

3515H_US_FL(AC02158) TRACTOR

Parts Catalogue



CONTENTS

GROUP NO	GROUP NAME	PAGE
G. ENGINE		
A01_004	CYLINDER BLOCK	4
A02_005	DRIVE PULLY	6
A03_002	CRANK SHAFT PULLEY	8
A04_004	GLOW PLUG ASS'Y OPTION	10
A05_003	CRANK SHAFT ASS'Y OPTION	12
A06_002	BREATHER OPTION	14
A07_002	CAMSHAFT	16
A08_003	ALTERNATOR	18
A09_003	COOLING WATER PUMP	20
A10_003	COOLING FAN SPACER	22
A11_005	INJECTOR	24
A12_006	FUEL INJECTON	26
A13_002	PLUMBING, FUEL	28
A14_001	FUEL FILTER BRACKET	30
A16_018	FUEL FILTER ASS'Y OPTION	32
A17_005	INTAKE MANIFOLD ASS'Y OPTION	34
A18_005	FLYWHEEL	36
A19_005	FLYWHEEL HOUSING	38
A20_007	HEAD, CYLINDER	40
A21_002	HEAD COVER	42
A23_003	TURBOCHARGER SUPPORT ASS'Y OPTION	44
A26_001	COOLER, ENGINE OIL	46
A27_004	OIL PAN ASS'Y OPTION	48
A28_001	PUMP, LUBRICATING OIL	50
A29_005	FILTER, LUBRICATING OIL	52
A30_003	FRONT GEAR ACCESSORY DRIVE	54
A31_003	PISTON	56
A32_002	LEVER, LOCKER	58
A33_006	EXHAUST MANIFOLD	60
A35_002	IDLE GEAR	62
A36_002	COVER, FRONT GEAR	64
A38_004	GAUGE, OIL LEVEL	66
A39_001	OIL FILLER CAP	68
A40_003	LIFT ASS'Y OPTION	70

CONTENTS

GROUP NO	GROUP NAME	PAGE
G. ENGINE		
A42_003	MOTER, STARTIONS	72
A43_001	DPF SUPPORT OPTION	74
A44_003	DPF MOUNTING OPTION	76
A45_011	DPF	78
A48_006	V-BELT	80
F. TRANSMISSION		
F01010-B	CLUTCH HOUSING	82
F01020	TRANSMISSION CASE	84
F01030	REAR AXLE HOUSING	86
F01050	HYD SHIFT TRANSMISSION HOUSING	88
F03040	RANGE SHIFT DRIVE SHAFT	90
F04010	FRONT DRIVE SHAFT	92
F05020	RING GEAR&DIFF.GEAR ASS'Y	94
F05020	RING GEAR&DIFF.GEAR ASS'Y	96
F06030	BRAKE	98
F07030	PTO DRIVE SHAFT	100
F07070	MAIN P.T.O SHAFT	102
F08060	FORK, PTO SHIFT	104
F10010	CASE, HYD CYLINDER	106
F10020	LIFT ARM	108
F10030	SAFETY VALVE	110
F10031	RELIEF VALVE	112
F10040	STOP VALVE	114
F10061	DRAFT/POSITION CONTROL LEVER	116
F10063	DRAFT CONTROL LEVER	118
F10064	POSITION CONTROL LEVER	120
F11020	LEVER ASS'Y, RANGE SHIFT	122
F11060	DIFF. LOCK PEDAL	124
F11080	4WD LEVER	126

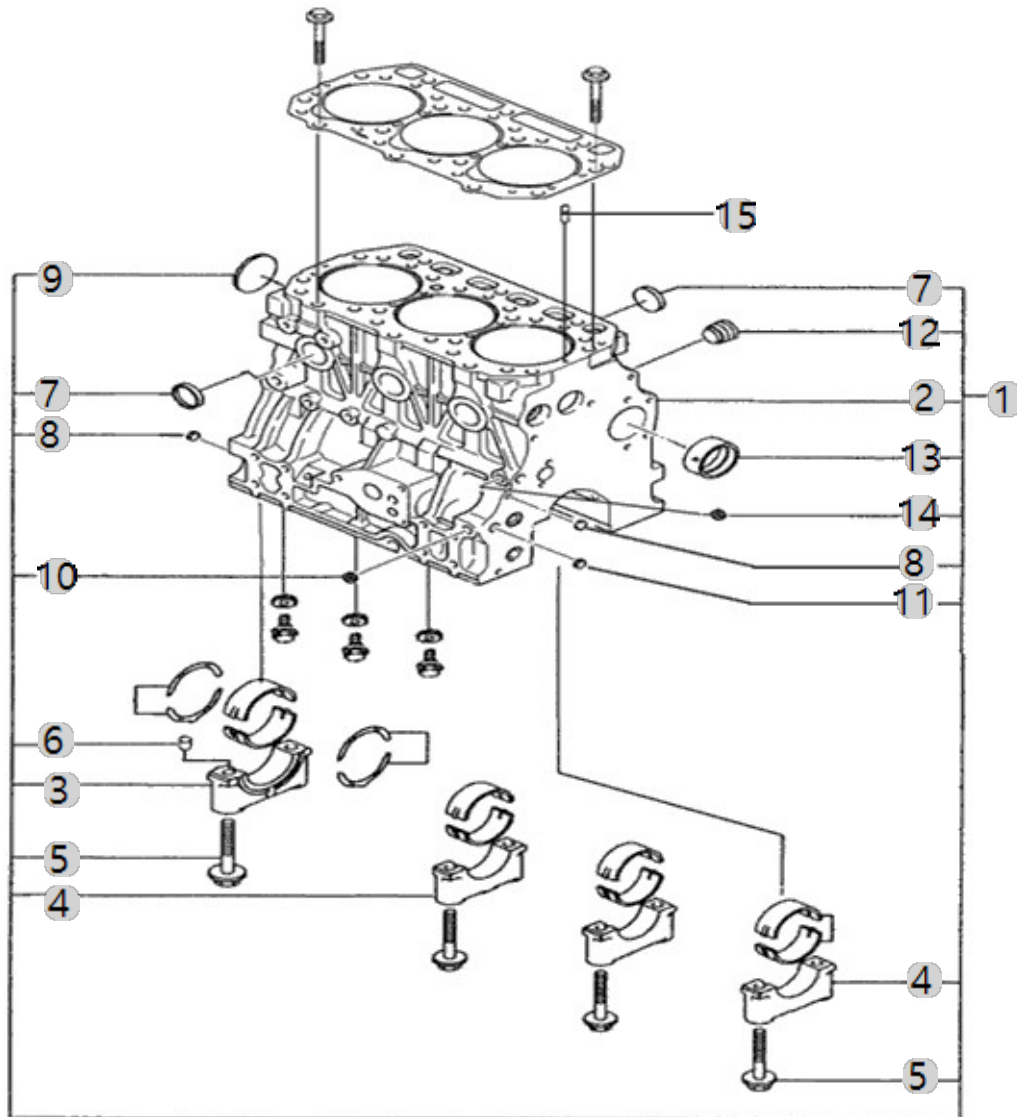
A01_004

A1700N4-UTR_4
(AB00210)

CYLINDER BLOCK

Year/Month

2022-12-15



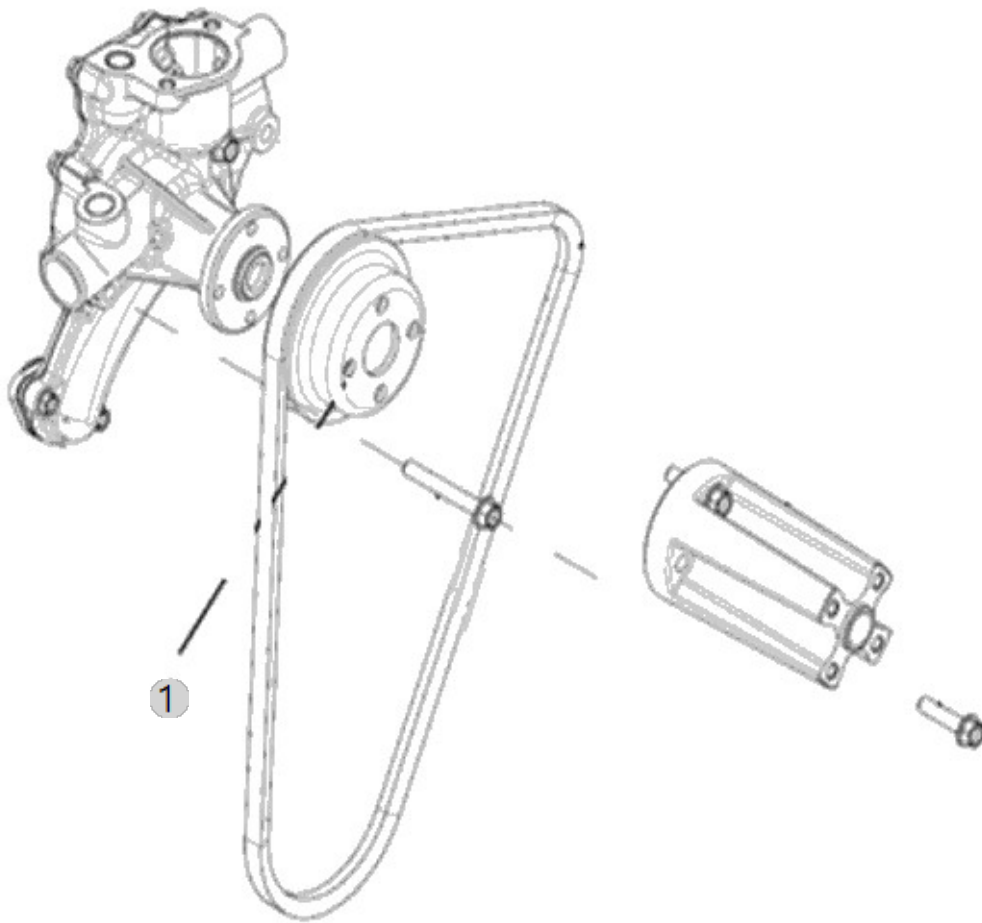
A02_005

A1700N4-UTR_4
(AB00210)

DRIVE PULLEY

Year/Month

2022-12-15



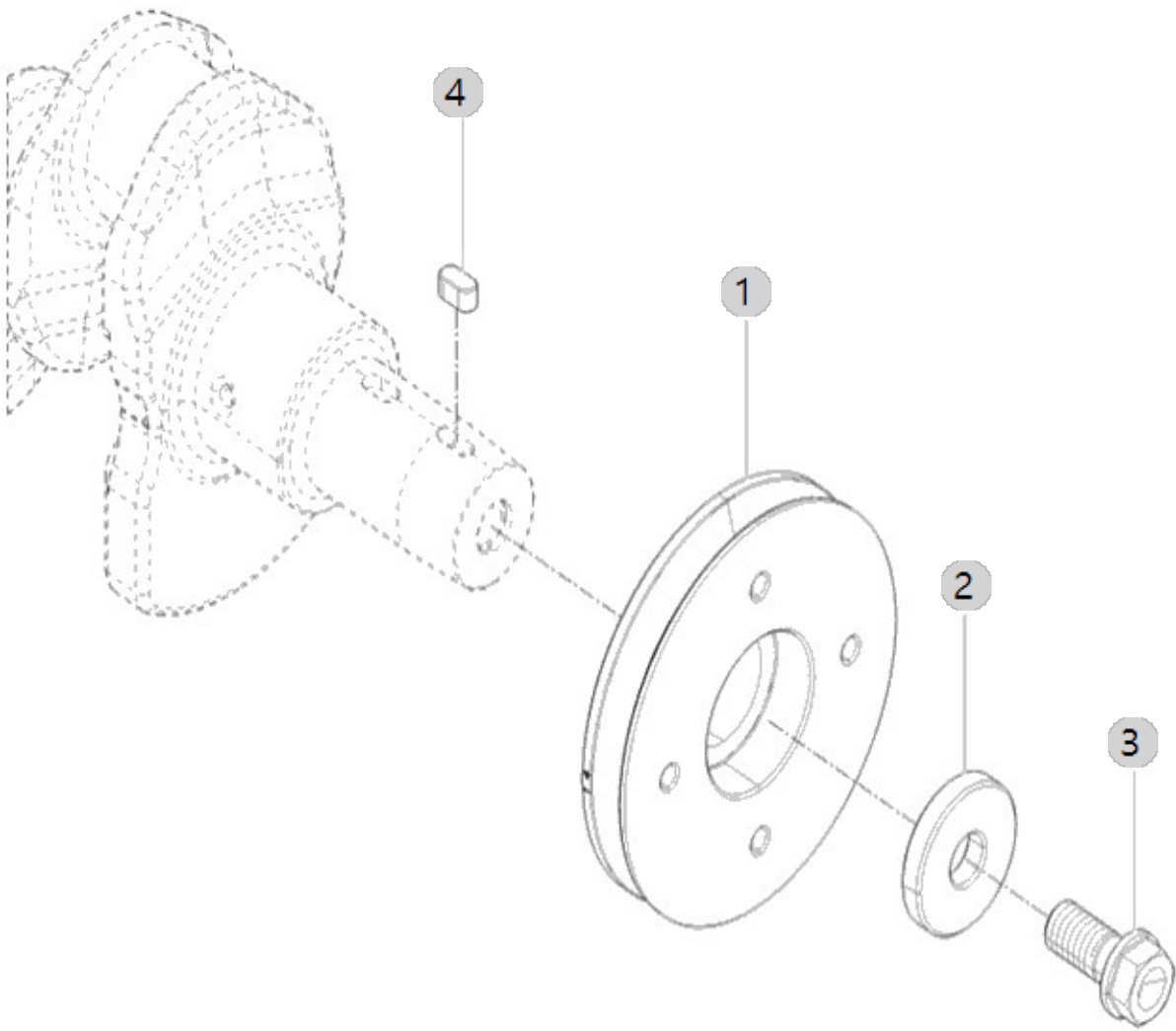
A03_002

A1700N4-UTR_4
(AB00210)

CRANK SHAFT PULLEY

Year/Month

2022-12-15



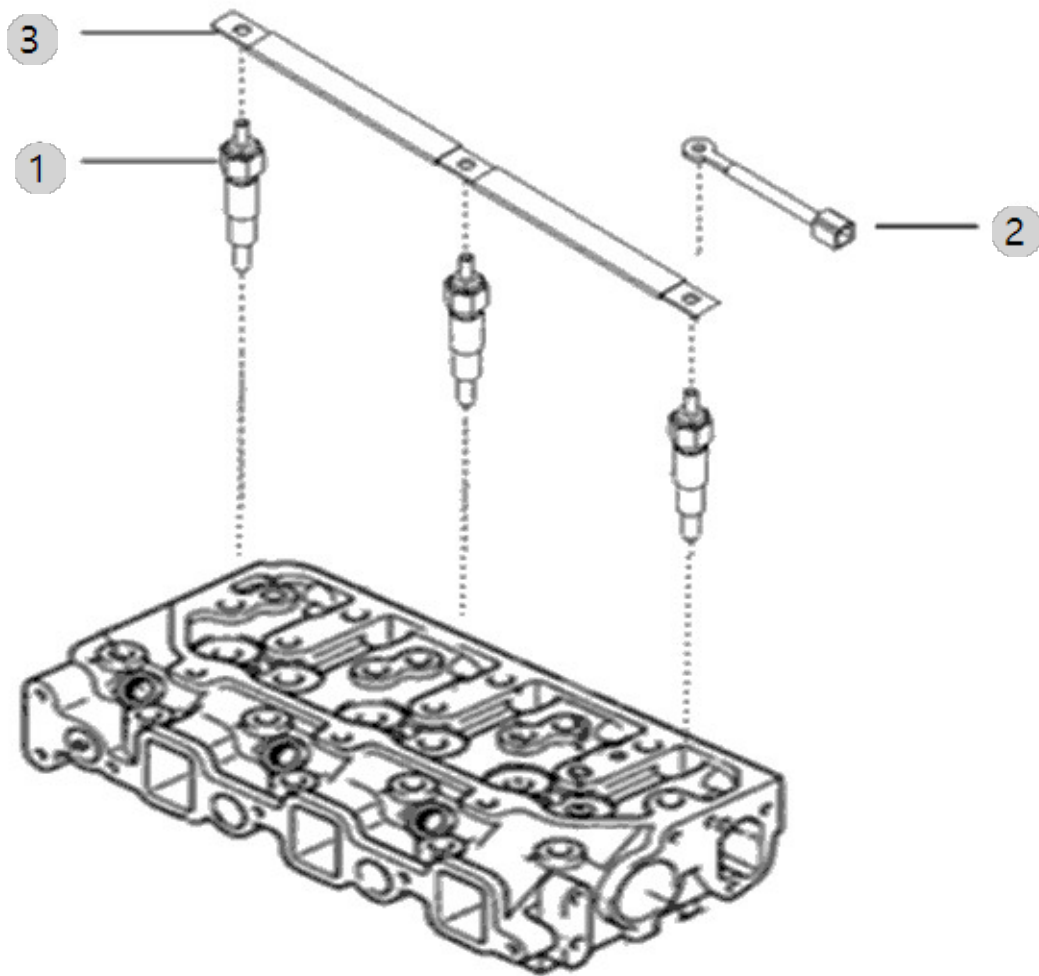
A04_004

A1700N4-UTR_4
(AB00210)

GLOW PLUG ASS'Y OPTION

Year/Month

2022-12-15



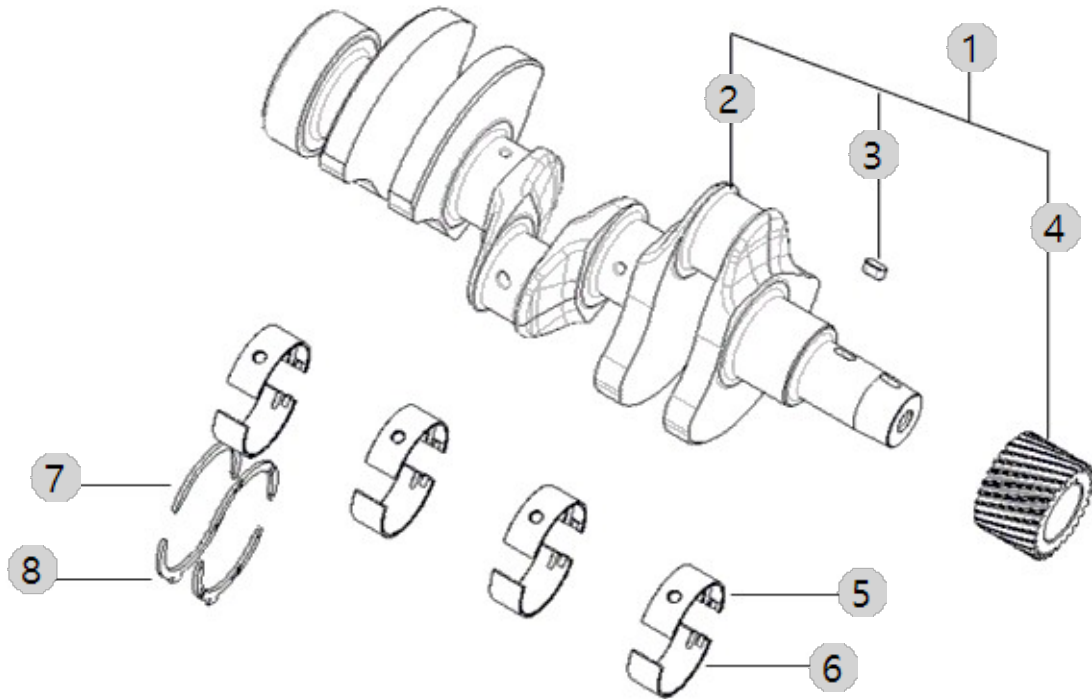
A05_003

A1700N4-UTR_4
(AB00210)

CRANK SHAFT ASS'Y OPTION

Year/Month

2022-12-15



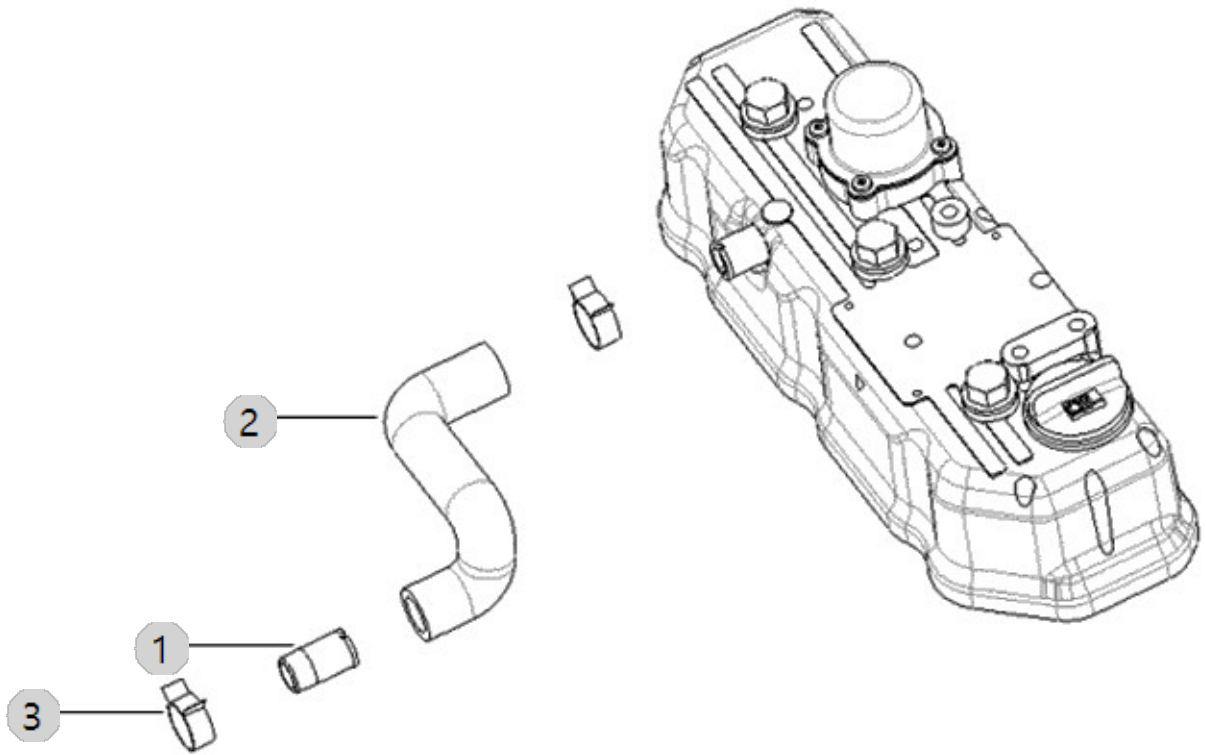
A06_002

A1700N4-UTR_4
(AB00210)

BREATHER OPTION

Year/Month

2022-12-15



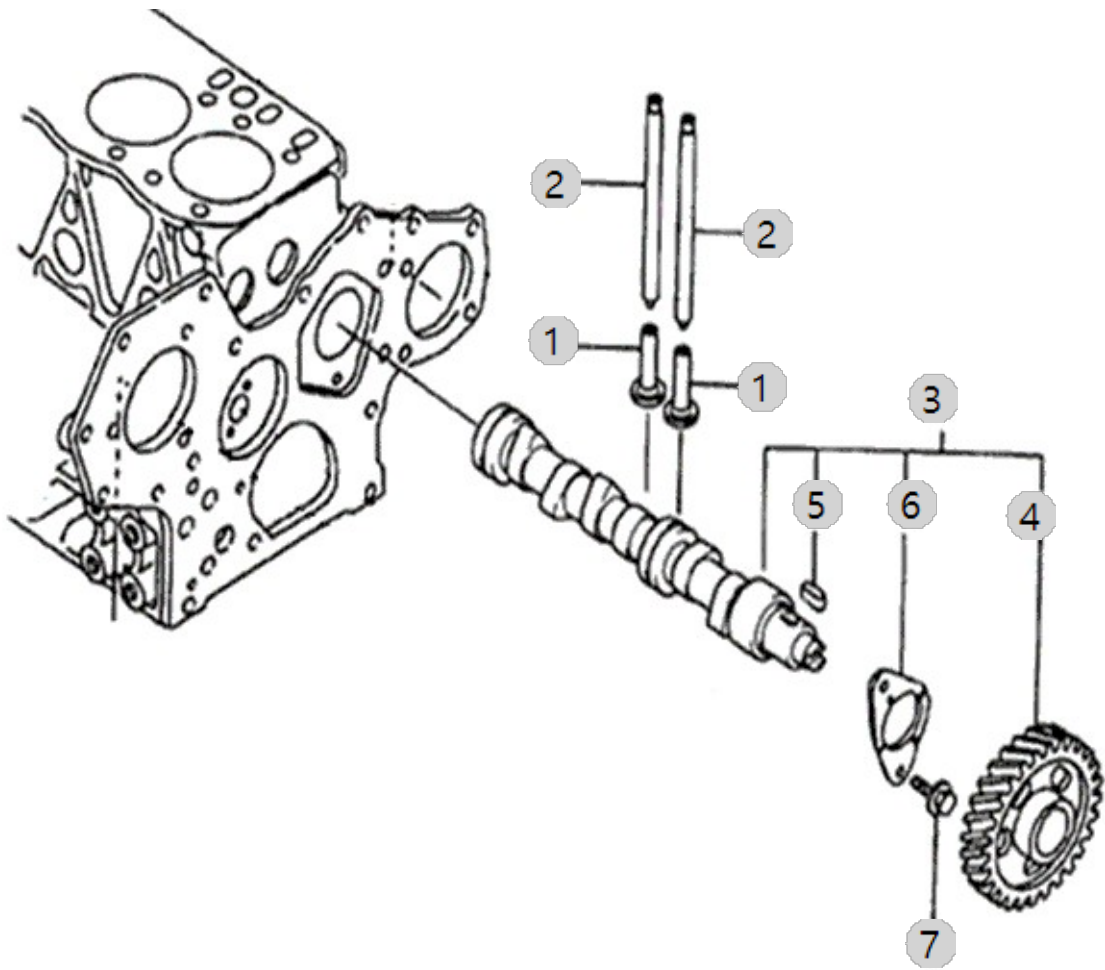
A07_002

A1700N4-UTR_4
(AB00210)

CAMSHAFT

Year/Month

2022-12-15



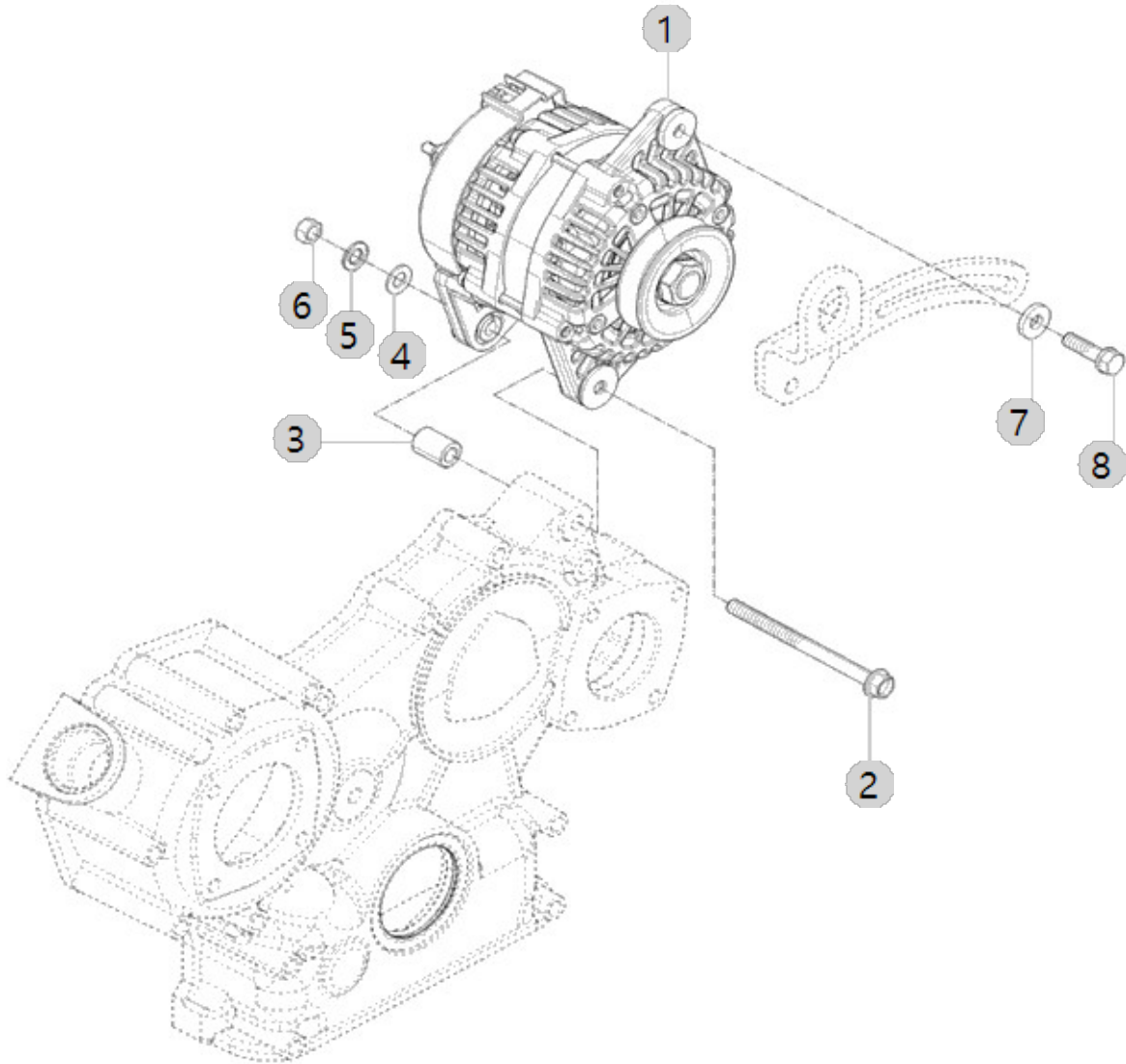
A08_003

A1700N4-UTR_4
(AB00210)

ALTERNATOR

Year/Month

2022-12-15



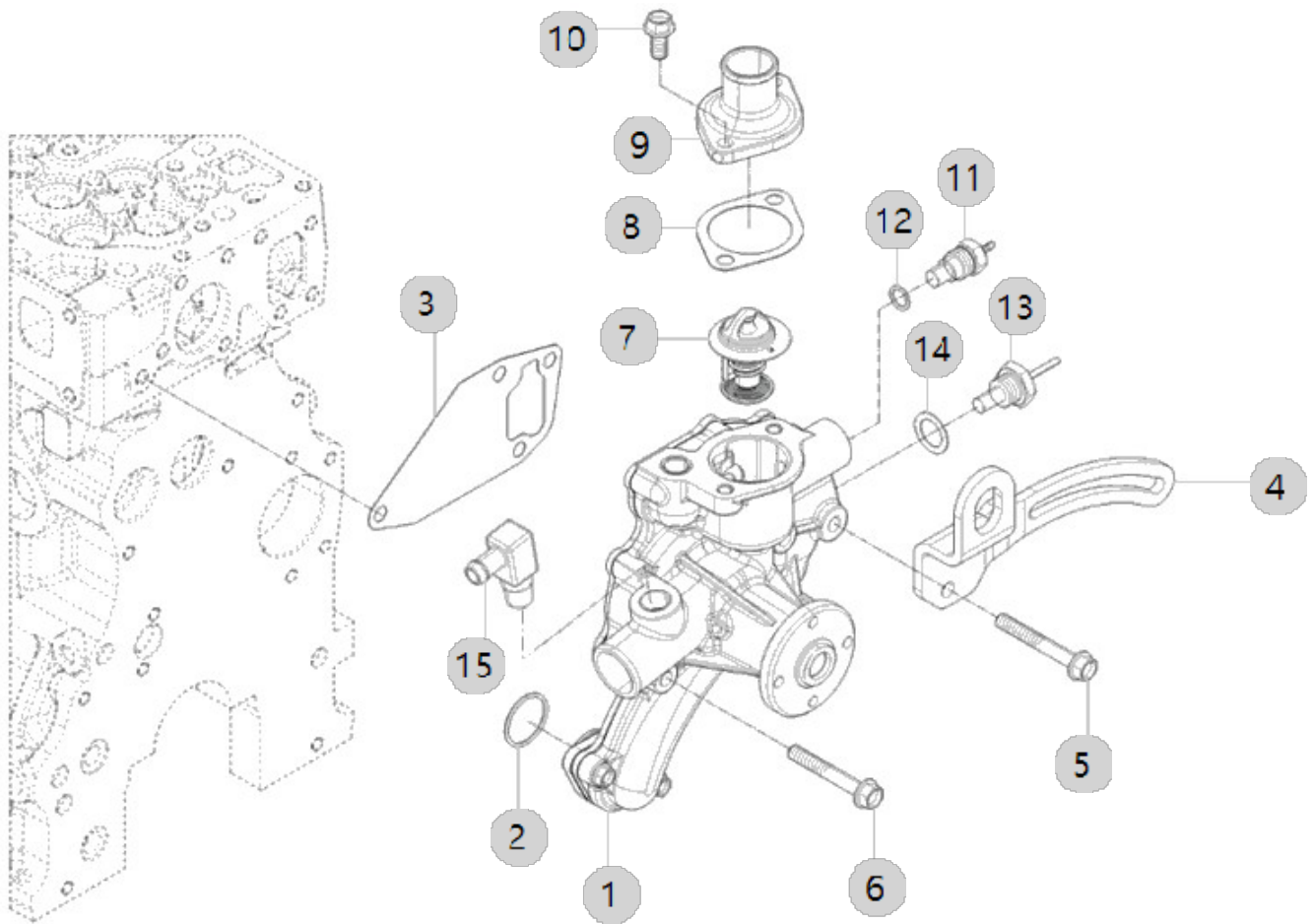
A09_003

A1700N4-UTR_4
(AB00210)

COOLING WATER PUMP

Year/Month

2022-12-15



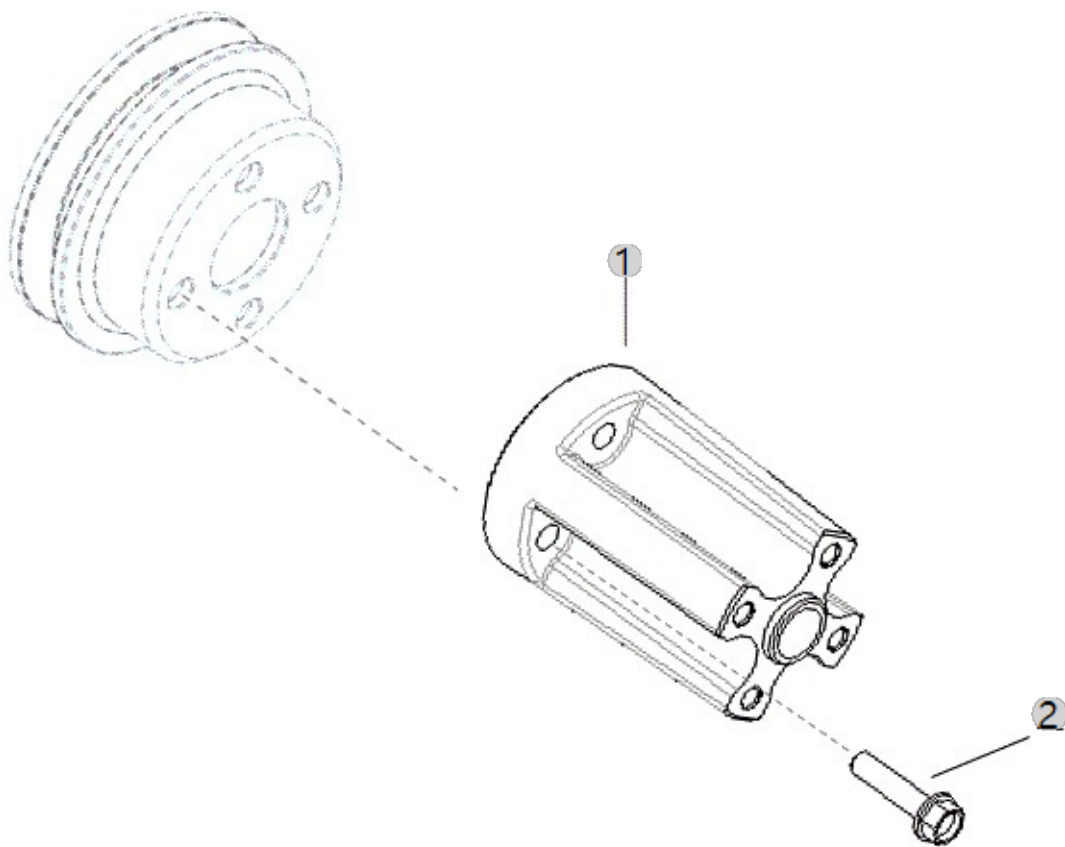
A10_003

A1700N4-UTR_4
(AB00210)

COOLING FAN SPACER

Year/Month

2022-12-15



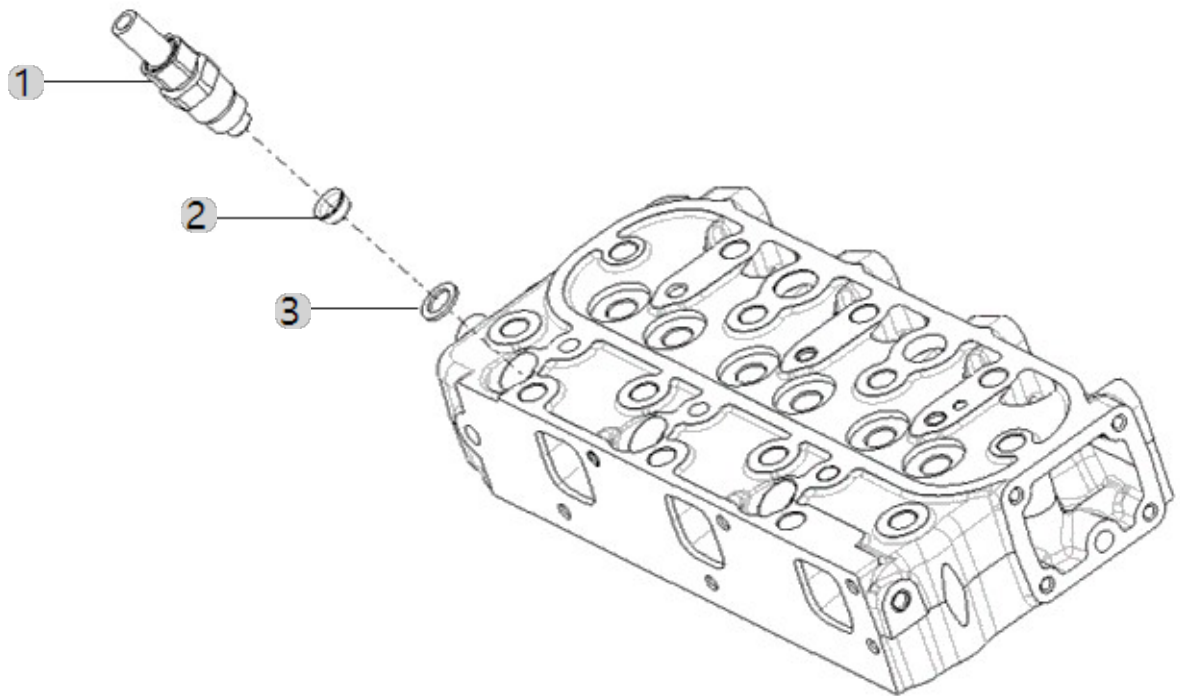
A11_005

A1700N4-UTR_4
(AB00210)

INJECTOR

Year/Month

2022-12-15



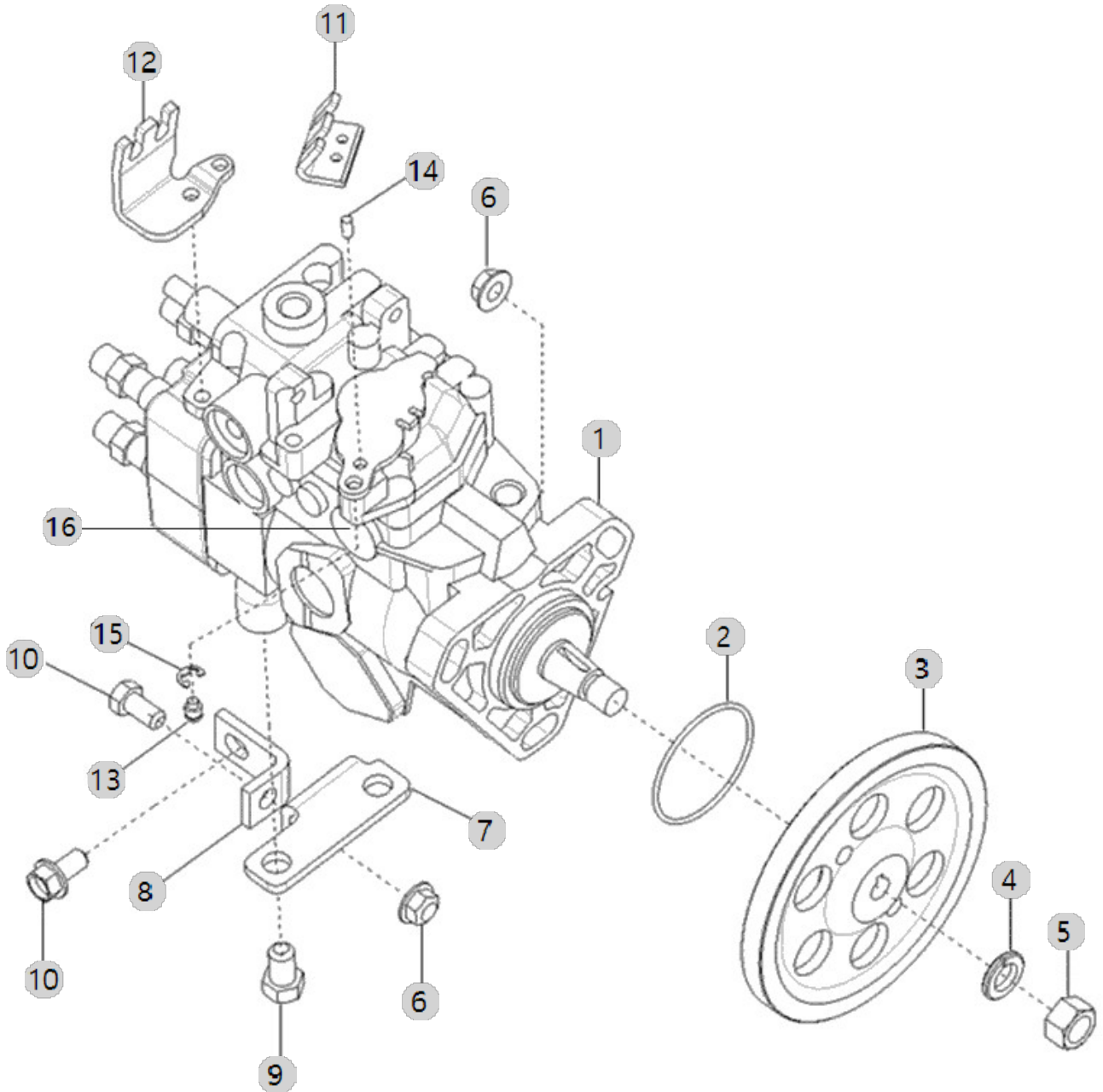
A12_006

A1700N4-UTR_4
(AB00210)

FUEL INJECTOR

Year/Month

2022-12-15



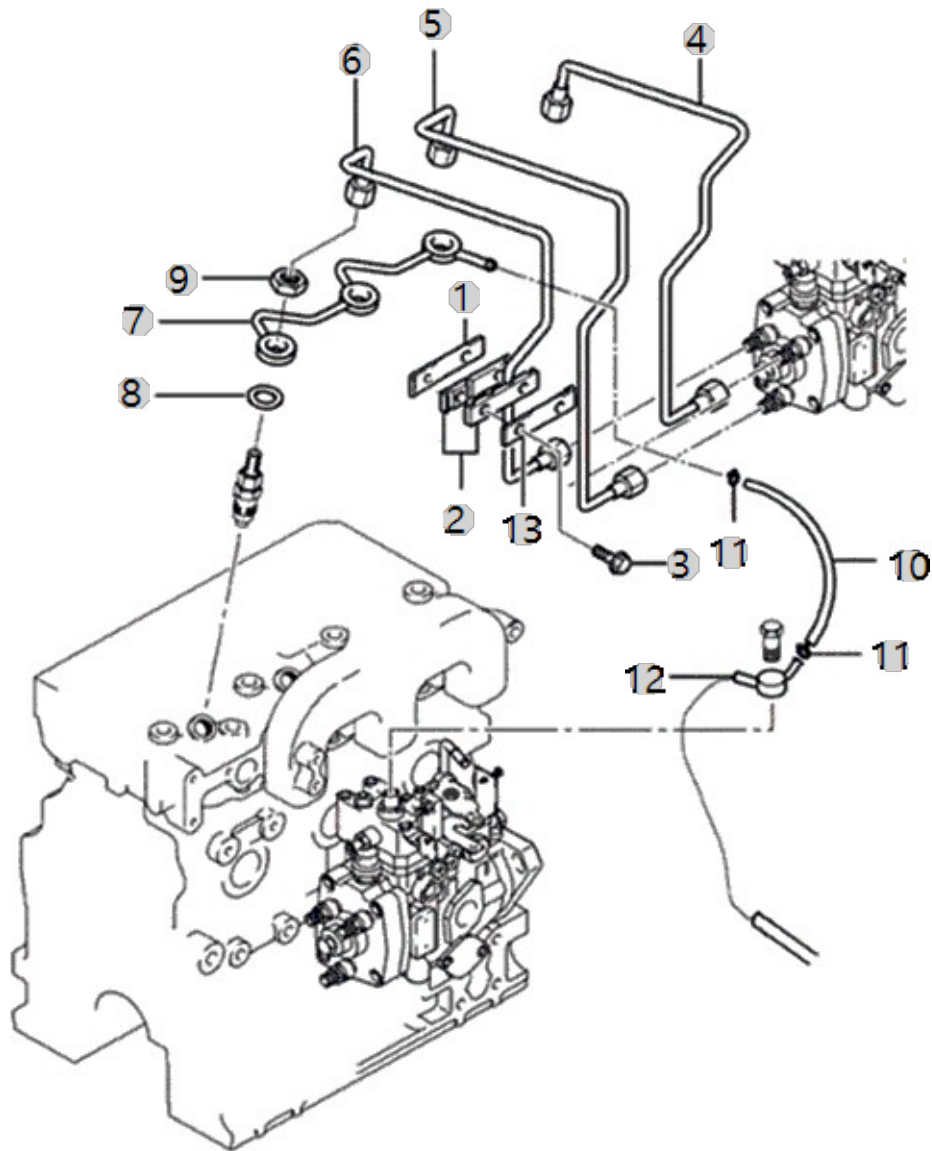
A13_002

A1700N4-UTR_4
(AB00210)

PLUMBING, FUEL

Year/Month

2022-12-15



A13_002 A1700N4-UTR_4 (AB00210)	PLUMBING, FUEL	Year/Month
		2022-12-15

순번 (NO)	부품번호 (PART NO)	품명 (PART NAME)	품명 (PART NAME)	수량 (QTY)	규격 (SPEC)	비고 (REMARK)
1	HA13240000B4	리테이너 커버	CLAMP,TUBE	1		
1	HA13240000C4	리테이너 커버	CLAMP,TUBE	1		
2	HA13230000A4	리테이너	BRACKET,FUELPLUMBING	2		
3	26106-060182	434,A22,육각플랜지볼트	Bolt, Hexa (6-18)	2	M6X1.0X18	
4	HRD150050DB0	연료파이프조합(A)	TUBE, INJECTOR FUEL SUPPLY	1		
4	HRD150050DA0	523,A1417,연료파이프조합(A)	TUBE,INJECTORFUELSUPPLY	1		
5	HRD150060DB0	연료파이프조합(B)	TUBE, INJECTOR FUEL SUPPLY	1		
5	HRD150060DA0	524,A1417,연료파이프조합(B)	TUBE,INJECTORFUELSUPPLY	1		
6	HRD150070DA0	525,A1417,연료파이프조합(C)	TUBE,INJECTORFUELSUPPLY	1		
6	HRD150070DB0	연료파이프조합(C)	TUBE, INJECTOR FUEL SUPPLY	1		
7	HRD1500900D3	퇴유파이프조합	MANIFOLD, FUEL	1		
7	HRD1500900C3	퇴유파이프조합	PIPE, FUEL RETURN	1		
8	HK13440000A4	306,ALL,패킹(조인트)(와류실)	GASKET,FUELMANIFOLD	3		
9	HK13450000A4	육각고정너트	NUT,REGULARHEXAGON	3	M12X1.5	
10	EA00000700A	퇴유호스	TUBE, FUEL DRAIN	1	NONE	
11	EA00006187A	Cobra클램프(Ø11)	COBRA CLAMP	2		
12	HRA1502400D4	조인트	CONNECTOR, BANJO	1		
12	HRA1502400C4	조인트	CONNECTOR, BANJO	1		
13	HA13250000A4	751,1417,파이프리테이너	CLAMP,TUBE	1	T3.2X25X50	
13	HA13250000B4	리테이너커버	CLAMP, TUBE	1	T3.2X25X50	

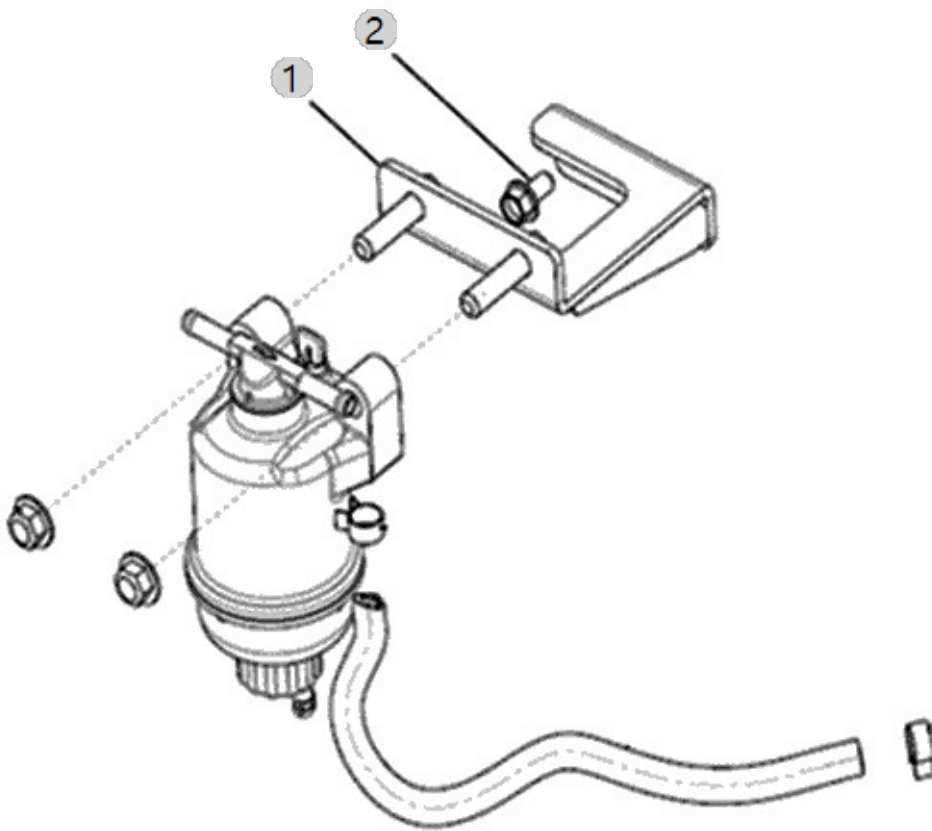
A14_001

A1700N4-UTR_4
(AB00210)

FUEL FILTER BRACKET

Year/Month

2022-12-15



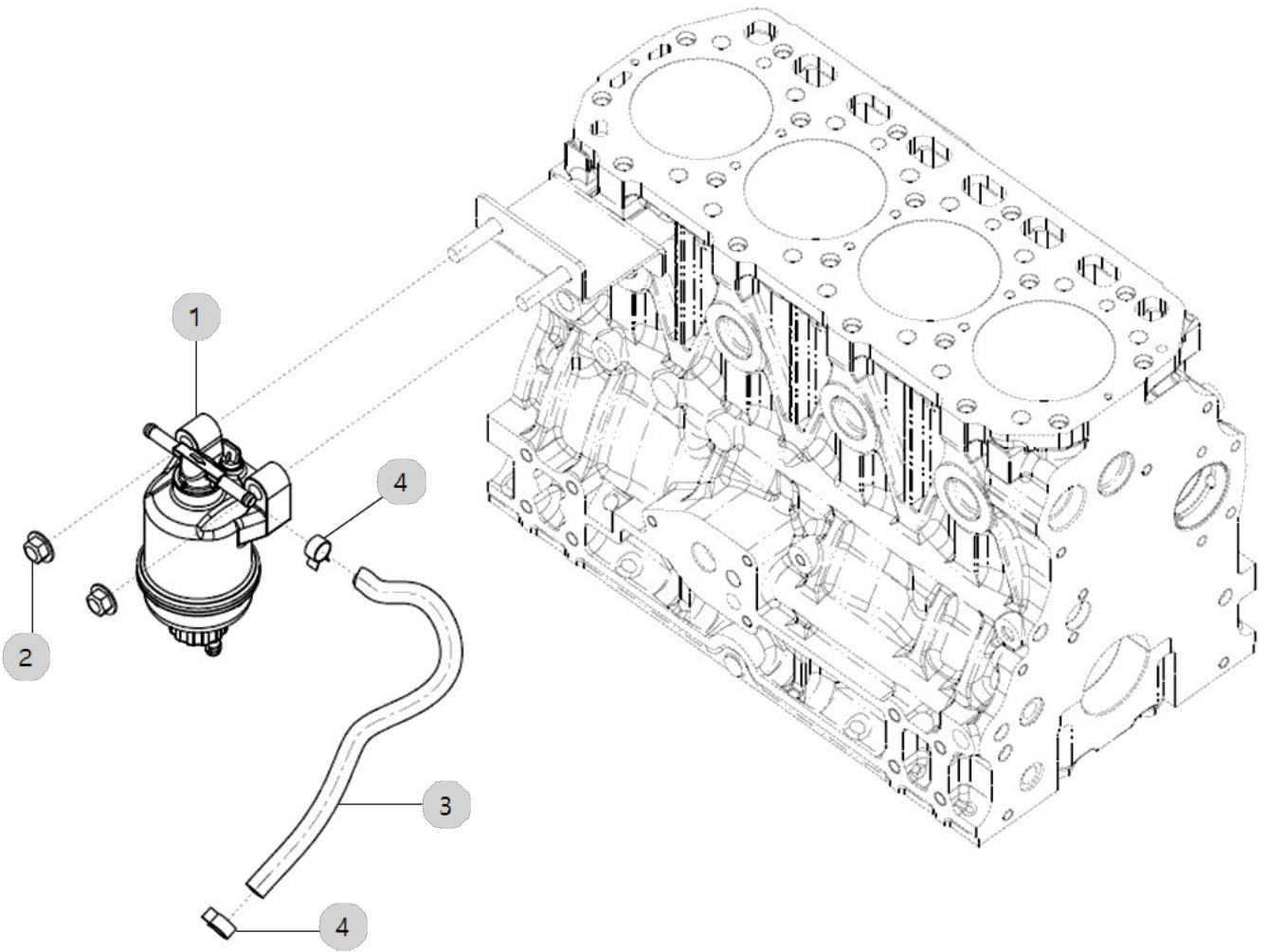
A16_018

A1700N4-UTR_4
(AB00210)

FUEL FILTER ASS'Y OPTION

Year/Month

2022-12-15



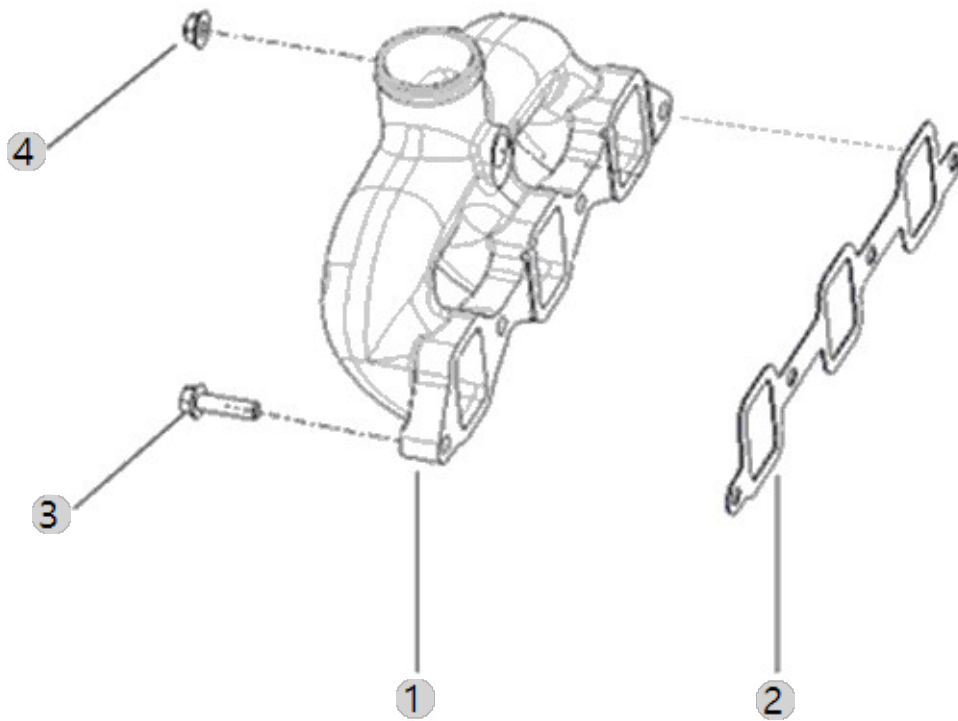
A17_005

A1700N4-UTR_4
(AB00210)

INTAKE MANIFOLD ASS'Y OPTION

Year/Month

2022-12-15



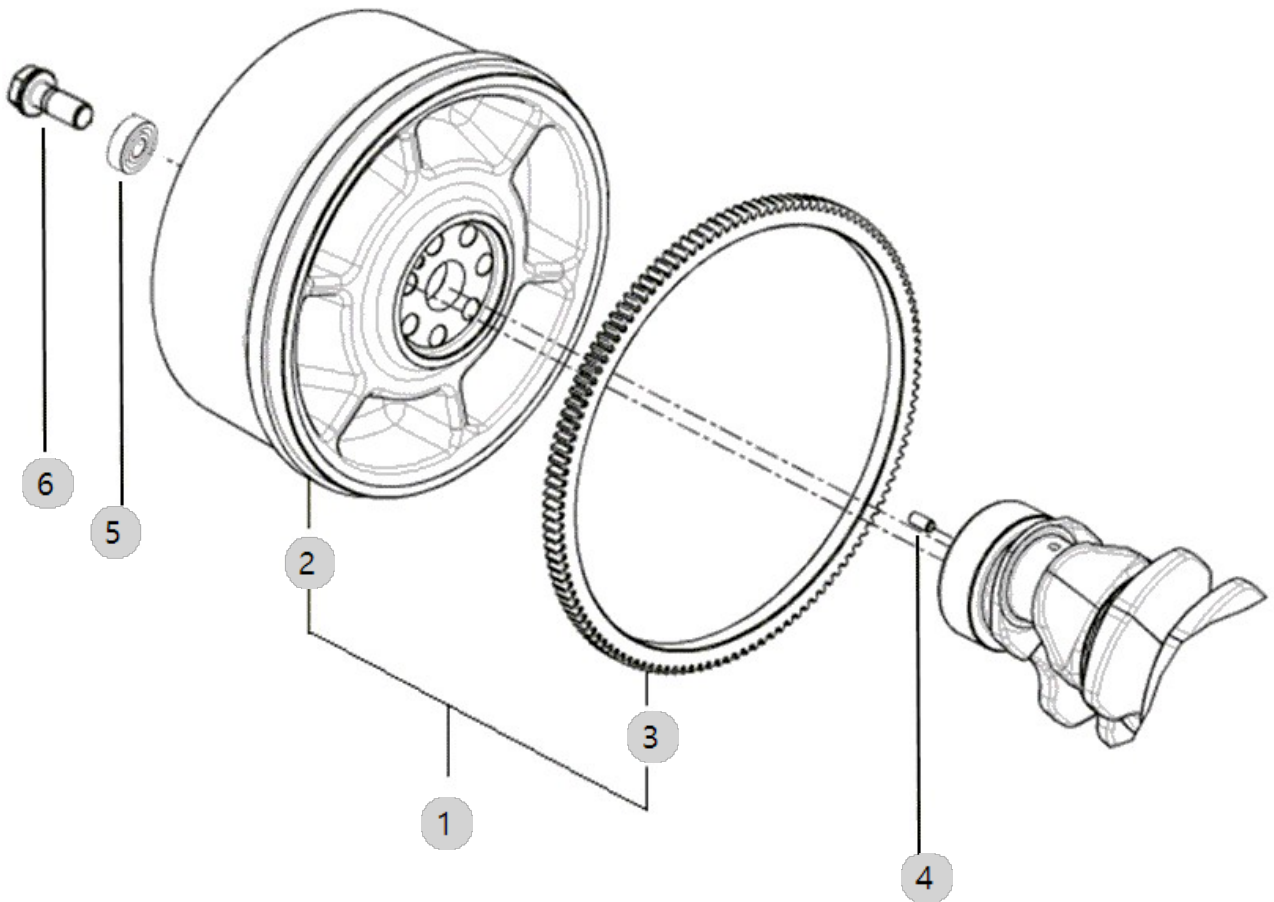
A18_005

A1700N4-UTR_4
(AB00210)

FLYWHEEL

Year/Month

2022-12-15



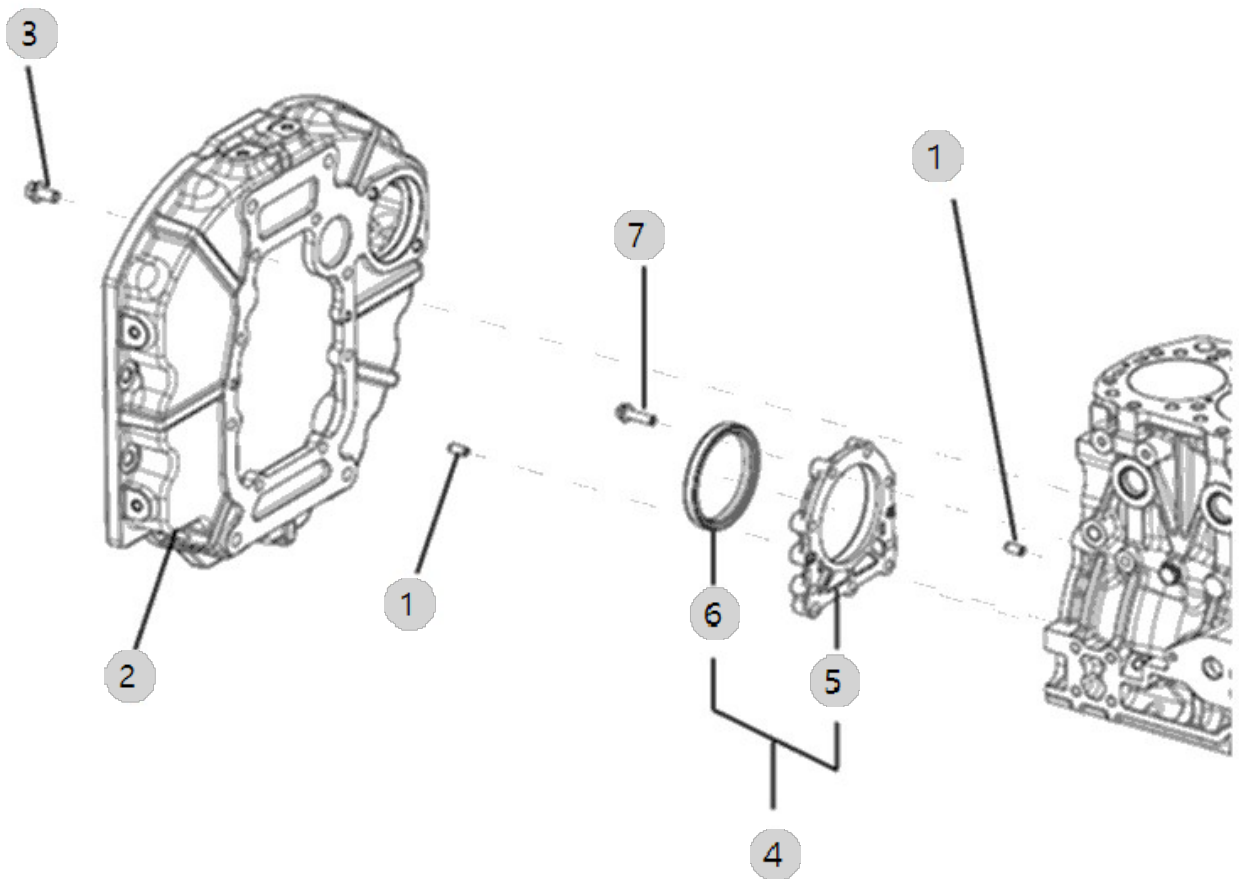
A19_005

A1700N4-UTR_4
(AB00210)

FLYWHEEL HOUSING

Year/Month

2022-12-15



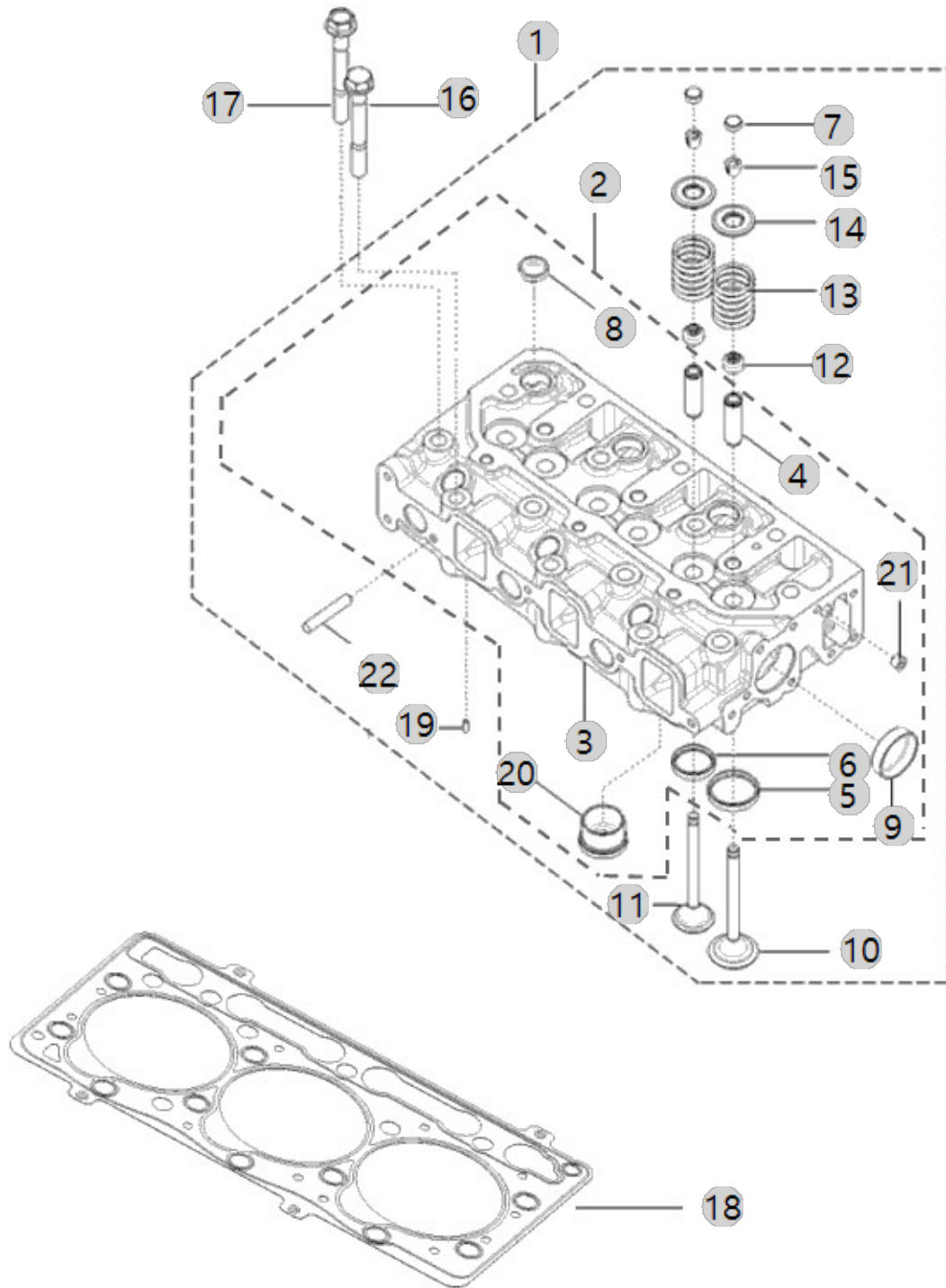
A20_007

A1700N4-UTR_4
(AB00210)

HEAD, CYLINDER

Year/Month

2022-12-15



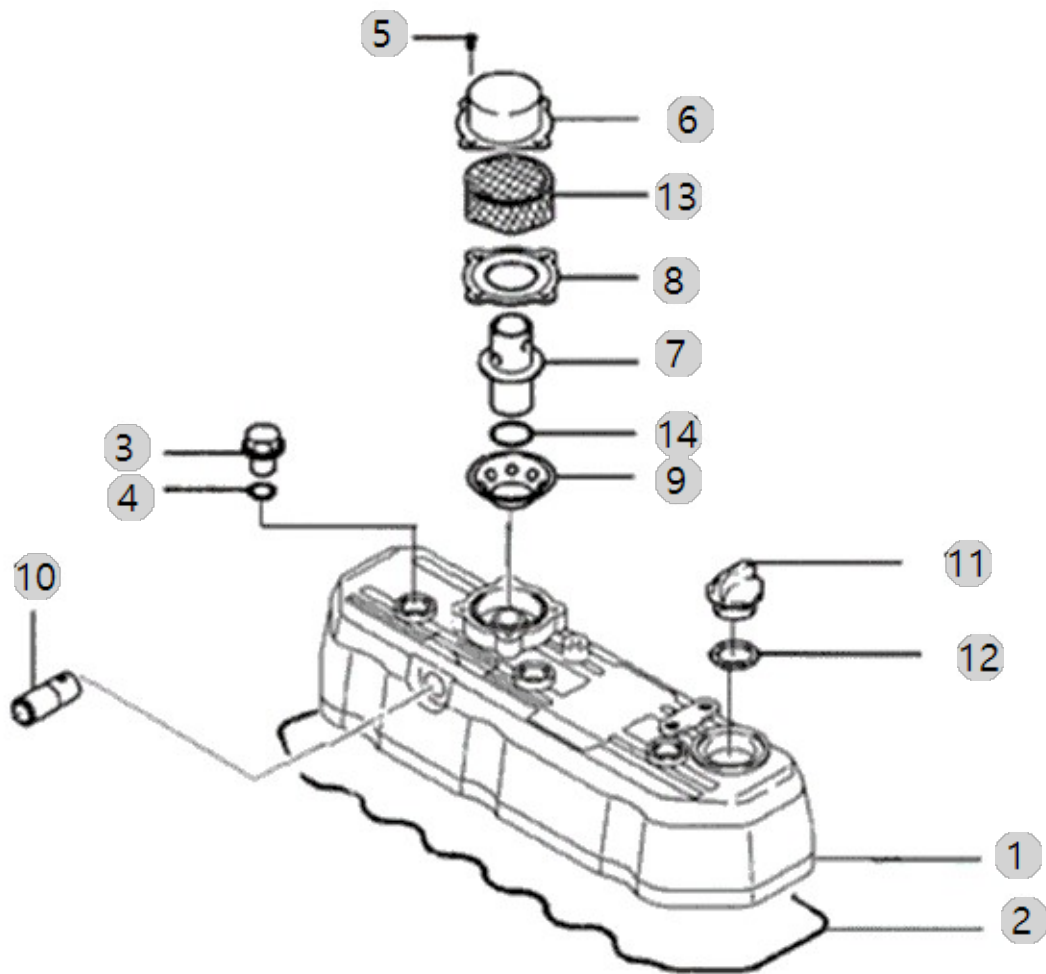
A21_002

A1700N4-UTR_4
(AB00210)

HEAD COVER

Year/Month

2022-12-15



A21_002 A1700N4-UTR_4 (AB00210)		HEAD COVER				Year/Month
						2022-12-15
순번 (NO)	부품번호 (PART NO)	품명 (PART NAME)	품명 (PART NAME)	수량 (QTY)	규격 (SPEC)	비고 (REMARK)
1	HRD0402300B0	헤드커버조합 - A1700	COVER,VALVE	1		
1	HRD0402300C0	헤드커버	COVER, VALVE	1		
2	HRD0402400B3	헤드커버패킹 - A1700	PACKING,HEAD COVER	1		
3	HA03520000B4	440,ALL,상부커버캡	NUT,HEXAGONCAP	3		
4	24311-000140	441,ALL,O-RINGP-14	O-RING, DYNAMIC (Φ14)	3	P14	
5	26587-040102	245,ALL,스크로우(3X54X10)	SCREW,FILLISTERHEADCAP	4	M4X10	
6	HRA0403600A4	589,ALL,브리더커버	COVER,BREATHER	1	T1.2	
6	HRA0403600B4	브리더커버	COVER,BREATHER	1	T1.2	
7	HRA0403700A4	590,ALL,가이드조합	Valve, Pressure Relief	1		
7	HRA0403700B4	가이드조합	VALVE,PRESSURE RELIEF	1		
8	HRA0403800A4	브리더 커버 가스켓	GASKET,BREATHER	1	T0.5	
9	HRA0403900A4	592,ALL,브리더조절판	PLATE,BREATHERADJUSTING	1	T1.2	
9	HRA0403900B4	브리더조절판	PLATE,BREATHER ADJUSTING	1	T1.2	
10	HRA0404000A4	597,A14172023,연결관	TUBE,BREATHER	1	D17.3XT2.3	
11	HC03470000B4	급유구	CAP,FILTER	1		
12	24311-000320	O링(P형)	O-RING, DYNAMIC (Φ32)	1	P32	
13	HC03720000B4	배플	BAFFLE	1	17MMX155M	
14	24341-000160	O-링(S형)	O-RING, FIX (Φ16)	1	S10	

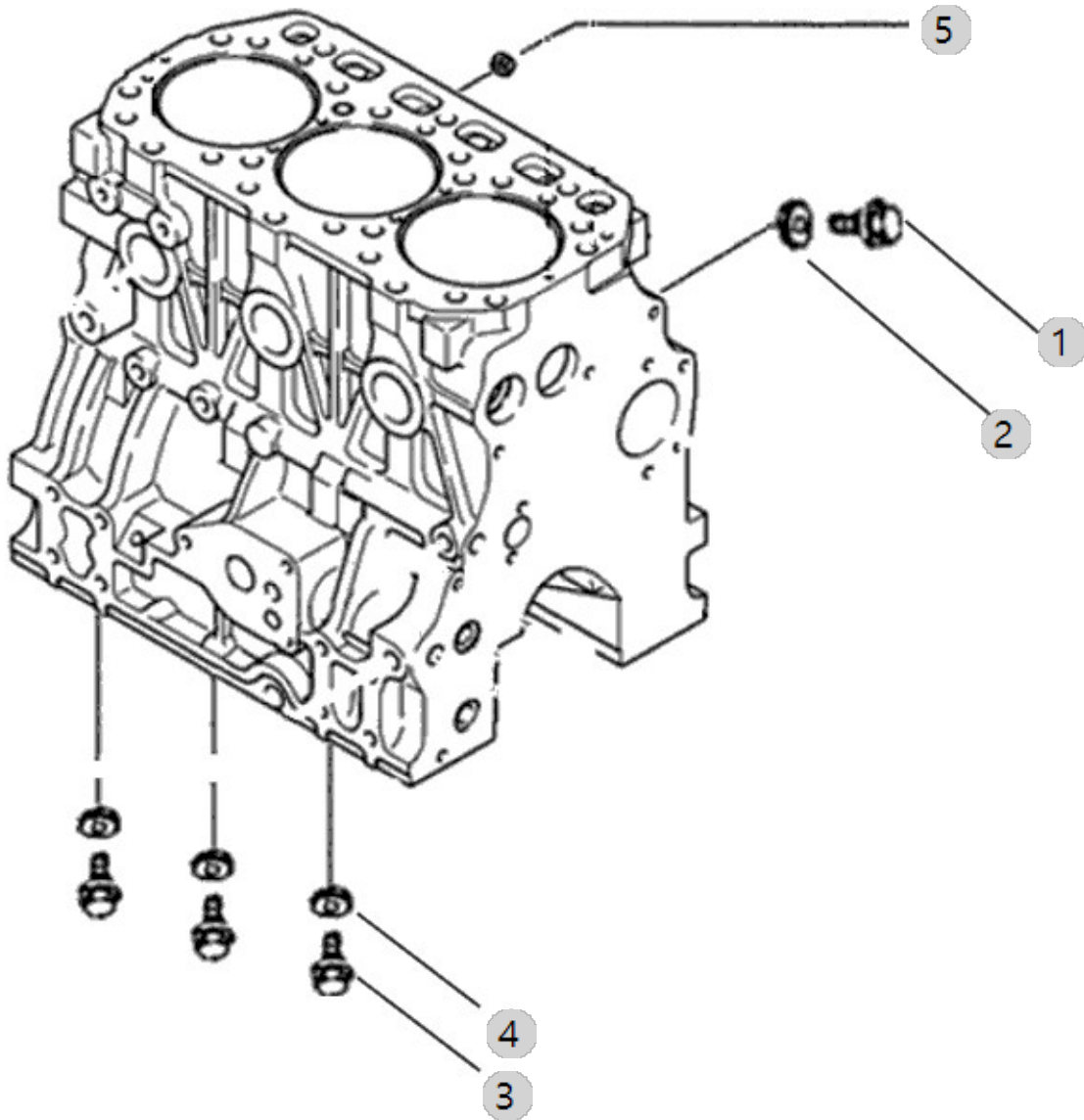
A23_003

A1700N4-UTR_4
(AB00210)

TURBOCHARGER SUPPORT ASS'Y OPTION

Year/Month

2022-12-15



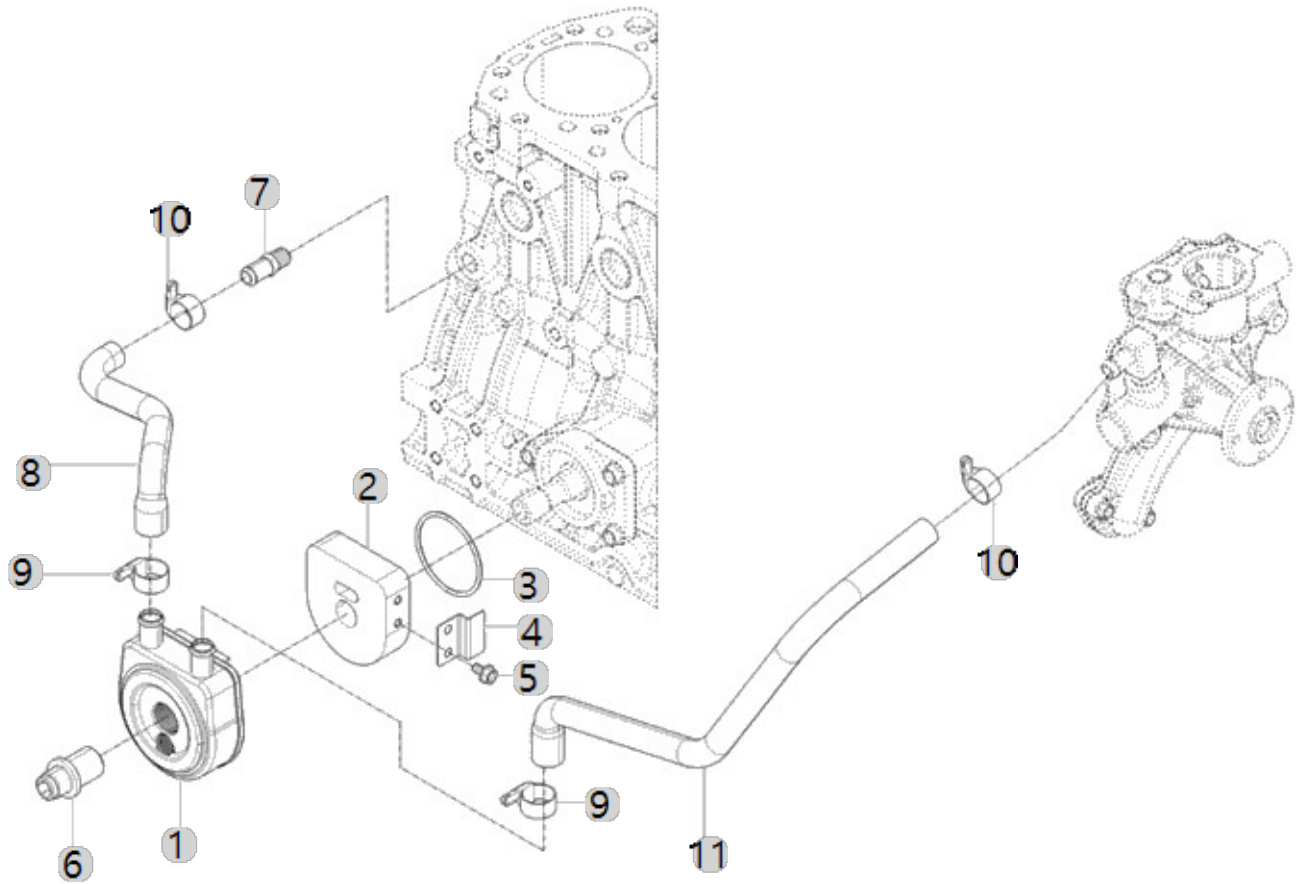
A26_001

A1700N4-UTR_4
(AB00210)

COOLER, ENGINE OIL

Year/Month

2022-12-15



A26_001 A1700N4-UTR_4 (AB00210)	COOLER, ENGINE OIL	Year/Month
		2022-12-15

순번 (NO)	부품번호 (PART NO)	품 명 (PART NAME)	품 명 (PART NAME)	수량 (QTY)	규격 (SPEC)	비고 (REMARK)
1	EA00000309A	오일쿨러	OIL COOLER ASSY	1		
2	EA00002818A	스페이서(오일쿨러)	SPACER(PRESSURE C.V)	1		
3	24321-000600	O-링1AG-60(국산)	SEAL,ORING	1	G60	
4	EA00002900B	보강브래킷(오일쿨러스페이서)	REINFORCEMENT BRACKET(COOLER SPACER)	1		
4	EA00002900A	보강브래킷(오일쿨러스페이서)	REINFORCEMENT BRACKET(COOLER SPACER)	1		
5	26106-060122	육각플랜지볼트	HEX BOLT (6-12)	2	M6XP1.0X12	
6	EA00000310A	볼트(오일쿨러)	BOLT, OIL COOLER	1		
7	HRC1204000A4	369,A22,조인트PT1/4	NIPPLE,PLAINPIPE	1	PT 1/4	
7	HRC1204000B4	조인트 PT 1/4	NIPPLE, PLAIN PIPE	1	D13.8XT2.3	
7	HRC1204000C4	조인트 PT 1/4	JOINT, PT 1/4	1	D13.8XT2.3	
8	EA00002854A	오일쿨러냉각호스A	COOLANT HOSE A, OIL COOLER	1		
9	EA00006186A	KALE클램프	KALE CLAMP	2		
10	EA00006186A	KALE클램프	KALE CLAMP	2		
11	EA00002902A	오일쿨러냉각호스B	LUB. COOLER COOLANT HOSE B	1		

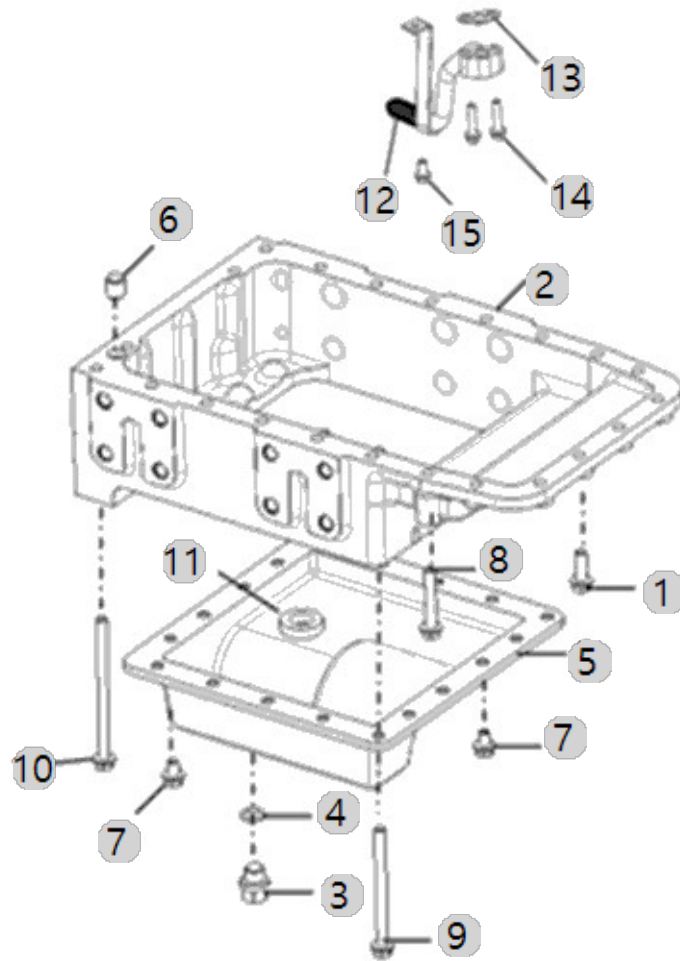
A27_004

A1700N4-UTR_4
(AB00210)

OIL PAN ASS'Y OPTION

Year/Month

2022-12-15



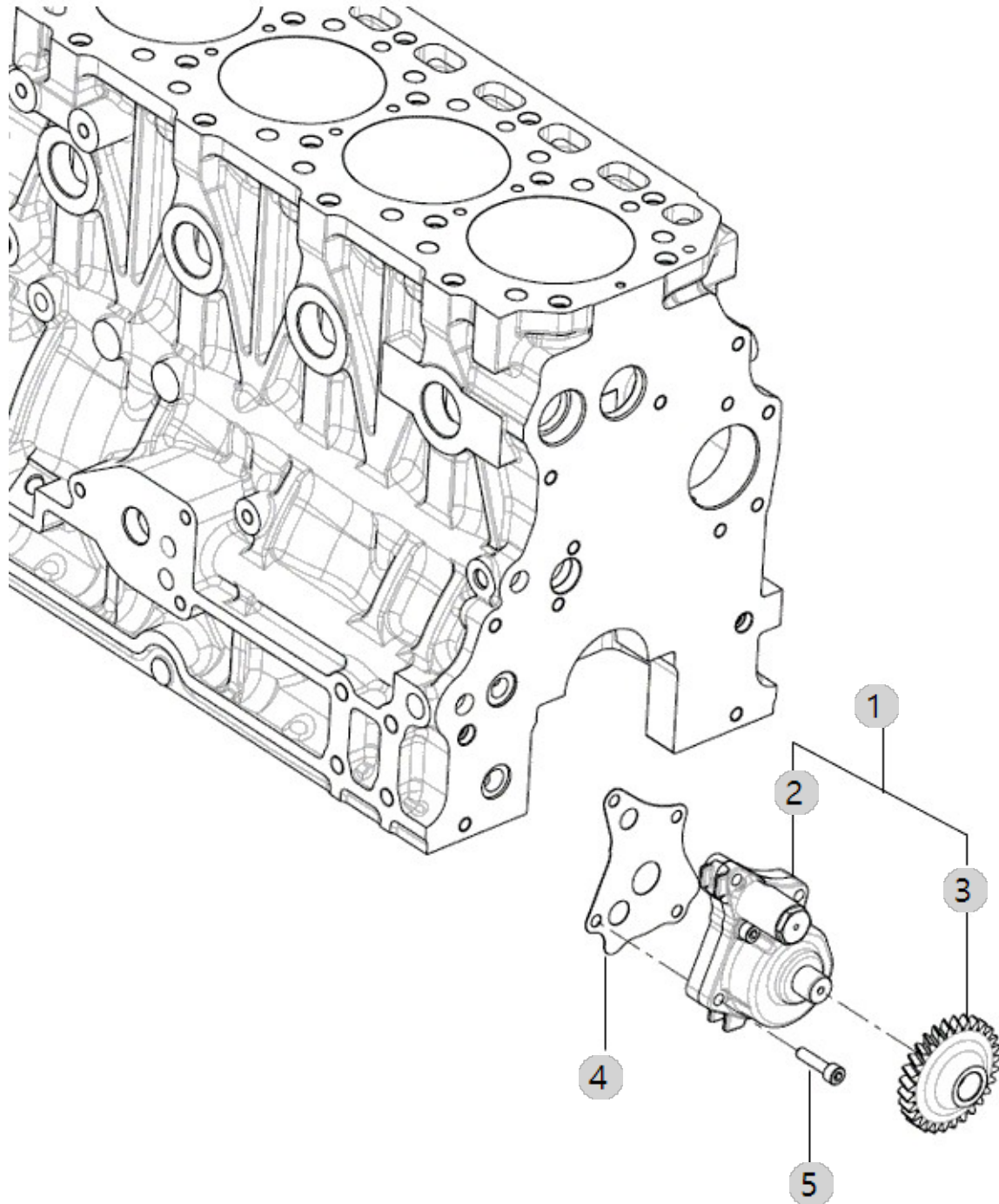
A28_001

A1700N4-UTR_4
(AB00210)

PUMP, LUBRICATING OIL

Year/Month

2022-12-15



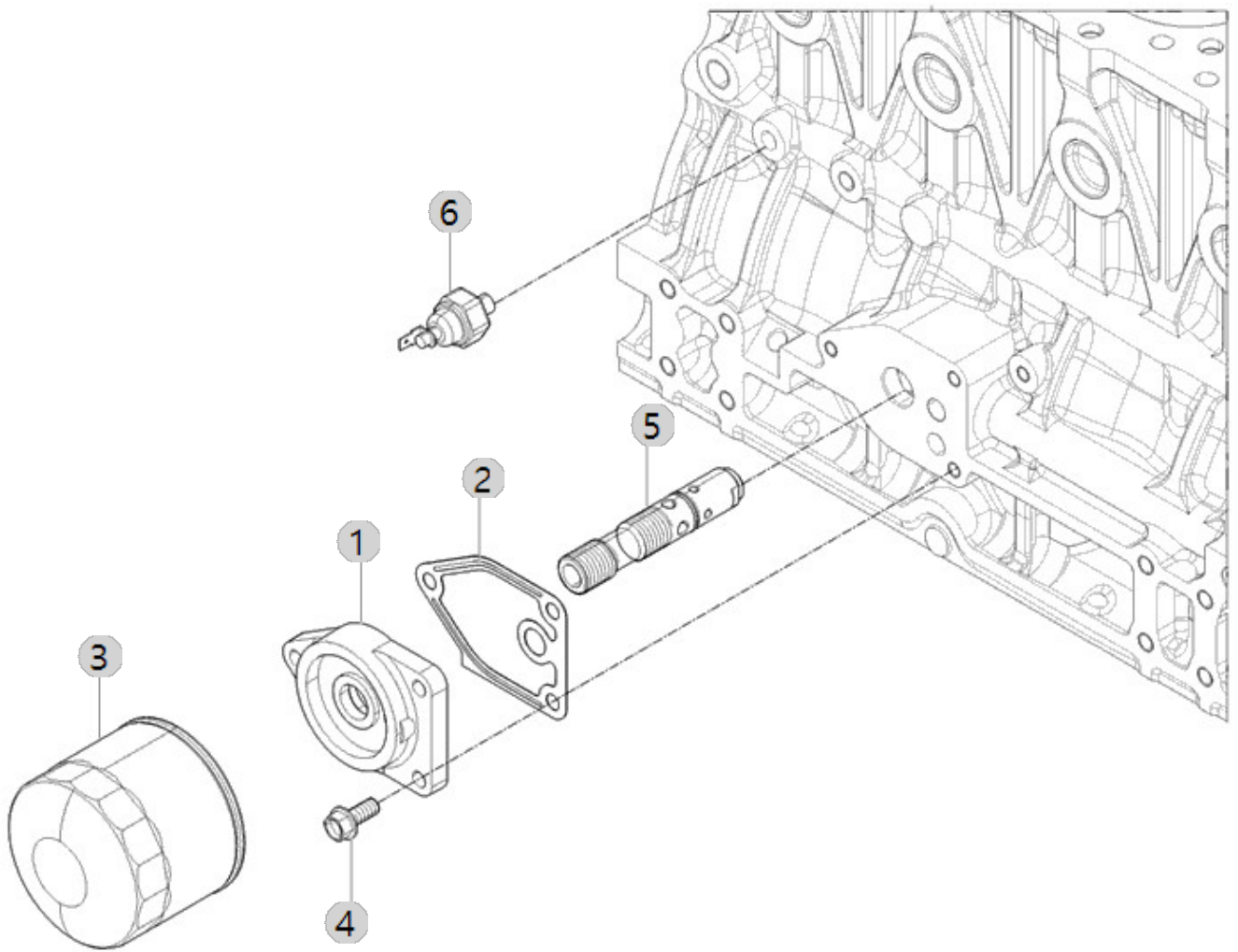
A29_005

A1700N4-UTR_4
(AB00210)

FILTER, LUBRICATING OIL

Year/Month

2022-12-15



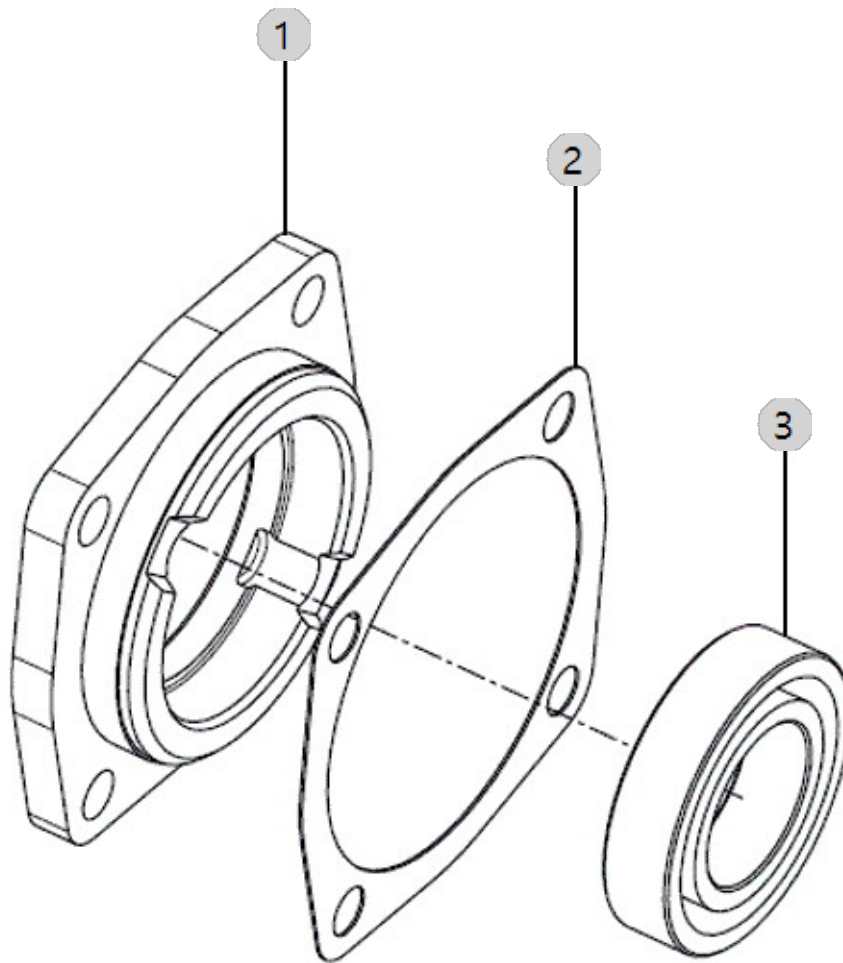
A30_003

A1700N4-UTR_4
(AB00210)

FRONT GEAR ACCESSORY DRIVE

Year/Month

2022-12-15



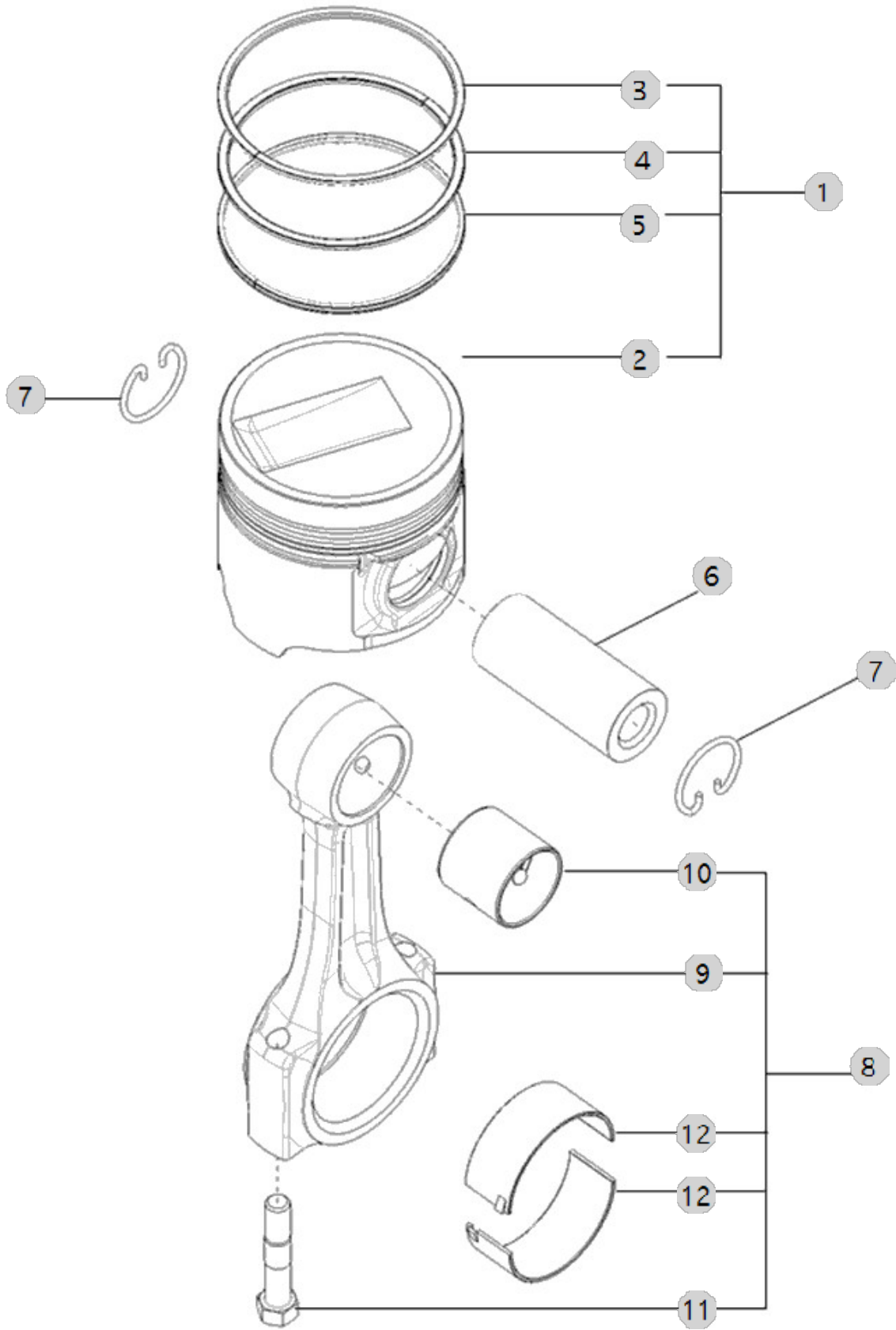
A31_003

A1700N4-UTR_4
(AB00210)

PISTON

Year/Month

2022-12-15



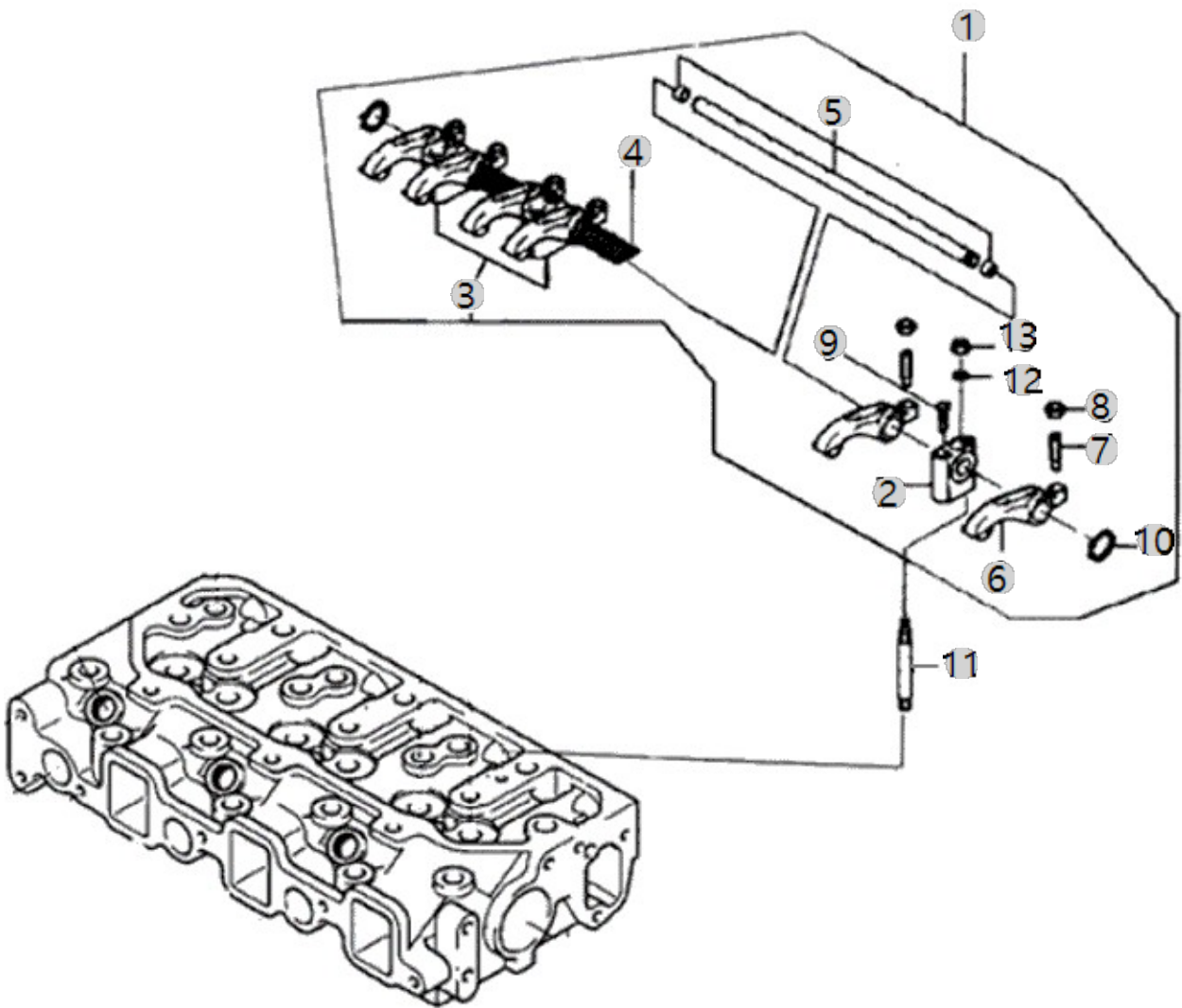
A32_002

A1700N4-UTR_4
(AB00210)

LEVER, LOCKER

Year/Month

2022-12-15



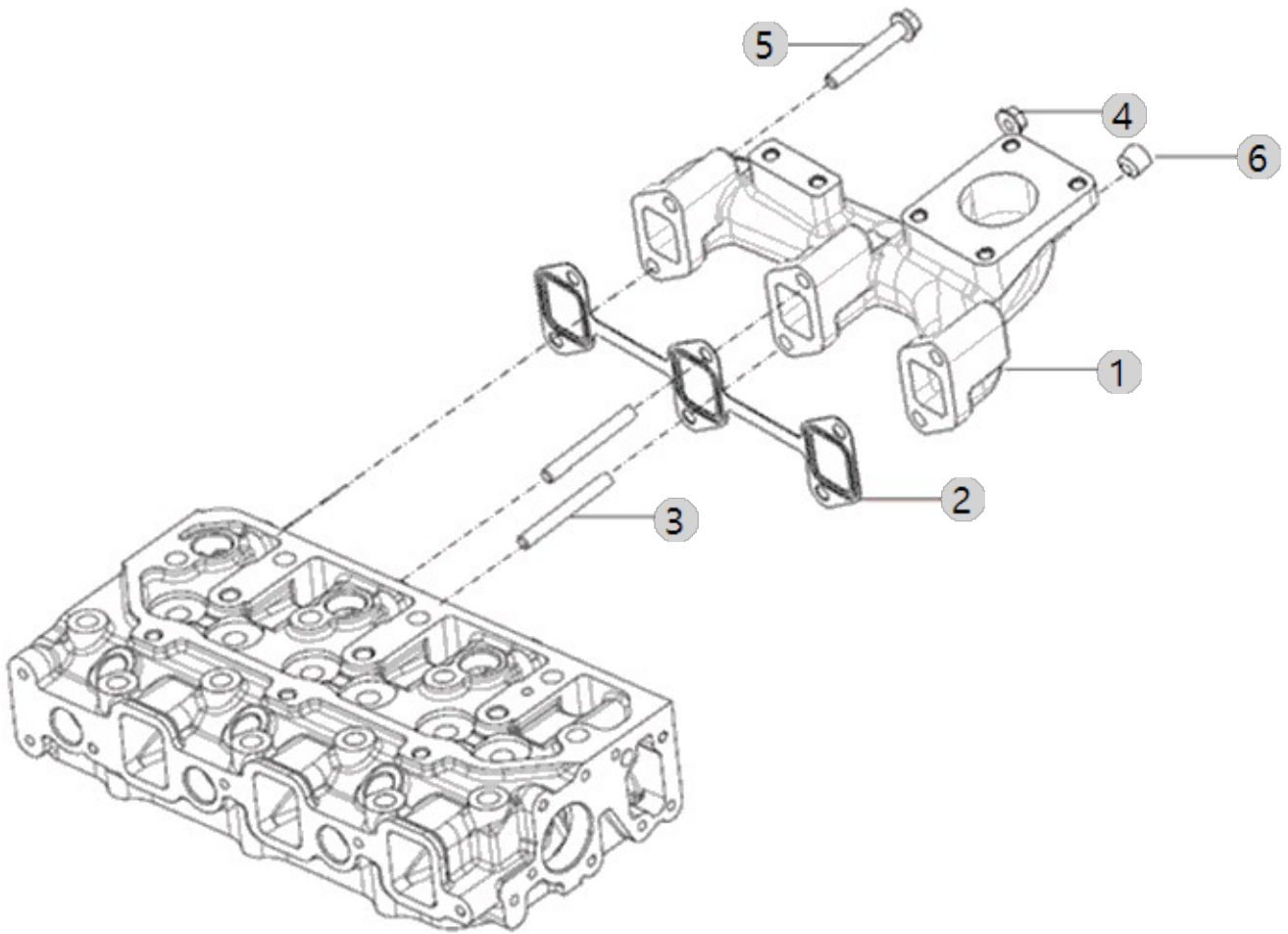
A33_006

A1700N4-UTR_4
(AB00210)

EXHAUST MANIFOLD

Year/Month

2022-12-15



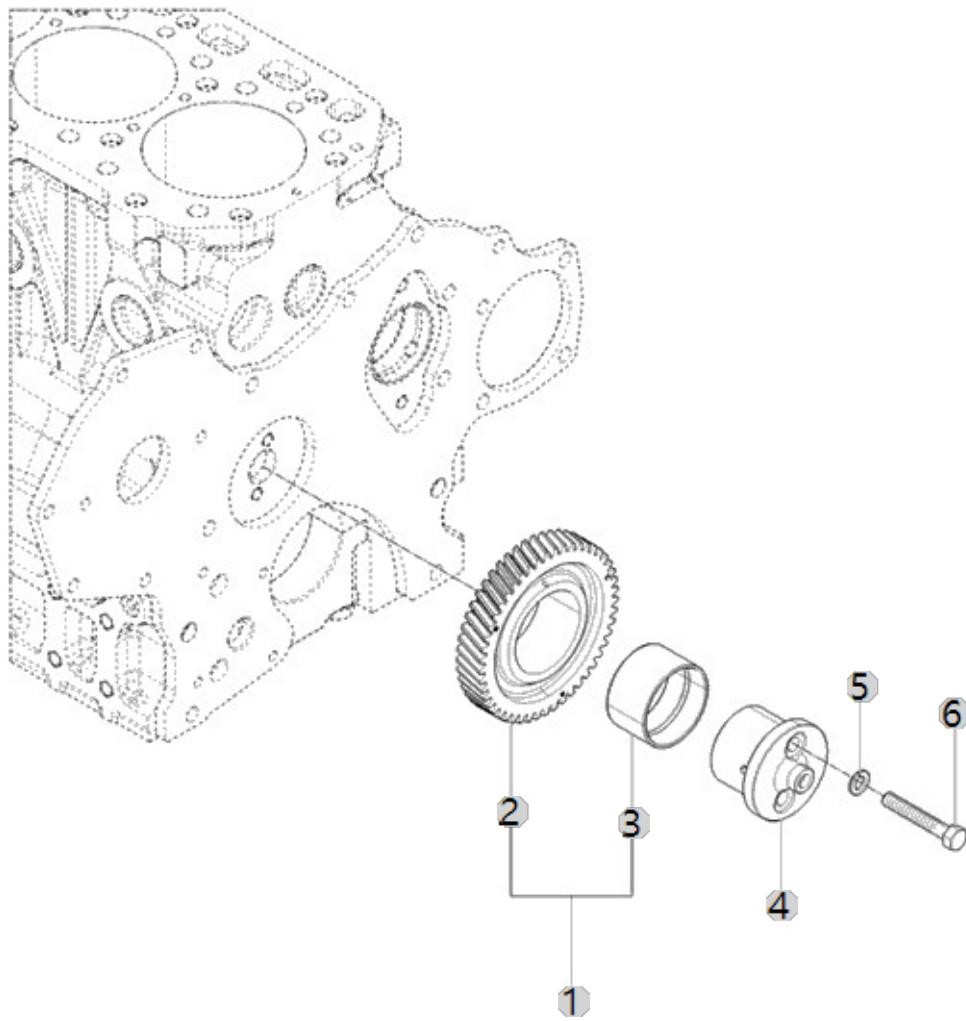
A35_002

A1700N4-UTR_4
(AB00210)

IDLE GEAR

Year/Month

2022-12-15



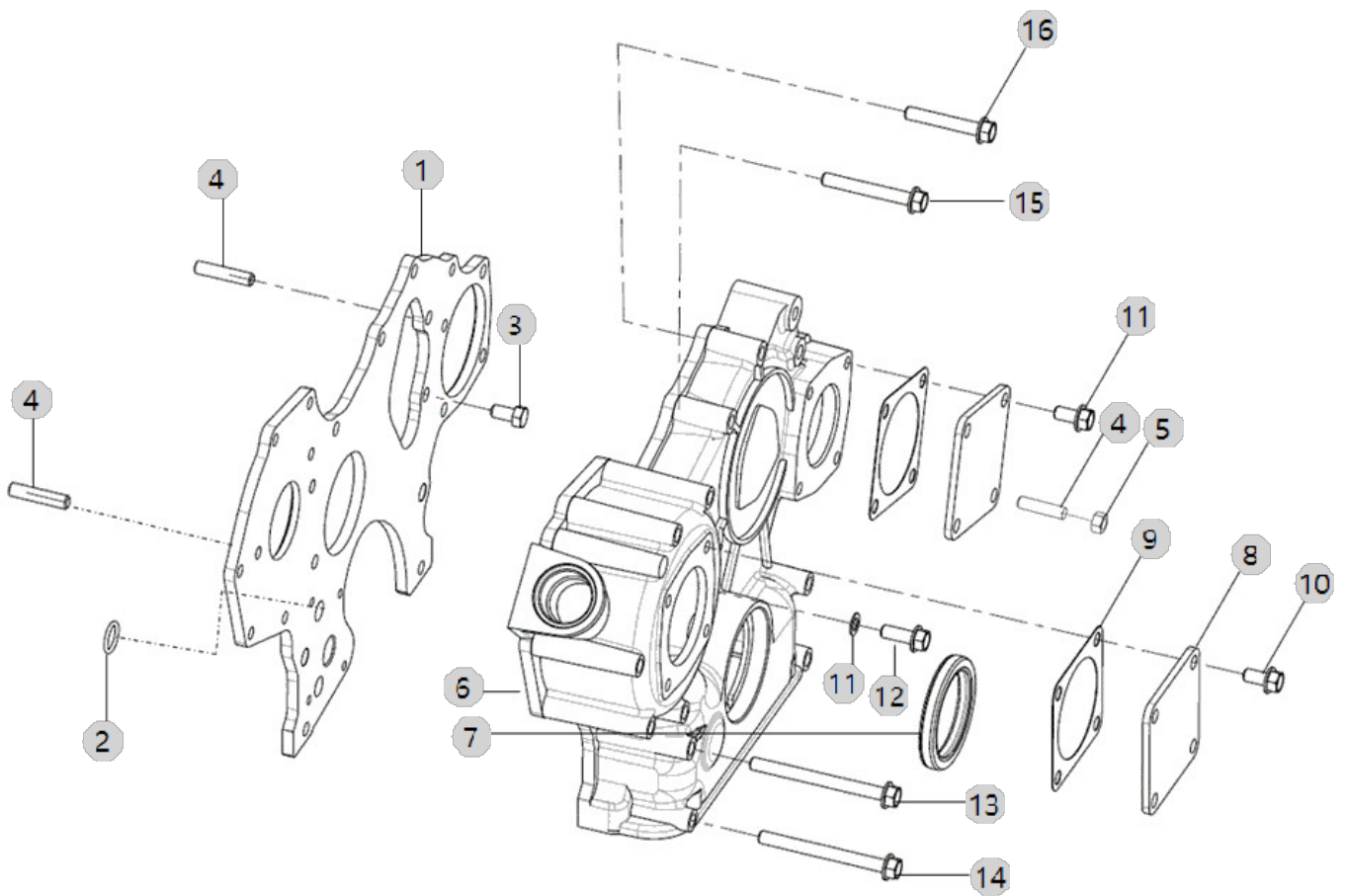
A36_002

A1700N4-UTR_4
(AB00210)

COVER, FRONT GEAR

Year/Month

2022-12-15



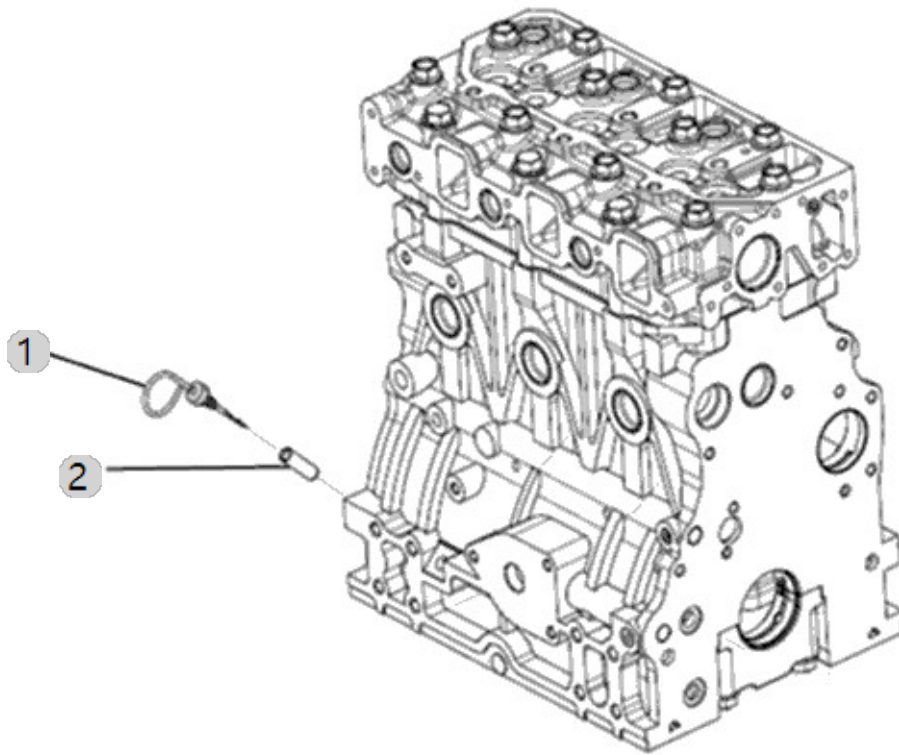
A38_004

A1700N4-UTR_4
(AB00210)

GAUGE, OIL LEVEL

Year/Month

2022-12-15



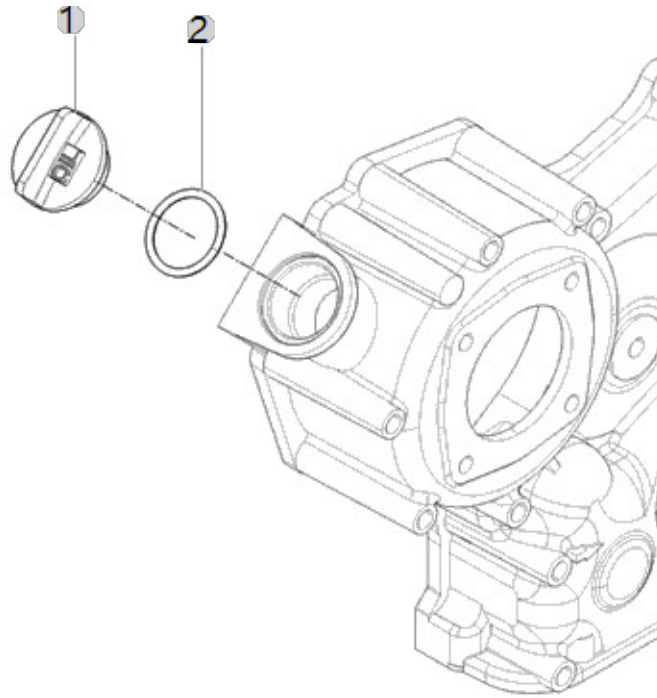
A39_001

A1700N4-UTR_4
(AB00210)

OIL FILLER CAP

Year/Month

2022-12-15



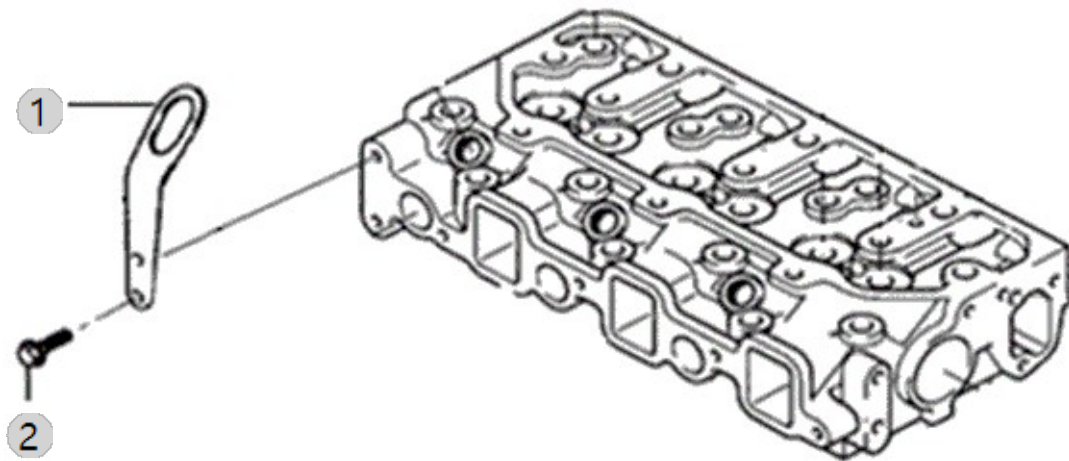
A40_003

A1700N4-UTR_4
(AB00210)

LIFT ASS'Y OPTION

Year/Month

2022-12-15



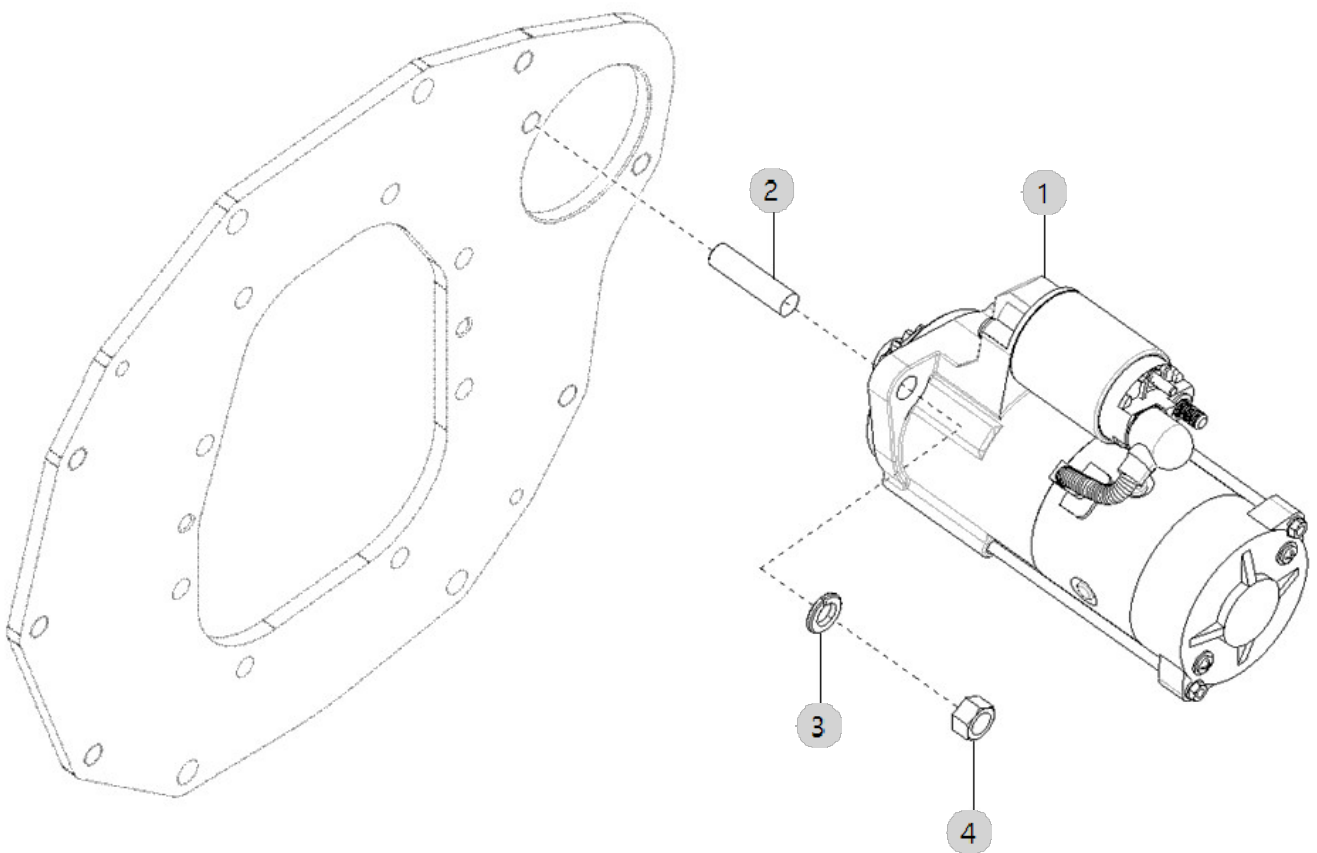
A42_003

A1700N4-UTR_4
(AB00210)

MOTER, STARTIONS

Year/Month

2022-12-15



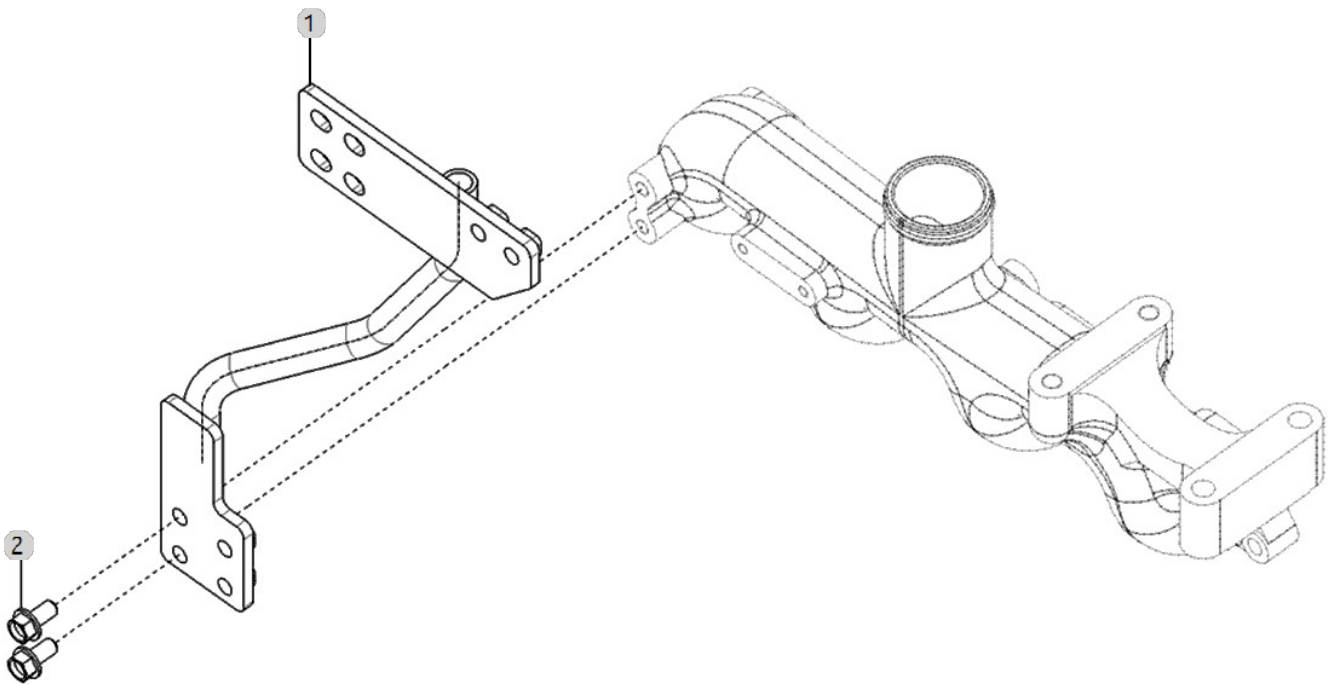
A43_001

A1700N4-UTR_4
(AB00210)

DPF SUPPORT OPTION

Year/Month

2022-12-15



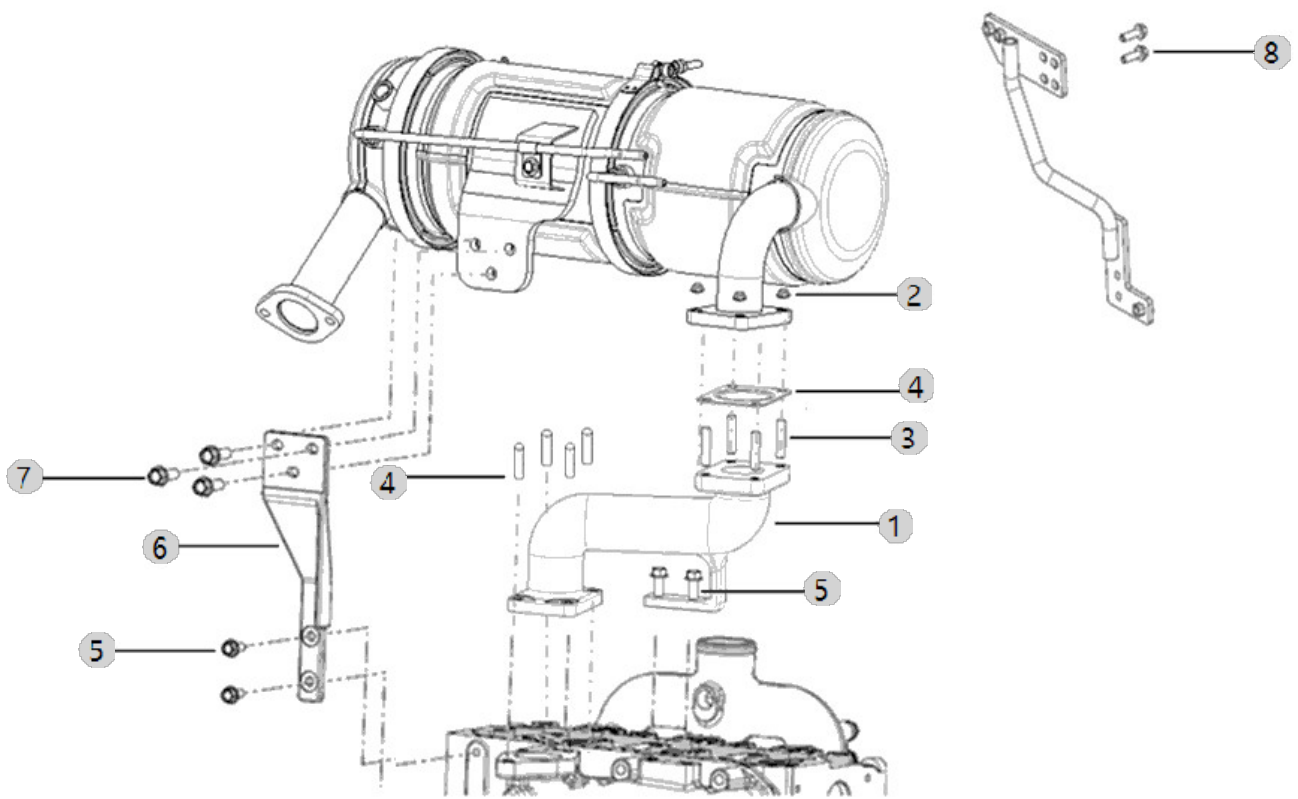
A44_003

A1700N4-UTR_4
(AB00210)

DPF MOUNTING OPTION

Year/Month

2022-12-15



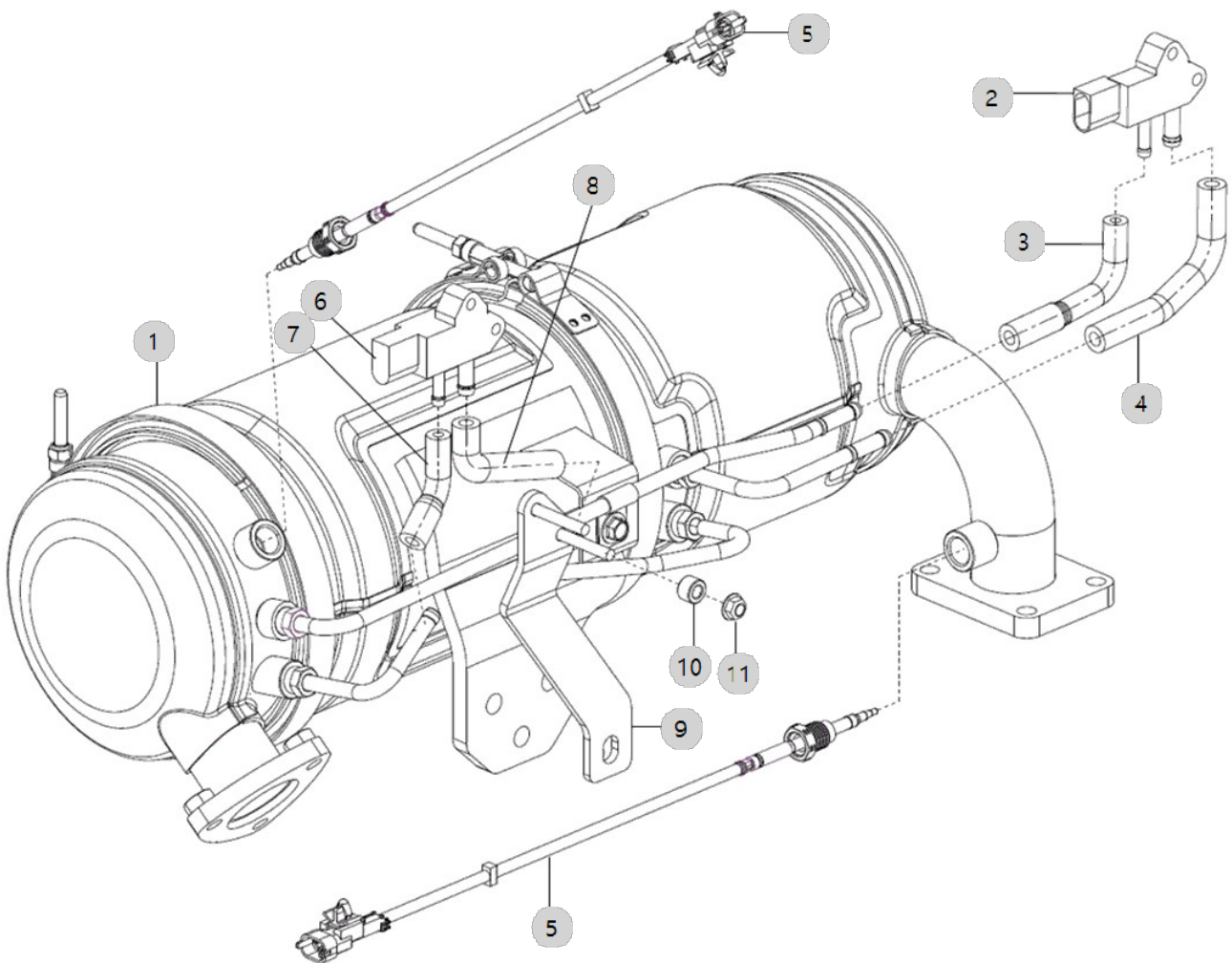
A45_011

A1700N4-UTR_4
(AB00210)

DPF

Year/Month

2022-12-15



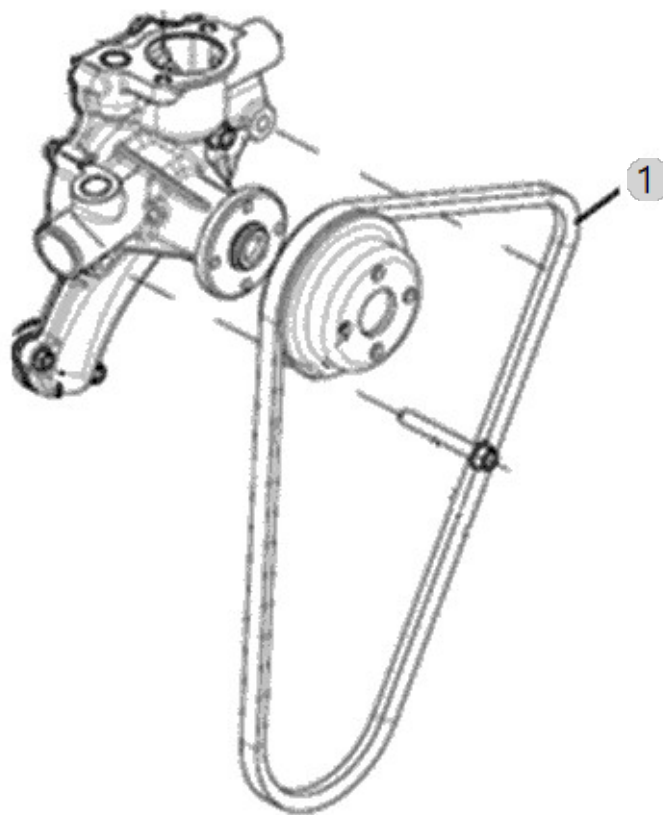
A48_006

A1700N4-UTR_4
(AB00210)

V-BELT

Year/Month

2022-12-15



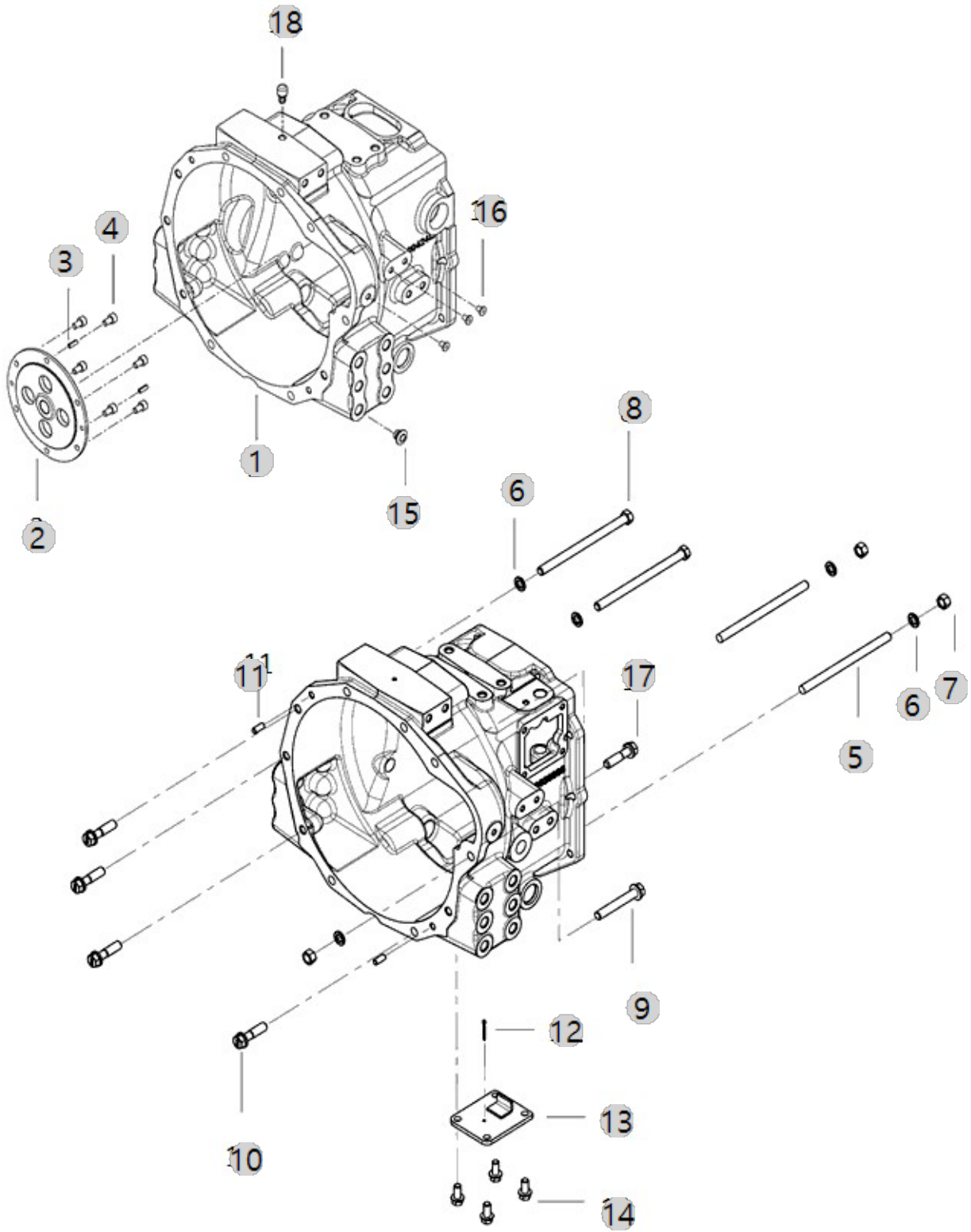
F01010-B

BRANSON 15H
TM_US_FL(AC01917)

CLUTCH HOUSING

Year/Month

2022-12-15



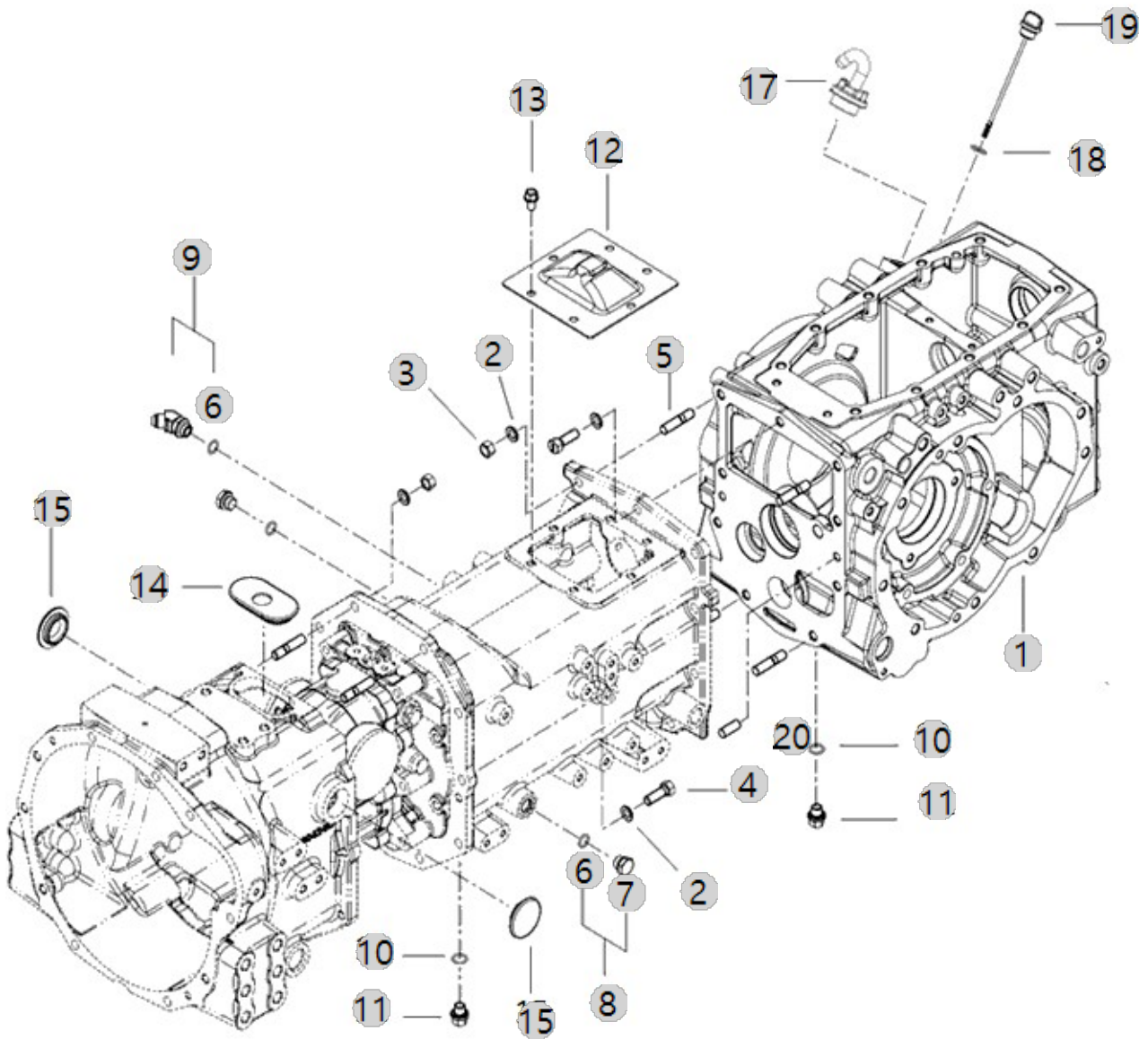
F01020

BRANSON 15H
TM_US_FL(AC01917)

TRANSMISSION CASE

Year/Month

2022-12-15



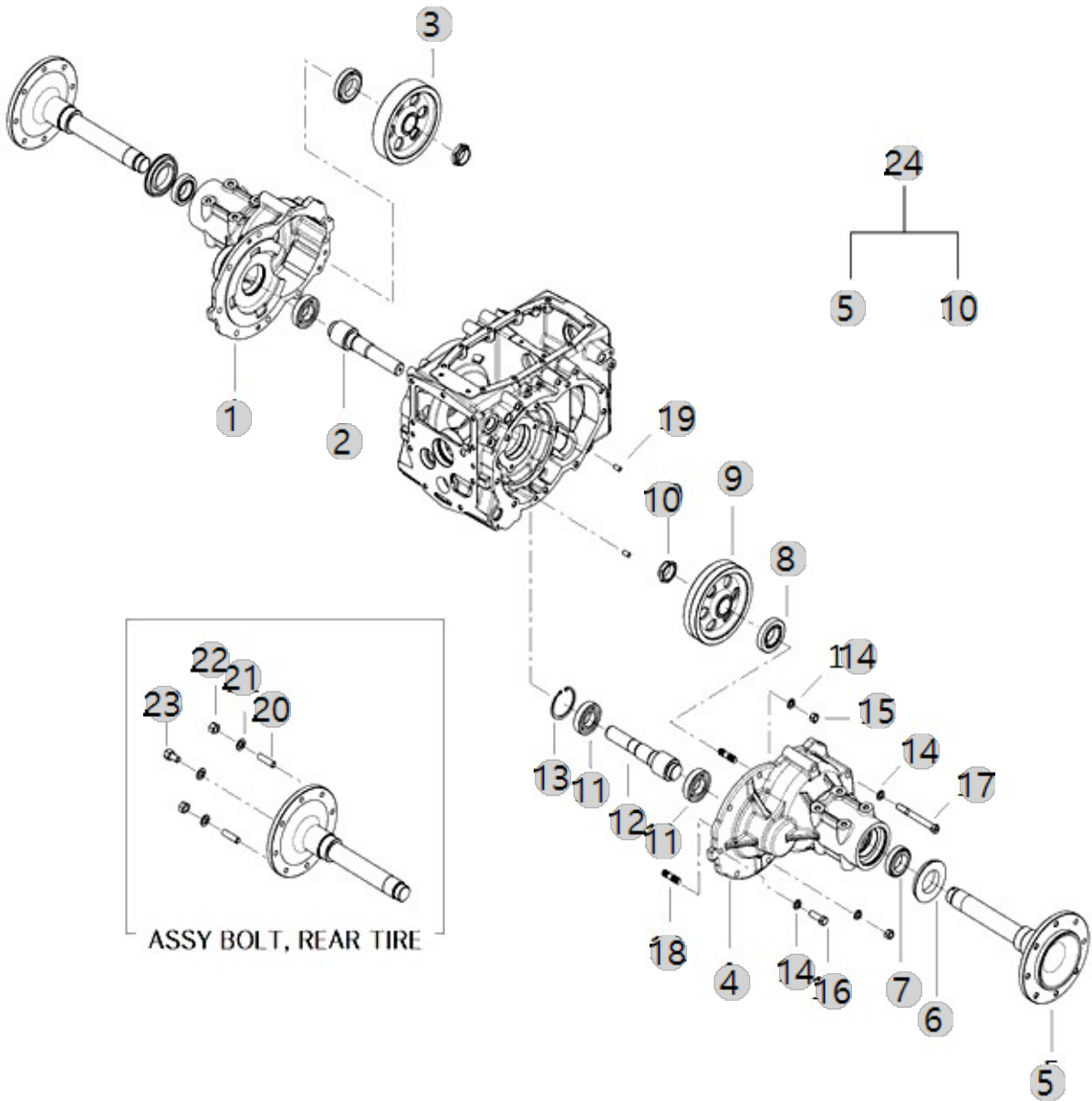
F01030

BRANSON 15H
TM_US_FL(AC01917)

REAR AXLE HOUSING

Year/Month

2022-12-15



ASSY BOLT, REAR TIRE

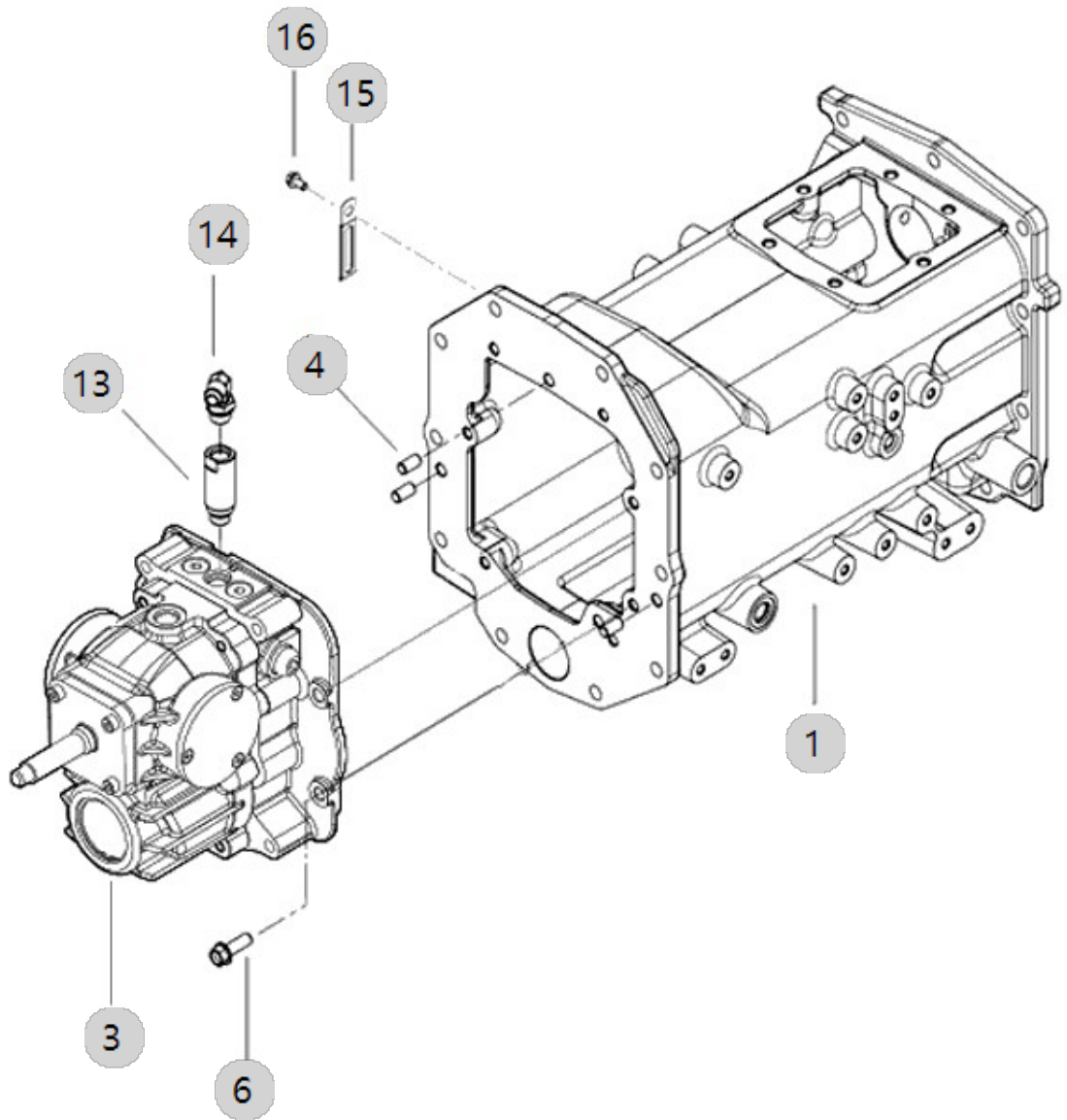
F01050

BRANSON 15H
TM_US_FL(AC01917)

HYD SHIFT TRANSMISSION HOUSING

Year/Month

2022-12-15



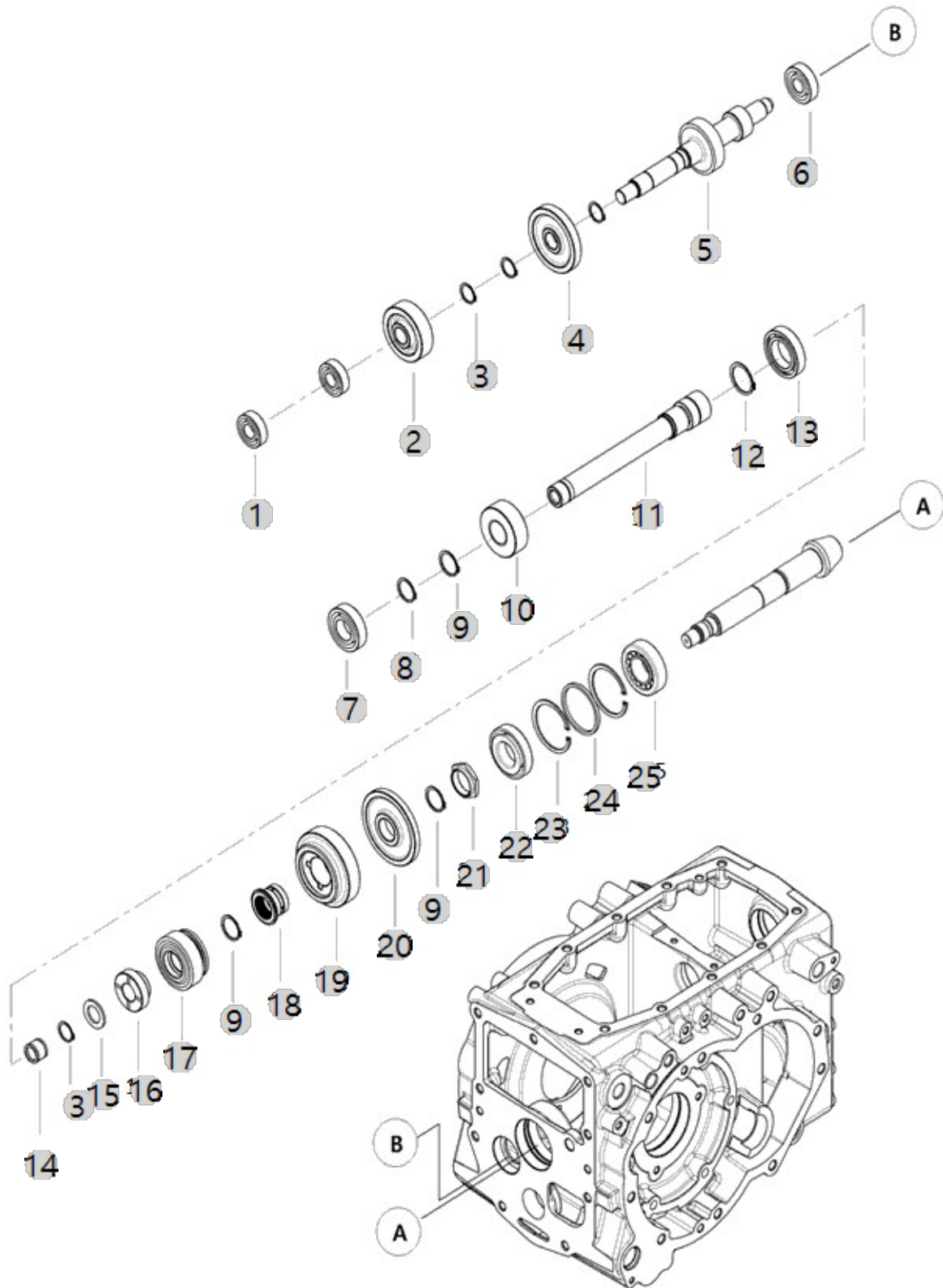
F03040

BRANSON 15H
TM_US_FL(AC01917)

RANGE SHIFT DRIVE SHAFT

Year/Month

2022-12-15



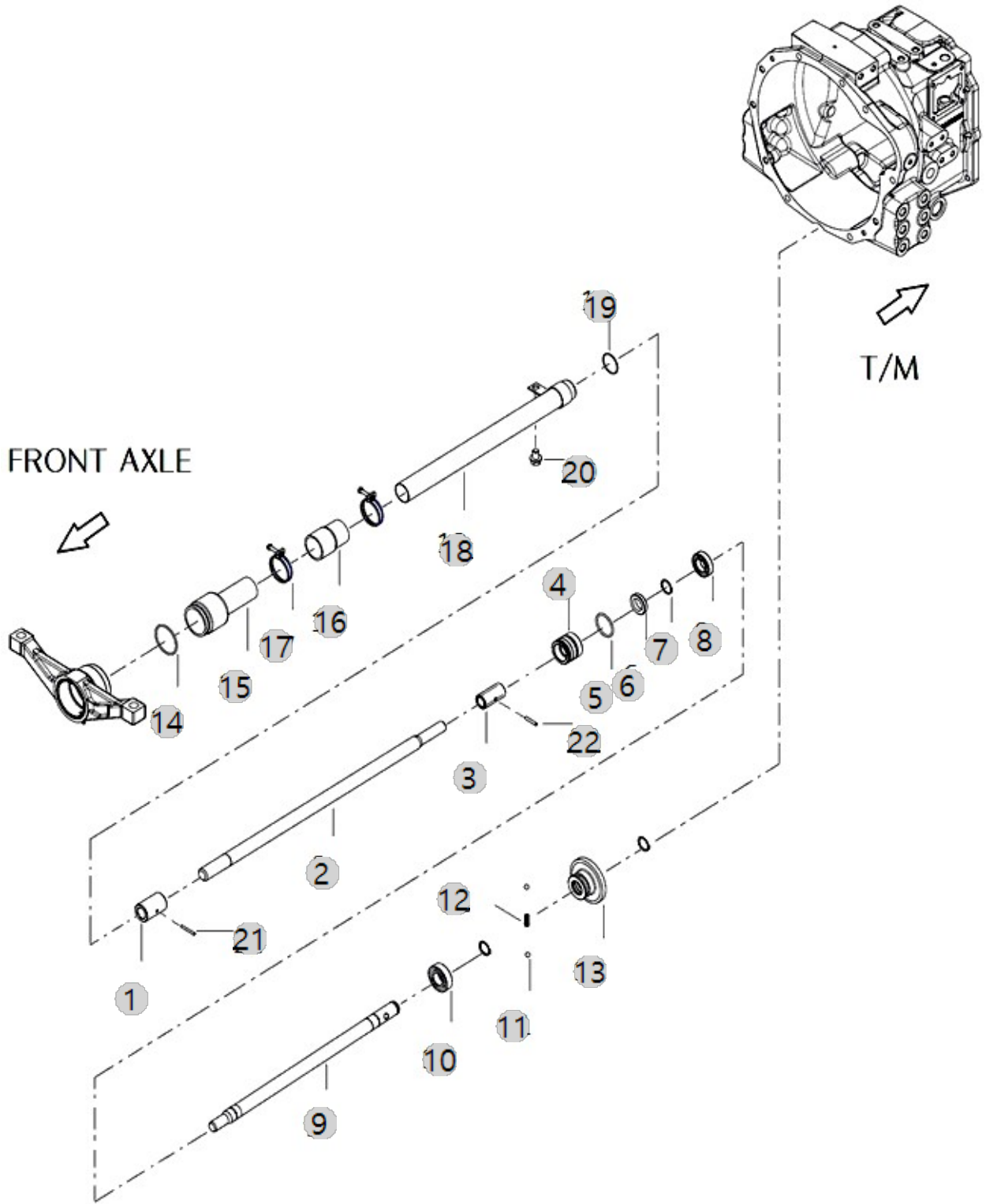
F04010

BRANSON 15H
TM_US_FL(AC01917)

FRONT DRIVE SHAFT

Year/Month

2022-12-15



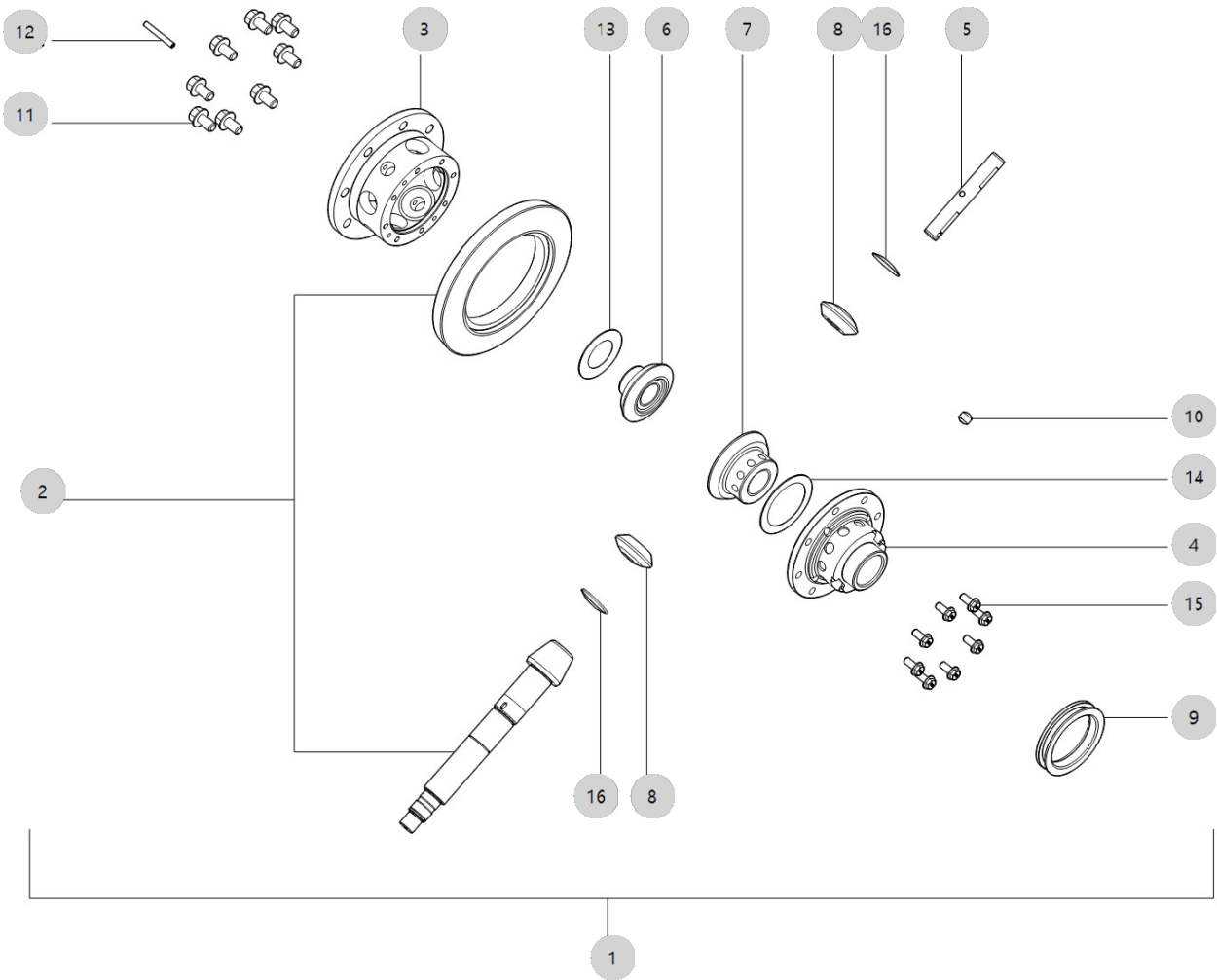
F05020

BRANSON 15H
TM_US_FL(AC01917)

RING GEAR&DIFF.GEAR ASS'Y

Year/Month

2022-12-15



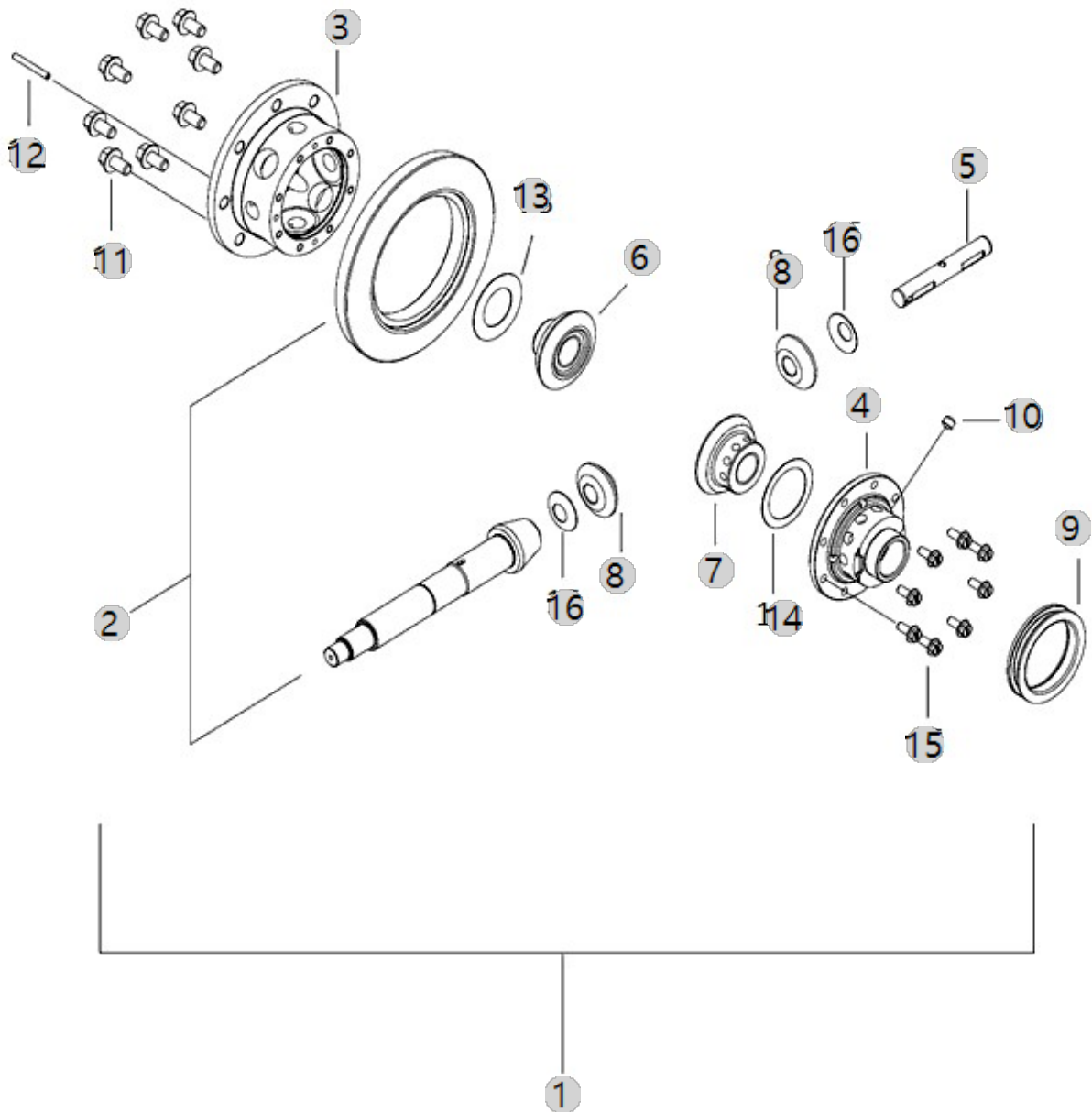
F05020

BRANSON 15H
TM_US_FL(AC01917)

RING GEAR&DIFF.GEAR ASS'Y

Year/Month

2022-12-15



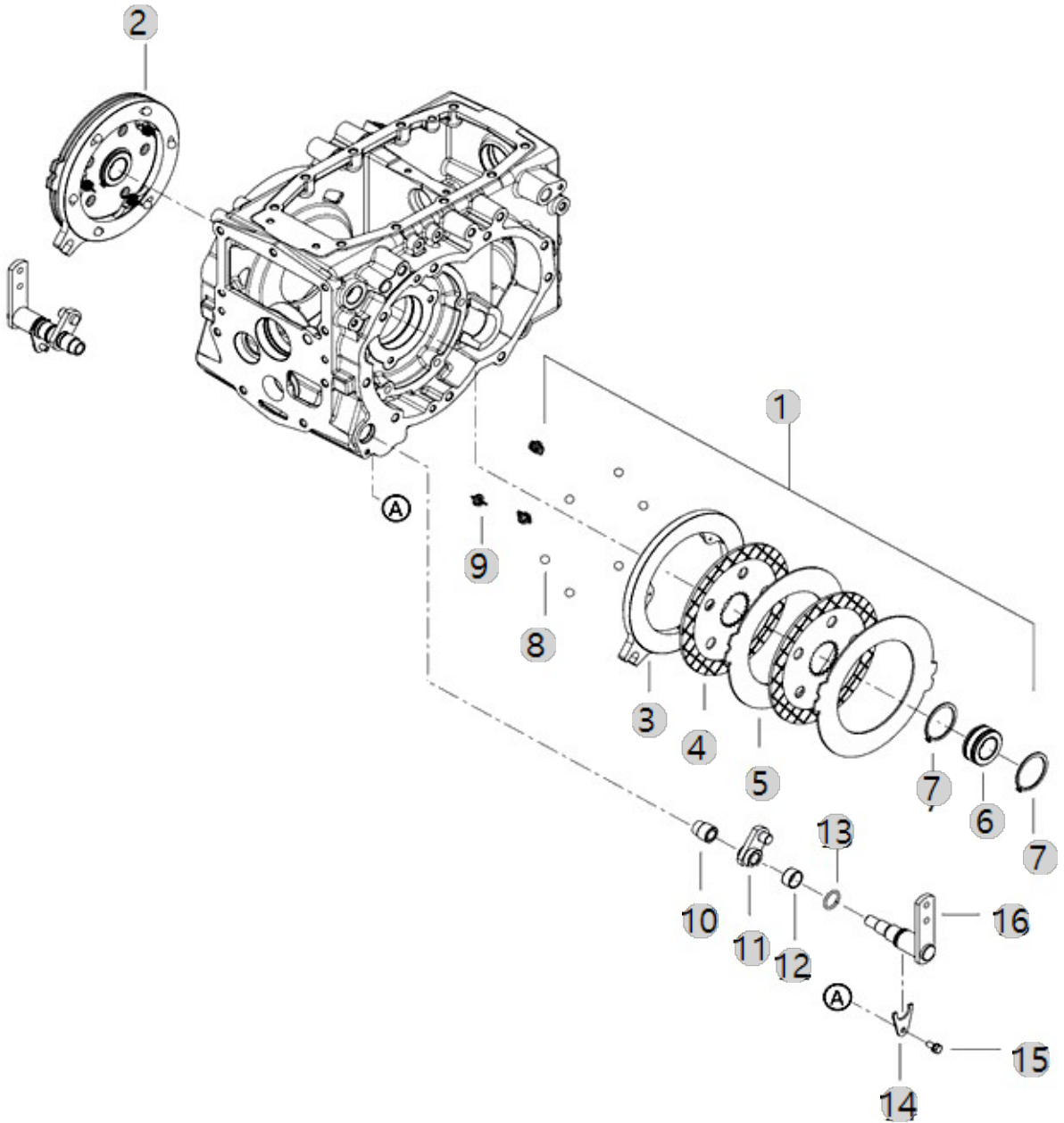
F06030

BRANSON 15H
TM_US_FL(AC01917)

BRAKE

Year/Month

2022-12-15



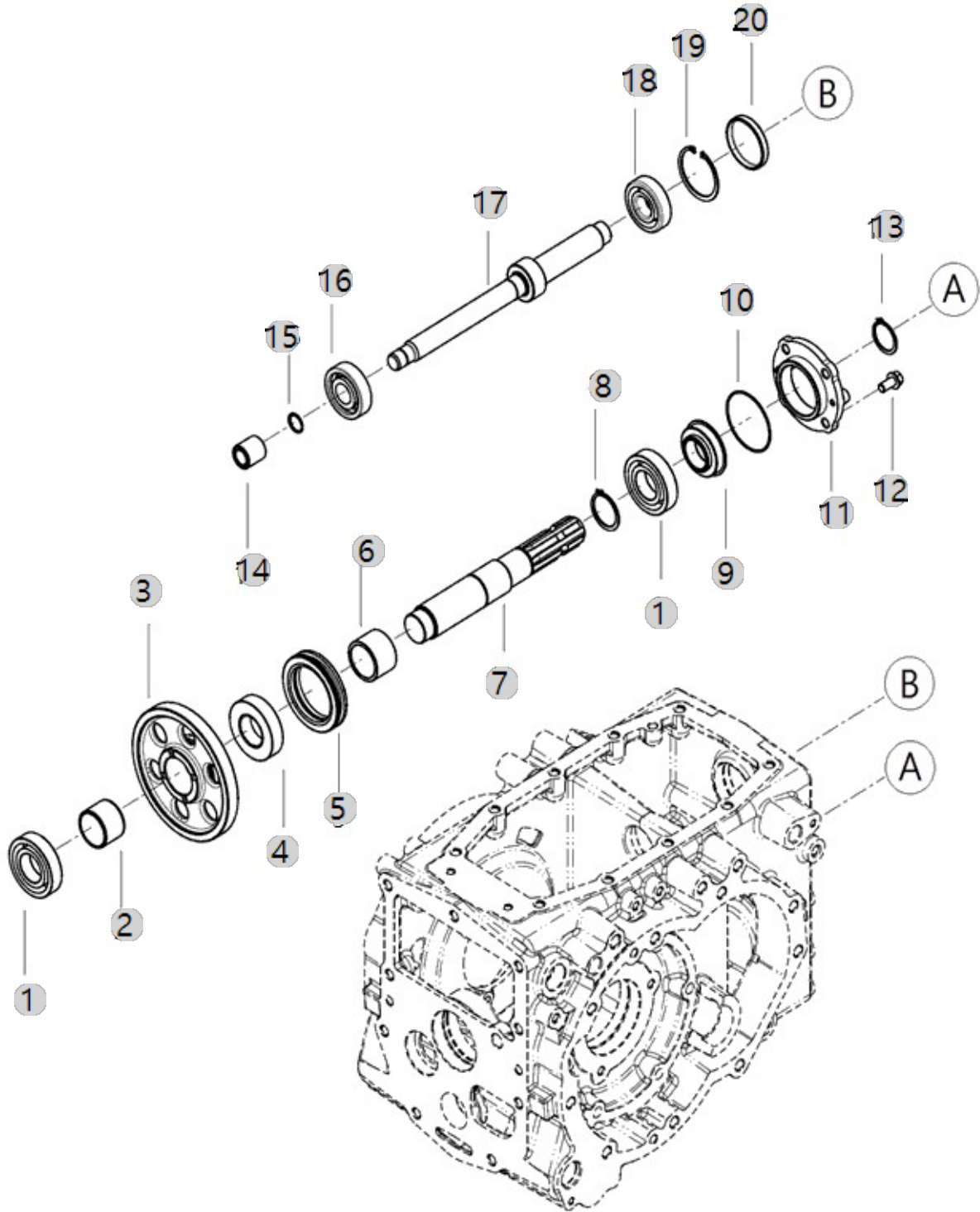
F07030

BRANSON 15H
TM_US_FL(AC01917)

PTO DRIVE SHAFT

Year/Month

2022-12-15



F07030 BRANSON 15H TM_US_FL(AC01917)	PTO DRIVE SHAFT	Year/Month
		2022-12-15

순번 (NO)	부품번호 (PART NO)	품명 (PART NAME)	품명 (PART NAME)	수량 (QTY)	규격 (SPEC)	비고 (REMARK)
1	TA00059186A	볼베어링(6207)	BALL BEARING	2		
2	TA00039162C	부시(PTO1단)	BUSH	1		
3	TA00041007A	PTO피동기어1단	GEAR, PTO1	1		
4	TZ45100000B3	PTO허브	HUB,P.T.O	1		
5	TZ45110000C4	PTO슬리브	SLEEVE,P.T.O	1		
6	TA00058019B	스페이서	SPACER	1		
7	TA00038293D	PTO축	SHAFT, PTO	1		
8	22242-000400	축용스냅링40	SNAP RING, SHAFT (Φ 40)	1	D40	
9	TT62040000A3	PTO 오일실 QLF35X60X19	PTO OIL SEAL QLF35X60X19	1	35X60X19	
10	24341-000700	O링(70-S)	O-RING, FIX (Φ70)	1	1A S70.0	
11	TA00038449B	PTO축 커버	COVER	1		
12	26106-100202	육각플랜지볼트	HEX BOLT, (10-20)	4	M10XP1.5X20	
13	22242-000350	축용스냅링35	SNAP RING, SHAFT (Φ 35)	1	D35	
14	TA00038269A	조인트	JOINT	1		
15	22242-000200	축용스냅링20	SNAP RING, SHAFT (Φ 20)	1	D20(축용)	
16	TA00059201A	볼베어링(6305)	BALL BEARING	1		
17	TA00058807A	PTO구동기어축	SHAFT, PTO DRIVE	1		
18	TA00059202A	볼베어링(6305C3)	BALL BEARING	1		
19	22252-000620	구멍용스냅링62	RING, CIRCLIP (Φ 62)	1	D62(구멍용)	
20	27260-620000	실링캡	SEALING CAP	1		

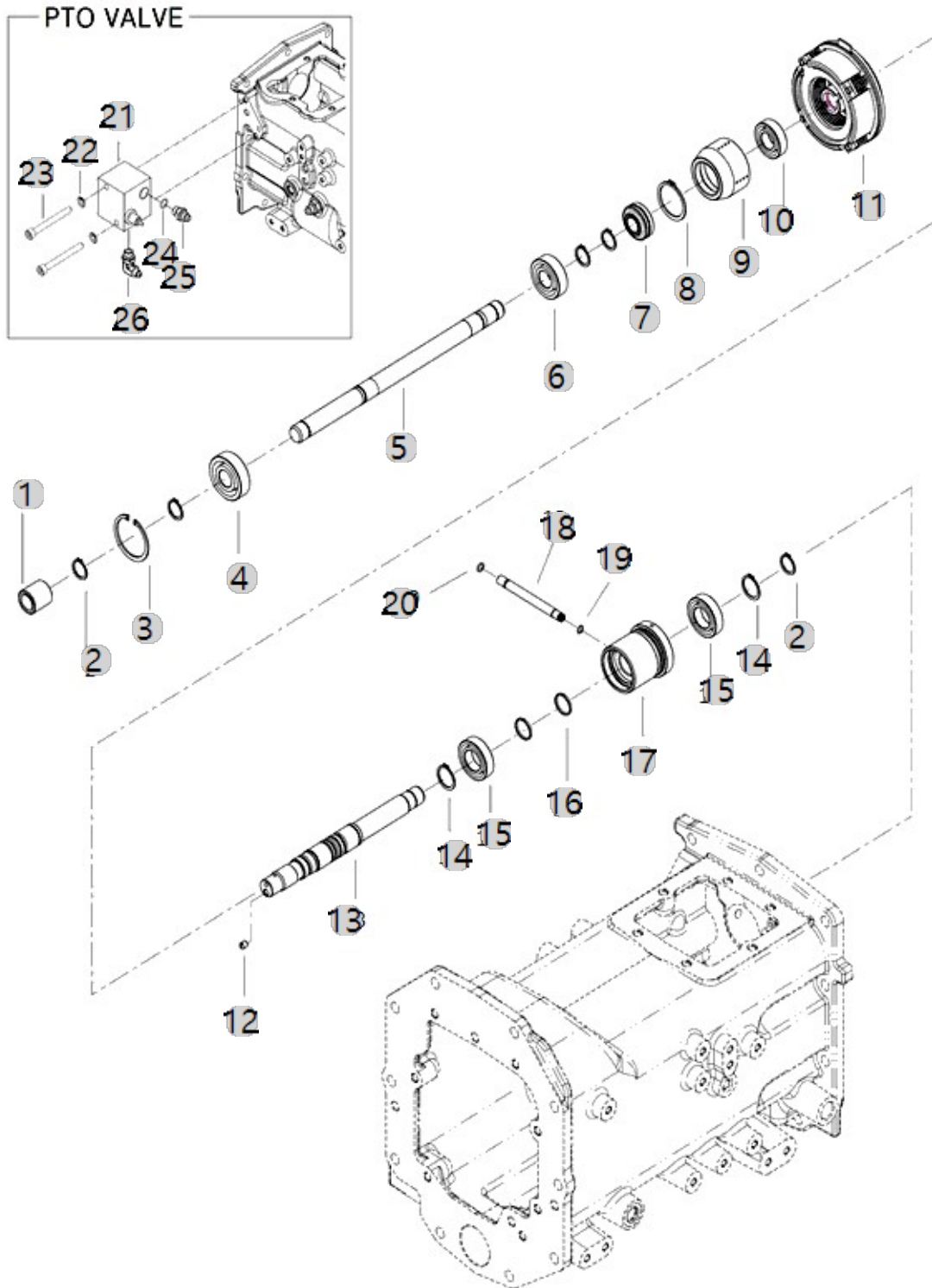
F07070

BRANSON 15H
TM_US_FL(AC01917)

MAIN P.T.O SHAFT

Year/Month

2022-12-15



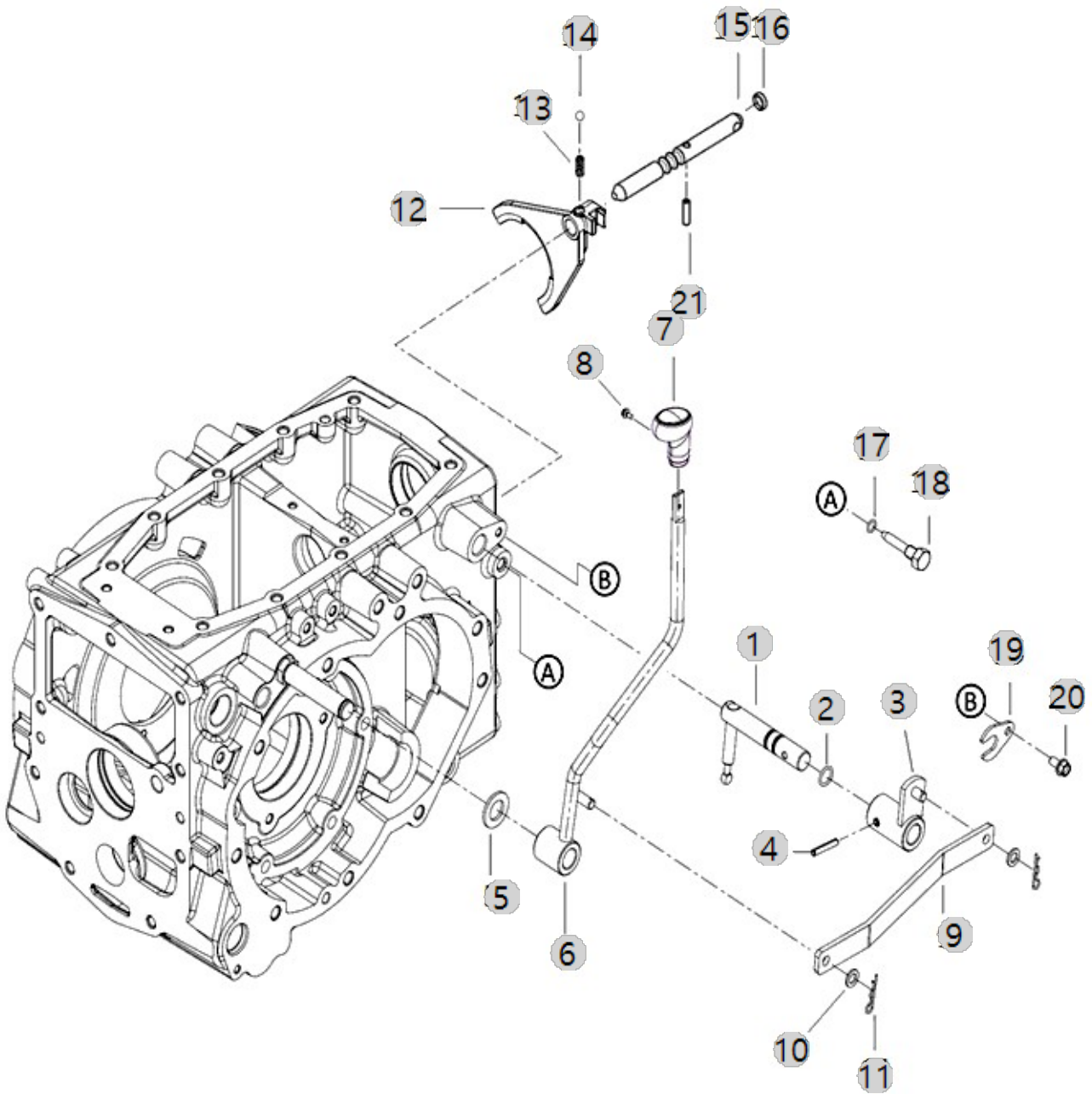
F08060

BRANSON 15H
TM_US_FL(AC01917)

FORK, PTO SHIFT

Year/Month

2022-12-15



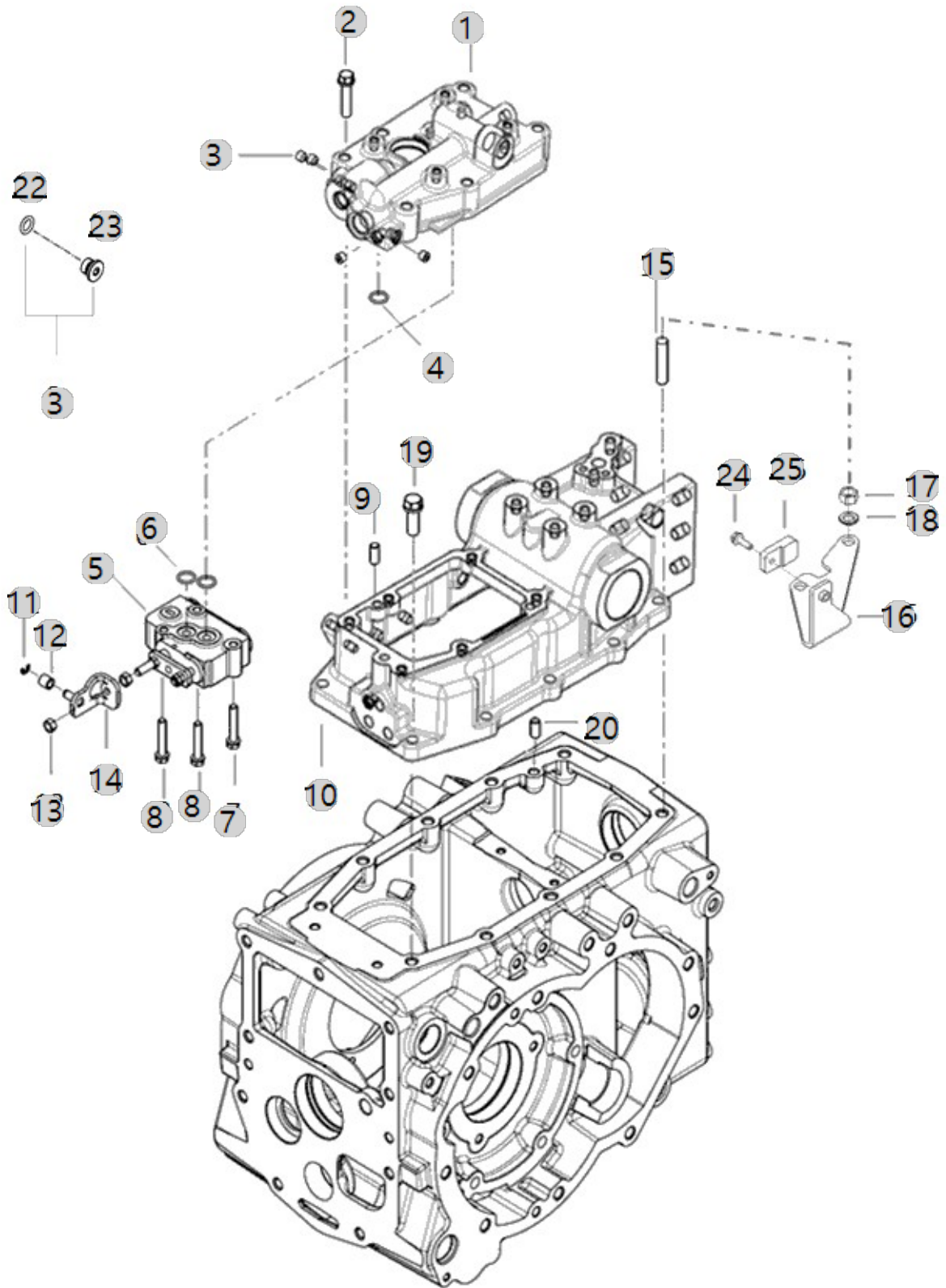
F10010

BRANSON 15H
TM_US_FL(AC01917)

CASE, HYD CYLINDER

Year/Month

2022-12-15



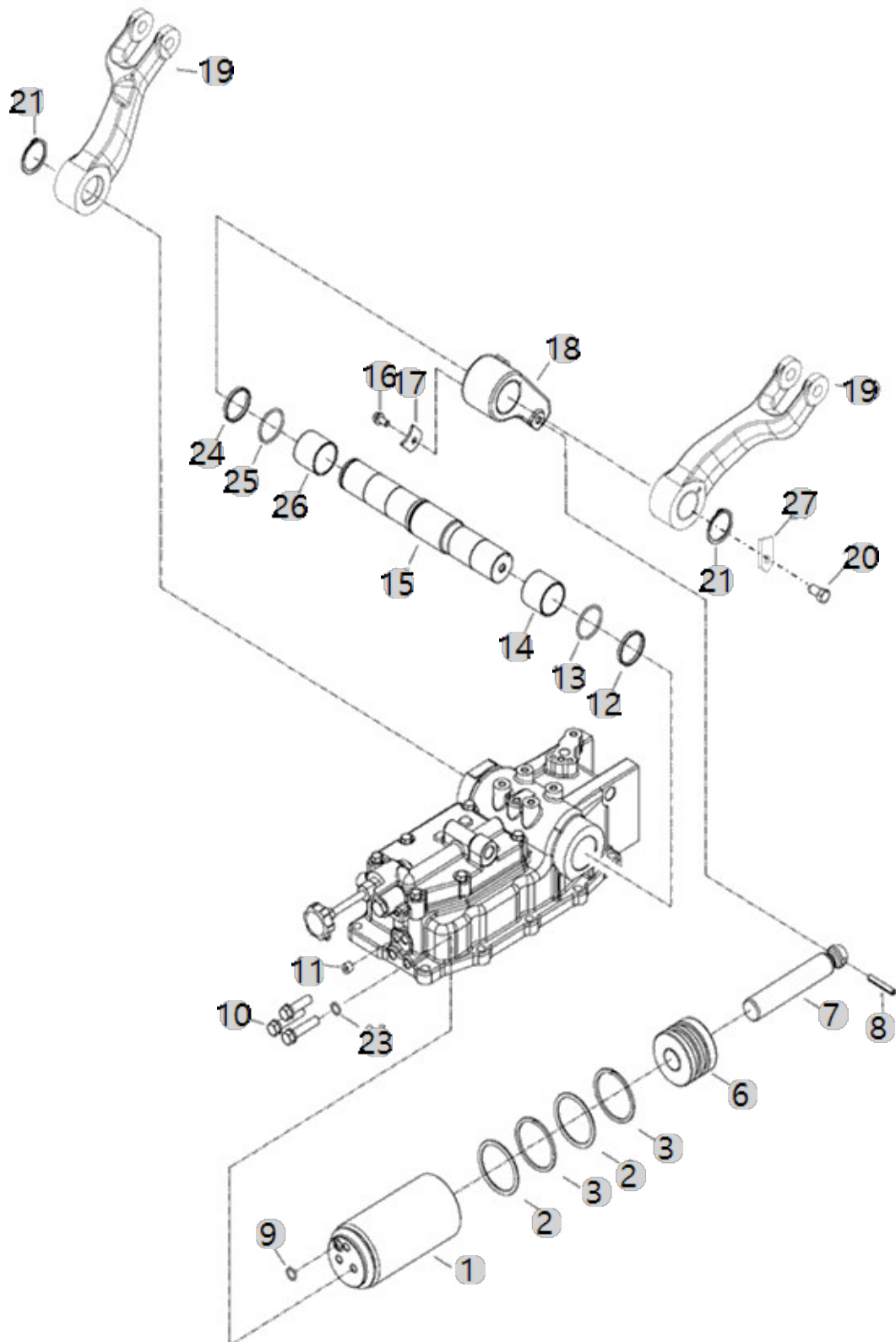
F10020

BRANSON 15H
TM_US_FL(AC01917)

LIFT ARM

Year/Month

2022-12-15



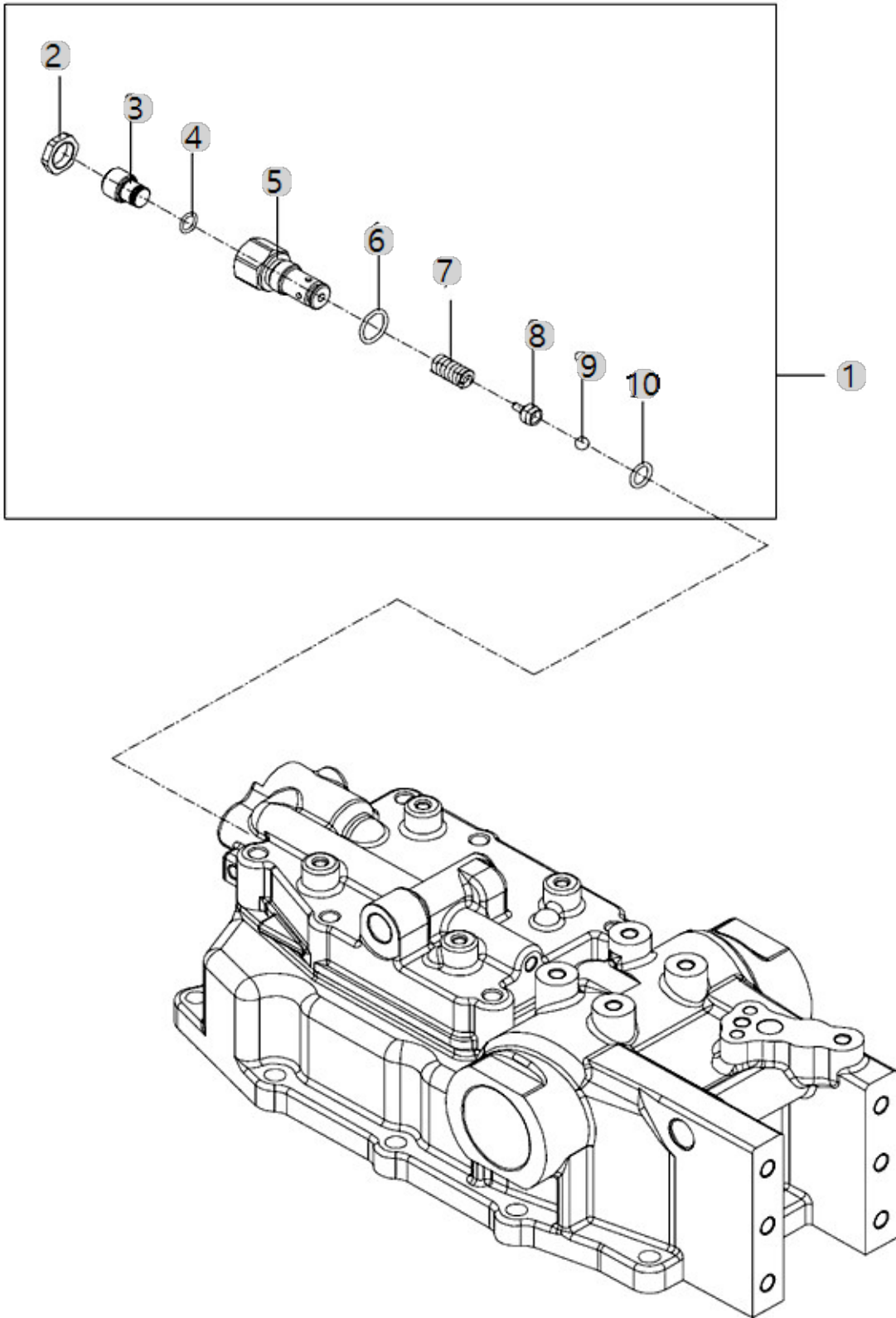
F10030

BRANSON 15H
TM_US_FL(AC01917)

SAFETY VALVE

Year/Month

2022-12-15



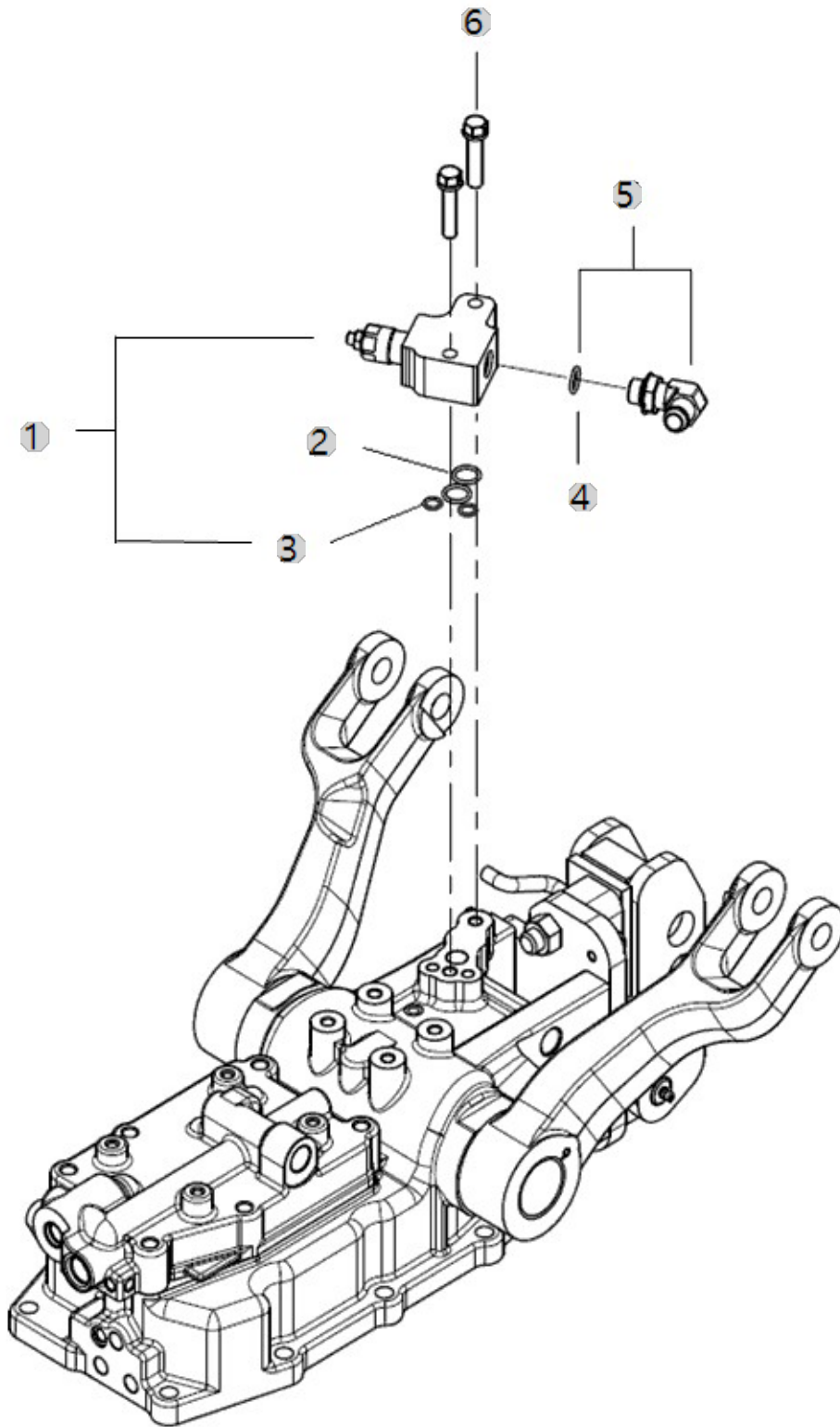
F10031

BRANSON 15H
TM_US_FL(AC01917)

RELIEF VALVE

Year/Month

2022-12-15



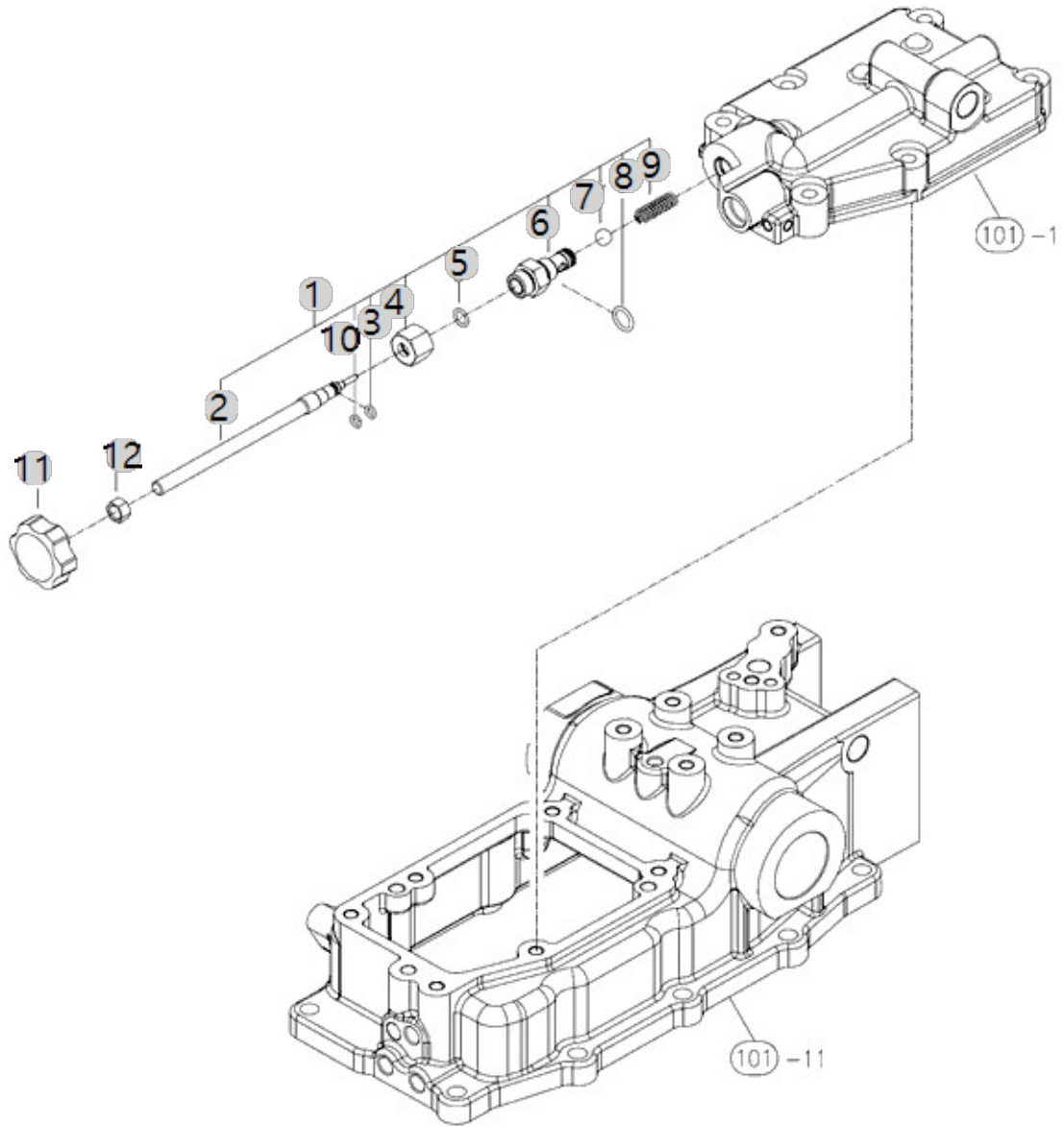
F10040

BRANSON 15H
TM_US_FL(AC01917)

STOP VALVE

Year/Month

2022-12-15



F10040 BRANSON 15H TM_US_FL(AC01917)		STOP VALVE				Year/Month 2022-12-15
순번 (NO)	부품번호 (PART NO)	품명 (PART NAME)	품명 (PART NAME)	수량 (QTY)	규격 (SPEC)	비고 (REMARK)
1	TA00033887C	하강속도조절밸브조합	FLOW REGULATOR ASSY	1		
2	TA00033889C	하강속도조절스크류	SCREW	1		
3	24315-000060	운동용O링	O RING	1		
4	TA00033888B	너트	NUT	1		
5	24311-000100	O-링1AP10.0	O-RING, DYNAMIC (Φ10)	1	P10	
6	TA00033890C	하강속도 조절밸브 몸체	BODY	1		
7	24190-140001	강구	STEEL BALL	1		
8	24311-000140	441,ALL,O-RINGP-14	O-RING, DYNAMIC (Φ14)	1	P14	
9	TA00034091B	잠금 밸브 스프링	SPRING, LOCKING VALVE	1		
10	TA00036537A	백업링	RING, BACK UP	1		
11	TTA9040000A4	노브	KNOB	1		
11	TTA9040000D4	노브	KNOB	1		
12	26716-100002	육각너트	Nut, Hexa (Φ10)	1	M10XP1.5	

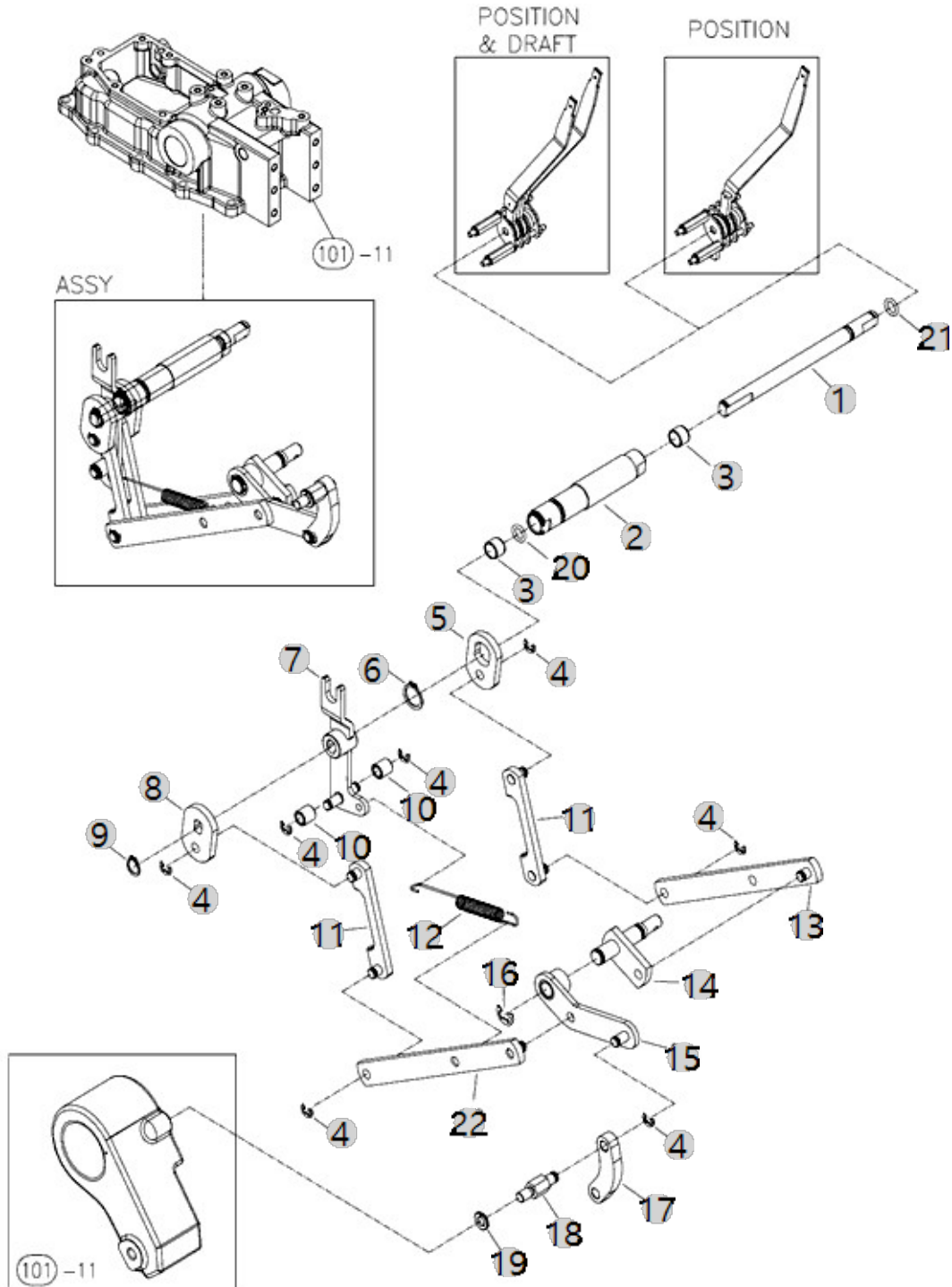
F10061

BRANSON 15H
TM_US_FL(AC01917)

DRAFT/POSITION CONTROL LEVER

Year/Month

2022-12-15



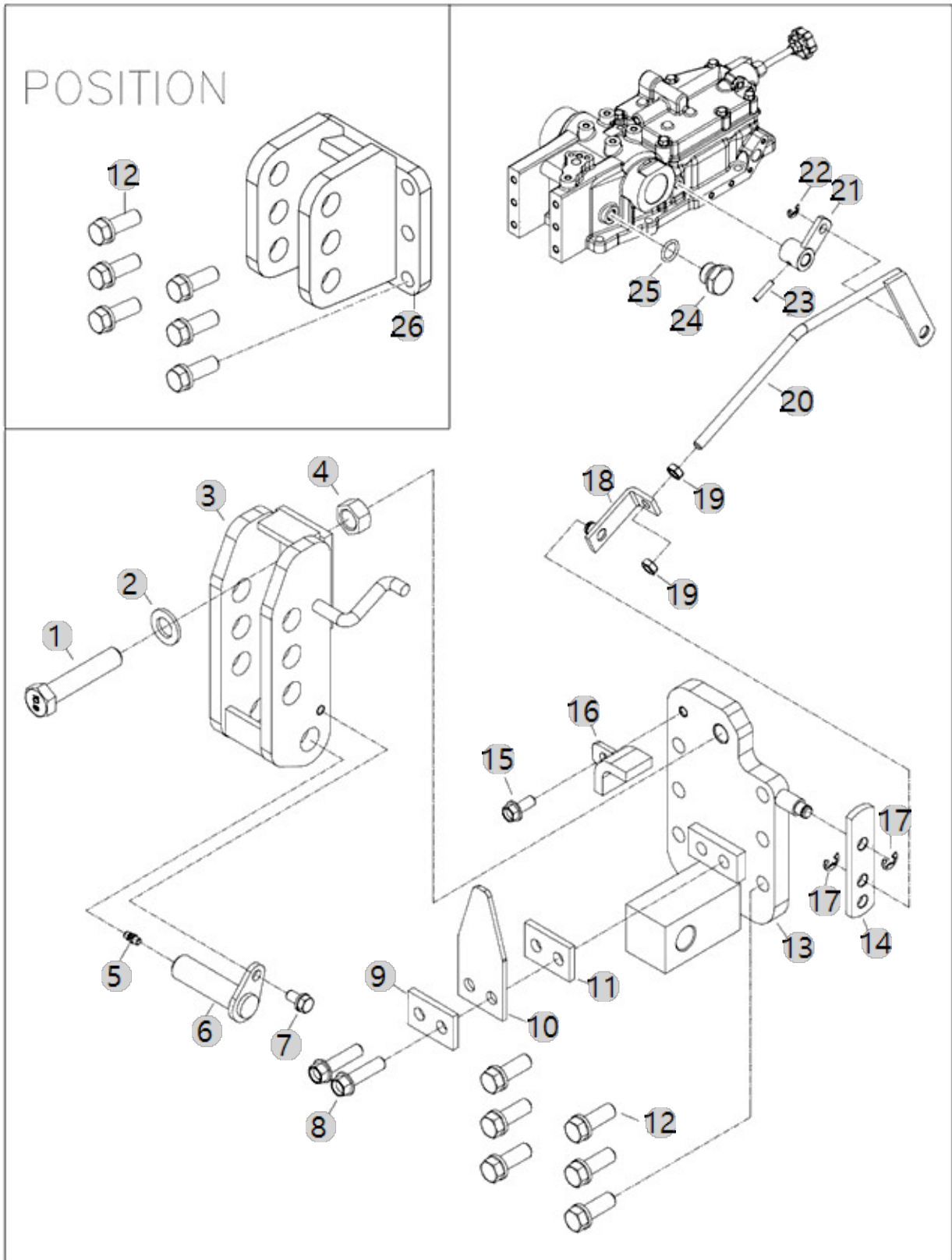
F10063

BRANSON 15H
TM_US_FL(AC01917)

DRAFT CONTROL LEVER

Year/Month

2022-12-15



F10063 BRANSON 15H TM_US_FL(AC01917)		DRAFT CONTROL LEVER				Year/Month
						2022-12-15

순번 (NO)	부품번호 (PART NO)	품명 (PART NAME)	품명 (PART NAME)	수량 (QTY)	규격 (SPEC)	비고 (REMARK)
1	TA00000660A	육각볼트(M16XP1.5X80)	BOLT	1	M16XP1.5X80	
2	22137-160000	와셔	WASHER, PLAIN (Φ 16)	1	M16	
3	TA00033138B	톱링크힌지D	HINGE D, TOP LINK	1		
4	26736-160002	특수NUT	HEXNUT	1	M16XP1.5	
5	TA27160000A	그리스니플	NIPPLE	1		
6	TTB3090000A	힌지핀	PIN, HINGE	1		
7	26013-080162	와셔조립육각볼트(+SW)	Bolt, Hexa (8-16)	1	M8XP1.25X16	
8	26106-100402	플랜지보울트	SCREW,HEXFLANGEHEADCAP	2	M10X1.5X40	
9	TA00034144A	고정판	PLATE	1		
10	TA00033137A	힌지판	PLATE, HINGE	1		
11	TA00034144A	고정판	PLATE	1		
12	26013-120352	와셔조립육각볼트(+SW)	SCREW,CAPTIVEWASHERCAP	6	M12XP1.75X0	
13	TA00034018B	힌지서포터 조합	SUPPORT D, HINGE ASS'Y	1		
14	TA00033143C	플레이트	PLATE	1		
15	26106-080202	육각플랜지볼트	SQR FLANGE BOLT	1	M8XP1.25X20	
16	TA00034142B	연결판 조합	PLATE ASS'Y	1		
17	22272-000080	E형스냅링8	RING, CIRCLIP (Φ 08)	2	D8	
18	TA00033144B	플레이트조합	PLATE ASSY	1		
19	26756-080002	고정너트M8	NUT	2	M8X1.25	
20	TA00033150B	견인제어로드	CONTROL ROD, DRAFT	1		
21	TA00033147C	링크조합(OUT)	LINK ASSY (OUT)	1		
22	22272-000060	SNAP RING	RING, CIRCLIP (Φ 06)	1	D6	
23	22351-040020	스프링핀	PIN, SPRING (4X20)	1	D4X20	
24	NTA1130100A9	몸체		1		
25	24311-000140	441,ALL,O-RINGP-14	O-RING, DYNAMIC (Φ14)	1	P14	
26	TA00034323A	톱링크 브래킷 조합	BRACKET ASS'Y, TOP LINK	1		

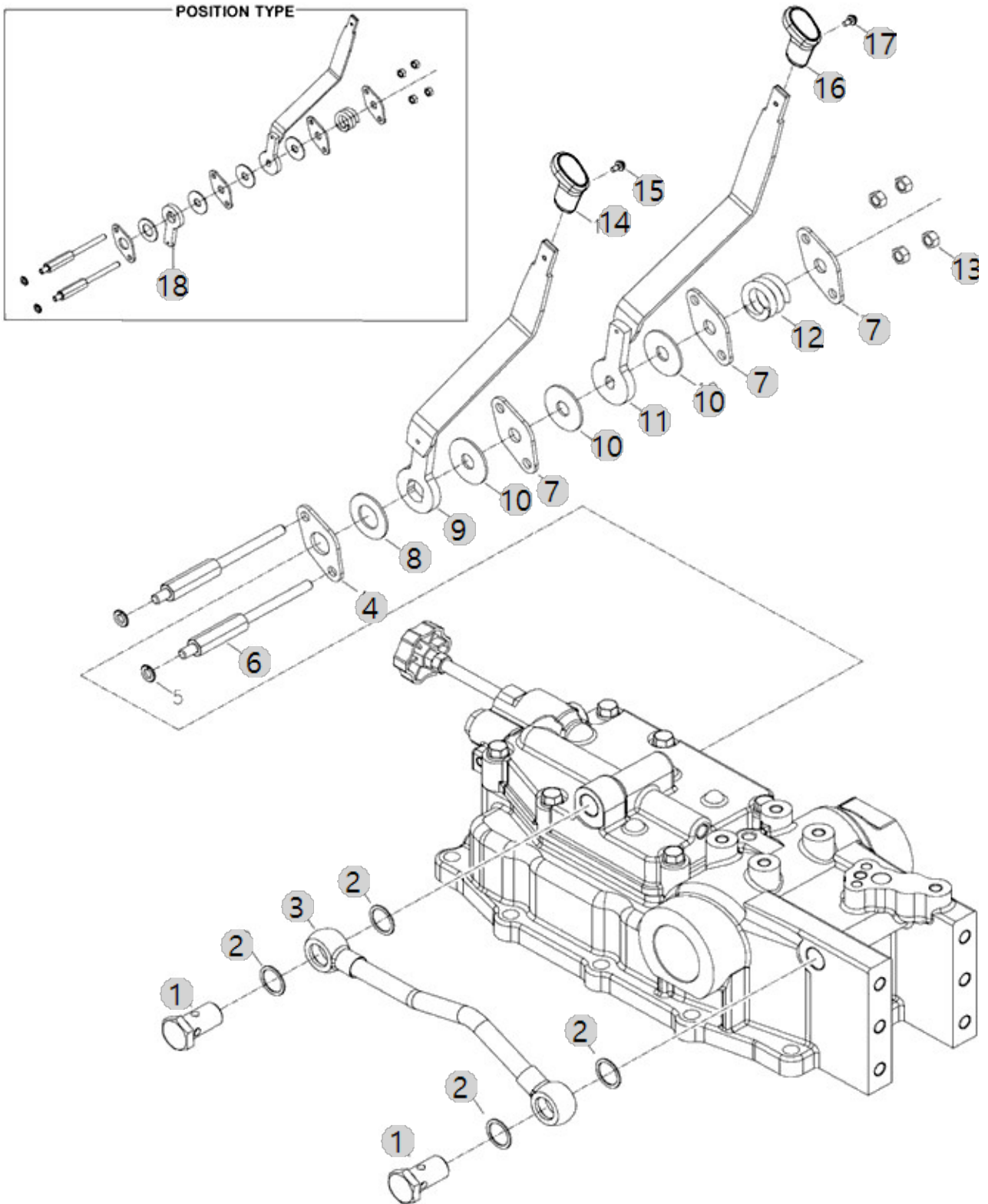
F10064

BRANSON 15H
TM_US_FL(AC01917)

POSITION CONTROL LEVER

Year/Month

2022-12-15



F10064 BRANSON 15H TM_US_FL(AC01917)	POSITION CONTROL LEVER	Year/Month
		2022-12-15

순번 (NO)	부품번호 (PART NO)	품명 (PART NAME)	품명 (PART NAME)	수량 (QTY)	규격 (SPEC)	비고 (REMARK)
1	TTB418000B4	중공볼트	BOLT	2	M20XP1.5	
2	TA00036405A	분디드실(M20)	BONDED SEAL	4		
3	TA00034085C	취부대	MOUNTING SUPPORT	1		
4	TA00033964A	브래킷	BRACKET	1		
6	TA00033978B	볼트	BOLT	2		
7	TA00033965A	브래킷 A	BRACKET A	3		
8	TA00033155A	마찰판	FRICTION PLATE	1		
9	TA00034008A	D 레버 조합	LEVER, D-CONTROL	1		
10	TA00033966A	플레이트 A	PLATE A	3		
11	TA00042363A	P레버 조합(복미)	POSITION LEVER ASSY(US)	1		
12	TA00033901B	스프링	SPRING	1		
13	26716-080002	육각너트	NUT,HEX (D8)	4	M8xP1.25	
14	TA00058250A	오토 노브 조합	LEVER, D-CONTROL	1		
15	26023-040102	와셔조립납땜작은나사(SW+PW)	SCREW W/WASHER	1	M4X10	
16	TA00056011A	위치제어 노브 조합	LEVER, P-CONTRON	1		
17	26023-040162	와셔조립납땜작은나사(SW+PW)	SCREW	1	M4X16	
18	TA00033156B	견인제어레버암	LEVER ARM, DRAFT	1		

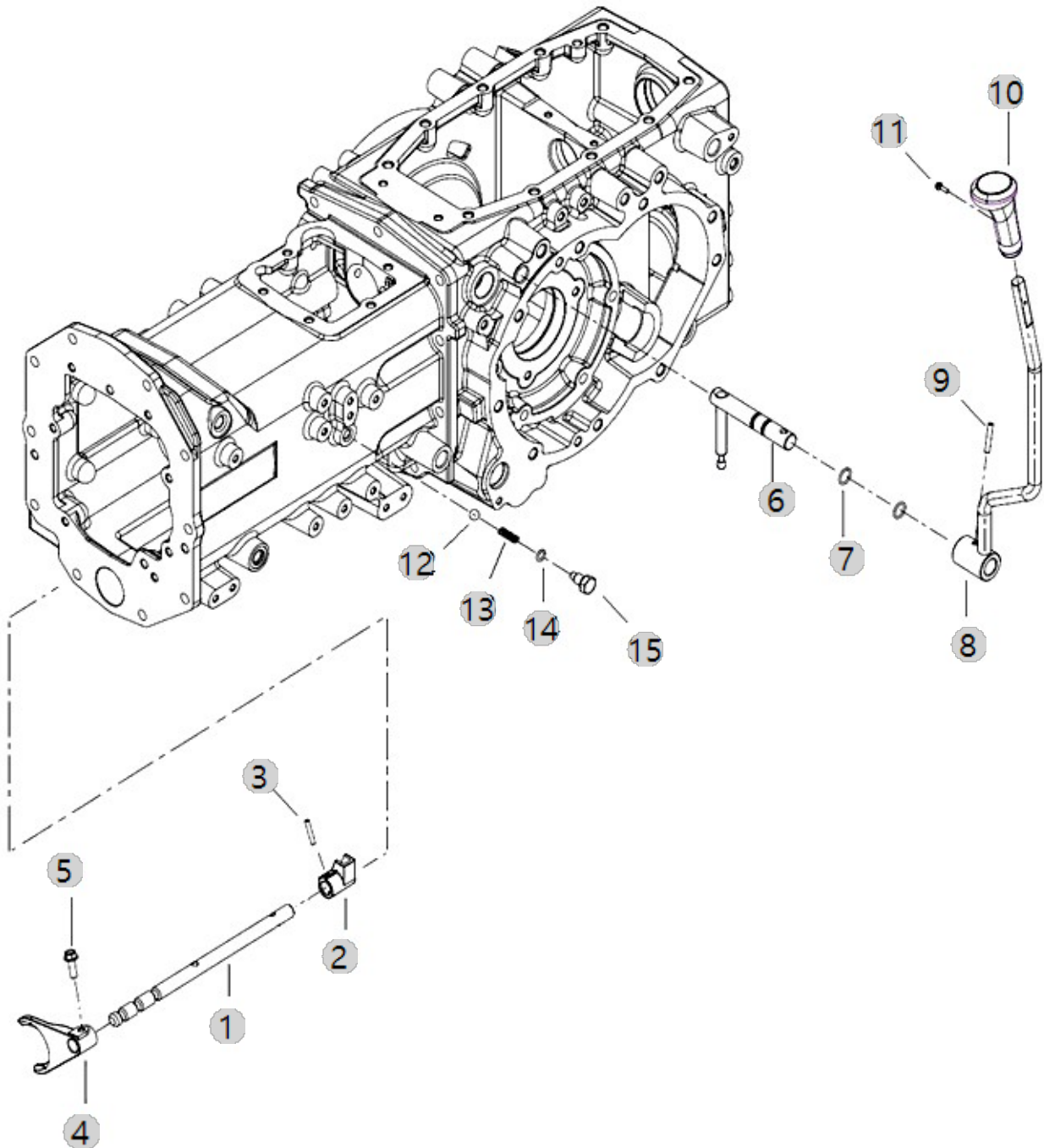
F11020

BRANSON 15H
TM_US_FL(AC01917)

LEVER ASS'Y, RANGE SHIFT

Year/Month

2022-12-15



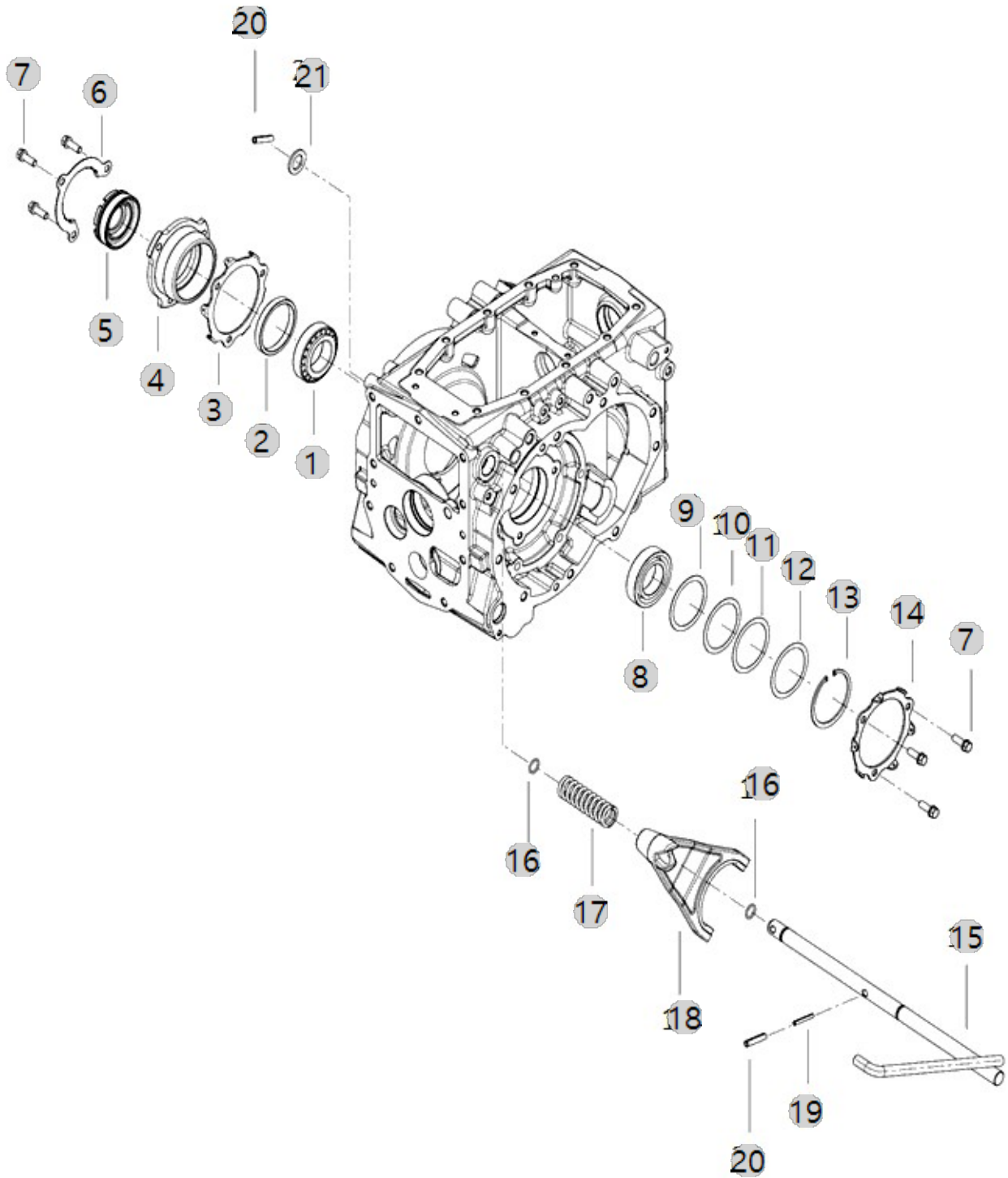
F11060

BRANSON 15H
TM_US_FL(AC01917)

DIFF. LOCK PEDAL

Year/Month

2022-12-15



F11080

BRANSON 15H
TM_US_FL(AC01917)

4WD LEVER

Year/Month

2022-12-15

