

4215R_US_FL(AC02161) TRACTOR

Parts Catalogue



CONTENTS

GROUP NO	GROUP NAME	PAGE
G. ENGINE		
A01_006	CYLINDER BLOCK	6
A02_005	DRIVE PULLY	8
A03_004	CRANK SHAFT PULLEY	10
A04_005	GLOW PLUG ASS'Y OPTION	12
A05_005	CRANK SHAFT ASS'Y OPTION	14
A06_004	BREATHER OPTION	16
A07_005	CAMSHAFT	18
A08_003	ALTERNATOR	20
A09_003	COOLING WATER PUMP	22
A10_010	COOLING FAN SPACER	24
A11_008	INJECTOR	26
A12_008	FUEL INJECTON	28
A13_005	PLUMBING, FUEL	30
A14_003	FUEL FILTER BRACKET	33
A16_018	FUEL FILTER ASS'Y OPTION	35
A17_014	INTAKE MANIFOLD ASS'Y OPTION	37
A18_011	FLYWHEEL	39
A19_007	FLYWHEEL HOUSING	41
A20_010	HEAD, CYLINDER	43
A21_004	HEAD COVER	45
A23_009	TURBOCHARGER SUPPORT ASS'Y OPTION	47
A25_002	OIL JET ASS'Y OPTION	49
A26_005	COOLER, ENGINE OIL	51
A27_005	OIL PAN ASS'Y OPTION	53
A28_001	PUMP, LUBRICATING OIL	55
A29_005	FILTER, LUBRICATING OIL	57
A30_003	FRONT GEAR ACCESSORY DRIVE	59
A31_005	PISTON	61
A32_003	LEVER, LOCKER	63
A35_002	IDLE GEAR	65
A36_004	COVER, FRONT GEAR	67
A37_001	BALANCE ASS'Y	69
A38_009	GAUGE, OIL LEVEL	71
A39_001	OIL FILLER CAP	73

CONTENTS

GROUP NO	GROUP NAME	PAGE
G. ENGINE		
A40_003	LIFT ASS'Y OPTION	75
A42_003	MOTER, STARTIONS	77
A43_001	DPF SUPPORT OPTION	79
A44_006	DPF MOUNTING OPTION	81
A45_011	DPF	83
A48_006	V-BELT	85
B. ENGINE ACCESSORIES		
B01010	(FUEL TANK)	87
B02020	(RADIATOR)	89
B03010	(AIR CLEANER)	91
B05011	(LEVER ACCELERATOR)	93
C. CLUTCH, BREAK, LEVER		
C02010-B	(BRAKE PEDAL)	95
C02050	(PARKING BRAKE)	97
C04010	(SHUTTLE ASS'Y)	99
D. HYDRAULIC		
D01010-B	(HYD PUMP)	101
D01020-B	(LOW PRESSURE PIPE)	103
D01040	(HYD FILTER)	105
D02010	(STEERING COLUMN)	107
D02030	(P.S.T HOSE)	109
D02040	(P.S.T CYLINDER)	111
E. FRONT AXLE		
E01010	(FRONT AXLE CASE)	113
E01013	(SPACER)	115
E01030	(GEAR CASE, FRONT AXLE)	117
E01070	(FRONT DRIVE SHAFT)	119
E01080	(TIE ROD)	121
F. TRANSMISSION		
F01010-B	(CLUTCH HOUSING)	123
F01020	(TRANSMISSION CASE)	125
F01030	(REAR AXLE HOUSING)	127
F02010	(CLUTCH RELEASE)	129
F02020	(CLUTCH SHAFT)	131

CONTENTS

GROUP NO	GROUP NAME	PAGE
F. TRANSMISSION		
F03010	(MAIN SHIFT DRIVE SHAFT)	133
F03040	(RANGE SHIFT DRIVE SHAFT)	135
F04010	(FRONT DRIVE SHAFT)	137
F05020	RING GEAR&DIFF.GEAR ASS'Y	139
F05020	(REAR DIFFERENTIAL ASS'Y)	141
F06030	(BRAKE)	143
F07030	(PTO DRIVE SHAFT)	145
F07070	(MAIN P.T.O SHAFT)	147
F08021	(FORK, PTO SHIFT)	149
F08060	(FORK, MAIN SHIFT)	151
F10010	(CASE, HYD CYLINDER)	153
F10020	(LIFT ARM)	155
F10030	(SAFETY VALVE)	157
F10031	(RELIEF)	159
F10040	(STOP VALVE)	161
F10061	(DRAFT/POSITION CONTROL LEVER)	163
F10063	(DRAFT CONTROL)	165
F10064	(POSITION CONTROL LEVER)	167
F11020	(LEVER ASS'Y, RANGE SHIFT)	169
F11060	(DIFFERENTIAL LOCK)	171
F11080	(4WD LEVER)	173
G. SHEET METAL, CABIN		
G01020	BONNET	175
G01040	LOCKING ASS'Y, BONNET	177
G01060-B	(BONNET SUPPORT)	179
G01062	FIXED BRACKET, BONNET	181
G01080	FRONT AXLE BRACKET	183
G04060	FOOT REST ASS'Y	185
G04070	SEAT	187
G04090	FENDER	189
G04120	ROPS FRAME ASS'Y	191
G05020	TOP LINK	193
G05030	LOWER LINK	195
G05050	LIFT LINK	197

CONTENTS

GROUP NO	GROUP NAME	PAGE
G. SHEET METAL, CABIN		
G05070	DRAWBAR HITCH	199
G05090	SIDE COVER	201
G06010	TOOL BOX & CUP HOLDER	203
H. ELECTRICALS, HARNESS		
H01030	BATTERY	205
H03000	HARNESS	207
H04051	SWITCH/DASHBOARD	209
H04070	CONTROLLER	211
I. WEIGHT, TOOLS, TIRE		
I03000	NAME PLATE	213
I06010	SUN VISOR(OPTION)	215

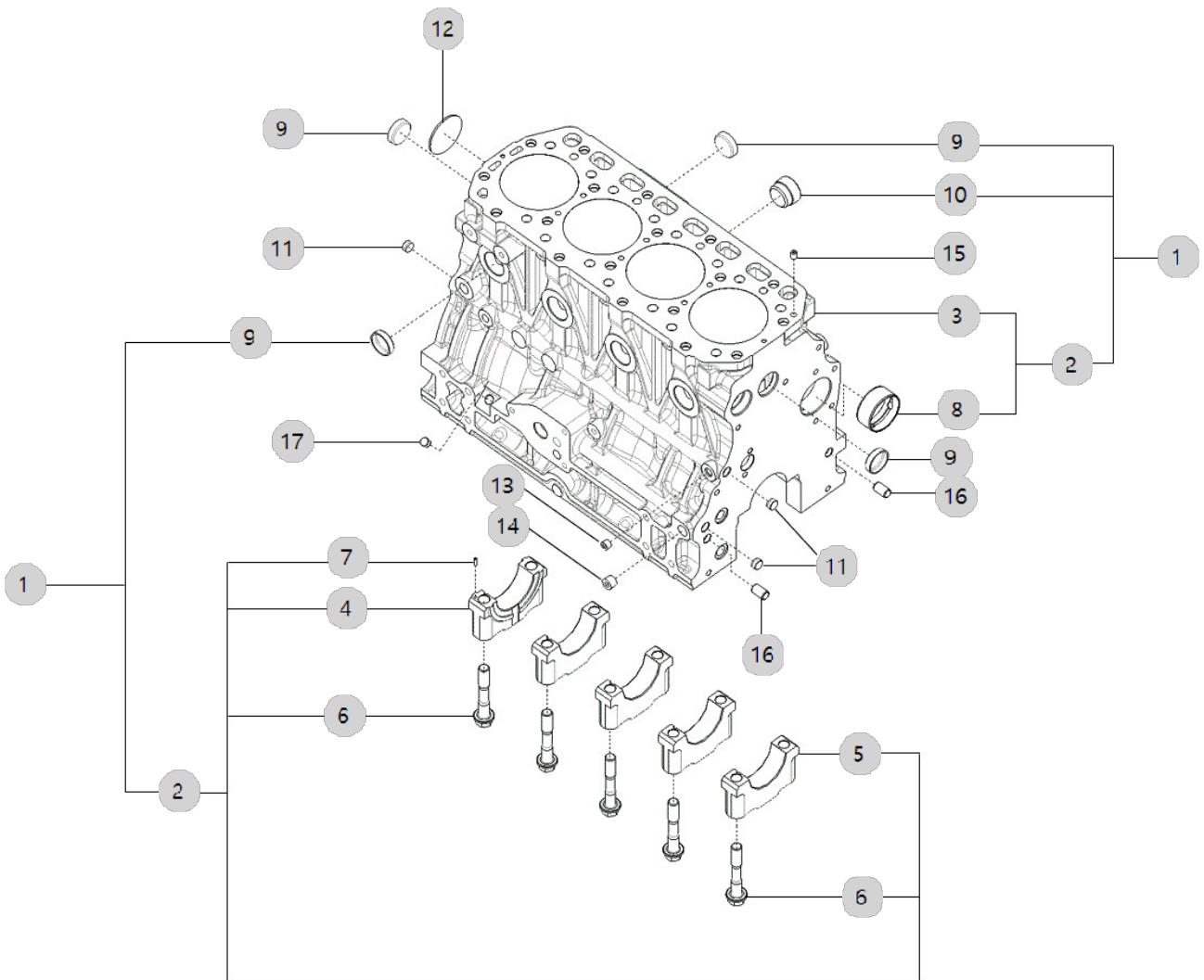
A01_006

A2000N4-UTR_4
(AB00340)

CYLINDER BLOCK

Year/Month

2022-12-15



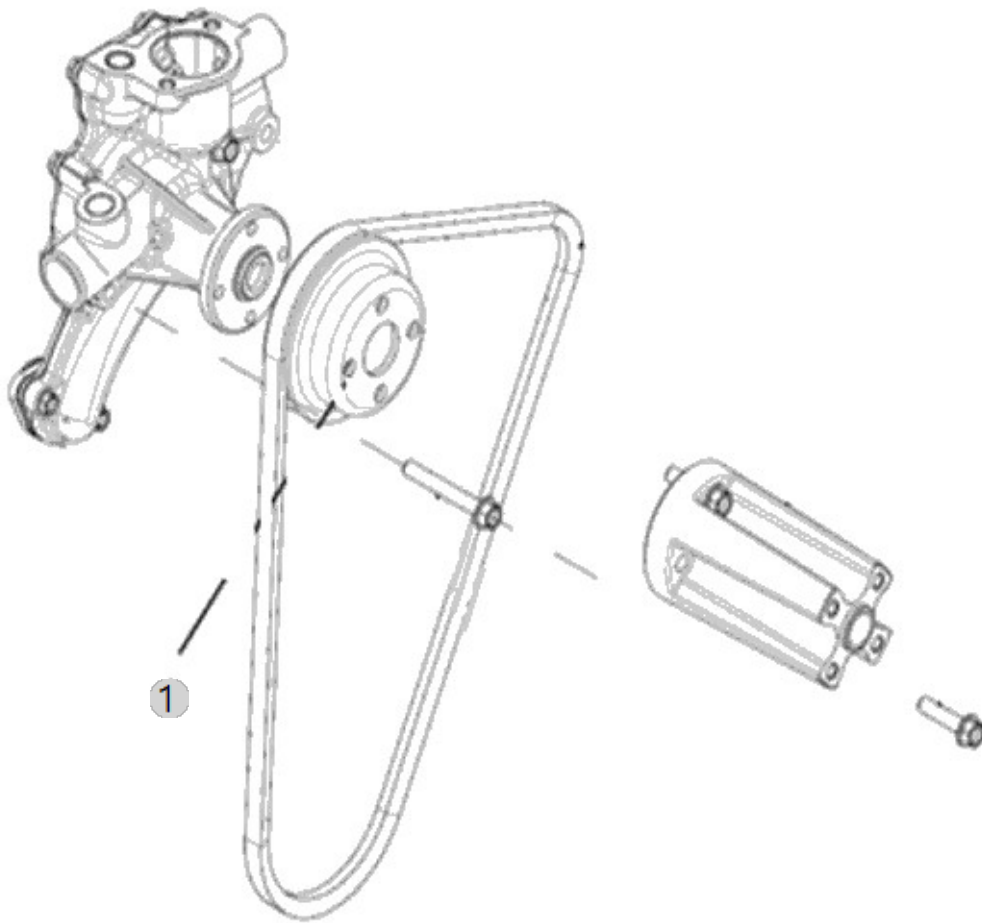
A02_005

A2000N4-UTR_4
(AB00340)

DRIVE PULLEY

Year/Month

2022-12-15



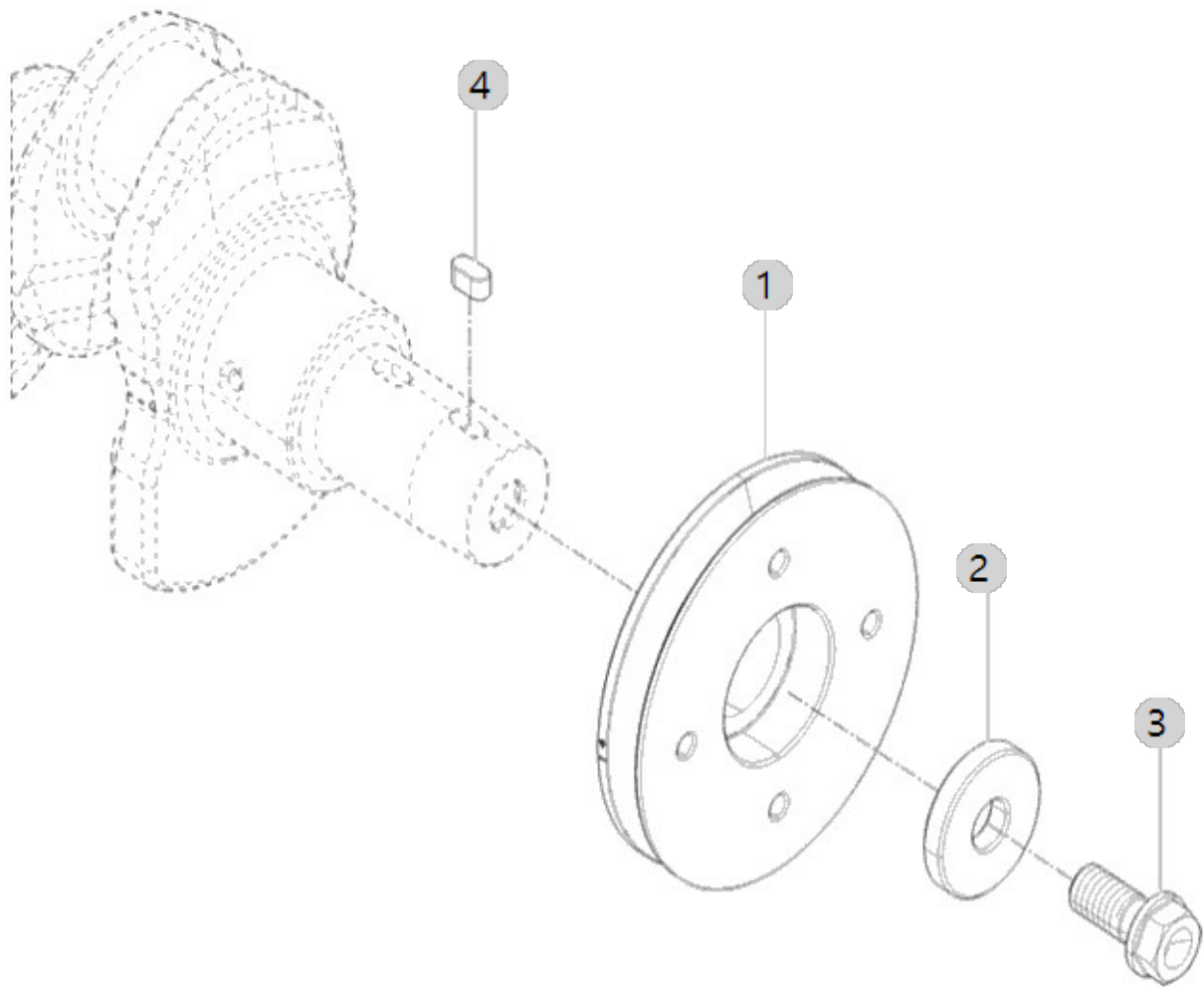
A03_004

A2000N4-UTR_4
(AB00340)

CRANK SHAFT PULLEY

Year/Month

2022-12-15



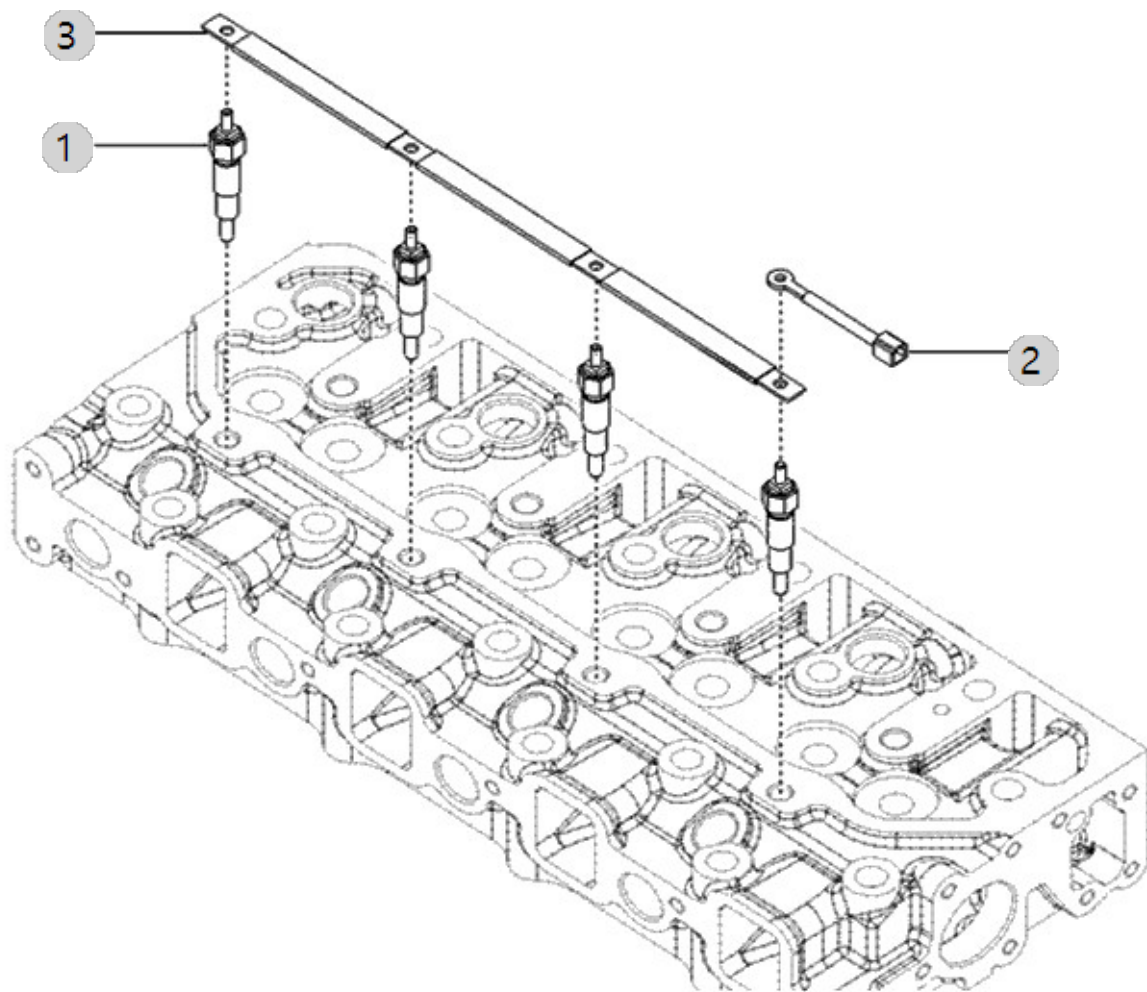
A04_005

A2000N4-UTR_4
(AB00340)

GLOW PLUG ASS'Y OPTION

Year/Month

2022-12-15



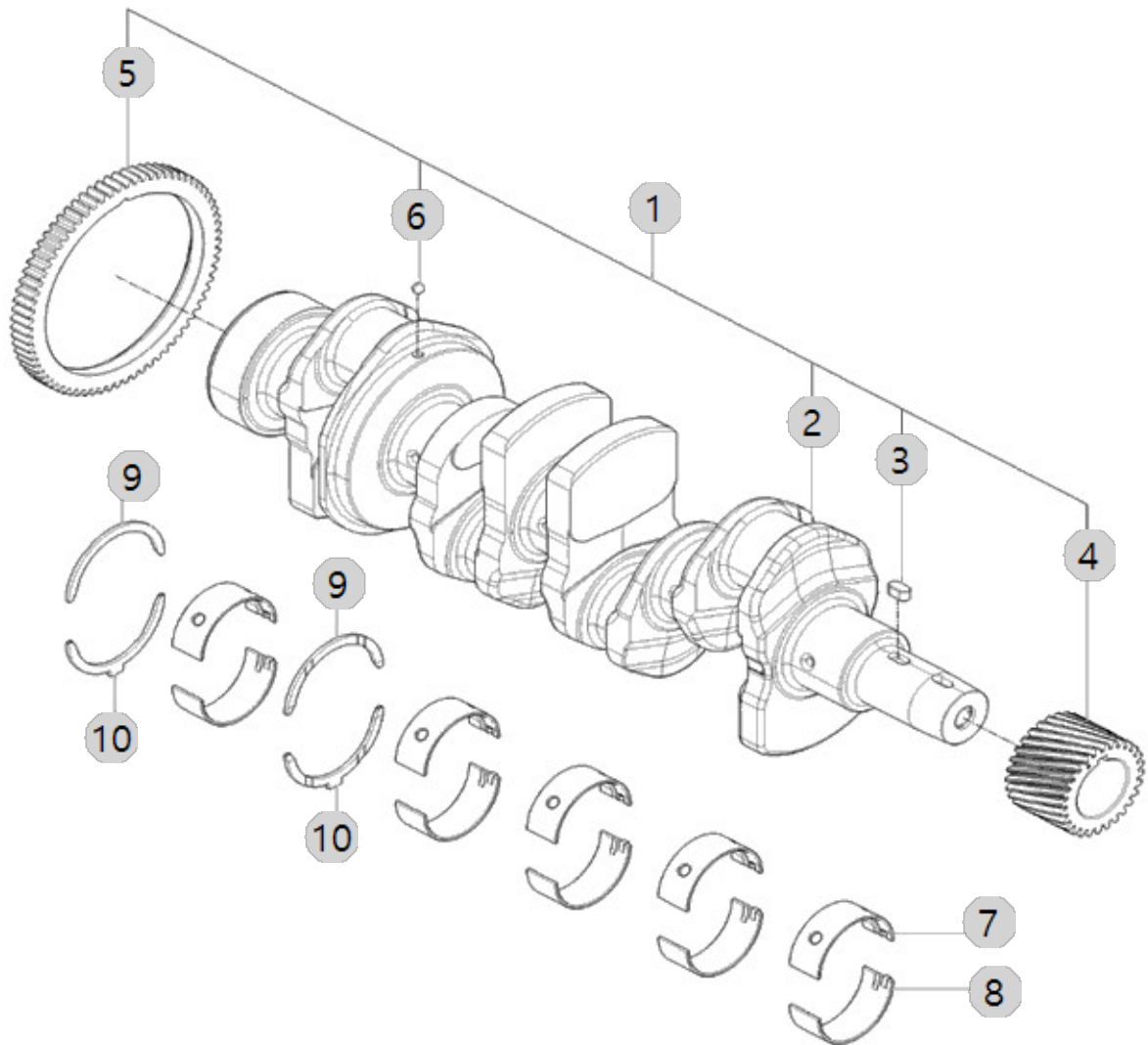
A05_005

A2000N4-UTR_4
(AB00340)

CRANK SHAFT ASS'Y OPTION

Year/Month

2022-12-15



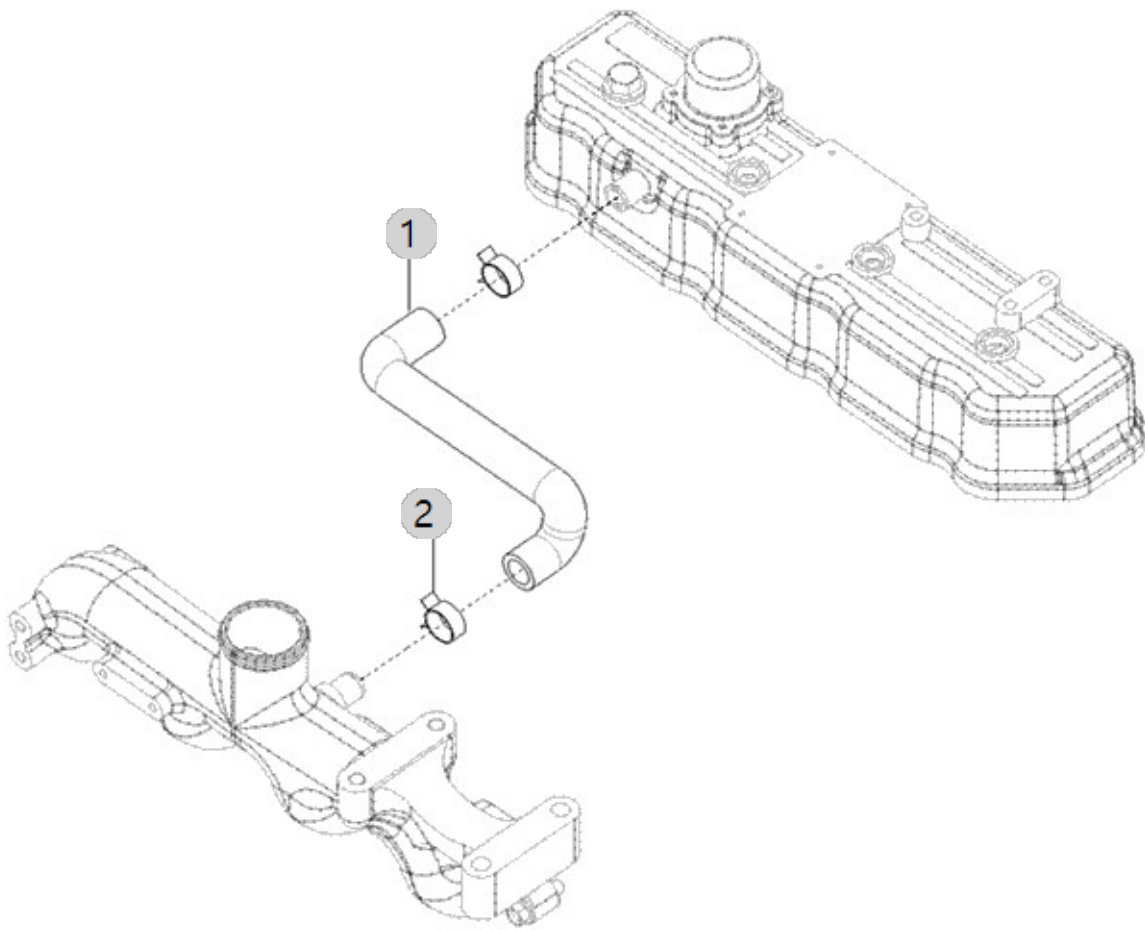
A06_004

A2000N4-UTR_4
(AB00340)

BREATHER OPTION

Year/Month

2022-12-15



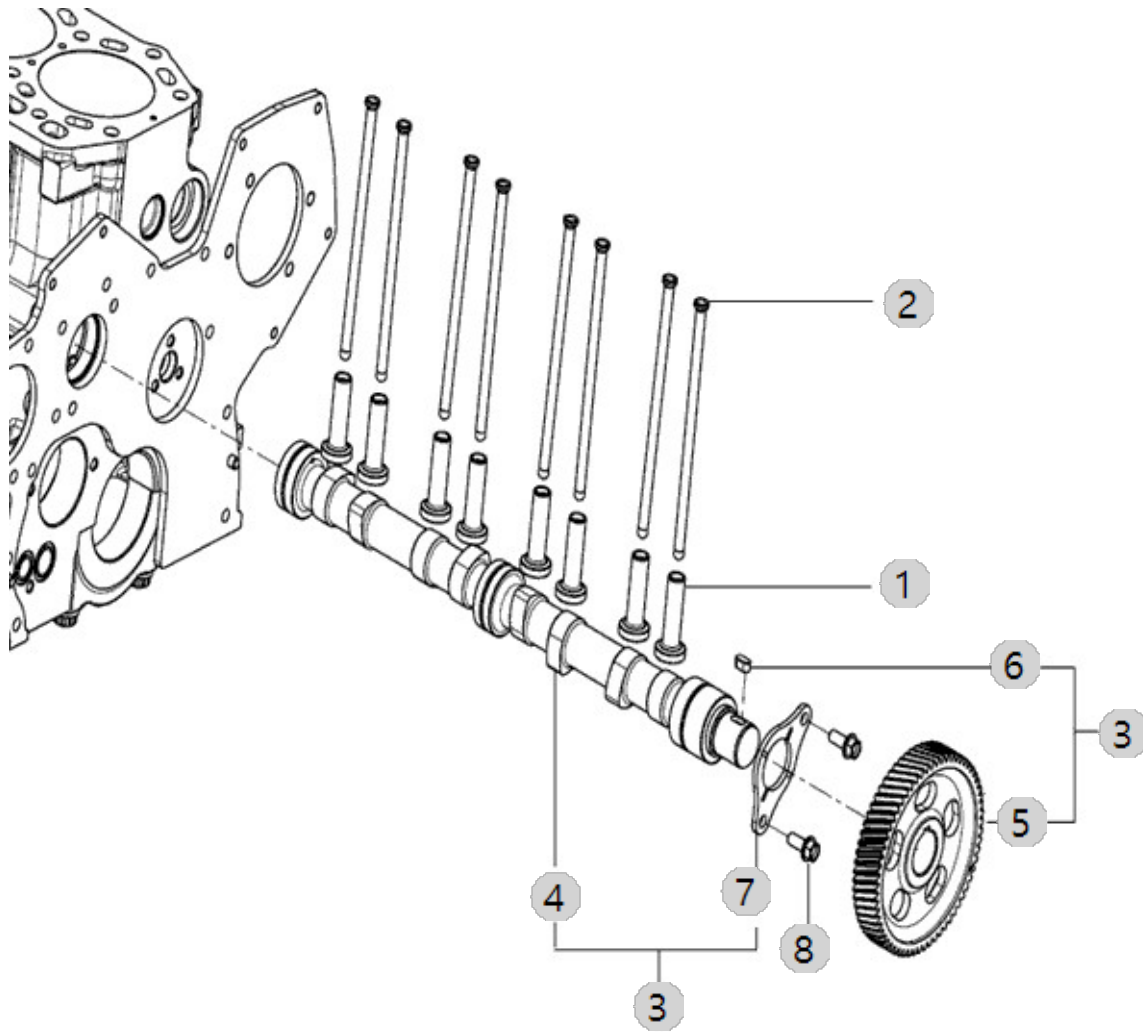
A07_005

A2000N4-UTR_4
(AB00340)

CAMSHAFT

Year/Month

2022-12-15



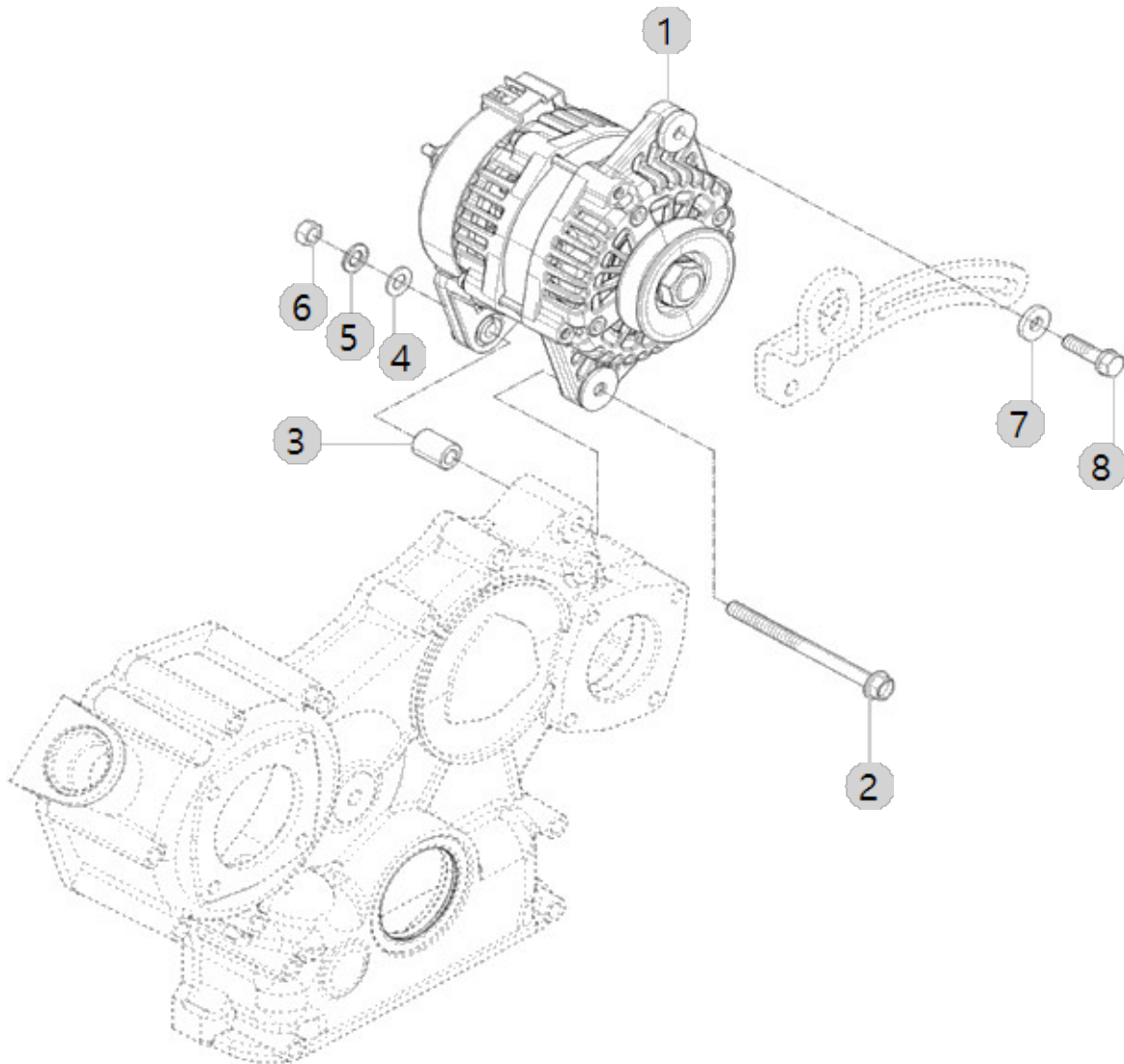
A08_003

A2000N4-UTR_4
(AB00340)

ALTERNATOR

Year/Month

2022-12-15



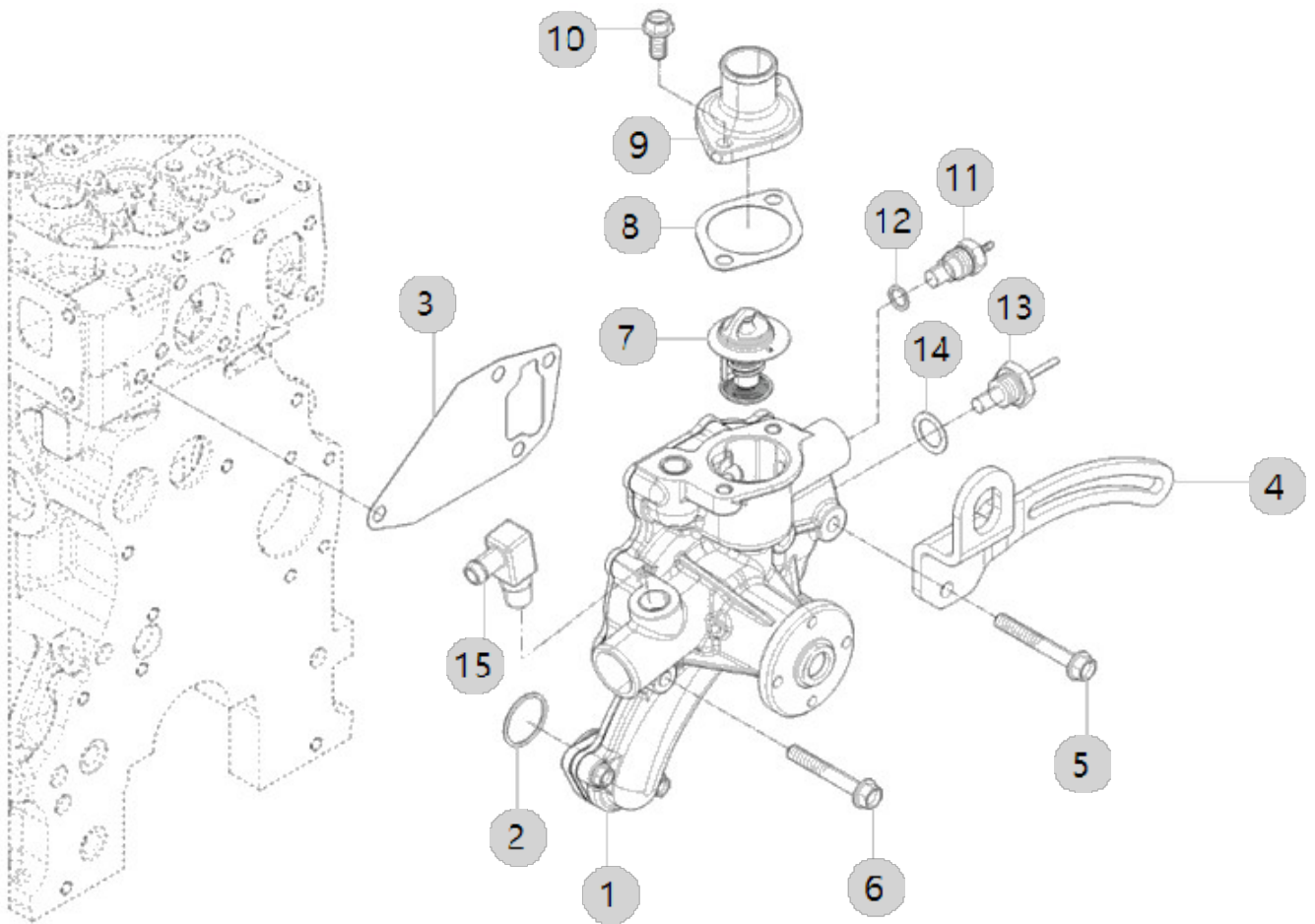
A09_003

A2000N4-UTR_4
(AB00340)

COOLING WATER PUMP

Year/Month

2022-12-15



<p>A09_003 A2000N4-UTR_4 (AB00340)</p>	<p>COOLING WATER PUMP</p>	<p>Year/Month</p>
		<p>2022-12-15</p>

순번 (NO)	부품번호 (PART NO)	품 명 (PART NAME)	품 명 (PART NAME)	수량 (QTY)	규격 (SPEC)	비고 (REMARK)
1	EA00006114B	냉각수펌프조합	WATER PUMP ASS'Y	1		
1	EA00006114A	냉각수펌프조합	WATER PUMP ASS'Y	1		
2	24341-000280	446,ALLO-링S-28	O-RING, FIX (Φ28)	1	S28	
3	HRA1200200B3	패킹(CWP커버외측)	GASKET, WATER PUMP	1	T0.5	
3	HRA1200200A3	냉각수 펌프 가스켓	GASKET,WATERPUMP	1	T0.5	
4	EA00004306A	벨트조정브래킷	BRACKET, ALTERNATOR	1	T6.0	
4	EA00004306B	벨트조정브래킷	BRACKET, ALTERNATOR	1	T6.0	
5	26106-080602	육각플랜지볼트	SCREW,HEXFLANGEHEADCAP	1	M8XP1.25X60	
6	26106-080552	육각플랜지볼트	HEX FLANGE BOLT (D80)	3	M8XP1.25X55	
7	HK10030000A3	260,ALL,서모스탯	THERMOSTAT	1		
8	HA10670000C4	커버패킹	GASKET,WATER PUMP	1	T0.5	
8	HA10670000B4	서모스탯 커버 가스켓	GASKET,THERMOSTAT	1	T0.5	
9	HC09160000B4	커버(서머스타트)	COVER, THERMOSTAT	1		
10	26106-080182	444,ALL,플랜지볼트	SCREW,HEXFLANGEHEADCAP	2		
11	HH12190000A3	수온센서	WATER TEMP SENSOR	1		
12	23414-100014	동패킹	PACKING,COPPER	1	M10	
13	HH12210000A3	센서(에어히터)	SENSOR,GLOW PLUG	1		
14	23414-160000	동패킹	WASHER,SEALING	1	M16	
15	CEE2080000A4	90도엘보3/8-12.6	ELBOW,PLAINUNION	1		

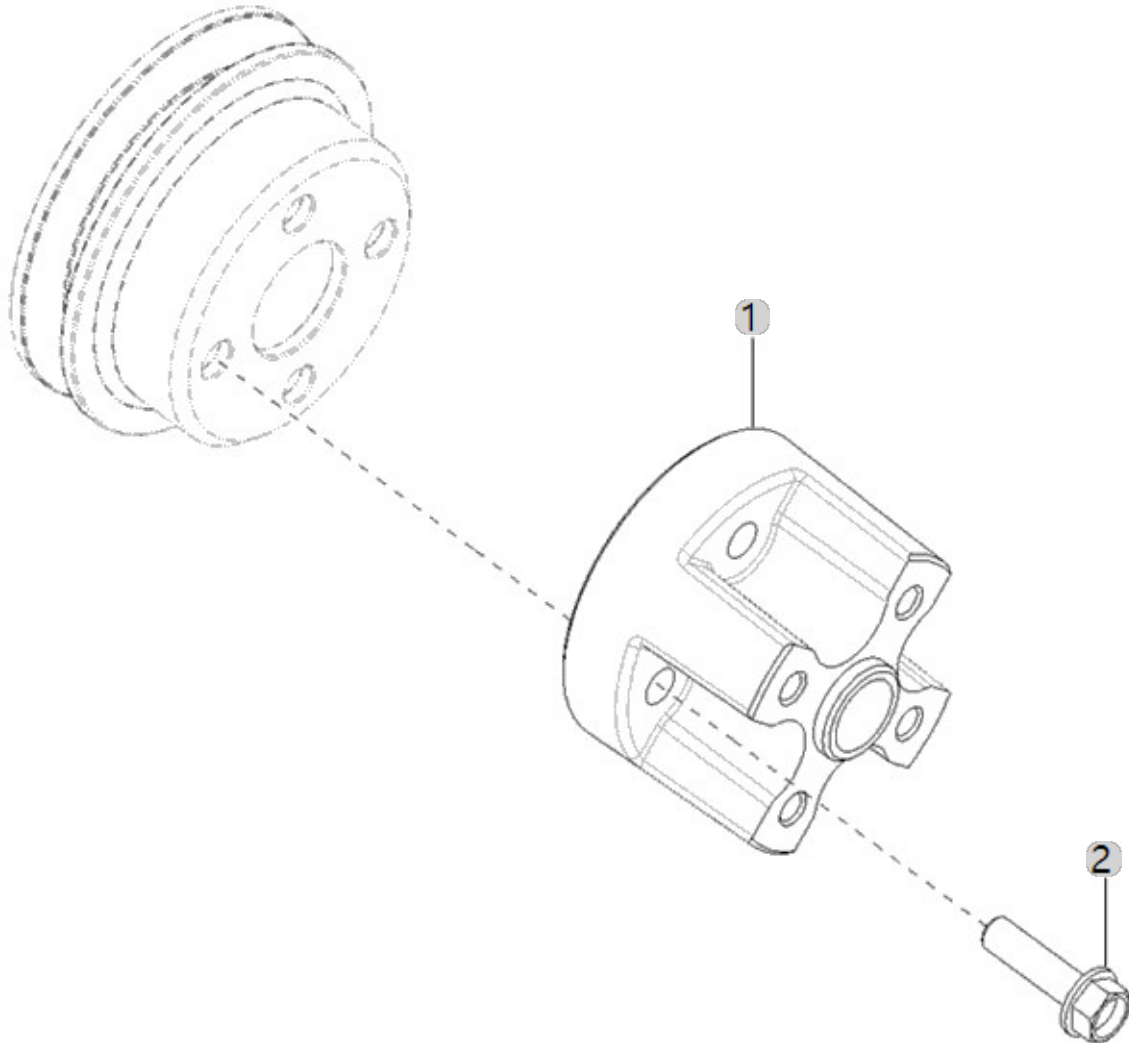
A10_010

A2000N4-UTR_4
(AB00340)

COOLING FAN SPACER

Year/Month

2022-12-15



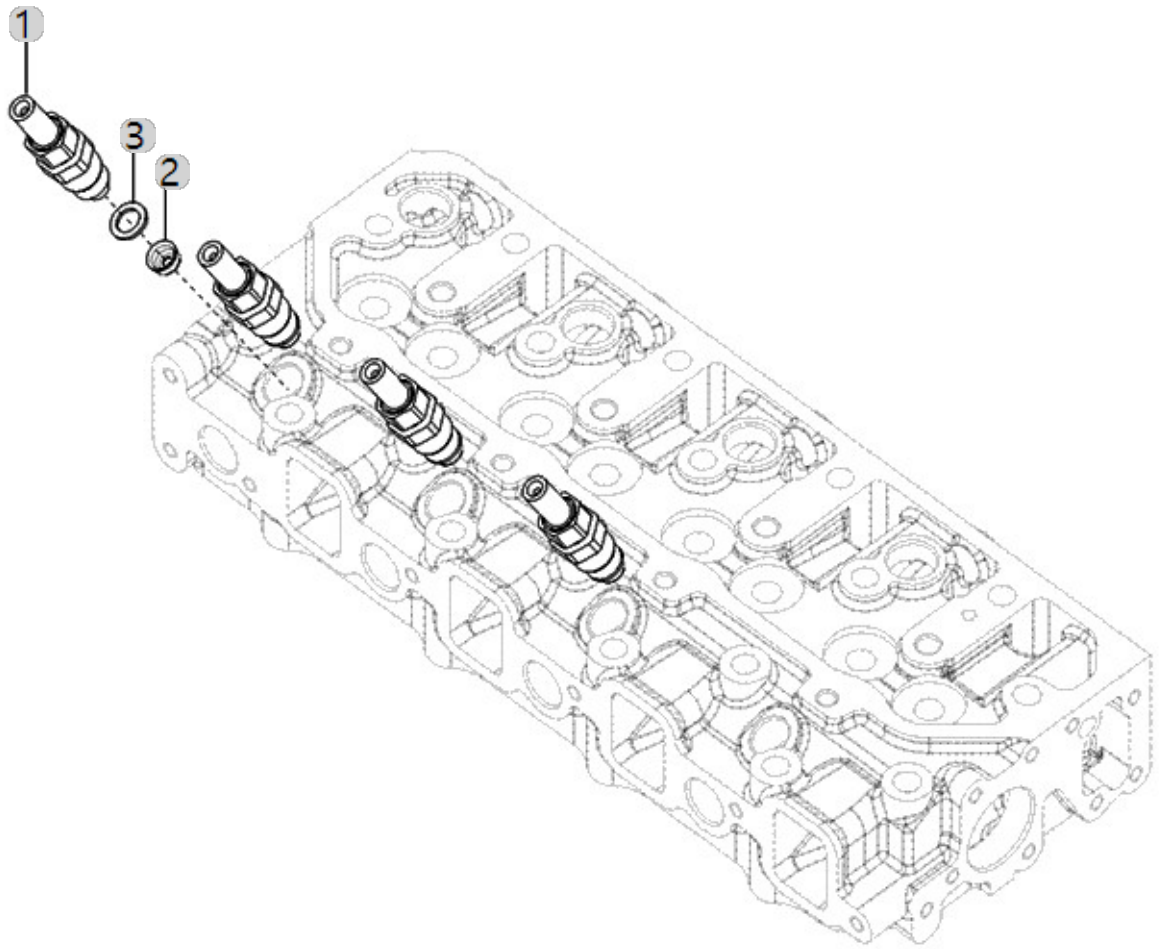
A11_008

A2000N4-UTR_4
(AB00340)

INJECTOR

Year/Month

2022-12-15



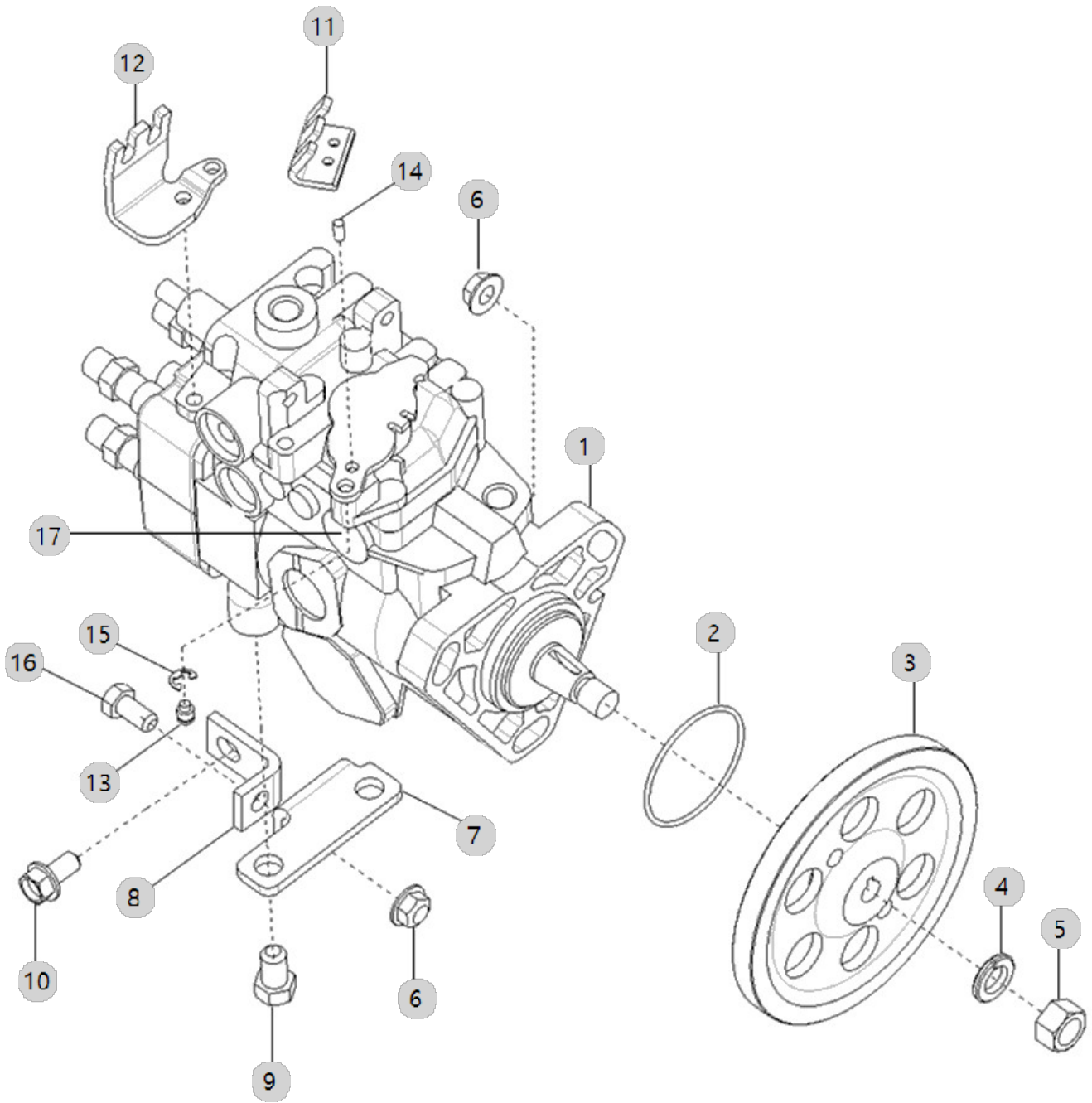
A12_008

A2000N4-UTR_4
(AB00340)

FUEL INJECTOR

Year/Month

2022-12-15



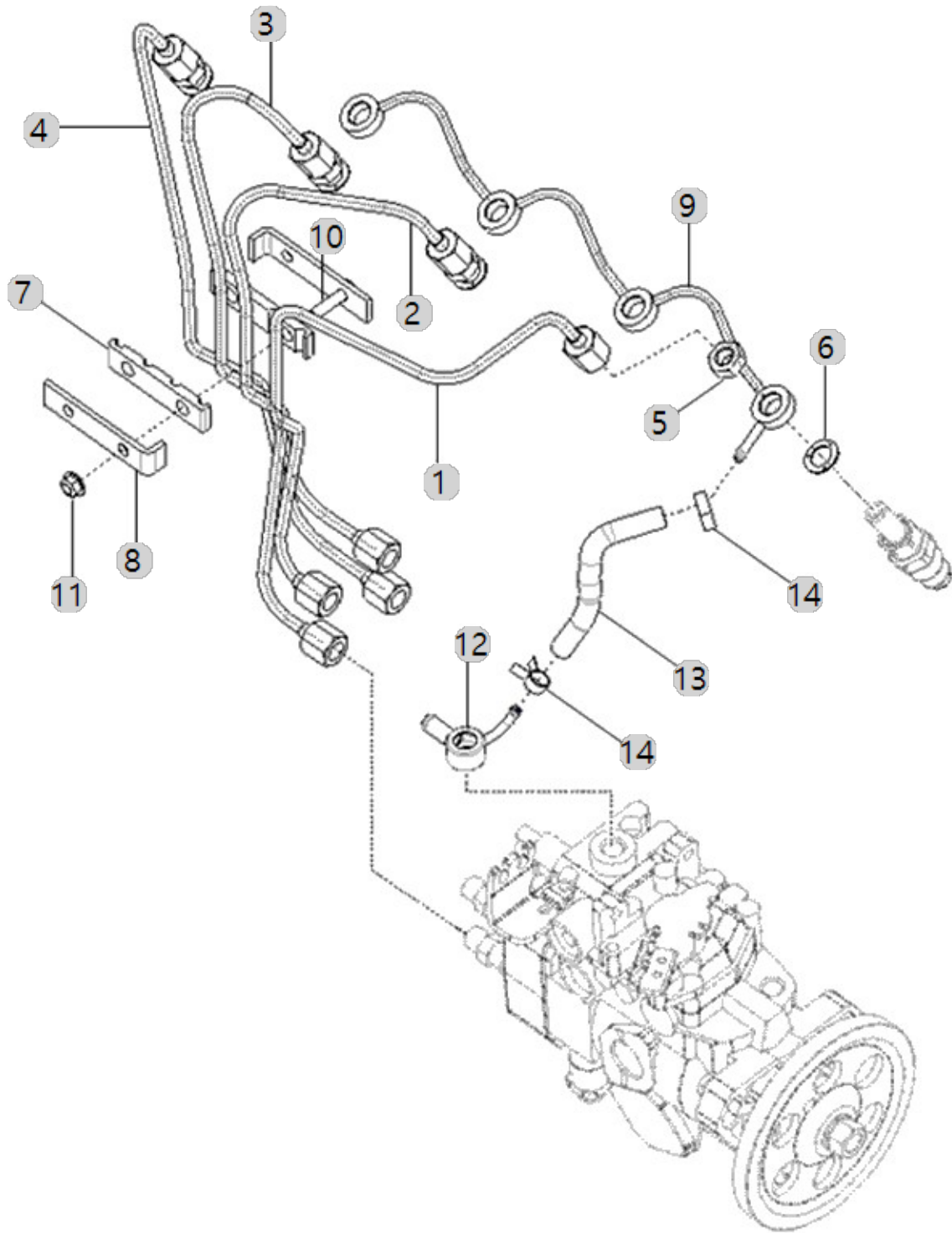
A13_005

A2000N4-UTR_4
(AB00340)

PLUMBING, FUEL

Year/Month

2022-12-15



A13_005 A2000N4-UTR_4 (AB00340)		PLUMBING, FUEL				Year/Month 2022-12-15
순번 (NO)	부품번호 (PART NO)	품명 (PART NAME)	품명 (PART NAME)	수량 (QTY)	규격 (SPEC)	비고 (REMARK)
1	HRA150050DB0	299,A202322,연료파이프조합(A)	PIPE ASSY, FUEL SUPPLY A	1		
1	HRA150050DB0	299,A202322,연료파이프조합(A)	PIPE ASSY, FUEL SUPPLY A	1		
1	HRA150050DC0	연료파이프조합(A)	TUBE,INJECTOR FUEL SUPPLY	1		
1	HRA150050DB0	299,A202322,연료파이프조합(A)	PIPE ASSY, FUEL SUPPLY A	1		
2	HRA150060DB0	300,A202322,연료파이프조합(B)	PIPE ASSY, FUEL SUPPLY (B)	1		
2	HRA150060DC0	연료파이프조합(B)	TUBE,INJECTOR FUEL SUPPLY	1		
2	HRA150060DB0	300,A202322,연료파이프조합(B)	PIPE ASSY, FUEL SUPPLY (B)	1		
2	HRA150060DB0	300,A202322,연료파이프조합(B)	PIPE ASSY, FUEL SUPPLY (B)	1		
3	HRA150070DB0	301,A202322,연료파이프조합(C)	PIPE ASSY, FUEL SUUPPLY C	1		
3	HRA150070DB0	301,A202322,연료파이프조합(C)	PIPE ASSY, FUEL SUUPPLY C	1		
3	HRA150070DC0	연료파이프조합(C)	TUBE,INJECTOR FUEL SUPPLY	1		
3	HRA150070DB0	301,A202322,연료파이프조합(C)	PIPE ASSY, FUEL SUUPPLY C	1		
4	HRA150080DC0	연료파이프조합(D)	TUBE,INJECTOR FUEL SUPPLY	1		
4	HRA150080DB0	302,A202322,연료파이프조합(D)	PIPE ASSY, FUEL SUPPLY D	1		
4	HRA150080DB0	302,A202322,연료파이프조합(D)	PIPE ASSY, FUEL SUPPLY D	1		
4	HRA150080DB0	302,A202322,연료파이프조합(D)	PIPE ASSY, FUEL SUPPLY D	1		
5	HK13450000A4	육각고정너트	NUT,REGULARHEXAGON	4	M12X1.5	
5	HK13450000A4	육각고정너트	NUT,REGULARHEXAGON	4	M12X1.5	
5	HK13450000A4	육각고정너트	NUT,REGULARHEXAGON	4	M12X1.5	
5	HK13450000A4	육각고정너트	NUT,REGULARHEXAGON	4	M12X1.5	
6	HK13440000A4	306,ALL,패킹(조인트)(와류실)	GASKET,FUELMANIFOLD	4		
6	HK13440000A4	306,ALL,패킹(조인트)(와류실)	GASKET,FUELMANIFOLD	4		
6	HK13440000A4	306,ALL,패킹(조인트)(와류실)	GASKET,FUELMANIFOLD	4		
6	HK13440000A4	306,ALL,패킹(조인트)(와류실)	GASKET,FUELMANIFOLD	4		
7	HRA1502700A4	462,ALL,브래킷고무	RUBBER,BRACKET	2		
7	HRA1502700A4	462,ALL,브래킷고무	RUBBER,BRACKET	2		
7	HRA1502700A4	462,ALL,브래킷고무	RUBBER,BRACKET	2		
7	HRA1502700A4	462,ALL,브래킷고무	RUBBER,BRACKET	2		
8	HRA1502800A4	브래킷판	CLAMP,TUBE	2	T 3.2	
8	HRA1502800A4	브래킷판	CLAMP,TUBE	1	T 3.2	
8	HRA1502800A4	브래킷판	CLAMP,TUBE	1	T 3.2	
8	HRA1502800A4	브래킷판	CLAMP,TUBE	1	T 3.2	
8	HRA1502800B4	브래킷판	CLAMP,TUBE	2	T 3.2	
9	HRA1500900C3	퇴유파이프조합	PIPE ASSY, FUEL RETURN	1		
9	HRA1500900D3	퇴유파이프조합	PIPE ASSY, FUEL	1		
9	HRA1500900C3	퇴유파이프조합	PIPE ASSY, FUEL RETURN	1		
9	HRA1500900C3	퇴유파이프조합	PIPE ASSY, FUEL RETURN	1		
10	HRA1502600B4	브래킷(연료파이프)	BRACKET,PIPE	1		
10	HRA1502600B4	브래킷(연료파이프)	BRACKET,PIPE	1		
10	HRA1502600B4	브래킷(연료파이프)	BRACKET,PIPE	1		
10	HRA1502600B4	브래킷(연료파이프)	BRACKET,PIPE	1		
11	26367-060002	플랜지너트	Nut, Hexa (Φ6)	2	M6XP1.0	
11	26367-060002	플랜지너트	Nut, Hexa (Φ6)	2	M6XP1.0	
11	26367-060002	플랜지너트	Nut, Hexa (Φ6)	2	M6XP1.0	
11	26367-060002	플랜지너트	Nut, Hexa (Φ6)	2	M6XP1.0	

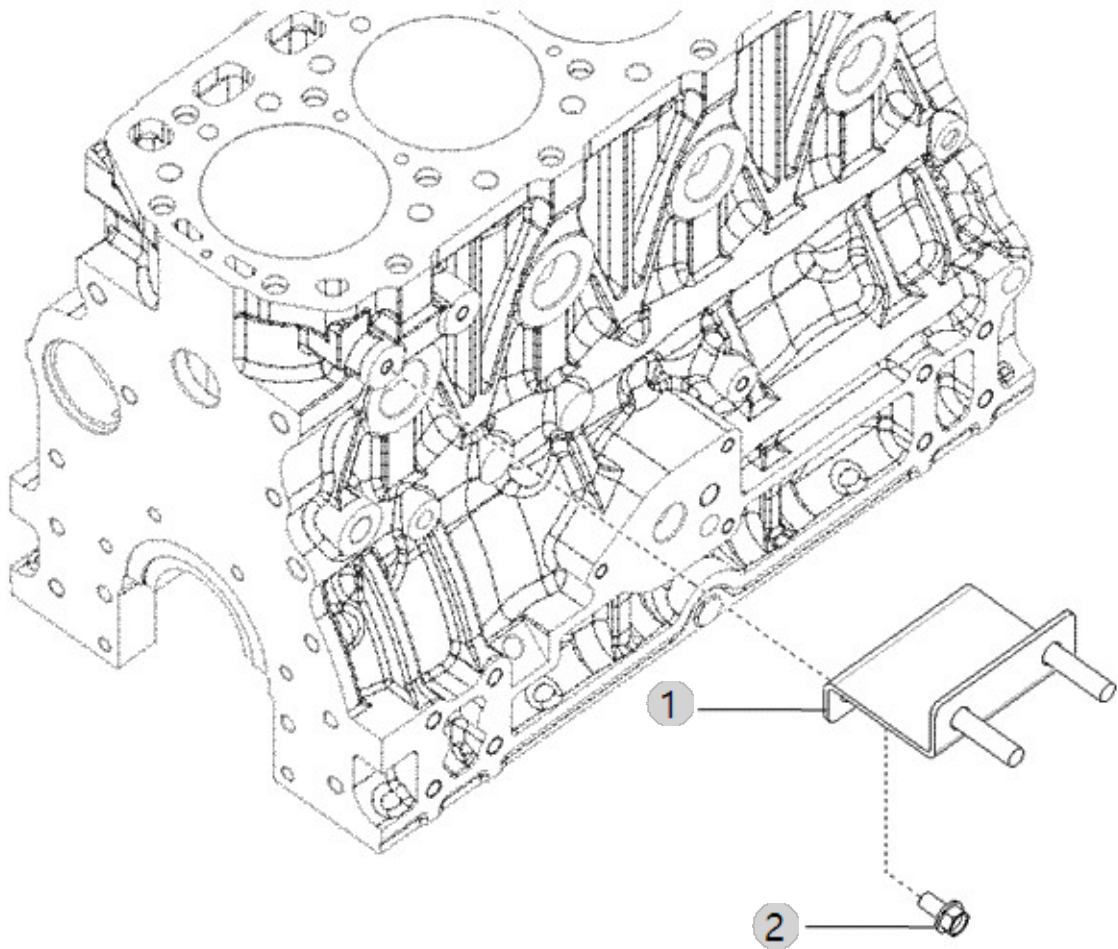
A14_003

A2000N4-UTR_4
(AB00340)

FUEL FILTER BRACKET

Year/Month

2022-12-15



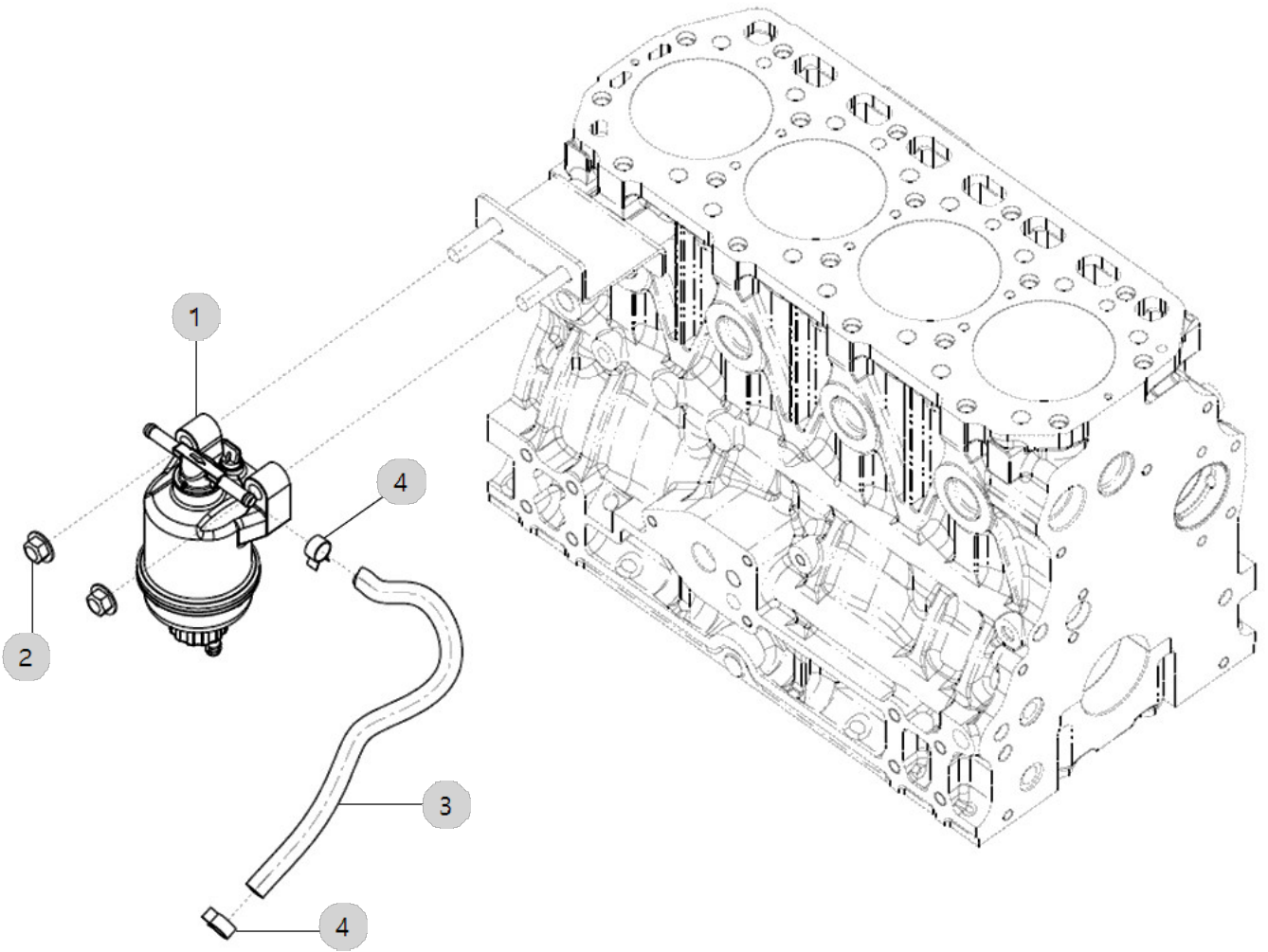
A16_018

A2000N4-UTR_4
(AB00340)

FUEL FILTER ASS'Y OPTION

Year/Month

2022-12-15



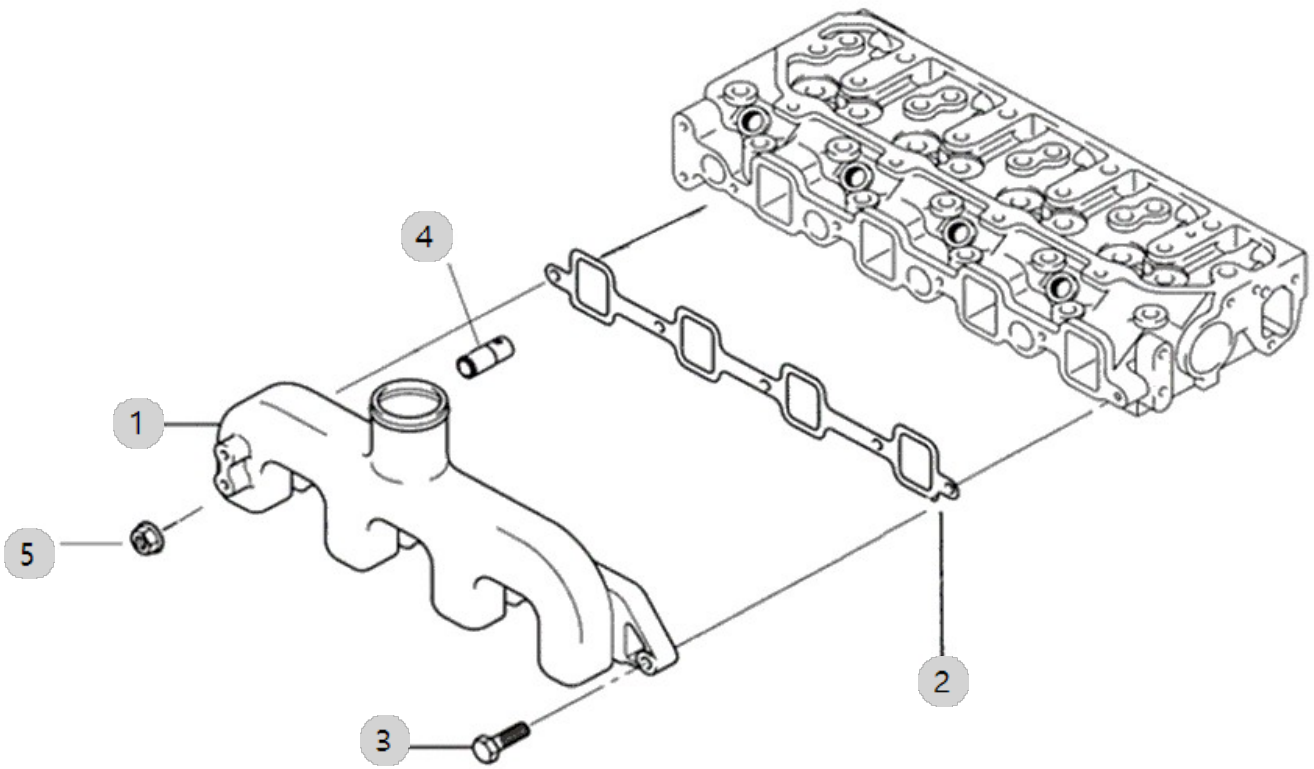
A17_014

A2000N4-UTR_4
(AB00340)

INTAKE MANIFOLD ASS'Y OPTION

Year/Month

2022-12-15



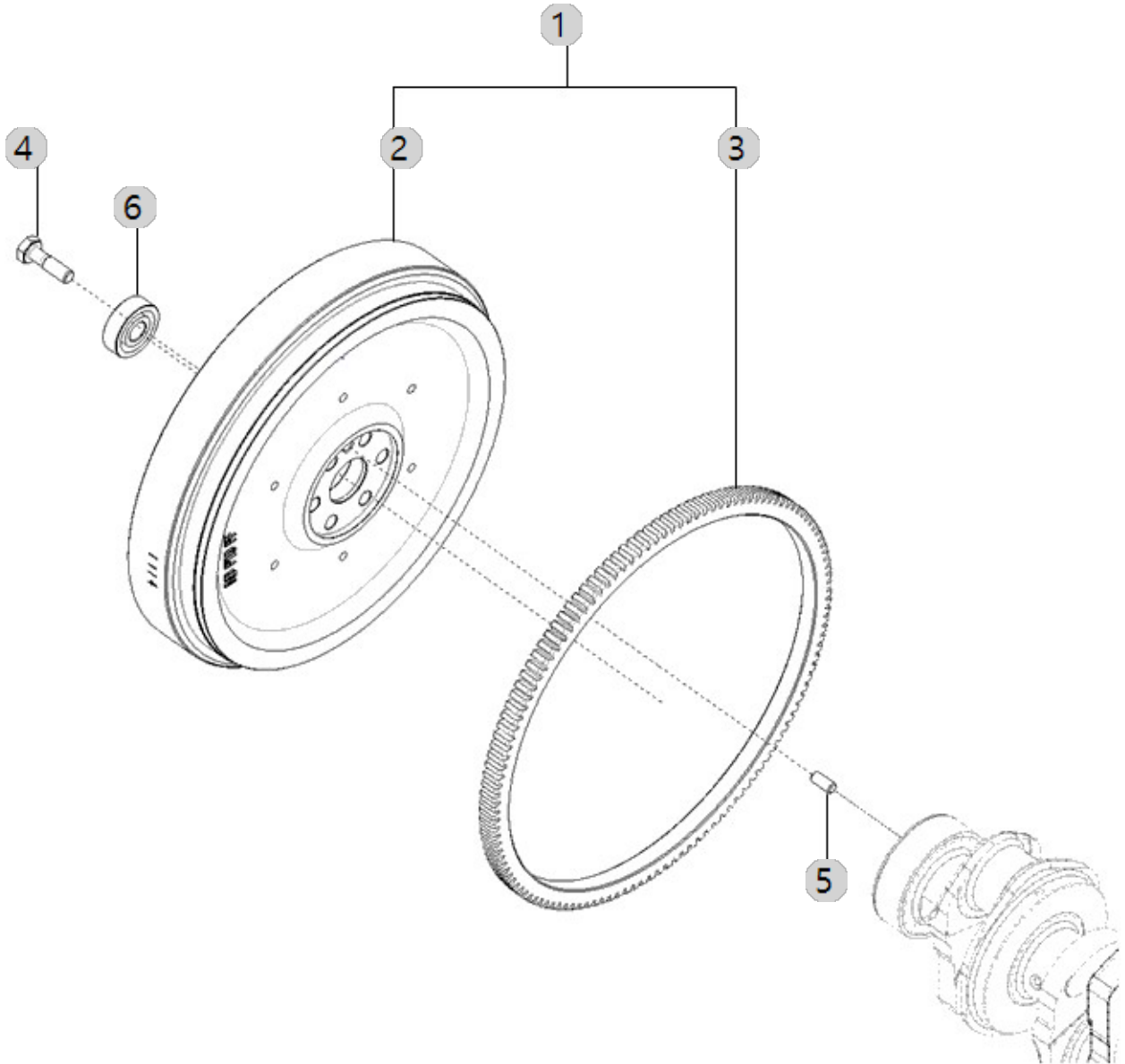
A18_011

A2000N4-UTR_4
(AB00340)

FLYWHEEL

Year/Month

2022-12-15



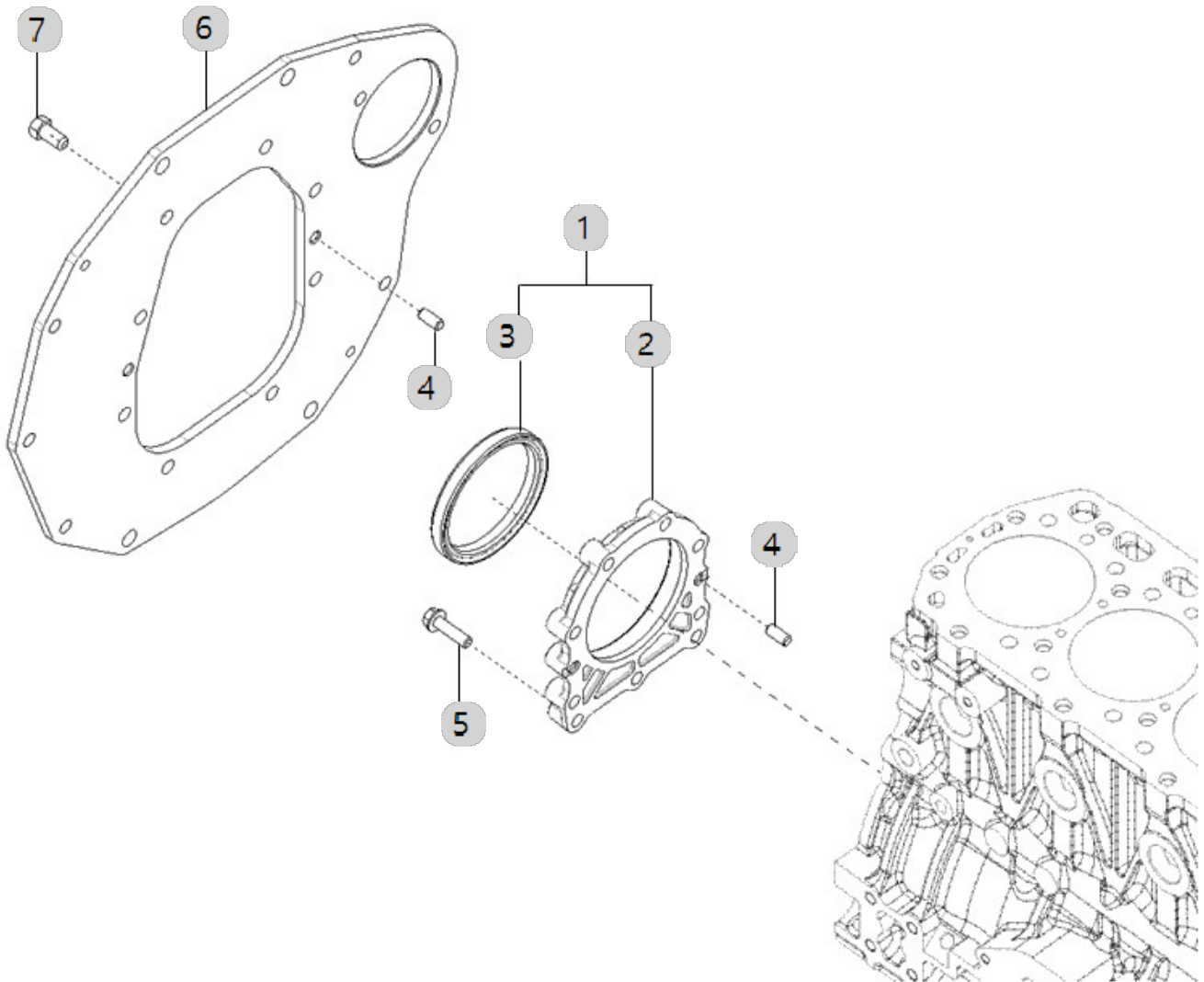
A19_007

A2000N4-UTR_4
(AB00340)

FLYWHEEL HOUSING

Year/Month

2022-12-15



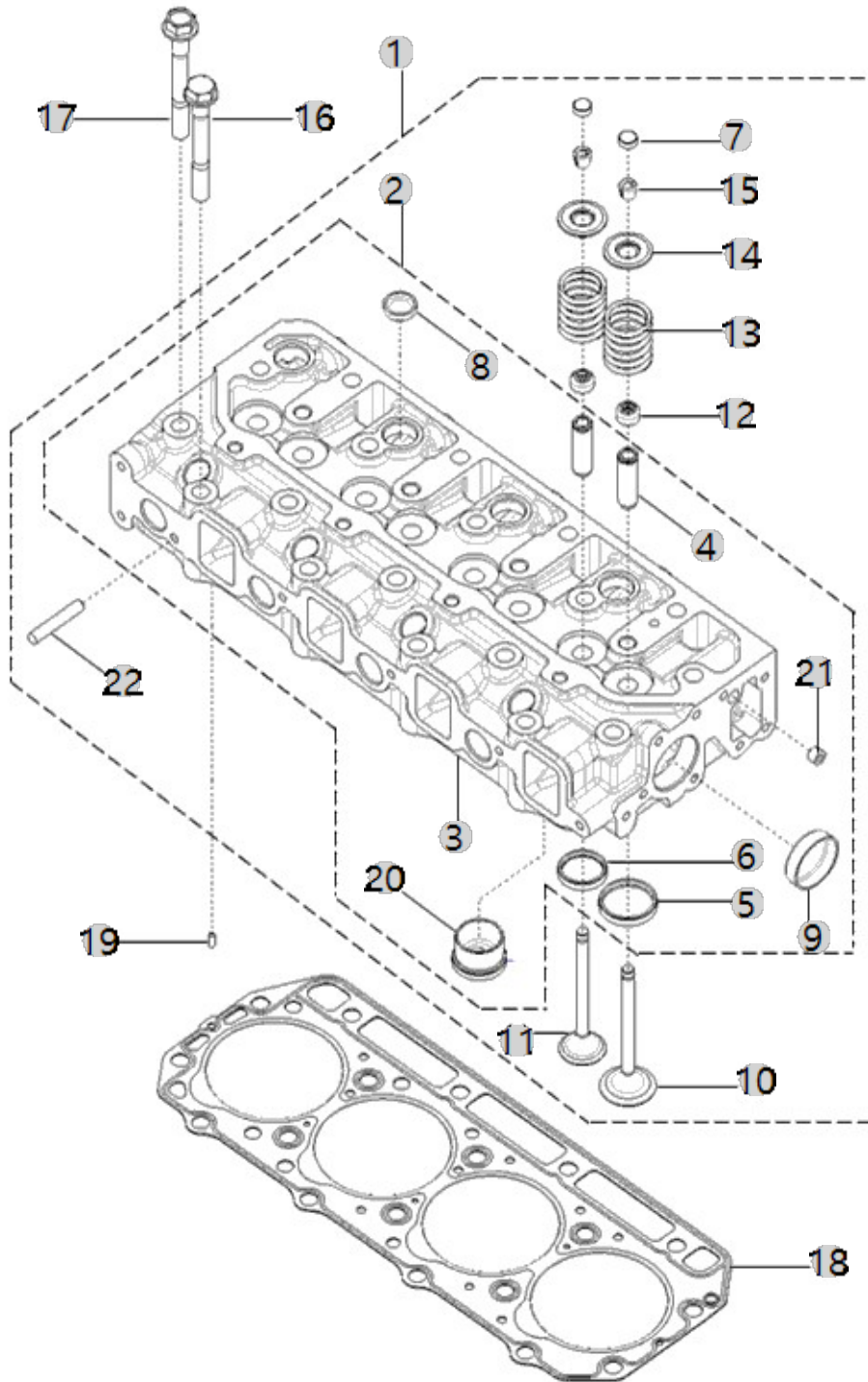
A20_010

A2000N4-UTR_4
(AB00340)

HEAD, CYLINDER

Year/Month

2022-12-15



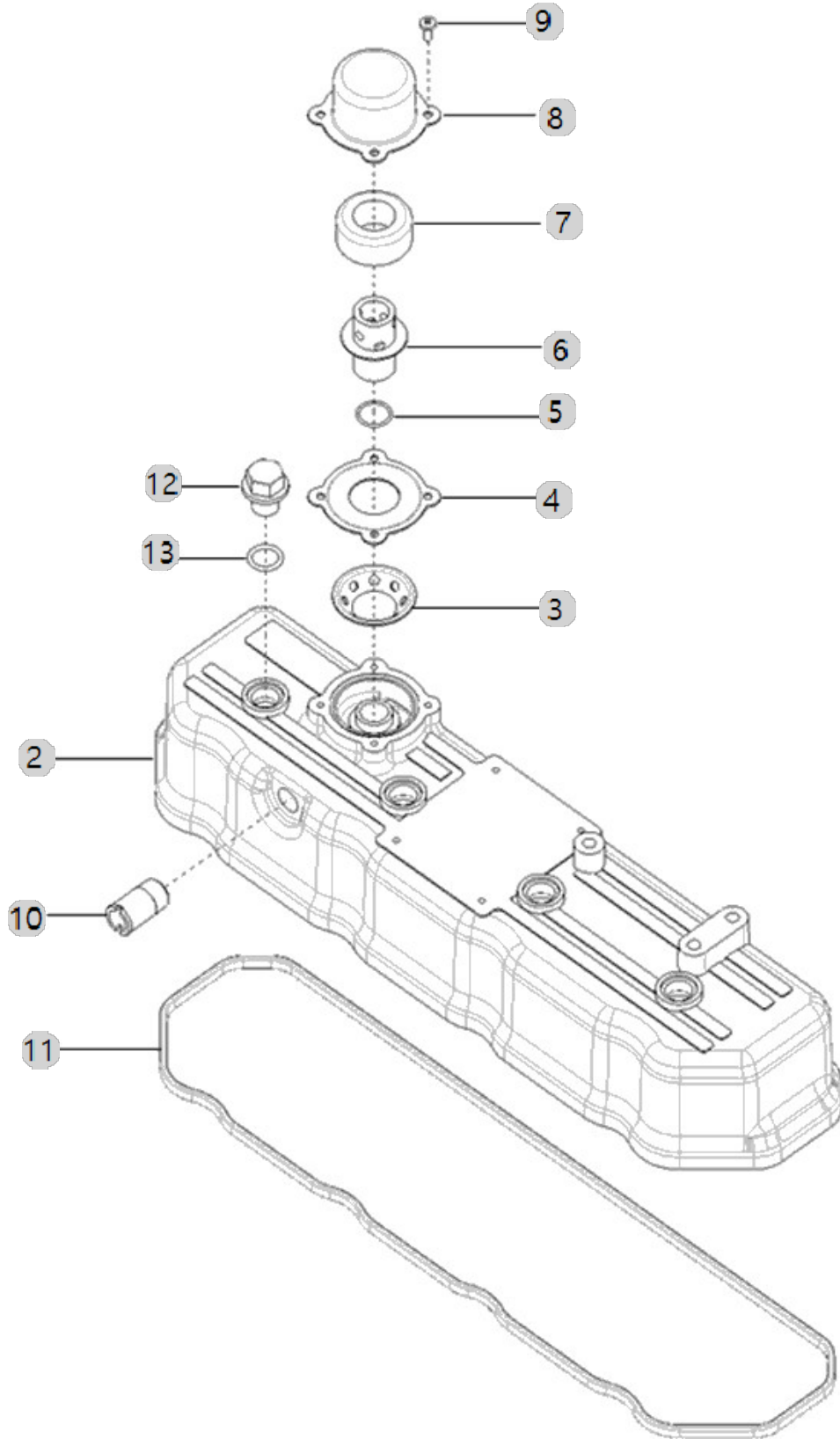
A21_004

A2000N4-UTR_4
(AB00340)

HEAD COVER

Year/Month

2022-12-15



A21_004 A2000N4-UTR_4 (AB00340)	HEAD COVER	Year/Month
		2022-12-15

순번 (NO)	부품번호 (PART NO)	품명 (PART NAME)	품명 (PART NAME)	수량 (QTY)	규격 (SPEC)	비고 (REMARK)
1	EA00004727A	헤드커버조합부	HEAD COVER ASS'Y OPTION	1		
2	HRA0402300F0	헤드커버	COVER, VALVE	1	-	
2	HRA0402300E0	헤드커버	COVER, VALVE	1	-	
3	HRA0403900A4	592,ALL,브리더조절판	PLATE,BREATHERADJUSTING	1	T1.2	
3	HRA0403900B4	브리더조절판	PLATE,BREATHER ADJUSTING	1	T1.2	
4	HRA0403800A4	브리더 커버 가스켓	GASKET,BREATHER	1	T0.5	
5	24341-000160	O-링(S형)	O-RING, FIX (Φ16)	1	S10	
6	HRA0403700A4	590,ALL,가이드조합	Valve, Pressure Relief	1		
6	HRA0403700B4	가이드조합	VALVE,PRESSURE RELIEF	1		
7	HC03720000B4	배플	BAFFLE	1	17MMX155M	
8	HRA0403600A4	589,ALL,브리더커버	COVER,BREATHER	1	T1.2	
8	HRA0403600B4	브리더커버	COVER,BREATHER	1	T1.2	
9	26587-040102	245,ALL,스크로우(3X54X10)	SCREW,FILLISTERHEADCAP	4	M4X10	
10	HRA0404000A4	597,A14172023,연결관	TUBE,BREATHER	1	D17.3XT2.3	
11	HRA0402400B3	헤드커버패킹-A2300	GASKET,HEAD COVER	1		
12	HA03520000B4	440,ALL,상부커버캡	NUT,HEXAGONCAP	4		
13	24311-000140	441,ALL,O-RINGP-14	O-RING, DYNAMIC (Φ14)	4	P14	

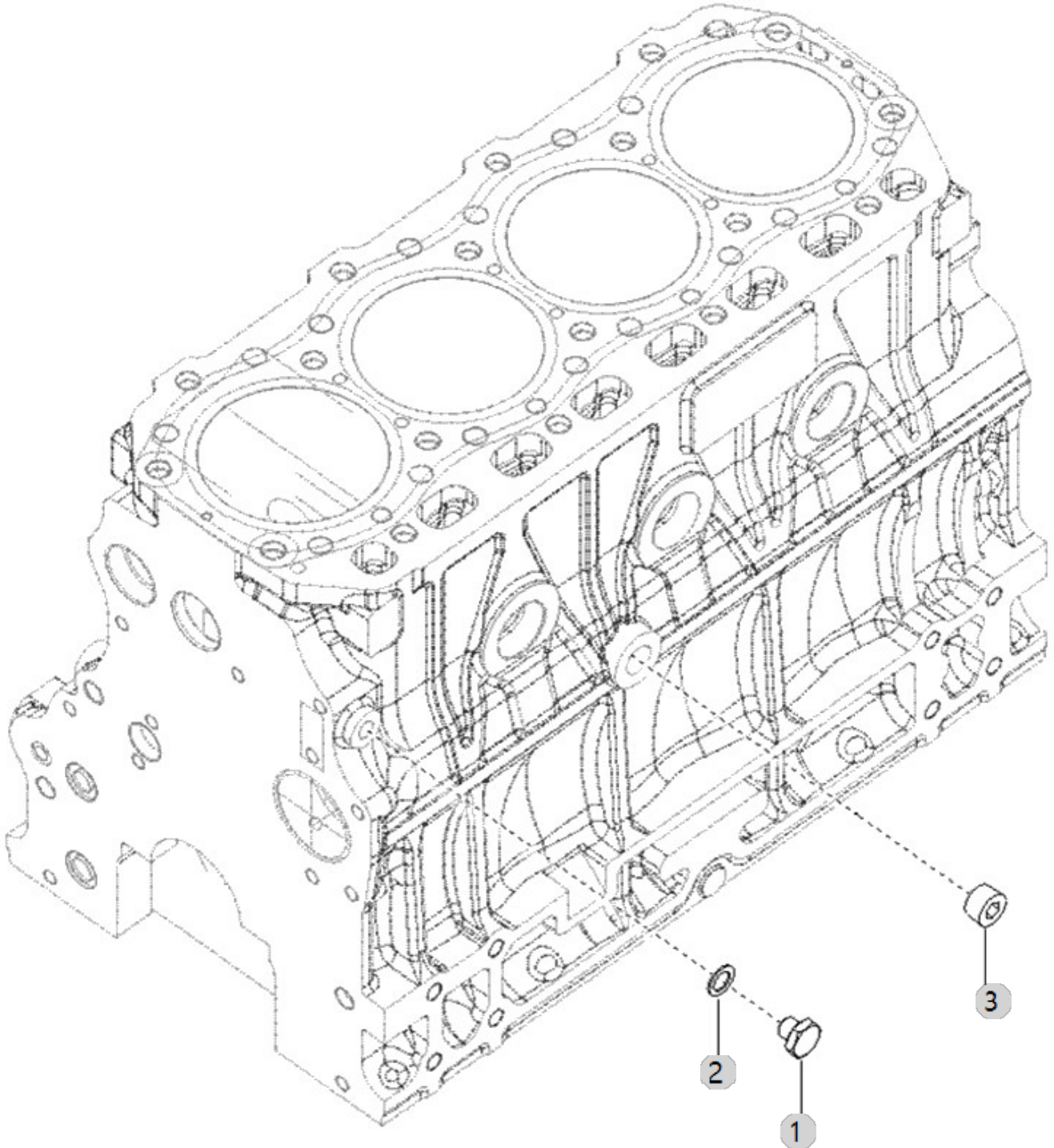
A23_009

A2000N4-UTR_4
(AB00340)

TURBOCHARGER SUPPORT ASS'Y OPTION

Year/Month

2022-12-15



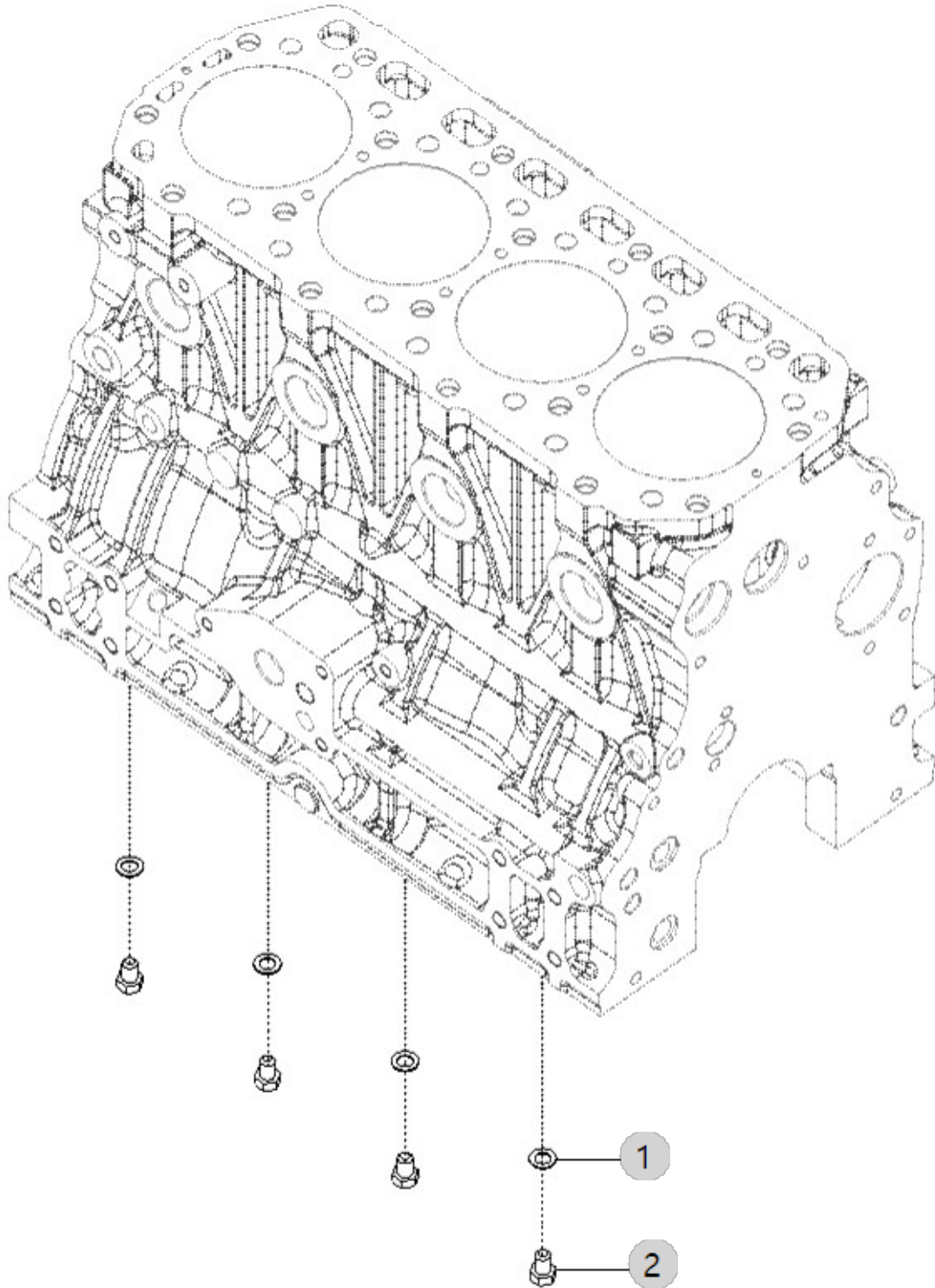
A25_002

A2000N4-UTR_4
(AB00340)

OIL JET ASS'Y OPTION

Year/Month

2022-12-15



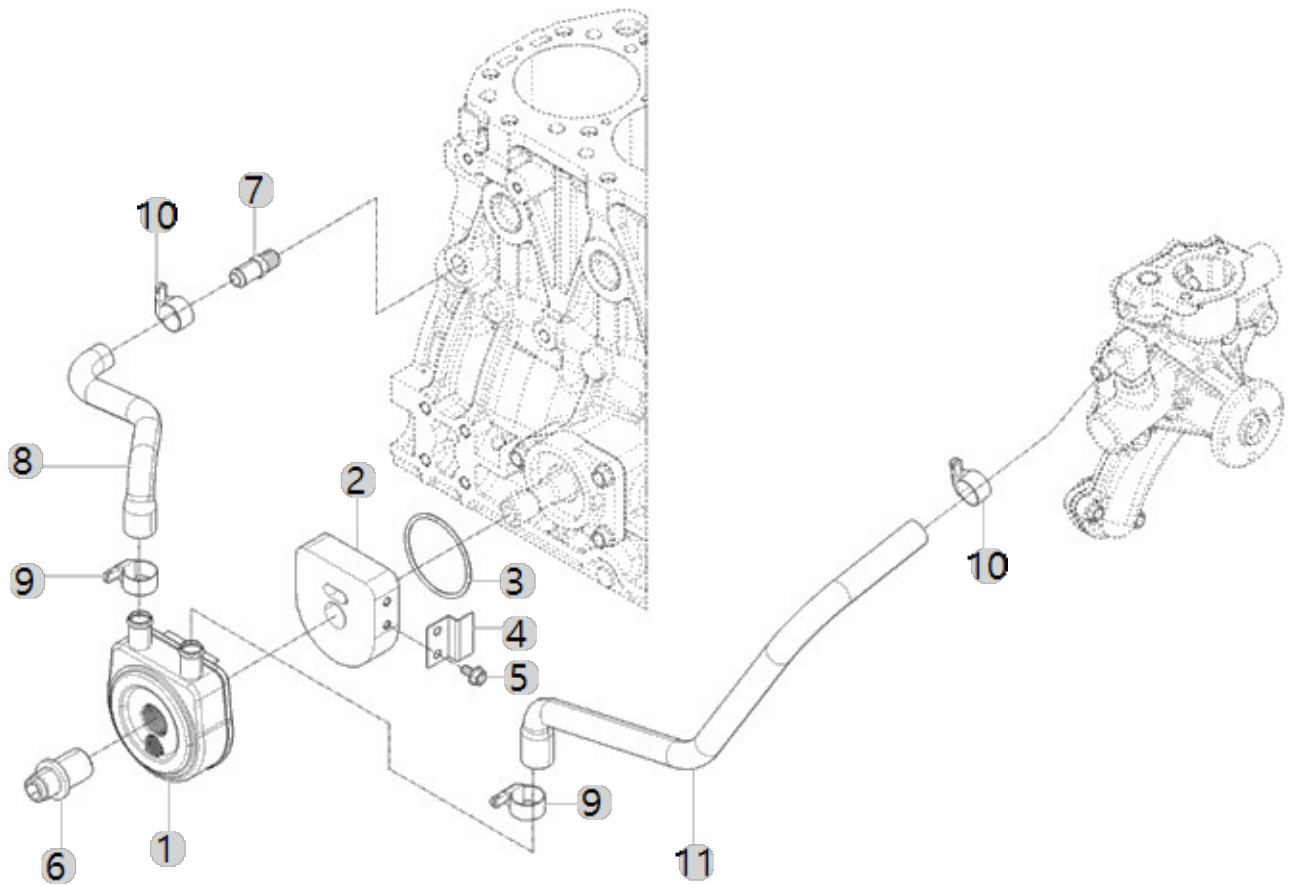
A26_005

A2000N4-UTR_4
(AB00340)

COOLER, ENGINE OIL

Year/Month

2022-12-15



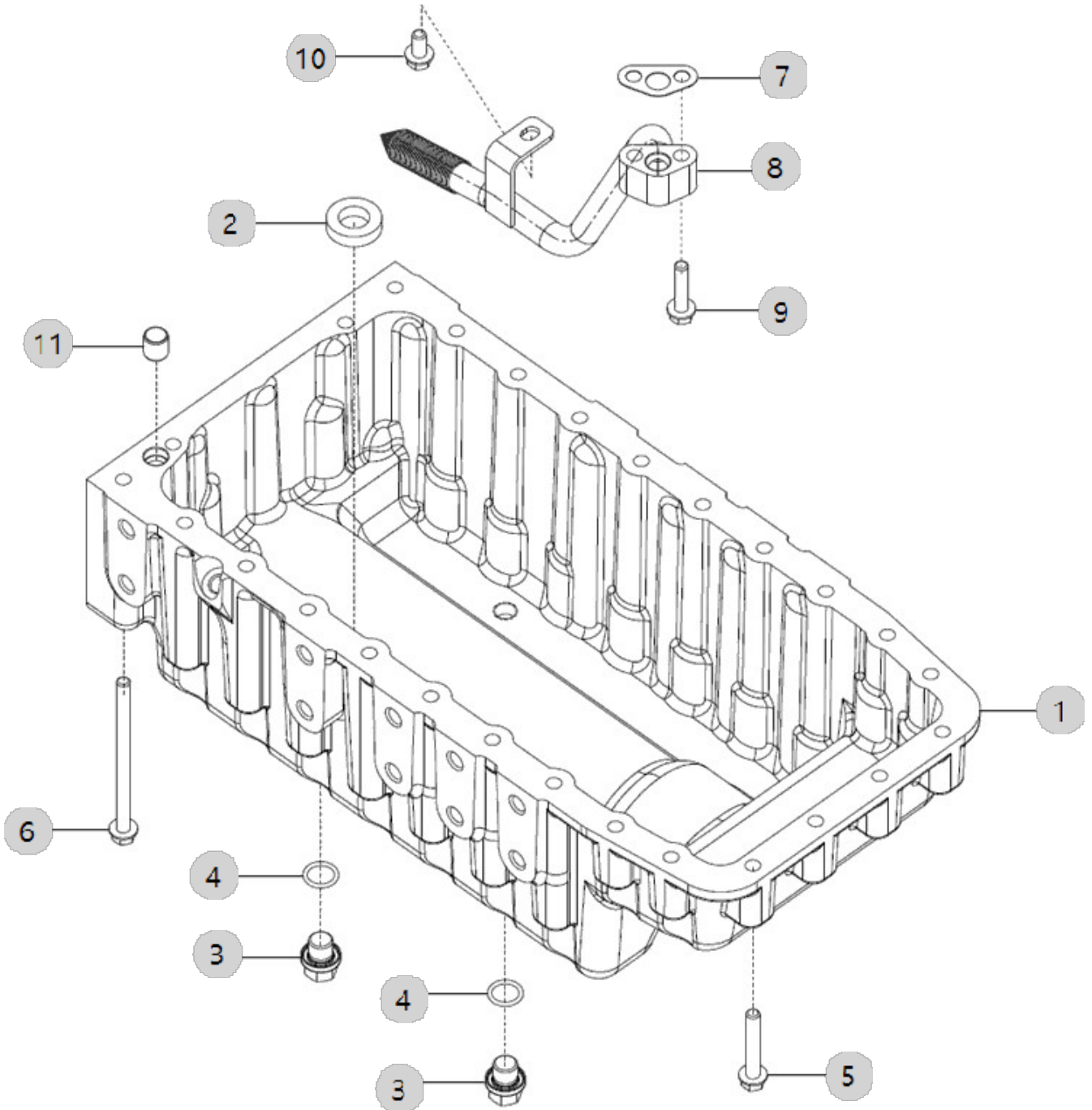
A27_005

A2000N4-UTR_4
(AB00340)

OIL PAN ASS'Y OPTION

Year/Month

2022-12-15



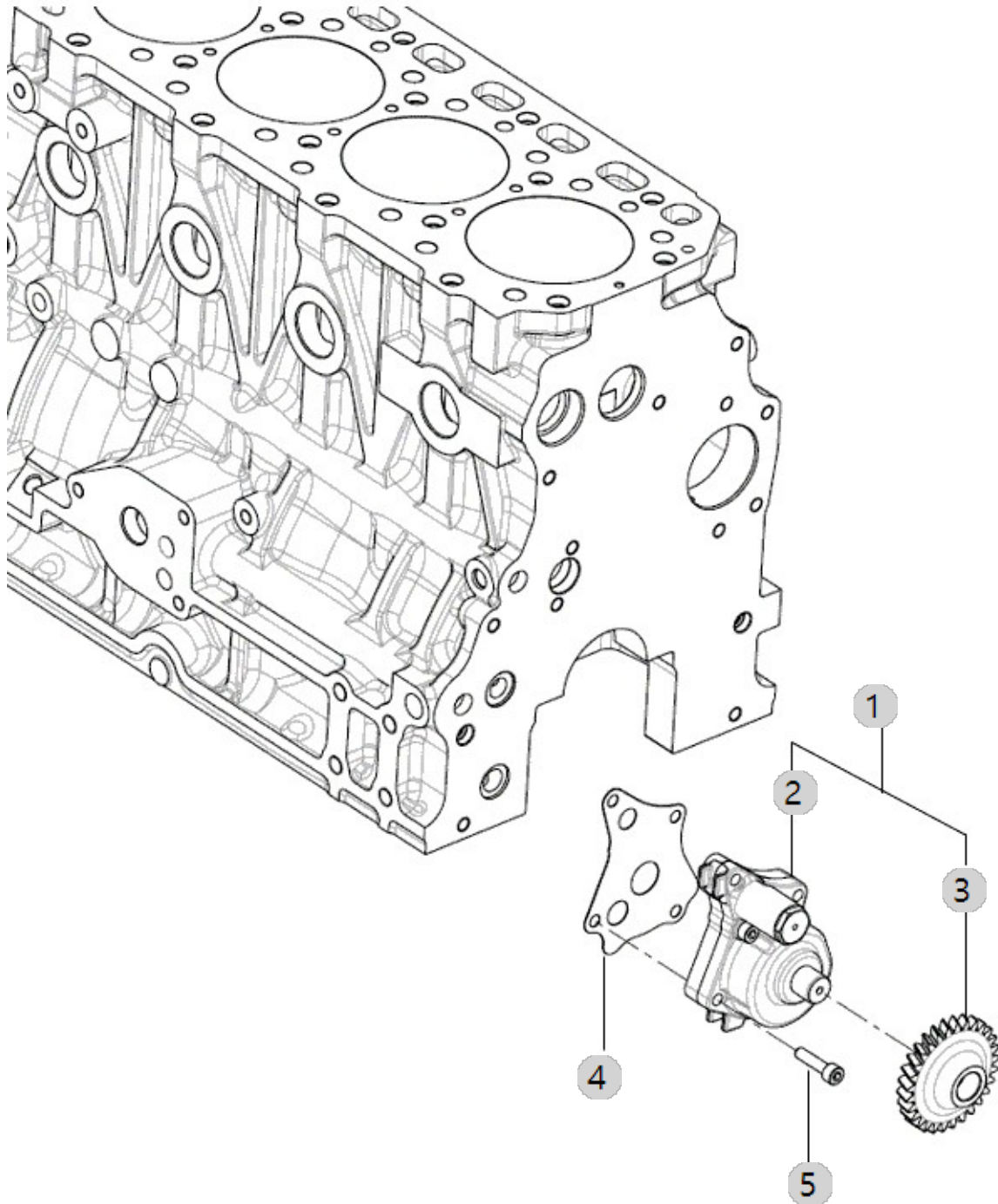
A28_001

A2000N4-UTR_4
(AB00340)

PUMP, LUBRICATING OIL

Year/Month

2022-12-15



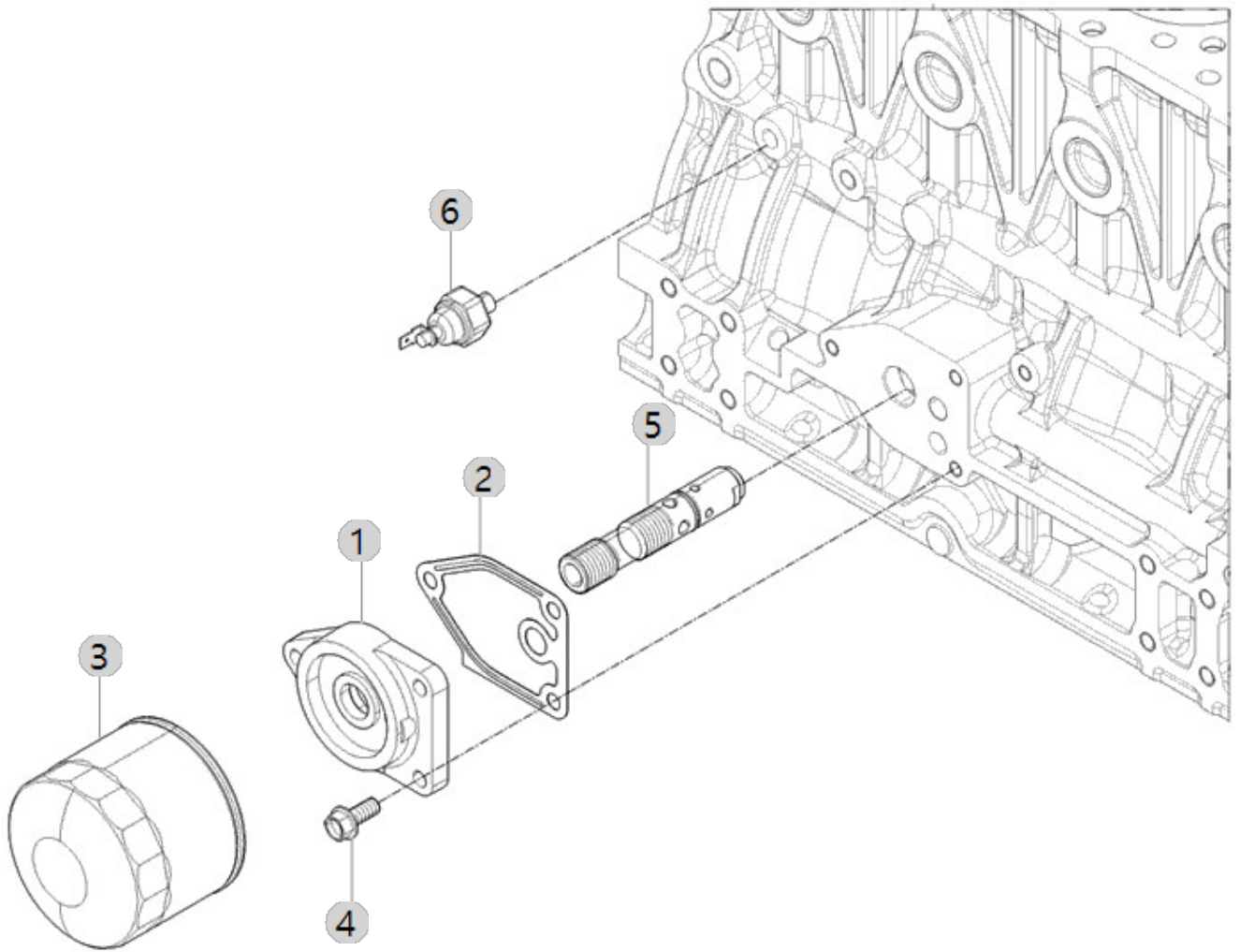
A29_005

A2000N4-UTR_4
(AB00340)

FILTER, LUBRICATING OIL

Year/Month

2022-12-15



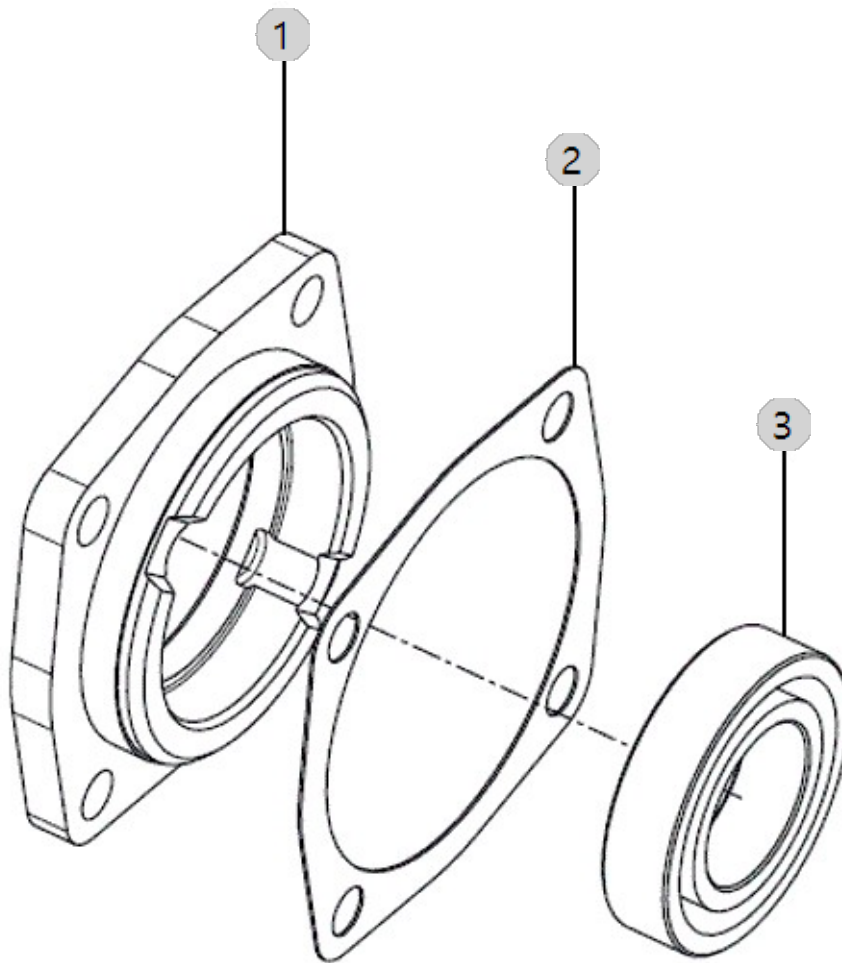
A30_003

A2000N4-UTR_4
(AB00340)

FRONT GEAR ACCESSORY DRIVE

Year/Month

2022-12-15



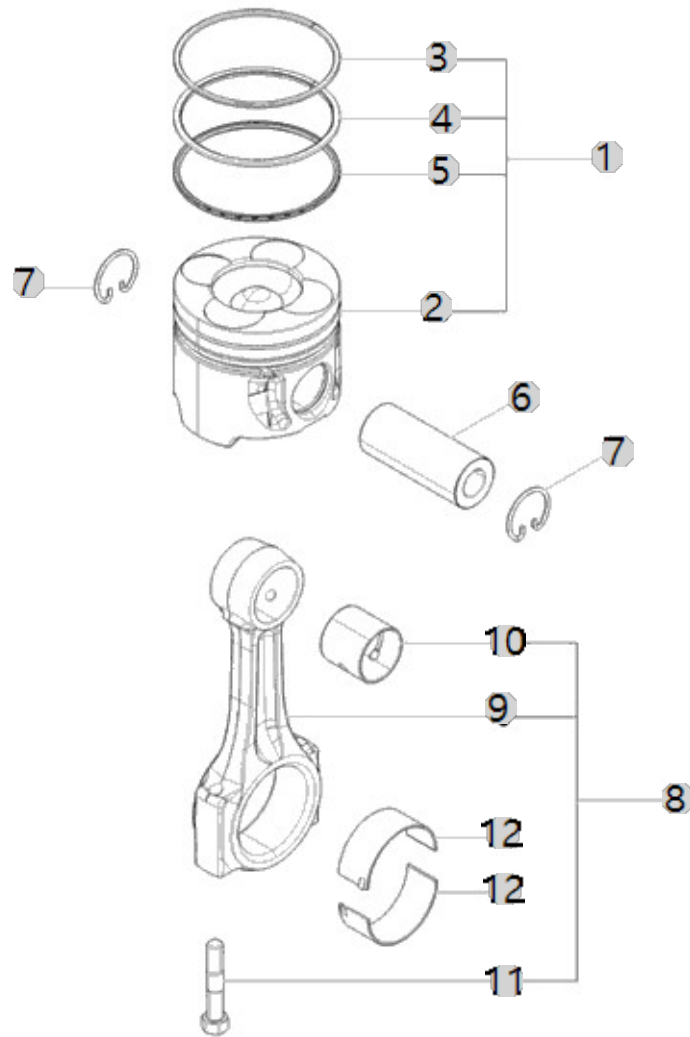
A31_005

A2000N4-UTR_4
(AB00340)

PISTON

Year/Month

2022-12-15



A31_005 A2000N4-UTR_4 (AB00340)		PISTON				Year/Month 2022-12-15
순번 (NO)	부품번호 (PART NO)	품 명 (PART NAME)	품 명 (PART NAME)	수량 (QTY)	규격 (SPEC)	비고 (REMARK)
1	HRG0801400B9	피스톤조합	PISTON, ENGINE	4		
2	HRG0801401C1	피스톤	PISTON, ENGINE	4		
2	HRG0801401B1	피스톤 : A2000, A1400	PISTON, ENGINE	4		
3	HM24220000A3	피스톤링(1ST) - A1400, A2000	RING,COMPRESSIONPISTON	4		
4	HM24230000A3	피스톤링(2ND) - A1400, A2000	RING,COMPRESSIONPISTON	4		
5	HM24250000A2	피스톤링(3RD) - A1400, A2000	RING,OILPISTON	4		
6	HM24260000B4	피스톤핀	PIN, PISTON	4		
7	HA08070000A4	468,ALL,멈춤링	RING,RETAINING	8		
8	HRA0801600B9	커넥팅로드조합	ROD,ENGINE CONNECTING	4		
8	HRA0801600C9	커넥팅로드조합	ROD,ENGINE CONNECTING	4		
9	HRA0801601B2	커넥팅로드	ROD,ENGINE CONNECTING	4		
9	HRA0801601C2	커넥팅로드	ROD,ENGINE CONNECTING	4		
10	HRA0801603A4	409,ALL,부시(피스톤핀)	BUSHING	4		
10	HRA0801603B4	부시(피스톤핀)	BUSHING	4		
11	HRA0801602A4	408,ALL,볼트(커넥팅로드)	SCREW,HEXAGONHEADCAP	8		
12	HRA0801700A3	커넥팅로드 베어링	CONNECTING ROD BEARING	8		

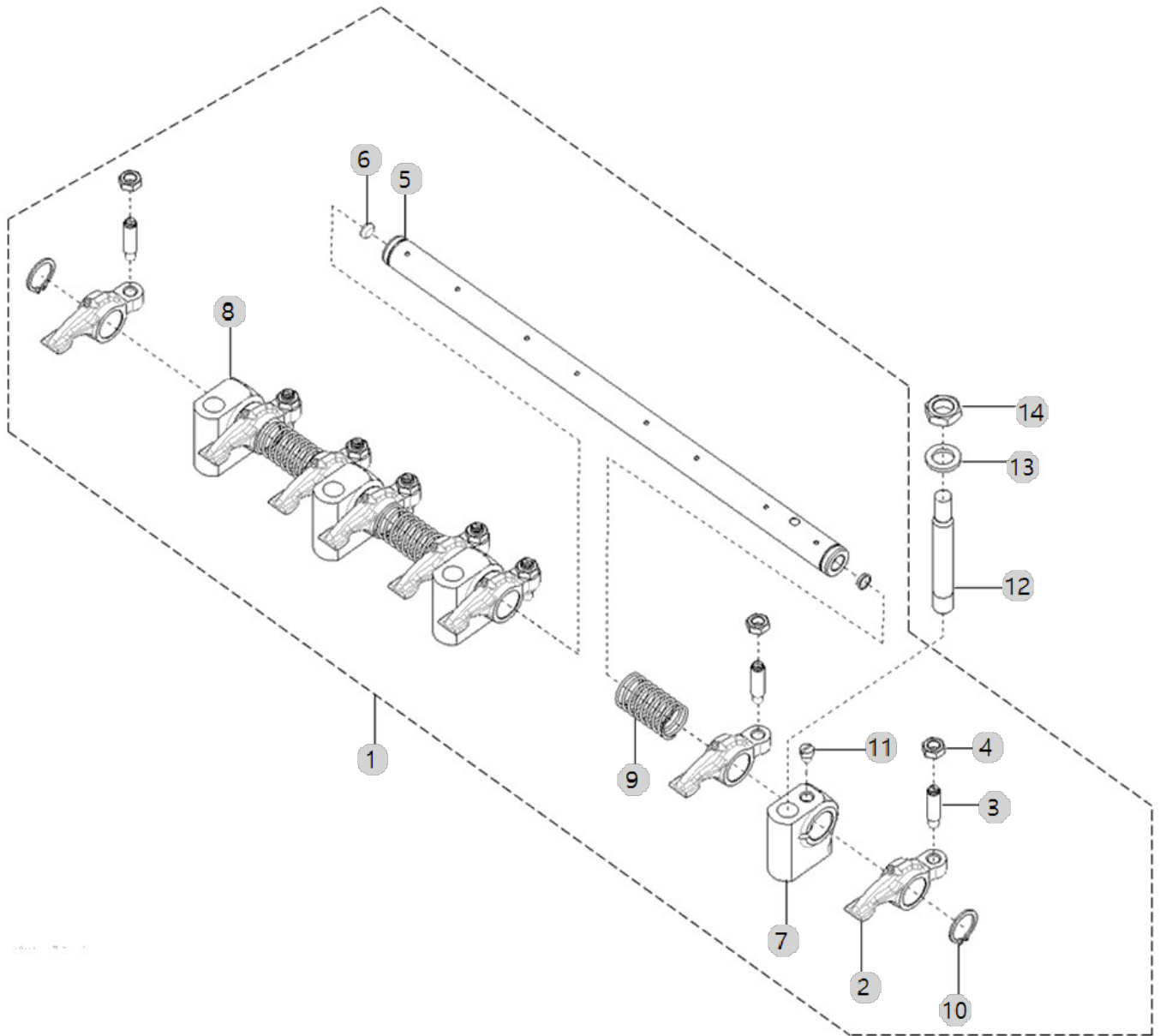
A32_003

A2000N4-UTR_4
(AB00340)

LEVER, LOCKER

Year/Month

2022-12-15



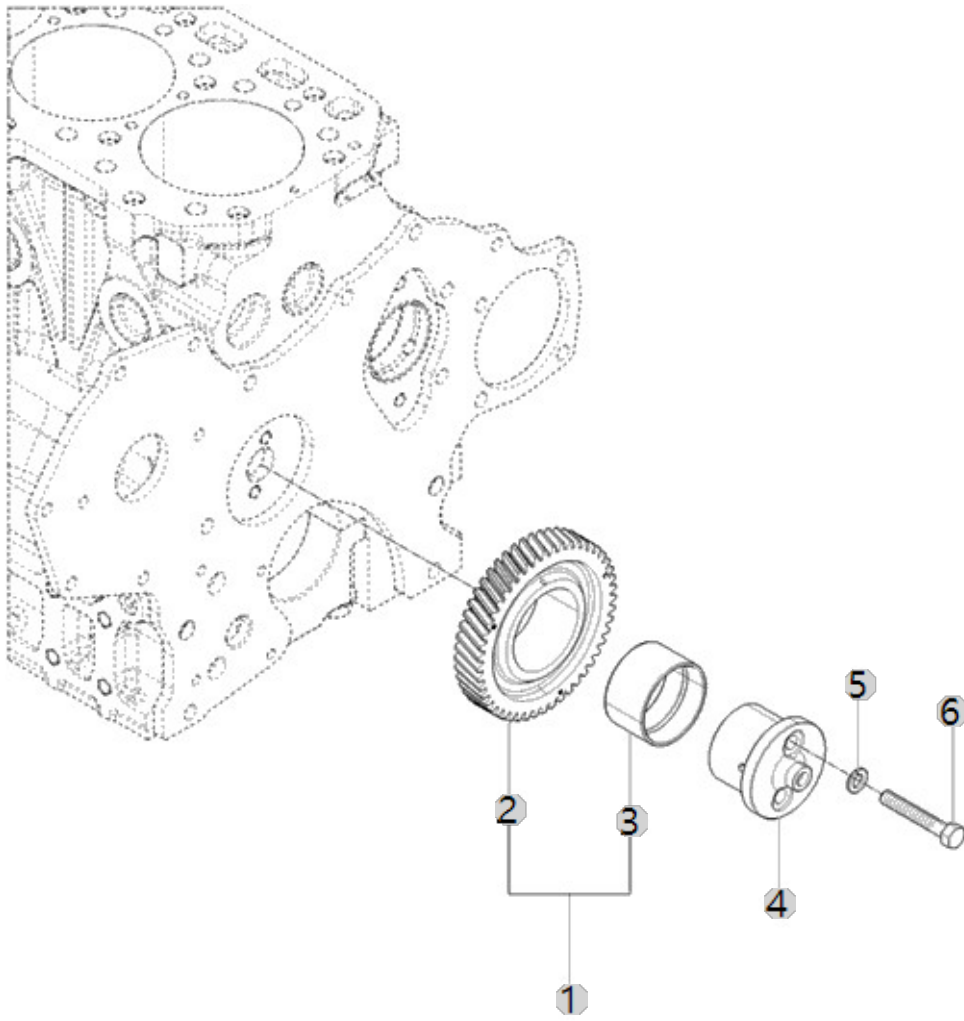
A35_002

A2000N4-UTR_4
(AB00340)

IDLE GEAR

Year/Month

2022-12-15



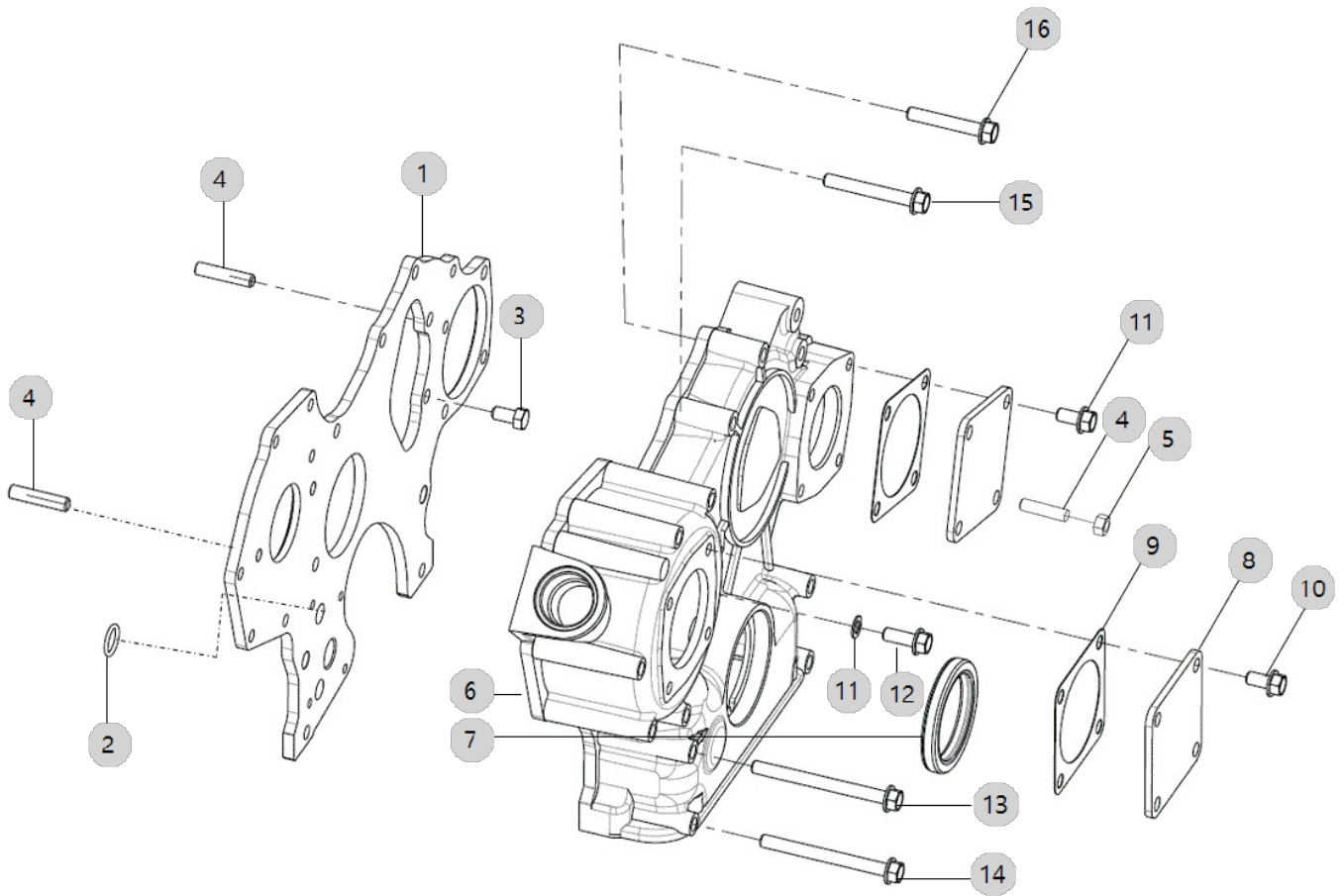
A36_004

A2000N4-UTR_4
(AB00340)

COVER, FRONT GEAR

Year/Month

2022-12-15



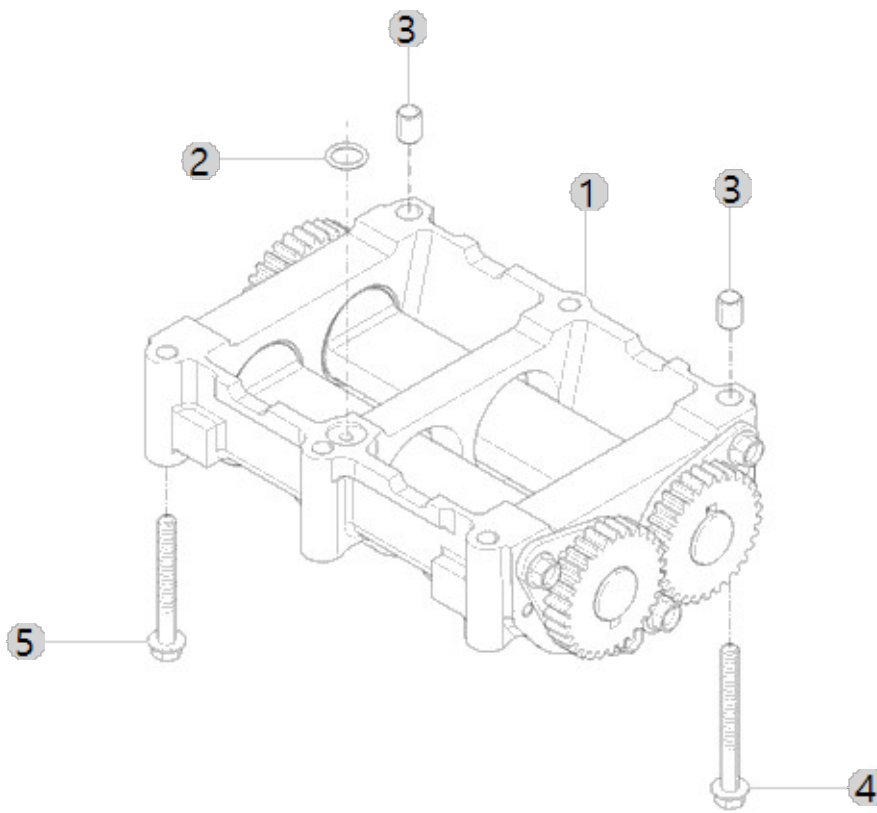
A37_001

A2000N4-UTR_4
(AB00340)

BALANCE ASS'Y

Year/Month

2022-12-15



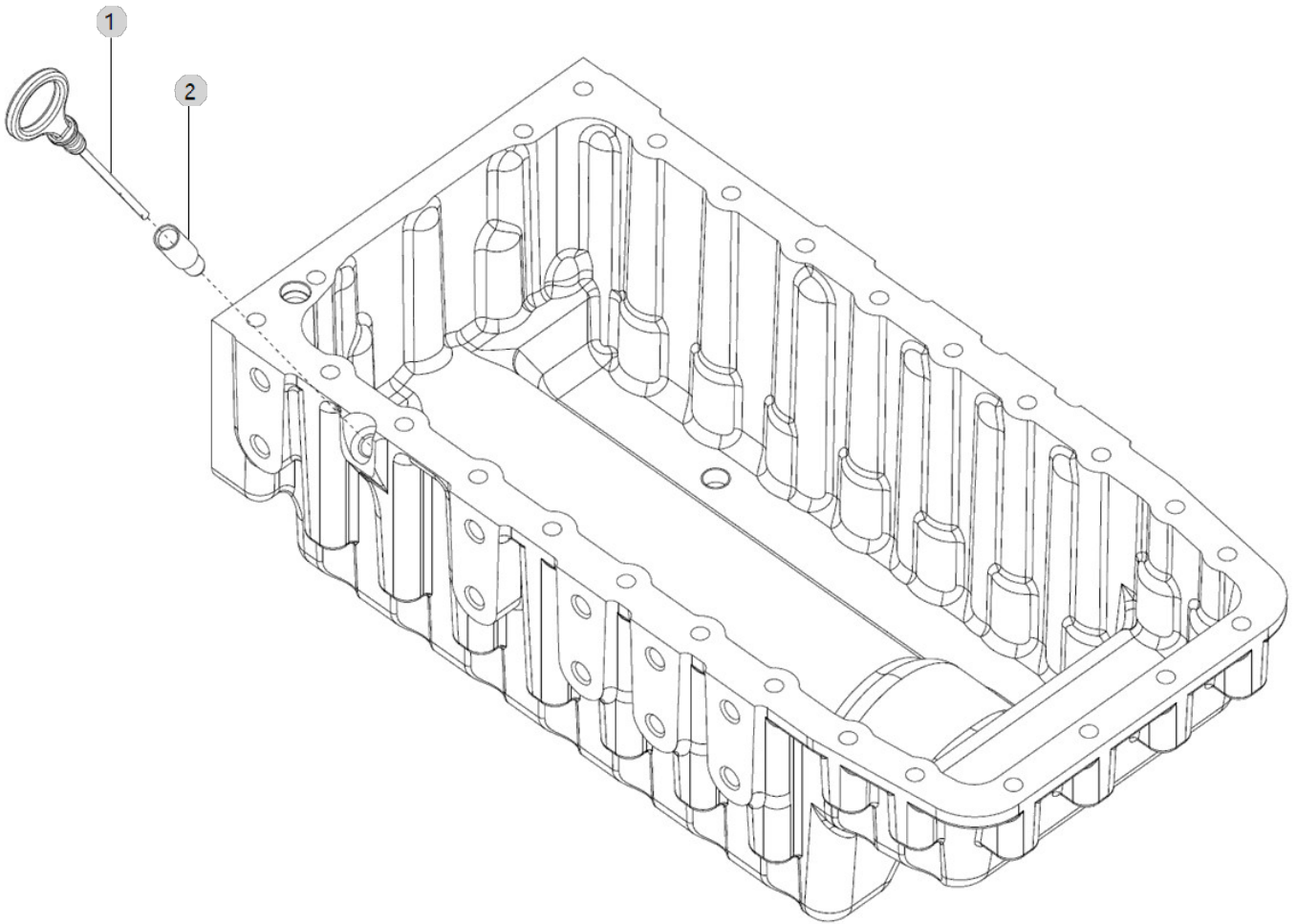
A38_009

A2000N4-UTR_4
(AB00340)

GAUGE, OIL LEVEL

Year/Month

2022-12-15



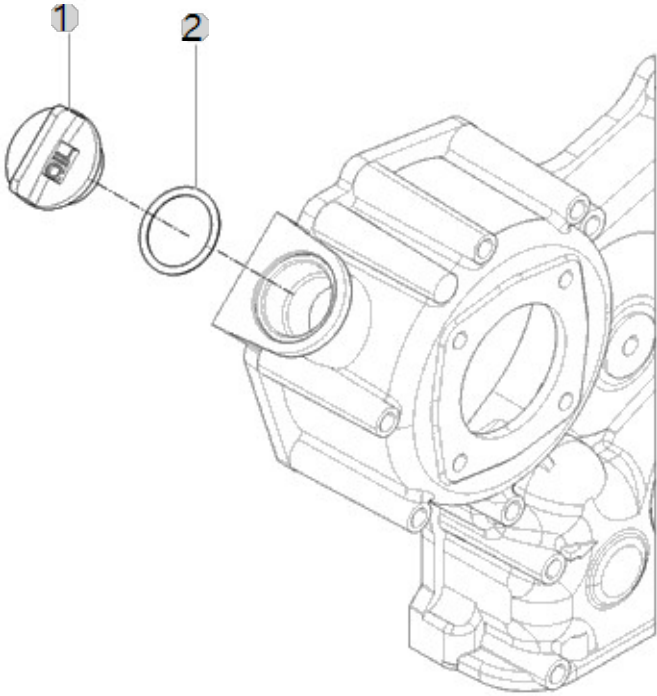
A39_001

A2000N4-UTR_4
(AB00340)

OIL FILLER CAP

Year/Month

2022-12-15



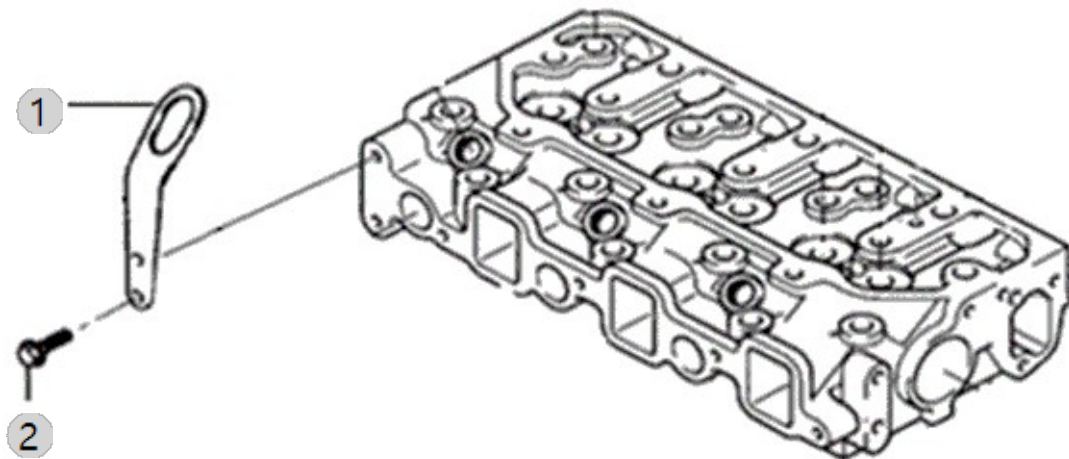
A40_003

A2000N4-UTR_4
(AB00340)

LIFT ASS'Y OPTION

Year/Month

2022-12-15



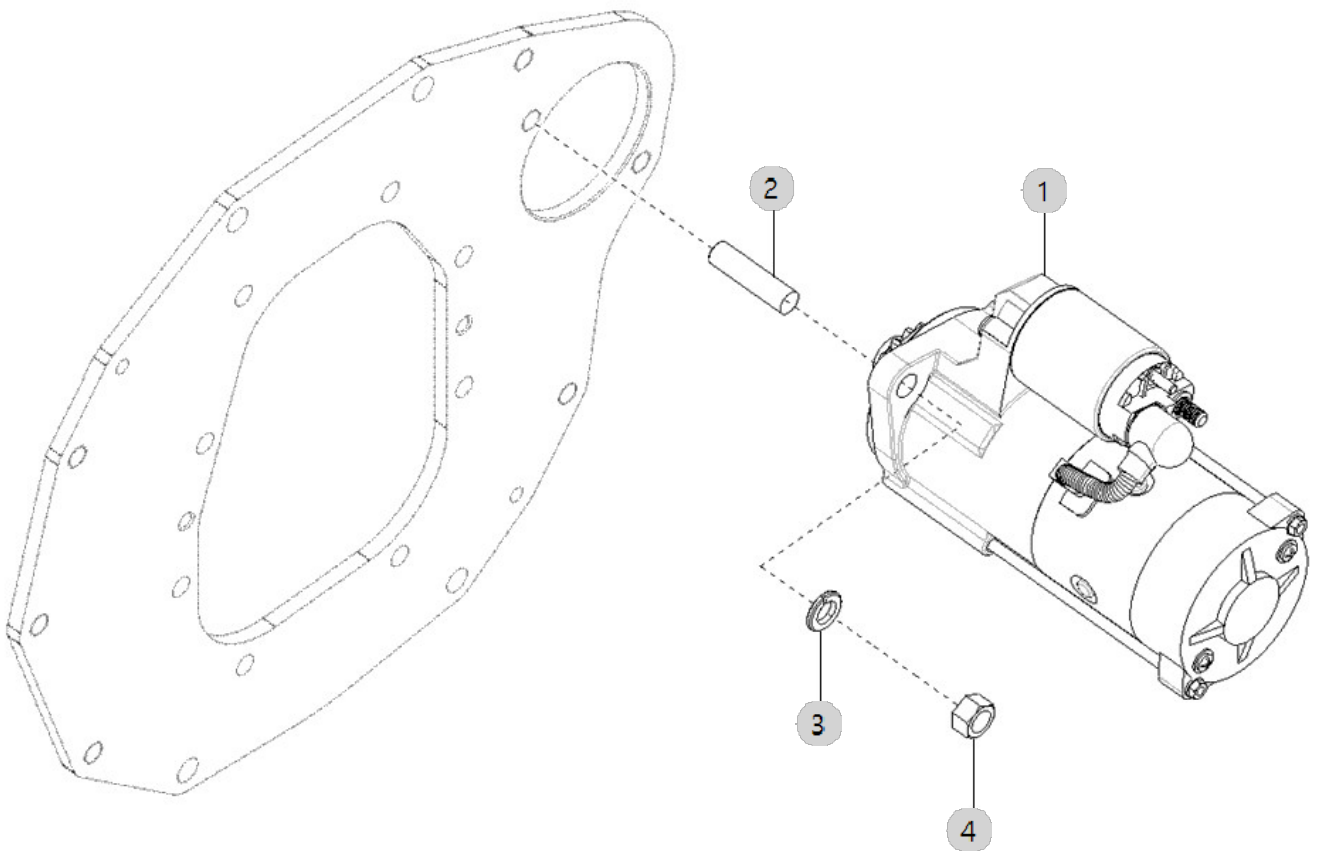
A42_003

A2000N4-UTR_4
(AB00340)

MOTER, STARTIONS

Year/Month

2022-12-15



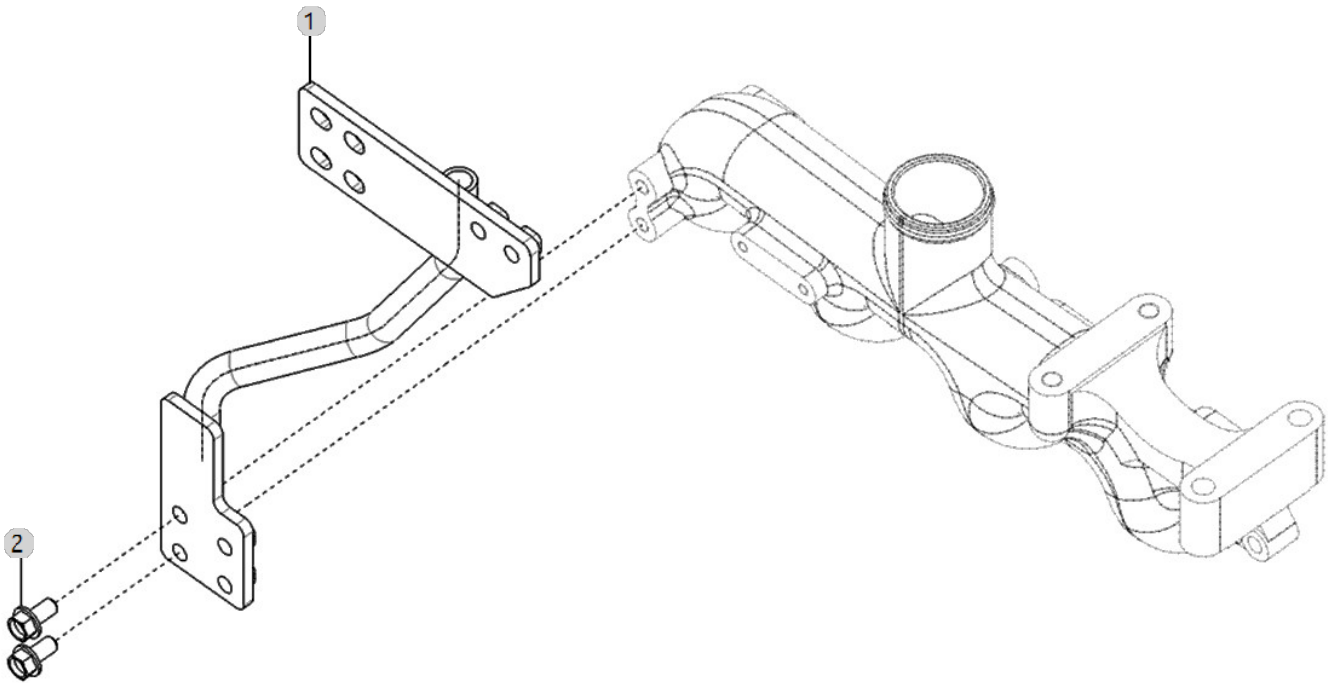
A43_001

A2000N4-UTR_4
(AB00340)

DPF SUPPORT OPTION

Year/Month

2022-12-15



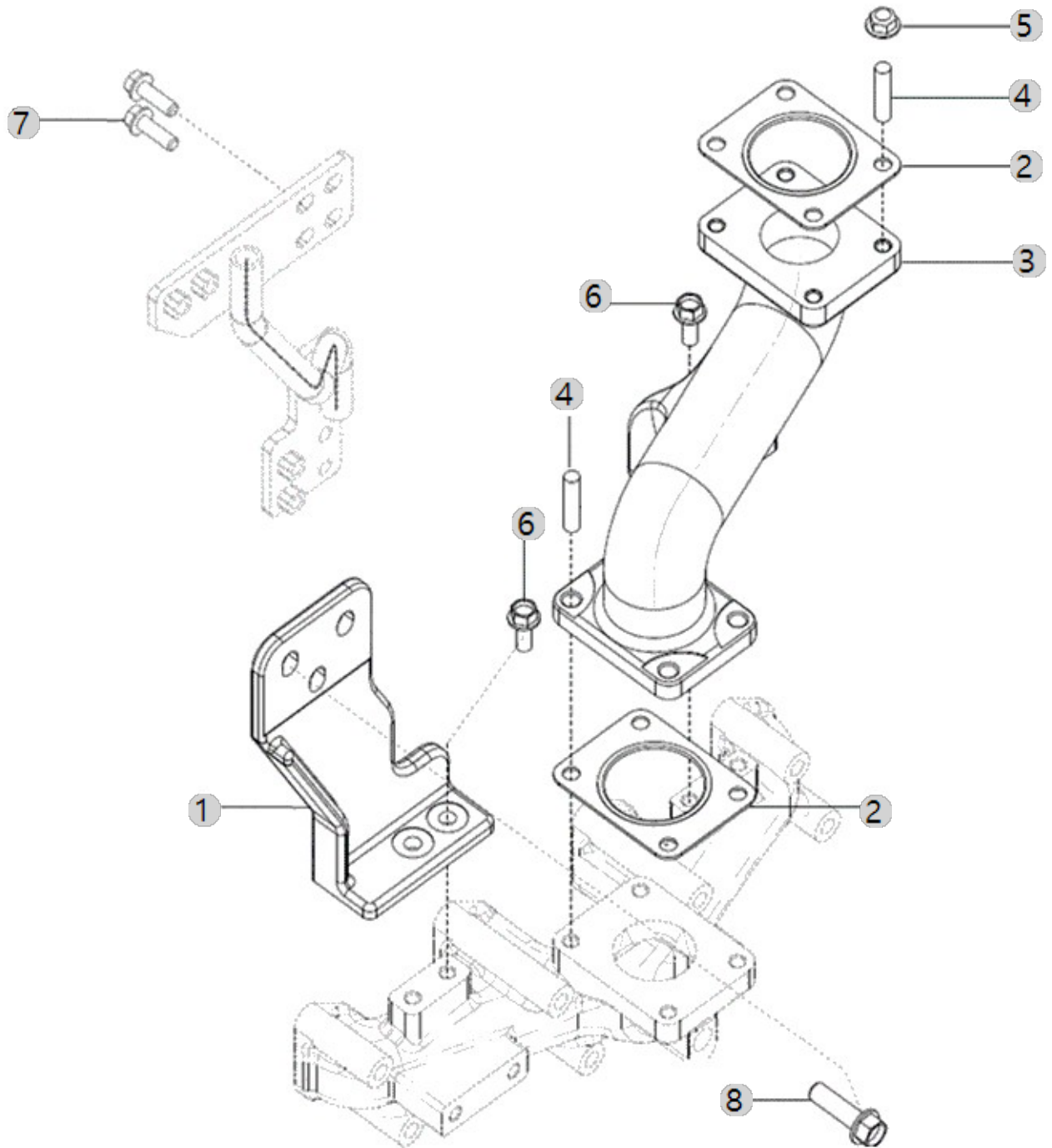
A44_006

A2000N4-UTR_4
(AB00340)

DPF MOUNTING OPTION

Year/Month

2022-12-15



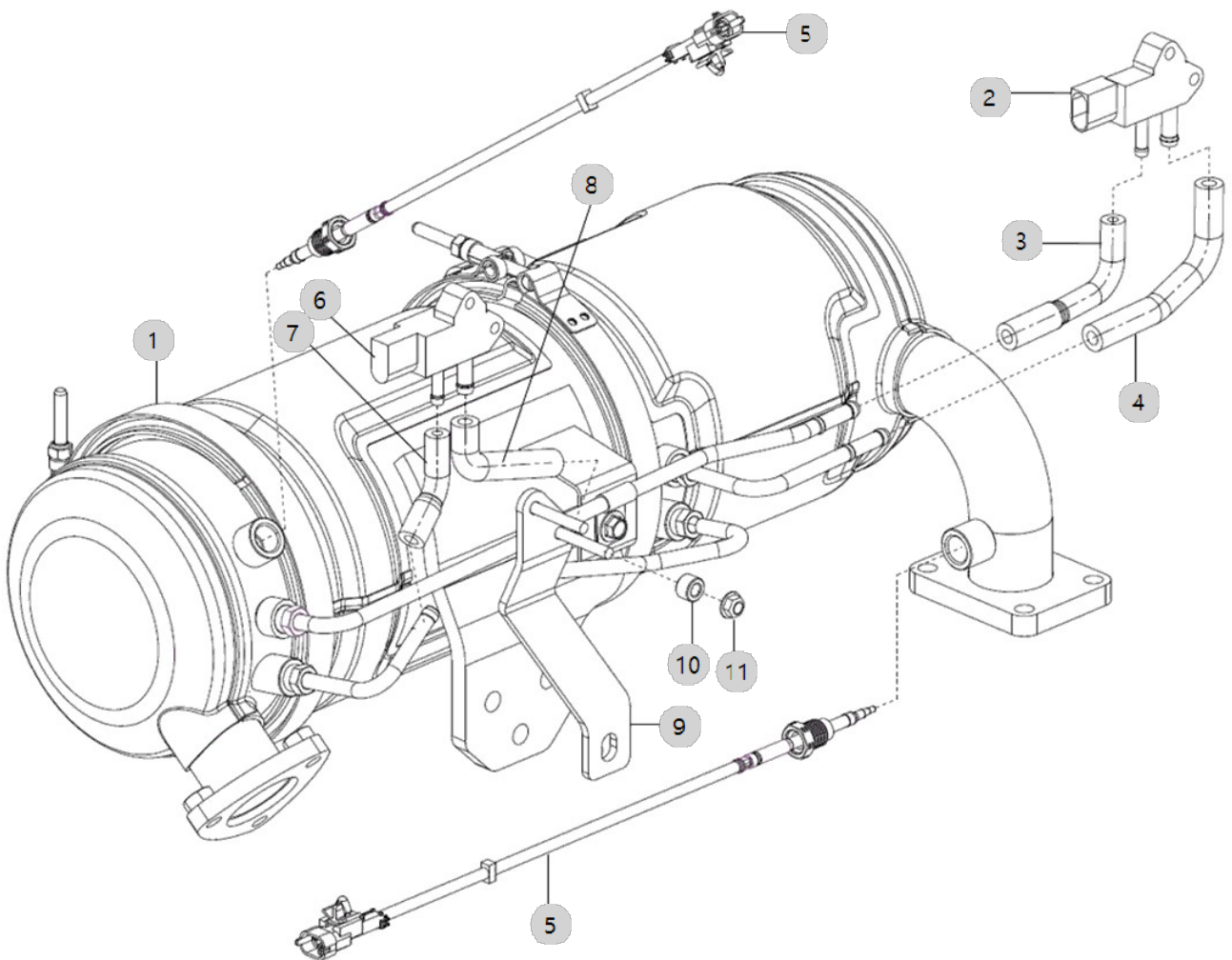
A45_011

A2000N4-UTR_4
(AB00340)

DPF

Year/Month

2022-12-15



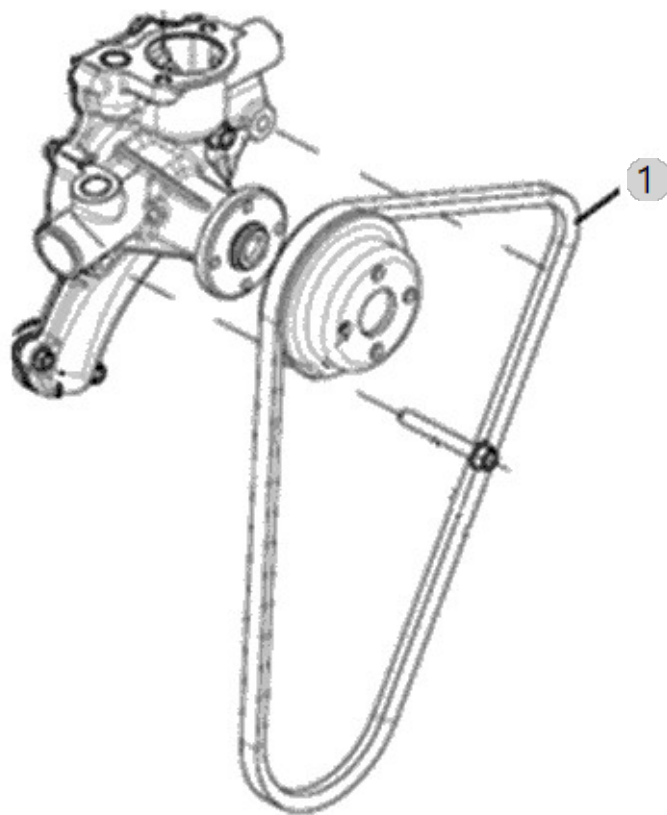
A48_006

A2000N4-UTR_4
(AB00340)

V-BELT

Year/Month

2022-12-15



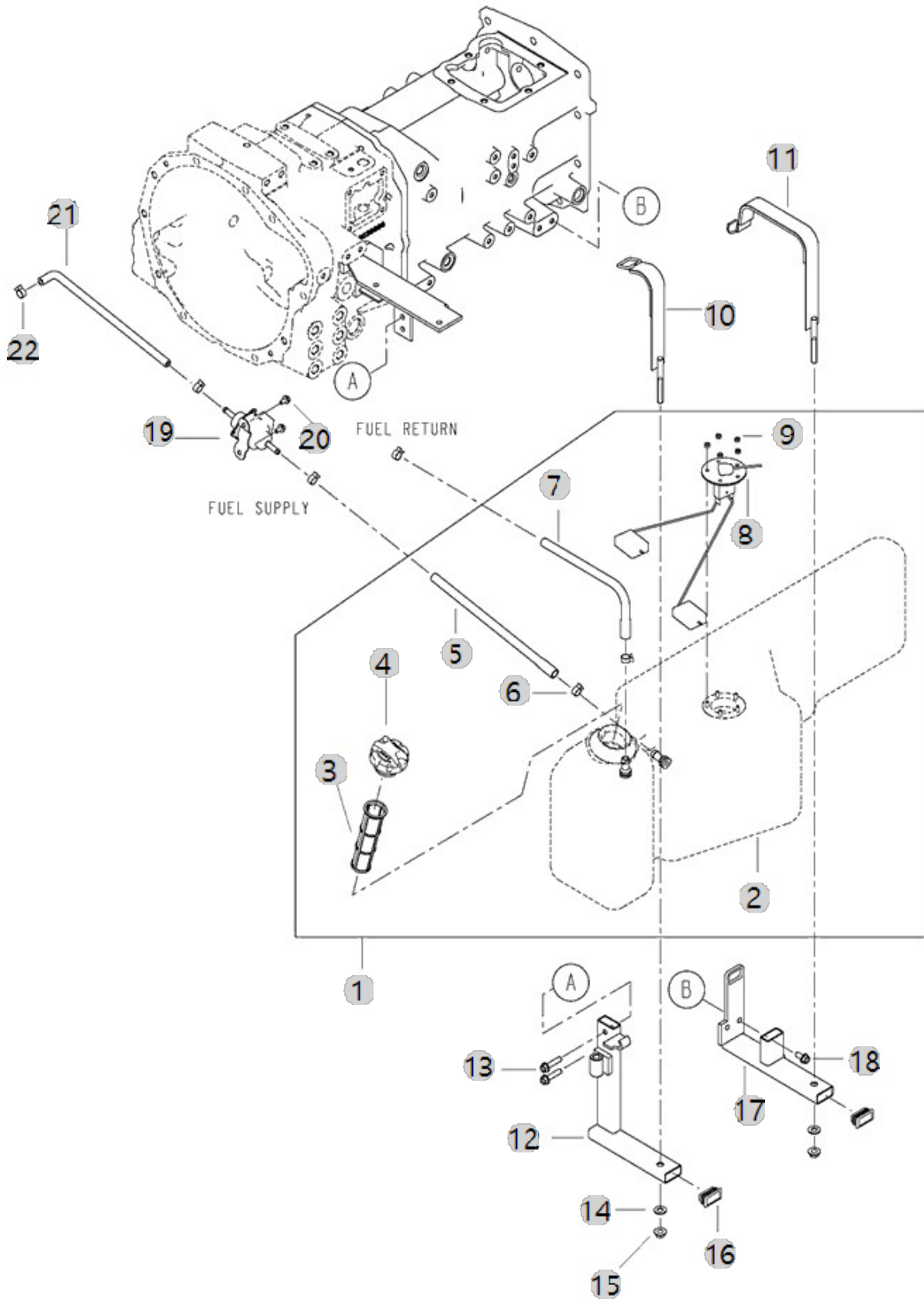
B01010

4215R_US_FL
(AC02161)

(FUEL TANK)

Year/Month

2022-12-15



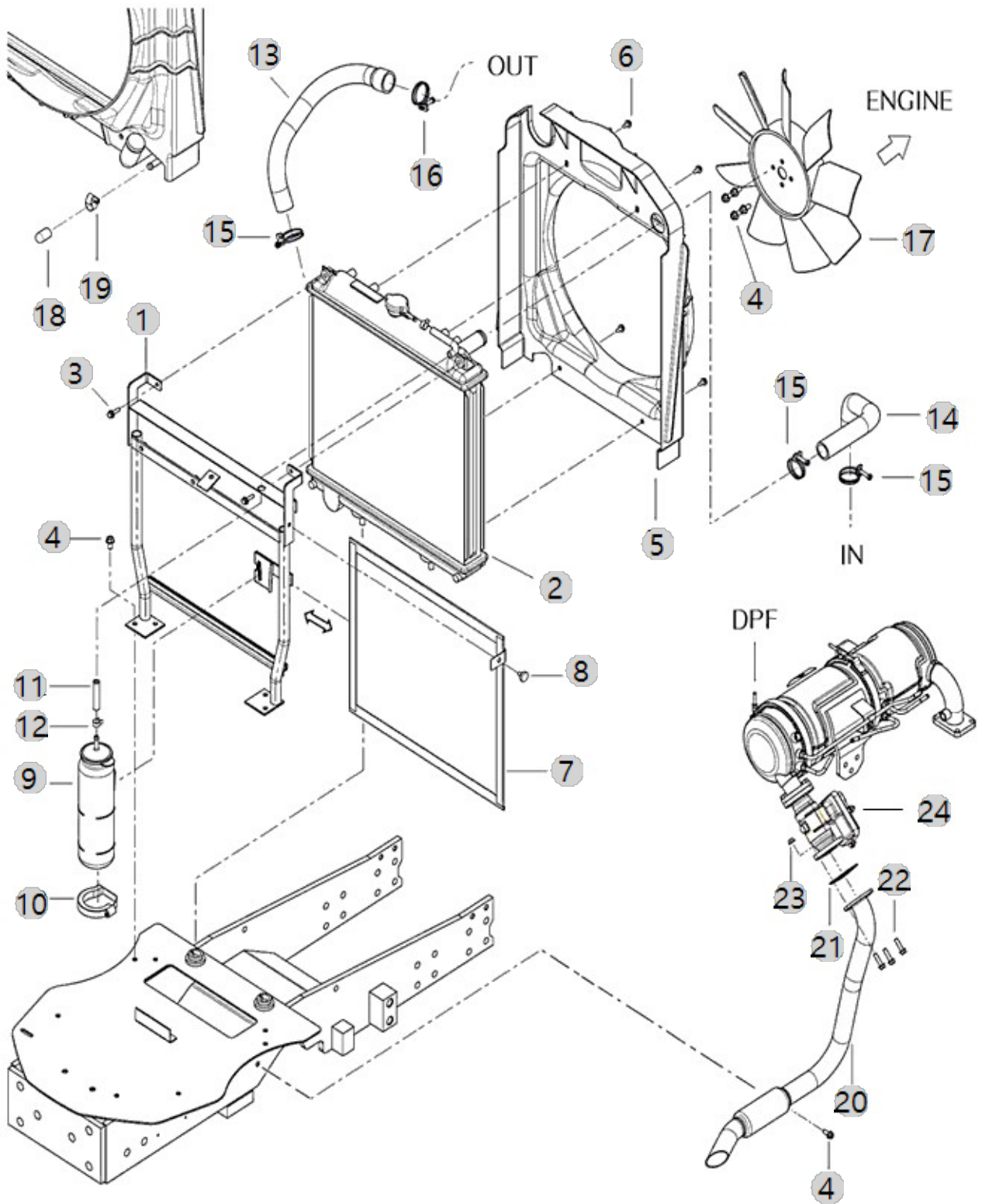
B02020

4215R_US_FL
(AC02161)

(RADIATOR)

Year/Month

2022-12-15



B02020 4215R_US_FL (AC02161)		(RADIATOR)				Year/Month 2022-12-15
순번 (NO)	부품번호 (PART NO)	품명 (PART NAME)	품명 (PART NAME)	수량 (QTY)	규격 (SPEC)	비고 (REMARK)
1	TA00050002C	라디에이터브래킷조합	RADIATOR BRACKET ASS'Y	1		
1	TA00050002D	라디에이터브래킷조합	RADIATOR BRACKET ASS'Y	1		
2	HRE1203000B1	라디에이터조합	RADIATOR ASSY	1		
3	26014-060252	와셔조립육각볼트(+SW,PW)	Bolt, Hexa (6-25)	2	M06X1.00X02	
4	26106-080162	플랜지볼트8X16	SCREW,HEXFLANGEHEADCAP	9	M8XP1.25X16	
5	TA00040421C	슈라우드	SHROUD	1		
6	HRA1203200A4	태핑나사	TAPPINGSCREW	4		
7	TA00053642B	방진망조합	DUSTPROOF MESH ASS'Y	1		
8	CA00009493A	고정나사(검정)	FIX BOLT (BLACK)	1		
9	CA09270000C2	보조탱크조합	COOLANT RESERVOIR	1		
10	CA09310000A4	보조탱크부착밴드	STRAP,SUBTANKMTG	1		
11	23980-730330	플루우트호스	HOSE	1		
12	23080-013000	호스 클립	Clamp, Hose (Φ13)	1	D13	
13	TA00049957B	냉각수 호스B	COOLING WATER HOSE B	1		
14	TA00060726A	냉각수호스A	COOLING WATER HOSE A	1		
15	23010-038000	호스밴드	HOSEBAND	3	D38	
16	23010-040000	호스밴드40	HOSEBAND	1	D40	
17	TA00048457A	냉각팬(D385)	FAN, COOLING	1		
18	HRC1201200A4	오일쿨러캡	CAP,COOLER	1		
19	23000-016000	호스클립	Clip, Hose (Φ16)	1	D16	
20	TA00060420A	배기파이프 조합(RESONATOR)	EXHAUST PIPE ASSY(RESONATOR)	1		
21	EA00006088A	가스켓(배기밸브)	GASKET, ASSEMBLE TYPE ELECTRONIC EXHAUST VALVE	2	T2.0	
22	26106-080302	육각플랜지볼트	HEX BOLT, FLANGE	3	M8XP1.25X30	
23	26367-080002	259, 육각플랜지너트	HEX FLANGE NUT (Φ8)	3	M8XP1.25	
24	EA00005795C	전자식배기밸브ASS'Y(조립식)	ELECTRONIC EXHAUST VALVE ASS'Y (ASSEMBLE TYPE)	1		
24	EA00005795B	전자식배기밸브ASS'Y(조립식)	ELECTRONIC EXHAUST VALVE ASS'Y (ASSEMBLE TYPE)	1		

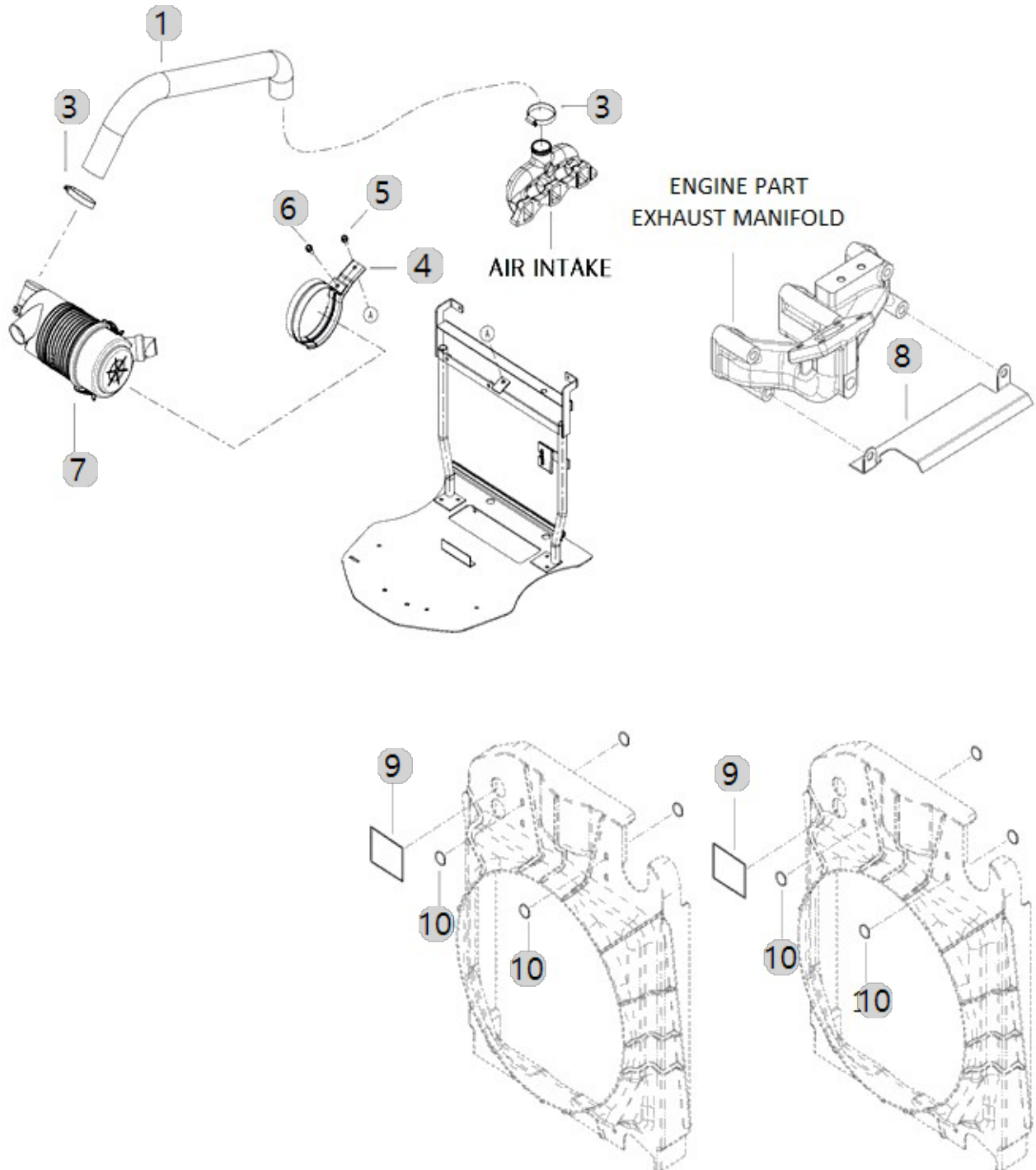
B03010

4215R_US_FL
(AC02161)

(AIR CLEANER)

Year/Month

2022-12-15



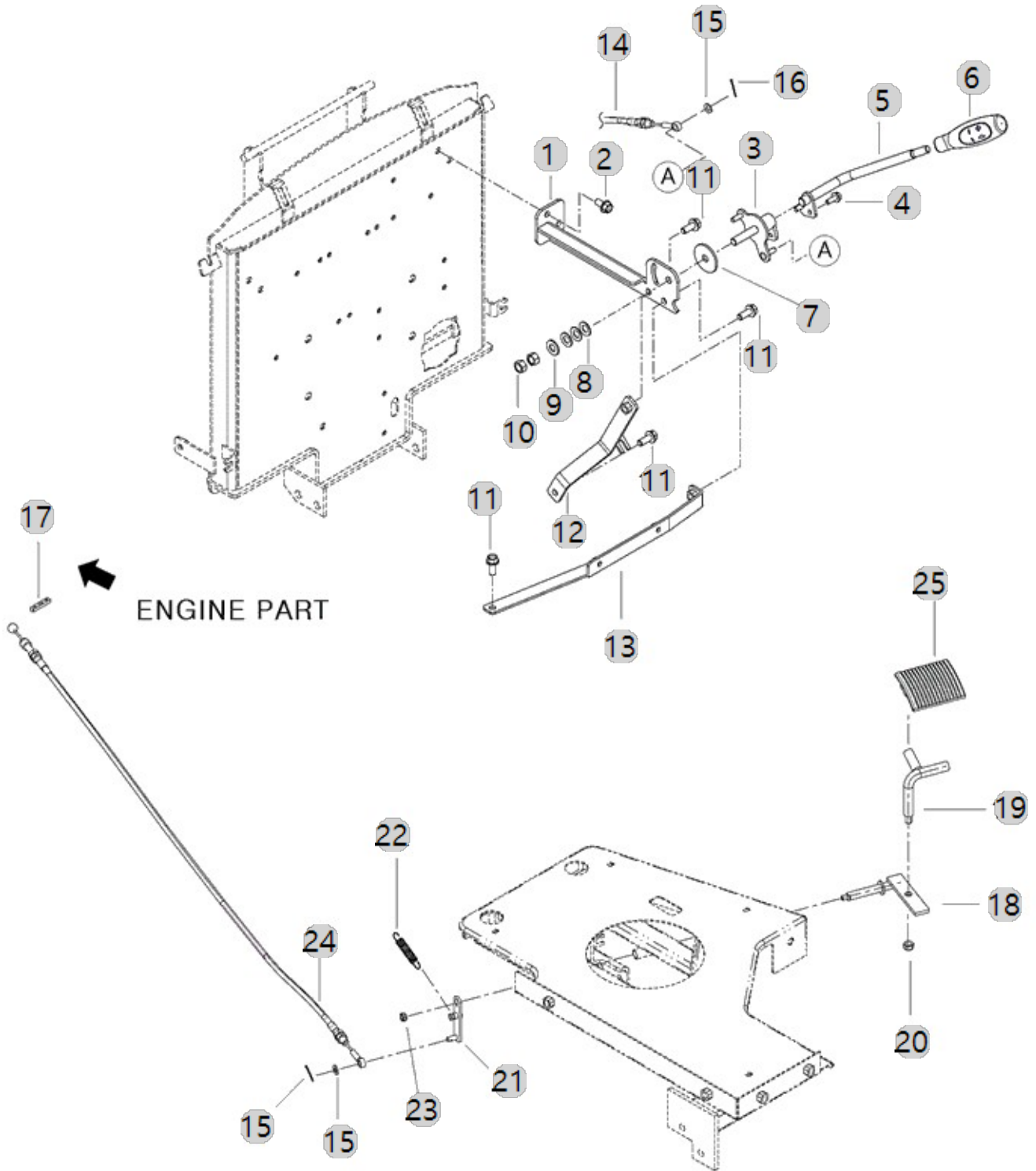
B05011

4215R_US_FL
(AC02161)

(LEVER ACCELERATOR)

Year/Month

2022-12-15



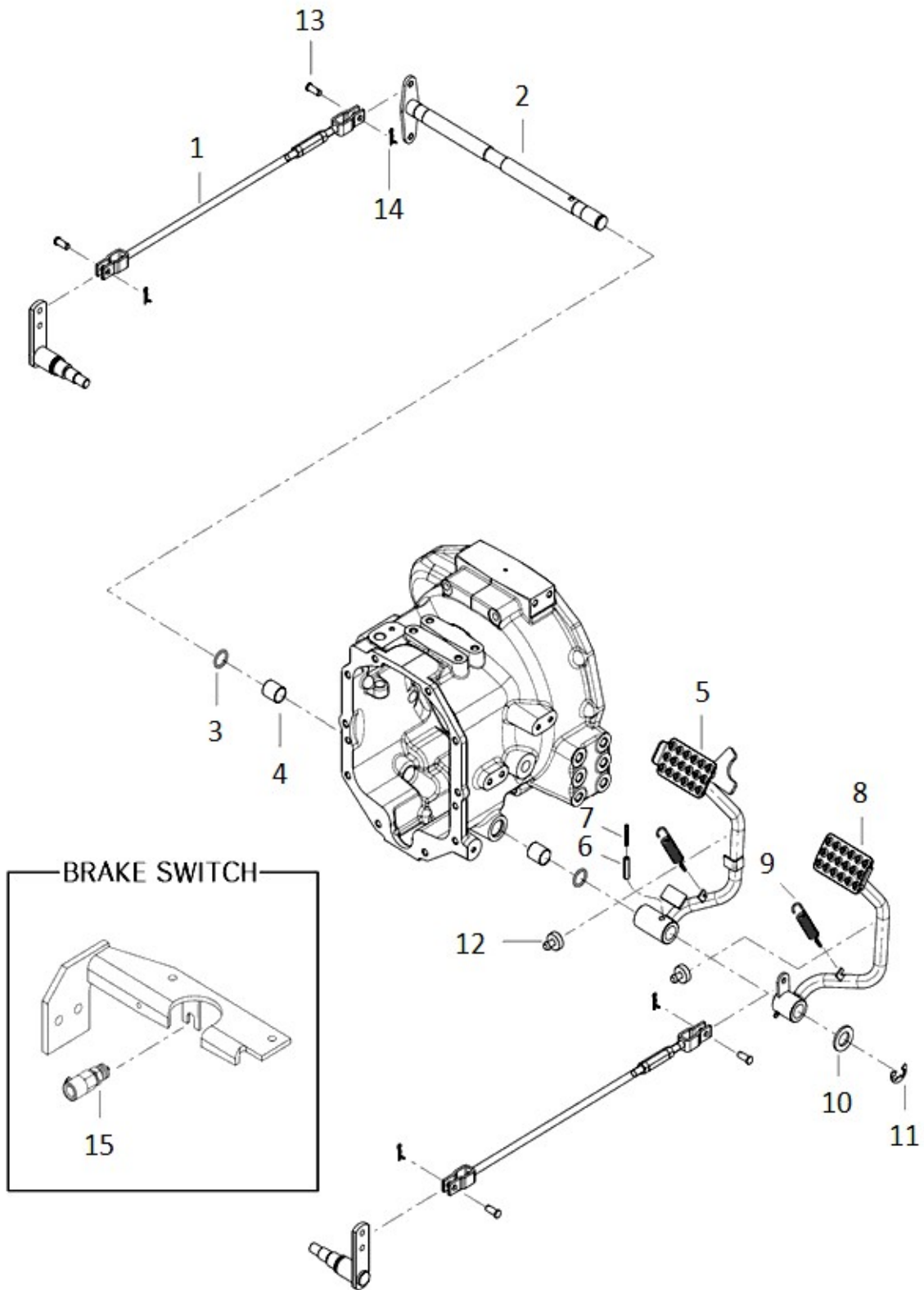
C02010-B

4215R_US_FL
(AC02161)

(BRAKE PEDAL)

Year/Month

2022-12-15



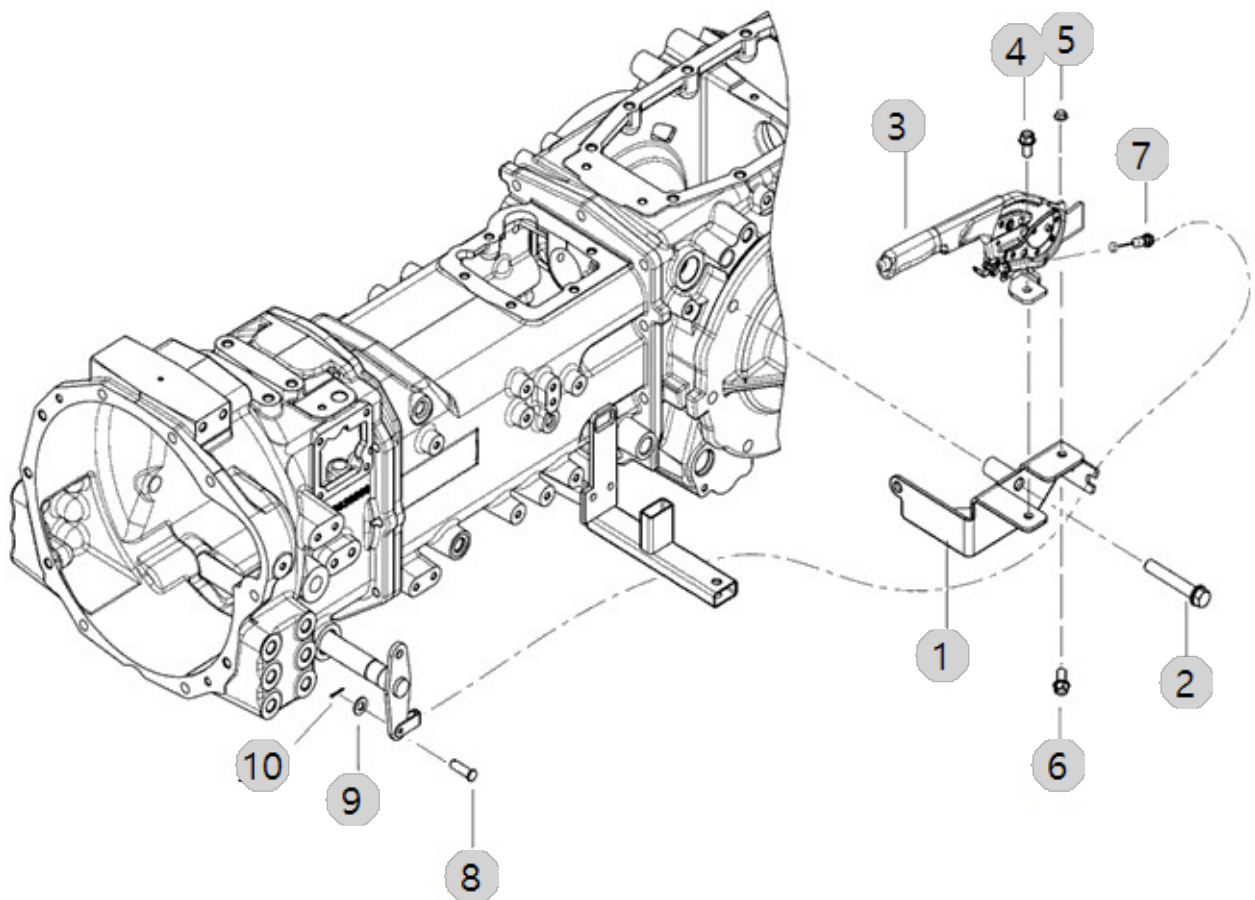
C02050

4215R_US_FL
(AC02161)

(PARKING BRAKE)

Year/Month

2022-12-15



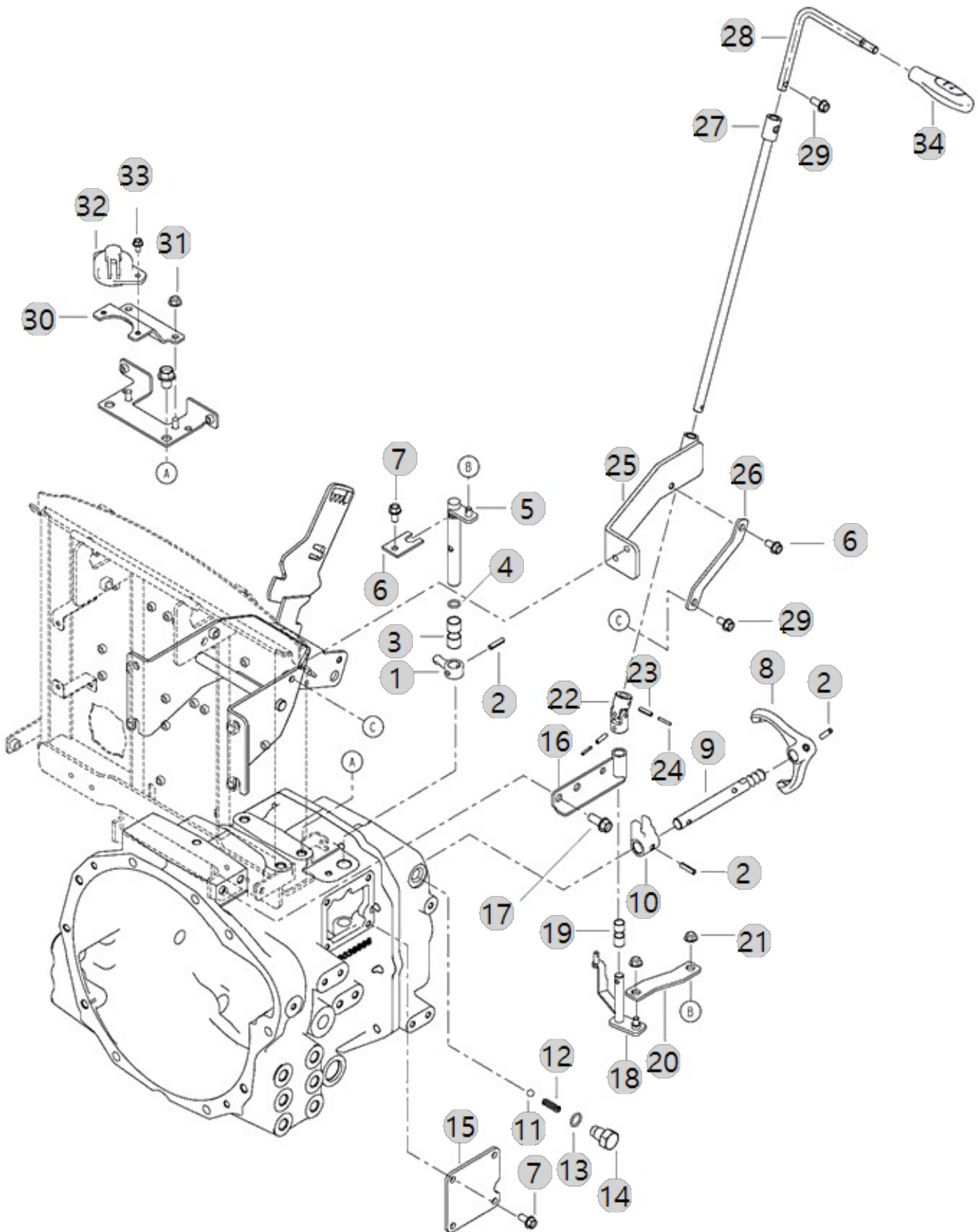
C04010

4215R_US_FL
(AC02161)

(SHUTTLE ASS'Y)

Year/Month

2022-12-15



C04010 4215R_US_FL (AC02161)		(SHUTTLE ASS'Y)				Year/Month 2022-12-15
순번 (NO)	부품번호 (PART NO)	품명 (PART NAME)	품명 (PART NAME)	수량 (QTY)	규격 (SPEC)	비고 (REMARK)
1	TA00038532A	주변속암	ARM-M/SHIFT	1		
2	22351-060025	SPRINGPIN6X25	PIN, SPRING (6-25)	3	D6X25	
3	24550-016150	드라이부시	DRYBUSH	2		
4	24311-000120	O-링 495-12	O-RING, DYNAMIC (Φ12)	1	P12	
5	TA00065140B	셔틀 축 조합	ASSY, SHUTTLE SHAFT	1		
6	TA00039028A	플레이트	PLATE	1		
7	26106-080162	플랜지볼트8X16	SCREW,HEXFLANGEHEADCAP	6	M8XP1.25X16	
8	TA00038785A	셔틀 포크	FORK, SHUTTLE	1		
9	TA00038503B	전후진포크축	SHAFT, F/R	1		
9	TA00038503A	전후진포크축	SHAFT, F/R	1		
10	TA00038399A	셔틀 시프터	SHIFTER, SHUTTLE	1		
11	24190-110001	강구11/32	Ball, Steel (11/32)	1	11/32	
12	TA00038502A	스프링	SPRING	1		
13	24311-000150	O-링(P형)	O-RING, DYNAMIC (Φ15)	1	P15	
14	TA00038524F	볼트	BOLT	1		
15	TA00039099B	셔틀 커버	COVER	1		
16	TA00065177D	셔틀 링크 브래킷	BRACKET, SHUTTLE LINK	1		
16	TA00065177B	셔틀 링크 브래킷	BRACKET, SHUTTLE LINK	1		
17	26106-100202	육각플랜지볼트	HEX BOLT, (10-20)	2	M10XP1.5X20	
18	TA00065142B	셔틀 링크 C	LINK, SHUTTLE C	1		
18	TA00065142A	셔틀 링크 C	LINK, SHUTTLE C	1		
18	TA00065142C	셔틀 링크 C	LINK, SHUTTLE C	1		
19	24550-012150	드라이부시	BUSH	4	12X15	
20	TA00065141B	연결 플레이트	PLATE	1		
21	26367-080002	259, 육각플랜지너트	HEX FLANGE NUT (Φ8)	4	M8XP1.25	
22	TA00060736A	조인트	JOINT	1		
23	22351-050020	스프링핀5X20	PIN, SPRING (5-20)	1	D5X20	
24	22351-030020	스프링핀3X20	PIN, SPRING (3X20)	1	D3X20	
25	TA00069052B	셔틀레버 브래킷 조합	BRACKET ASSY, SHUTTLE LEVER	1		
25	TA00069052A	셔틀레버 브래킷 조합	BRACKET ASSY, SHUTTLE LEVER	1		
26	TA00069055B	지지 브래킷	BRACKET, SUPPORT	1		
26	TA00069055A	지지 브래킷	BRACKET, SUPPORT	1		
27	TA00069067A	셔틀로드 조합	SHUTTLE ROD ASSY	1		
28	TA00069070B	셔틀레버	SHUTTLE LEVER	1		
28	TA00069070A	셔틀레버	SHUTTLE LEVER	1		
28	TA00069070C	셔틀레버	SHUTTLE LEVER	1		
29	26106-080202	육각플랜지볼트	SQR FLANGE BOLT	2	M8XP1.25X20	
30	TA00065189B	센서 취부 브래킷	BRACKET	1		
30	TA00065189A	센서 취부 브래킷	BRACKET	1		
31	26367-080002	259, 육각플랜지너트	HEX FLANGE NUT (Φ8)	2	M8XP1.25	
32	TCD9110000C2	스위치(FR)	SWITCH(FR)	1		
32	TCD9110000D2	스위치(FR)	SWITCH(FR)	1		
33	26106-060122	육각플랜지볼트	HEX BOLT (6-12)	2	M6XP1.0X12	
34	TA00056013A	셔틀 노브 조합(복미)	KNOB (LEVER SHUTTLE)	1		

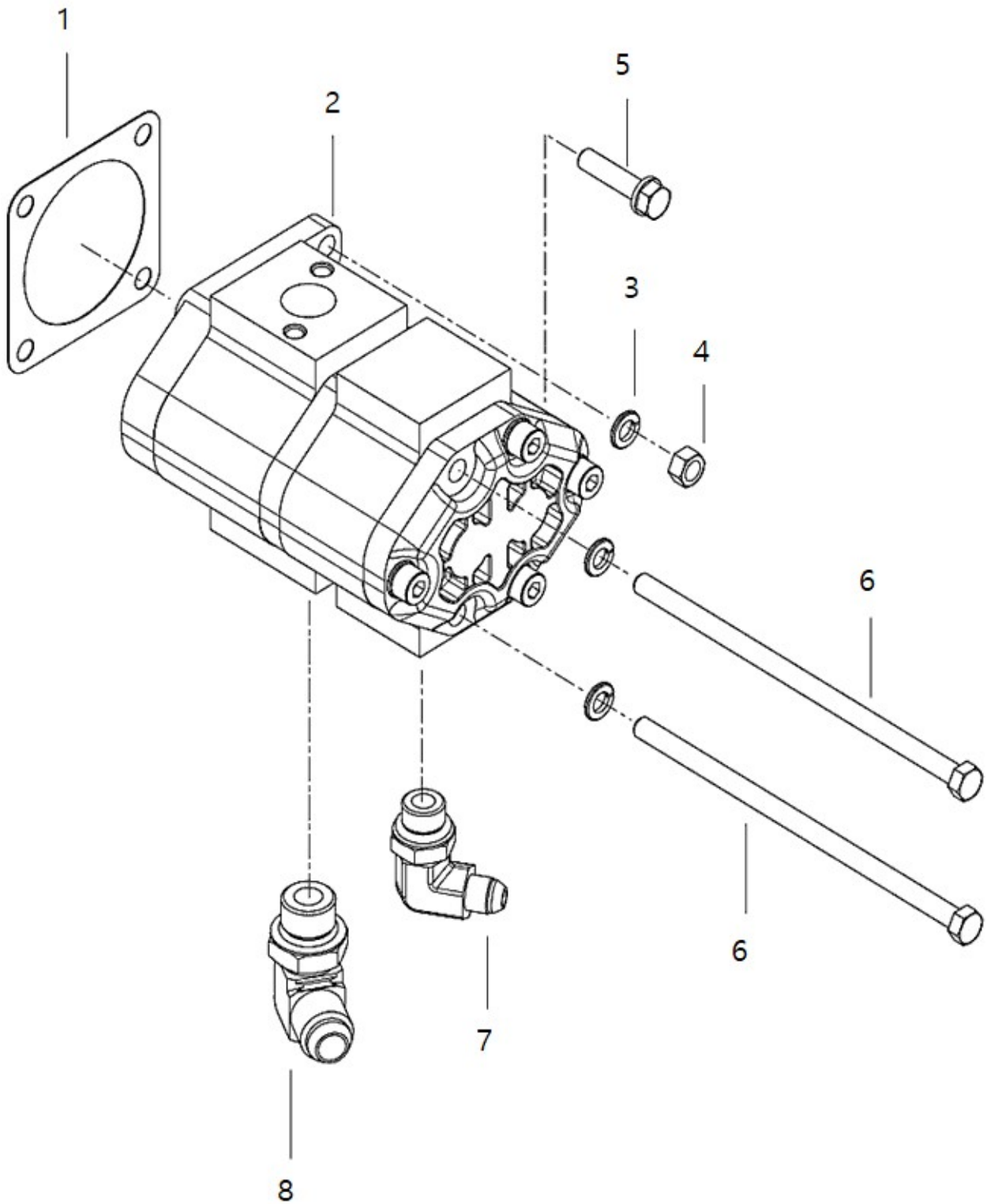
D01010-B

4215R_US_FL
(AC02161)

(HYD PUMP)

Year/Month

2022-12-15



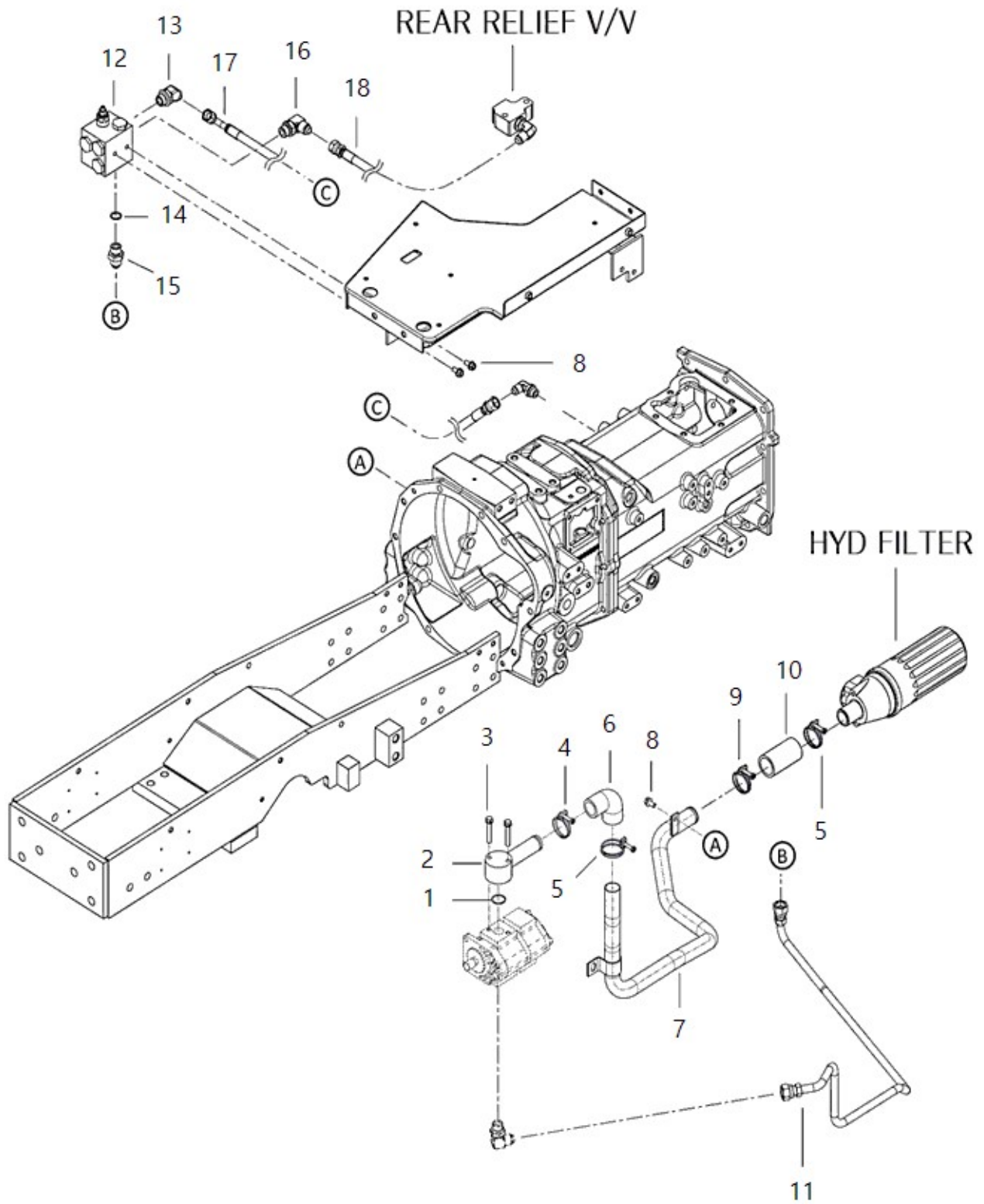
D01020-B

4215R_US_FL
(AC02161)

(LOW PRESSURE PIPE)

Year/Month

2022-12-15



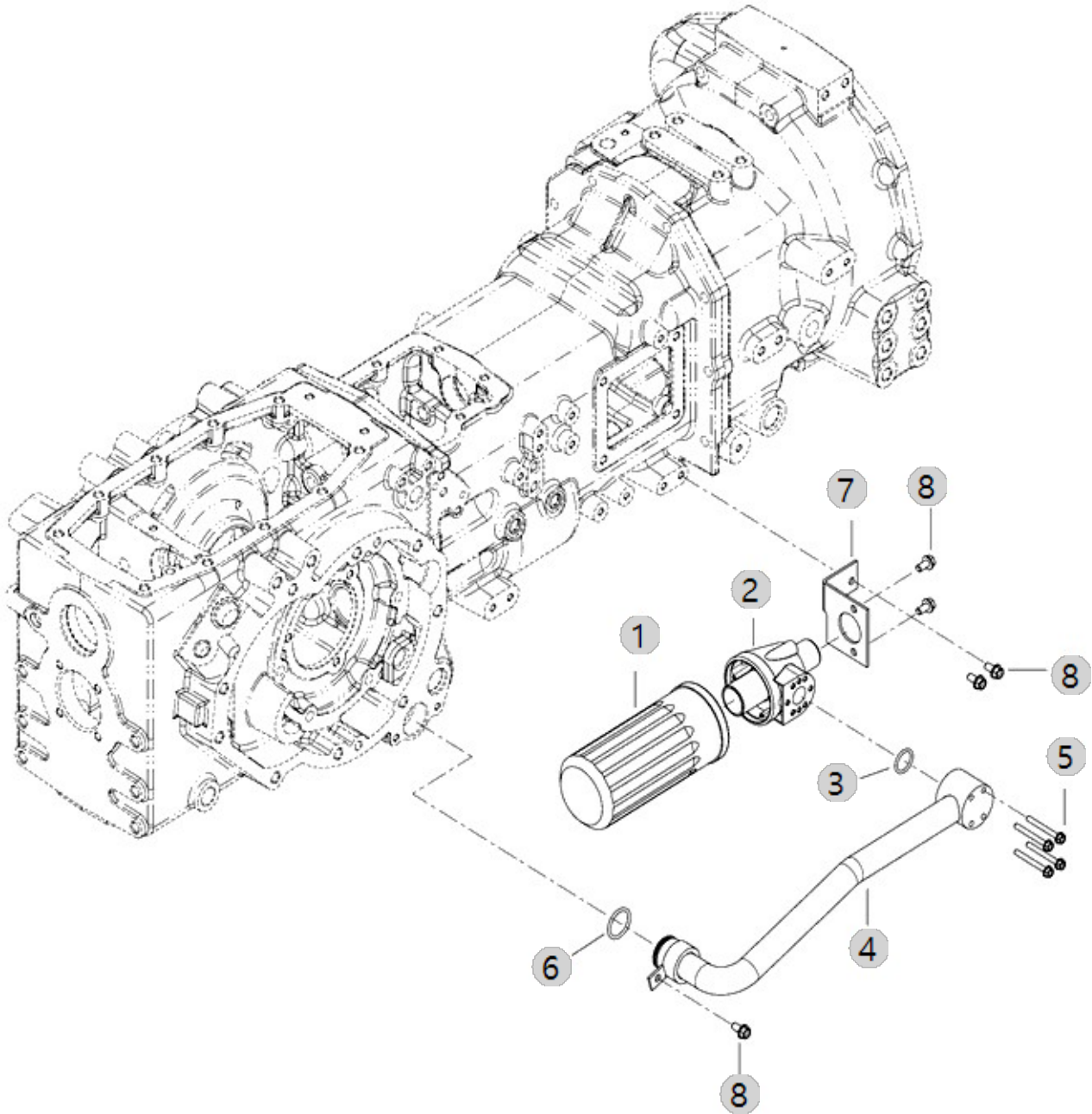
D01040

4215R_US_FL
(AC02161)

(HYD FILTER)

Year/Month

2022-12-15



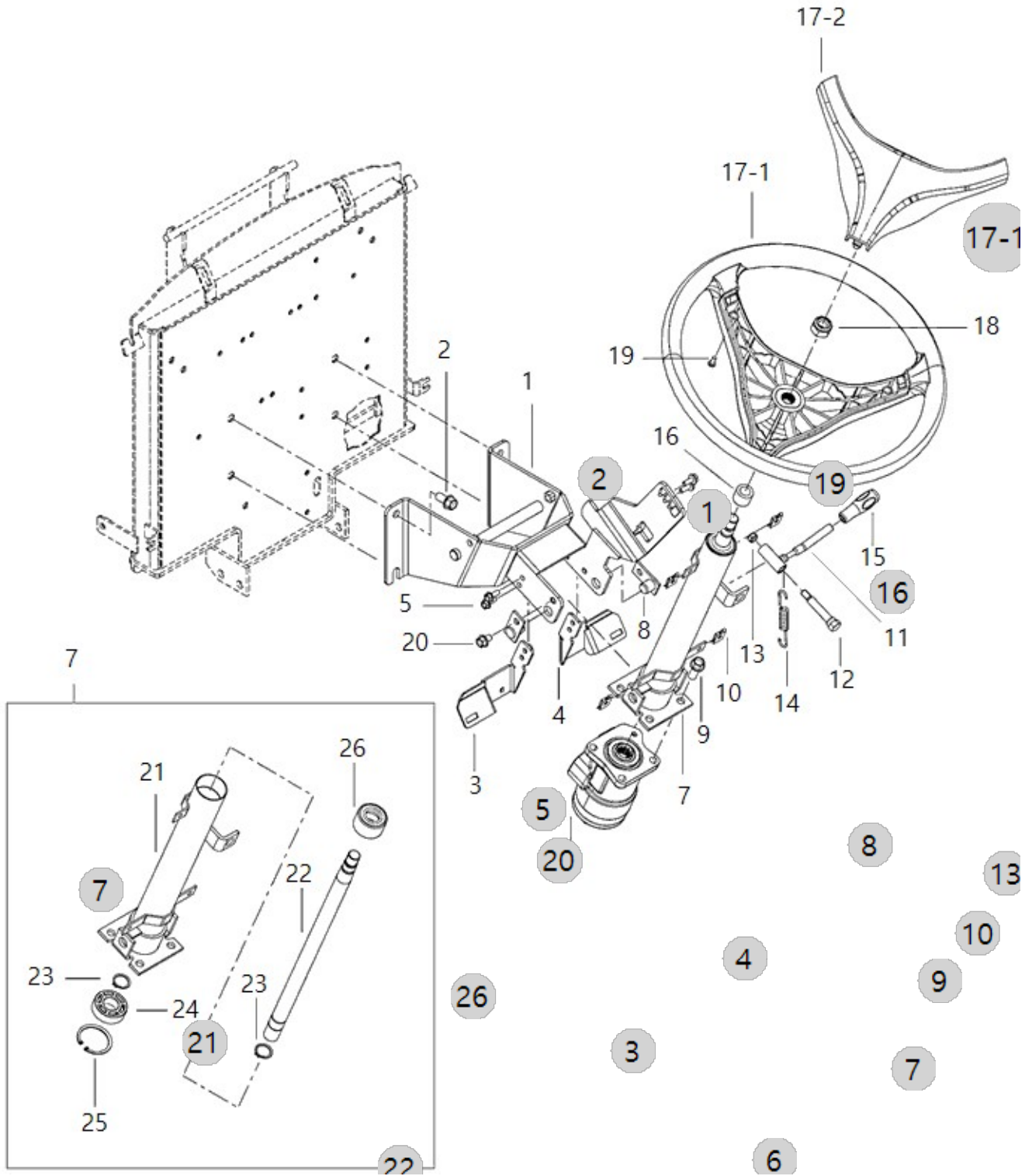
D02010

4215R_US_FL
(AC02161)

(STEERING COLUMN)

Year/Month

2022-12-15



D02010 4215R_US_FL (AC02161)		(STEERING COLUMN)				Year/Month 2022-12-15
순번 (NO)	부품번호 (PART NO)	품명 (PART NAME)	품명 (PART NAME)	수량 (QTY)	규격 (SPEC)	비고 (REMARK)
1	TA00065166B	컬럼 스테이 조합	ASSY, COLUMN STAY	1		
1	TA00065166C	컬럼 스테이 조합	ASSY, COLUMN STAY	1		
2	26106-100202	육각플랜지볼트	HEX BOLT, (10-20)	4	M10XP1.5X20	
3	TA00065190A	대시 고정 브래킷 (좌) 조합	ASSY, BRACKET LH	1		
3	TA00065190B	대시 고정 브래킷 (좌) 조합	ASSY, BRACKET LH	1		
4	TA00065193B	대시 고정 브래킷 (우) 조합	ASSY, BRACKET RH	1		
4	TA00065193A	대시 고정 브래킷 (우) 조합	ASSY, BRACKET RH	1		
5	26106-060162	육각플랜지 볼트	HEXFLANGEBOLT	4	M6XP1.0X16	
6	TA00041589B	PST밸브	P.S.T VALVE	1		
7	TA00065555B	컬럼조합	ASSY, COLUMN	1		
7	TA00065555A	컬럼조합	ASSY, COLUMN	1		
8	TC65060000B4	틸트 핀조합	TILTPINASS'Y	2		
9	26136-100252	육각플랜지볼트(세목)	SCREW, HEX FLANGE HEAD CAP	3	M10X25	
10	TTD7110000B4	스피드 너트 5008	SPEED NUT NS5008	4	0.7T	
10	TTD7110000C4	스피드 너트 5008	SPEED NUT NS5008	4	0.7T	
11	TA00065562A	틸트 레버	LEVER, TILT	1		
12	TA00065564A	틸트 볼트	BOLT, TILT	1		
13	26347-080002	U너트	Unut	1	M8XP1.25	
14	TC65050000A4	틸트스프링	TILTSPRING	1		
15	TA00015785A	스탠드 손잡이	LEVER, STAND	1		
16	TC65130000A4	커버(축)	COVER,SHAFT	1		
17	TA00048048C	스티어링 휠조합	STEERING WHEEL ASS'Y	1		
17-1	TA00048049B	스티어링 휠	STEERING WHEEL	1		
17-2	TA00048050B	커버	COVER	1		
18	TA00048436B	U너트(M16XP1.5)	U-NUT	1		
19	22587-480124	냄비머리태핑나사	TAPPING SCREW	3	4.8X12	
20	26106-080122	육각플랜지볼트	Bolt, Hexa (8-12)	2	M8XP1.25X12	
21	TA00065163A	컬럼 커버 조합	ASSY, COLUMN	1		
21	TA00065163B	컬럼 커버 조합	ASSY, COLUMN	1		
22	TA00054109C	스티어링축(수출)	SHAFT, STEERING	1		
23	22242-000200	축용스냅링20	SNAP RING, SHAFT (Φ 20)	2	D20(축용)	
24	TA00060975A	캡 로울러	CAP ROLLER	1		
25	22252-000450	구멍용스냅링45	RING, CIRCLIP (Φ 45)	1	D45	
26	TC65020400A9	컬럼부츠	COLUMNBUSH	1		

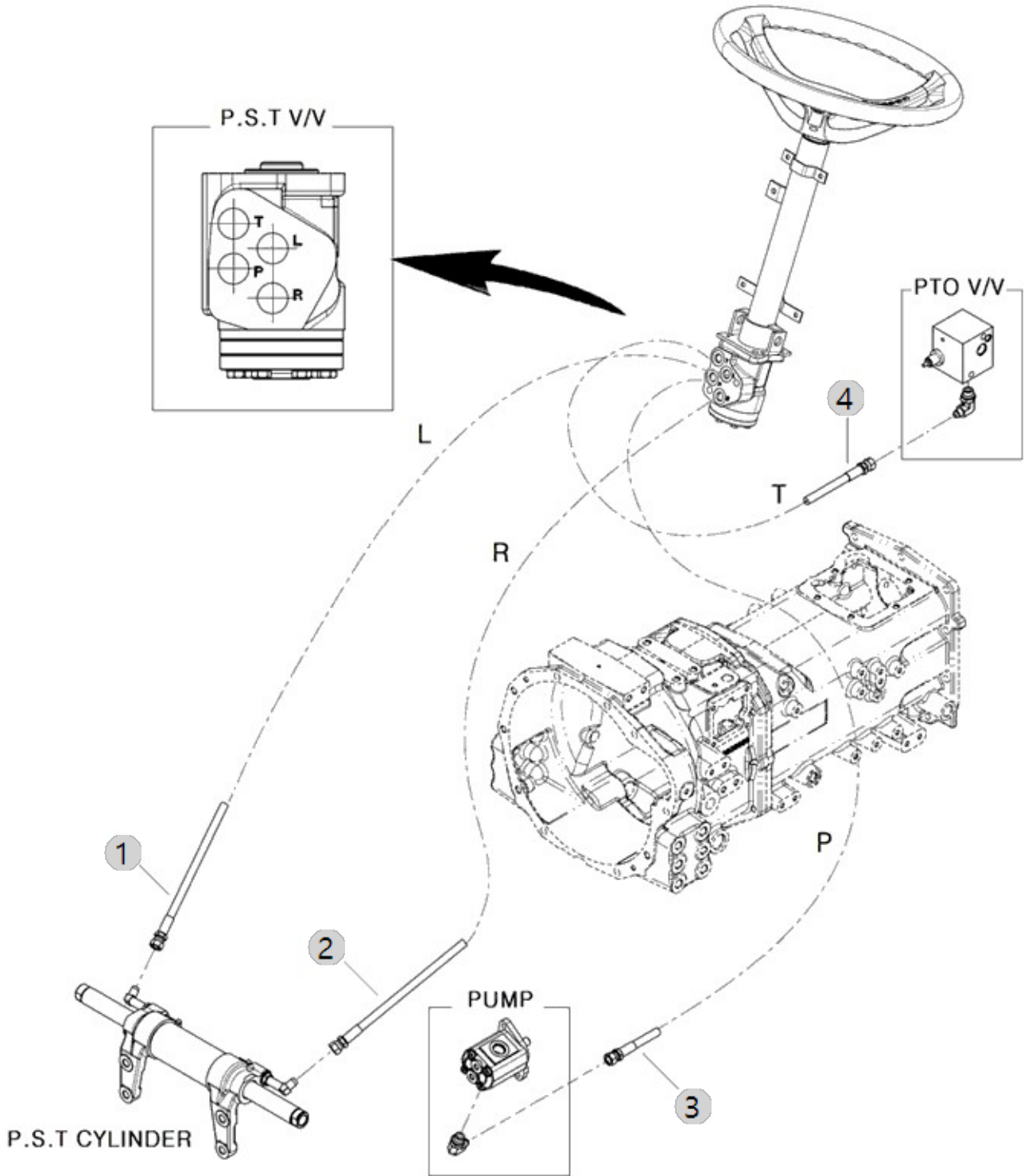
D02030

4215R_US_FL
(AC02161)

(P.S.T HOSE)

Year/Month

2022-12-15



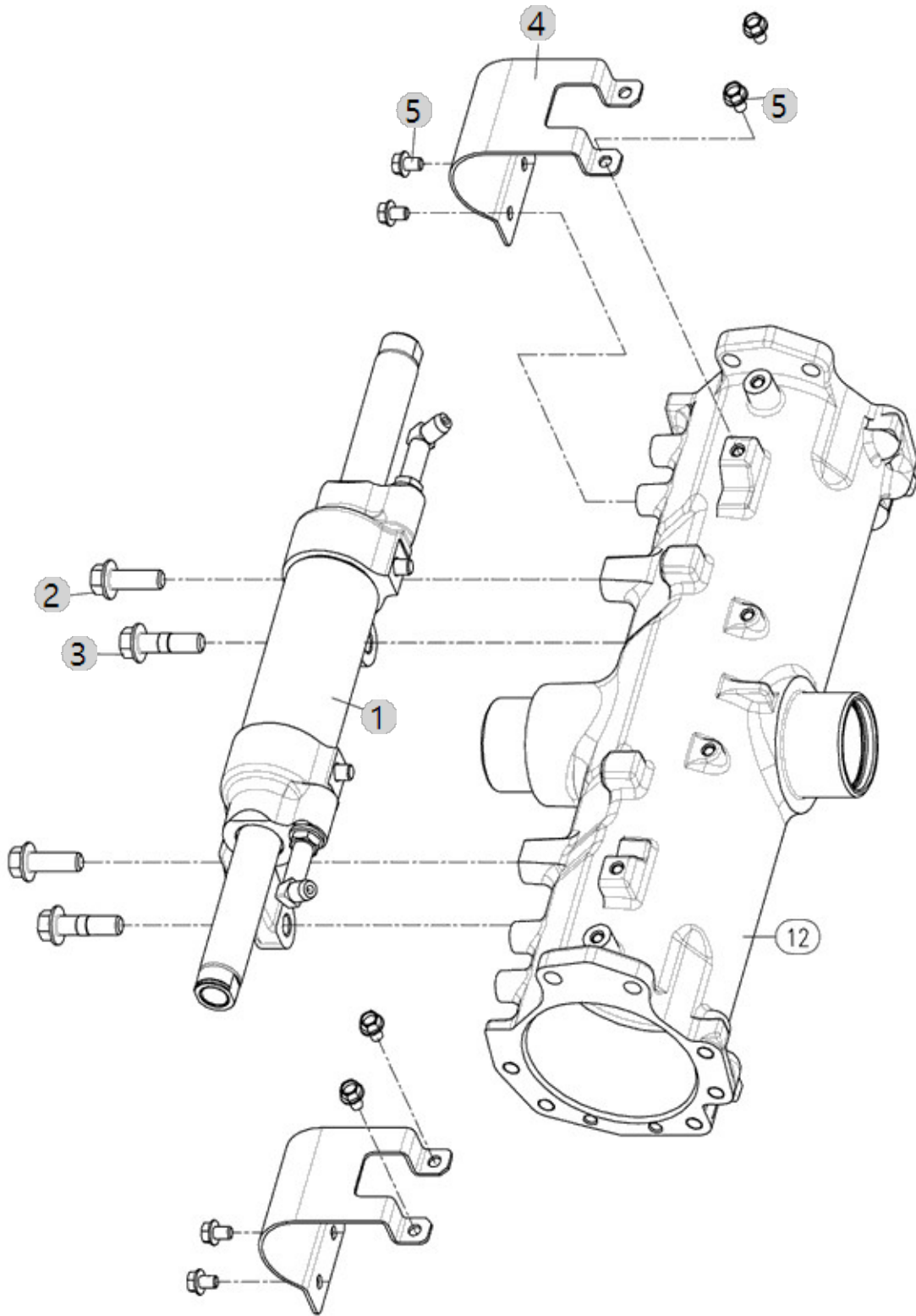
D02040

4215R_US_FL
(AC02161)

(P.S.T CYLINDER)

Year/Month

2022-12-15



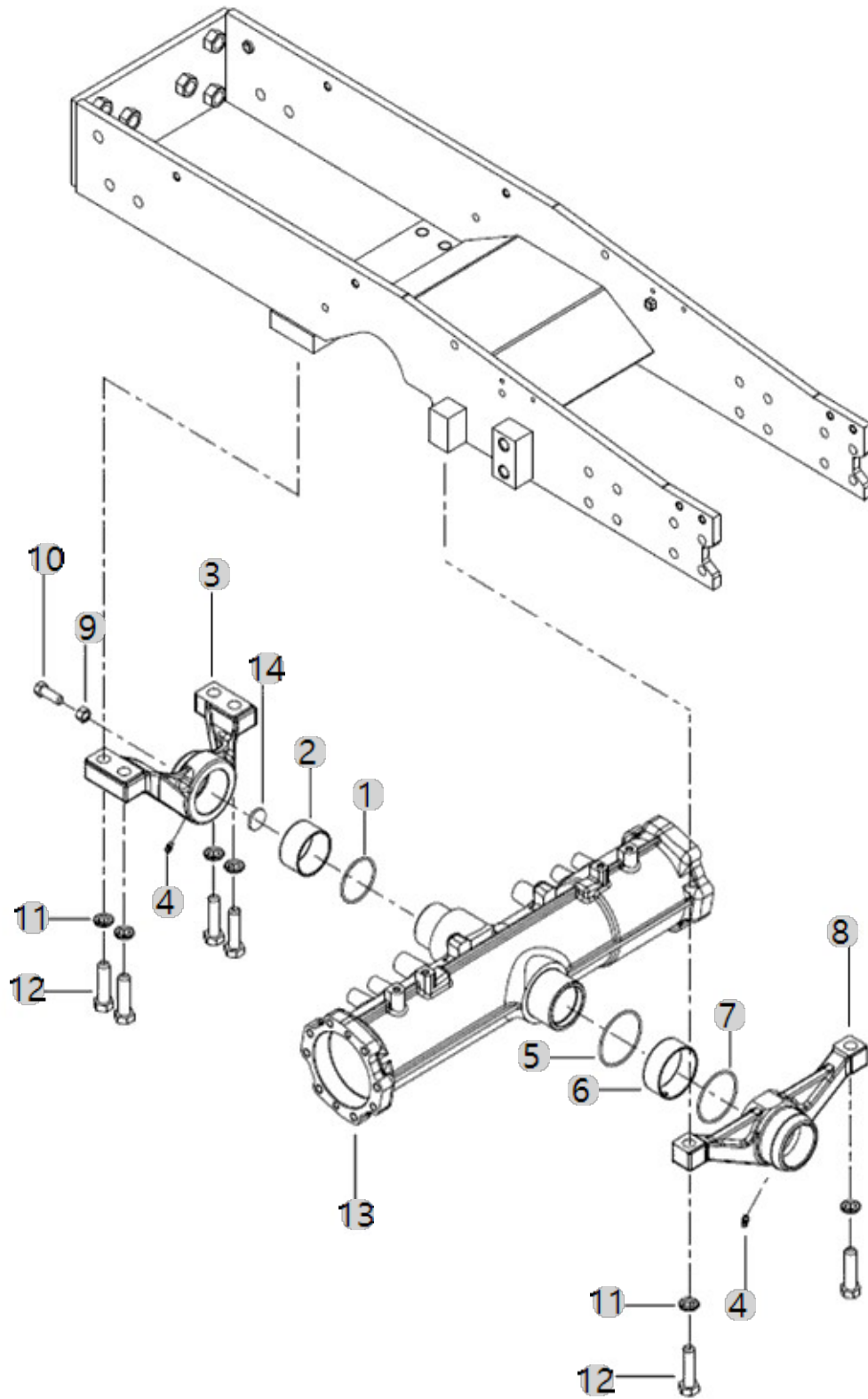
E01010

4215R_US_FL
(AC02161)

(FRONT AXLE CASE)

Year/Month

2022-12-15



E01010 4215R_US_FL (AC02161)		(FRONT AXLE CASE)				Year/Month
						2022-12-15
순번 (NO)	부품번호 (PART NO)	품명 (PART NAME)	품명 (PART NAME)	수량 (QTY)	규격 (SPEC)	비고 (REMARK)
1	24321-000600	O-링1AG-60(국산)	SEAL,ORING	1	G60	
2	TA00034105A	서포트(전)부시	BUSH	1		
3	TA00048801B	액슬 전방 서포트 조합	FRONT AXLE SUPPROT ASS'Y	1		
3	TA00048801A	액슬 전방 서포트 조합	FRONT AXLE SUPPROT ASS'Y	1		
4	24764-060000	그리스니플	GREASE NIPPLE	2		
5	24321-000750	O-RING1AG-75	SEAL,ORING	1	G75	
6	TA00034103A	서포트(후)부시	BUSH	1		
7	24321-000700	O-링1AG-70(국산)D130공용	O-RING1AG-70	1	G70	
8	TA00034102C	액슬 서포트(후)조합	AXLE SUPPORT (REAR)ASS'Y	1		
8	TA00034102D	액슬 서포트(후)조합	AXLE SUPPORT (REAR)	1		
9	26716-120002	295,ALL,육각너트	HEXA NUT295	1	M12X1.75	
10	26116-120354	육각보울트	BOLT	1	M12X1.75X35	
11	22217-160000	스프링와셔	WASHER, SPRING (Φ 16)	6	M16	
12	26116-160602	육각볼트	HEX BOLT	6	M16XP2.0X60	
13	TA00048800A	전차축케이스	CASE, FRONT AXLE	1		
14	TA00048803A	와셔(D30X4T)	WASHER	1		

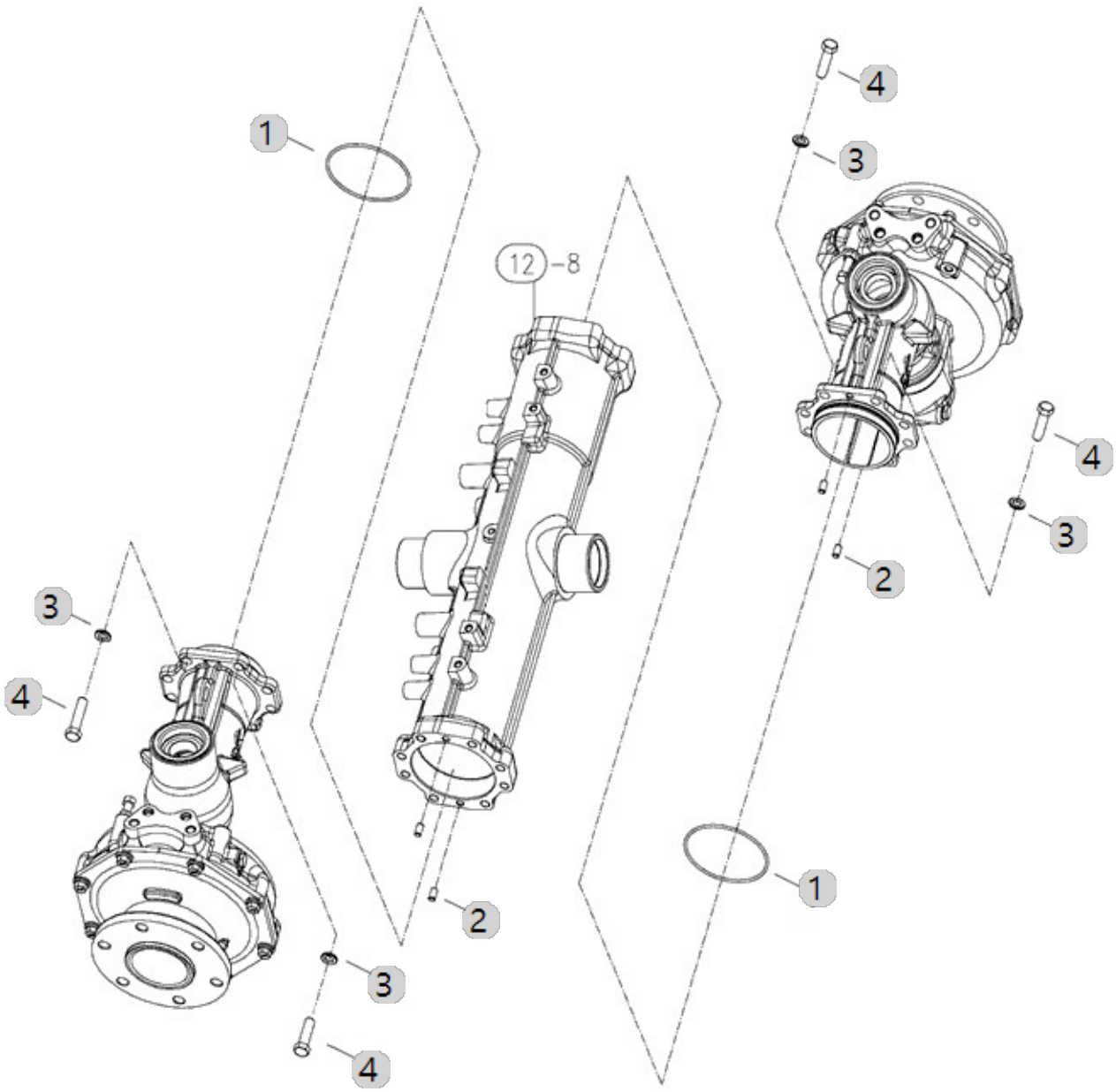
E01013

4215R_US_FL
(AC02161)

(SPACER)

Year/Month

2022-12-15



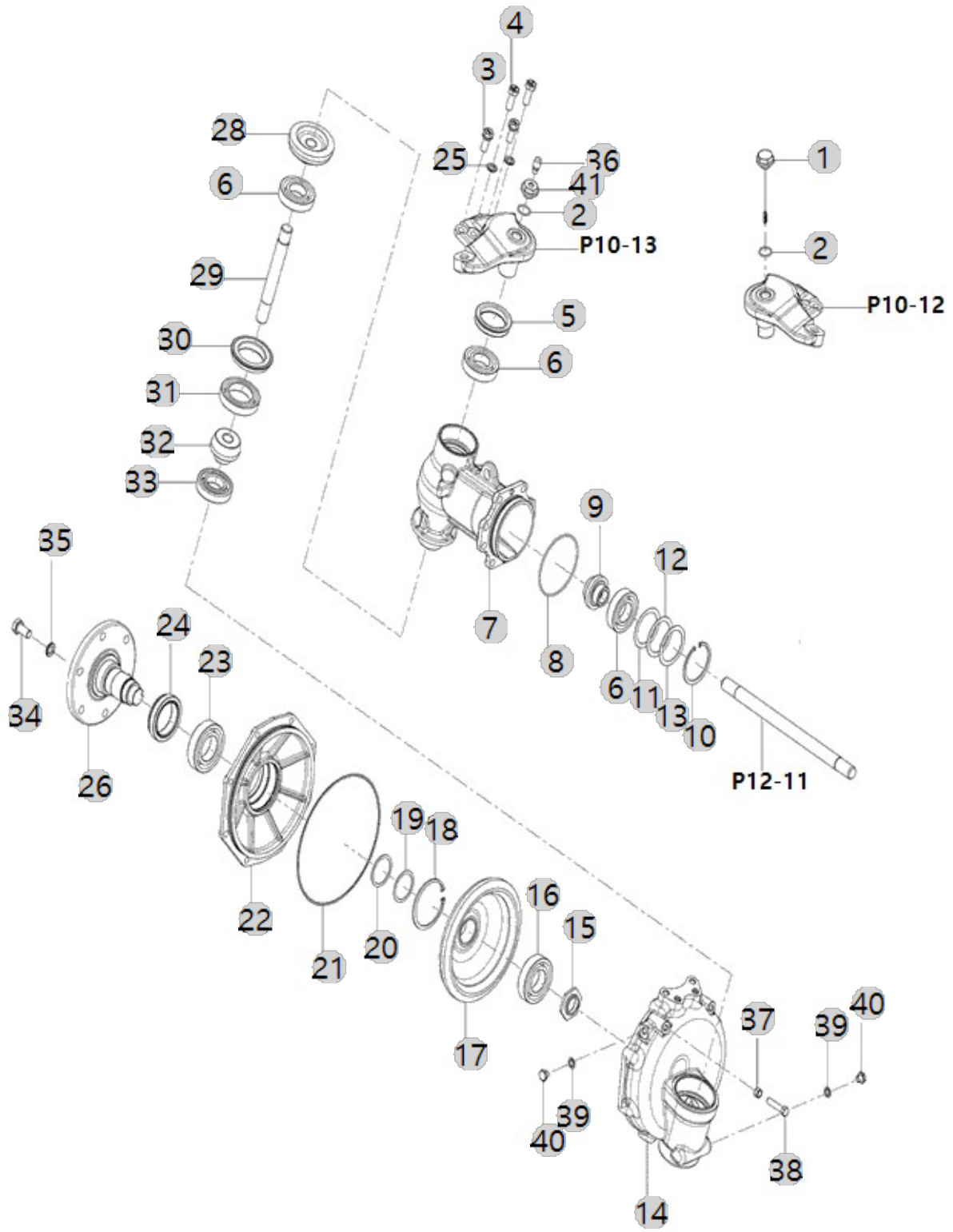
E01030

4215R_US_FL
(AC02161)

(GEAR CASE, FRONT AXLE)

Year/Month

2022-12-15



E01030 4215R_US_FL (AC02161)		(GEAR CASE, FRONT AXLE)				Year/Month 2022-12-15
순번 (NO)	부품번호 (PART NO)	품명 (PART NAME)	품명 (PART NAME)	수량 (QTY)	규격 (SPEC)	비고 (REMARK)
36	TA00049842B	에어브리더(STEEL)	AIR BREATHER	1		
1	TA00033805A	검유봉	OIL GUAGE	1		
2	24311-000220	O-RING1AP-22.0	O-RING, DYNAMIC (Φ22)	2	1A P22.0	
3	TA00033468C	와셔조립육각볼트	BOLT W/ WASHER	4		
4	TA00033475B	리머볼트	SPACER	4		
5	FE78010000B	오일실 (특수) 55x72x13.5	OIL SEAL (55X72X13.5)	2	55X72X13.5	
6	24101-062074	볼베어링6207	BALL BEARING (#6207)	6	#6207	
7	TA00033457C	프런트기어케이스	CASE, FRONT GEAR	2		
8	24321-001050	O-링	O-RING	2		
9	TA00033461B	전1축피니언9T	PINION, FRONT 1ST SHAFT	2		
10	22252-000720	구멍용스냅링72	RING, CIRCLIP (Φ 72)	2	D72	
11	TA00033489A	심 0.2T	SHIM 0.2T	2		
12	TA00033488A	심 0.3T	SHIM 0.3T	2		
13	TA00033487A	심 0.5T	SHIM 0.5T	2		
14	TA00033458C	프런트기어박스	GEAR BOX, FRONT	2		
15	TA00033481A	로크너트	LOCK NUT	2		
16	24101-062084	볼베어링6208	Bearing, Ball (#6208)	2	#6208	
17	TA00033474A	베벨기어 49T	GEAR, BEVEL 49T	2		
18	22252-000850	써클립85H	RING, CIRCLIP (Φ 85)	2		
19	TA00033486A	심 0.2T	SHIM 0.2T	1		
20	TA00033485A	심 0.5T	SHIM 0.5T	1		
21	TA00033939A	O링	O RING	2		
22	TA00033459C	프런트베어링케이스	BEARING CASE, FRONT	1		
23	24101-062094	볼베어링6209	BALL BEARING (#6209)	2	#6209	
24	TA00041359A	오일씰	OILSEAL	2		
25	22217-120000	스프링와셔	WASHER, SPRING (Φ 12)	2	M12	
26	TA00033460D	프런트스핀들	SPINDLE, FRONT	2		
26	TA00033460C	프런트스핀들	SPINDLE, FRONT	2		
26	TA00033460E	프런트스핀들	SPINDLE, FRONT	2		
27	TA00033469B	와셔조립육각볼트	BOLT W/ WASHER	16		
28	TA00033463A	전2축기어	FRONT 2ND AXLE LH	2		
29	TA00033464A	전2축	FRONT 2ND SHAFT	2		
30	TC60110000A3	오일실(AJ)	SEAL, OIL	2		
31	24101-060104	볼베어링6010	Bearing, Ball (#6010)	2	#6010	
32	TA00033473A	베벨기어 11T	GEAR, BEVEL 11T	2		
33	TC60340000A4	베어링TM207C3	BEARING(TM207C3)	2	TM207C3	
34	TD23120000B4	프런트 허브 볼트(M14X28)	BOLT	12	M14XP1.5	
35	22217-140000	스프링와셔14	WASHER, SPRING (Φ 14)	12	M14	
36	TA00049842A	에어브리더(STEEL)	AIR BREATHER	1		
37	26716-100001	육각너트	NUT	2		
38	26112-100452	육각볼트	BOLT	2		
39	22190-100000	실와셔	WASHER	4	M10	
40	23887-100002	플러그(미터)	SCREW,HEXAGONHEADCAP	4	M10	
41	TA00049843B	에어브리더 플러그	ADAPTHER	1		

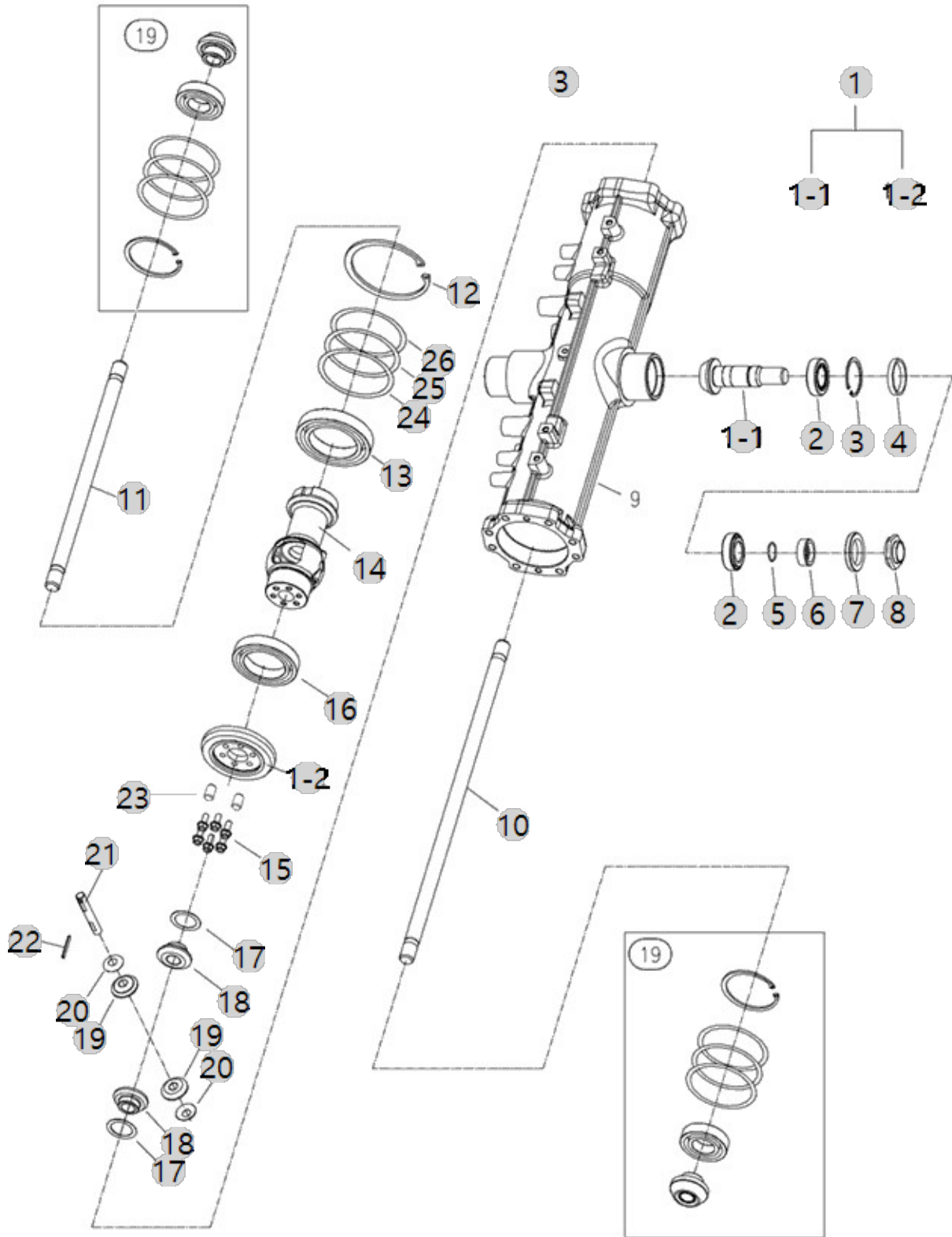
E01070

4215R_US_FL
(AC02161)

(FRONT DRIVE SHAFT)

Year/Month

2022-12-15



E01070		(FRONT DRIVE SHAFT)				Year/Month
4215R_US_FL (AC02161)						2022-12-15
순번 (NO)	부품번호 (PART NO)	품명 (PART NAME)	품명 (PART NAME)	수량 (QTY)	규격 (SPEC)	비고 (REMARK)
1	TA00033454C	링기어조합	RING GEAR ASSY	1		
1-1	TA00033455B	카운터축	COUNT SHAFT	1		
1-2	TA00033456C	링기어	RING GEAR	1		
2	24141-320060	테이퍼롤러베어링320060	BEARING, ROLLER (#32-00-60)	2	32006	
3	22252-000550	구멍용스냅링(C형)	RING, CIRCLIP (Φ 55)	1	D55	
4	TA00033478A	간격판	PLATE	1		
5	24311-000300	O링(P형)	O RING(P TYPE)	1	P30	
6	TA00033471A	부시	BUSH	1		
7	24421-405508	오일실TC405508	OIL SEAL	1		
8	TA00033472A	너트	NUT	1		
10	TA00033466A	전1축LH	FRONT 1ST AXLE LH	1		
11	TA00033462A	전1축RH	FRONT 1ST SHAFT RH	1		
12	22252-001100	구멍용스냅링	RING, CIRCLIP (Φ110)	2	D110	
13	24101-060144	볼베어링6014	BALL BEARING (#6014)	1	#6014	
14	TA00033451C	차동케이스	DIFF. CASE	1		
15	TA00054318B	볼트(M8X1.0)	BOLT	6		
16	24101-060134	볼베어링6013	BALL BEARING (#6013)	2		
17	TC57120000A4	차동사이드기어라이너	LINER, DIFFERENTIAL GEAR	2		
18	TC57090000A4	차동사이드기어14	GEAR, DIFFERENTIAL 14	2		
19	TC57100000A4	차동피니언기어10	DIFFERENTIAL PINION GEAR 10	2		
20	TC57130000A4	차동피니언라이너	LINER, DIFFERENTIAL PINION	2		
21	TC57110000B4	차동피니언축	SHAFT, PINION	1		
22	22351-040040	스프링핀	PIN, SPRING (4-04)	1	D4X40	
23	22312-080140	평행핀	PIN, DOWEL (8-14)	2	D8X14	
24	TA00033482A	심 0.5T	SHIM 0.5T	1		
25	TA00033483A	심 0.3T	SHIM 0.3T	1		
26	TA00033484A	심 0.2T	SHIM 0.2T	1		

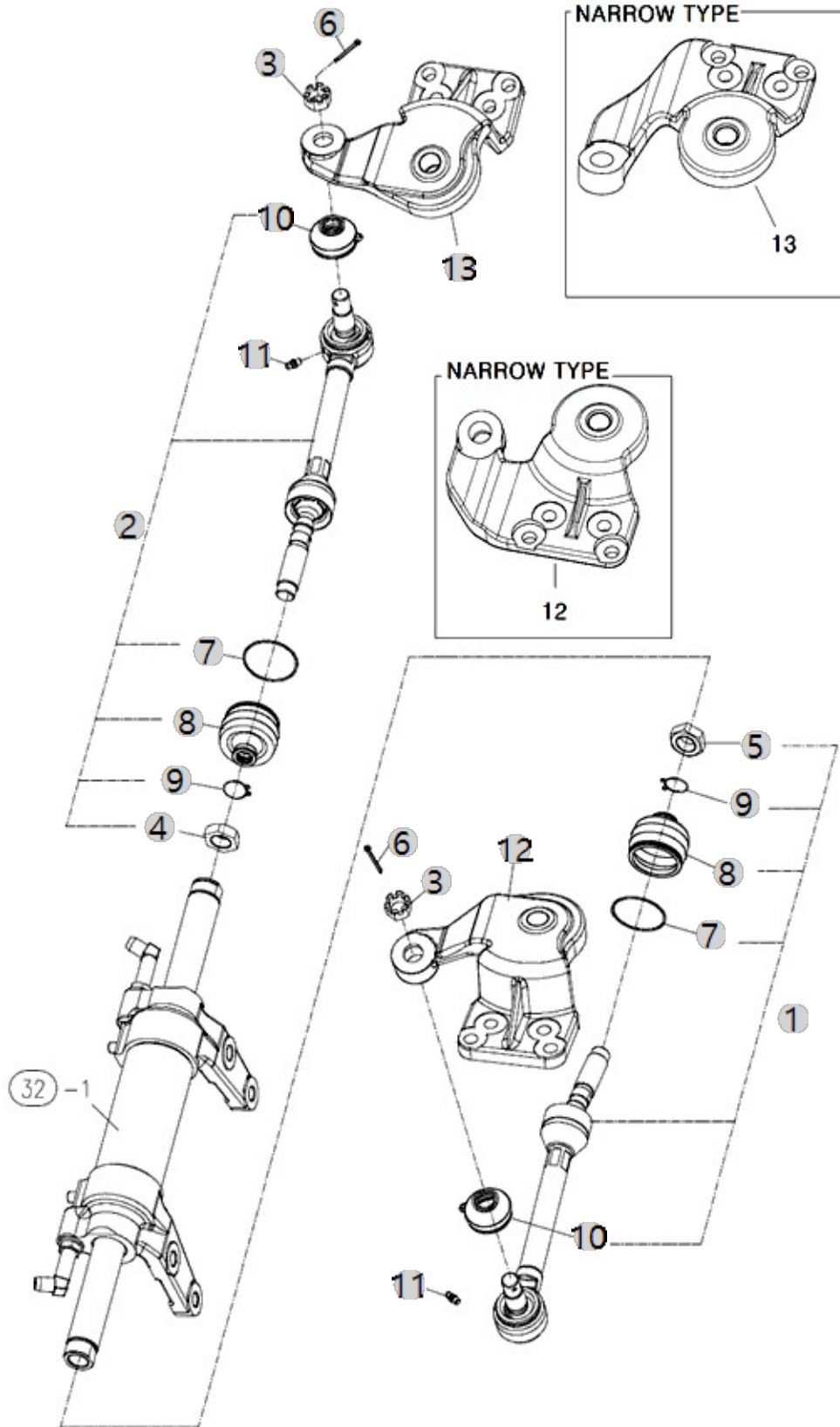
E01080

4215R_US_FL
(AC02161)

(TIE ROD)

Year/Month

2022-12-15



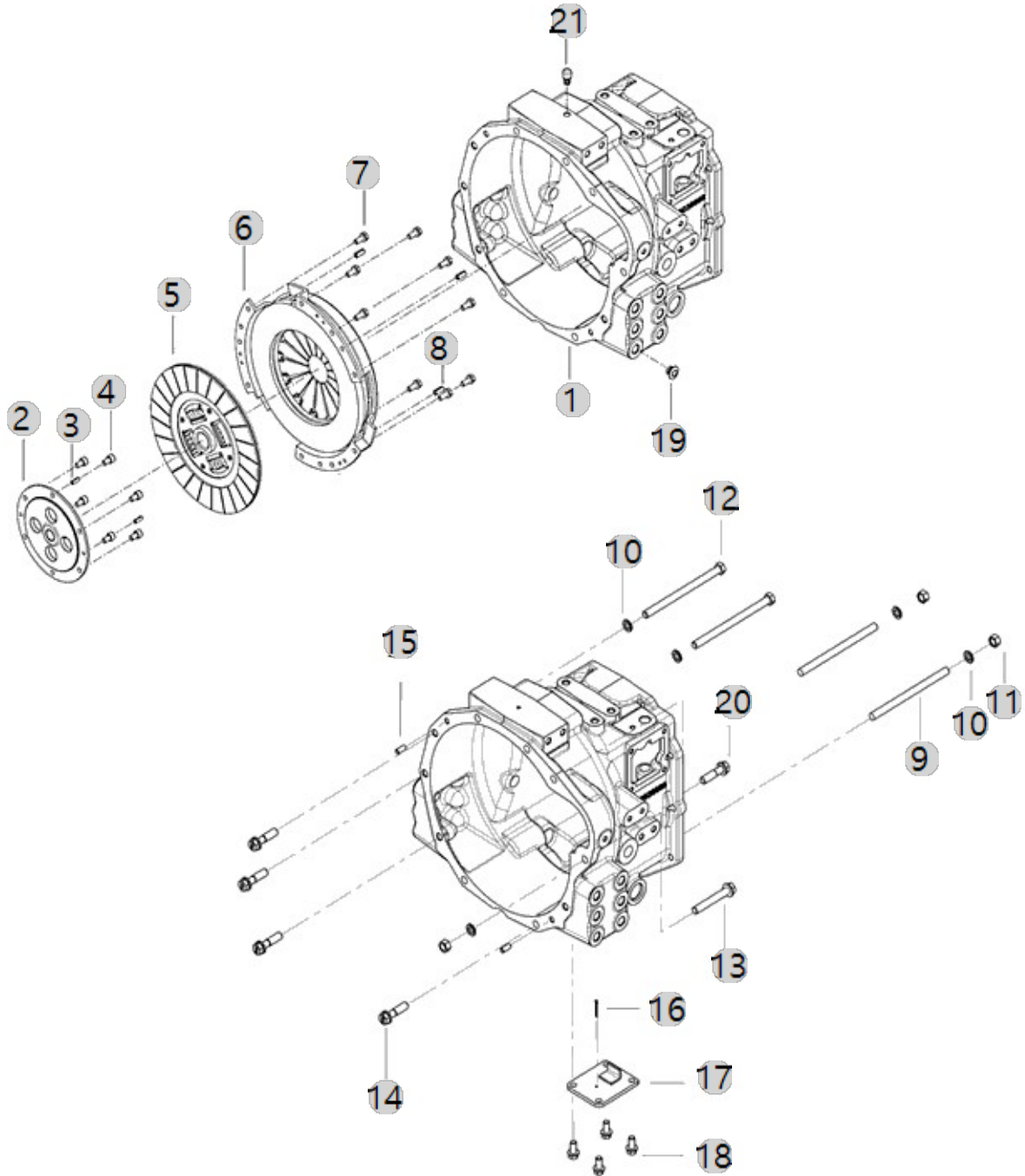
F01010-B

BRANSON 15R
TM_US_FL(AC01899)

(CLUTCH HOUSING)

Year/Month

2022-12-15



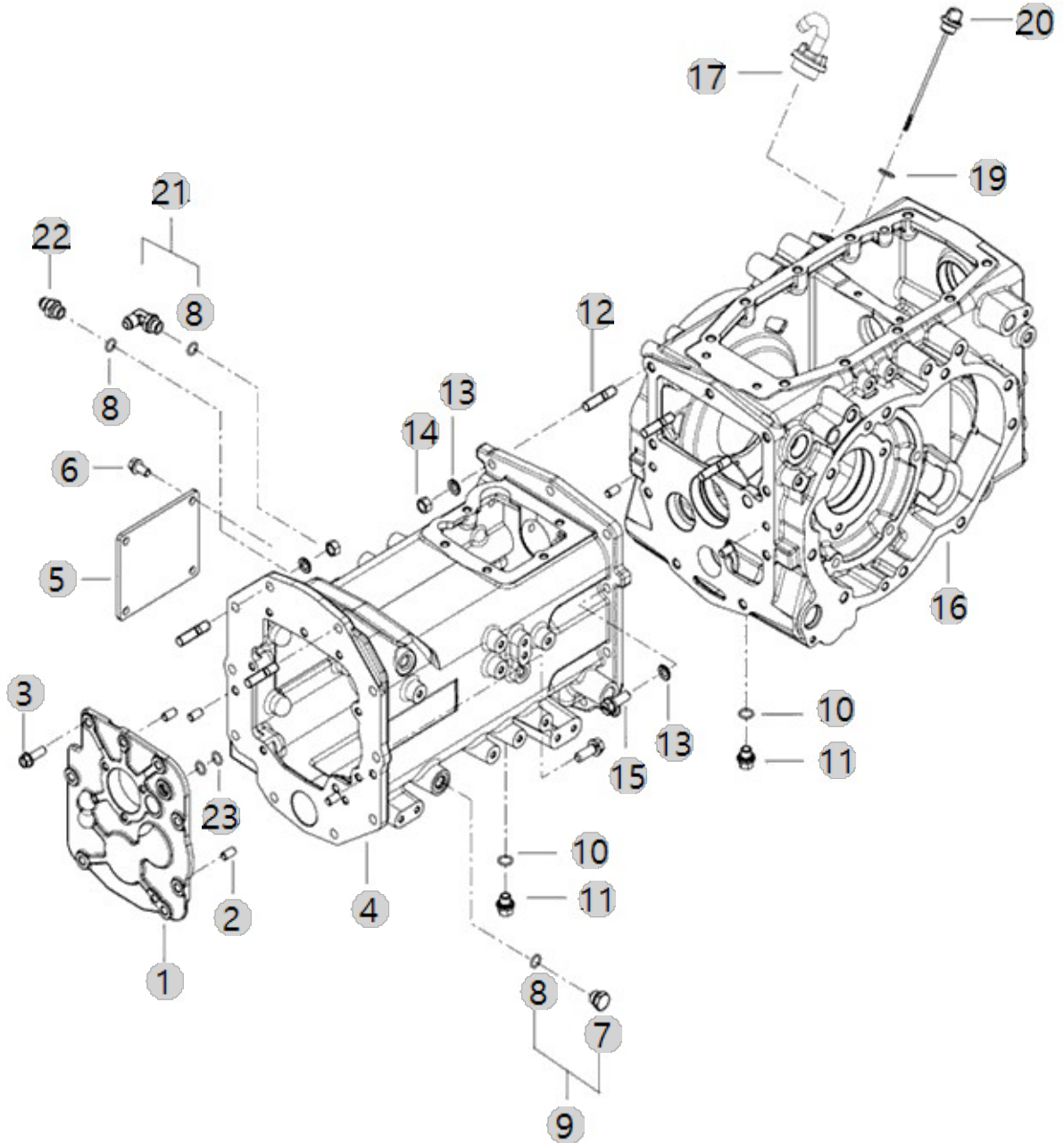
F01020

BRANSON 15R
TM_US_FL(AC01899)

(TRANSMISSION CASE)

Year/Month

2022-12-15



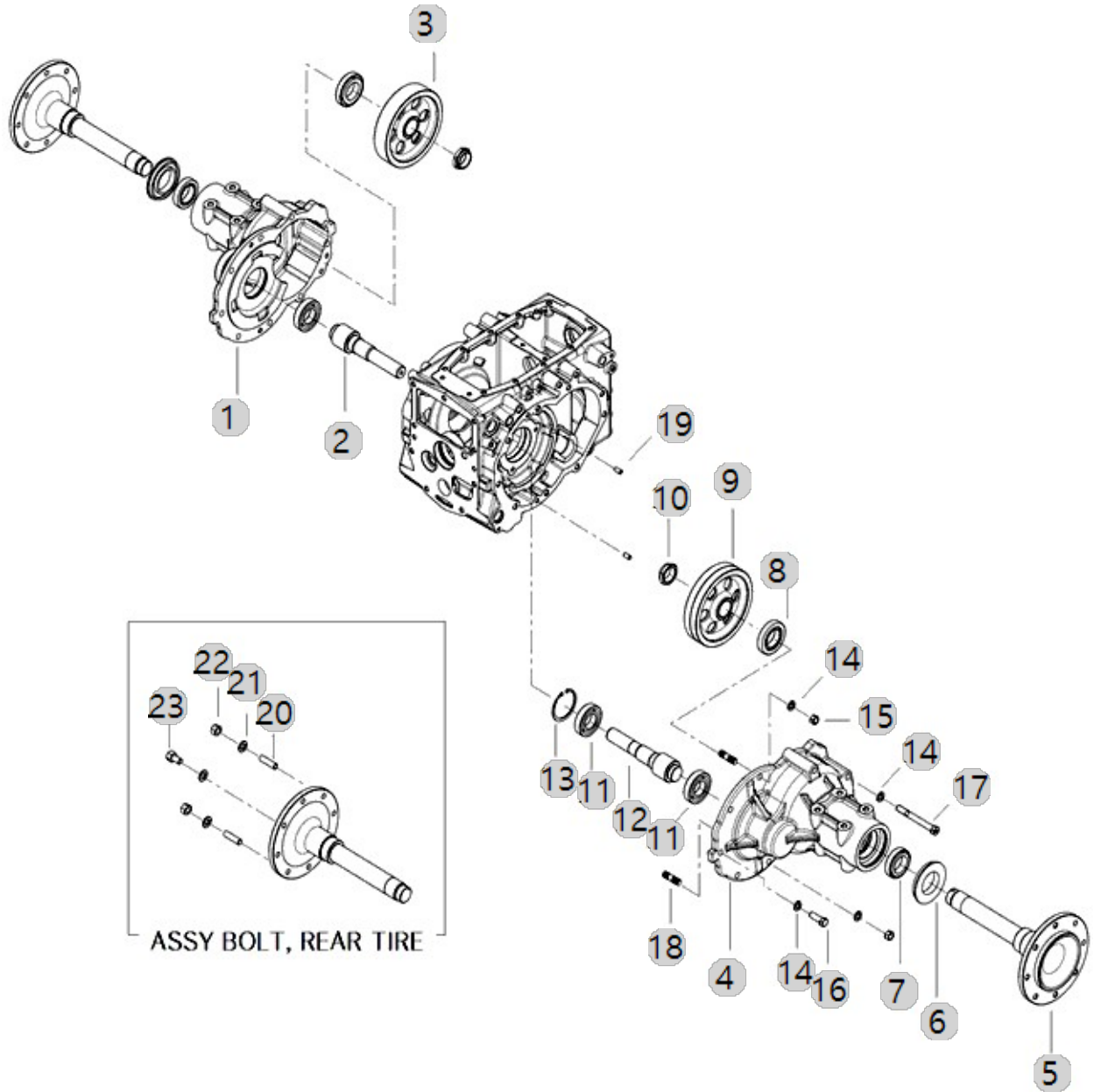
F01030

BRANSON 15R
TM_US_FL(AC01899)

(REAR AXLE HOUSING)

Year/Month

2022-12-15



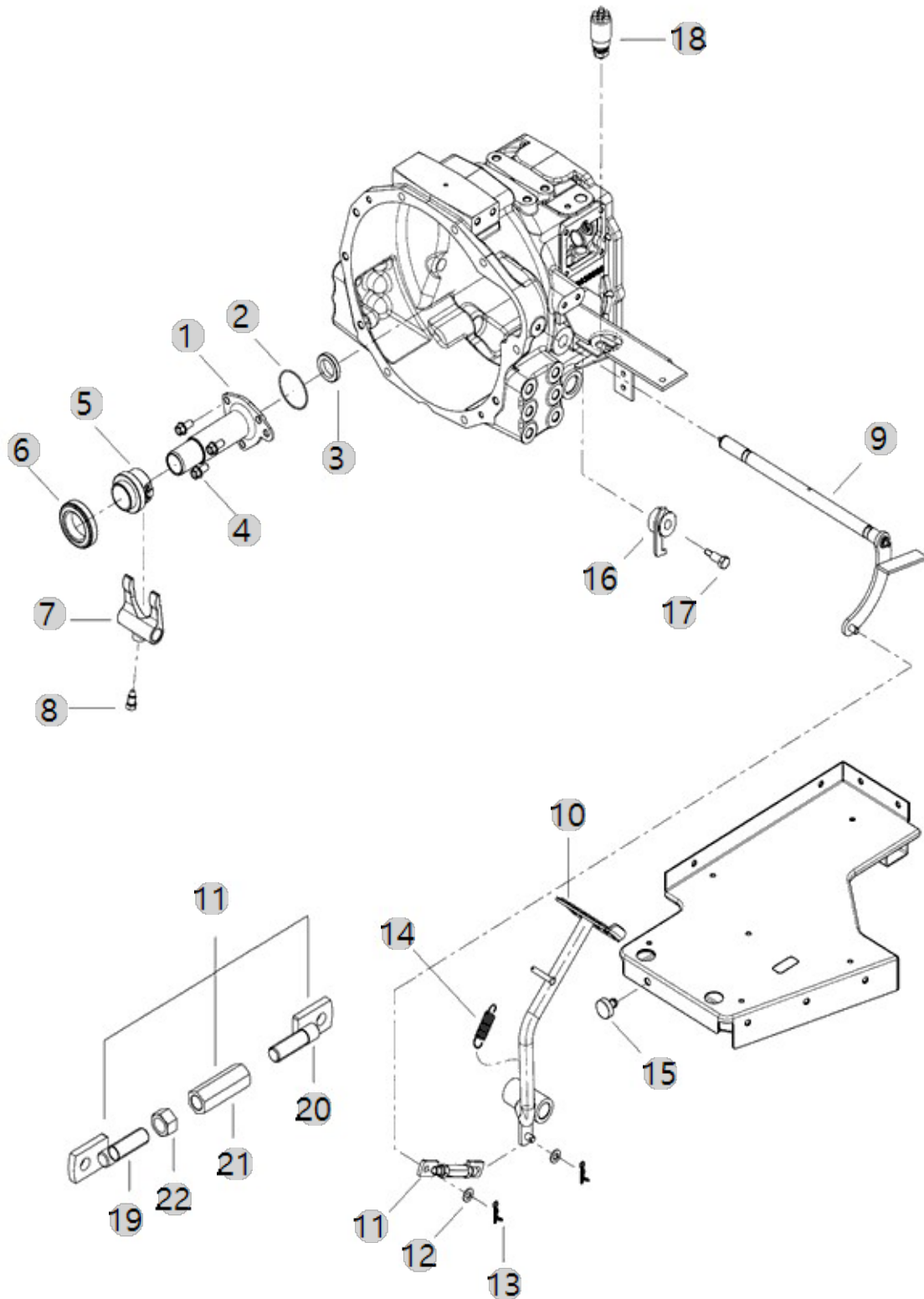
F02010

BRANSON 15R
TM_US_FL(AC01899)

(CLUTCH RELEASE)

Year/Month

2022-12-15



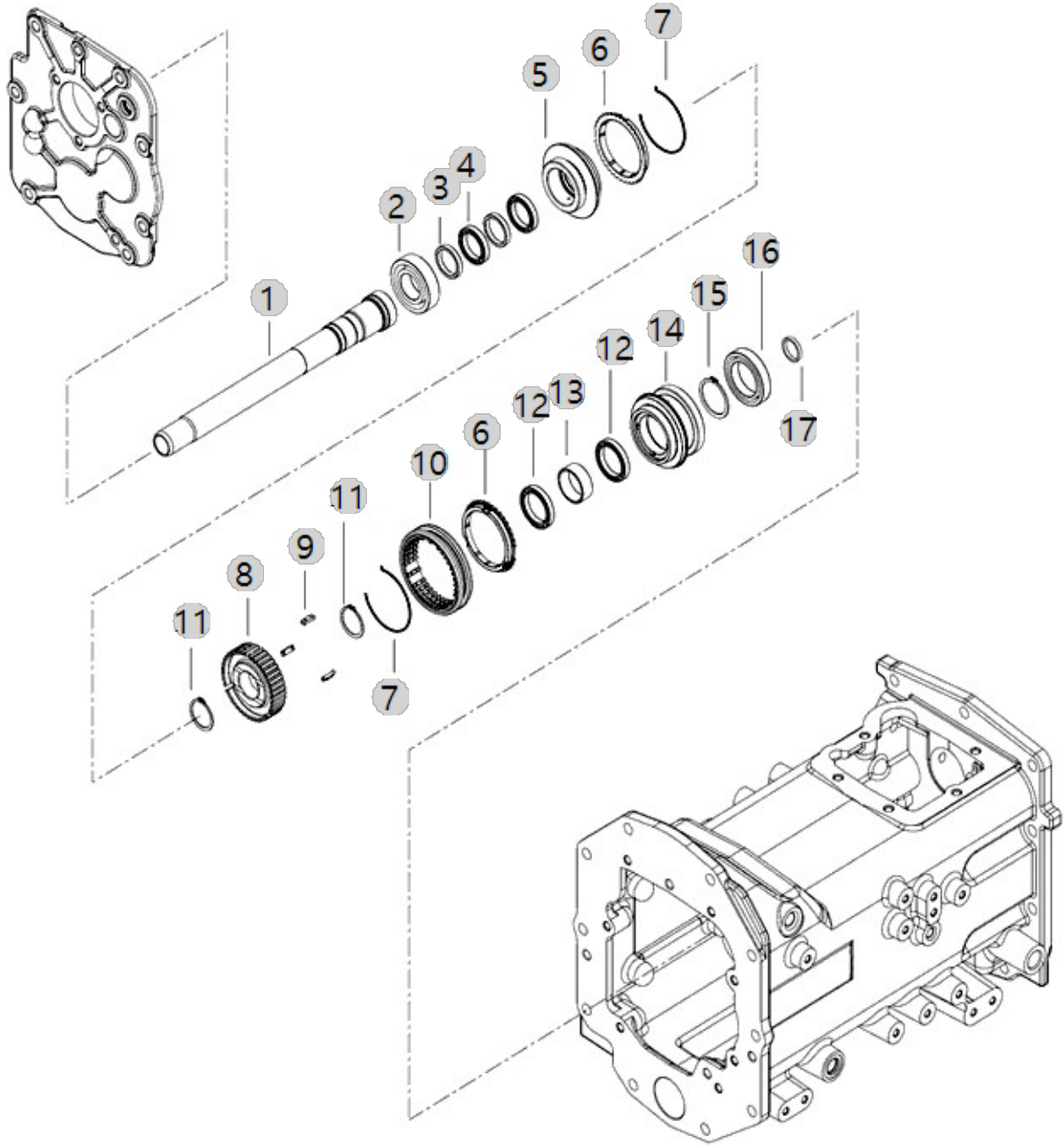
F02020

BRANSON 15R
TM_US_FL(AC01899)

(CLUTCH SHAFT)

Year/Month

2022-12-15



F02020 BRANSON 15R TM_US_FL(AC01899)	(CLUTCH SHAFT)	Year/Month
		2022-12-15

순번 (NO)	부품번호 (PART NO)	품명 (PART NAME)	품명 (PART NAME)	수량 (QTY)	규격 (SPEC)	비고 (REMARK)
1	TA00037644E	주축	SHAFT F/R DRV	1		
1	TA00037644F	주축	SHAFT F/R DRV	1		
1	TA00037644G	주축	SHAFT F/R DRV	1		
2	TA00059187A	볼베어링(6206)_OP	BALL BEARING	1		
3	TA00037645C	스페이서	SPACER	2		
4	TA00059188A	볼베어링(6806)	BALL BEARING	2		
5	TA00049482A	후진구동기어	REVERSE, DRIVE GEAR	1		
6	TA00038402A	싱크로나이저링	SYNCHRONIZER RING	2		
7	TA00038401A	스프링	SPRING	2		
8	TA00038417A	허브	HUB	1		
9	TA00038400A	키	KEY	3		
10	TA00038416A	슬리브	SLEEVE	1		
11	22242-000320	축용스냅링32	SNAP RING, SHAFT (Φ 32)	2	D32	
12	TA00059189A	볼베어링(6807)	BALL BEARING	2		
13	TA00037729B	스페이서	SPACER	1		
14	TA00049484A	전진구동기어	FORWARD, DRIVE GEAR	1		
15	22242-000400	축용스냅링40	SNAP RING, SHAFT (Φ 40)	1	D40	
16	TA00059190A	볼베어링(6908)	BALL BEARING	1		
17	24421-203007	오일실TC203007	OIL SEAL	1		

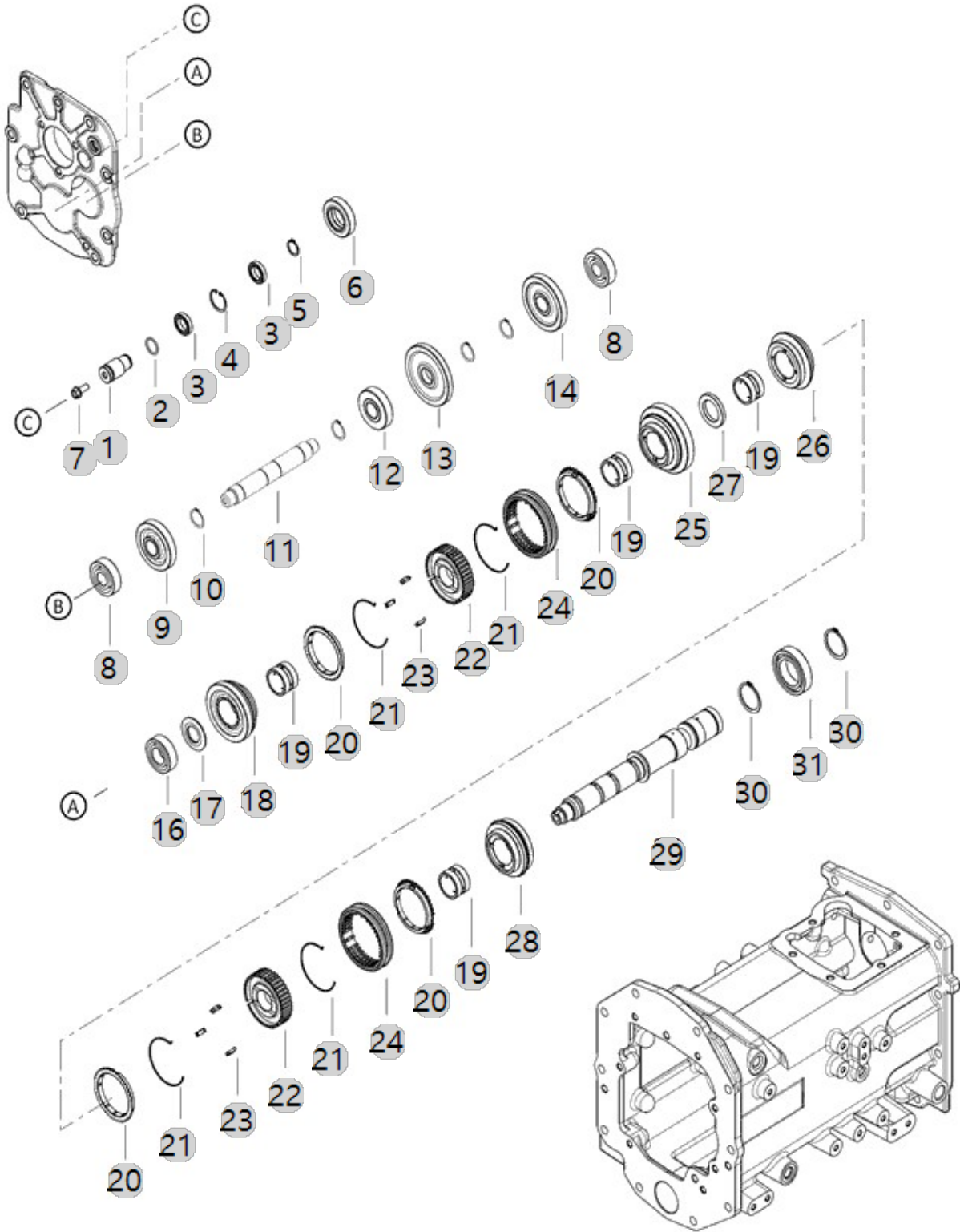
F03010

BRANSON 15R
TM_US_FL(AC01899)

(MAIN SHIFT DRIVE SHAFT)

Year/Month

2022-12-15



F03010 BRANSON 15R TM_US_FL(AC01899)	(MAIN SHIFT DRIVE SHAFT)	Year/Month
		2022-12-15

순번 (NO)	부품번호 (PART NO)	품명 (PART NAME)	품명 (PART NAME)	수량 (QTY)	규격 (SPEC)	비고 (REMARK)
1	TA00038271D	아이들축	SHAFT, IDLE	1		
2	24311-000210	361,A22,O-RING1AP-21.0	O-RING, DYNAMIC (Φ21)	1	P21	
3	TA00059191A	볼베어링(6804)	BALL BEARING	1		
4	22252-000320	구멍용스냅링32	RING, CIRCLIP (Φ 32)	1	D32	
5	22242-000200	축용스냅링20	SNAP RING, SHAFT (Φ 20)	1	D20(축용)	
6	TA00049483B	후진아이들기어	REVERSE, IDLE GEAR	1		
7	26106-100202	육각플랜지볼트	HEX BOLT, (10-20)	1	M10XP1.5X20	
8	TA00059192A	볼베어링(6304)_OP	BALL BEARING	2		
9	TA00049485A	주변속2단구동기어	MAIN, DRIVE GEAR 2 SPEED	1		
10	22242-000250	축용스냅링25	SNAP RING, SHAFT (Φ 25)	4	D25	
11	TA00037668E	주변속 구동축	SHAFT, MAIN SHIFT	1		
12	TA00049486B	주변속1단구동기어	MAIN SHIFT DRIVE GEAR, 1ST	1		
12	TA00049486A	주변속1단구동기어	MAIN, DRIVE GEAR 1 SPEED	1		
13	TA00049487A	주변속4단구동기어	MAIN, DRIVE GEAR 4 SPEED	1		
14	TA00049488A	주변속3단구동기어	MAIN, DRIVE GEAR 3 SPEED	1		
16	TA00059193A	볼베어링(6205)	BALL BEARING	1		
17	TA00038424B	스페이서	SPACER	1		
18	TA00049489A	주변속2단피동기어	MAIN, DRIVEN GEAR 2 SPEED	1		
19	TA00038425C	슬리브	SLEEVE	4		
20	TA00038402A	싱크로나이저링	SYNCHRONIZER RING	4		
21	TA00038401A	스프링	SPRING	4		
22	TA00038417A	허브	HUB	2		
23	TA00038400A	키	KEY	6		
24	TA00038416A	슬리브	SLEEVE	2		
25	TA00049490A	주변속1단피동기어	MAIN, DRIVEN GEAR 1 SPEED	1		
26	TA00049491A	주변속4단피동기어	MAIN, DRIVEN GEAR 4 SPEED	1		
27	TA00038280A	스페이서	SPACER	1		
28	TA00049492A	주변속3단피동기어	MAIN, DRIVEN GEAR 3 SPEED	1		
29	TA00049493A	주변속피동축	SHAFT-M/SHIFT	1		
30	22242-000400	축용스냅링40	SNAP RING, SHAFT (Φ 40)	2	D40	
31	TA00059194A	볼베어링(6008)	BALL BEARING	1		

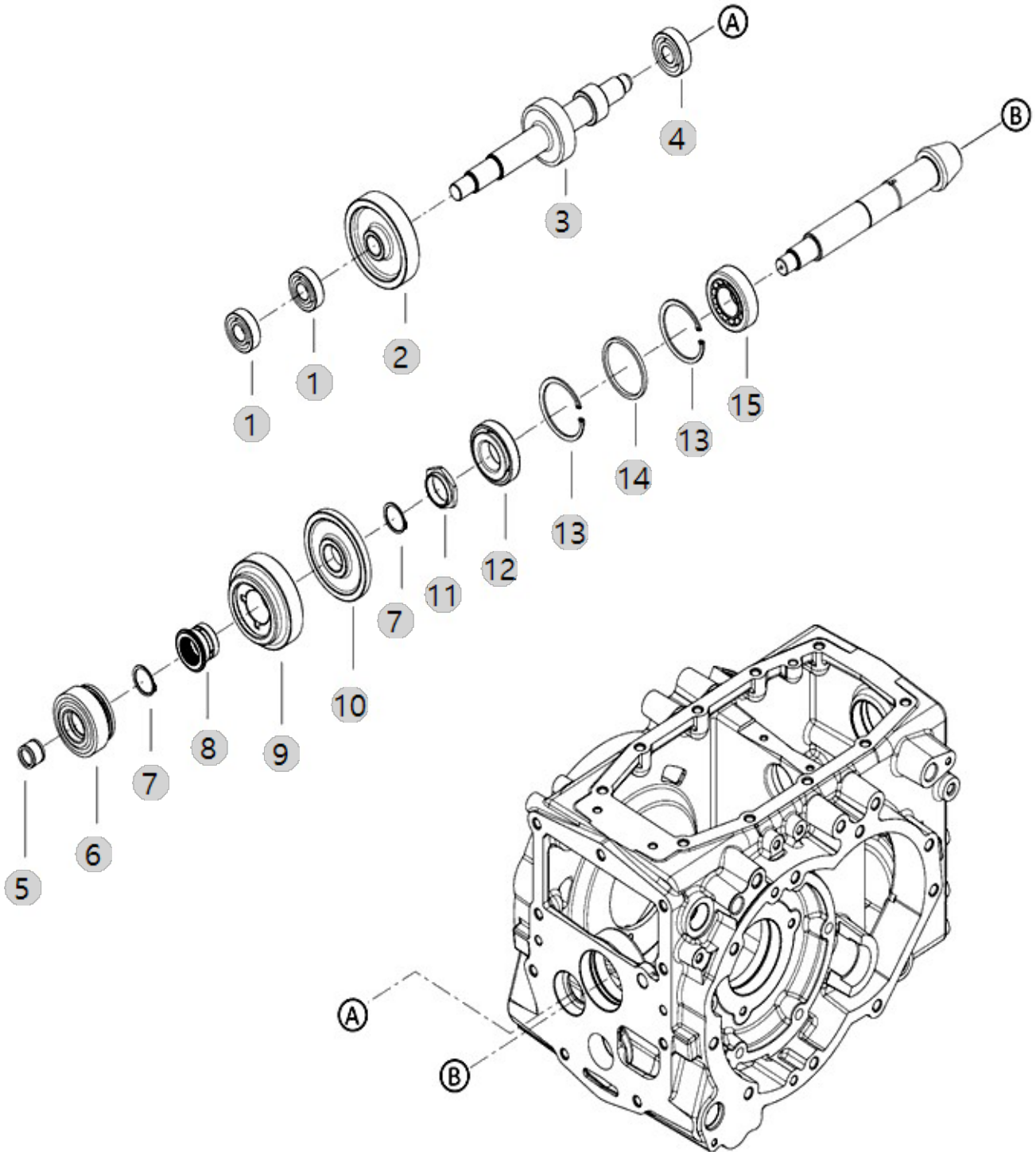
F03040

BRANSON 15R
TM_US_FL(AC01899)

(RANGE SHIFT DRIVE SHAFT)

Year/Month

2022-12-15



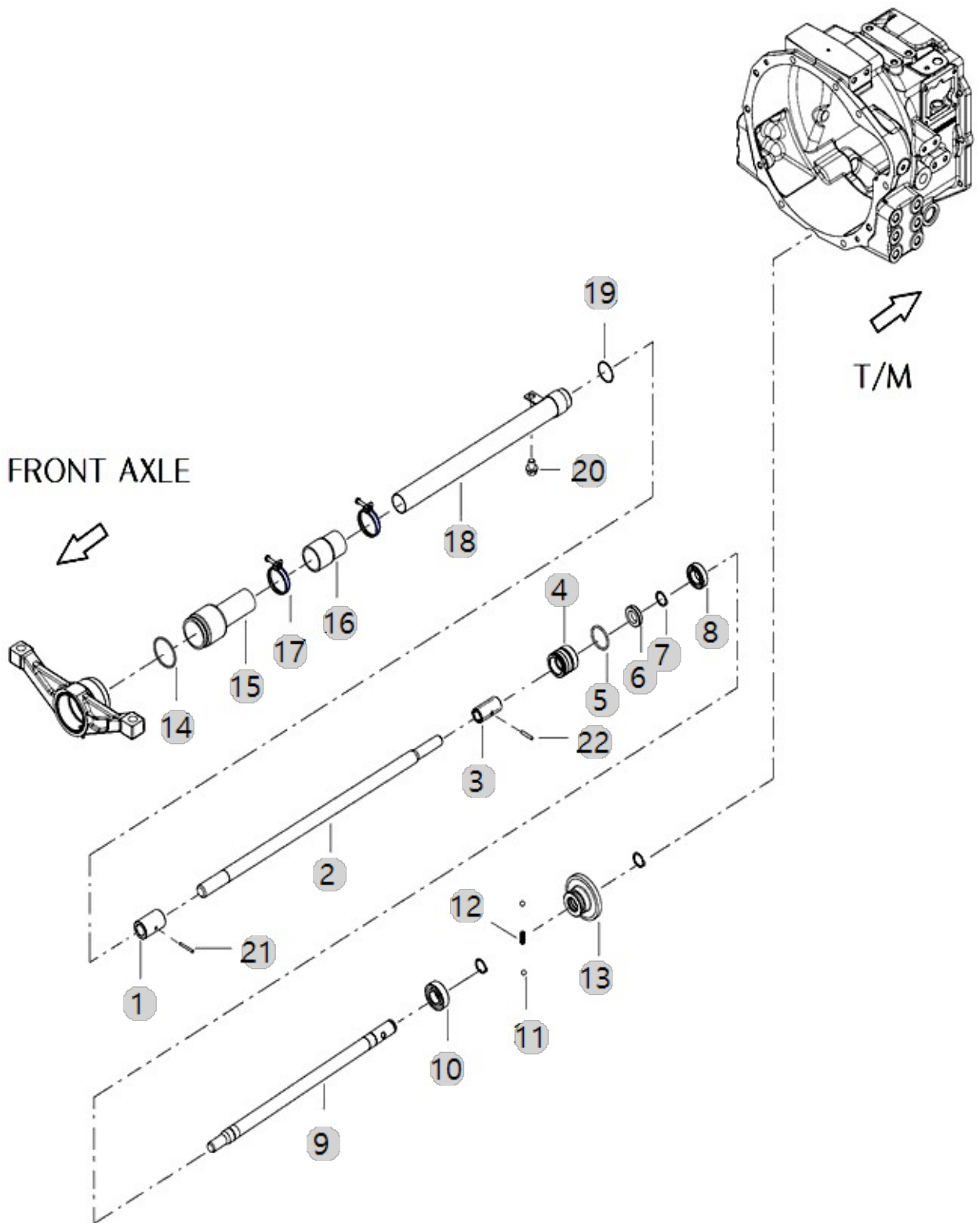
F04010

BRANSON 15R
TM_US_FL(AC01899)

(FRONT DRIVE SHAFT)

Year/Month

2022-12-15



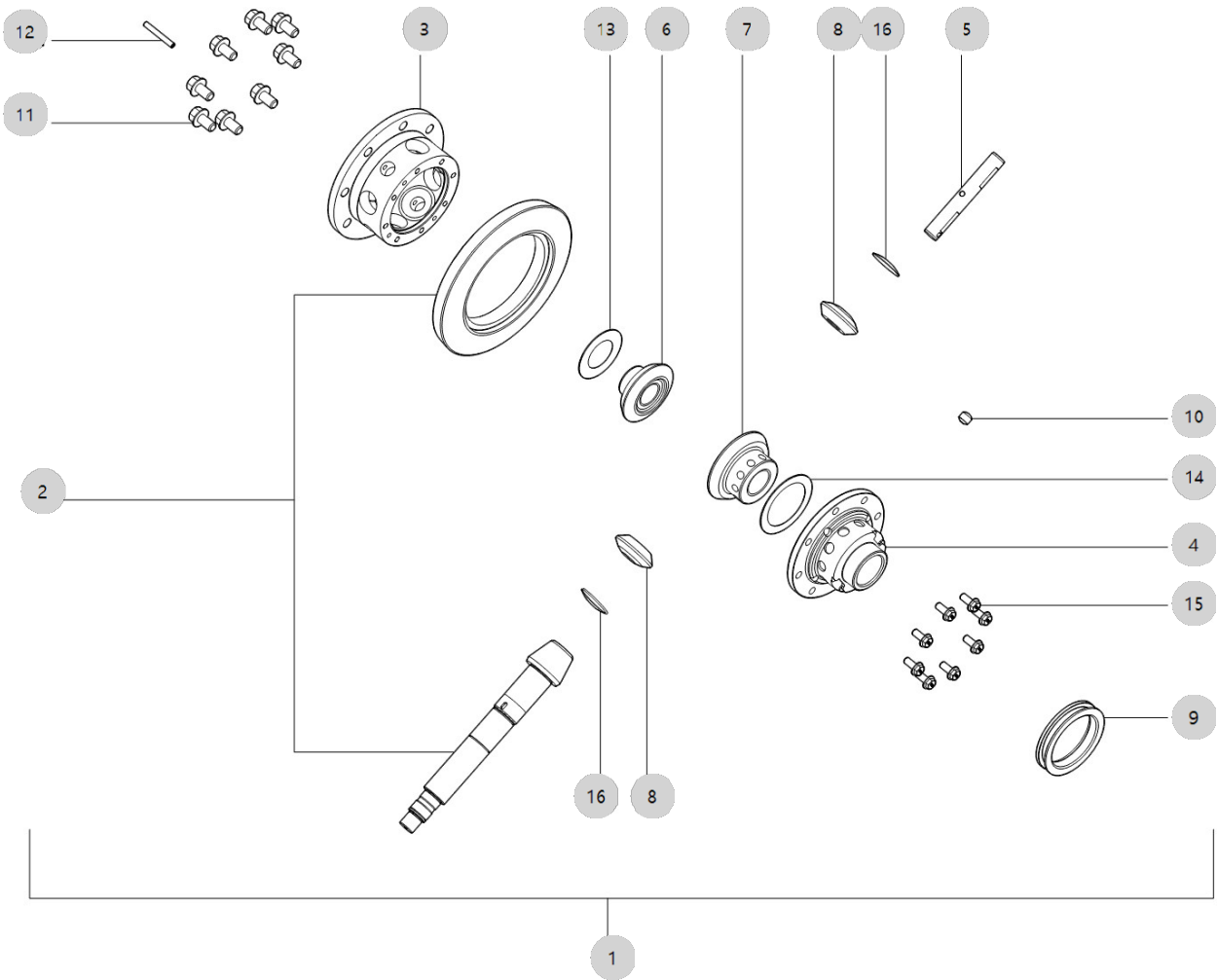
F05020

BRANSON 15R
TM_US_FL(AC01899)

RING GEAR&DIFF.GEAR ASS'Y

Year/Month

2022-12-15



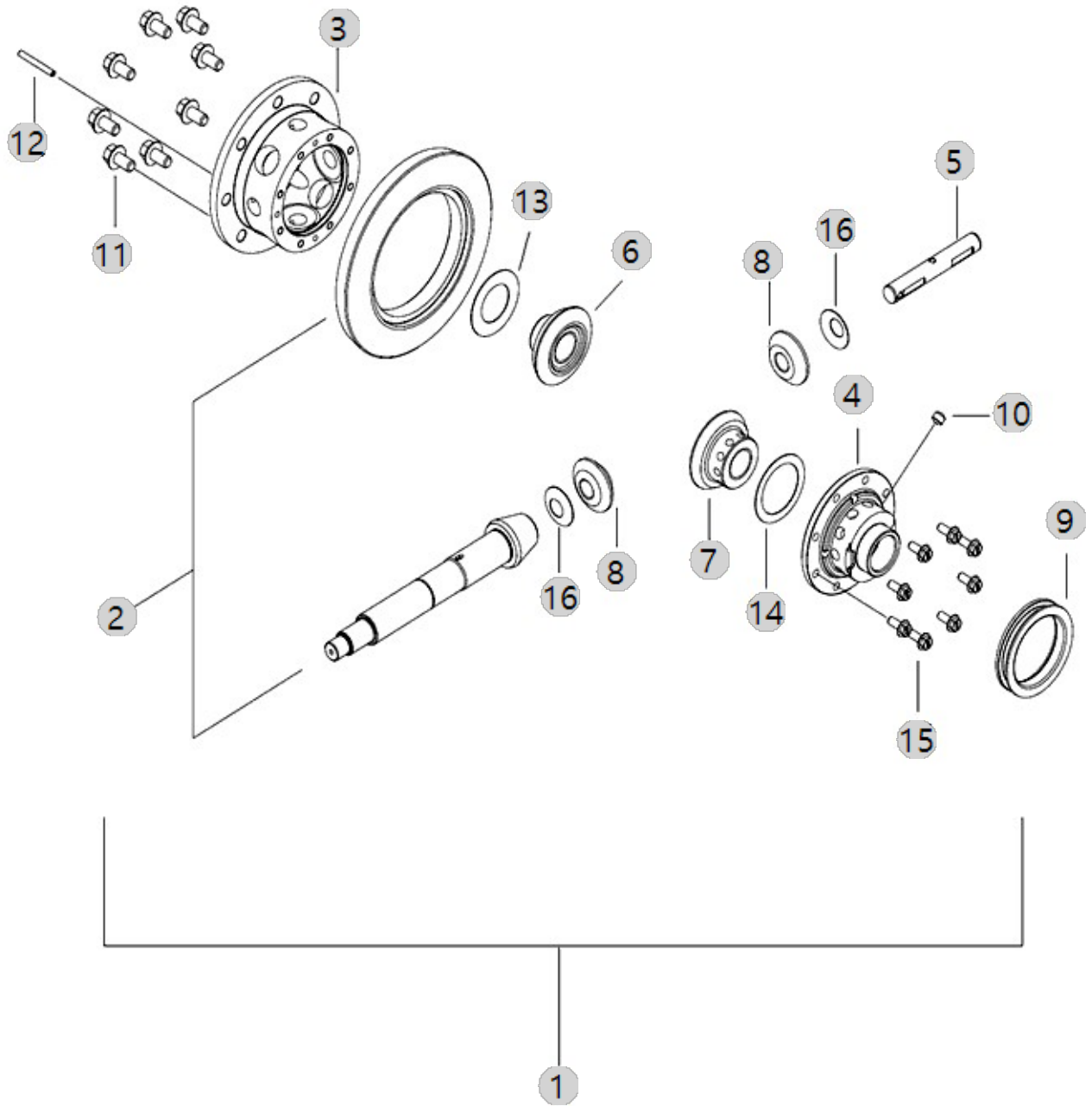
F05020

BRANSON 15R
TM_US_FL(AC01899)

(REAR DIFFERENTIAL ASS'Y)

Year/Month

2022-12-15



F05020 BRANSON 15R TM_US_FL(AC01899)	(REAR DIFFERENTIAL ASS'Y)	Year/Month
		2022-12-15

순번 (NO)	부품번호 (PART NO)	품명 (PART NAME)	품명 (PART NAME)	수량 (QTY)	규격 (SPEC)	비고 (REMARK)
1	TA00038522D	차동장치조합	DIFFERENTIAL ASSY	1		
1	TA00038522E	차동장치조합	DIFFERENTIAL ASS'Y	1		
2	TA00038772D	링기어조합	RING GEAR ASSY	1		
3	TA00038523A	차동케이스(우)	CASE R, DIFF	1		
3	TA00038523B	차동케이스(우)	CASE R, DIFF	1		
4	TA00032118A	차동케이스(좌)	CASE LH, DIFF.	1		
4	TA00032118B	차동케이스(좌)	CASE LH, DIFF.	1		
5	TA00032091A	차동축(1)	SHAFT, DIFFERENTIAL	1		
6	TA00032090A	차동사이드기어R	SIDE GEAR R, DIFFERENTIAL	1		
7	TA00032089A	차동사이드기어L	SIDE GEAR L, DIFFERENTIAL	1		
8	TA00032079A	차동피니언	PINION	2		
9	TA00038510A	차동고정슬라이더	SLIDER	1		
10	TA00038507A	롤러	ROLLER	10		
11	TA00038929A	볼트(M12X1.25)	BOLT	8		
12	22351-060050	스프링핀	PIN, SPRING (6-50)	1	D6X50	
13	TA00032148A	스러스트 와셔	THRUST WASHER	1		
14	TA00032149A	와셔	WASHER	1		
15	TA00038928A	볼트(M8X1.25)	BOLT	8		
16	TA00032092A	트러스트 와셔	BRACKET	2		

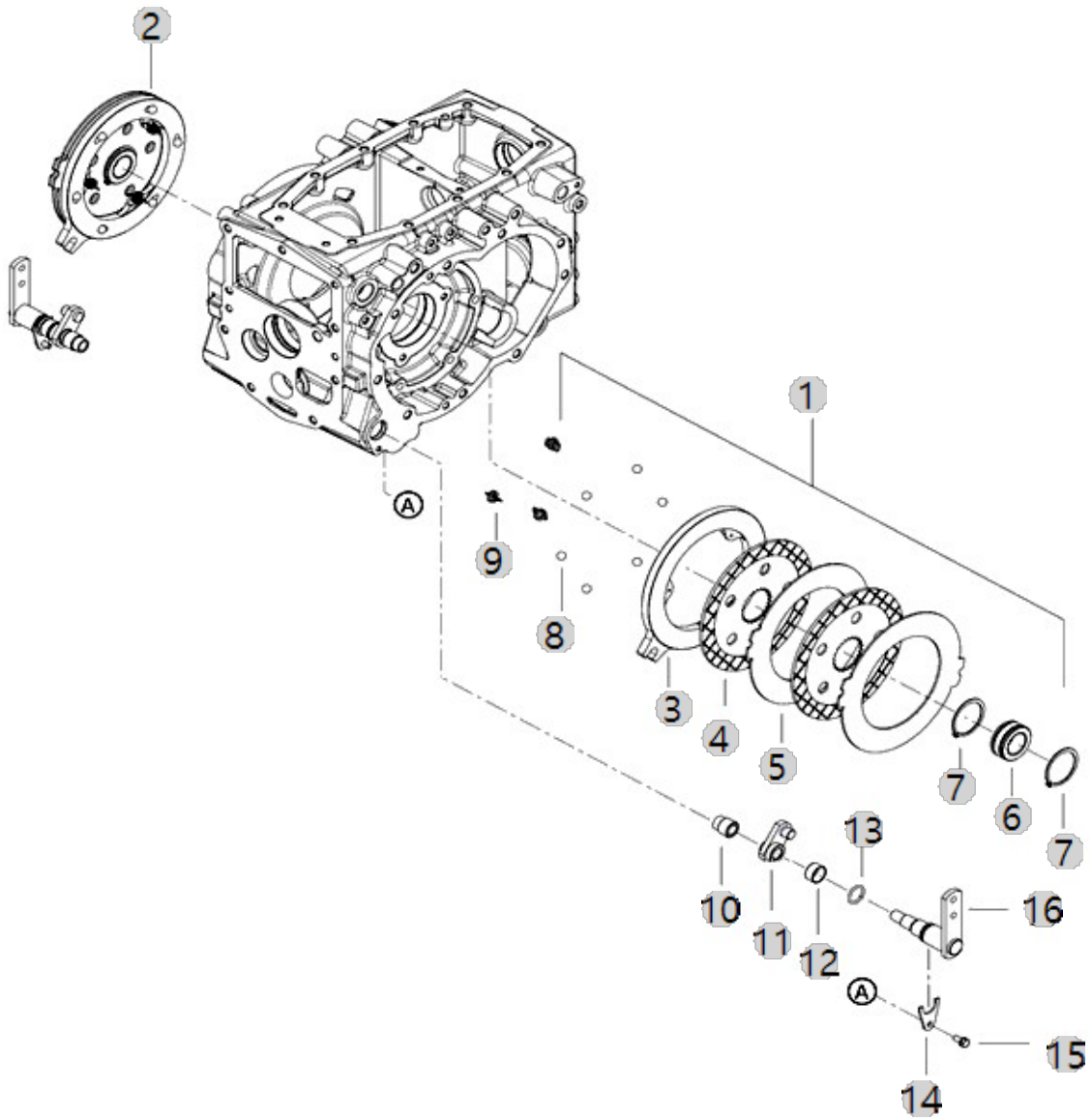
F06030

BRANSON 15R
TM_US_FL(AC01899)

(BRAKE)

Year/Month

2022-12-15



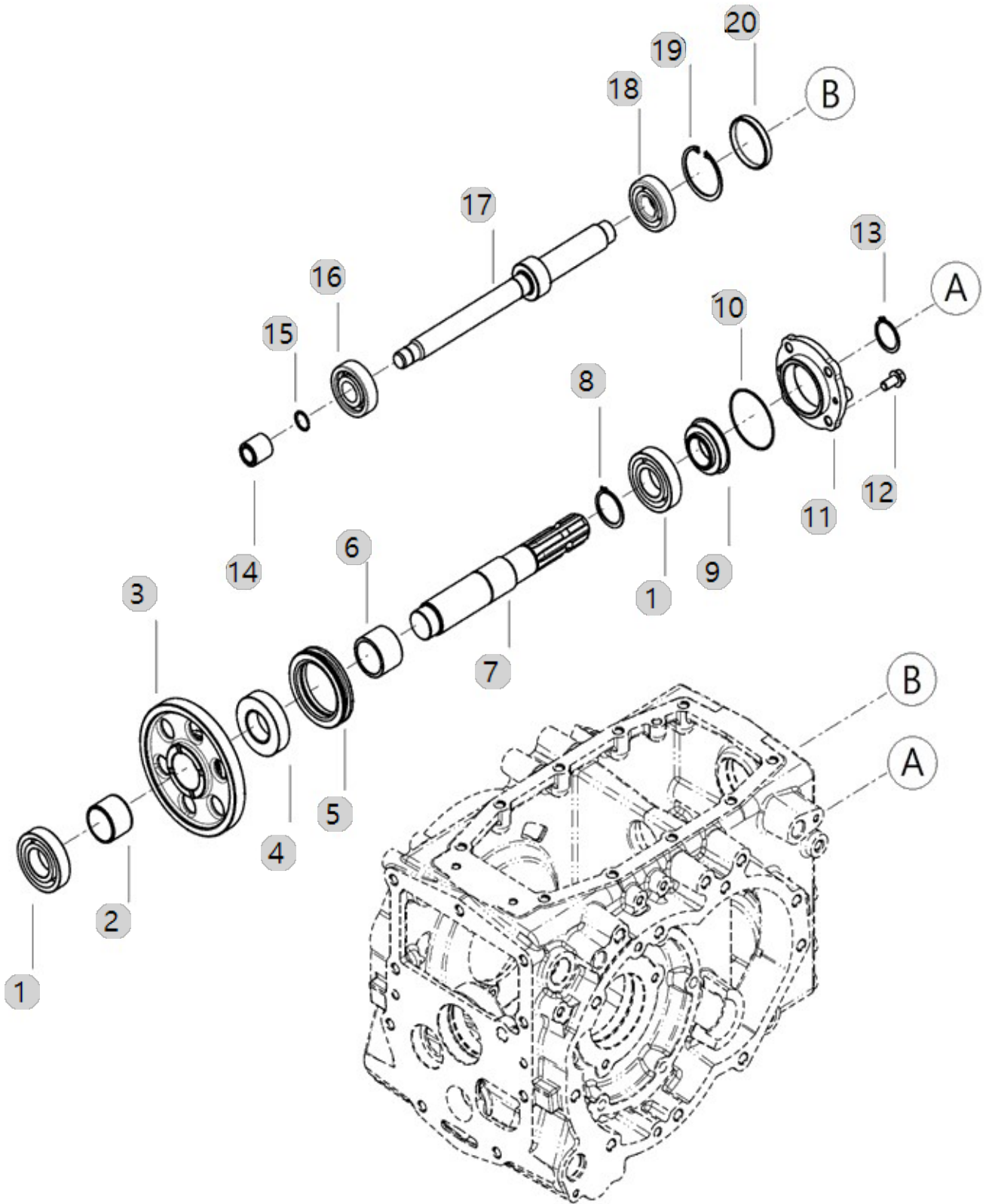
F07030

BRANSON 15R
TM_US_FL(AC01899)

(PTO DRIVE SHAFT)

Year/Month

2022-12-15



F07070

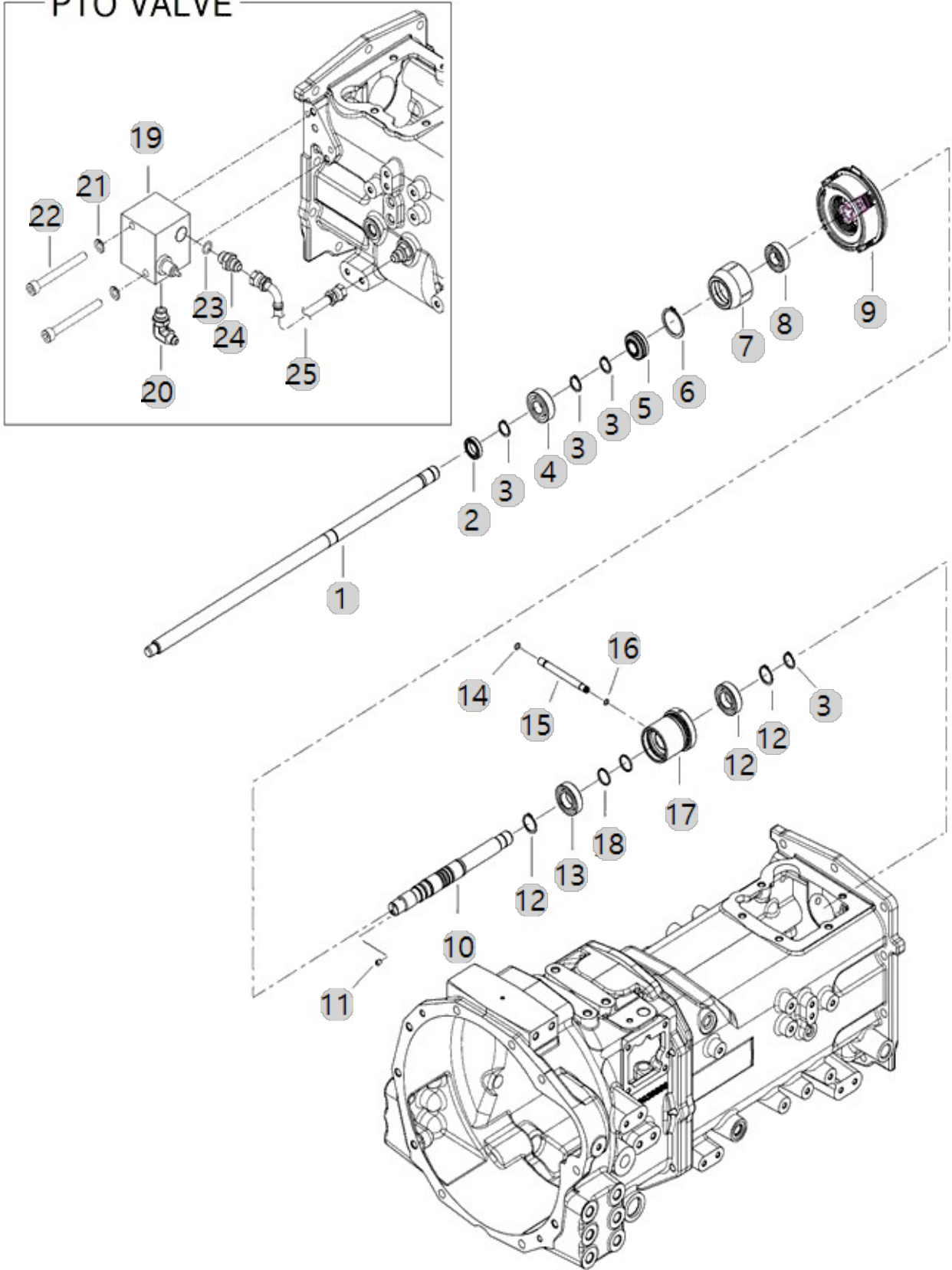
BRANSON 15R
TM_US_FL(AC01899)

(MAIN P.T.O SHAFT)

Year/Month

2022-12-15

PTO VALVE



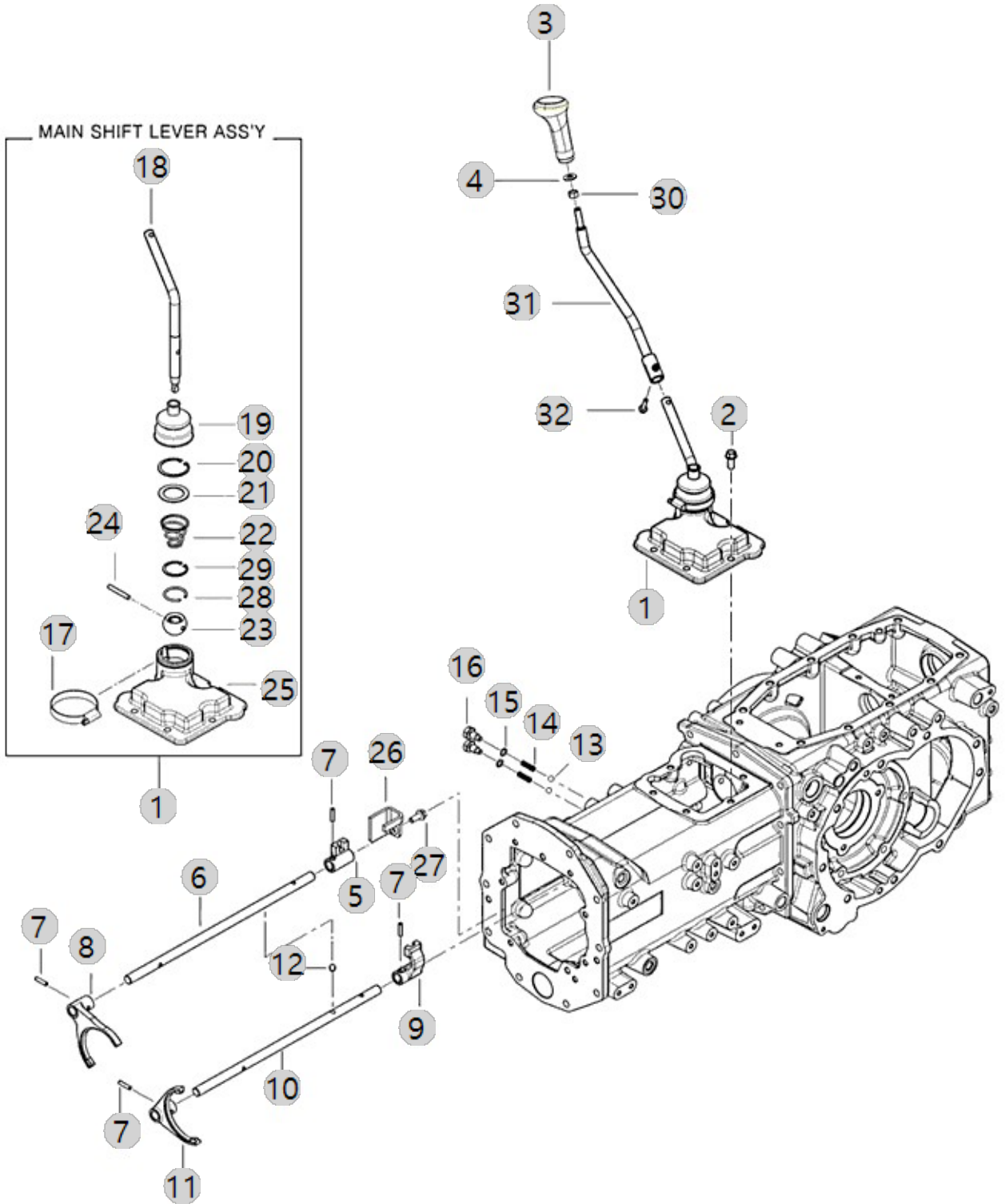
F08021

BRANSON 15R
TM_US_FL(AC01899)

(FORK, PTO SHIFT)

Year/Month

2022-12-15



F08021 BRANSON 15R TM_US_FL(AC01899)		(FORK, PTO SHIFT)				Year/Month 2022-12-15
순번 (NO)	부품번호 (PART NO)	품명 (PART NAME)	품명 (PART NAME)	수량 (QTY)	규격 (SPEC)	비고 (REMARK)
1	TA00054414C	주변속 레버 조합(K3C)	MAIN SHIFT LEVER ASSY	1		
2	26106-100202	육각플랜지볼트	HEX BOLT, (10-20)	5	M10XP1.5X20	
3	TA00064855A	그립(주변속)	GRIP, MAIN SHIFT	1		
4	22137-100000	평와셔 10	WASHER, PLAIN (Φ 10)	1	M10	
5	TA00038581B	주변속시프터(1-2)	MAIN SHIFT(1-2)	1		
6	TA00038579C	주변속 포크축(1-2)	SHAFT, MAIN SHIFT(1-2)	1		
7	22351-060025	SPRINGPIN6X25	PIN, SPRING (6-25)	4	D6X25	
8	TA00038716A	주변속 포크(1-2)	FORK(1ST-2ND),MAIN SHIFT	1		
9	TA00038595B	주변속 시프터	MAIN SHIFTER	1		
10	TA00038580C	주변속 포크축(3-4)	FORK SHAFT, MAIN SHIFT(3-4)	1		
11	TA00038730A	주변속포크(3-4)	FORK(3RD-4TH),MAIN SHIFT	1		
12	TA00038594A	핀	PIN	1		
13	24190-110001	강구11/32	Ball, Steel (11/32)	2	11/32	
14	TA00038502A	스프링	SPRING	2		
15	24311-240100	O-링(P형)	SEAL, O-RING	2	P10	
16	TA00038540A	볼트	BOLT, RAIL	2		
17	23000-070000	351,A22,호스클램프70	CLAMP,HOSE	1	D70	
18	TA00057985A	주변속레버(하)	LEVER(LOWER), MAIN SHIFT	1		
19	TA00017457A	변속레버부츠	BOOTS	1		
20	22252-000500	구멍용스냅링 50	RING, CIRCLIP (Φ 50)	1	D50	
21	TA00038639B	스페이서	SPACER	1		
22	TA00038649A	스프링	SPRING	1		
23	FGG3140000C	시프터볼	BALL	1		
24	FGG3150000B	핀	PIN	1		
25	TA00038655D	주변속 케이스	MAIN SHIFT CASE	1		
26	TA00051011B	주변속 시프터 홀더	HOLDER, MAIN SHIFTER	1		
27	26106-080252	육각플랜지볼트	SCREW,HEXFLANGEHEADCAP	1	M8XP1.25X25	
28	TA00001246A	환형스냅링	WIRE SNAP RING	1	D3.2	
29	22252-000400	서어클립40	RING, CIRCLIP (Φ 40)	1	D40	
30	26737-100002	소형육각너트(세목)	Nut, Hexa (Φ10)	1	M10X1.25	
31	TA00069216A	주변속레버조합	MAIN SHIFT LEVER ASSY	1		
32	26106-060302	육각플랜지볼트	Bolt, Hexa (6-30)	1	M6XP1.0X30	

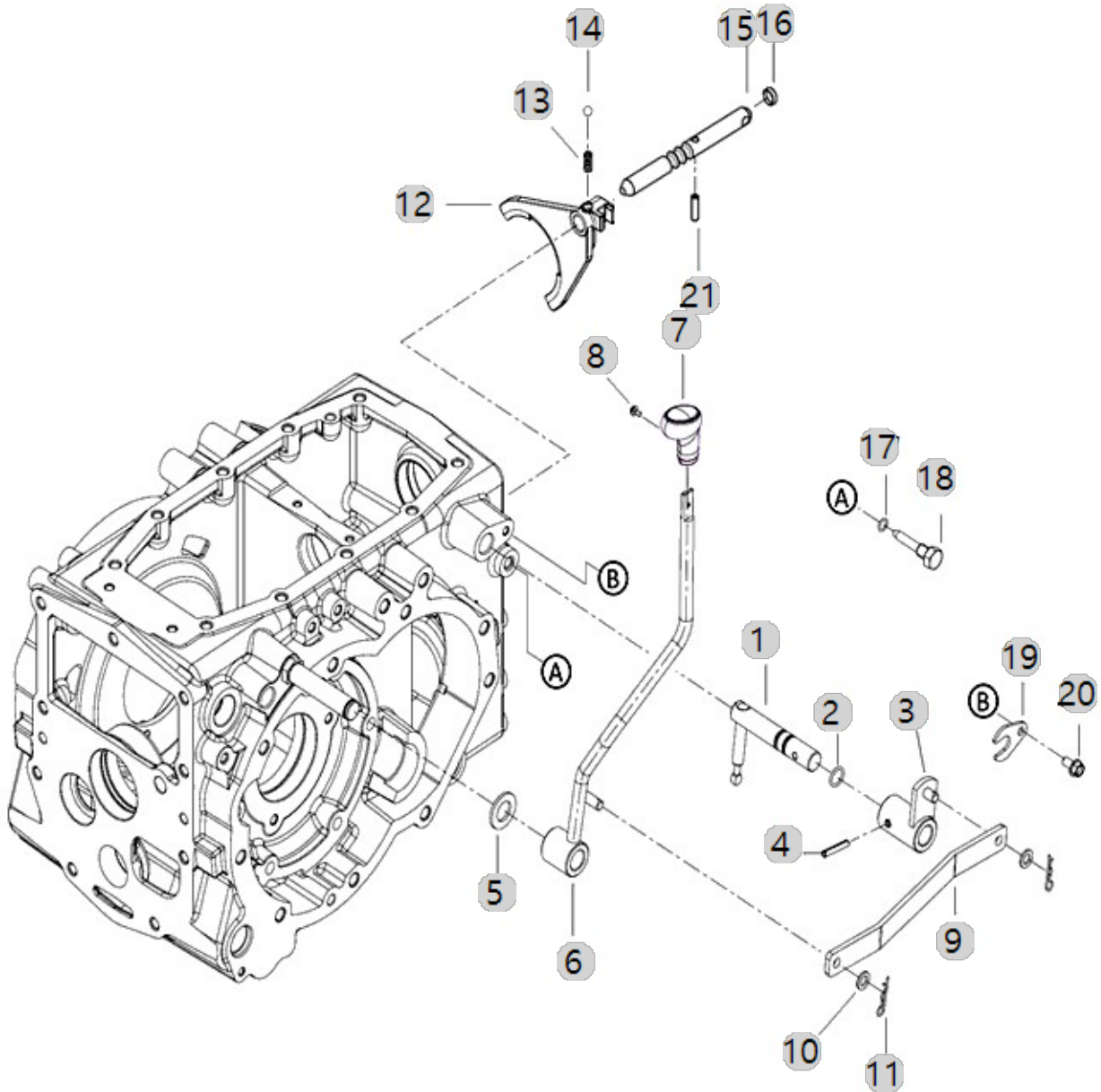
F08060

BRANSON 15R
TM_US_FL(AC01899)

(FORK, MAIN SHIFT)

Year/Month

2022-12-15



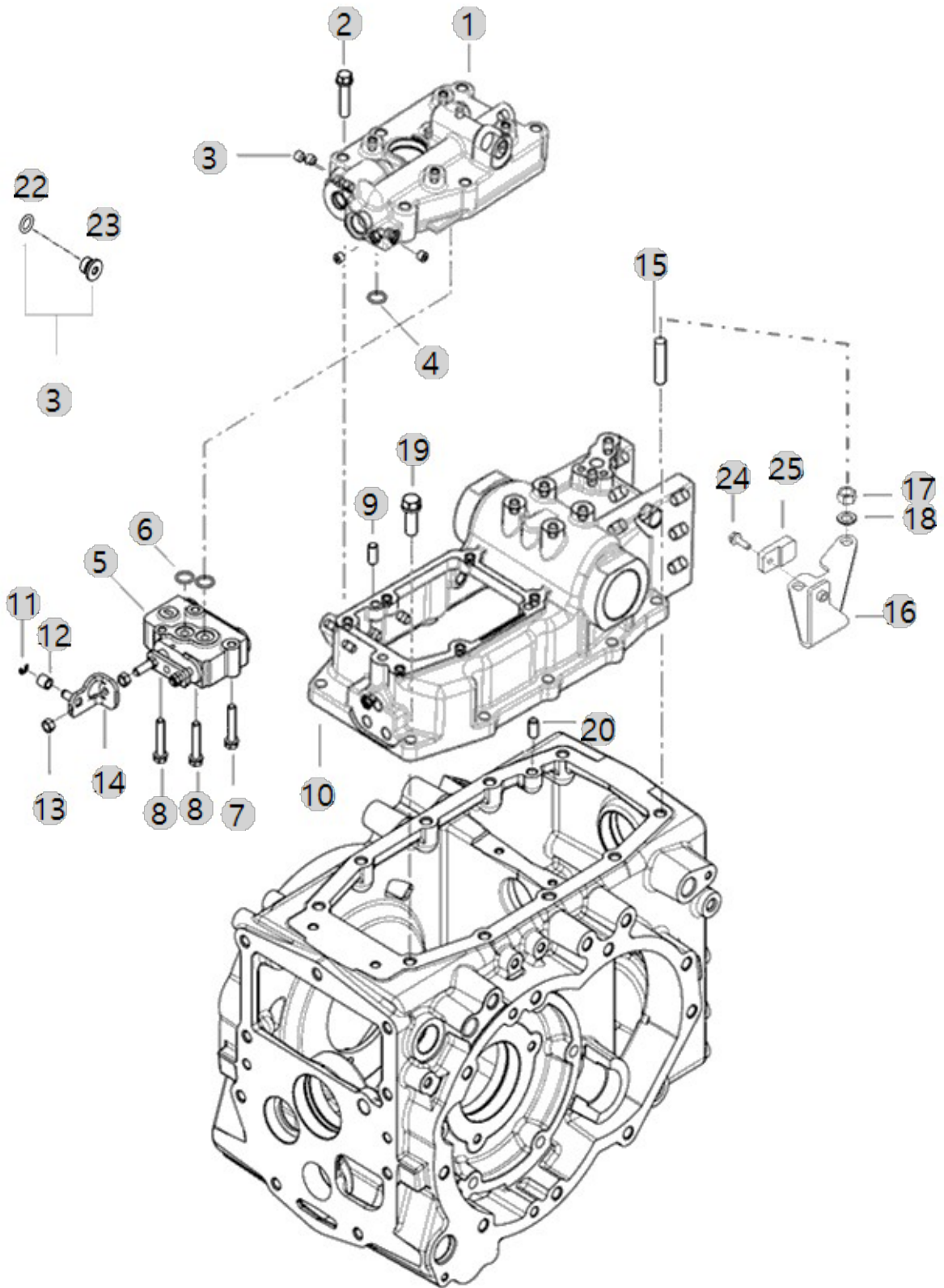
F10010

BRANSON 15R
TM_US_FL(AC01899)

(CASE, HYD CYLINDER)

Year/Month

2022-12-15



F10010 BRANSON 15R TM_US_FL(AC01899)	(CASE, HYD CYLINDER)	Year/Month
		2022-12-15

순번 (NO)	부품번호 (PART NO)	품명 (PART NAME)	품명 (PART NAME)	수량 (QTY)	규격 (SPEC)	비고 (REMARK)
1	TA00033096H	유압실린더 커버	COVER, HYD CYLINDER	1		
2	26013-100452	와셔조립육각볼트	HEX BOLT W/WASHER	6	M10X1.5X45	
3	TA00045690A	플러그조합	PLUG ASS'Y	5		
4	24311-000120	O-링 495-12	O-RING, DYNAMIC (Φ12)	1	P12	
5	TA00033098C	승하강밸브	VALVE, CONTROL	1		
6	24315-000160	운동용O링	O-RING	2		
7	26043-080402	와셔조립육각볼트	WASHER_SET	1		
8	26043-080452	SUB TO 26013-080452	SUB TO 26013-080452	2		
9	22312-100200	평행핀	PIN, DOWEL (10-20)	2	D10X20	
10	TA00033085J	유압실린더케이스	HYD CYLINDER CASE	1		
11	22272-000060	SNAP RING	RING, CIRCLIP (Φ 06)	1	D6	
12	TA00033126A	롤러	ROLLER	1		
13	26711-080002	육각너트	NUT	2	M8XP1.25	
14	TA00060775A	클레비스	CLEVIS	1		
15	26216-120352	심음보울트	STEELBOLT	5	M12X1.75	
16	TA00060049A	스위치브래킷	BRACKET ASSY	1		
16	TA00060049B	스위치브래킷	SWITCH BRACKET	1		
17	22217-120000	스프링와셔	WASHER, SPRING (Φ 12)	5	M12	
18	26716-120002	295,ALL,육각너트	HEXA NUT295	5	M12X1.75	
19	26013-120352	와셔조립육각볼트(+SW)	SCREW,CAPTIVEWASHERCAP	5	M12XP1.75X0	
20	22312-100180	평행핀	PIN, DOWEL (10-18)	1	D10X18	
21	TA00019614A	에어브리더	CAP	1		
22	24311-000080	O-링 495-8	O-RING, DYNAMIC (Φ8)	5	P8	
23	TA00045685A	플러그	PLUG	5		
24	26106-060202	육각플랜지볼트(6*20)	HEXFLANGEBOLT	1	M6X1.0X20	
25	HA00001435A	리프트센서(무접점)조합	LIFT SENSOR	1		

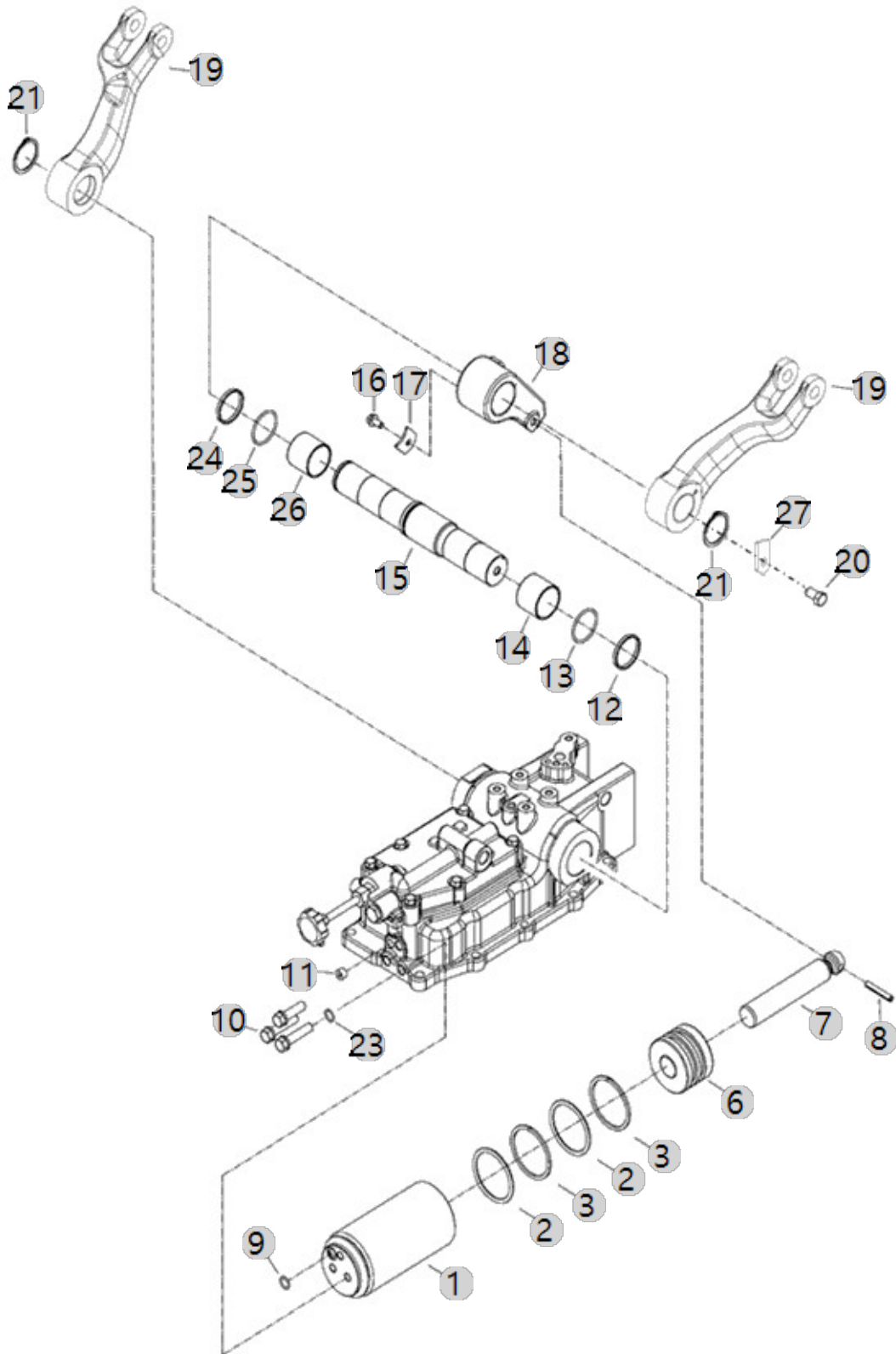
F10020

BRANSON 15R
TM_US_FL(AC01899)

(LIFT ARM)

Year/Month

2022-12-15



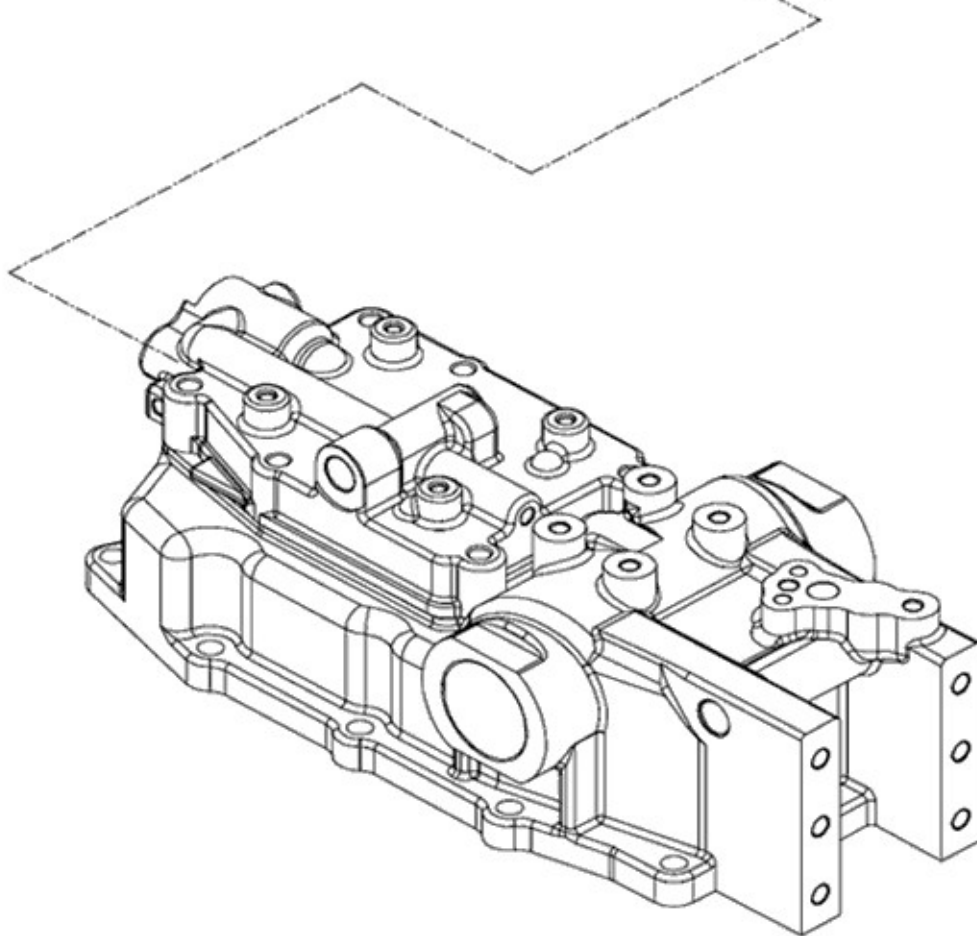
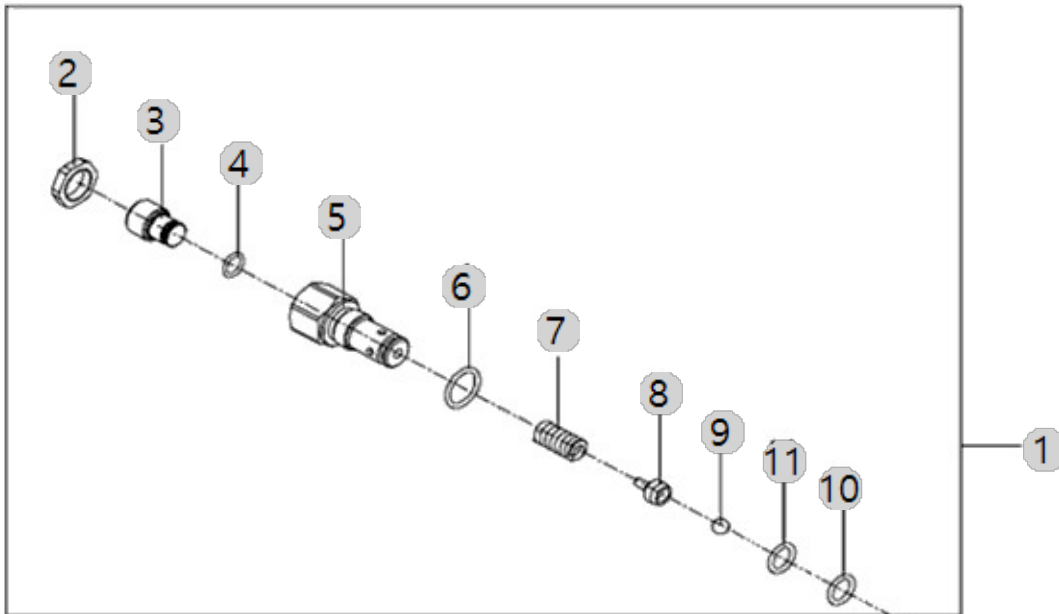
F10030

BRANSON 15R
TM_US_FL(AC01899)

(SAFETY VALVE)

Year/Month

2022-12-15



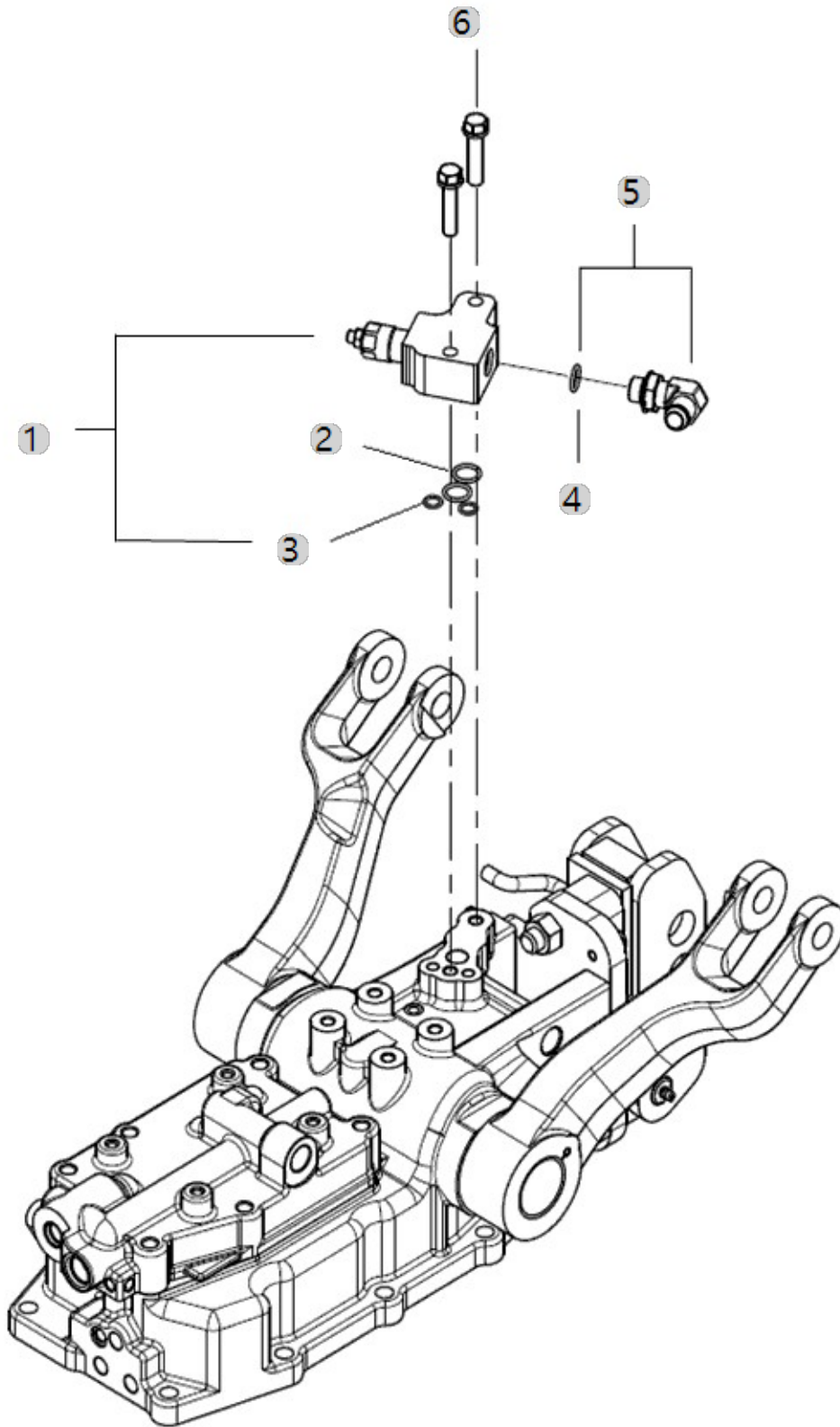
F10031

BRANSON 15R
TM_US_FL(AC01899)

(RELIEF)

Year/Month

2022-12-15



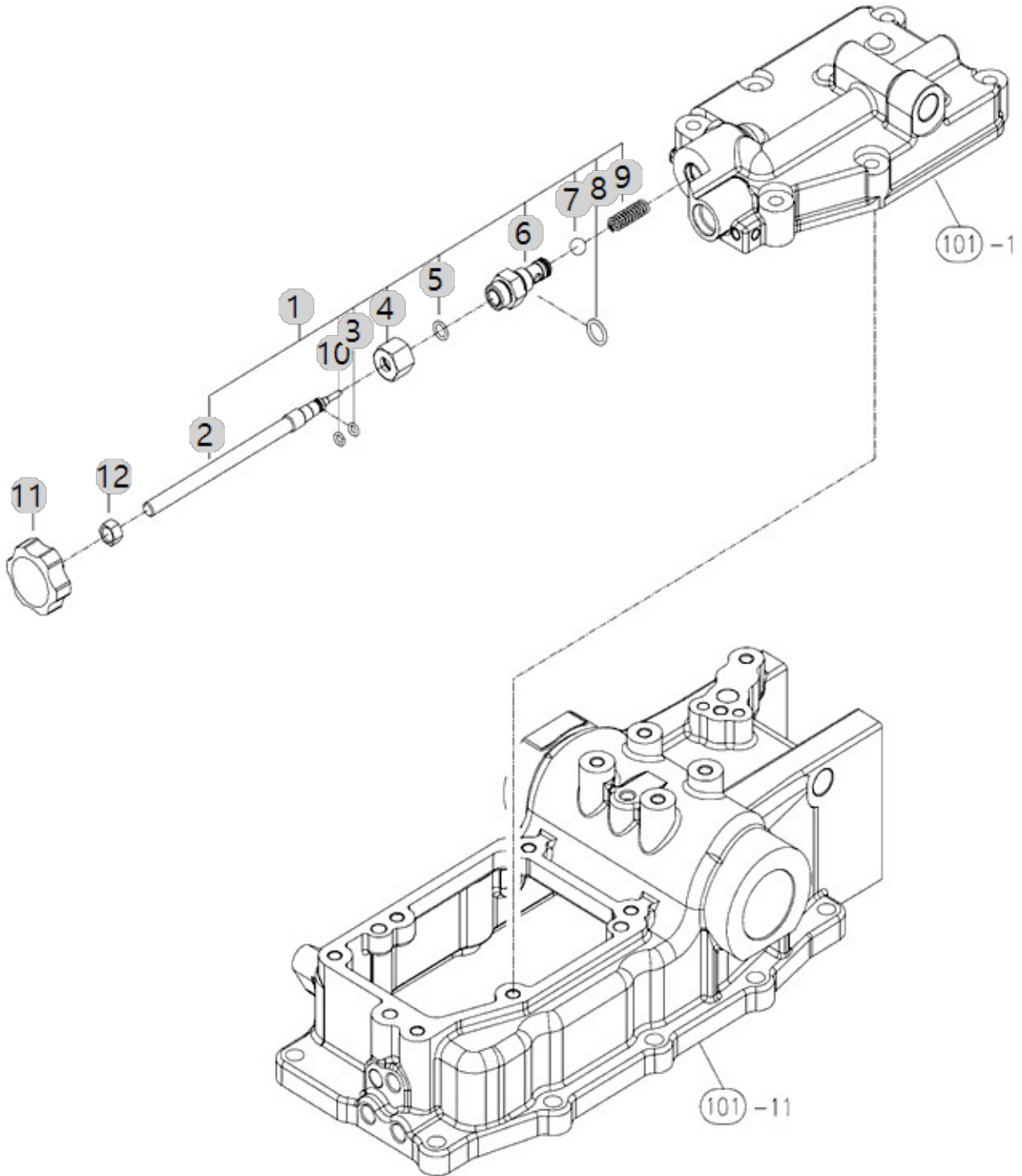
F10040

BRANSON 15R
TM_US_FL(AC01899)

(STOP VALVE)

Year/Month

2022-12-15



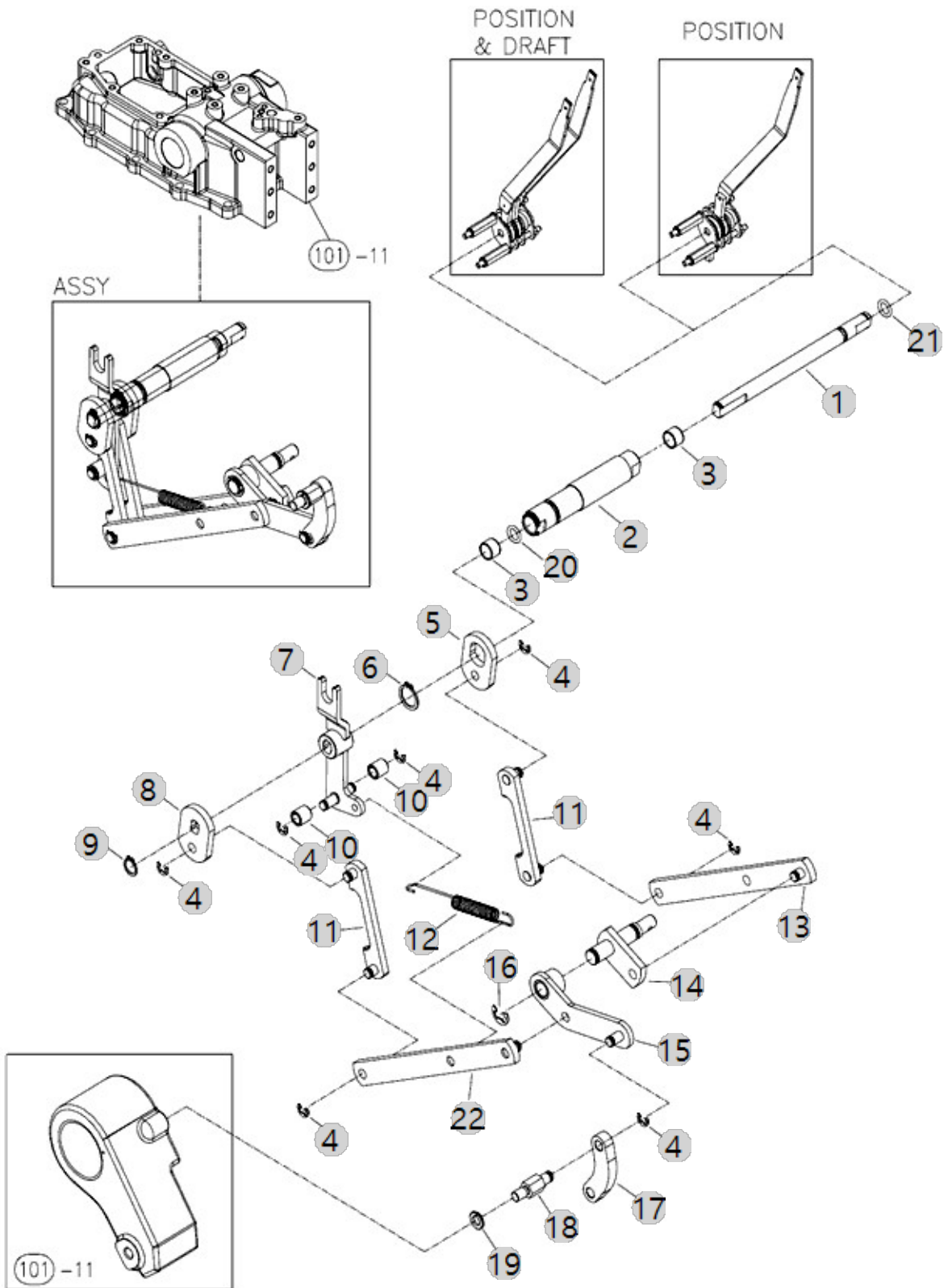
F10061

BRANSON 15R
TM_US_FL(AC01899)

(DRAFT/POSITION CONTROL LEVER)

Year/Month

2022-12-15



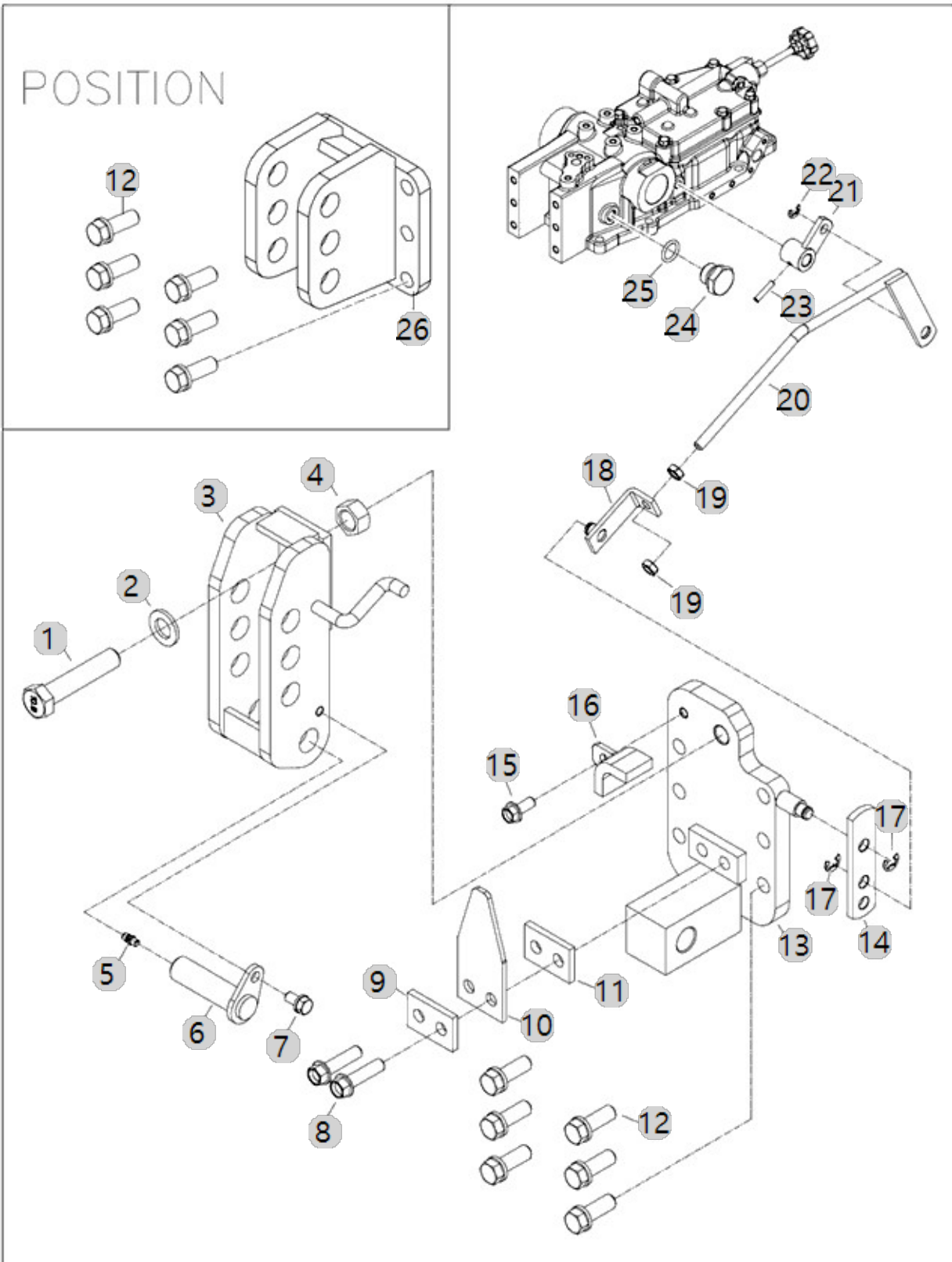
F10063

BRANSON 15R
TM_US_FL(AC01899)

(DRAFT CONTROL)

Year/Month

2022-12-15



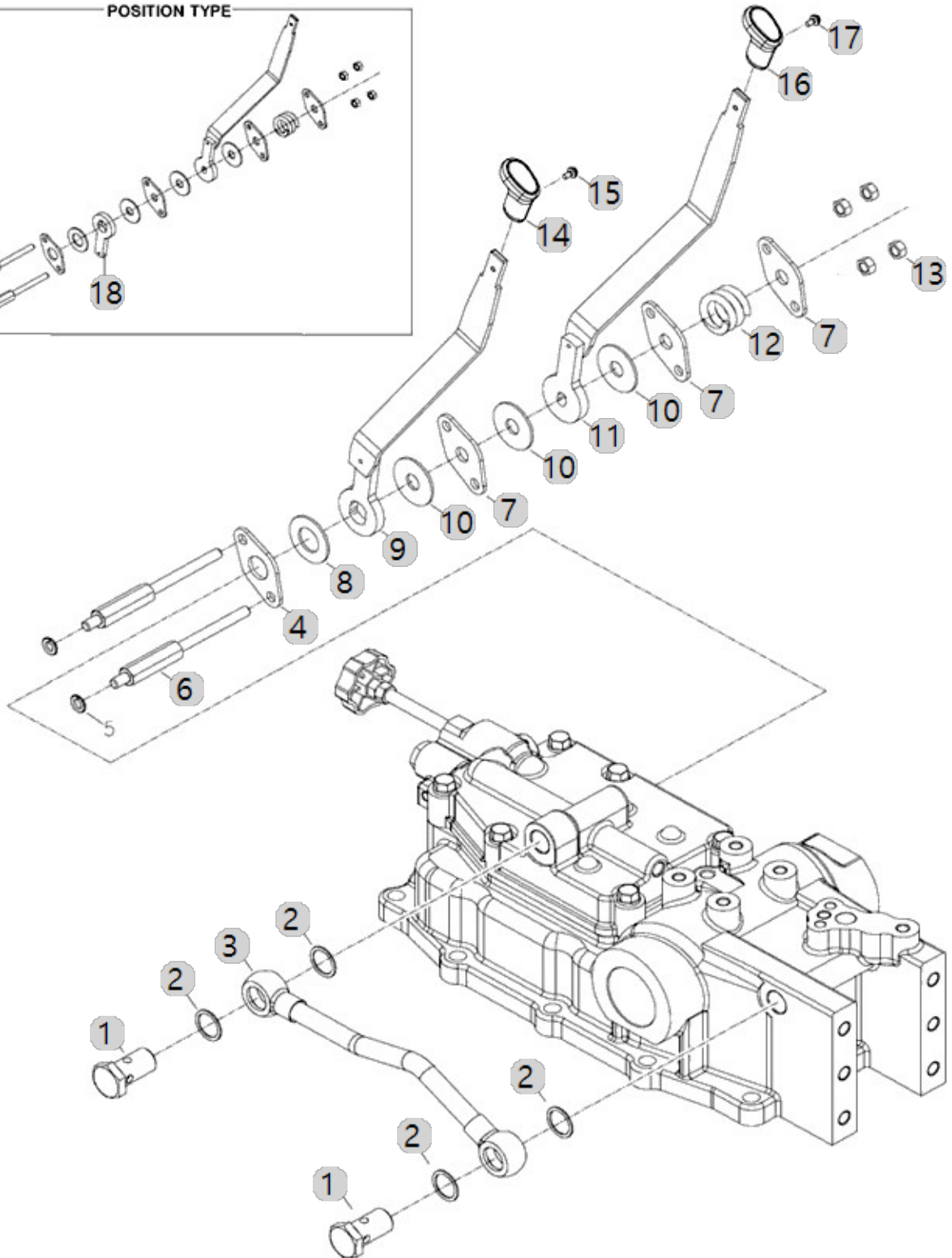
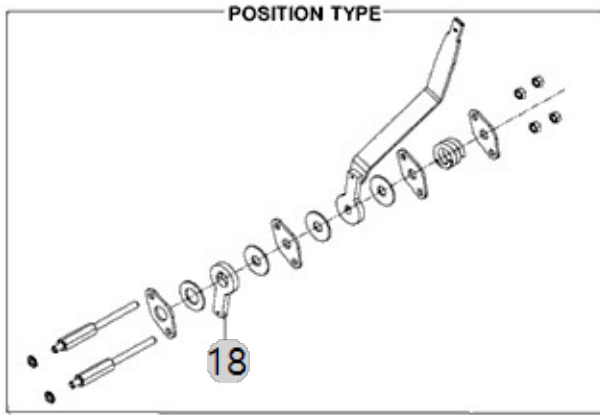
F10064

BRANSON 15R
TM_US_FL(AC01899)

(POSITION CONTROL LEVER)

Year/Month

2022-12-15



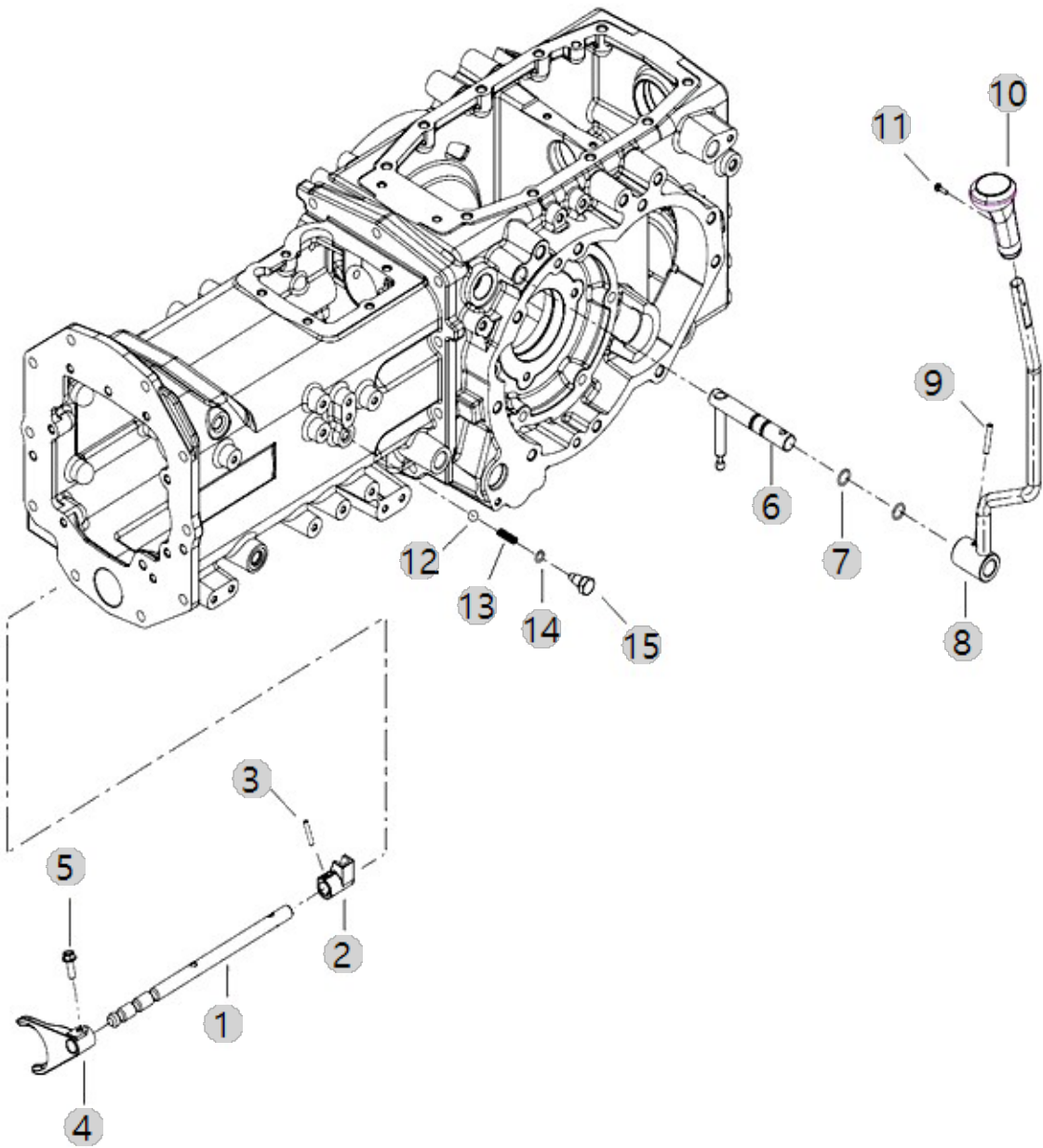
F11020

BRANSON 15R
TM_US_FL(AC01899)

(LEVER ASS'Y, RANGE SHIFT)

Year/Month

2022-12-15



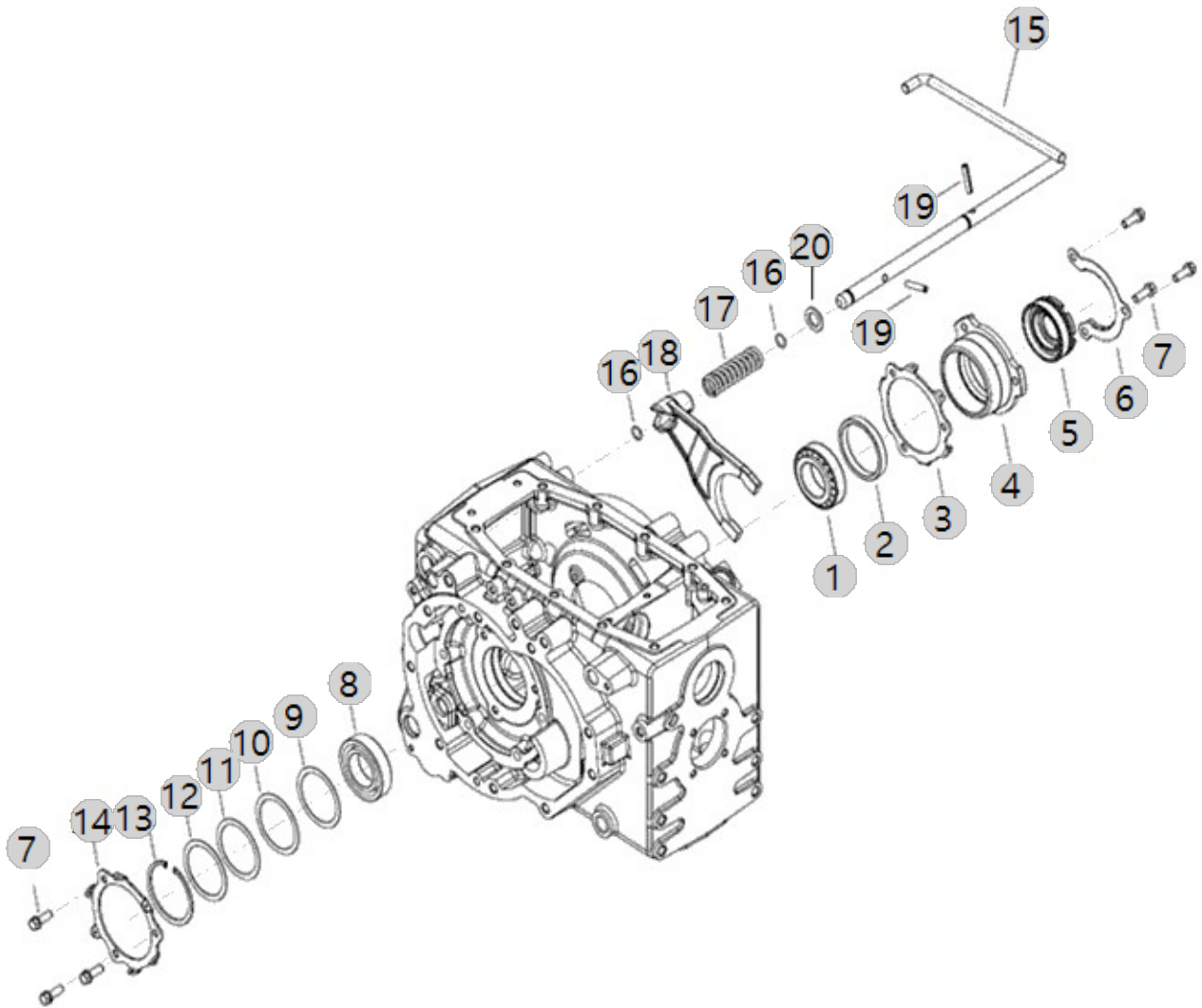
F11060

BRANSON 15R
TM_US_FL(AC01899)

(DIFFERENTIAL LOCK)

Year/Month

2022-12-15



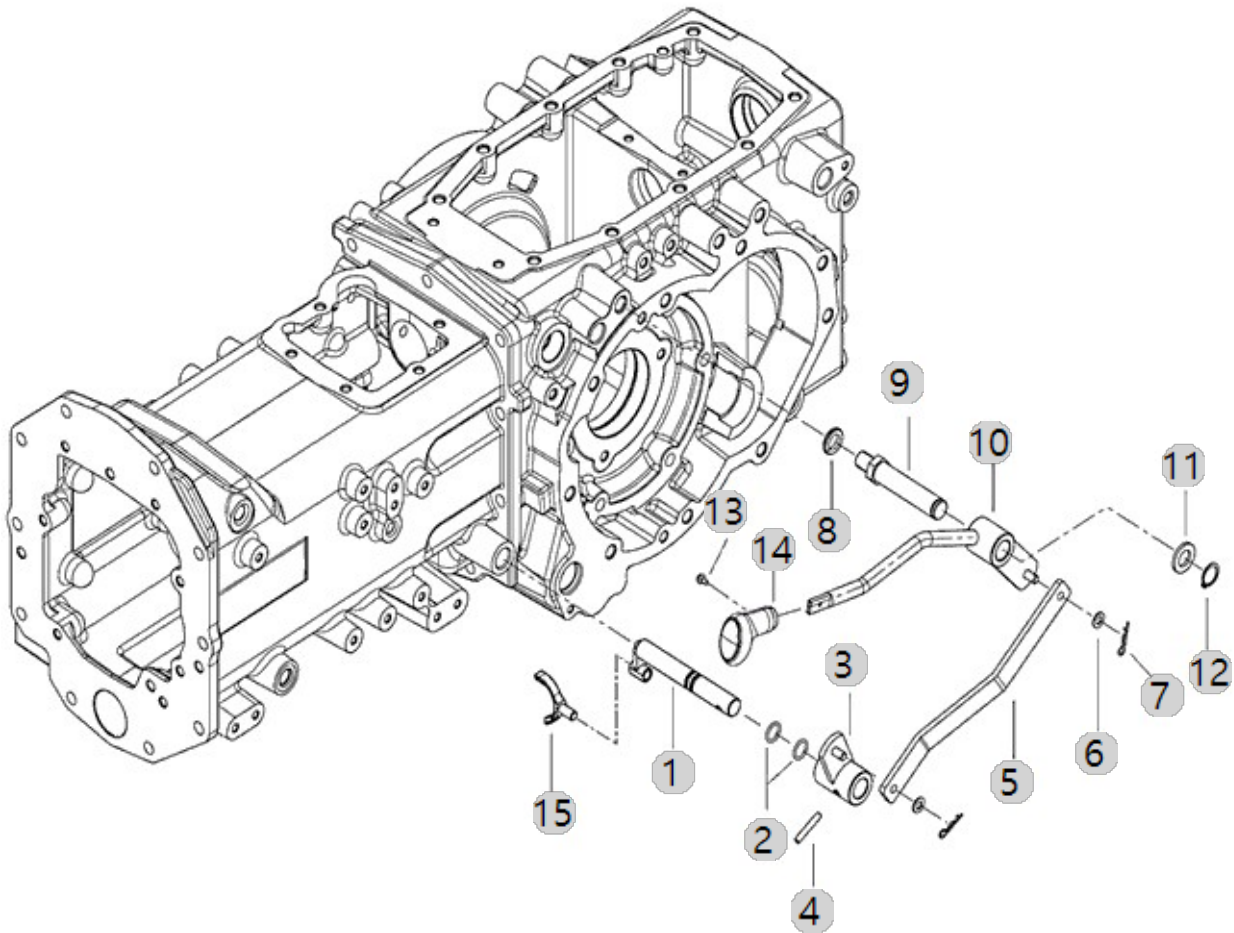
F11080

BRANSON 15R
TM_US_FL(AC01899)

(4WD LEVER)

Year/Month

2022-12-15



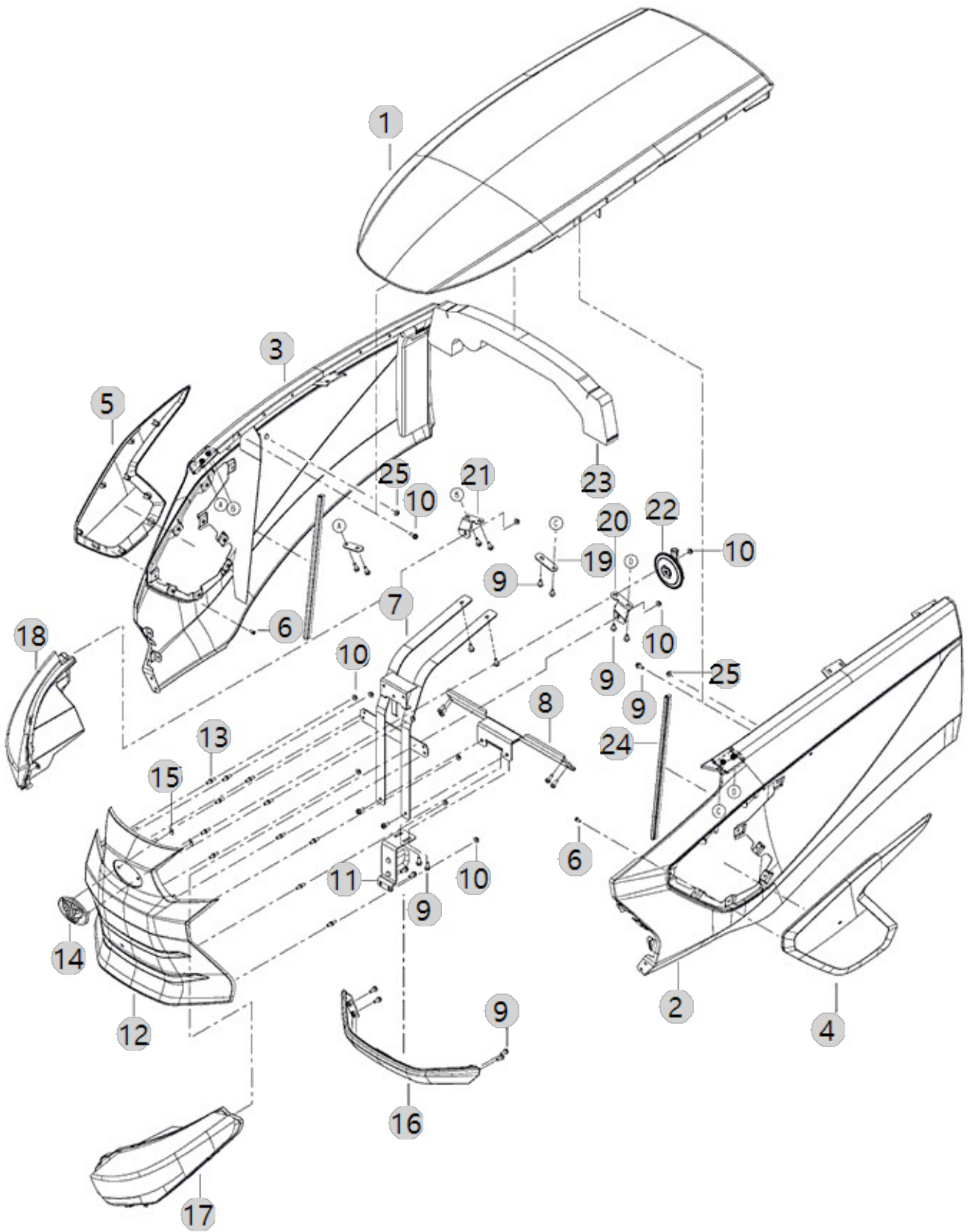
G01020

4215R_US_FL
(AC02161)

BONNET

Year/Month

2022-12-15



G01020		BONNET				Year/Month
4215R_US_FL (AC02161)						2022-12-15
순번 (NO)	부품번호 (PART NO)	품명 (PART NAME)	품명 (PART NAME)	수량 (QTY)	규격 (SPEC)	비고 (REMARK)
1	TA00072060B	본네트 판넬(상) 조합_SR	PANEL ASSY, TOP	1		
2	TA00072061A	본네트 판넬(좌) 조합_SR	PANEL ASSY, LH	1		
3	TA00072062A	본네트 판넬(우) 조합_SR	PANEL ASSY, RH	1		
4	TA00065003A	사이드 그릴(좌)	SIDE GRILLE, LH	1		
5	TA00065004A	사이드 그릴(우)	SIDE GRILLE, RH	1		
6	22587-480124	냄비머리태핑나사	TAPPING SCREW	18	4.8X12	
7	TA00064995C	그릴 프레임 조합	ASSY, GRILLE FRAME	1		
7	TA00064995B	그릴 프레임 조합	ASSY, GRILLE FRAME	1		
8	TA00064992C	중간 프레임조합	ASSY, MIDDLE FRAME	1		
8	TA00064992B	중간 프레임조합	ASSY, MIDDLE FRAME	1		
9	26106-060162	육각플랜지 볼트	HEXFLANGEBOLT	16	M6XP1.0X16	
10	26367-060002	플랜지너트	Nut, Hexa (Φ6)	17	M6XP1.0	
11	TA00064989C	래치 브래킷조합	ASSY, LATCH BRACKET	1		
12	TA00065002A	프런트 그릴	FRONT GRILLE	1		
13	TA00001332C	인서트볼트 M6	INSERT BOLT(M6)	11	M6	
14	TA00071736A	엠블럼(TYM)	EMBLEM(TYM)	1		
15	TB41290000D4	평너트	NUT	2	0.4T	
16	TA00072063A	본네트(하)조합_SR	PANEL ASSY, LOWER	1		
17	HA00001965A	전조등조합L(15FL)	HEAD LAMP L	1		
18	HA00001966A	전조등조합R(15FL)	HEAD LAMP R	1		
19	TA00065701A	연결 브래킷(F)	BRACKET, LINK	1		
19	TA00065701B	연결 브래킷(F)	BRACKET, LINK	1		
20	TA00065452B	램프 고정 브래킷(좌)	BRACKET, LAMP, LH	1		
20	TA00065452A	램프 고정 브래킷(좌)	BRACKET, LAMP, LH	1		
21	TA00065453A	램프 고정 브래킷(우)	BRACKET, LAMP, RH	1		
21	TA00065453B	램프 고정 브래킷(우)	BRACKET, LAMP, RH	1		
22	HA00000929A	혼(E11)	HORN	1		
23	TA00065897A	본네트 우레탄(상)	URETHANE, HOOD	1		
24	TA00064997B	라디에이터 스트립	STRIP, RADIATOR	2		
24	TA00064997A	라디에이터 스트립	STRIP, RADIATOR	2		
25	FE06040000A	푸시 너트 6	NUT 6, PUSH	2	0.4T	

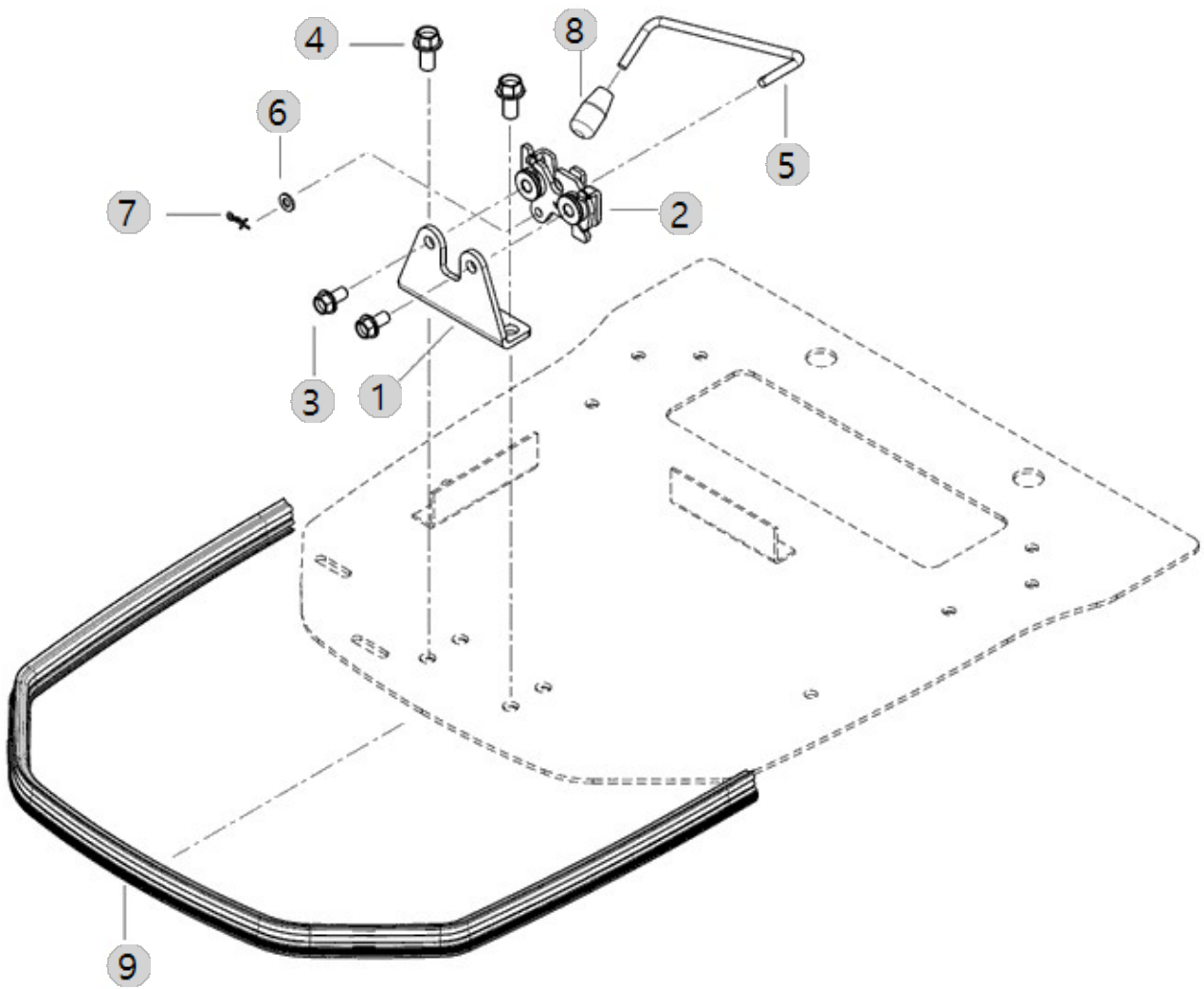
G01040

4215R_US_FL
(AC02161)

LOCKING ASS'Y, BONNET

Year/Month

2022-12-15



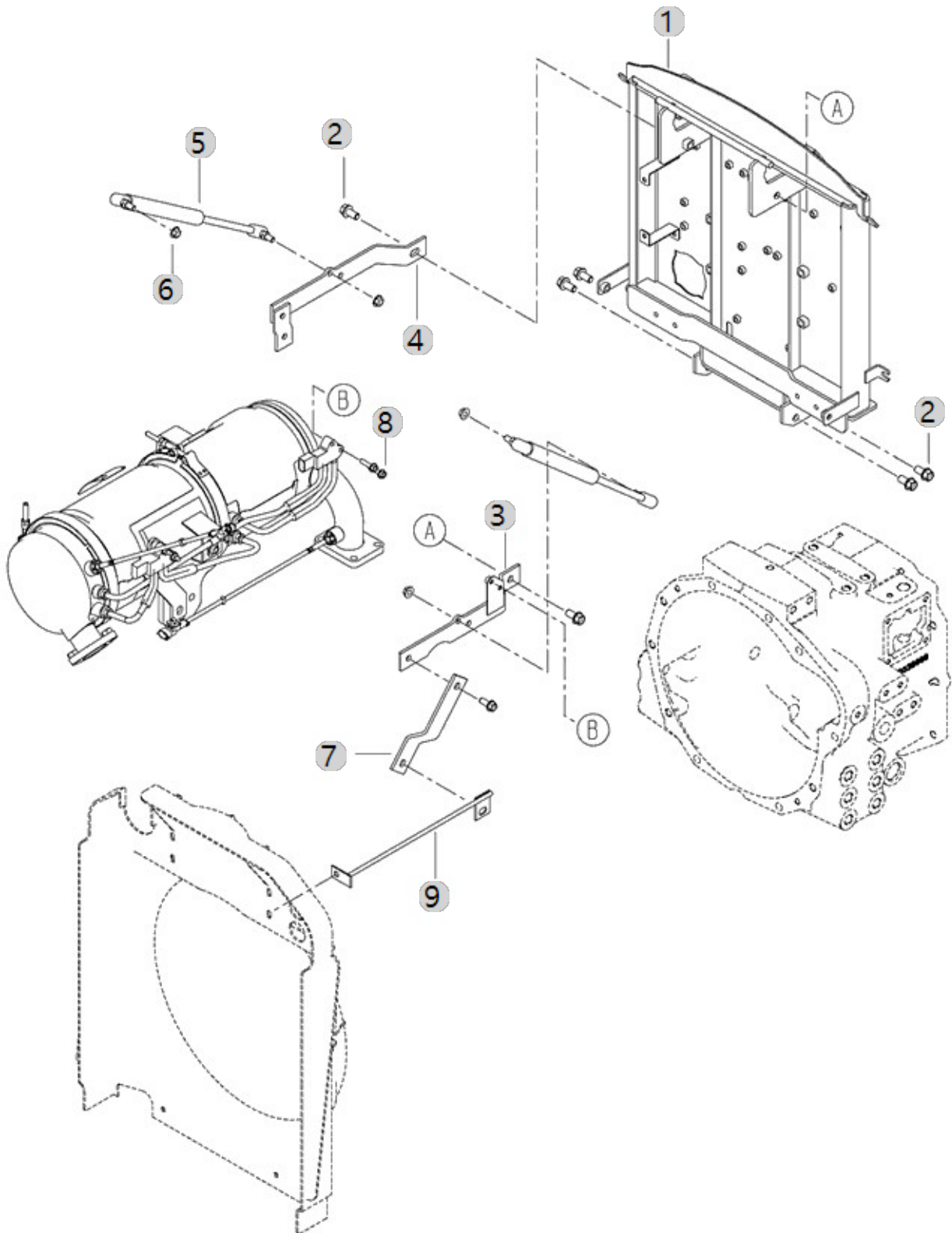
G01060-B

4215R_US_FL
(AC02161)

(BONNET SUPPORT)

Year/Month

2022-12-15



G01060-B 4215R_US_FL (AC02161)		(BONNET SUPPORT)				Year/Month
						2022-12-15
순번 (NO)	부품번호 (PART NO)	품 명 (PART NAME)	품 명 (PART NAME)	수량 (QTY)	규격 (SPEC)	비고 (REMARK)
1	TA00065201C	힌지 프레임 조립	ASSY, HINGE FRAME	1		
1	TA00065201E	힌지 프레임 조립	ASSY, HINGE FRAME	1		
1	TA00065201B	힌지 프레임 조립	ASSY, HINGE FRAME	1		
1	TA00065201D	힌지 프레임 조립	ASSY, HINGE FRAME	1		
2	26106-100202	육각플랜지볼트	HEX BOLT, (10-20)	6	M10XP1.5X20	
3	TA00040849D	고정브라켓 좌	BRACKET L	1		
3	TA00040849C	고정브라켓 좌	BRACKET L	1		
3	TA00040849E	고정브라켓 좌	BRACKET L	1		
4	TA00040848C	고정브라켓 우	BRACKET L	1		
4	TA00040848D	고정브라켓 우	BRACKET L	1		
5	TA00067716A	가스실린더	GAS CYLINDER	2		
6	26367-080002	259, 육각플랜지너트	HEX FLANGE NUT (Φ8)	4	M8XP1.25	
7	TA00040850B	연결 브래킷	BRACKET	1		
8	26106-060252	육각플랜지볼트	Screw, (6-25)	2	M6XP1.0X25	
9	TA00054098A	서포트조립(A4800)	SUPPORT ASSY	1		
9	TA00041934B	서포트조립(T4)	SUPPORT ASSY(T4)	1		
9A	TA00041934C	서포트조립(T4)	SUPPORT ASSY(T4)	1		

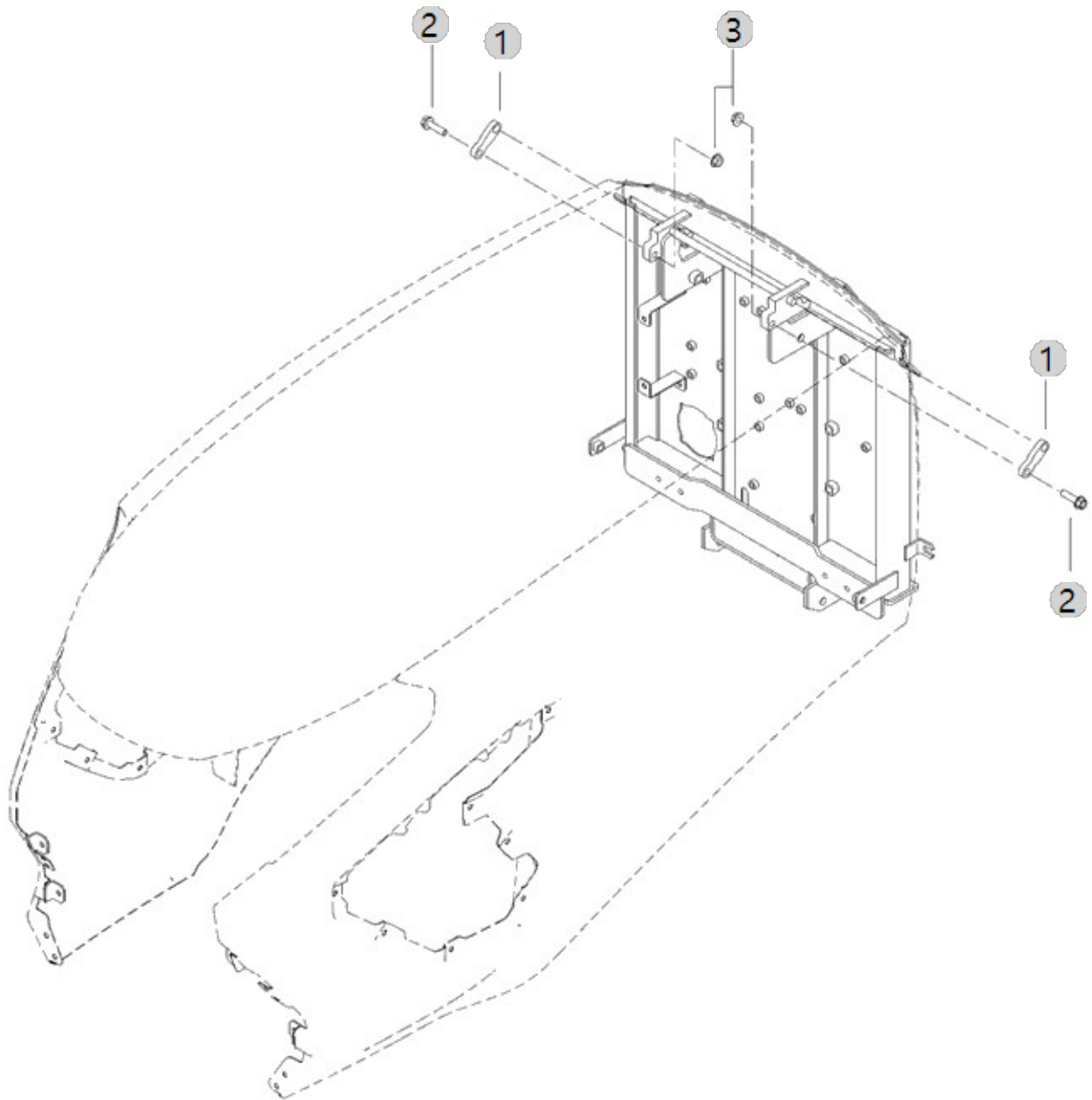
G01062

4215R_US_FL
(AC02161)

FIXED BRACKET, BONNET

Year/Month

2022-12-15



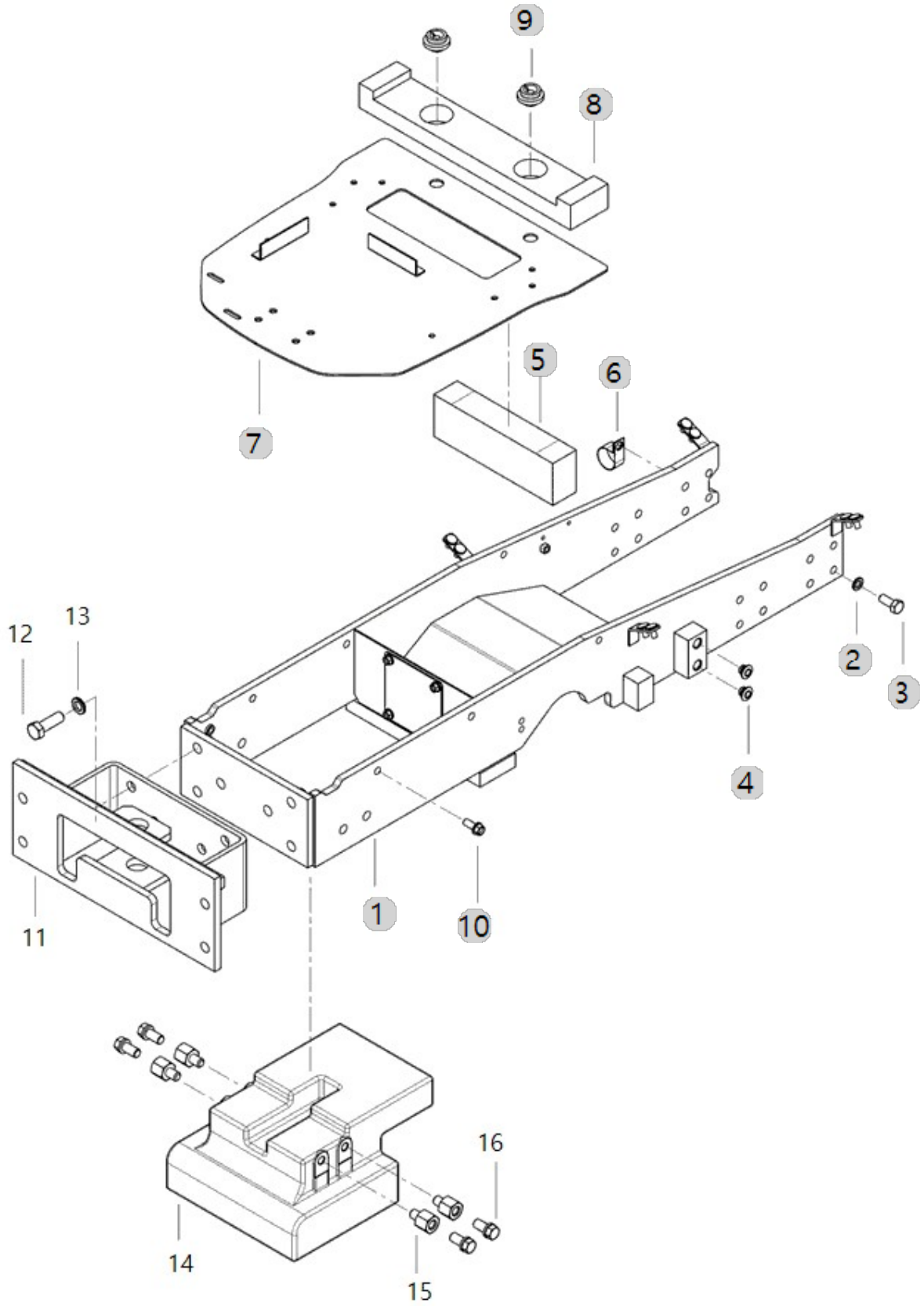
G01080

4215R_US_FL
(AC02161)

FRONT AXLE BRACKET

Year/Month

2022-12-15



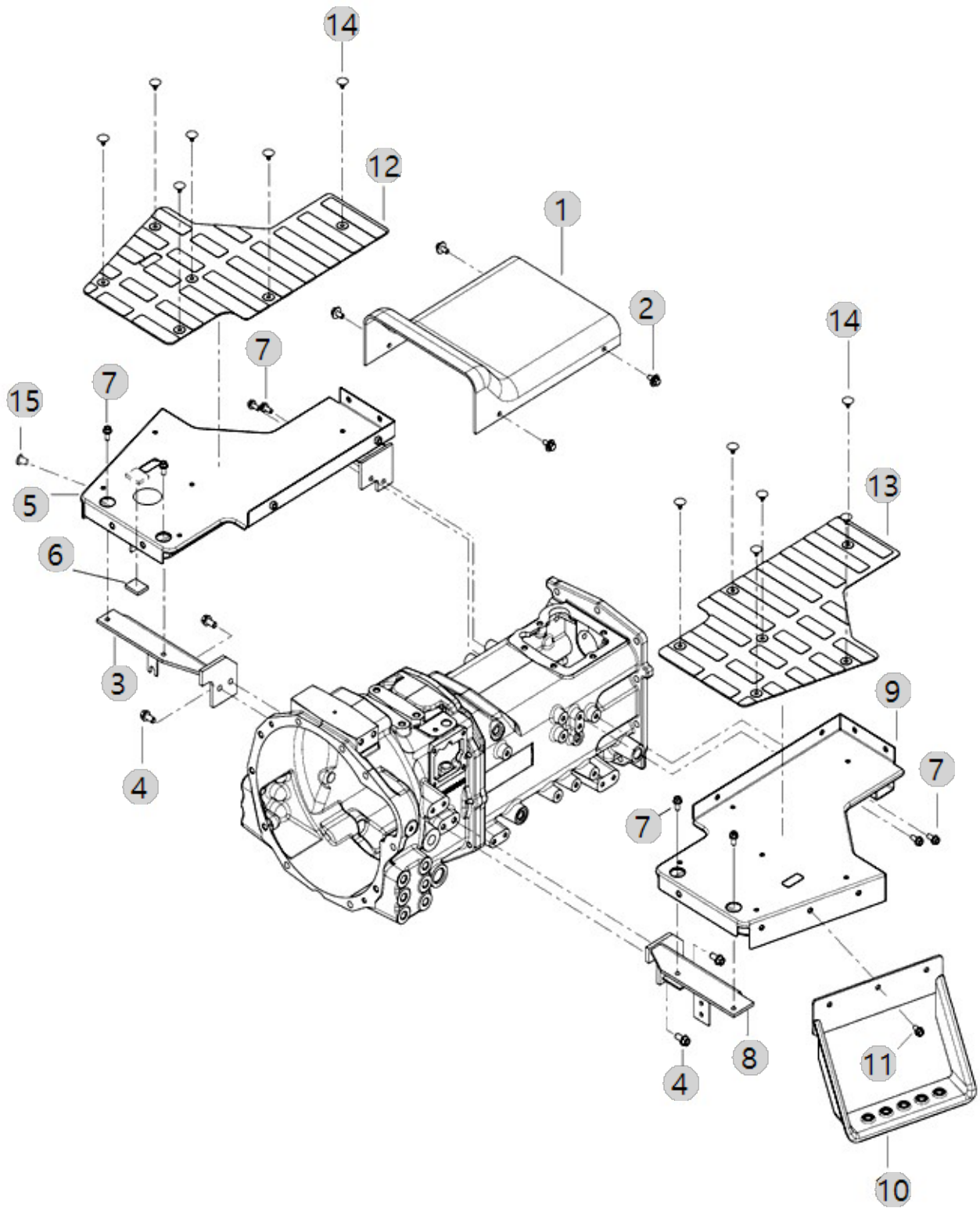
G04060

4215R_US_FL
(AC02161)

FOOT REST ASS'Y

Year/Month

2022-12-15



G04060 4215R_US_FL (AC02161)		FOOT REST ASS'Y				Year/Month 2022-12-15
순번 (NO)	부품번호 (PART NO)	품명 (PART NAME)	품명 (PART NAME)	수량 (QTY)	규격 (SPEC)	비고 (REMARK)
1	TA00065084B	미션커버	COVER, MISSION	1		
2	TA00064722A	와셔조립육각볼트(M8X20L-IB)	BOLT(+SW,PW)	4		
3	TA00039637C	발판서포트조합(RH)	FOOTBOARD SUPPORT ASS'Y(RH)	1		
3	TA00039637B	발판서포트조합(RH)	SUPPORT ASS'Y(RH)	1		
4	26106-100202	육각플랜지볼트	HEX BOLT, (10-20)	4	M10XP1.5X20	
5	TA00039344G	발판 조합(우)	FOOTBOARD ASS'Y(R)	1		
5	TA00039344F	발판 조합(우)	FOOTBOARD ASS'Y(R)	1		
5	TA00039344H	발판 조합(우)	FOOTBOARD ASS'Y(R)	1		
6	TA00018661A	스토퍼쿠션	PIPE	1	10T	
7	26106-080182	444,ALL,플랜지볼트	SCREW,HEXFLANGEHEADCAP	8		
8	TA00039438C	발판서포트조합(LH)	FOOTBOARD SUPPORT ASS'Y(LH)	1		
8	TA00039438B	발판서포트조합(LH)	SUPPORT(LH)	1		
9	TA00039343D	발판 조합(좌)	FOOTBOARD ASS'Y(L)	1		
9	TA00039343C	발판 조합(좌)	FOOTBOARD ASS'Y(L)	1		
9	TA00039343E	발판 조합(좌)	FOOTBOARD ASS'Y(L)	1		
10	TA00072972A	보조발판 조합	STEP ASS'Y	1		
11	TA00064630A	육각플랜지볼트(M8X20L-IB)	SCREW, HEX FLANGE HEAD CAP	3		
12	TA00040596B	고무매트(R)	MAT,FOOT REST	1		
13	TA00040393B	고무매트	MAT, RUBBER	1		
14	TTE0400000A4	나이론캡	NYLON BOLT	12		
15	TA00070081A	고무마개8	RUBBER CAP, 8	3		

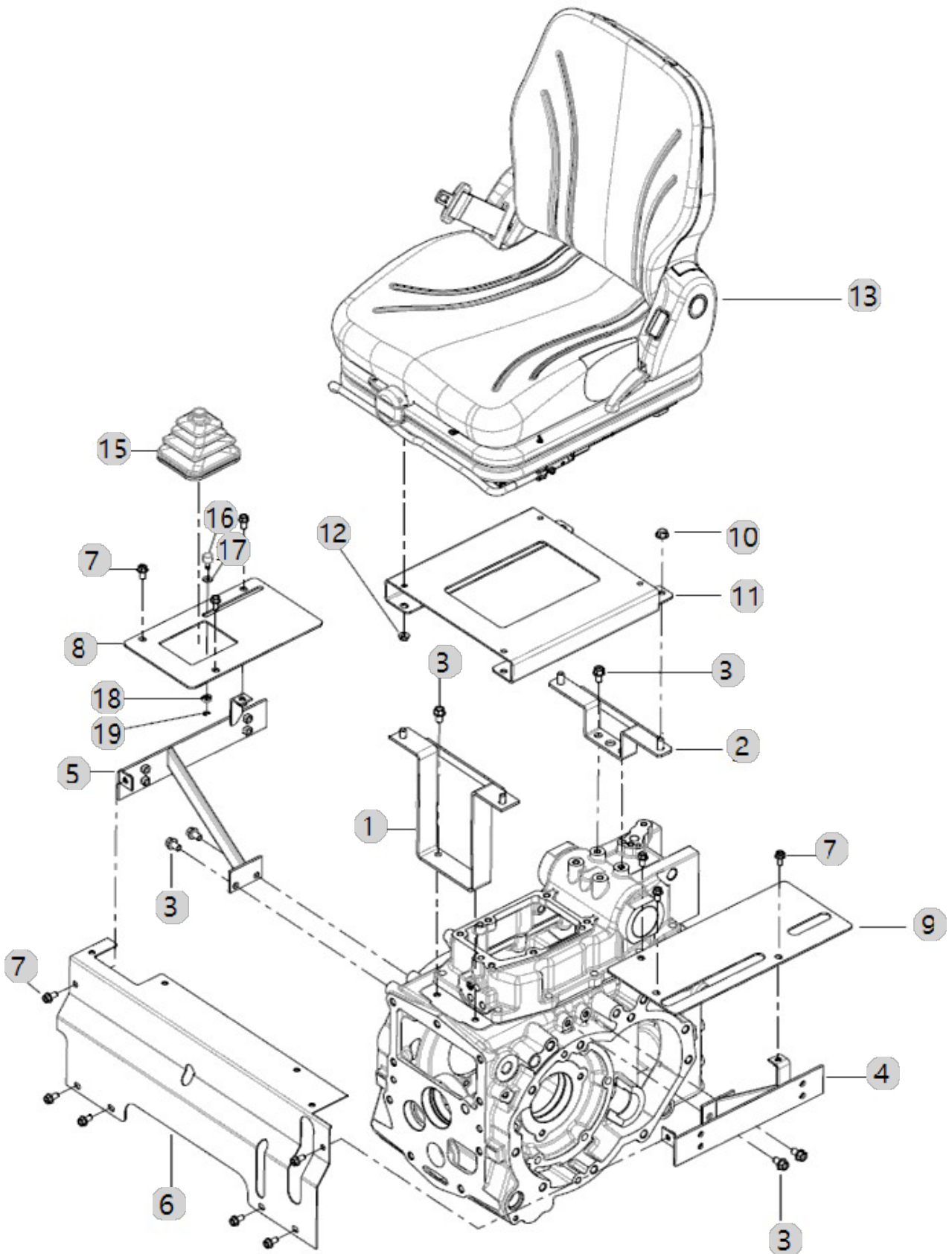
G04070

4215R_US_FL
(AC02161)

SEAT

Year/Month

2022-12-15



G04070		SEAT				Year/Month
4215R_US_FL (AC02161)						2022-12-15
순번 (NO)	부품번호 (PART NO)	품 명 (PART NAME)	품 명 (PART NAME)	수량 (QTY)	규격 (SPEC)	비고 (REMARK)
1	TA00039024C	시트브라켓	FRONT BRACKET ASS'Y	1		
1	TA00039024D	시트브라켓	BRACKET	1		
2	TA00034064D	브래킷 조합	BRACKET ASS'Y	1		
2	TA00034064C	브래킷 조합	BRACKET ASS'Y	1		
3	26106-100162	플랜지볼트M10X16	SCREW,HEXFLANGEHEADCAP	8	M10XP1.5X16	
4	TA00039082E	커버브라켓 조합(부변속)	BRACKET ASS'Y, COVER	1		
4	TA00039082D	커버브라켓 조합(부변속)	BRACKET ASS'Y, COVER	1		
5	TA00039075F	커버브라켓조합(P/D)	BRACKET ASS'Y, COVER	1		
5	TA00039075E	커버브라켓조합(P/D)	BRACKET ASS'Y, COVER	1		
6	TA00040747F	먼지커버조합(유럽용)	DUST COVER ASS'Y	1		
6	TA00040747E	먼지커버조합(유럽용)	DUST COVER ASS'Y	1		
7	26106-080162	플랜지볼트 8X16	SCREW,HEXFLANGEHEADCAP	12	M8XP1.25X16	
8	TA00069241B	레버커버(P)	LEVER COVER	1		
8	TA00069241A	레버커버(P)	LEVER COVER	1		
9	TA00058177B	레버커버(부변속)	LEVER COVER(RANGE SHIFT)	1		
9	TA00058177A	레버커버(부변속)	LEVER COVER	1		
10	26367-100002	263,ALL,고정너트(우나사)	NUT,HEXAGONFLANGE	4	M10X1025	
11	TA00064046A	시트브래킷	SEAT BRACKET	1		
11	TA00064046B	시트브래킷	SEAT BRACKET	1		
12	26367-080002	259, 육각플랜지너트	HEX FLANGE NUT (Φ8)	4	M8XP1.25	
13	TA00056688B	의자 조합(US)	SEAT ASS'Y	1		
14	TA00064779B	의자SUB조합(US)	SEAT SUB ASSY	1		
14	TA00064779A	의자SUB조합(US)	SEAT SUB ASSY	1		
15	TA00054749A	부변속부츠	SUB SHIFT BOOTS	1		
16	TA00068764A	스토퍼볼트	STOPPER BOLT	1		
17	TA00069031A	와셔	WASHER	1		
18	TA00068765A	슬롯너트	NUT	1		
19	22272-000050	E형스냅링5	RING, CIRCLIP (Φ 05)	1	D5	

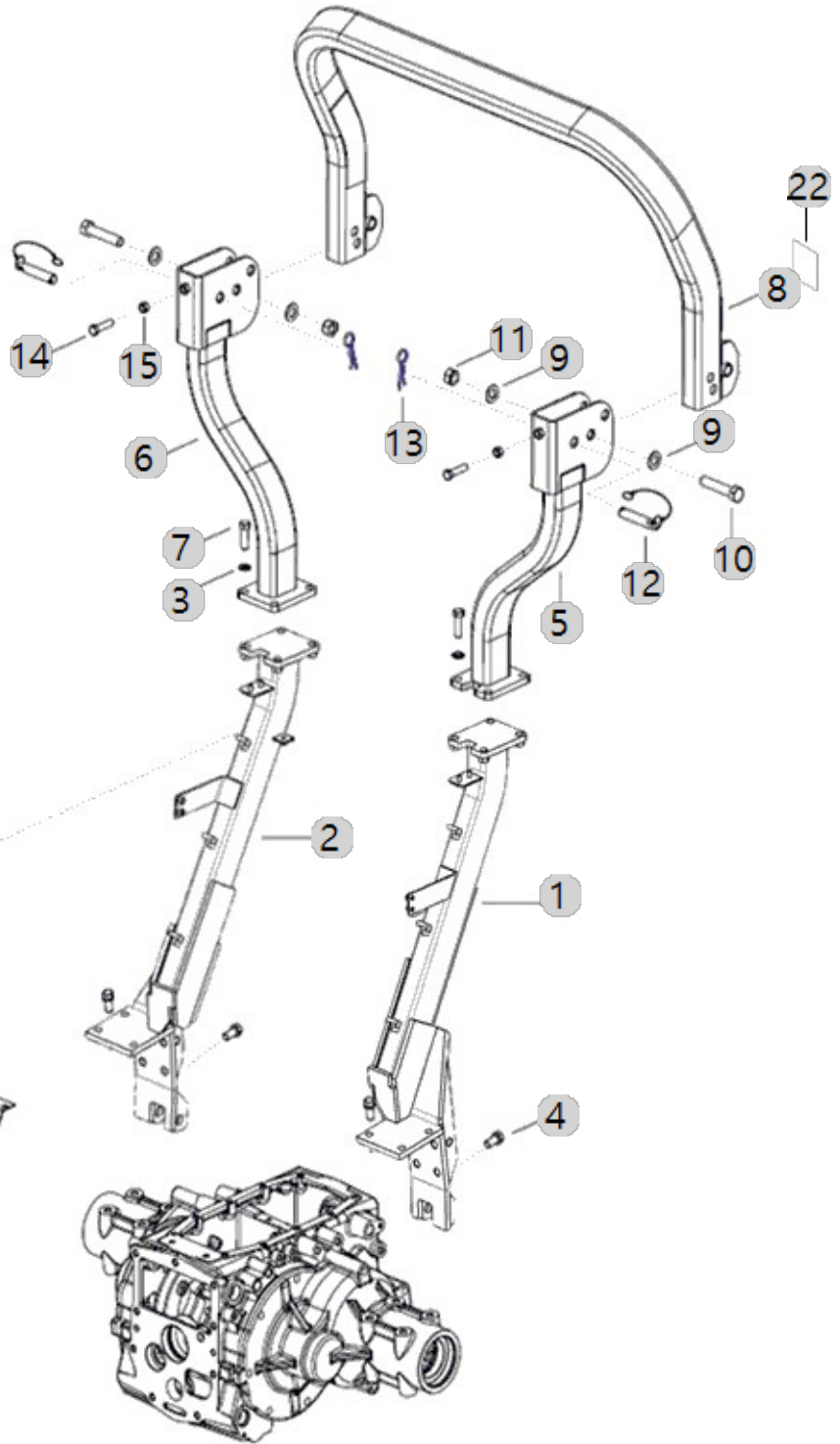
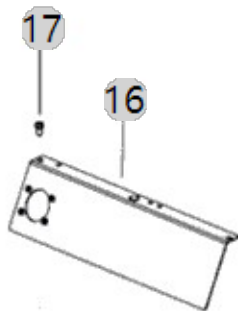
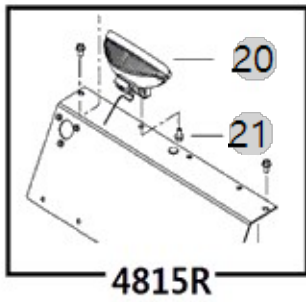
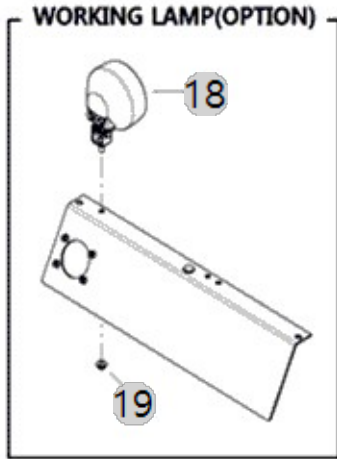
G04120

4215R_US_FL
(AC02161)

ROPS FRAME ASS'Y

Year/Month

2022-12-15



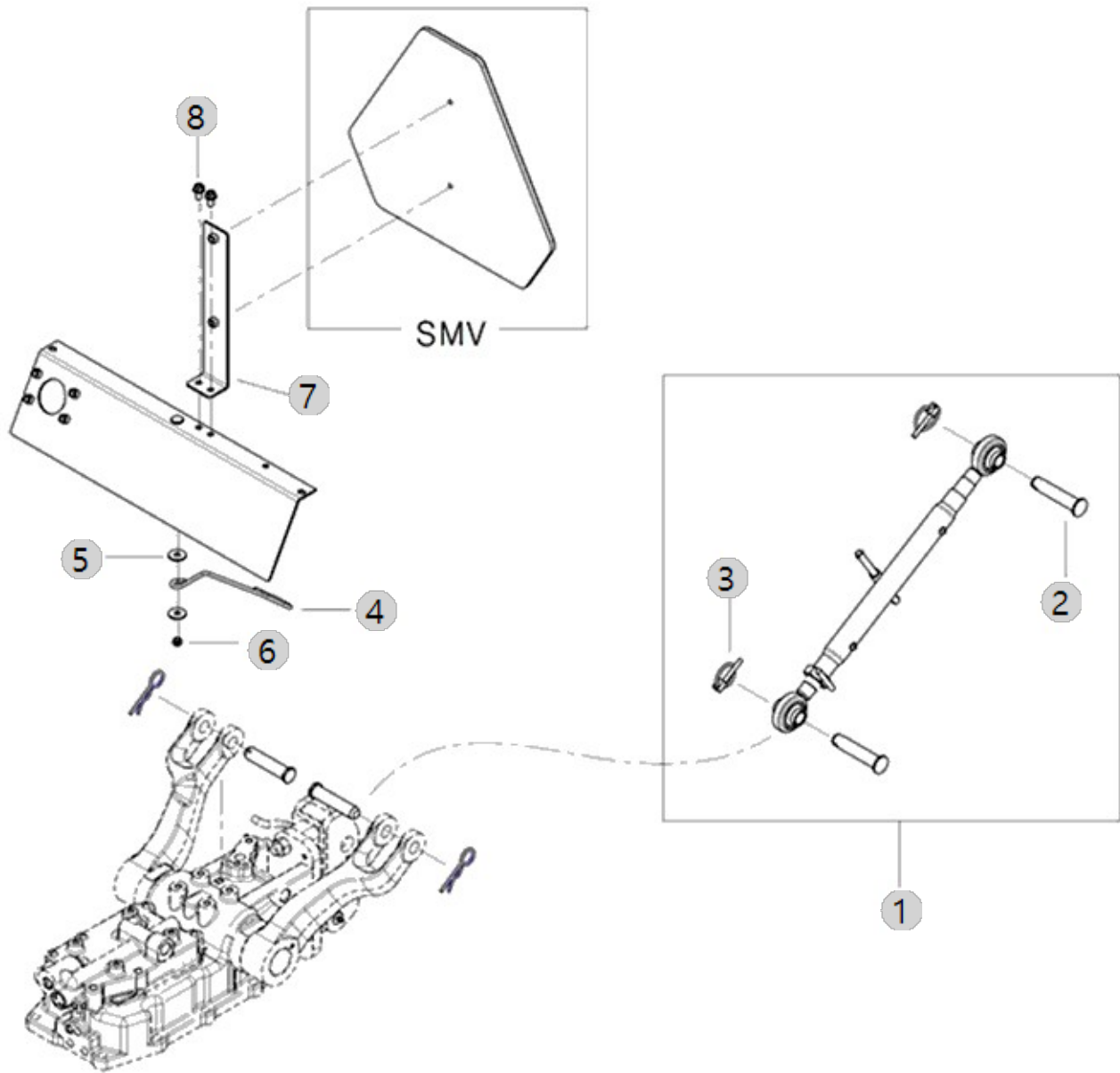
G05020

4215R_US_FL
(AC02161)

TOP LINK

Year/Month

2022-12-15



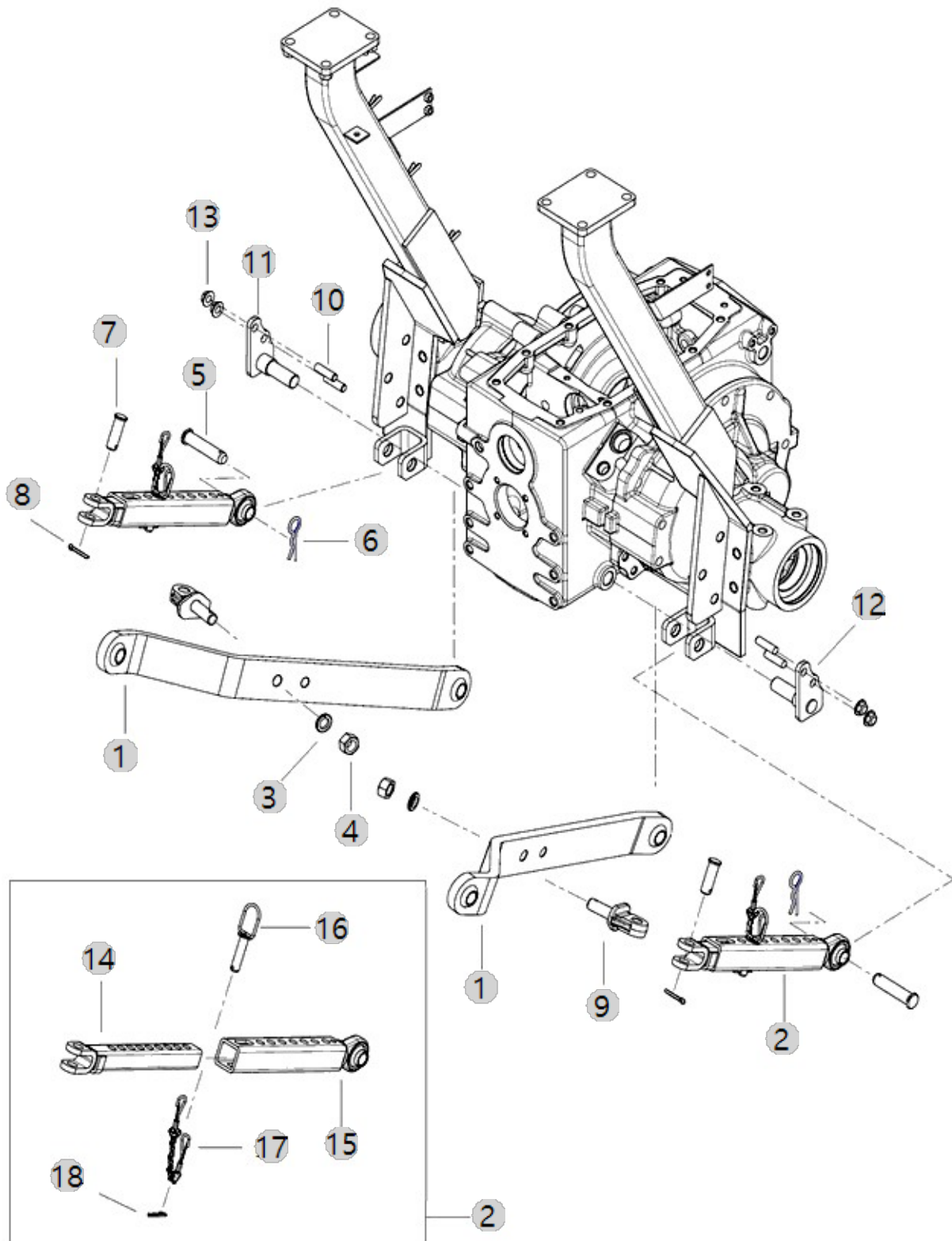
G05030

4215R_US_FL
(AC02161)

LOWER LINK

Year/Month

2022-12-15



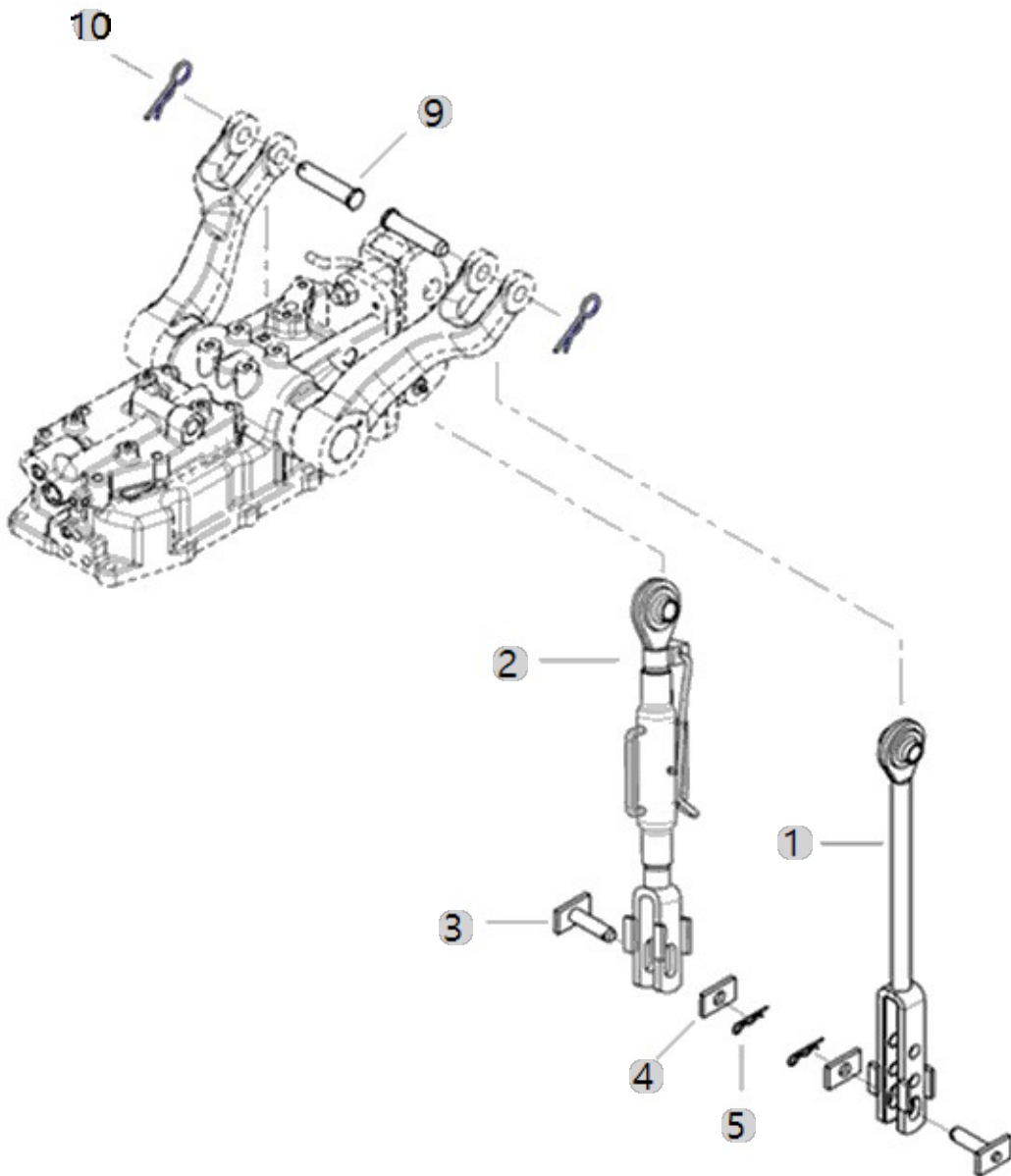
G05050

4215R_US_FL
(AC02161)

LIFT LINK

Year/Month

2022-12-15



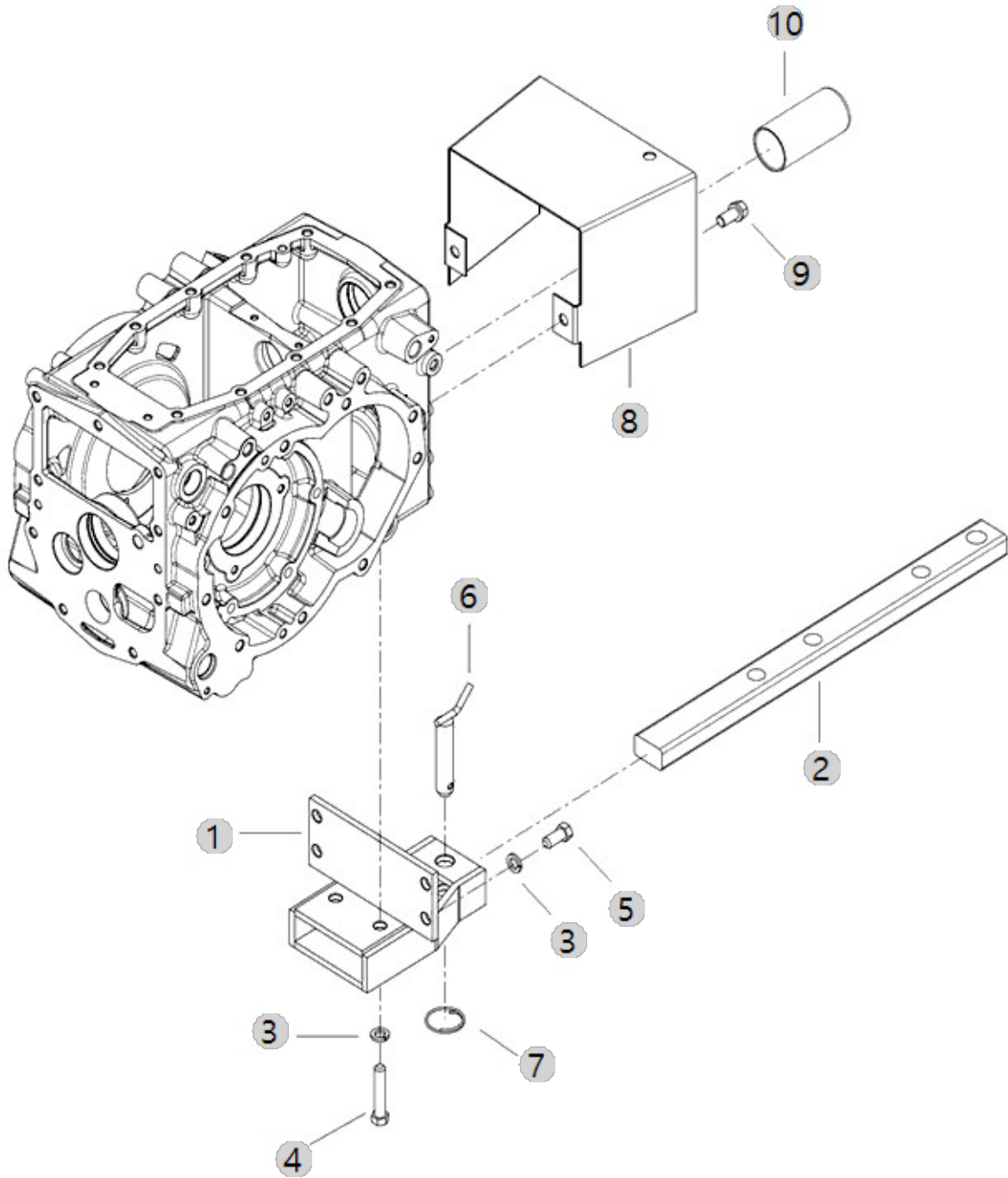
G05070

4215R_US_FL
(AC02161)

DRAWBAR HITCH

Year/Month

2022-12-15



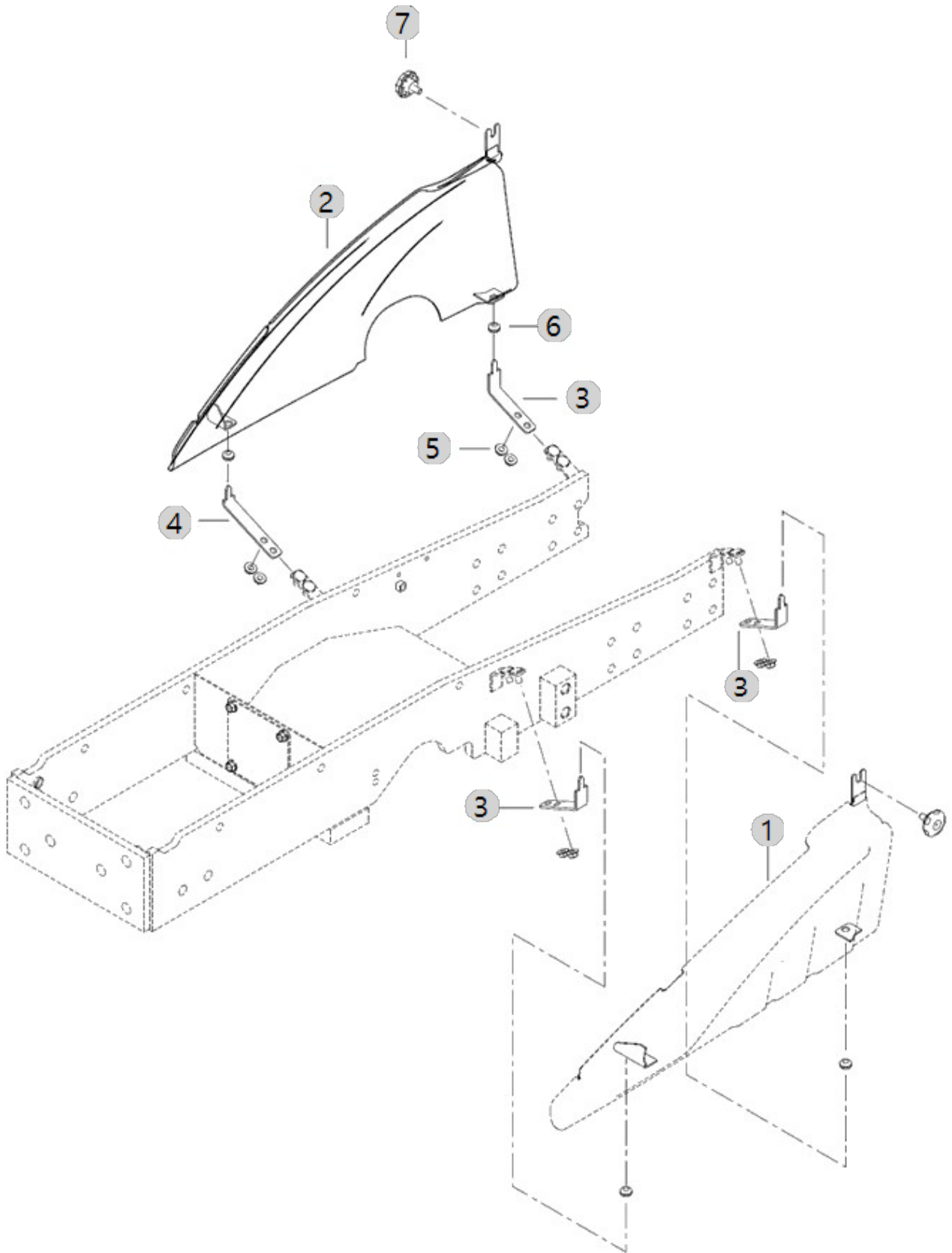
G05090

4215R_US_FL
(AC02161)

SIDE COVER

Year/Month

2022-12-15



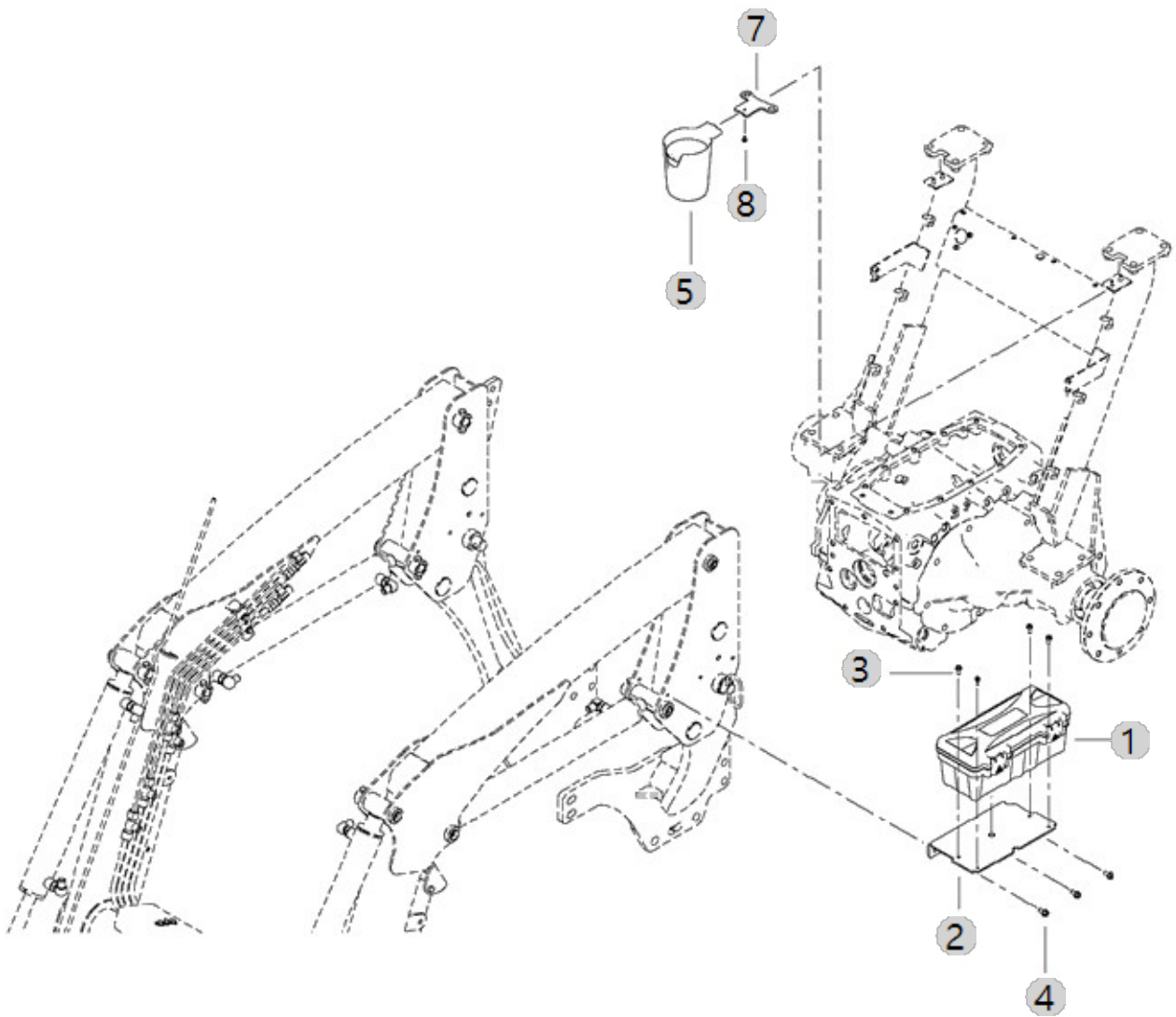
G06010

4215R_US_FL
(AC02161)

TOOL BOX & CUP HOLDER

Year/Month

2022-12-15



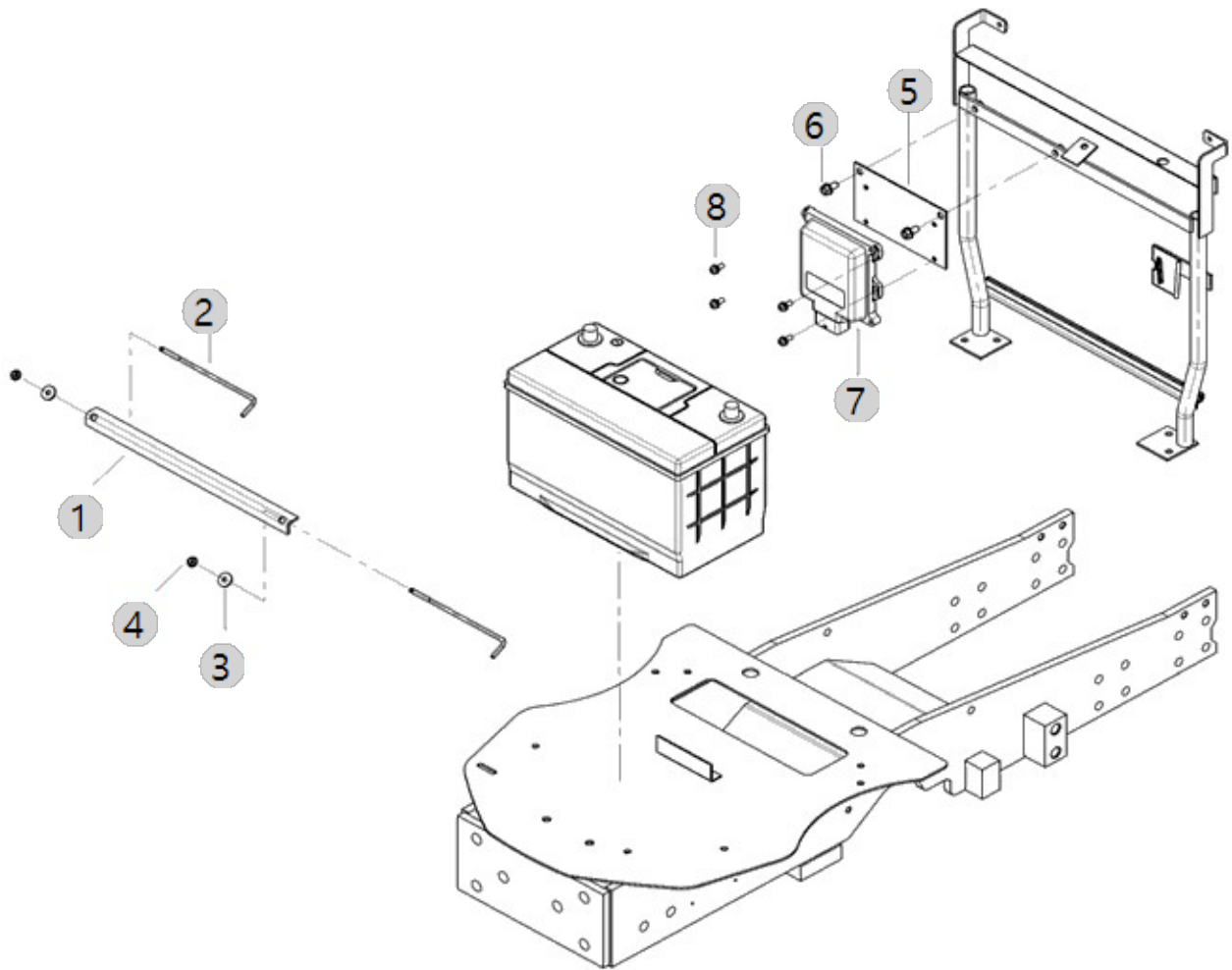
H01030

4215R_US_FL
(AC02161)

BATTERY

Year/Month

2022-12-15



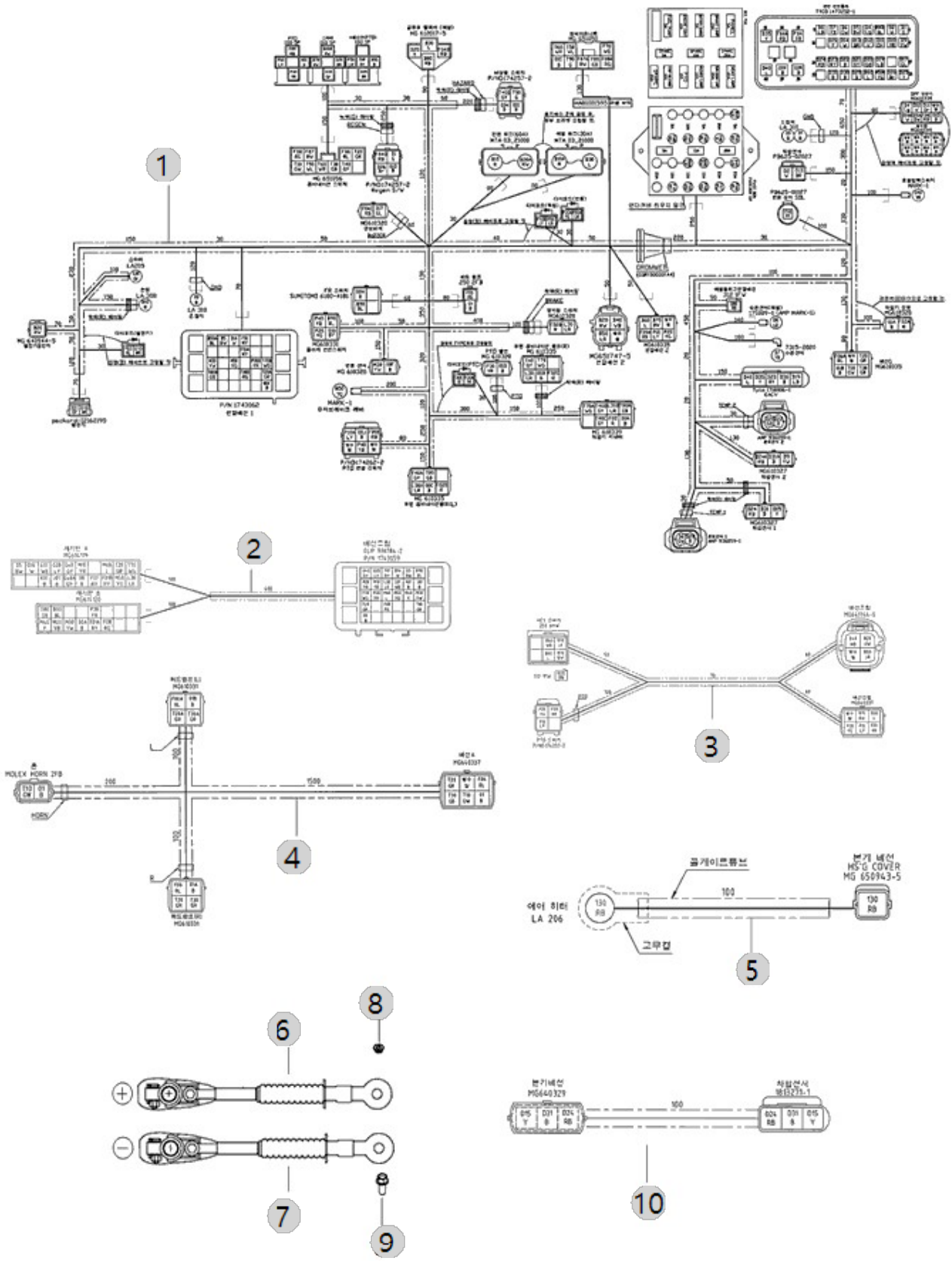
H03000

4215R_US_FL
(AC02161)

HARNESS

Year/Month

2022-12-15



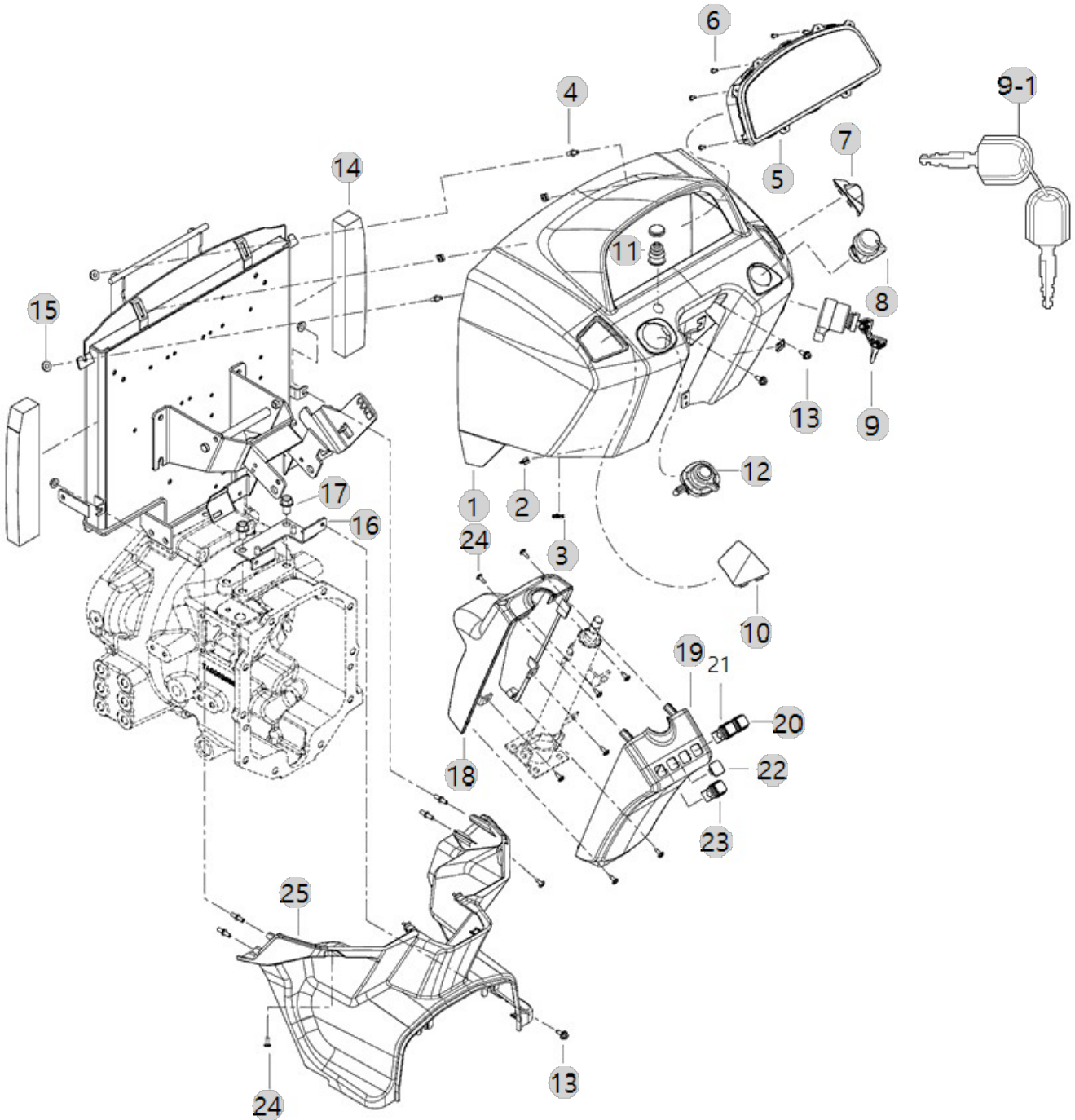
H04051

4215R_US_FL
(AC02161)

SWITCH/DASHBOARD

Year/Month

2022-12-15



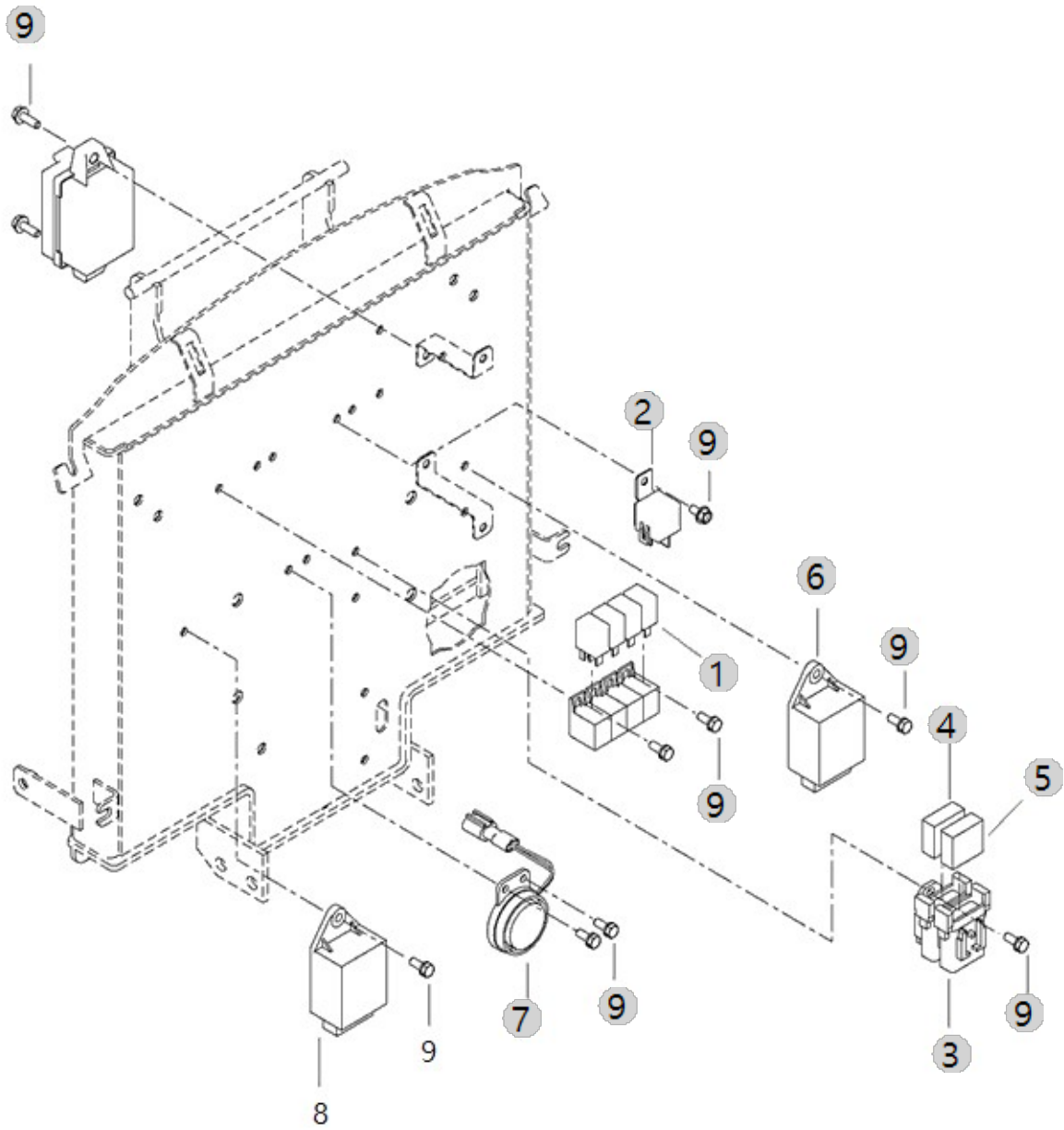
H04070

4215R_US_FL
(AC02161)

CONTROLLER

Year/Month

2022-12-15



I03000

4215R_US_FL
(AC02161)

NAME PLATE

Year/Month

2022-12-15

2515R

3015R

3515R

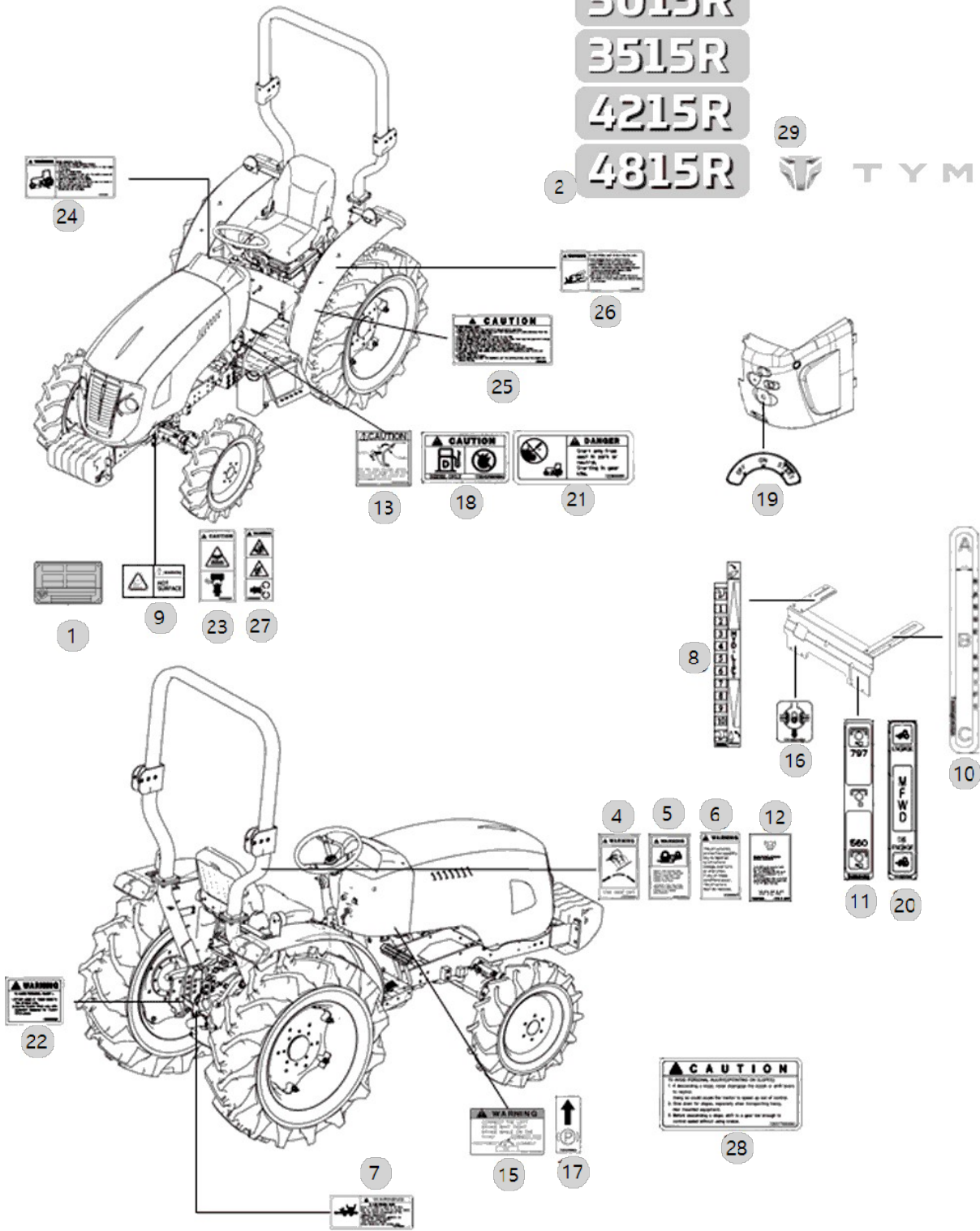
4215R

4815R

29



TYM



I06010

4215R_US_FL
(AC02161)

SUN VISOR(OPTION)

Year/Month

2022-12-15

