

4815CH_US_FL(AC02167) TRACTOR

Parts Catalogue



CONTENTS

GROUP NO	GROUP NAME	PAGE
G. ENGINE		
A01_007	CYLINDER BLOCK	4
A02_005	DRIVE PULLY	6
A03_004	CRANK SHAFT PULLEY	8
A04_005	GLOW PLUG ASS'Y OPTION	10
A05_005	CRANK SHAFT ASS'Y OPTION	12
A06_004	BREATHER OPTION	14
A07_005	CAMSHAFT	16
A08_006	ALTERNATOR	18
A09_007	COOLING WATER PUMP	20
A10_010	COOLING FAN SPACER	22
A11_007	INJECTOR	24
A12_014	FUEL INJECTON	26
A13_005	PLUMBING, FUEL	28
A14_003	FUEL FILTER BRACKET	31
A16_018	FUEL FILTER ASS'Y OPTION	33
A17_012	INTAKE MANIFOLD ASS'Y OPTION	35
A18_011	FLYWHEEL	37
A19_007	FLYWHEEL HOUSING	39
A20_010	HEAD, CYLINDER	41
A21_004	HEAD COVER	43
A23_009	TURBOCHARGER SUPPORT ASS'Y OPTION	45
A25_002	OIL JET ASS'Y OPTION	47
A26_005	COOLER, ENGINE OIL	49
A27_005	OIL PAN ASS'Y OPTION	51
A28_001	PUMP, LUBRICATING OIL	53
A29_005	FILTER, LUBRICATING OIL	55
A30_003	FRONT GEAR ACCESSORY DRIVE	57
A31_007	PISTON	59
A32_003	LEVER, LOCKER	61
A33_013	EXHAUST MANIFOLD	63
A35_002	IDLE GEAR	65
A36_004	COVER, FRONT GEAR	67
A37_001	BALANCE ASS'Y	69
A38_009	GAUGE, OIL LEVEL	71

CONTENTS

GROUP NO	GROUP NAME	PAGE
G. ENGINE		
A39_001	OIL FILLER CAP	73
A40_003	LIFT ASS'Y OPTION	75
A41_001	COMP,DRIVE PULLEY ASS'Y OPTION	77
A42_003	MOTER, STARTIONS	79
A43_001	DPF SUPPORT OPTION	81
A44_006	DPF MOUNTING OPTION	83
A45_011	DPF	85
A48_006	V-BELT	87
F. TRANSMISSION		
F01010	CLUTCH HOUSING[4815CH]	89
F01020	TRANSMISSION CASE	91
F01030	REAR AXLE HOUSING	93
F01050	HYD SHIFT TRANSMISSION HOUSING	95
F03040	RANGE SHIFT DRIVE SHAFT-1	97
F04010	FORNT DRIVE SHAFT	99
F05020	REAR DIFFERNTIAL	101
F05020	RING GEAR&DIFF.GEAR ASS'Y	103
F06030	BRAKE	105
F07030	PTO DRIVE SHAFT	107
F07070	P.T.O SHAFT	109
F08060	FORK, PTO SHIFT	111
F10010	CASE, HYD CYLINDER	113
F10020	LIFT ARM	115
F10030	SAFETY VALVE	117
F10040	STOP VALVE	119
F10061	DRAFT/POSITION CONTROL LEVER	121
F10063	DRAFT CONTROL LEVER	123
F10064	POSITION CONTROL LEVER	125
F10120	REAR SCV	127
F10130	BLOCK, REAR	129
F11020	LEVER ASS'Y, RANGE SHIFT	131
F11060	DIFFERENTIAL	133
F11080	4WD LEVER	135

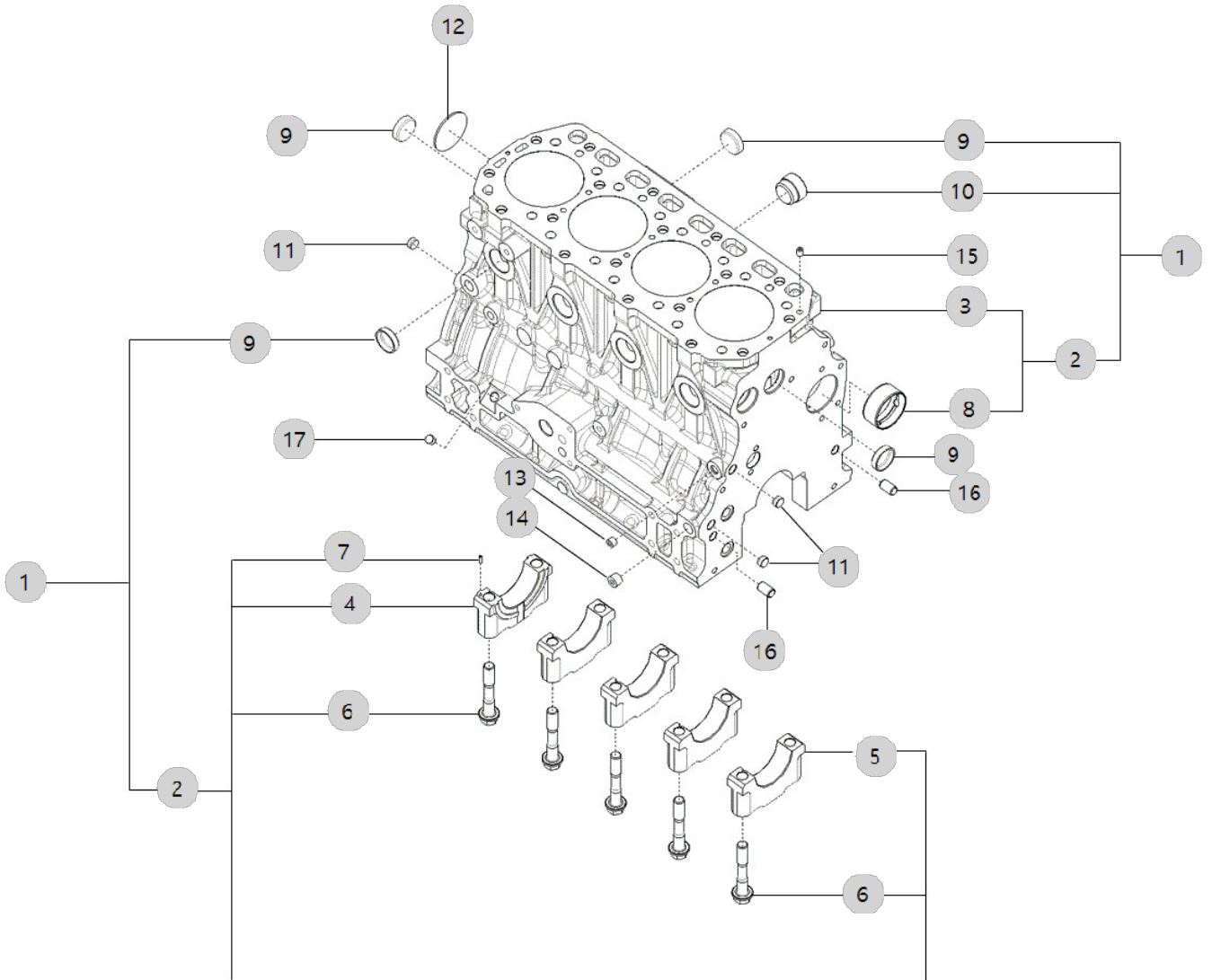
A01_007

A2300N4-UTC_4
(AB00298)

CYLINDER BLOCK

Year/Month

2022-12-15



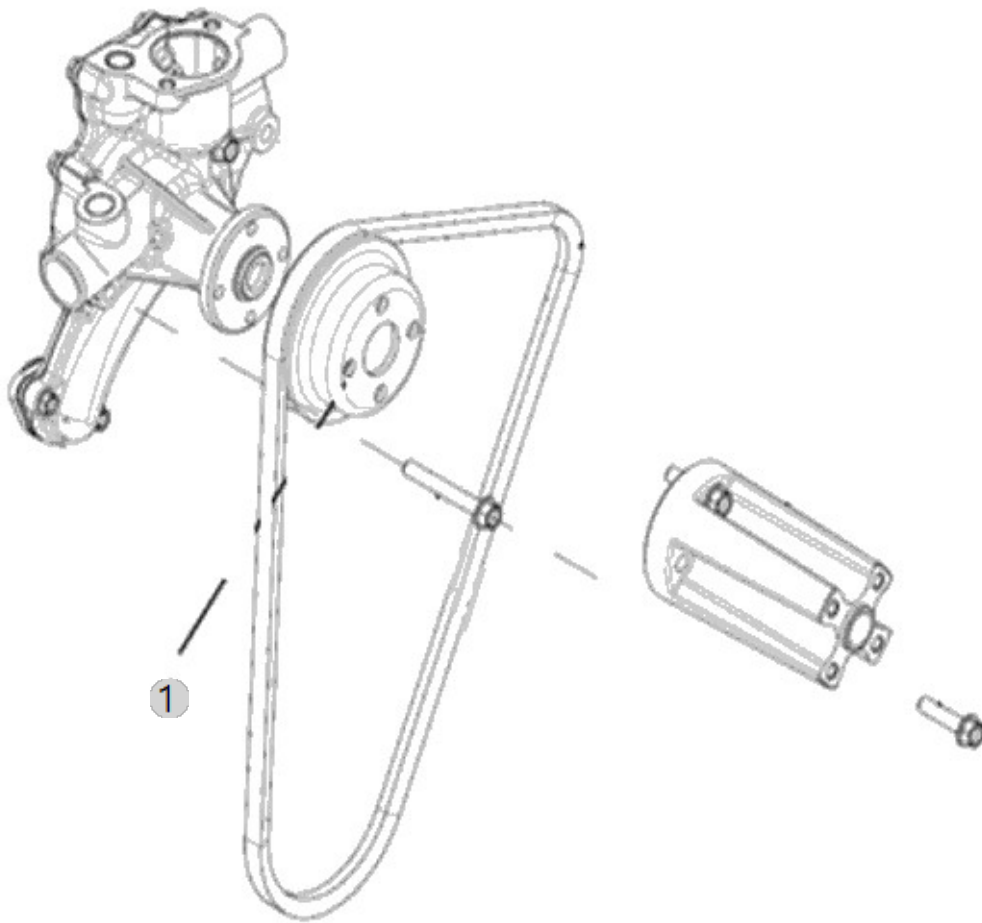
A02_005

A2300N4-UTC_4
(AB00298)

DRIVE PULLY

Year/Month

2022-12-15



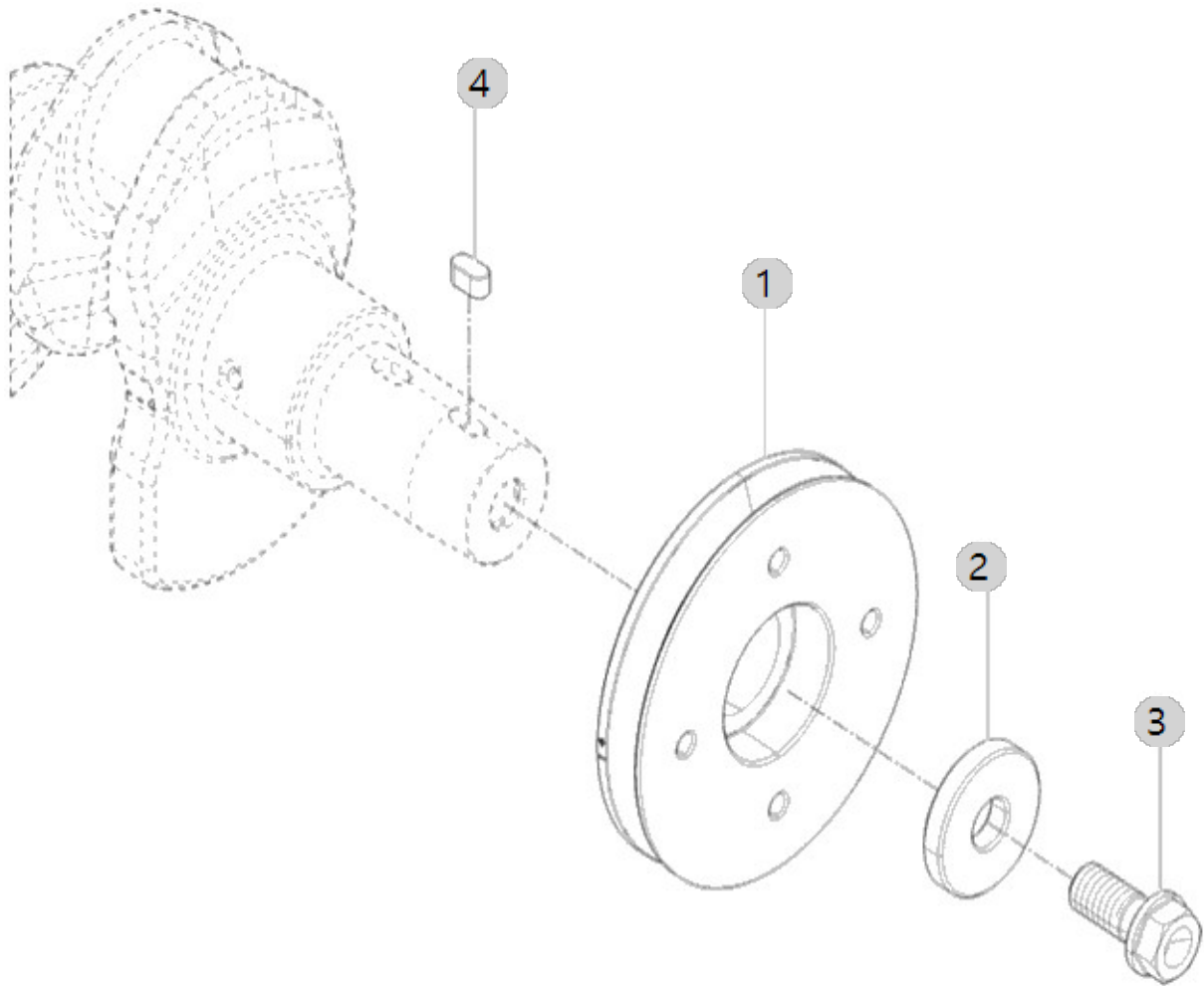
A03_004

A2300N4-UTC_4
(AB00298)

CRANK SHAFT PULLEY

Year/Month

2022-12-15



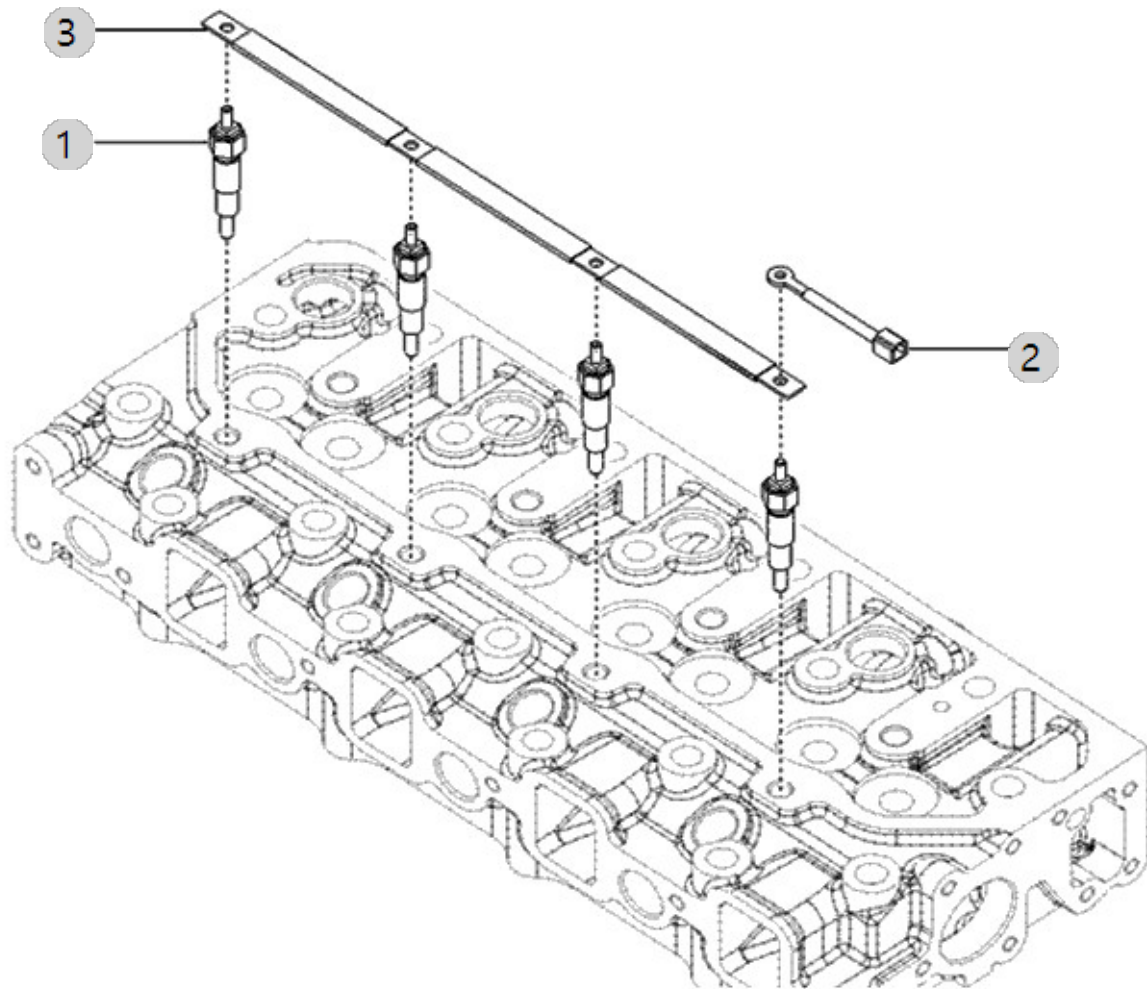
A04_005

A2300N4-UTC_4
(AB00298)

GLOW PLUG ASS'Y OPTION

Year/Month

2022-12-15



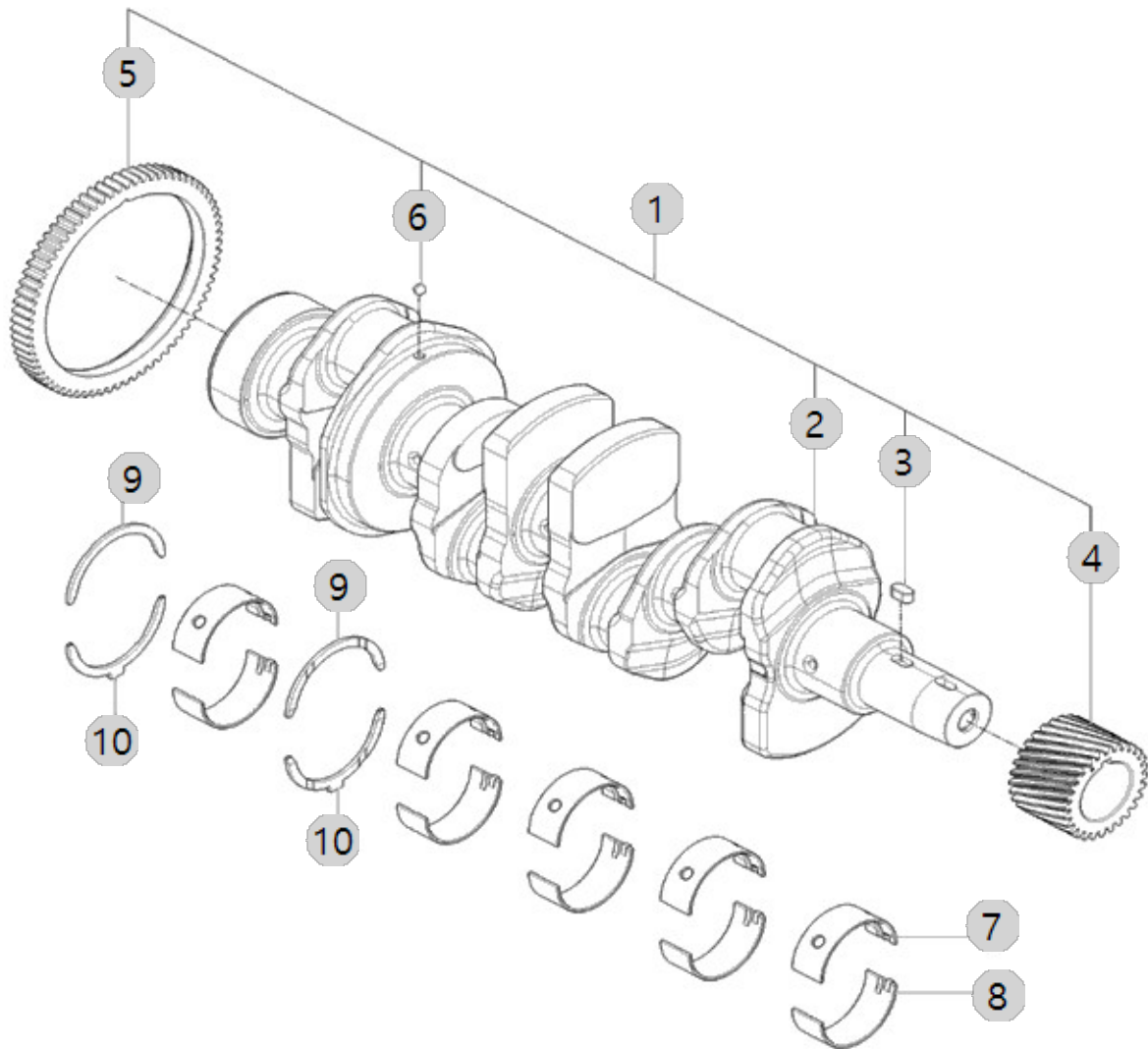
A05_005

A2300N4-UTC_4
(AB00298)

CRANK SHAFT ASS'Y OPTION

Year/Month

2022-12-15



A05_005 A2300N4-UTC_4 (AB00298)	CRANK SHAFT ASS'Y OPTION	Year/Month
		2022-12-15

순번 (NO)	부품번호 (PART NO)	품명 (PART NAME)	품명 (PART NAME)	수량 (QTY)	규격 (SPEC)	비고 (REMARK)
1	EA00004512A	크랭크축조합	CRANKSHAFT ASS'Y	1		
2	HRA0800101D0	크랭크축	CRANKSHAFT	1		
2	HRA0800101E0	크랭크축	CRANKSHAFT	1		
3	22512-070140	230,ALL,슬라이딩키(7*7*14)	KEY, SLIDING (07-14)	1	7X7X14	
4	HRA0800200A3	229,ALL,크랭크기어	GEAR,CRANK SHAFT	1		
5	HRA0800400A3	밸런스구동기어(A)	GEAR,BALANCERDRIVEN	1		
6	24190-080002	강구1/4	Ball, Steel	1	1/4	
7	HRA0100201A3	233,ALL,메인베어링(상)	BEARING,MAIN (UPPER)	5		
8	HRA0100202A3	234,ALL,메인베어링(하)	BEARING,MAIN (LOWER)	5		
9	HRA0100301A3	236,ALL,슬러스트베어링(상)	THRUST BEARING,CRANKSHAFT (UPPER)	2		
10	HRA0100302A3	237,ALL,슬러스트베어링(하)	THRUST BEARING,CRANKSHAFT (LOWER)	2		

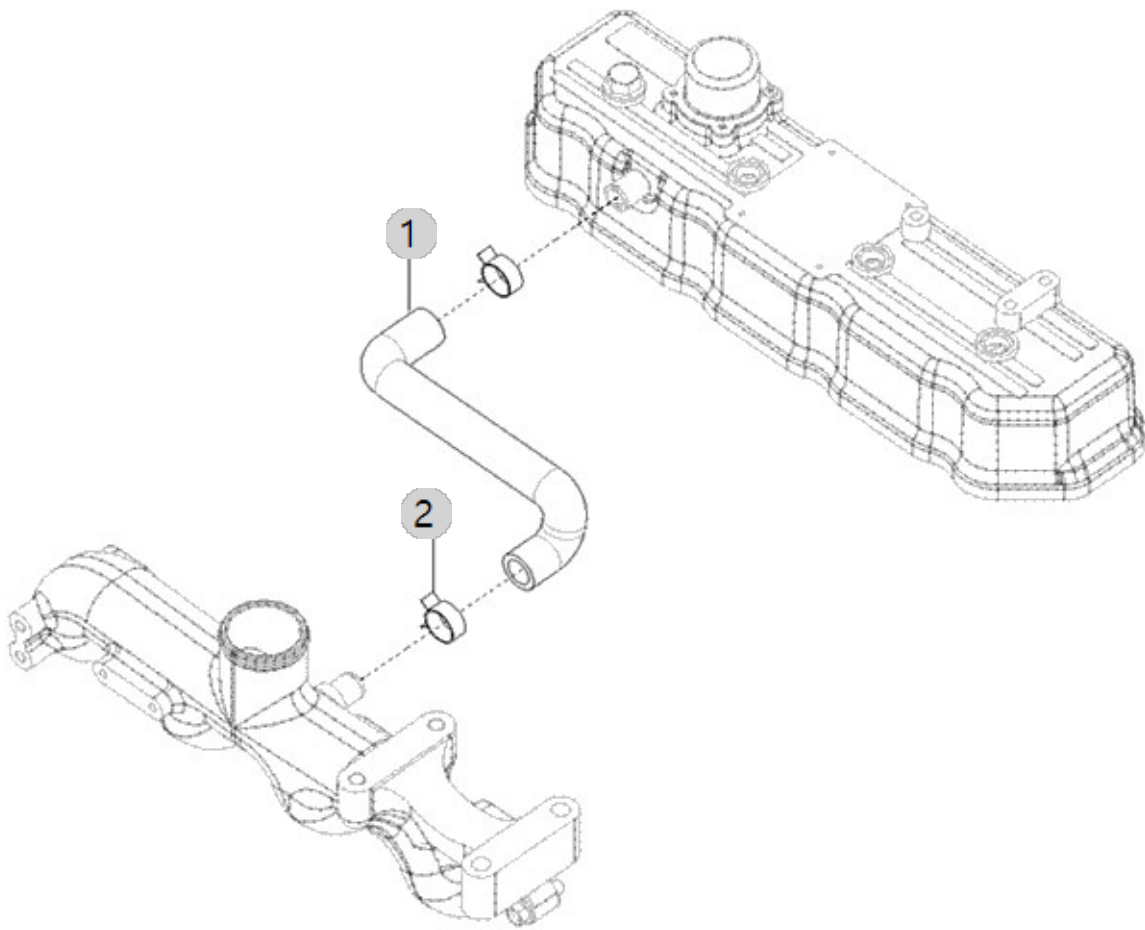
A06_004

A2300N4-UTC_4
(AB00298)

BREATHER OPTION

Year/Month

2022-12-15



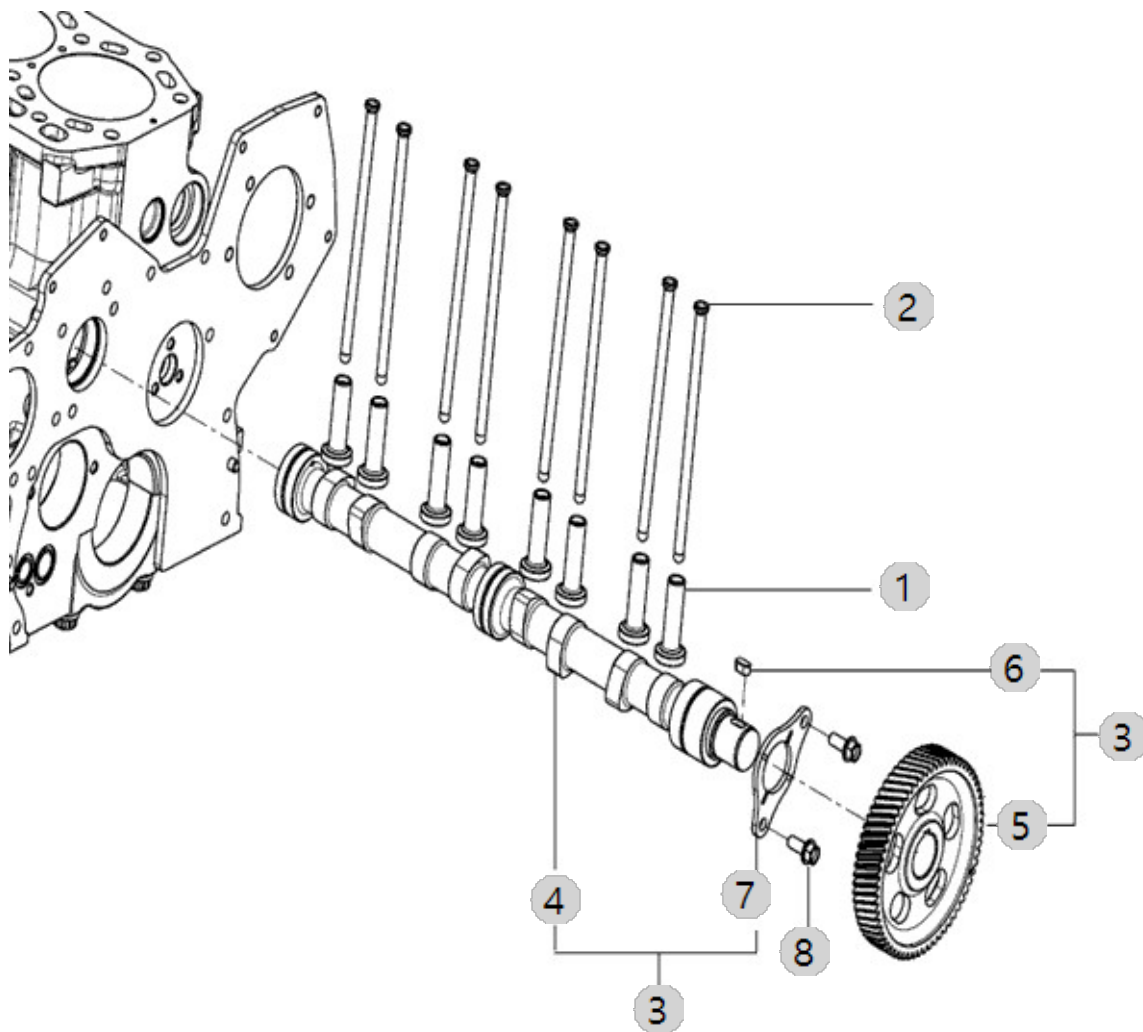
A07_005

A2300N4-UTC_4
(AB00298)

CAMSHAFT

Year/Month

2022-12-15



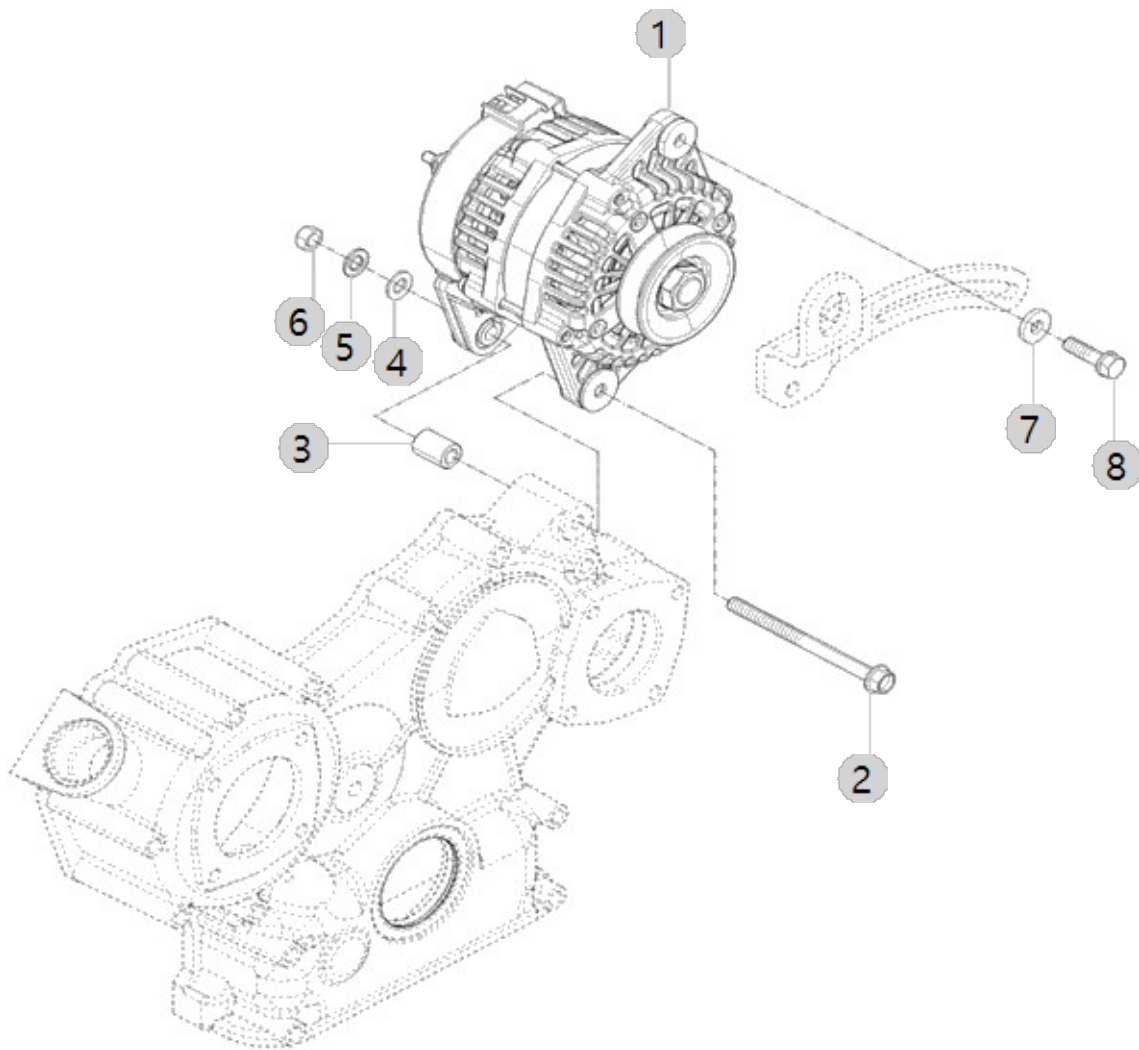
A08_006

A2300N4-UTC_4
(AB00298)

ALTERNATOR

Year/Month

2022-12-15



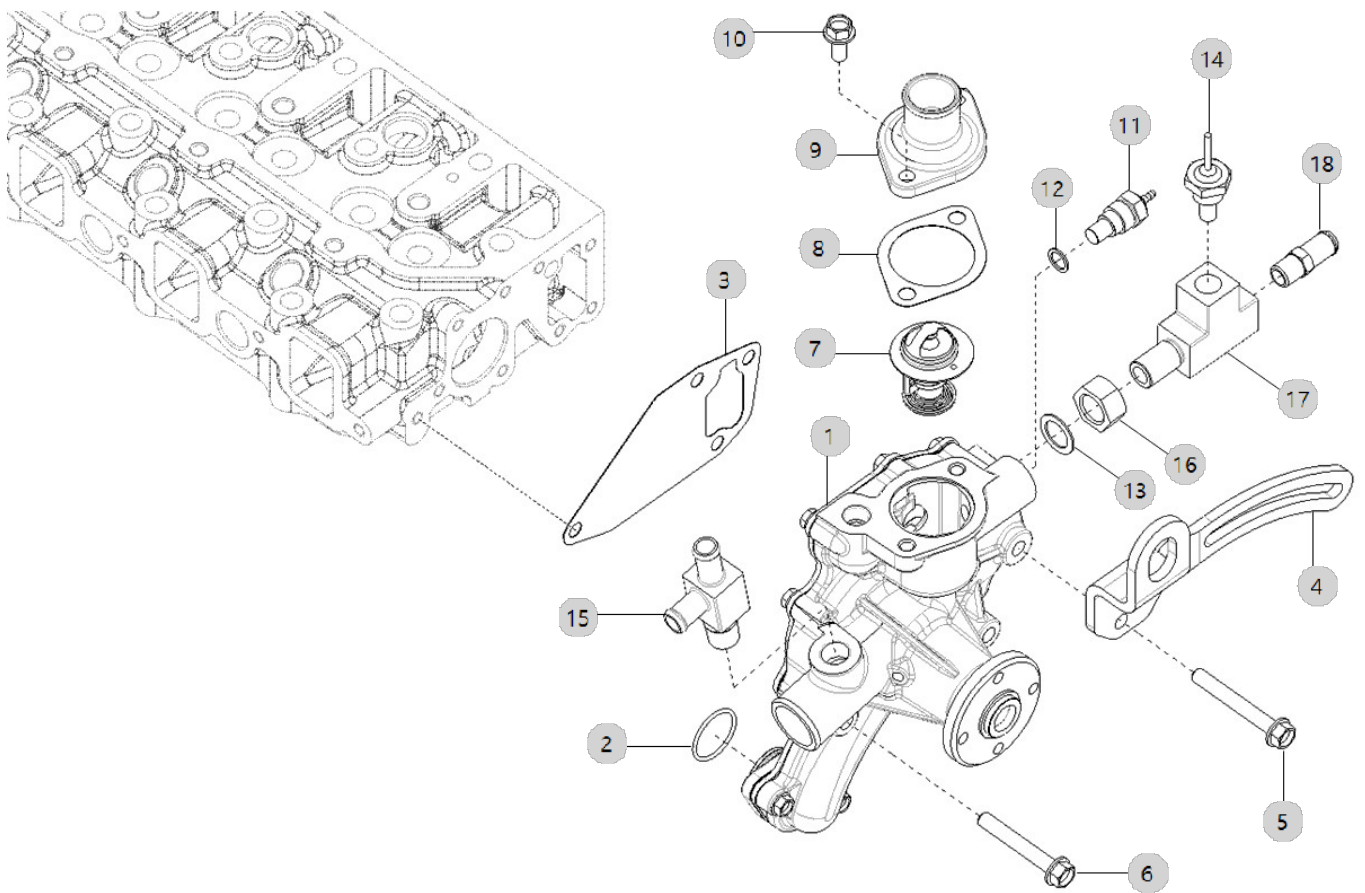
A09_007

A2300N4-UTC_4
(AB00298)

COOLING WATER PUMP

Year/Month

2022-12-15



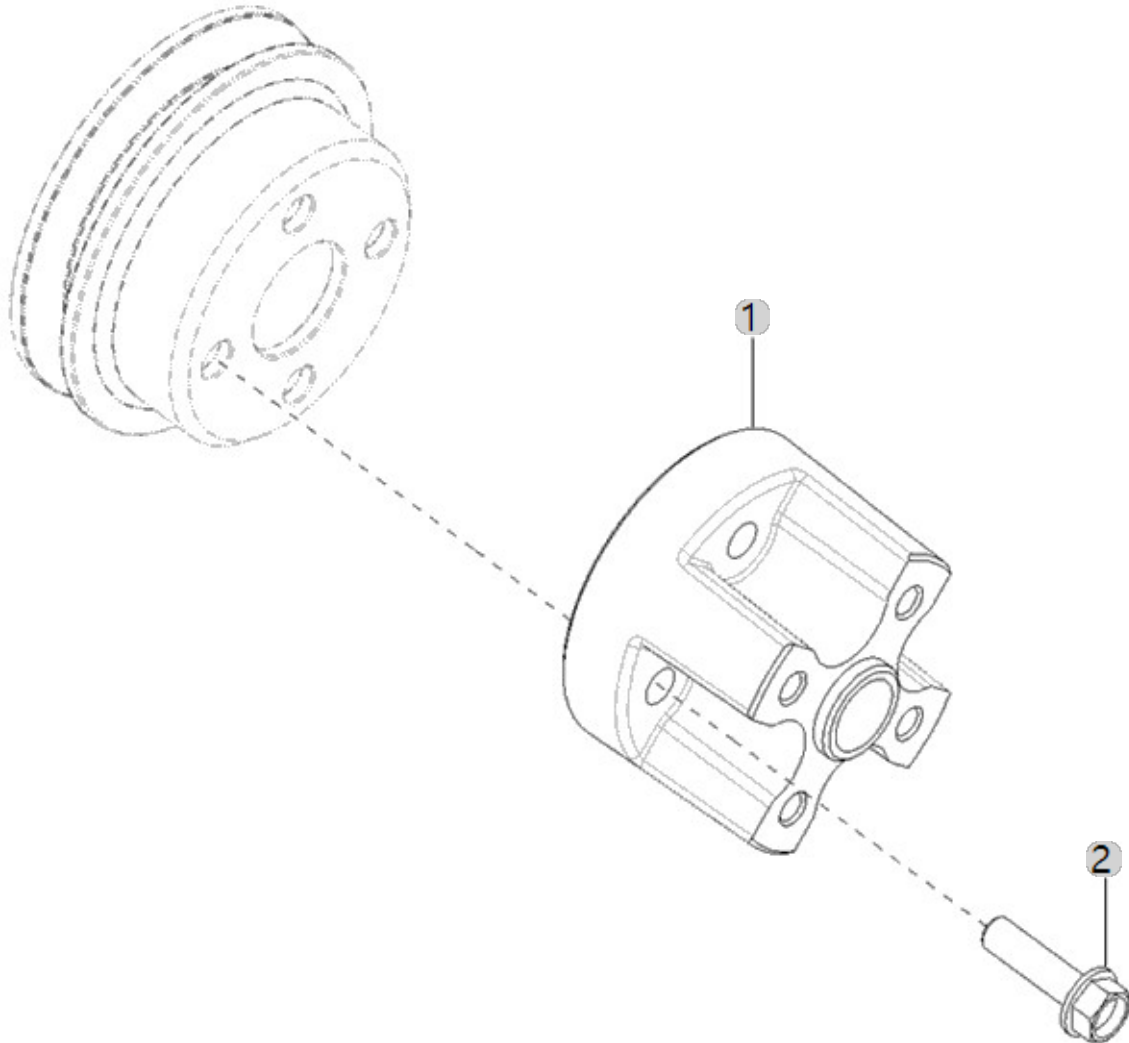
A10_010

A2300N4-UTC_4
(AB00298)

COOLING FAN SPACER

Year/Month

2022-12-15



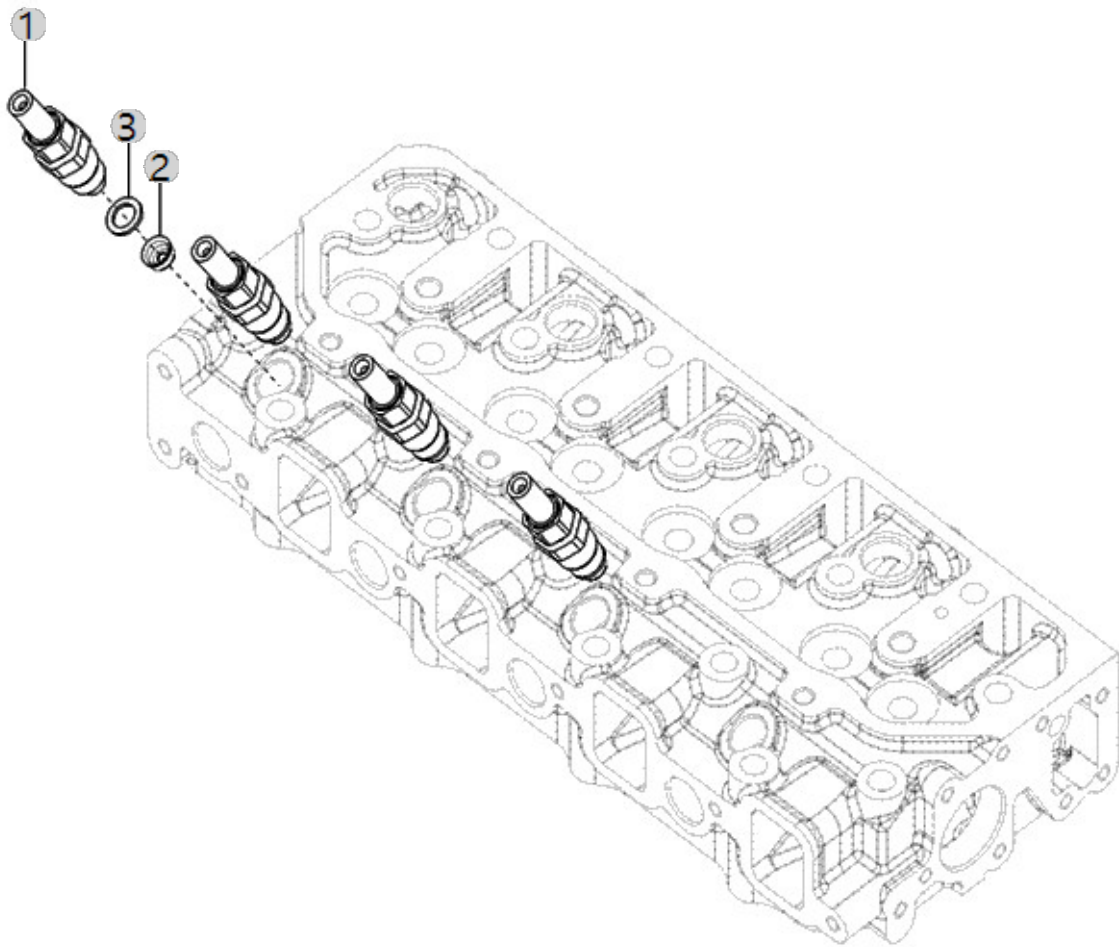
A11_007

A2300N4-UTC_4
(AB00298)

INJECTOR

Year/Month

2022-12-15



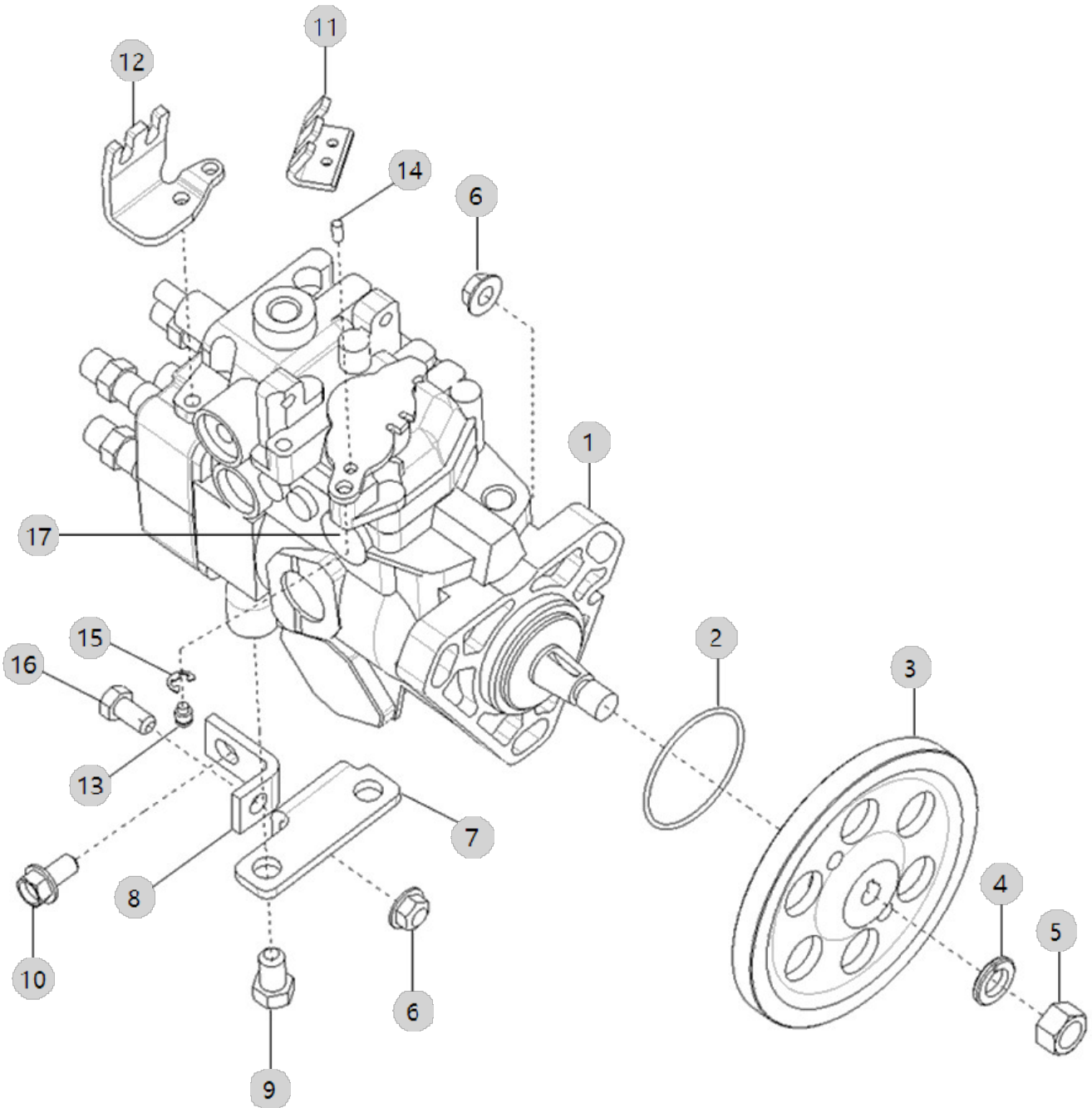
A12_014

A2300N4-UTC_4
(AB00298)

FUEL INJECTOR

Year/Month

2022-12-15



A12_014 A2300N4-UTC_4 (AB00298)	FUEL INJECTON	Year/Month
		2022-12-15

순번 (NO)	부품번호 (PART NO)	품 명 (PART NAME)	품 명 (PART NAME)	수량 (QTY)	규격 (SPEC)	비고 (REMARK)
1	EA00002882B	연료분사펌프조합	FUEL INJECTION PUMP	1		
1	EA00002882A	연료분사펌프조합 - 트랙	FUEL INJECTION PUMP	1		
2	24311-000500	O링	O-RING, DYNAMIC (Φ50)	1	P50	
3	HRA070080DC3	연료분사펌프기어	GEAR,FUEL PUMP	1		
3	HRA070080DB3	연료분사펌프기어	GEAR,FUELPUMP	1		
4	22217-120000	스프링와셔	WASHER, SPRING (Φ 12)	1	M12	
5	26716-120002	295,ALL,육각너트	HEXA NUT295	1	M12X1.75	
6	26367-080002	259, 육각플랜지너트	HEX FLANGE NUT (Φ8)	4	M8XP1.25	
7	HRA130020DA4	296,A202322,VE지지브라켓(A)	BRACKET(B),PUMP	1	T 4.5	
7	HRA130020DB4	VE지지브라켓(A)	BRACKET,PUMP	1	T 4.5	
8	HRA130030DA4	297,A202322,VE지지브라켓(B)	BRACKET(A),PUMP	1	T 4.5	
8	HRA130030DB4	VE지지브라켓(B)	BRACKET,PUMP	1	T 4.5	
9	26116-100162	육각보울트	SCREW,HEXAGONHEADCAP	2	M10X1.5X16	
10	26106-080162	플랜지볼트8X16	SCREW,HEXFLANGEHEADCAP	1	M8XP1.25X16	
11	EA00004970A	후크-엑셀레버	LEVER, HOOK,ACCEL	1		
11	EA00004970B	후크-엑셀레버	LEVER, HOOK,ACCEL	1		
12	EA00006027A	써포트(엑셀레버)	SUPPORT(ACCELERATOR LEVER)	1	T4.0	
12	EA00006027B	써포트(엑셀레버)	SUPPORT(ACCELERATOR LEVER)	1	T4.0	
13	HRA1300702A9	고정핀	PIN	1		
14	EA00002103A	핀	PIN	1	N4	
15	22272-000050	E형스냅링5	RING, CIRCLIP (Φ 05)	1	D5	
16	26116-080162	육각볼트	SCREW,HEXAGONHEADCAP	1	M8X1.25X16	
17	EA00003768A	픽업센서	PICKUP SENSOR	1		

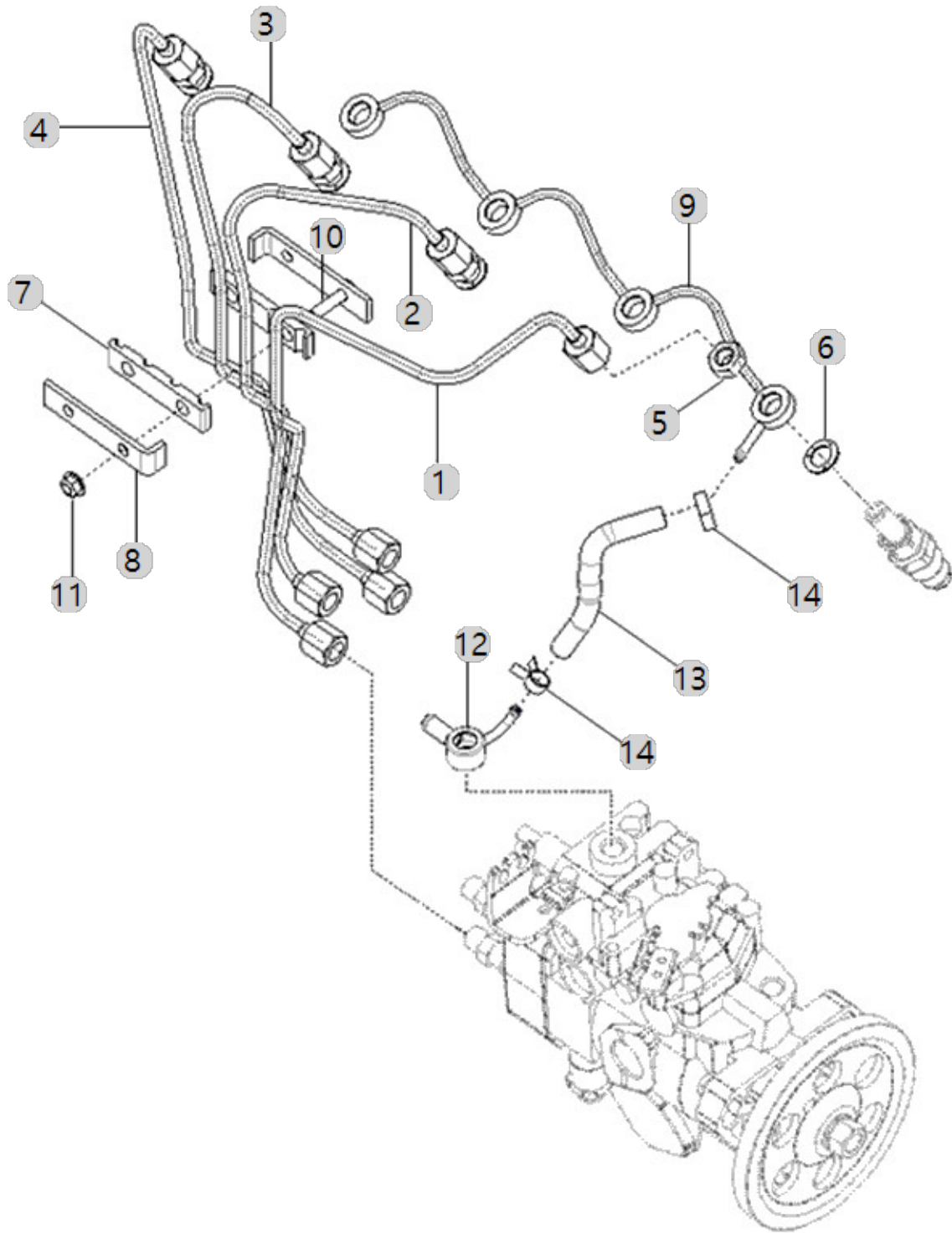
A13_005

A2300N4-UTC_4
(AB00298)

PLUMBING, FUEL

Year/Month

2022-12-15



A13_005 A2300N4-UTC_4 (AB00298)		PLUMBING, FUEL				Year/Month 2022-12-15
순번 (NO)	부품번호 (PART NO)	품명 (PART NAME)	품명 (PART NAME)	수량 (QTY)	규격 (SPEC)	비고 (REMARK)
1	HRA150050DB0	299,A202322,연료파이프조합(A)	PIPE ASSY, FUEL SUPPLY A	1		
1	HRA150050DC0	연료파이프조합(A)	TUBE,INJECTOR FUEL SUPPLY	1		
1	HRA150050DB0	299,A202322,연료파이프조합(A)	PIPE ASSY, FUEL SUPPLY A	1		
1	HRA150050DB0	299,A202322,연료파이프조합(A)	PIPE ASSY, FUEL SUPPLY A	1		
2	HRA150060DB0	300,A202322,연료파이프조합(B)	PIPE ASSY, FUEL SUPPLY (B)	1		
2	HRA150060DB0	300,A202322,연료파이프조합(B)	PIPE ASSY, FUEL SUPPLY (B)	1		
2	HRA150060DB0	300,A202322,연료파이프조합(B)	PIPE ASSY, FUEL SUPPLY (B)	1		
2	HRA150060DC0	연료파이프조합(B)	TUBE,INJECTOR FUEL SUPPLY	1		
3	HRA150070DC0	연료파이프조합(C)	TUBE,INJECTOR FUEL SUPPLY	1		
3	HRA150070DB0	301,A202322,연료파이프조합(C)	PIPE ASSY, FUEL SUUPPLY C	1		
3	HRA150070DB0	301,A202322,연료파이프조합(C)	PIPE ASSY, FUEL SUUPPLY C	1		
3	HRA150070DB0	301,A202322,연료파이프조합(C)	PIPE ASSY, FUEL SUUPPLY C	1		
4	HRA150080DB0	302,A202322,연료파이프조합(D)	PIPE ASSY, FUEL SUPPLY D	1		
4	HRA150080DC0	연료파이프조합(D)	TUBE,INJECTOR FUEL SUPPLY	1		
4	HRA150080DB0	302,A202322,연료파이프조합(D)	PIPE ASSY, FUEL SUPPLY D	1		
4	HRA150080DB0	302,A202322,연료파이프조합(D)	PIPE ASSY, FUEL SUPPLY D	1		
5	HK13450000A4	육각고정너트	NUT,REGULARHEXAGON	4	M12X1.5	
5	HK13450000A4	육각고정너트	NUT,REGULARHEXAGON	4	M12X1.5	
5	HK13450000A4	육각고정너트	NUT,REGULARHEXAGON	4	M12X1.5	
5	HK13450000A4	육각고정너트	NUT,REGULARHEXAGON	4	M12X1.5	
6	HK13440000A4	306,ALL,패킹(조인트)(와류실)	GASKET,FUELMANIFOLD	4		
6	HK13440000A4	306,ALL,패킹(조인트)(와류실)	GASKET,FUELMANIFOLD	4		
6	HK13440000A4	306,ALL,패킹(조인트)(와류실)	GASKET,FUELMANIFOLD	4		
6	HK13440000A4	306,ALL,패킹(조인트)(와류실)	GASKET,FUELMANIFOLD	4		
7	HRA1502700A4	462,ALL,브래킷고무	RUBBER,BRACKET	2		
7	HRA1502700A4	462,ALL,브래킷고무	RUBBER,BRACKET	2		
7	HRA1502700A4	462,ALL,브래킷고무	RUBBER,BRACKET	2		
7	HRA1502700A4	462,ALL,브래킷고무	RUBBER,BRACKET	2		
8	HRA1502800A4	브래킷판	CLAMP,TUBE	1	T 3.2	
8	HRA1502800A4	브래킷판	CLAMP,TUBE	1	T 3.2	
8	HRA1502800A4	브래킷판	CLAMP,TUBE	1	T 3.2	
8	HRA1502800A4	브래킷판	CLAMP,TUBE	2	T 3.2	
8	HRA1502800B4	브래킷판	CLAMP,TUBE	2	T 3.2	
9	HRA1500900D3	퇴유파이프조합	PIPE ASSY, FUEL	1		
9	HRA1500900C3	퇴유파이프조합	PIPE ASSY, FUEL RETURN	1		
9	HRA1500900C3	퇴유파이프조합	PIPE ASSY, FUEL RETURN	1		
9	HRA1500900C3	퇴유파이프조합	PIPE ASSY, FUEL RETURN	1		
10	HRA1502600B4	브래킷(연료파이프)	BRACKET,PIPE	1		
10	HRA1502600B4	브래킷(연료파이프)	BRACKET,PIPE	1		
10	HRA1502600B4	브래킷(연료파이프)	BRACKET,PIPE	1		
10	HRA1502600B4	브래킷(연료파이프)	BRACKET,PIPE	1		
11	26367-060002	플랜지너트	Nut, Hexa (Φ6)	2	M6XP1.0	
11	26367-060002	플랜지너트	Nut, Hexa (Φ6)	2	M6XP1.0	
11	26367-060002	플랜지너트	Nut, Hexa (Φ6)	2	M6XP1.0	
11	26367-060002	플랜지너트	Nut, Hexa (Φ6)	2	M6XP1.0	

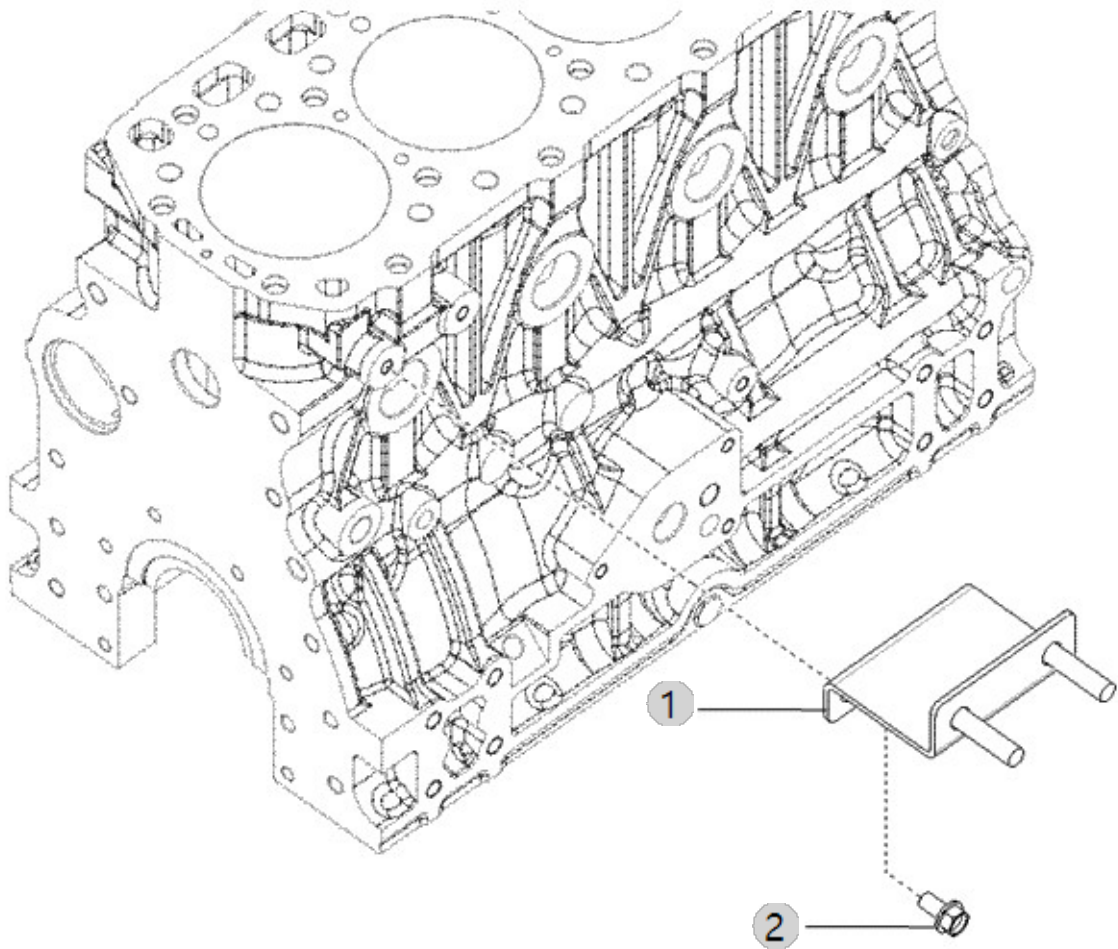
A14_003

A2300N4-UTC_4
(AB00298)

FUEL FILTER BRACKET

Year/Month

2022-12-15



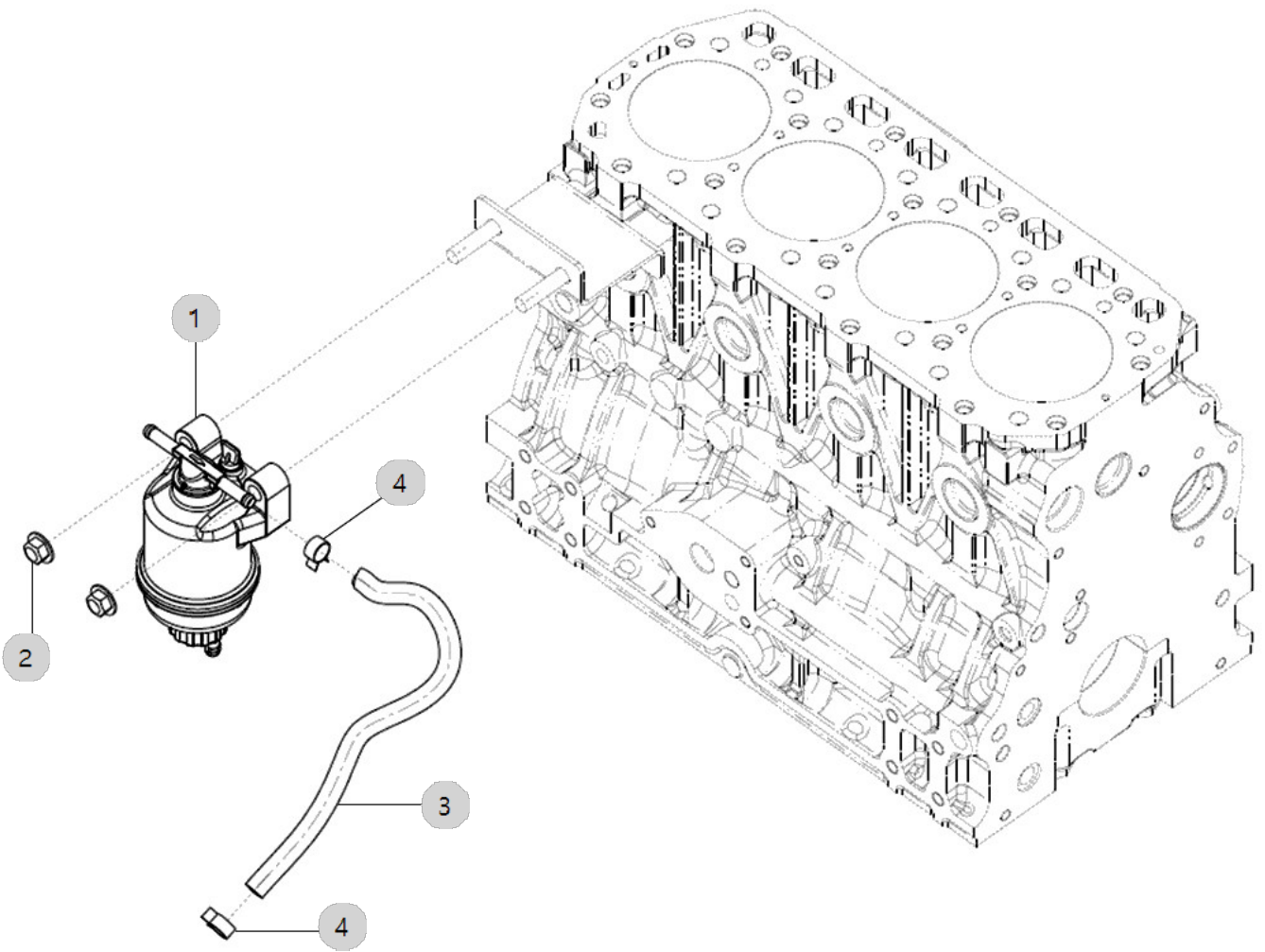
A16_018

A2300N4-UTC_4
(AB00298)

FUEL FILTER ASS'Y OPTION

Year/Month

2022-12-15



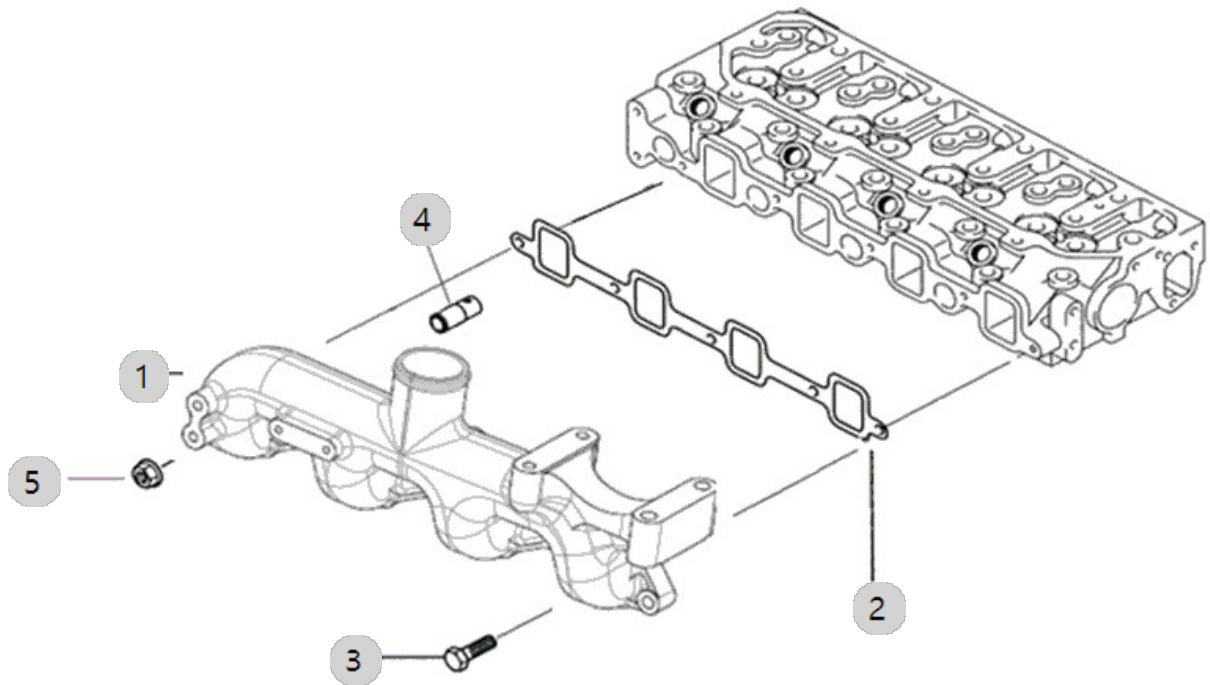
A17_012

A2300N4-UTC_4
(AB00298)

INTAKE MANIFOLD ASS'Y OPTION

Year/Month

2022-12-15



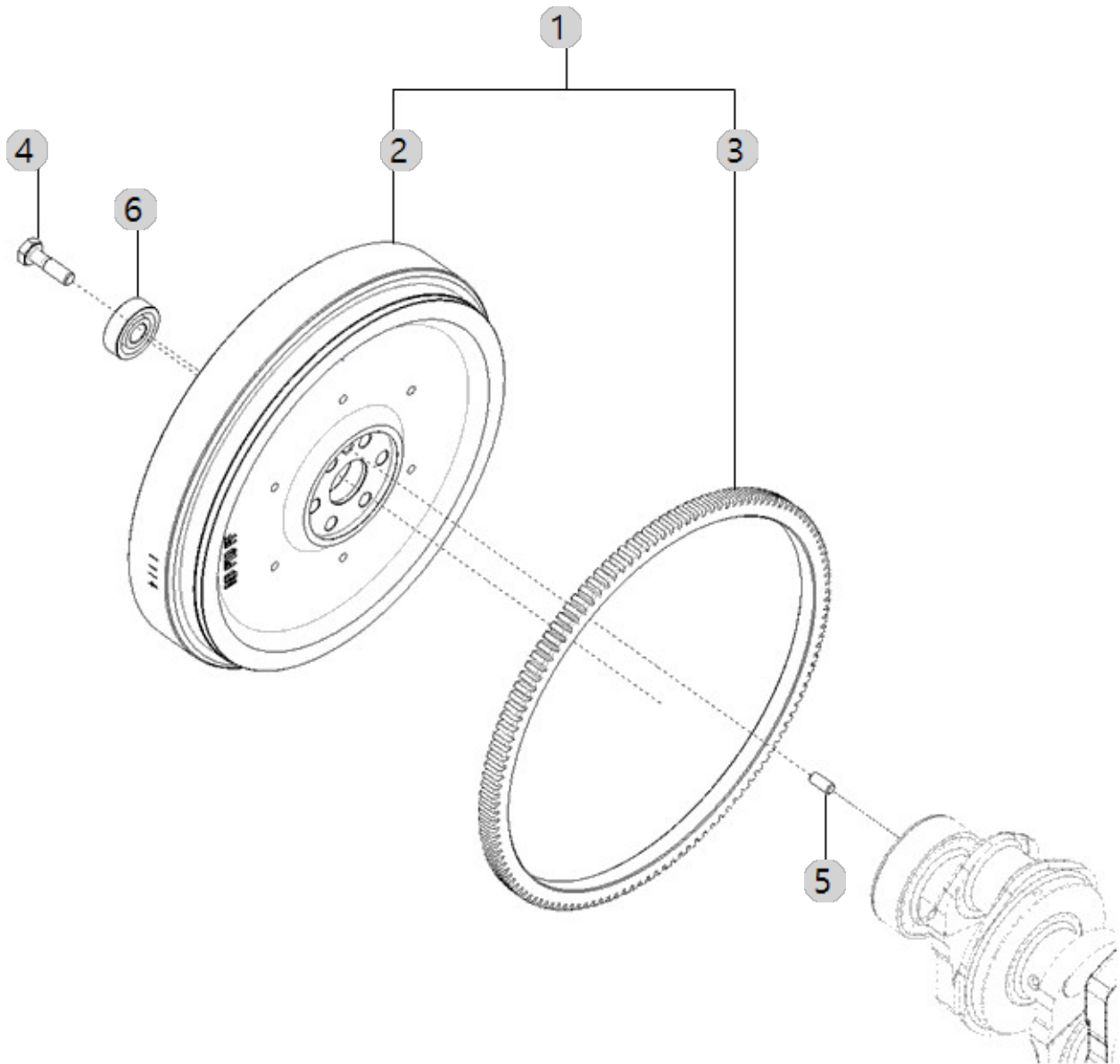
A18_011

A2300N4-UTC_4
(AB00298)

FLYWHEEL

Year/Month

2022-12-15



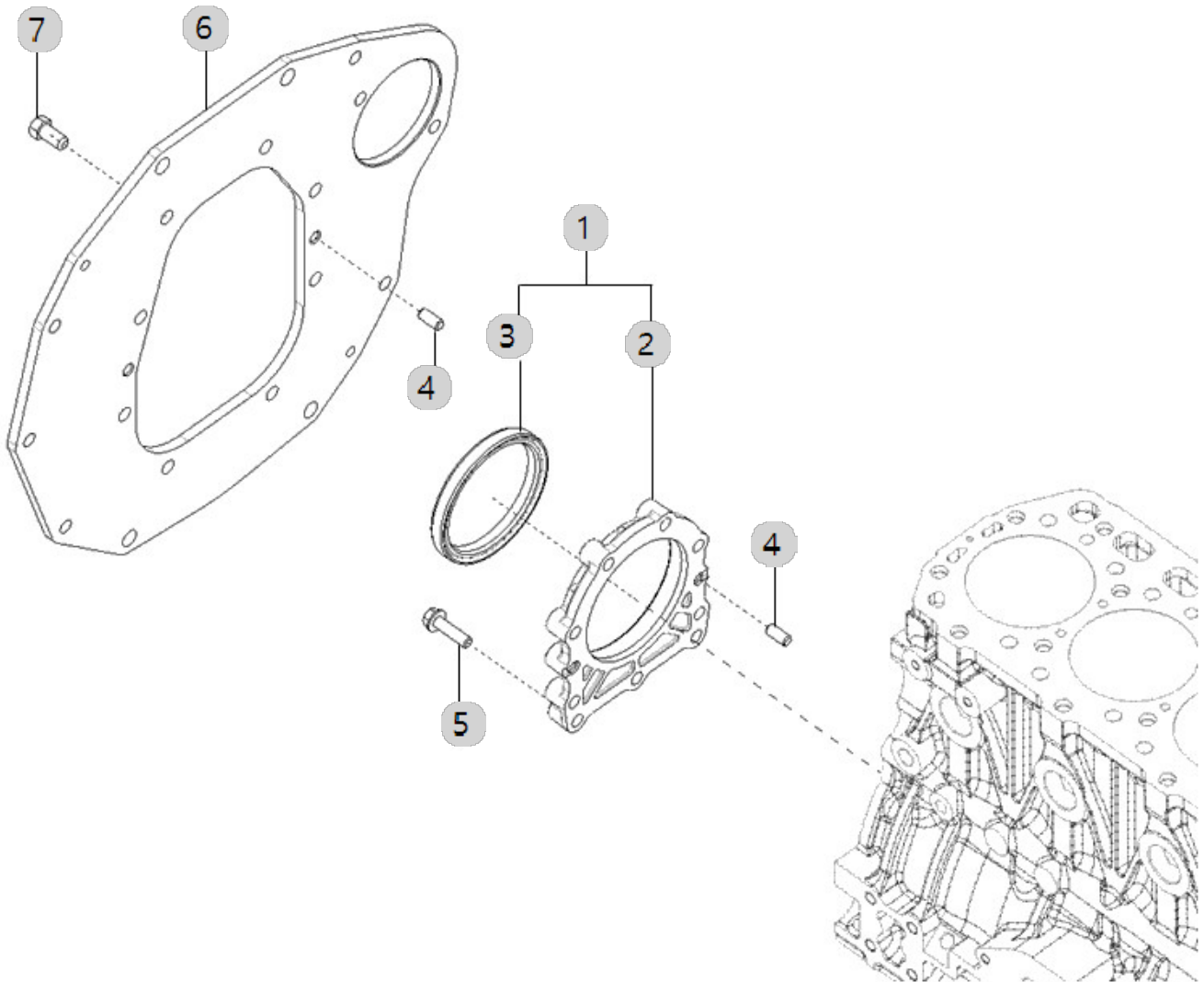
A19_007

A2300N4-UTC_4
(AB00298)

FLYWHEEL HOUSING

Year/Month

2022-12-15



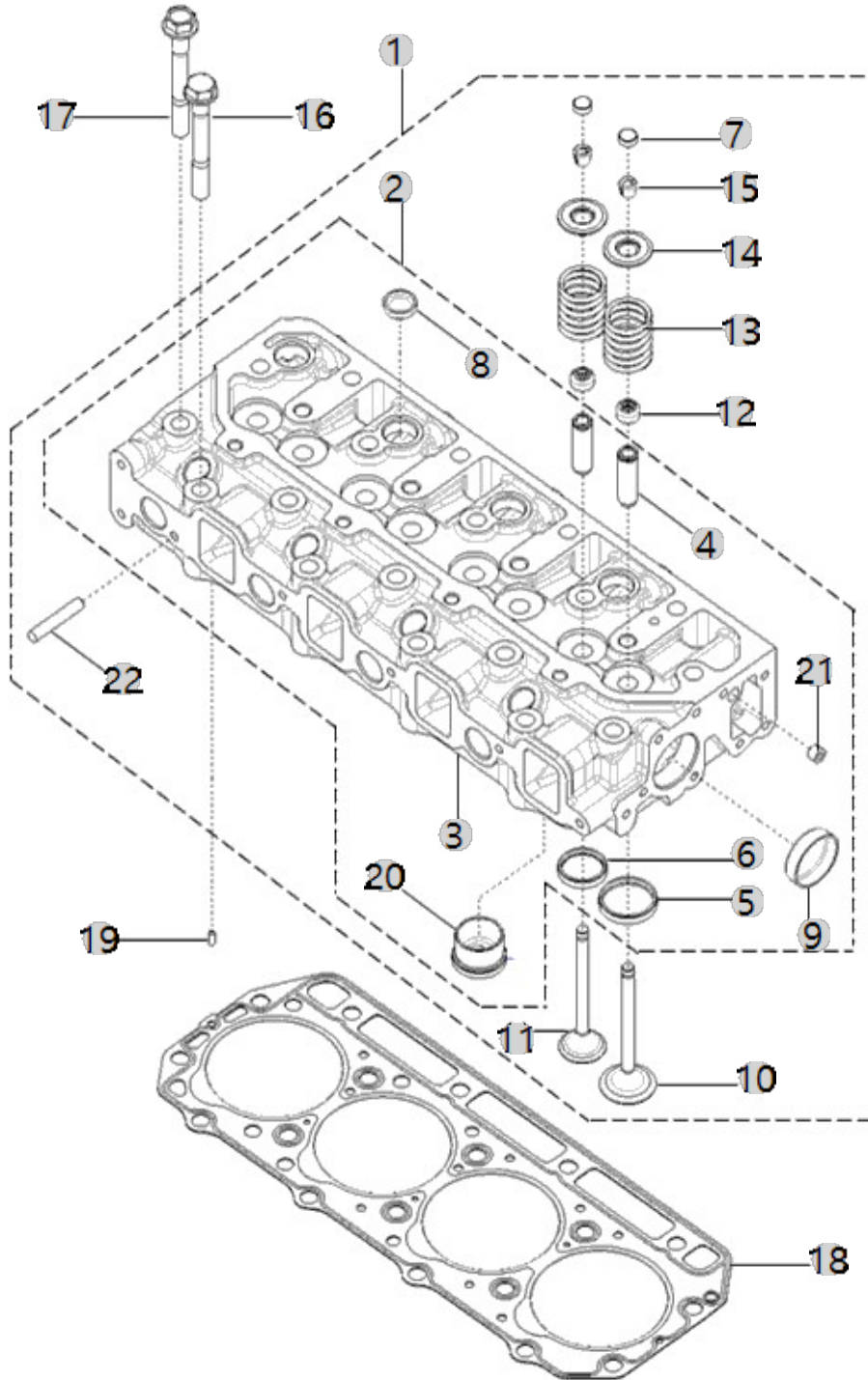
A20_010

A2300N4-UTC_4
(AB00298)

HEAD, CYLINDER

Year/Month

2022-12-15



A20_010 A2300N4-UTC_4 (AB00298)		HEAD, CYLINDER				Year/Month
						2022-12-15
순번 (NO)	부품번호 (PART NO)	품명 (PART NAME)	품명 (PART NAME)	수량 (QTY)	규격 (SPEC)	비고 (REMARK)
1	EA00005930A	실린더헤드조합-A2300N4-KTR_4	CYLINDER HEAD ASSY	1		
2	EA00005931A	실린더헤드조합	CYLINDER HEAD ASSY	1		
3	EA00005932A	실린더헤드	CYLINDER HEAD	1		
4	HRA0400103C4	배기밸브가이드	GUIDEVALVE STEM	8	D13/D8	
5	HRA0400104B4	흡기밸브시트	SEAT,ENGINEINTAKEVALVE	4		
6	HRA0400105B4	배기밸브시트	SEAT,ENGINE EXHAUST VALVE	4		
7	HK03680000B4	344,ALL, 밸브캡	CAP,VALVE	8		
8	27241-220000	캡형플러그 22	PLUG,EXPANSION	8		
9	27241-400000	캡형플러그 40 (335,ALL,PLUG40)	PLUG (D40)	2		
10	HRA0400200A4	337,ALL, 흡기밸브	VALVE,INTAKE	4		
11	HRA0400300A4	338,ALL, 배기밸브	VALVE,EXHAUST	4		
12	HA03070000A4	340,ALL, 밸브축시일	SEAL,VALVESTEM	8		
13	HRA0400700A4	341,ALL, 밸브스프링	SPRING,VALVE	8		
14	HRA0400800A4	342,ALL, 밸브스프링리테이너	RETAINER,VALVESPRING	8		
15	HRA0400900A4	343,ALL, 밸브스프링코터	COTTER,VALVE	16		
16	HRA0100700A4	347,ALL, 볼트(실린더헤드)	SCREW,HEXFLANGEHEADCAP	4	M11X1.5X92	
17	HRA0100500A4	실린더헤드 볼트	SCREW,HEXFLANGEHEADCAP	14	M11X1.5	
18	HRU0100400B2	헤드개스킷	GASKET,CYLINDER HEAD	1	T1.28	
19	22312-040100	평행핀	PIN, DOWEL (4-10)	2	D4X10	
20	EA00005449A	예연소실(T5)	PRE-CHAMBER	4		
21	23871-010000	테이퍼플러그	PLUG	1	PT1/8	
22	26216-080352	심음볼트(1.5D)	BOLT, STUD 8 X 35	1	M8X1.25X35	

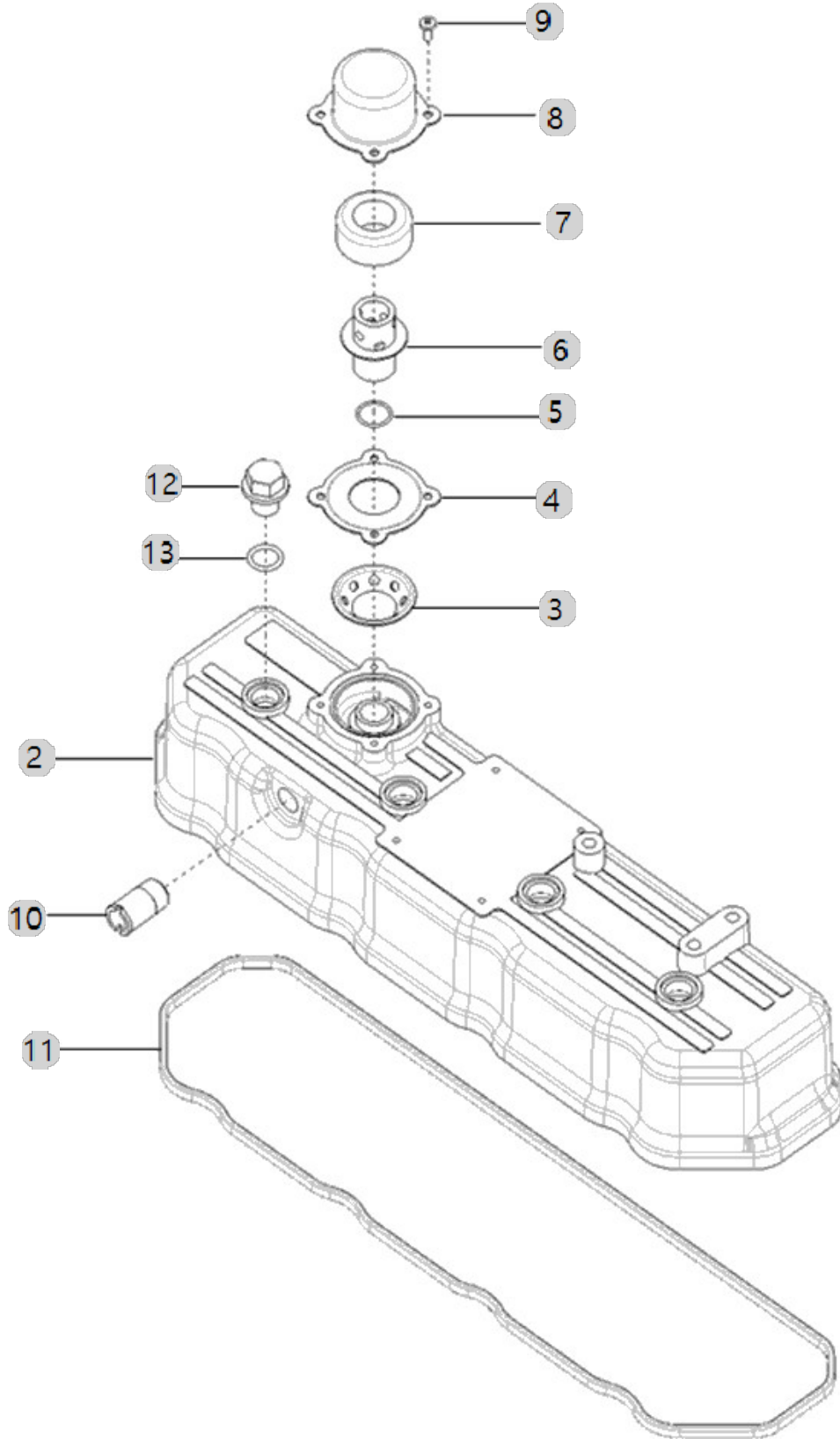
A21_004

A2300N4-UTC_4
(AB00298)

HEAD COVER

Year/Month

2022-12-15



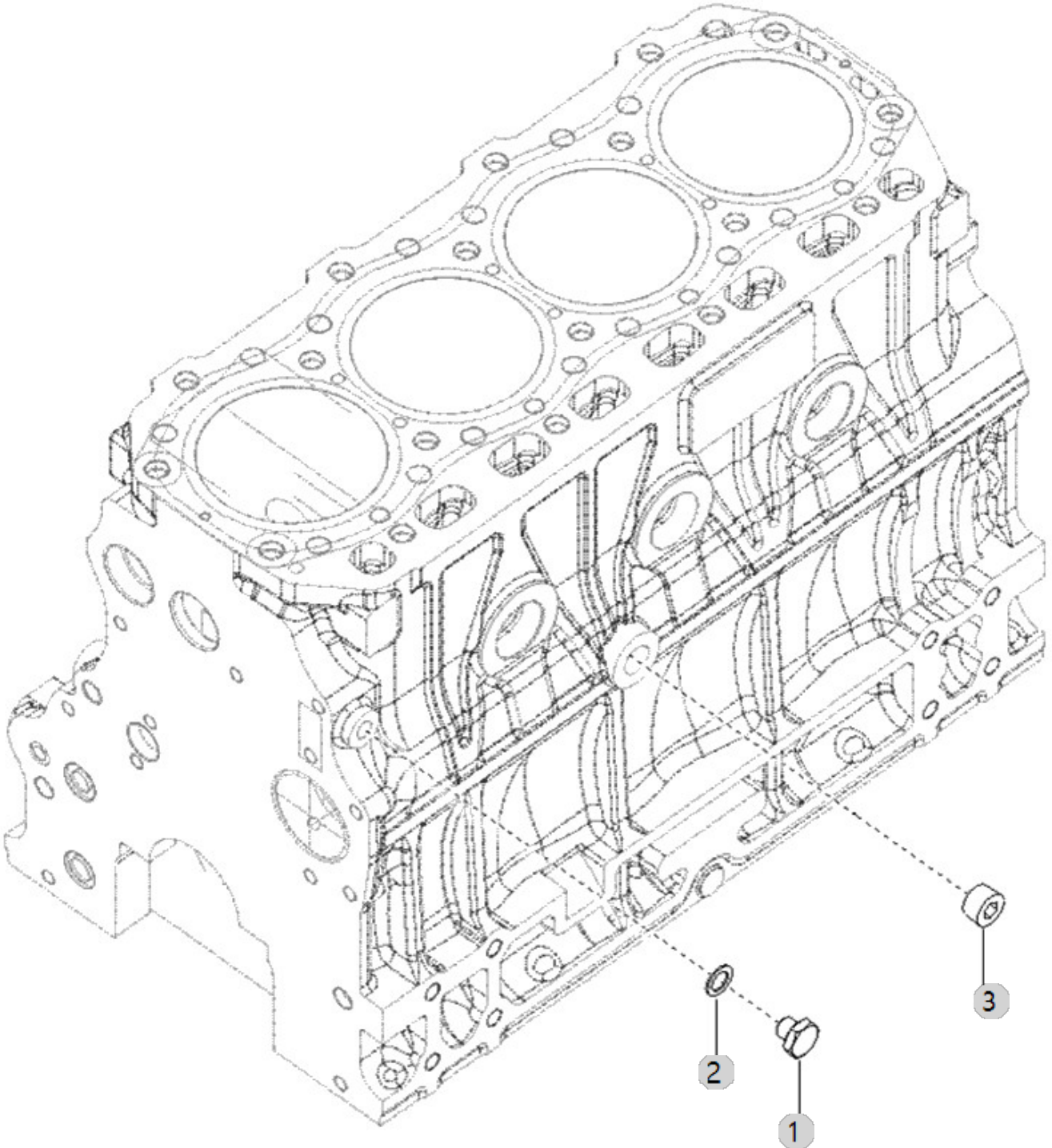
A23_009

A2300N4-UTC_4
(AB00298)

TURBOCHARGER SUPPORT ASS'Y OPTION

Year/Month

2022-12-15



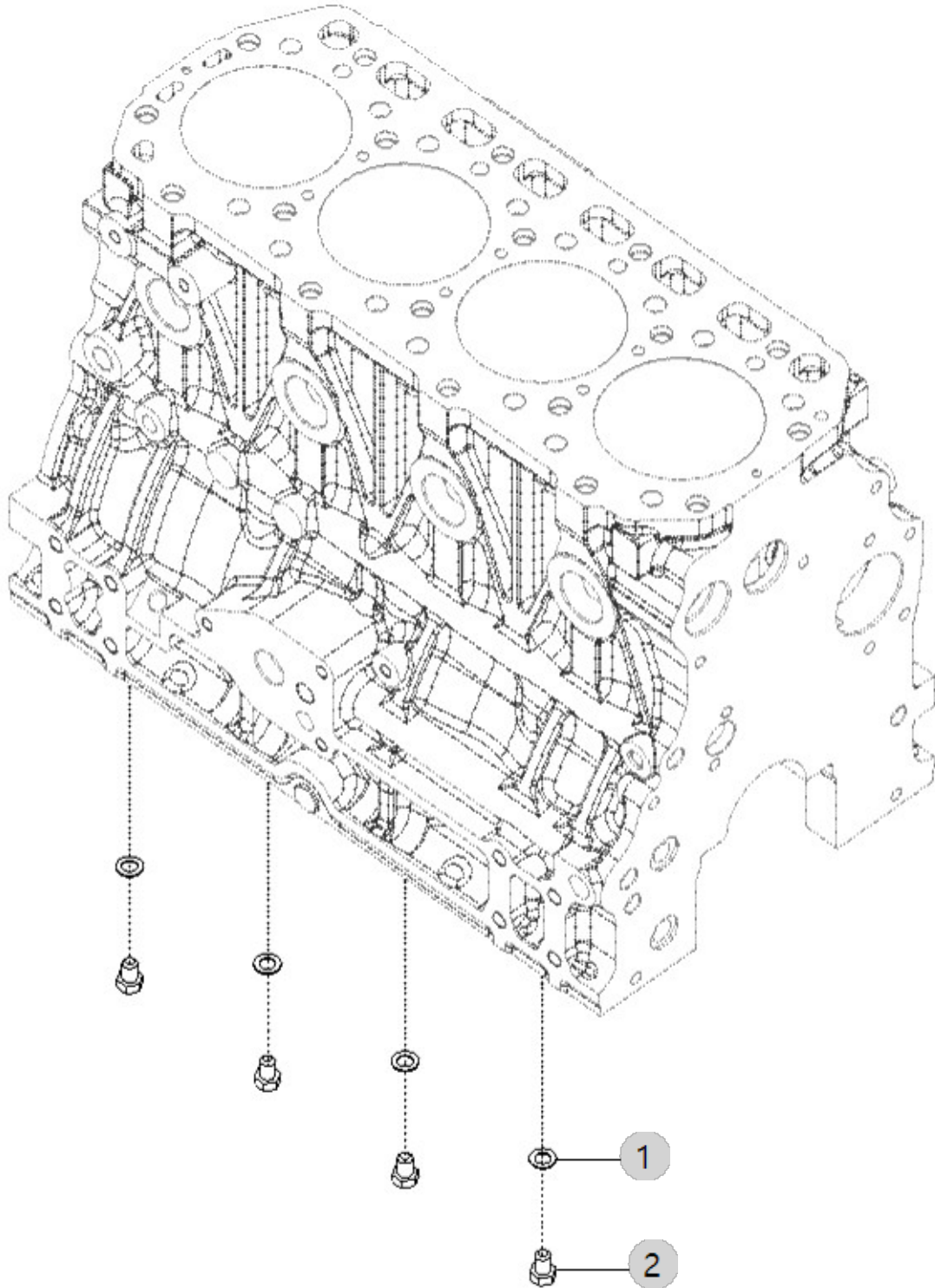
A25_002

A2300N4-UTC_4
(AB00298)

OIL JET ASS'Y OPTION

Year/Month

2022-12-15



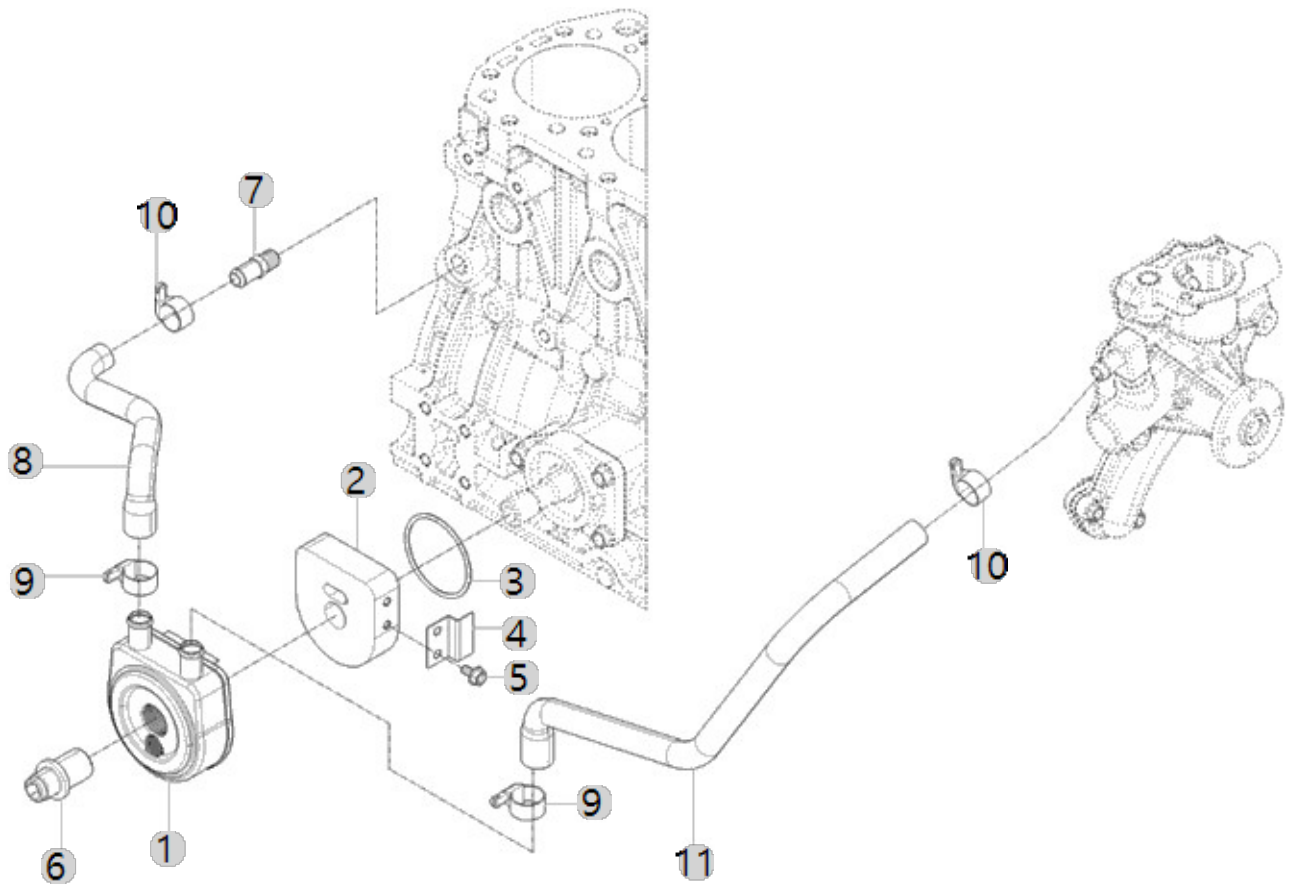
A26_005

A2300N4-UTC_4
(AB00298)

COOLER, ENGINE OIL

Year/Month

2022-12-15



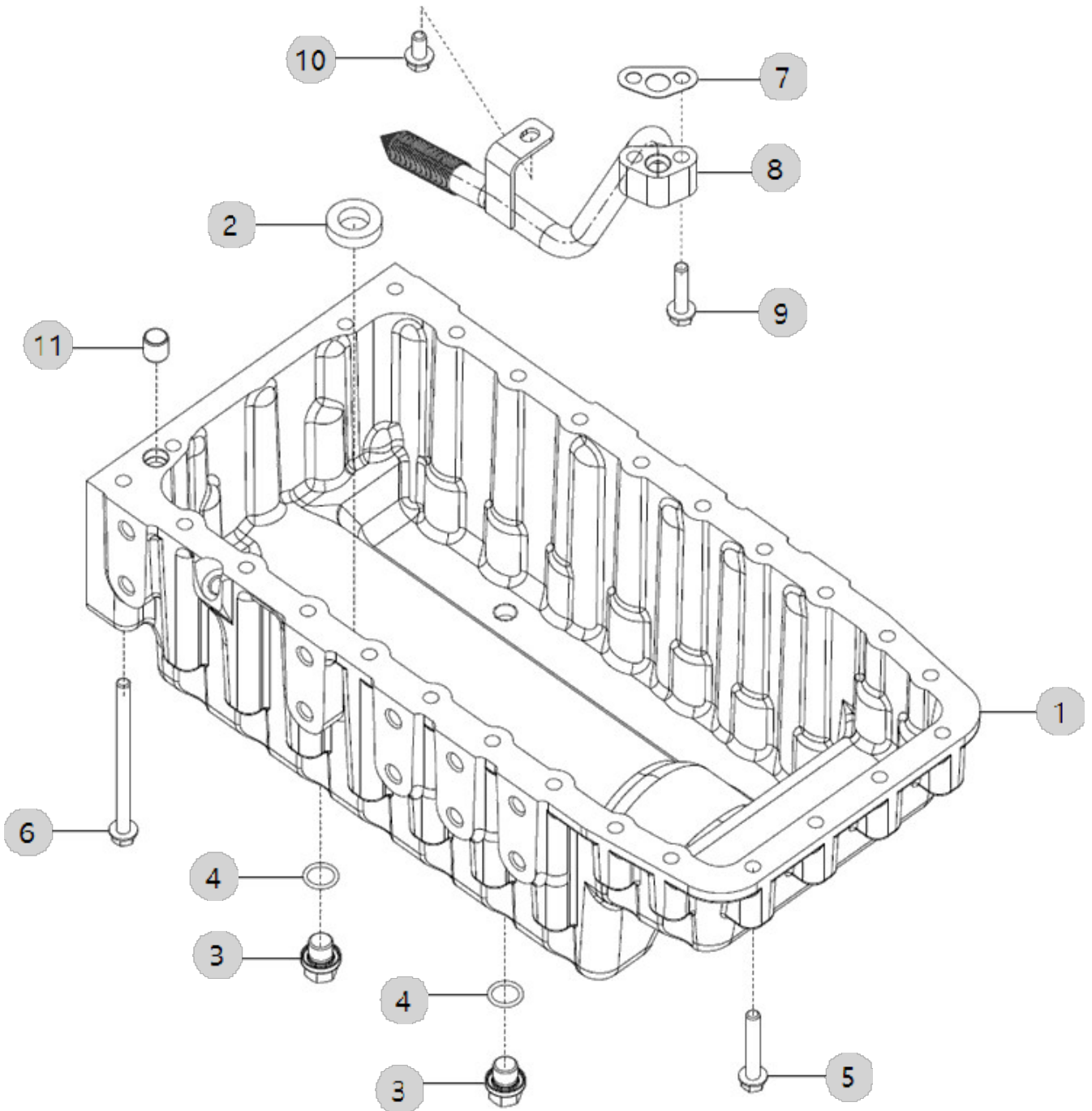
A27_005

A2300N4-UTC_4
(AB00298)

OIL PAN ASS'Y OPTION

Year/Month

2022-12-15



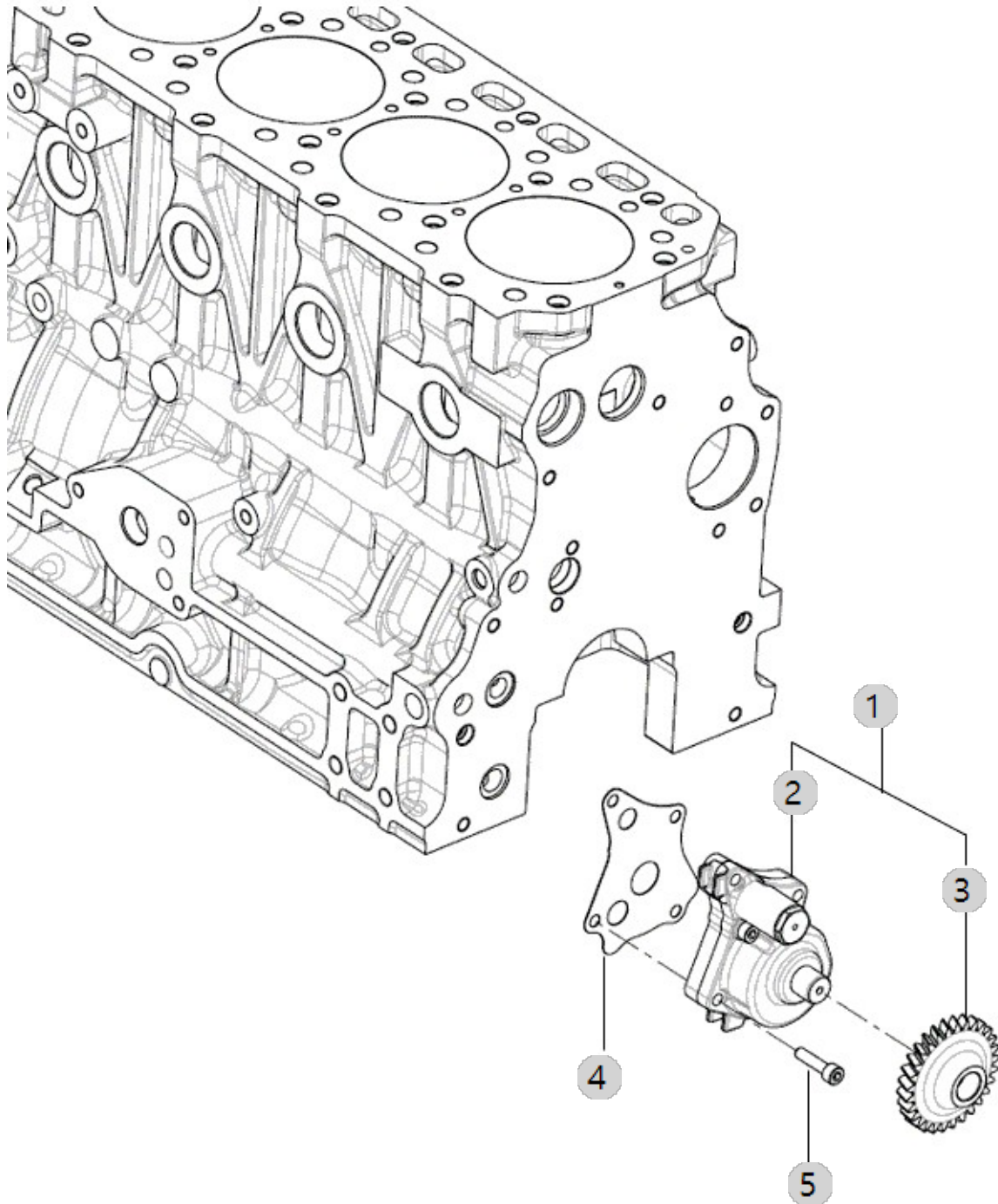
A28_001

A2300N4-UTC_4
(AB00298)

PUMP, LUBRICATING OIL

Year/Month

2022-12-15



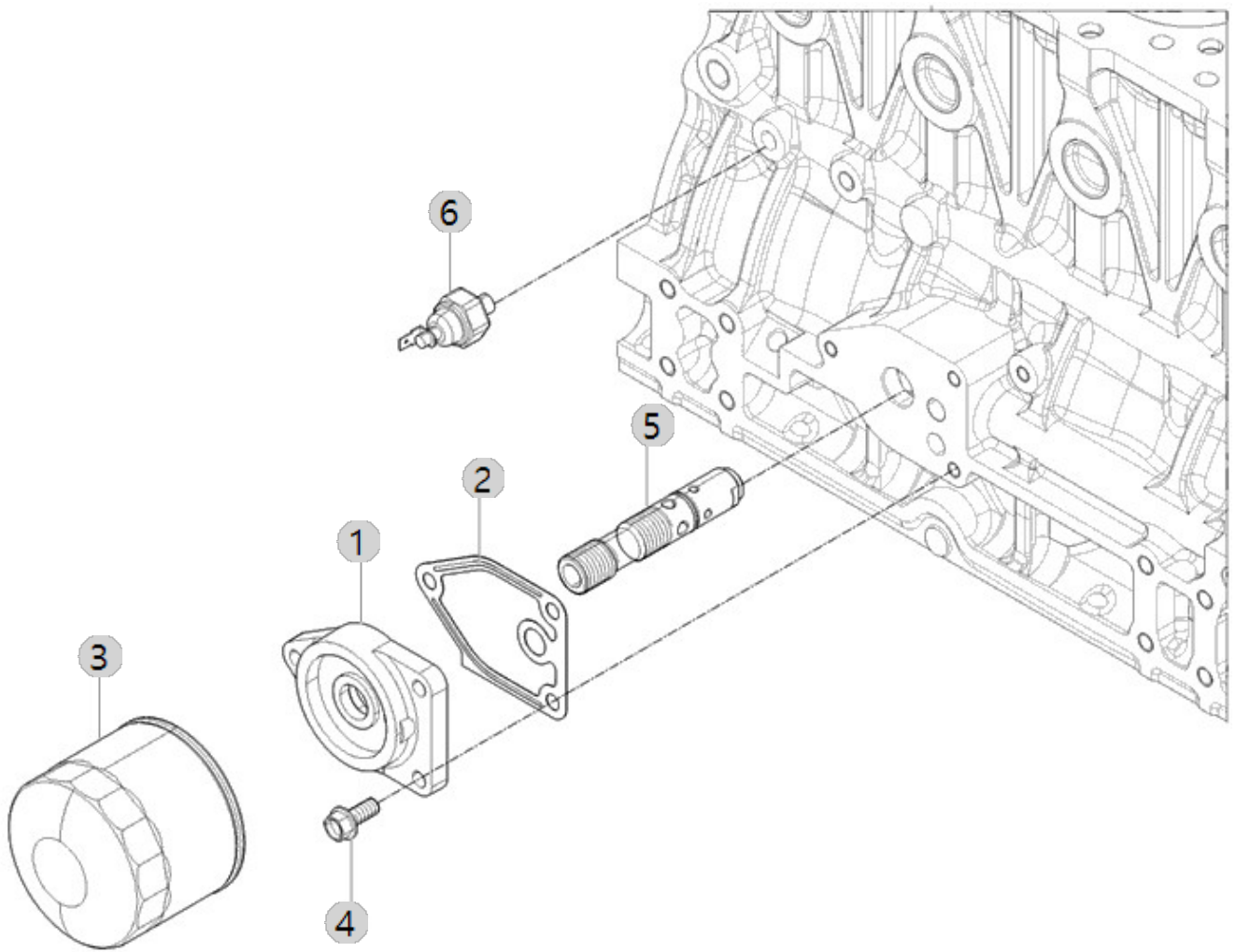
A29_005

A2300N4-UTC_4
(AB00298)

FILTER, LUBRICATING OIL

Year/Month

2022-12-15



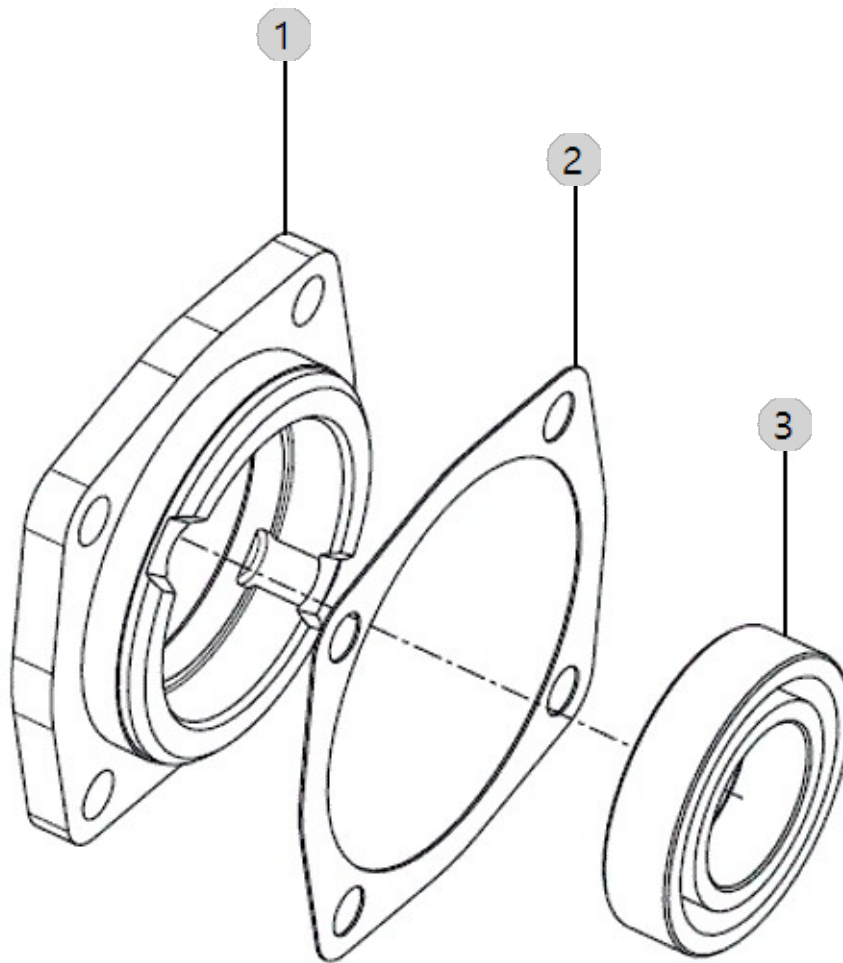
A30_003

A2300N4-UTC_4
(AB00298)

FRONT GEAR ACCESSORY DRIVE

Year/Month

2022-12-15



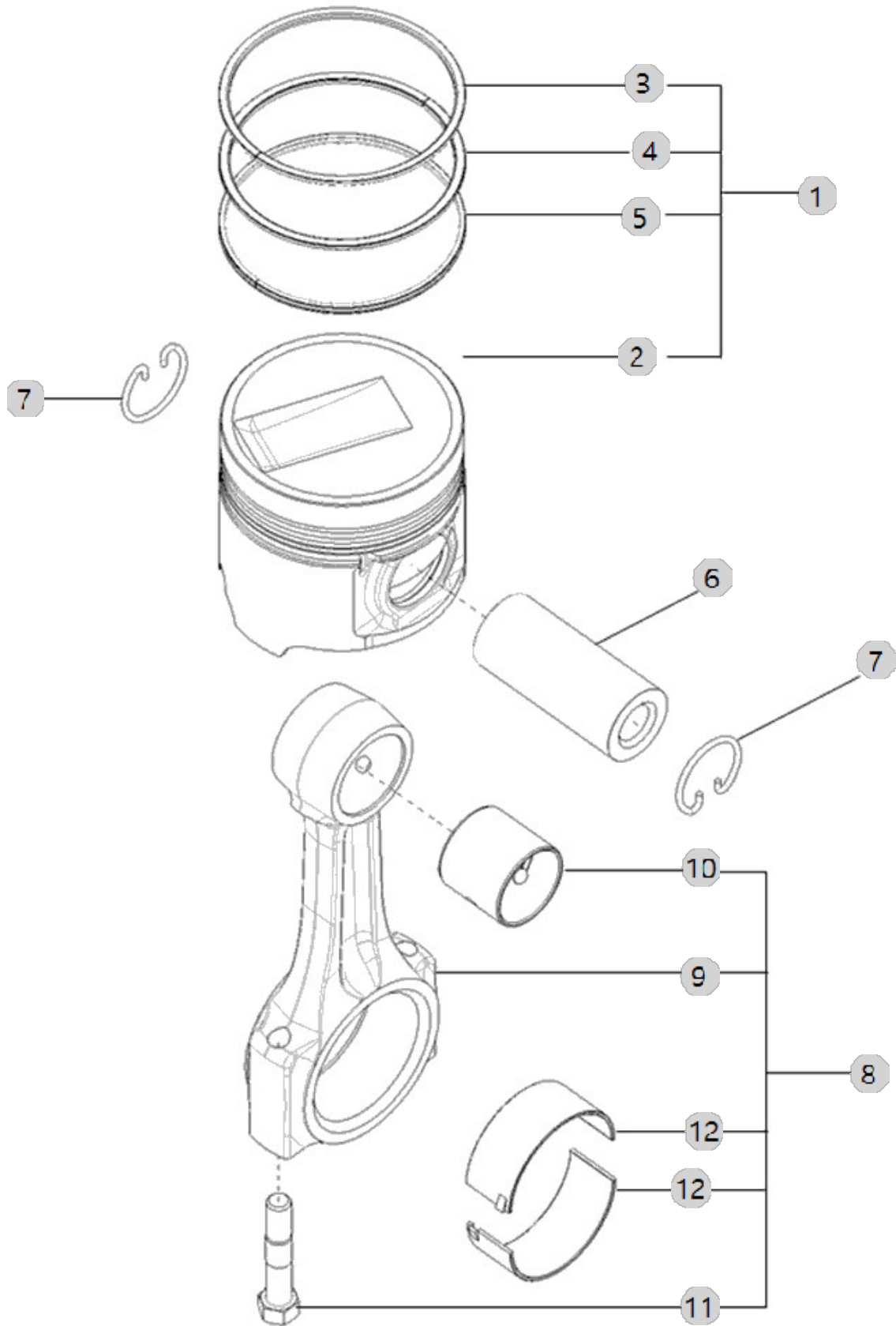
A31_007

A2300N4-UTC_4
(AB00298)

PISTON

Year/Month

2022-12-15



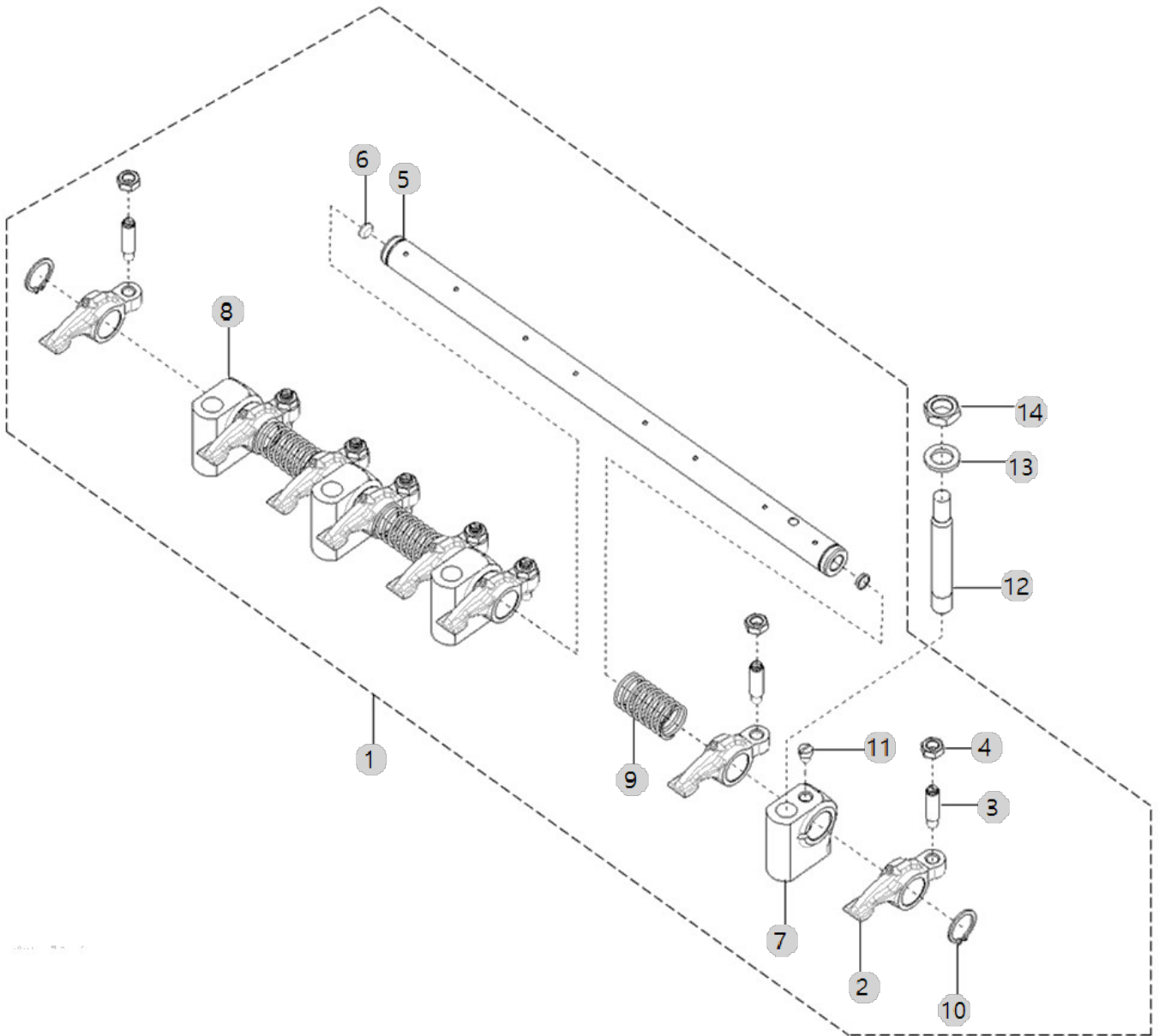
A32_003

A2300N4-UTC_4
(AB00298)

LEVER, LOCKER

Year/Month

2022-12-15



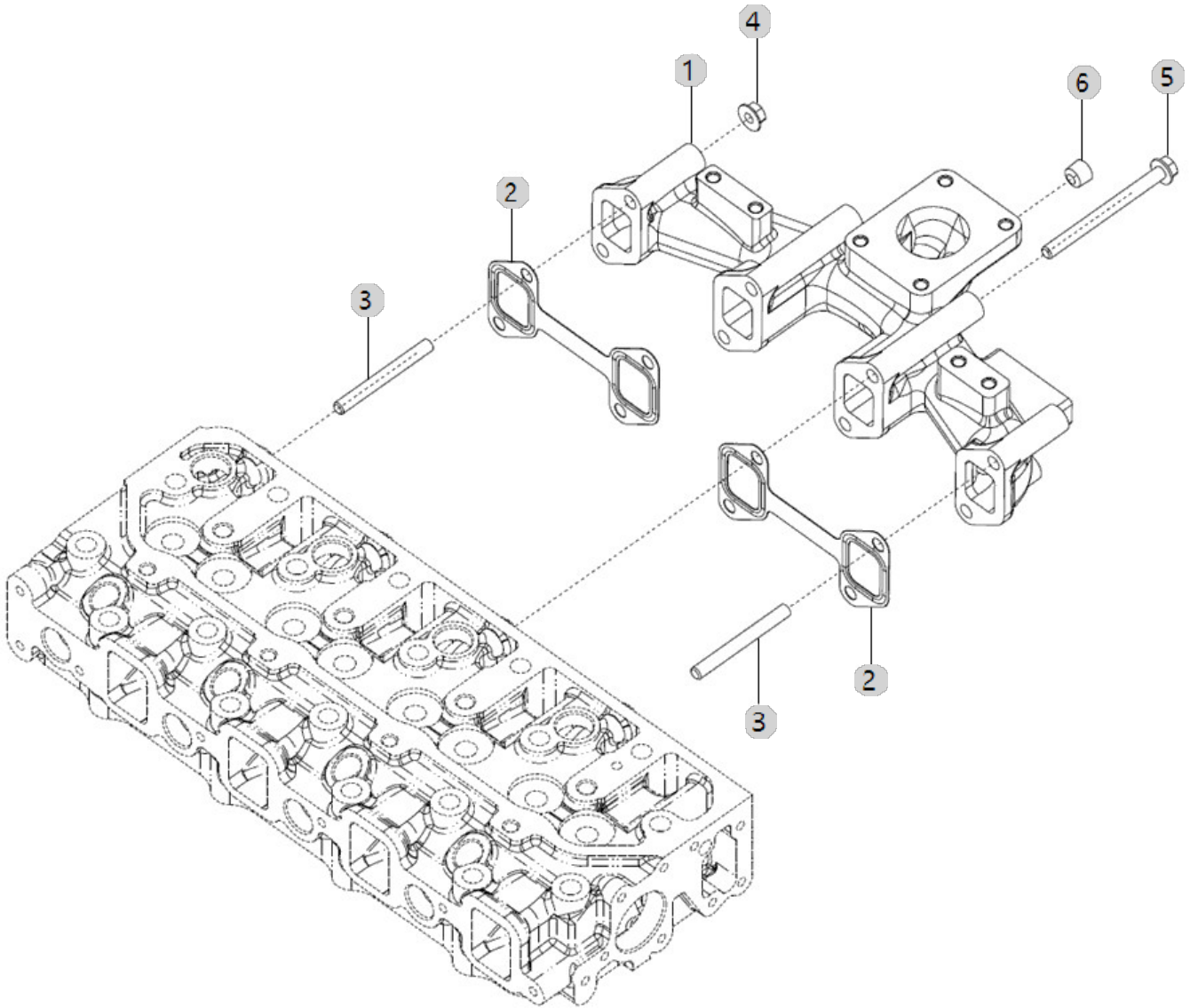
A33_013

A2300N4-UTC_4
(AB00298)

EXHAUST MANIFOLD

Year/Month

2022-12-15



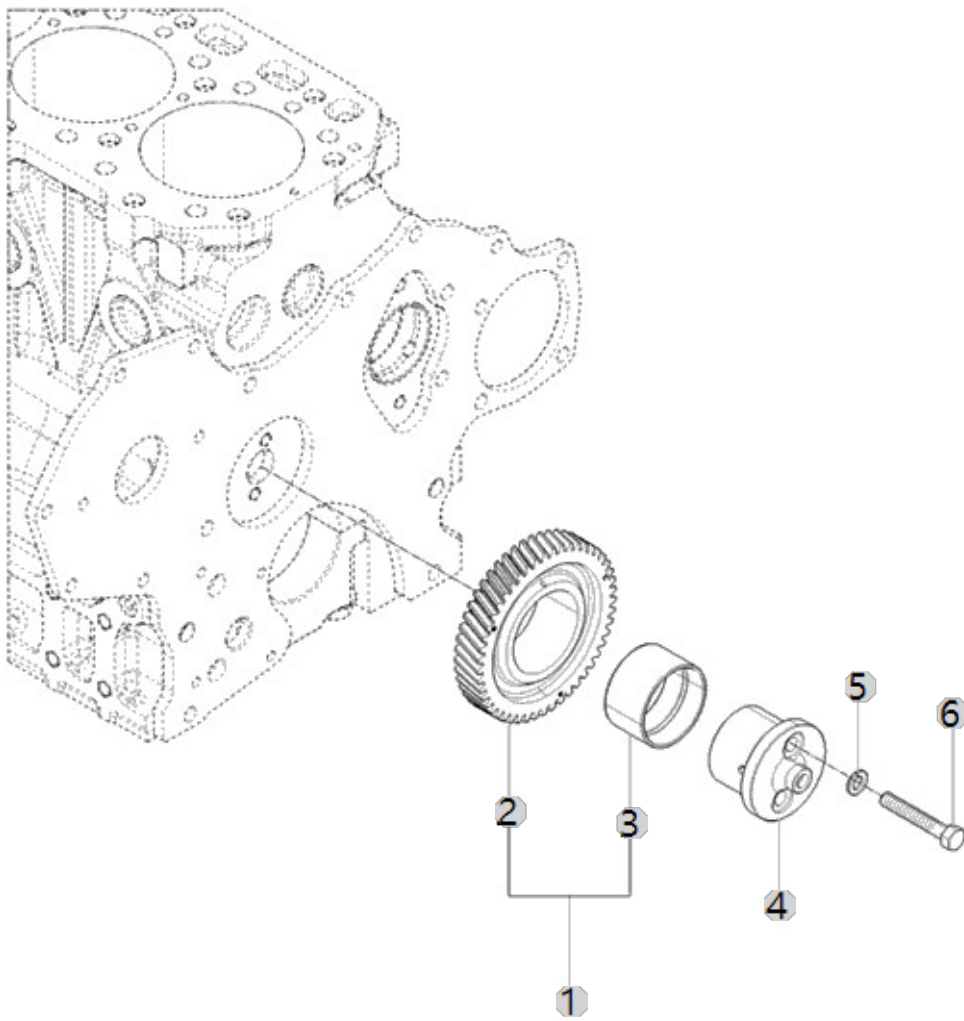
A35_002

A2300N4-UTC_4
(AB00298)

IDLE GEAR

Year/Month

2022-12-15



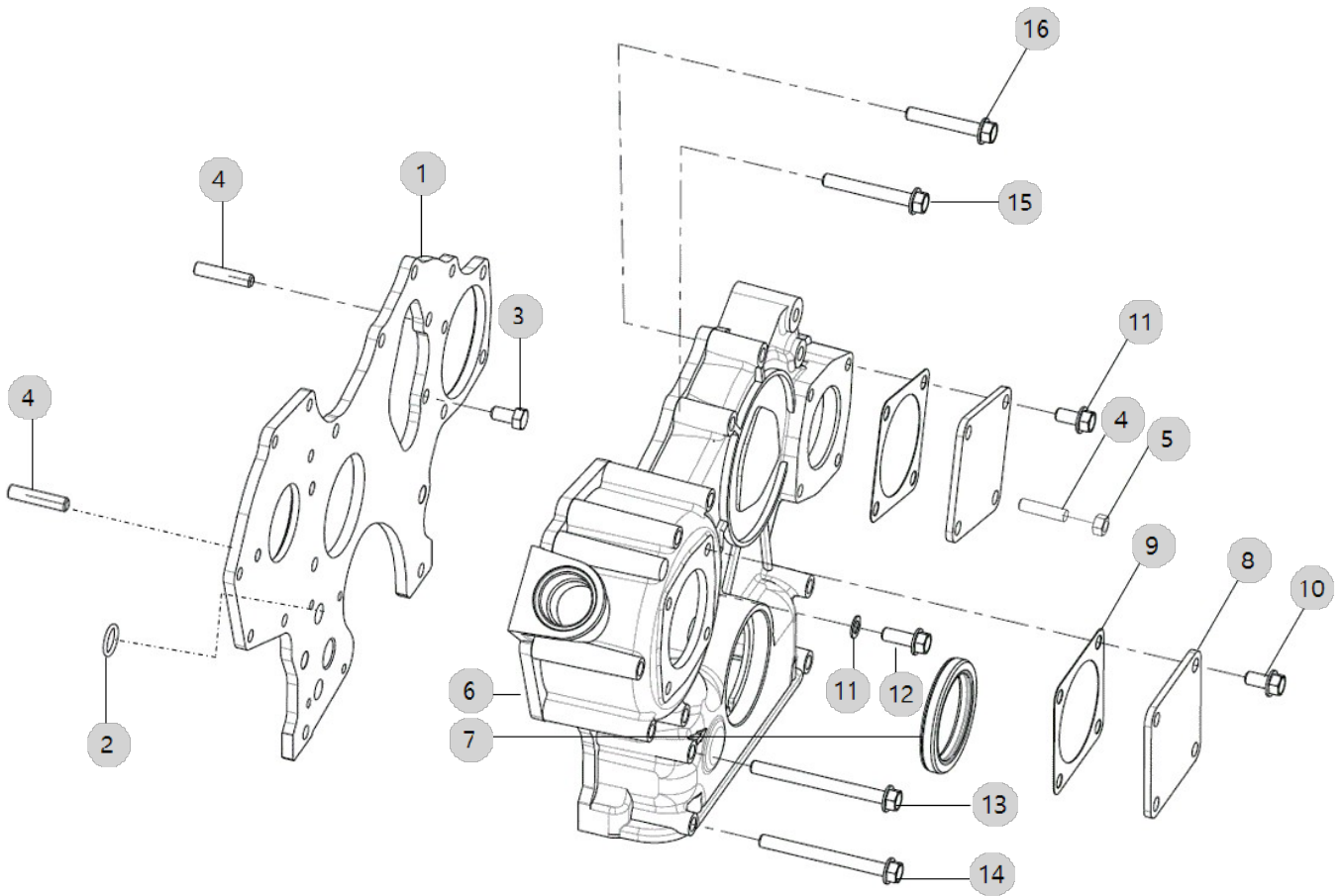
A36_004

A2300N4-UTC_4
(AB00298)

COVER, FRONT GEAR

Year/Month

2022-12-15



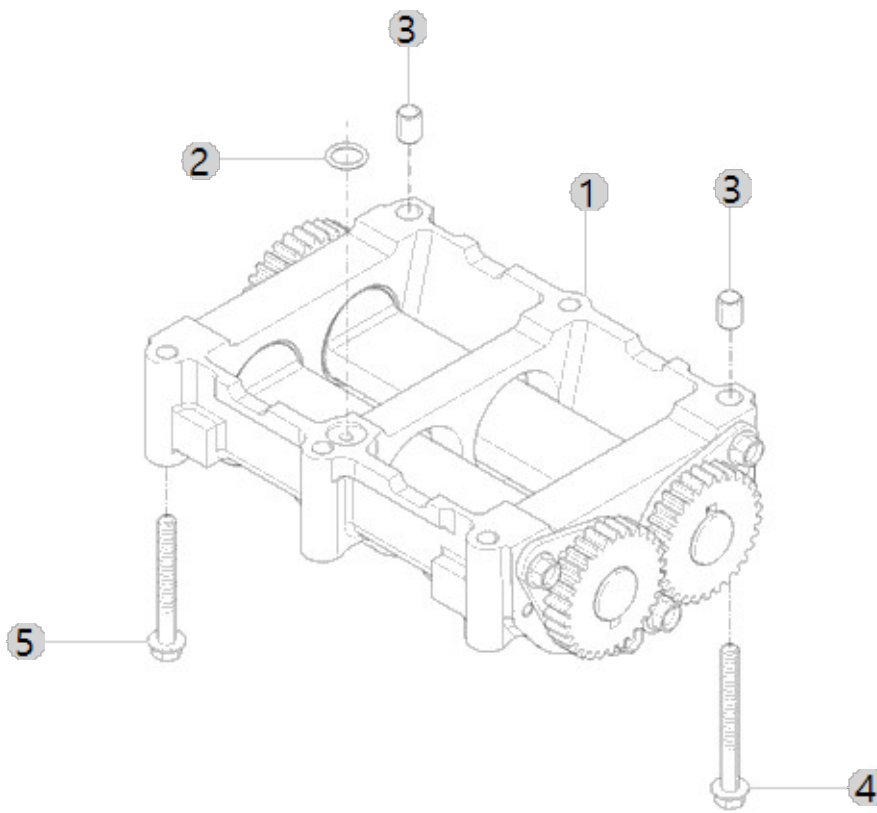
A37_001

A2300N4-UTC_4
(AB00298)

BALANCE ASS'Y

Year/Month

2022-12-15



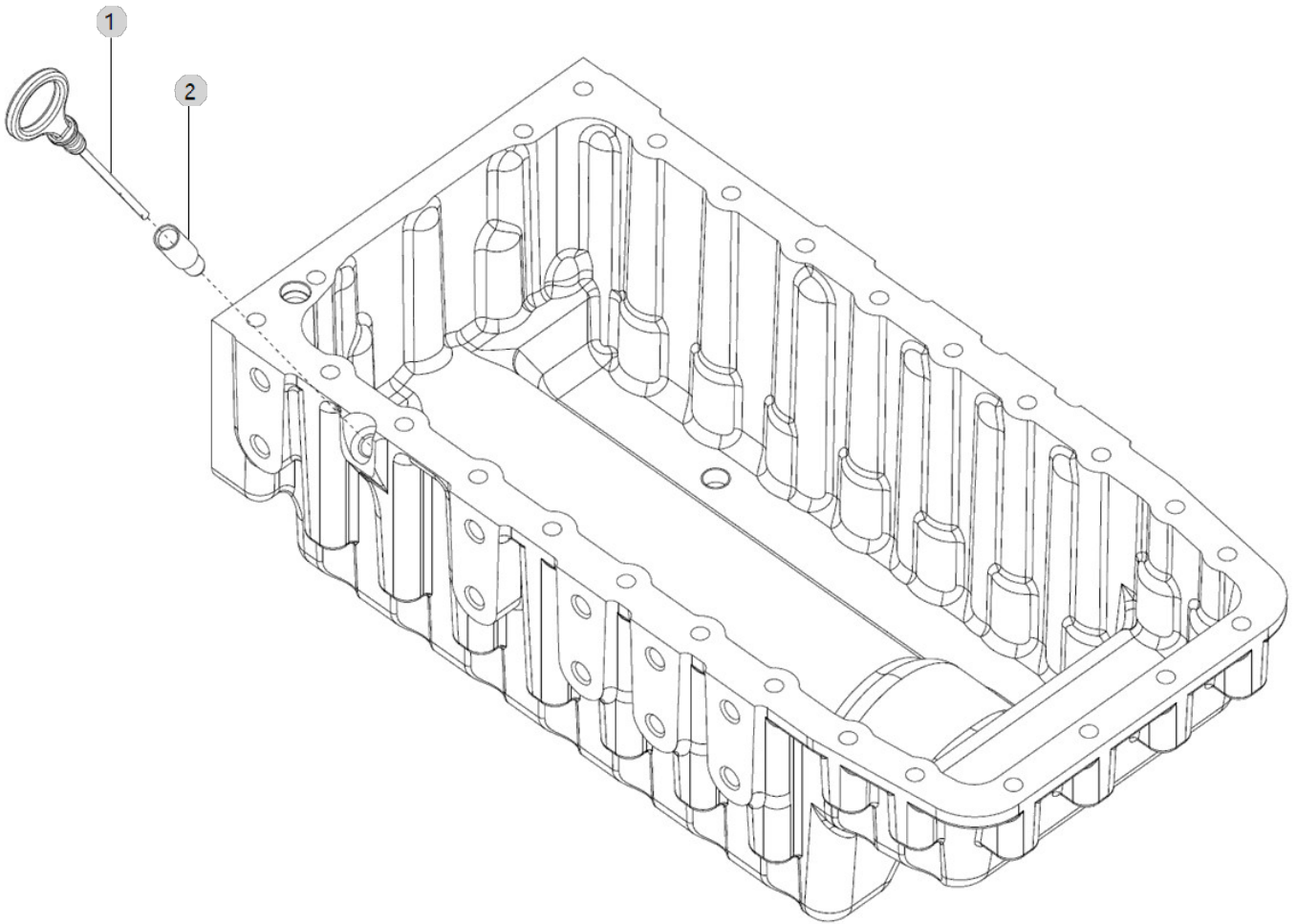
A38_009

A2300N4-UTC_4
(AB00298)

GAUGE, OIL LEVEL

Year/Month

2022-12-15



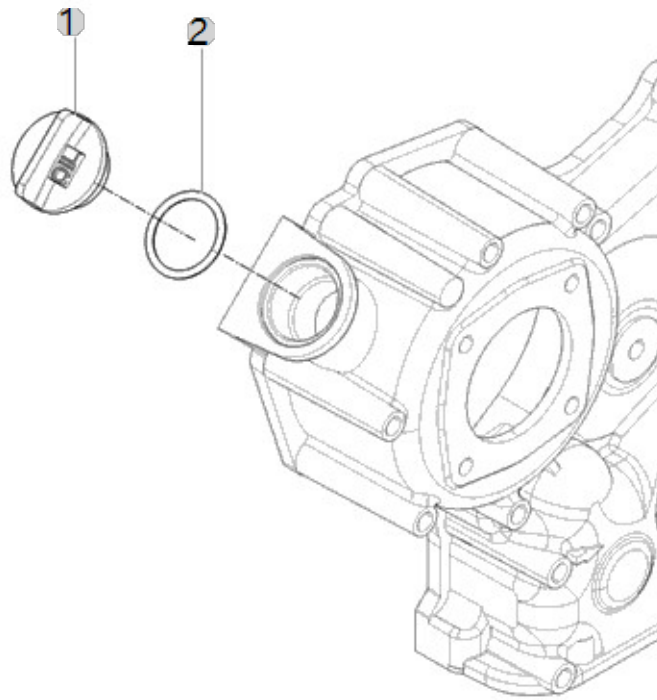
A39_001

A2300N4-UTC_4
(AB00298)

OIL FILLER CAP

Year/Month

2022-12-15



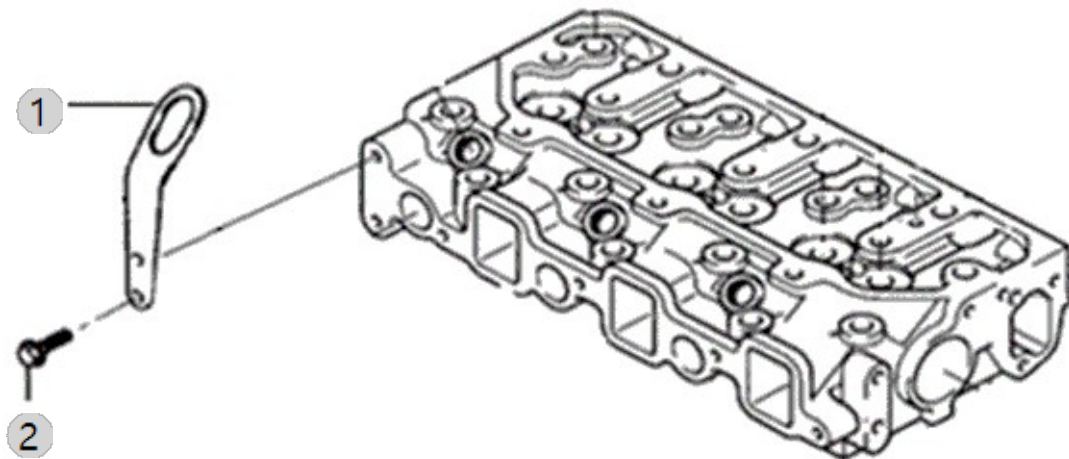
A40_003

A2300N4-UTC_4
(AB00298)

LIFT ASS'Y OPTION

Year/Month

2022-12-15



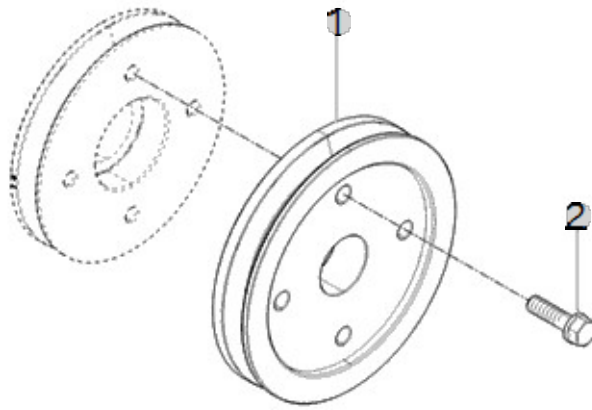
A41_001

A2300N4-UTC_4
(AB00298)

COMP,DRIVE PULLEY ASS'Y OPTION

Year/Month

2022-12-15



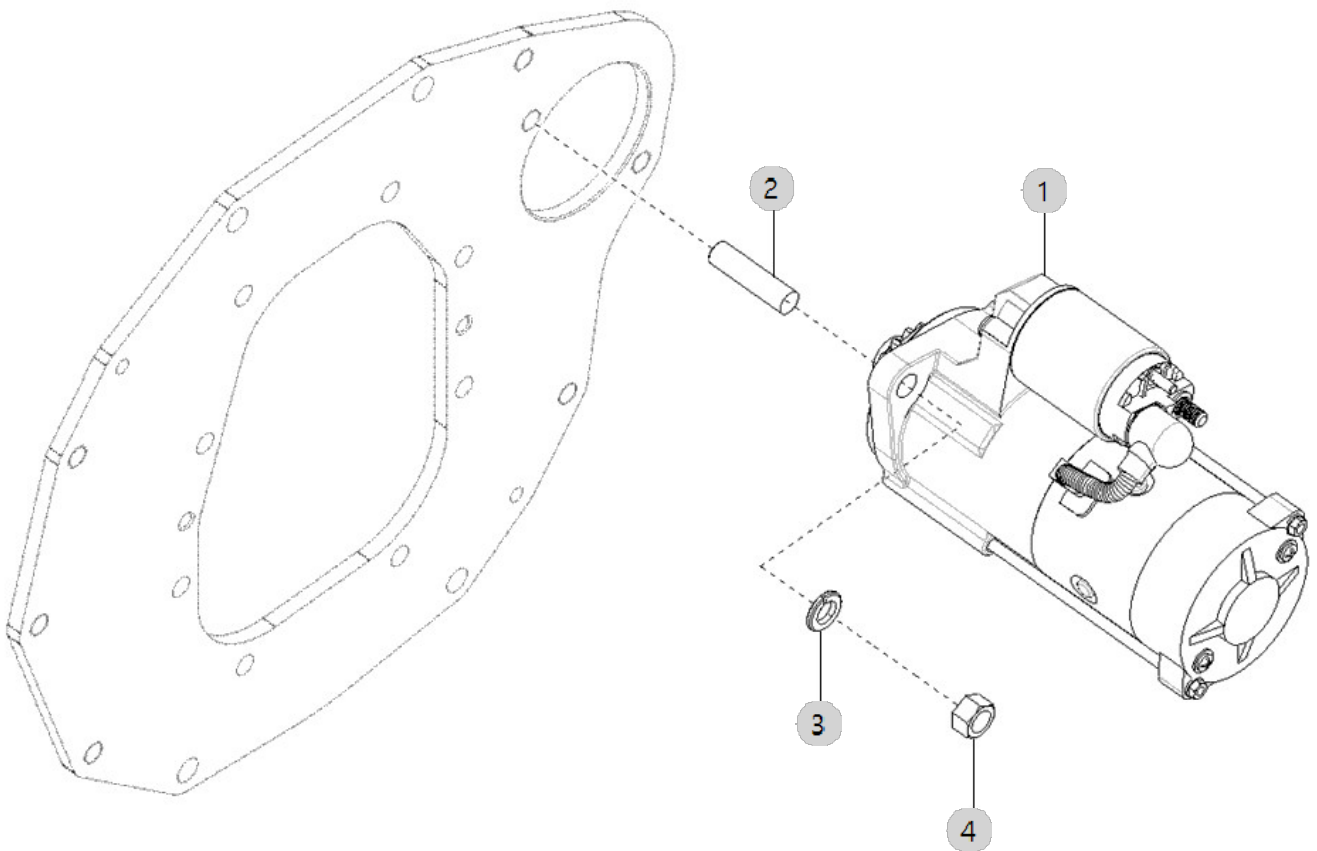
A42_003

A2300N4-UTC_4
(AB00298)

MOTER, STARTIONS

Year/Month

2022-12-15



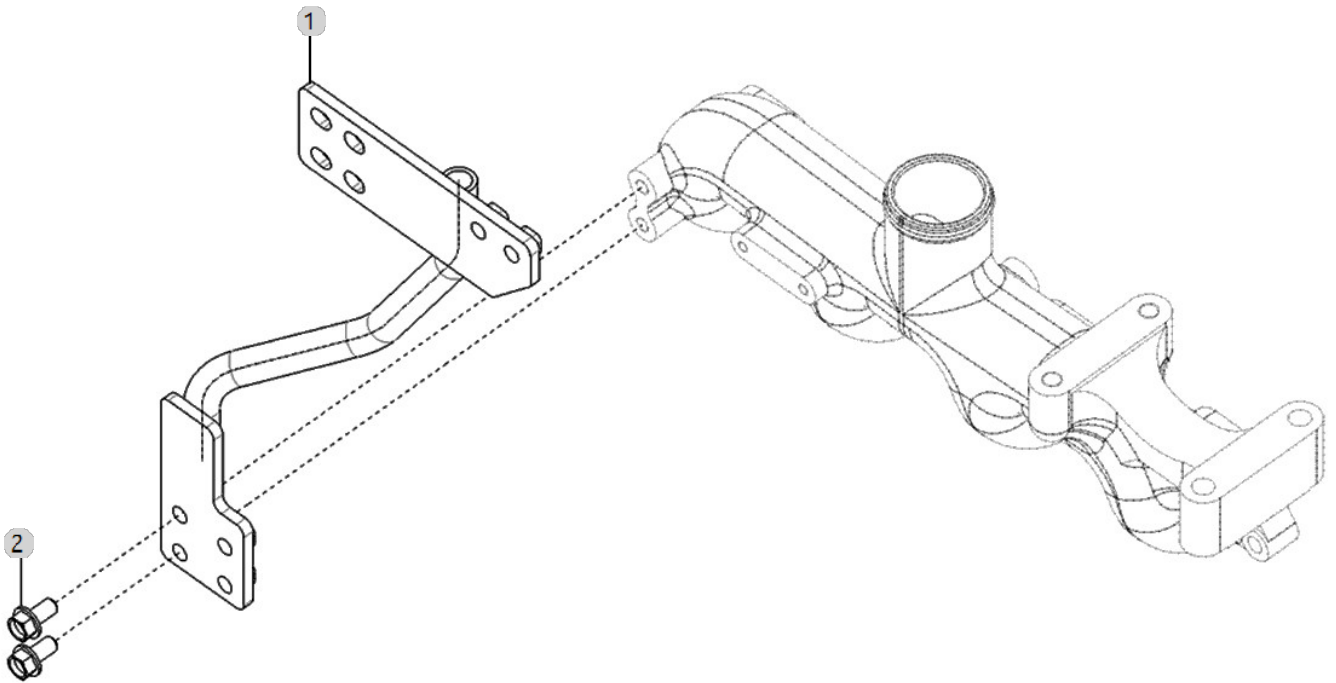
A43_001

A2300N4-UTC_4
(AB00298)

DPF SUPPORT OPTION

Year/Month

2022-12-15



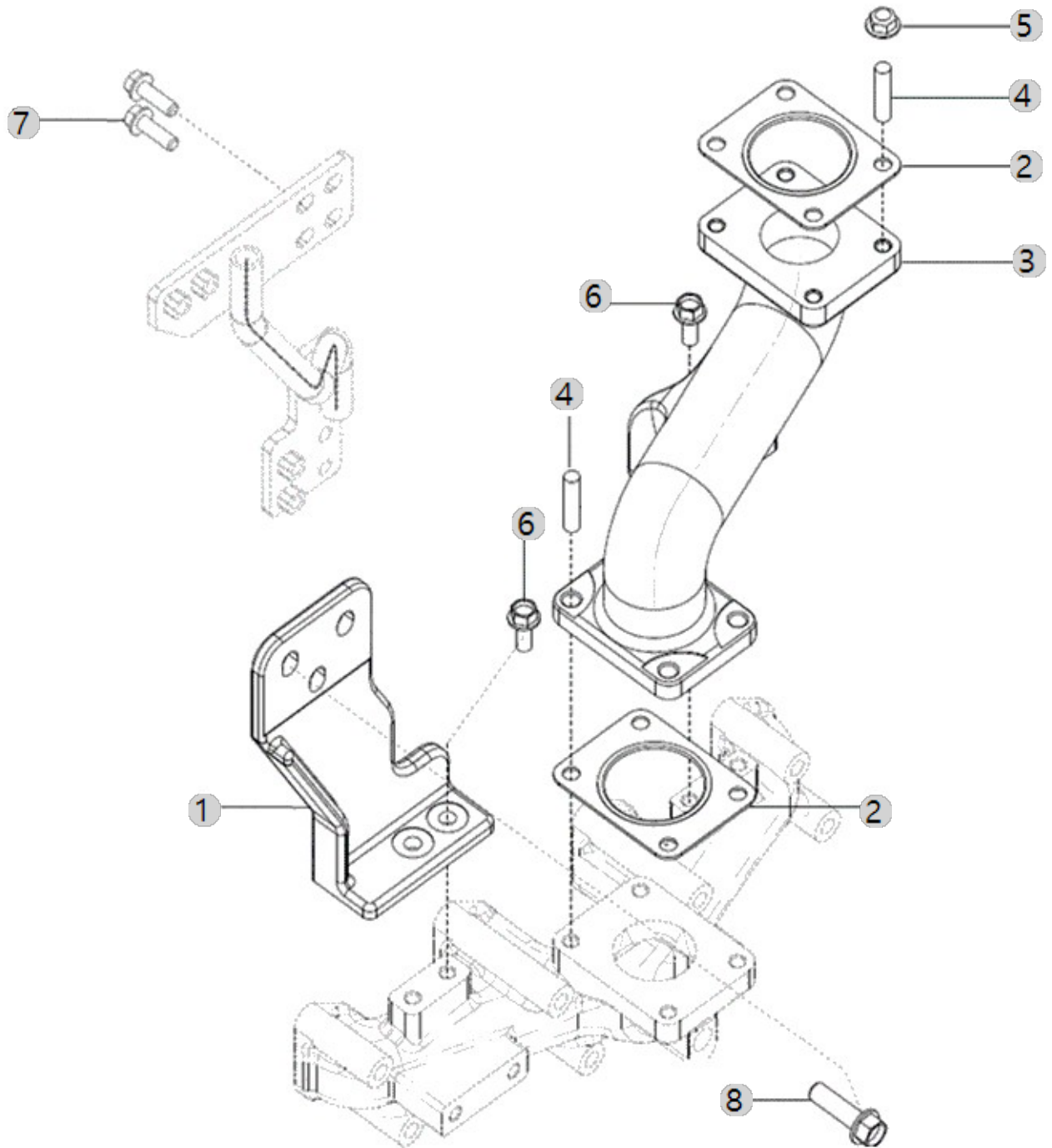
A44_006

A2300N4-UTC_4
(AB00298)

DPF MOUNTING OPTION

Year/Month

2022-12-15



<p>A44_006</p> <p>A2300N4-UTC_4 (AB00298)</p>	<p>DPF MOUNTING OPTION</p>	<p>Year/Month</p> <p>2022-12-15</p>
--	-----------------------------------	-------------------------------------

순번 (NO)	부품번호 (PART NO)	품 명 (PART NAME)	품 명 (PART NAME)	수량 (QTY)	규격 (SPEC)	비고 (REMARK)
1	EA00003136C	DPF 고정 하우징A	DPF_HOUSING	1		
1	EA00003136B	DPF 고정 하우징A	DPF_HOUSING	1		
1	EA00003136A	DPF 고정 하우징A	DPF_HOUSING	1		
2	EA00005692A	가스켓(DPF IN)	GASKET(DPF IN)	2		
3	EA00003137A	DPF 고정 하우징B	DPF_HOUSING_B	1		
3	EA00003137B	DPF 고정 하우징B	DPF_HOUSING_B	1		
4	2621D-080252	심음볼트	BOLT	8		
5	2636A-080002	육각플랜지너트	NUT	8		
6	26106-080202	육각플랜지볼트	SQR FLANGE BOLT	4	M8XP1.25X20	
7	26106-080252	육각플랜지볼트	SCREW,HEXFLANGEHEADCAP	2	M8XP1.25X25	
7	26106-080252	육각플랜지볼트	SCREW,HEXFLANGEHEADCAP	6	M8XP1.25X25	
7	26106-080252	육각플랜지볼트	SCREW,HEXFLANGEHEADCAP	6	M8XP1.25X25	
8	26106-100302	육각플랜지볼트	HEXFLANGEBOLT	4	M10XP1.5X30	

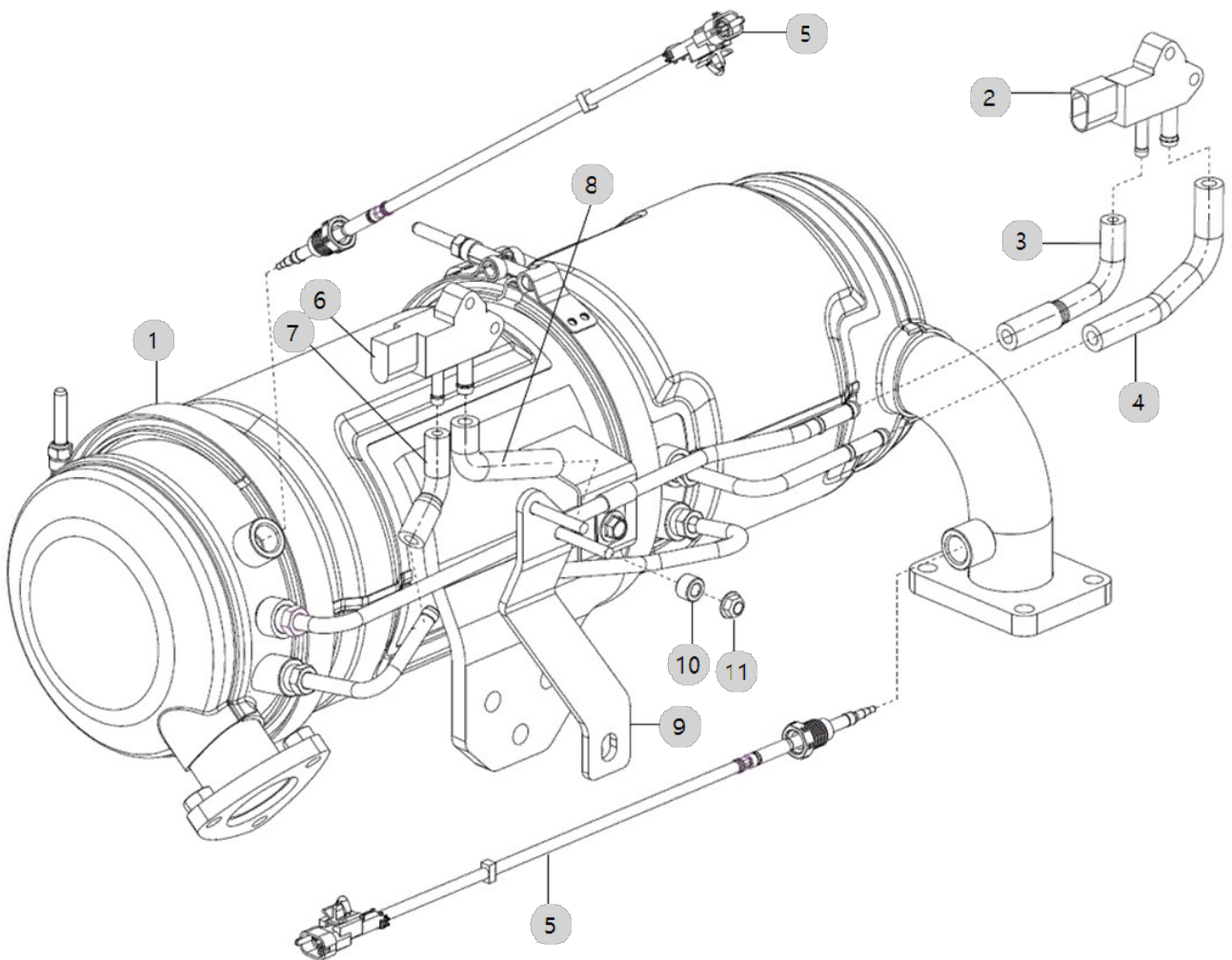
A45_011

A2300N4-UTC_4
(AB00298)

DPF

Year/Month

2022-12-15



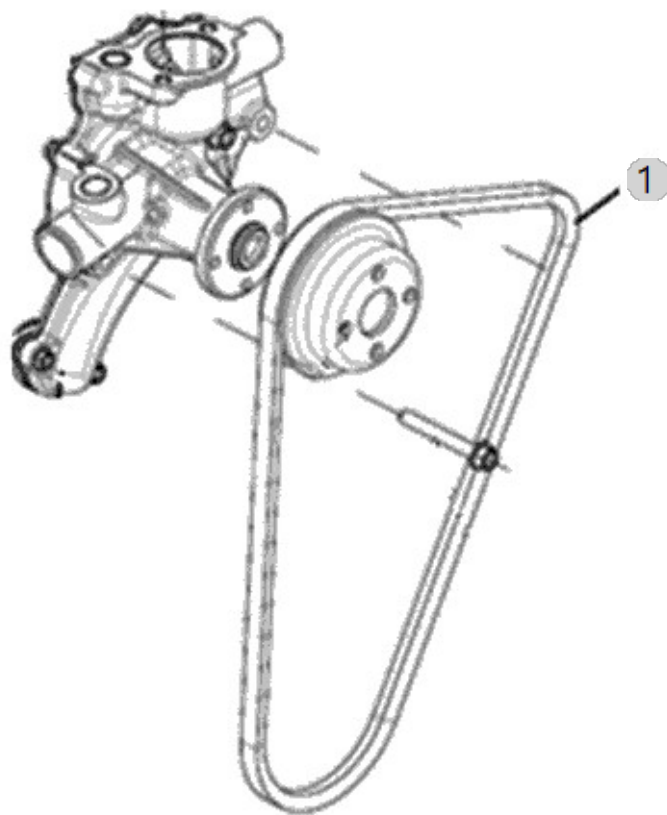
A48_006

A2300N4-UTC_4
(AB00298)

V-BELT

Year/Month

2022-12-15



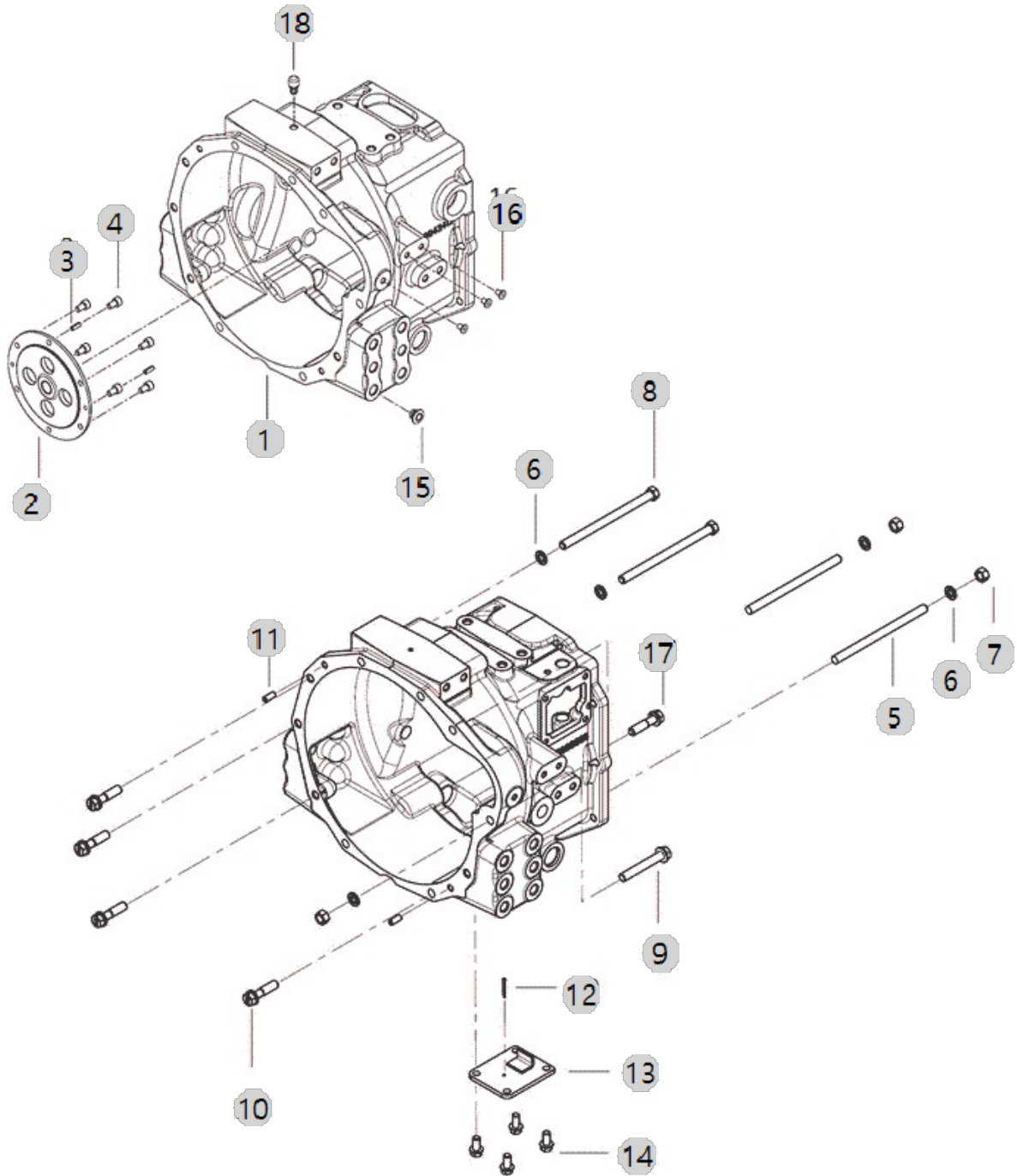
F01010

BRANSON K3CH
TM_US(AC01569)

CLUTCH HOUSING[4815CH]

Year/Month

2022-12-15



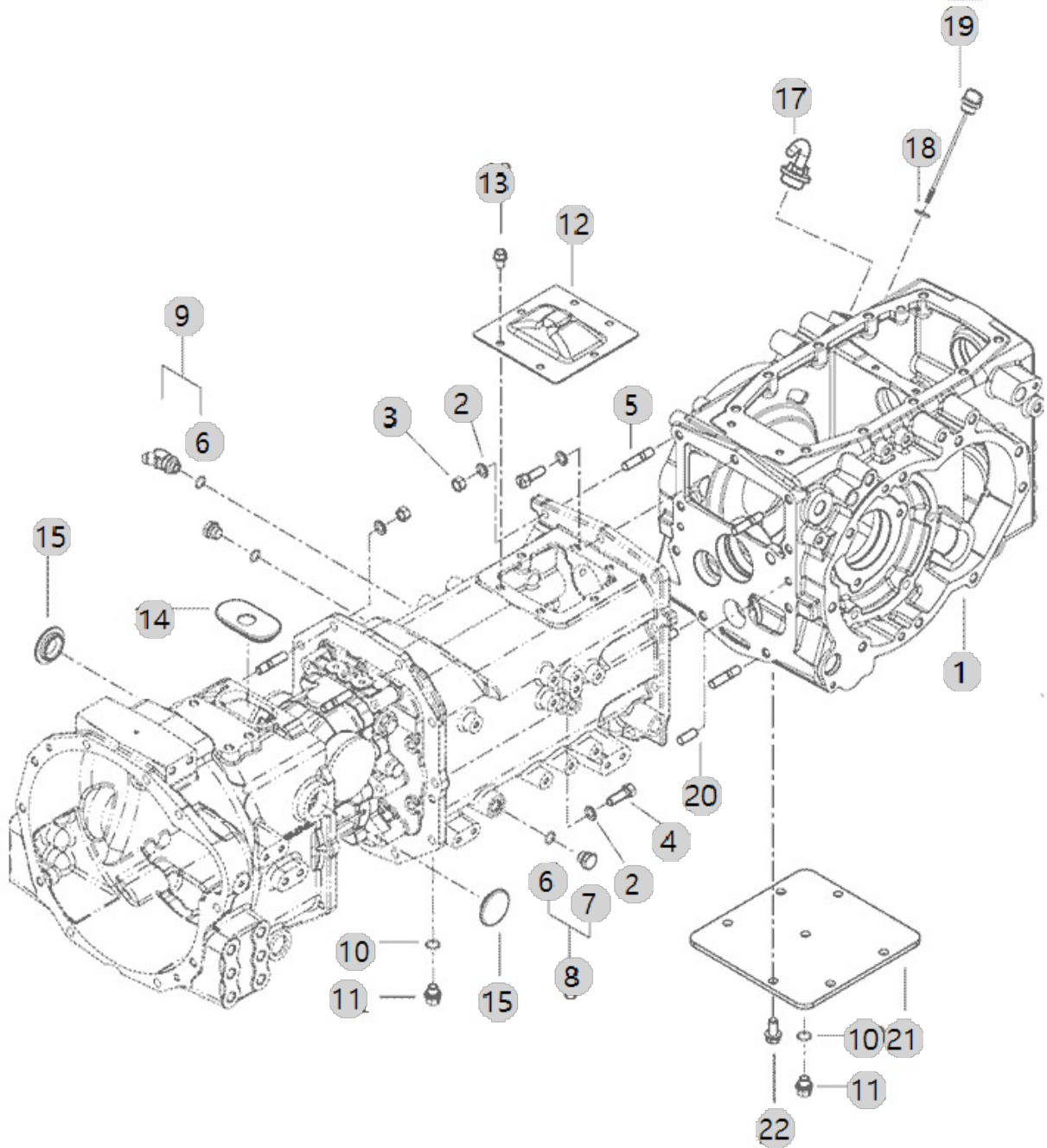
F01020

BRANSON K3CH
TM_US(AC01569)

TRANSMISSION CASE

Year/Month

2022-12-15



F01020 BRANSON K3CH TM_US(AC01569)	TRANSMISSION CASE				Year/Month
					2022-12-15

순번 (NO)	부품번호 (PART NO)	품명 (PART NAME)	품명 (PART NAME)	수량 (QTY)	규격 (SPEC)	비고 (REMARK)
1	TA00050237G	후차축케이스_MID PTO	REAR AXLE CASE	1		
2	22217-120000	스프링와셔	WASHER, SPRING (Φ 12)	19	M12	
3	26716-120002	295,ALL,육각너트	HEXA NUT295	6	M12X1.75	
4	TH22090000B4	보울트(M12xP1.75x35)		13	-	
5	FT80120000B4	심음볼트	STUD BOLT(12X38)	6		
6	24311-000140	441,ALL,O-RINGP-14	O-RING, DYNAMIC (Φ14)	3	P14	
7	NTA1130100A9	몸체		2		
8	NTA1130000B4	플러그	PLUG	2		
9	FT33060000B4	45도 어댑터(3/8)	45ELBOW[3/8]	1		
10	24311-000160	O-링 P 16	O-RING, DYNAMIC (Φ16)	2	P16	
11	TB28120000D4	퇴유플러그	PLUG	2	D23	DEL.20220331
12	TA00042422A	PTO클러치커버	COVER	1		
13	26106-100162	플랜지볼트M10X16	SCREW,HEXFLANGEHEADCAP	6	M10XP1.5X16	
14	TA00043328A	HST고무커버	COVER, RUBBER	1		
15	TA00042481A	고무플러그	PLUG,RUBBER	2		
17	FT80370000A4	주유구캡	CAP,INTAKE	1		
18	24311-000180	O-RING(P18)	O-RING, DYNAMIC (Φ18)	1	P18	
19	TA00038076B	검유봉	LOD	1		
20	22312-100180	평행핀	PIN, DOWEL (10-18)	2	D10X18	
21	TA00054742B	MID PTO 커버	COVER, MID PTO	1		
22	26106-100202	육각플랜지볼트	HEX BOLT, (10-20)	6	M10XP1.5X20	

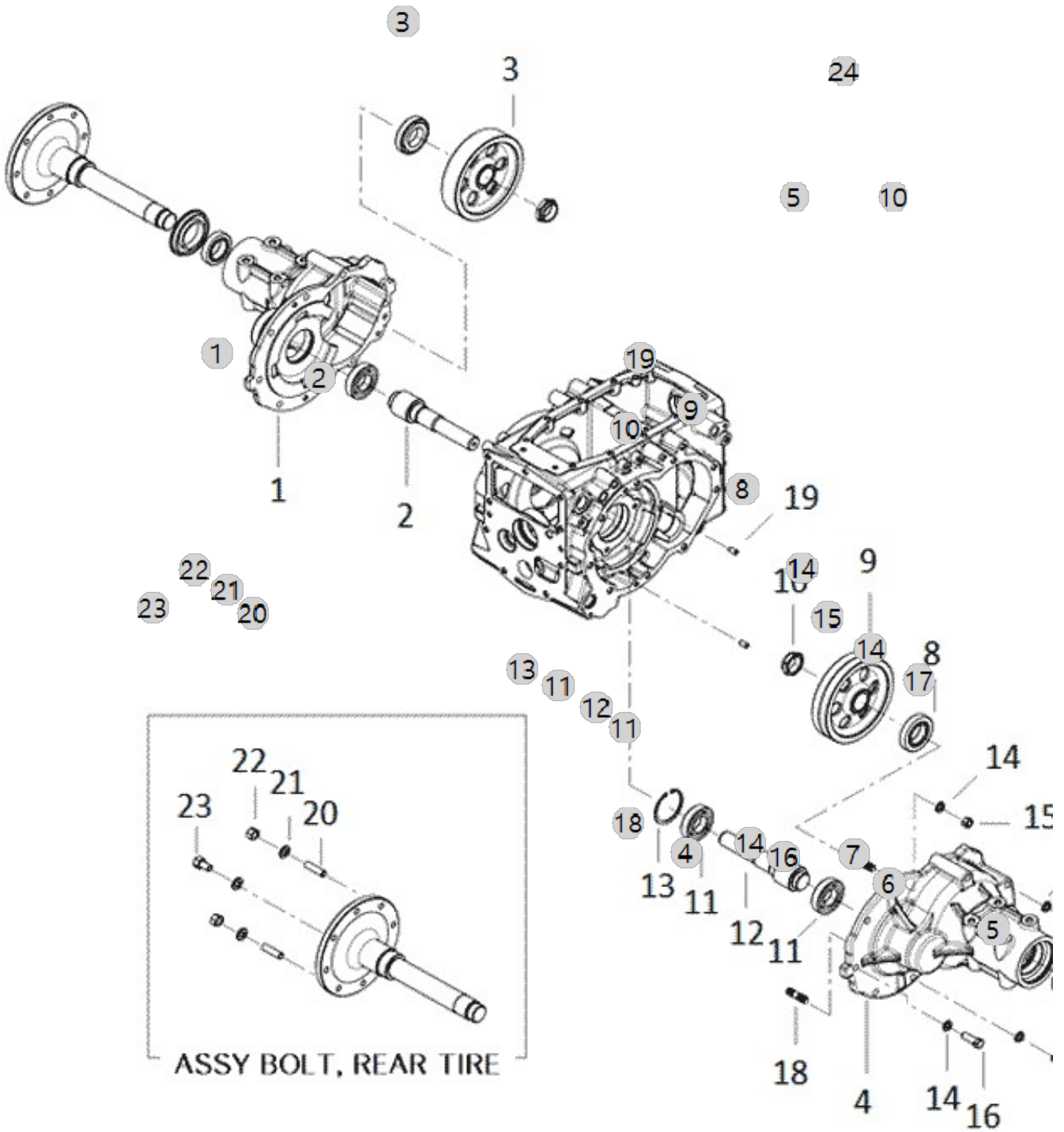
F01030

BRANSON K3CH
TM_US(AC01569)

REAR AXLE HOUSING

Year/Month

2022-12-15



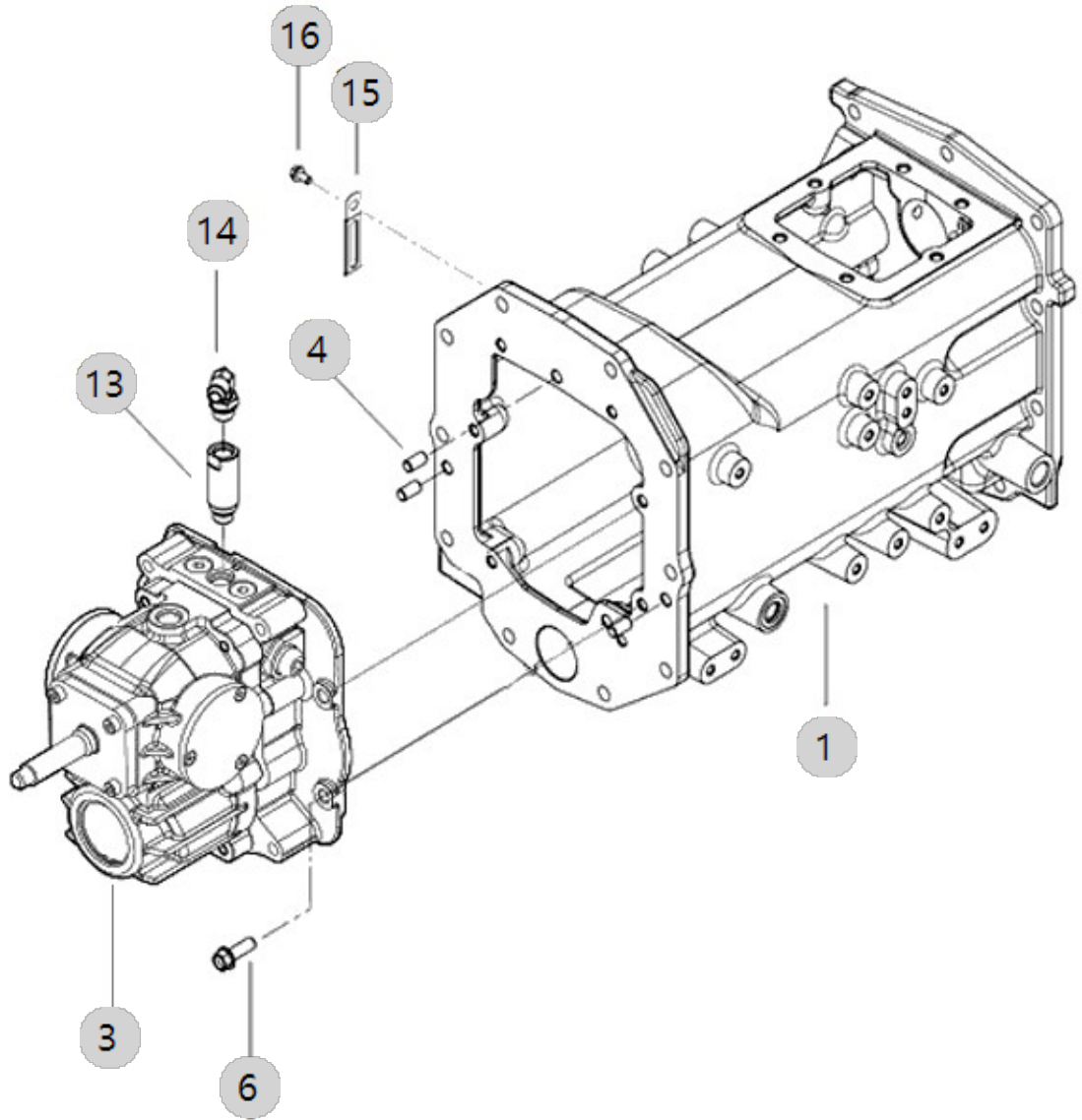
F01050

BRANSON K3CH
TM_US(AC01569)

HYD SHIFT TRANSMISSION HOUSING

Year/Month

2022-12-15



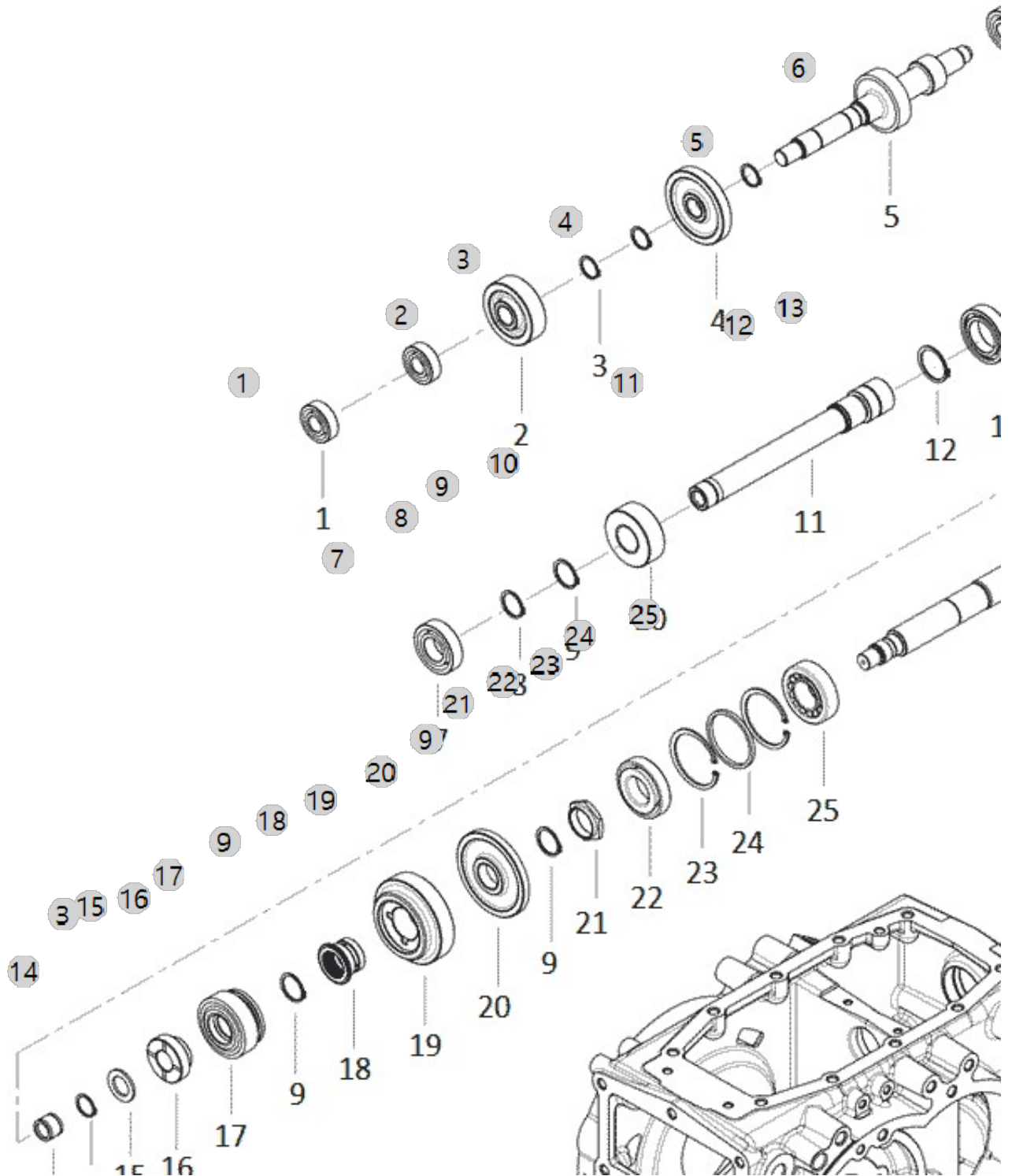
F03040

BRANSON K3CH
TM_US(AC01569)

RANGE SHIFT DRIVE SHAFT-1

Year/Month

2022-12-15



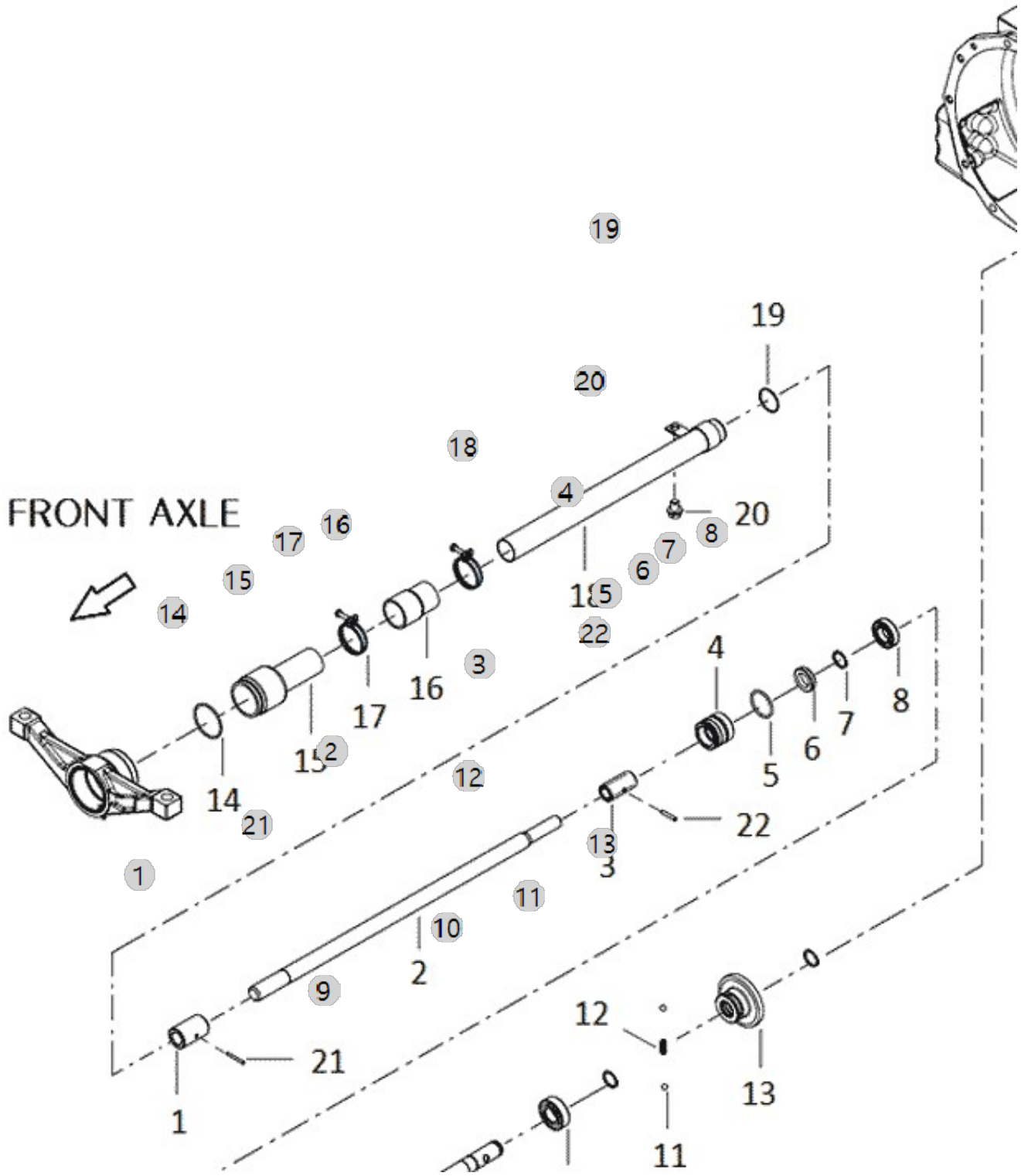
F04010

BRANSON K3CH
TM_US(AC01569)

FORNT DRIVE SHAFT

Year/Month

2022-12-15



F04010 BRANSON K3CH TM_US(AC01569)	FORNT DRIVE SHAFT	Year/Month
		2022-12-15

순번 (NO)	부품번호 (PART NO)	품명 (PART NAME)	품명 (PART NAME)	수량 (QTY)	규격 (SPEC)	비고 (REMARK)
1	NT15080000B4	커플링 R	COUPLING(R)	1	D35	
2	TA00038621C	프로펠라축	PROPELLER SHAFT	1		
3	TA00038620B	4륜구동 조인트	4WD JOINT	1		
3	TA00038620C	4륜구동 조인트	4WD JOINT	1		
4	TA00038089B	오일 씬 하우스	HOUSING, OIL SEAL	1		
5	24311-000410	O-RINGP41	O-RING	1	41P	
6	24421-254008	오일씬TC254008(E810,86-13)	Seal, Oil (#25-40-08)	1	TC25X40X8	
7	22242-000250	축용스냅링25	SNAP RING, SHAFT (Φ 25)	3	D25	
8	TA00059200A	볼베어링(6005)	BALL BEARING	1		
9	TA00038094B	4륜구동축	SHAFT 4WD DRV	1		
10	TA00059193A	볼베어링(6205)	BALL BEARING	1		
11	24190-110001	강구11/32	Ball, Steel (11/32)	2	11/32	
12	TA00038591A	스프링	SPRING	1		
13	TA00050634A	4륜피동기어	FOUR WHEEL DRIVEN GEAR	1		
14	24321-000550	O-링	SEAL,O-RING	1	1A G55.0	
15	TA00040522A	축 커버(전)	COVER	1		
15	TA00040522B	축 커버(전)	SHAFT COVER	1		
16	TA00040524C	축 커버 부츠	BOOTS	1		
17	23000-048000	호스클램프	CLAMP,HOSE	2	D48	
18	TA00040523D	축 커버(후)	COVER	1		
18	TA00040523E	축 커버(후)	SHAFT COVER	1		
19	TA00069844A	패킹	PACKING	1		
20	26106-120162	육각플랜지볼트	BOLT	1		
21	22351-040036	스프링핀	SPRING PIN	1	D4X36	

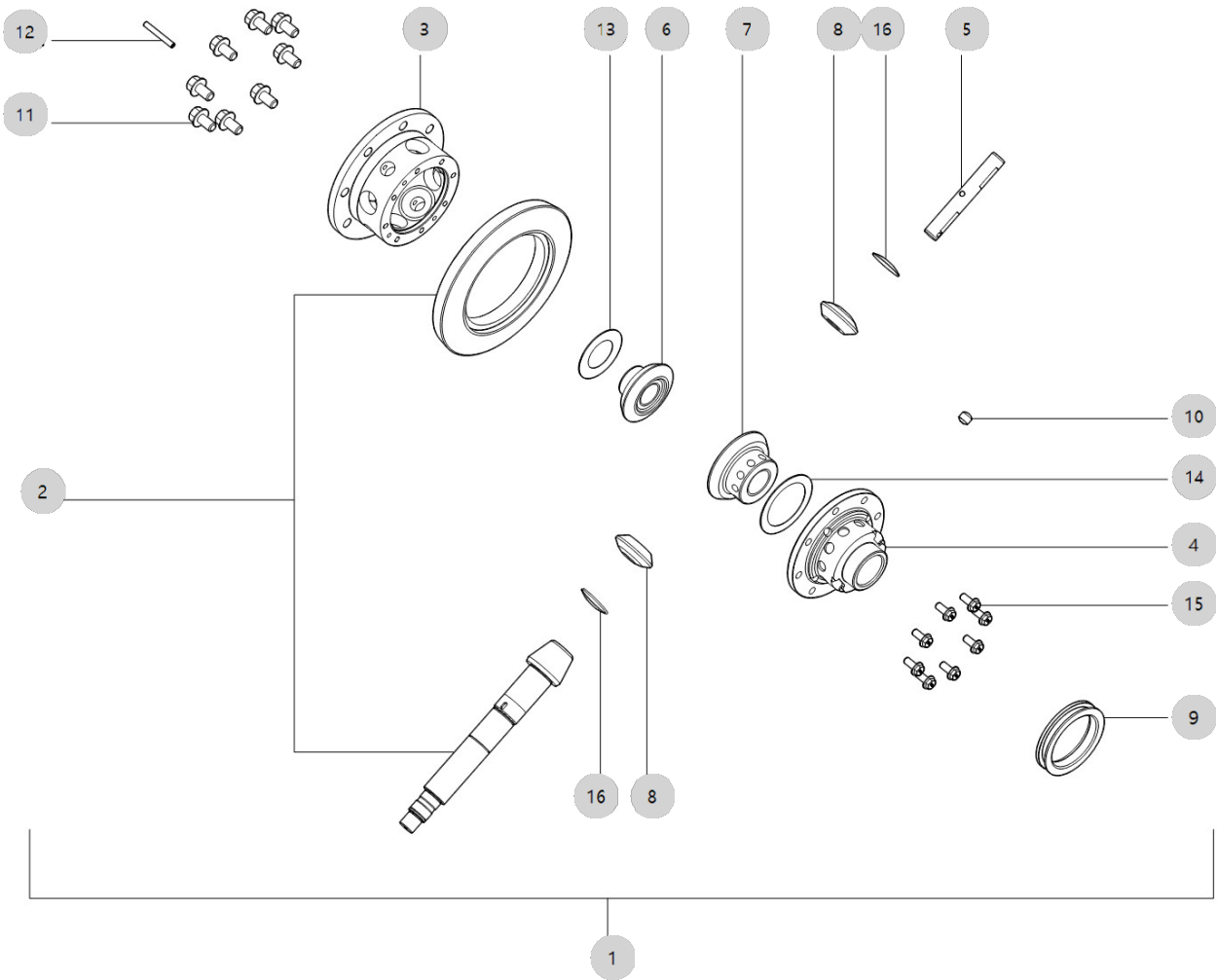
F05020

BRANSON K3CH
TM_US(AC01569)

REAR DIFFERENTIAL

Year/Month

2022-12-15



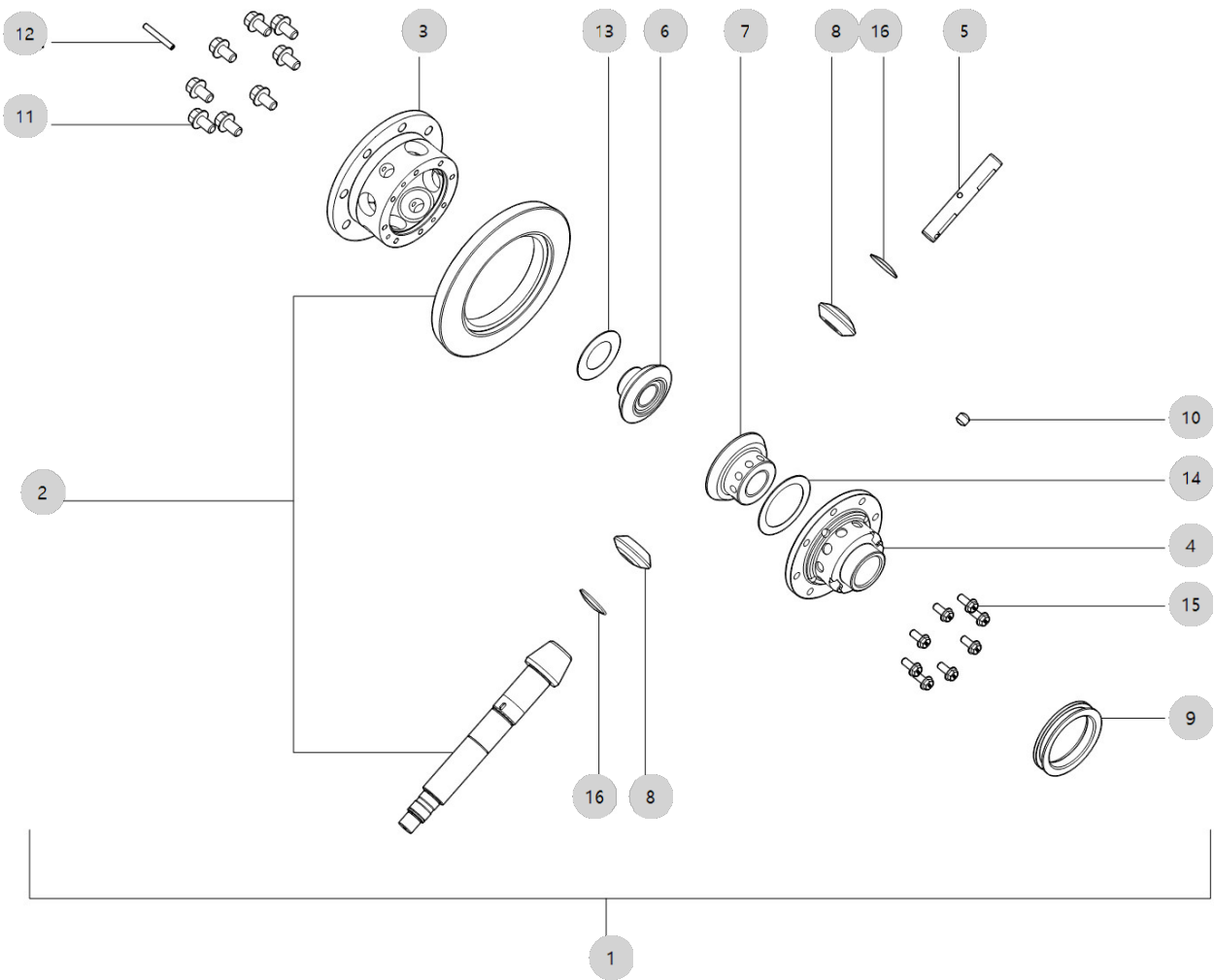
F05020

BRANSON K3CH
TM_US(AC01569)

RING GEAR&DIFF.GEAR ASS'Y

Year/Month

2022-12-15



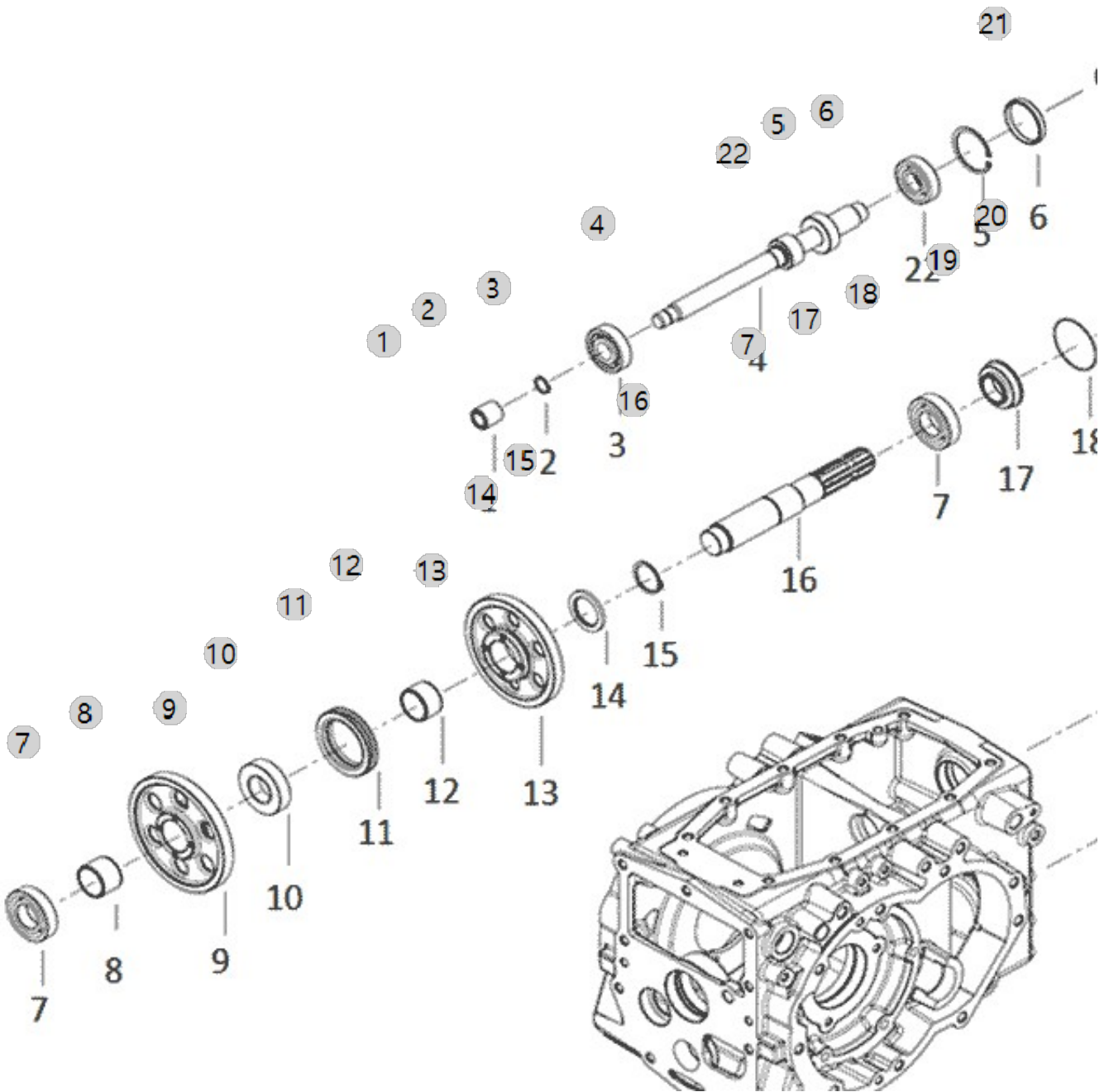
F07030

BRANSON K3CH
TM_US(AC01569)

PTO DRIVE SHAFT

Year/Month

2022-12-15



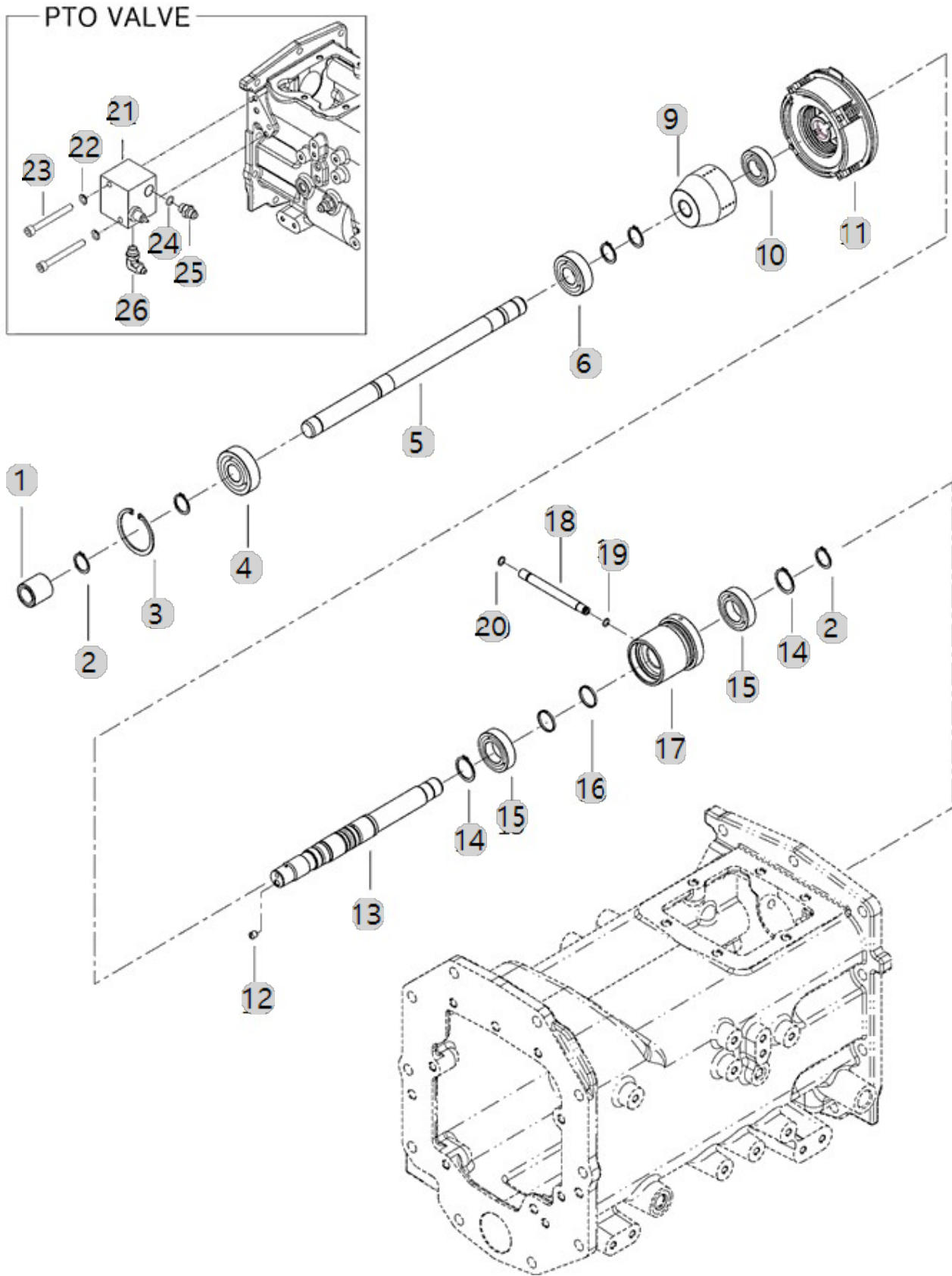
F07070

BRANSON K3CH
TM_US(AC01569)

P.T.O SHAFT

Year/Month

2022-12-15



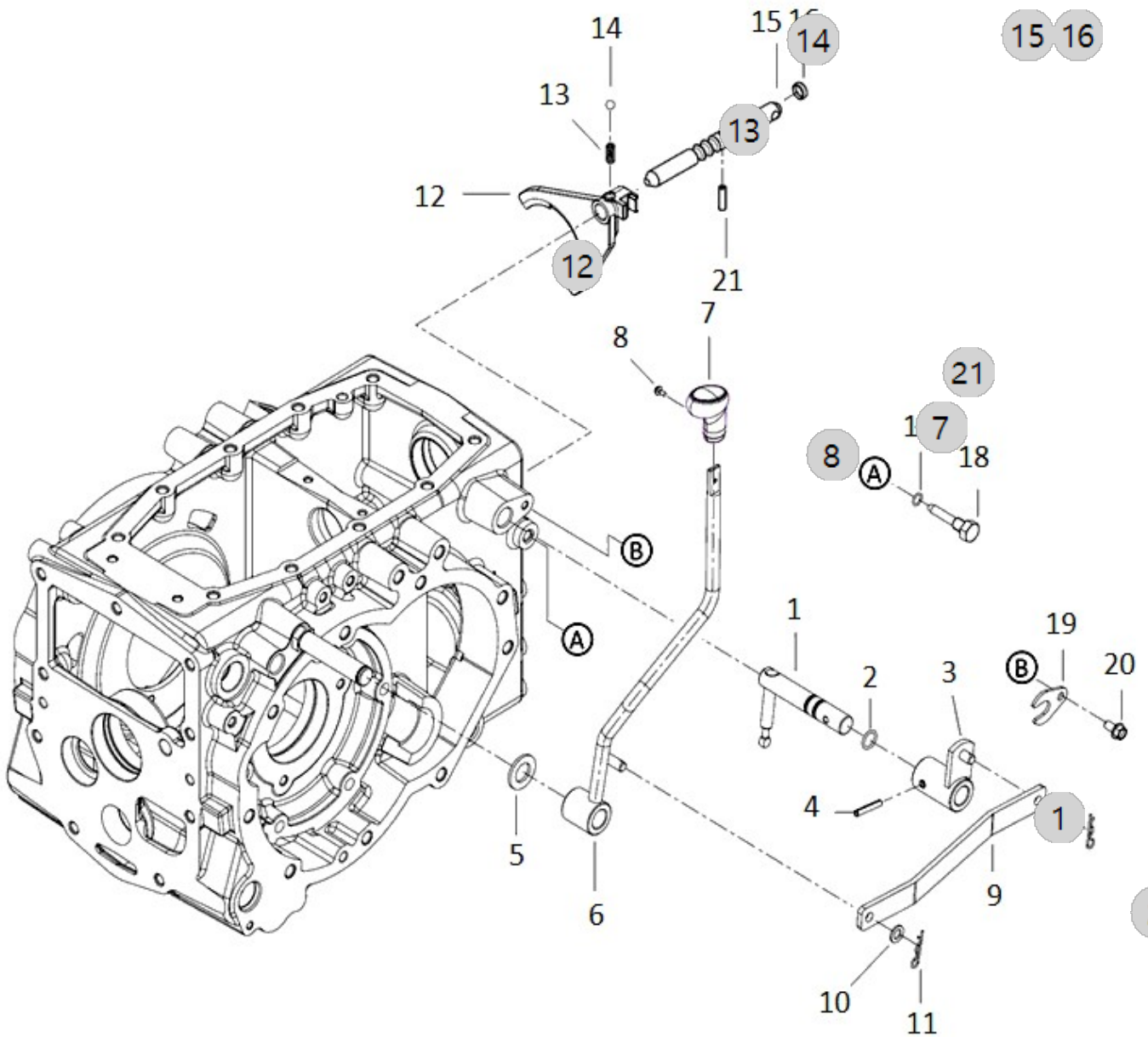
F08060

BRANSON K3CH
TM_US(AC01569)

FORK, PTO SHIFT

Year/Month

2022-12-15



15 16

21

7

17

18

19

20

1

4

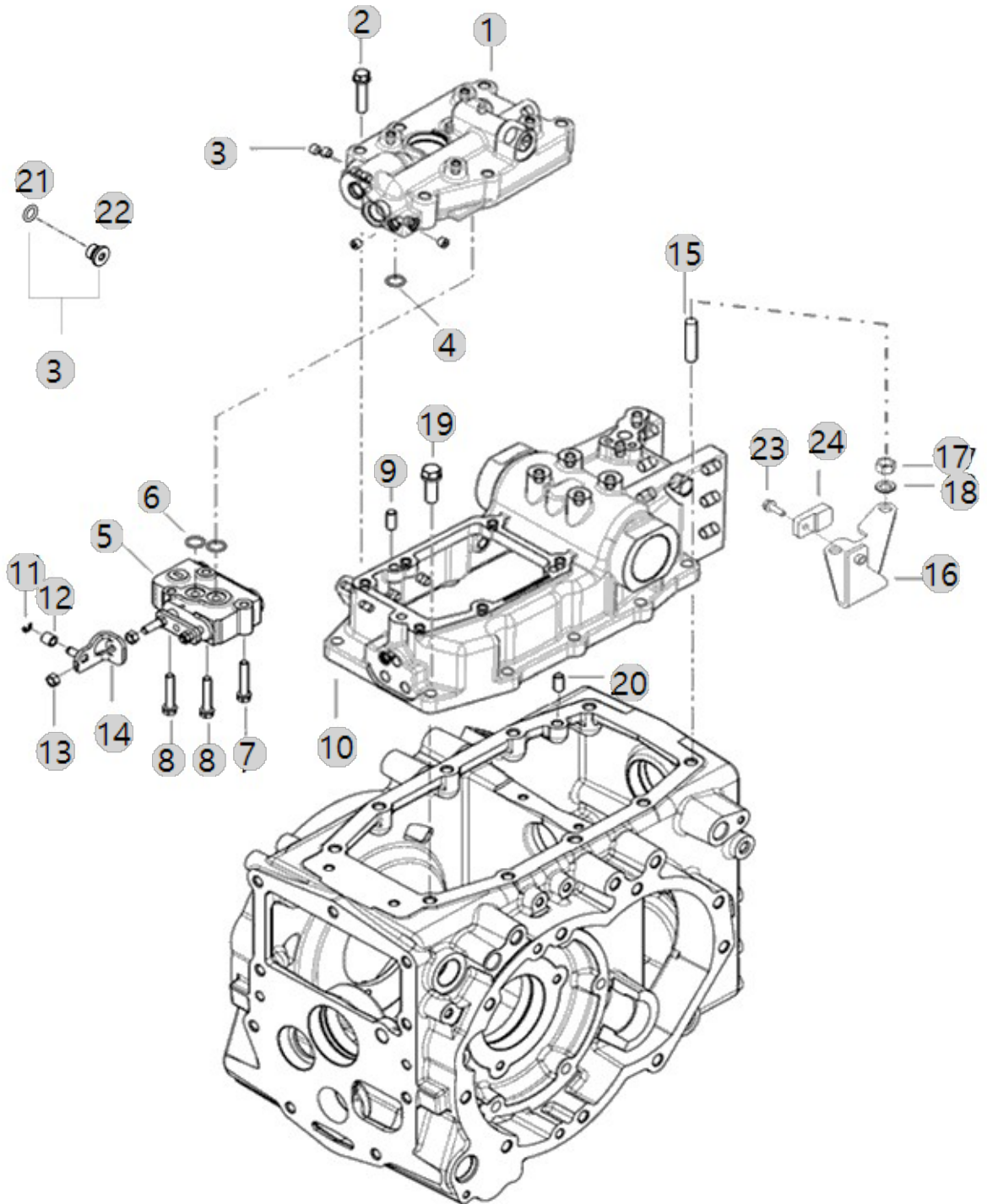
F10010

BRANSON K3CH
TM_US(AC01569)

CASE, HYD CYLINDER

Year/Month

2022-12-15



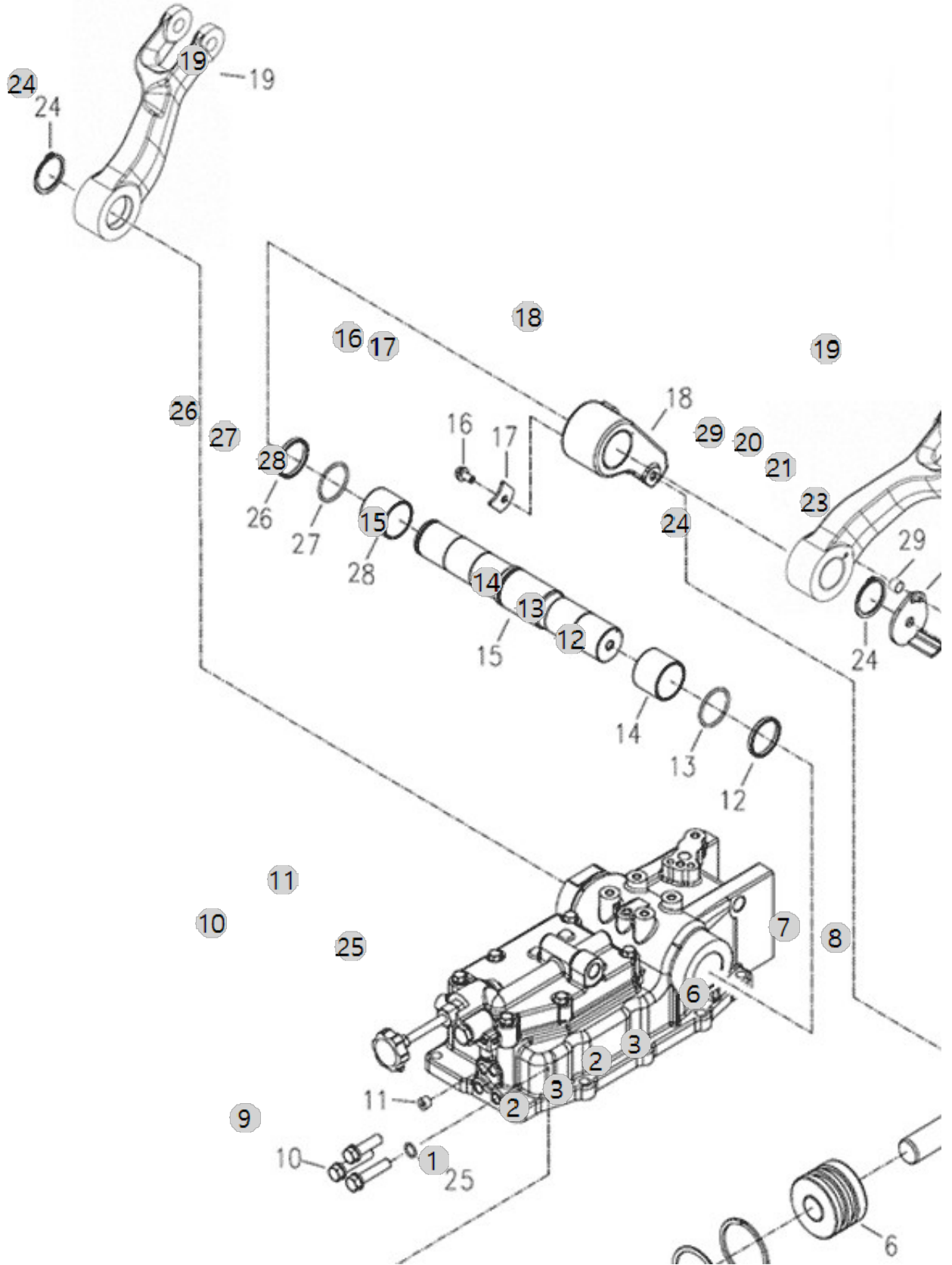
F10020

BRANSON K3CH
TM_US(AC01569)

LIFT ARM

Year/Month

2022-12-15



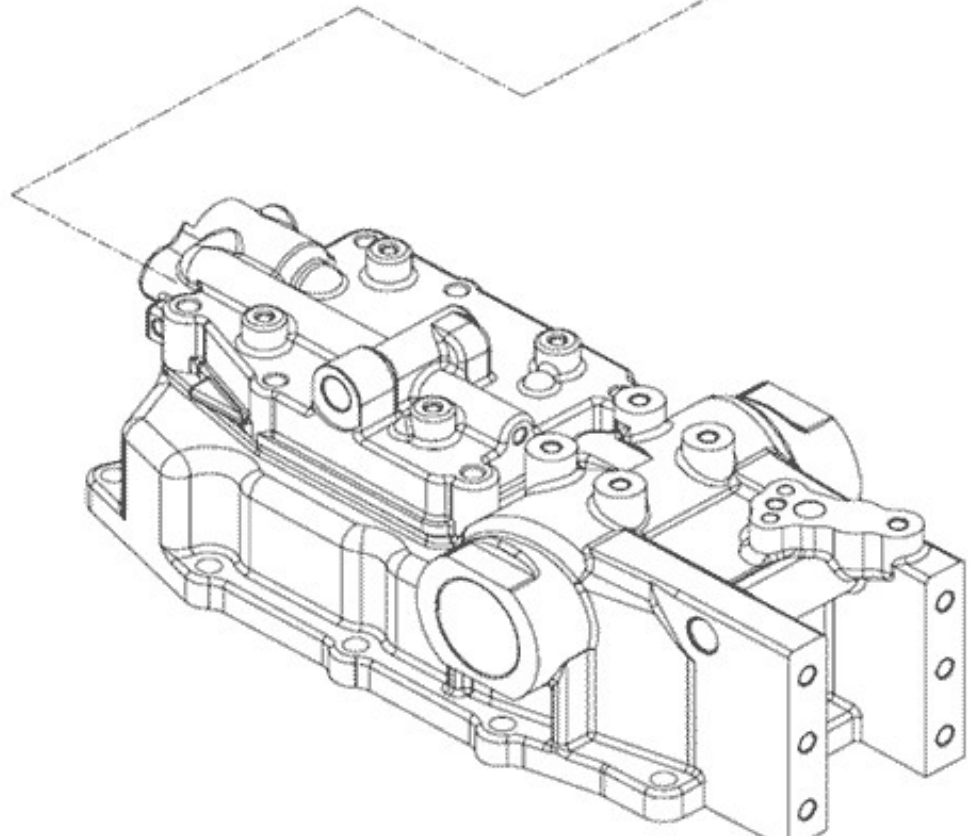
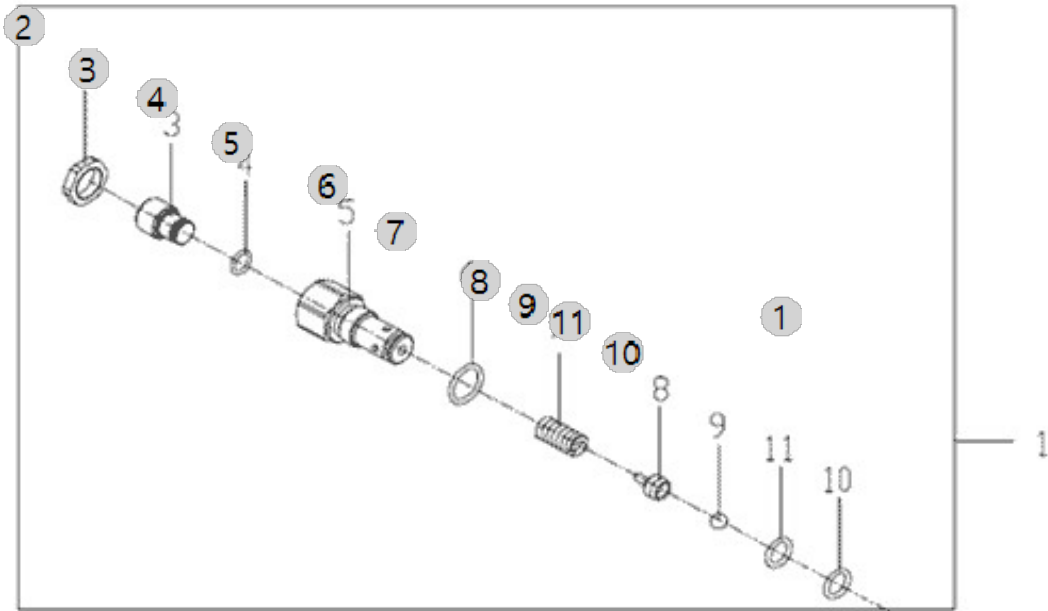
F10030

BRANSON K3CH
TM_US(AC01569)

SAFETY VALVE

Year/Month

2022-12-15



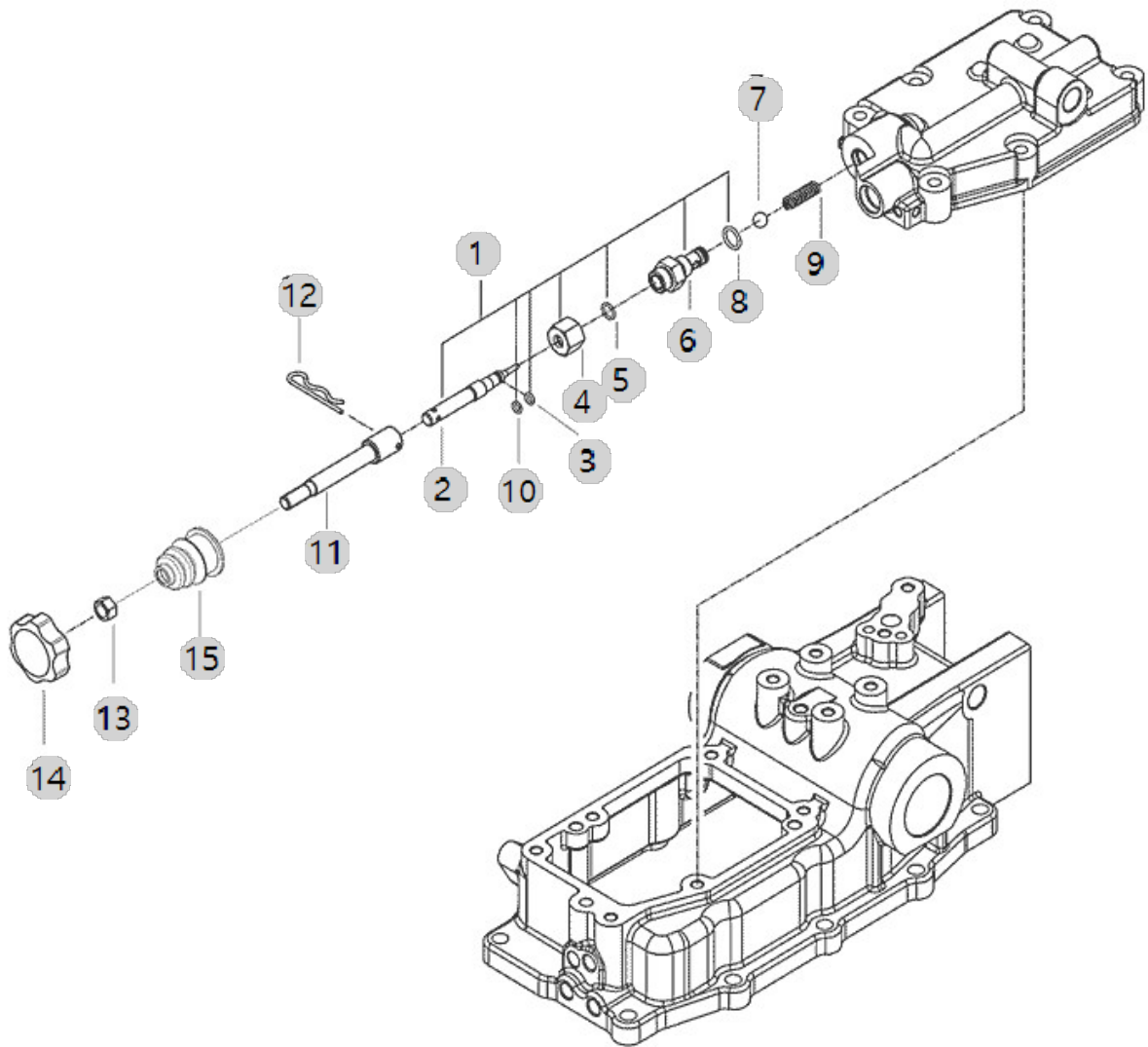
F10040

BRANSON K3CH
TM_US(AC01569)

STOP VALVE

Year/Month

2022-12-15



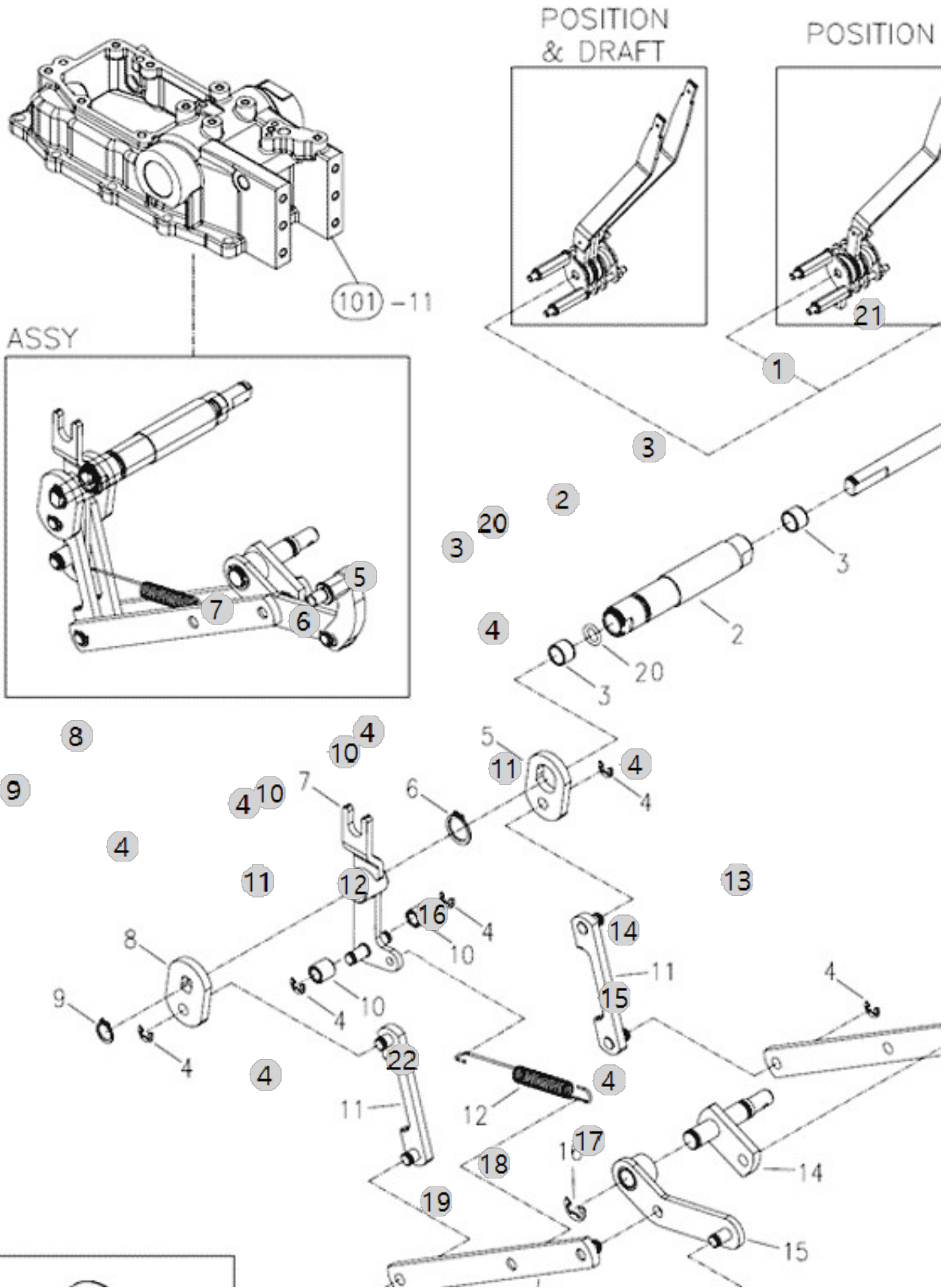
F10061

BRANSON K3CH
TM_US(AC01569)

DRAFT/POSITION CONTROL LEVER

Year/Month

2022-12-15



F10063

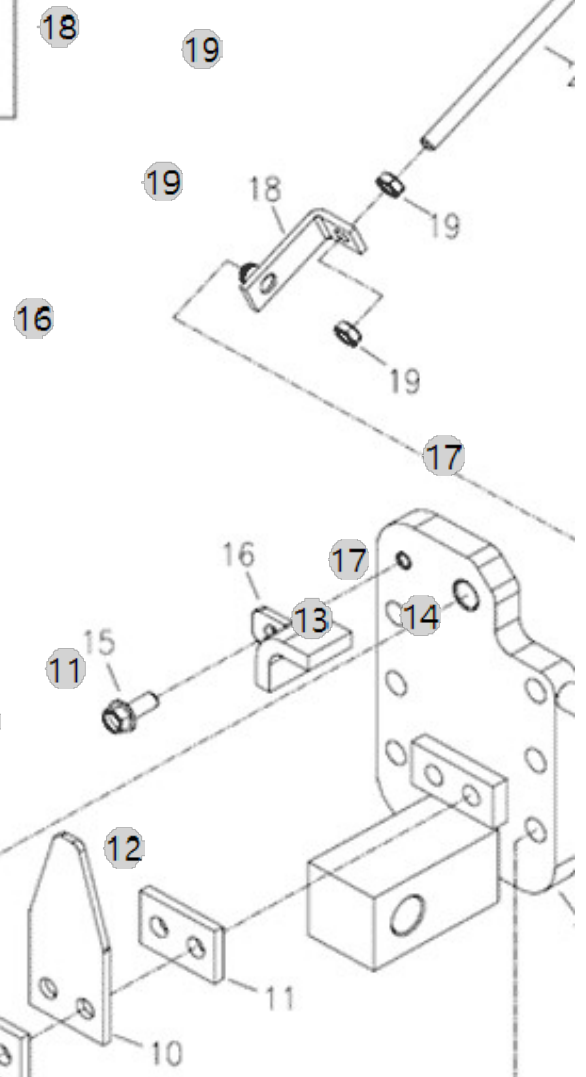
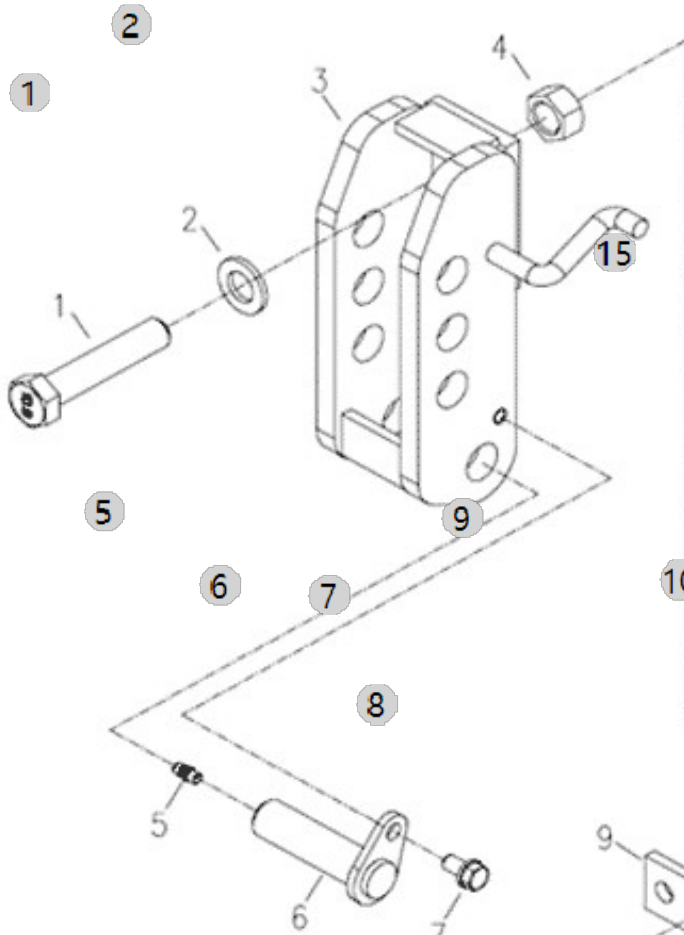
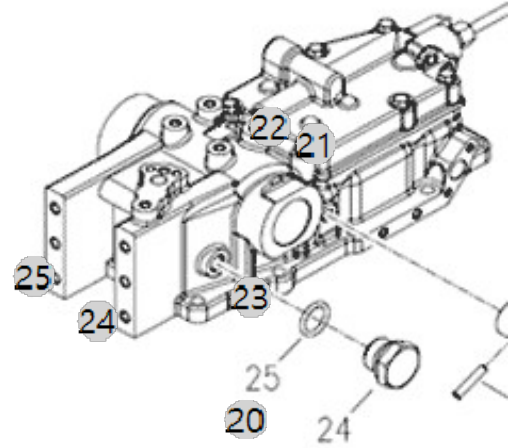
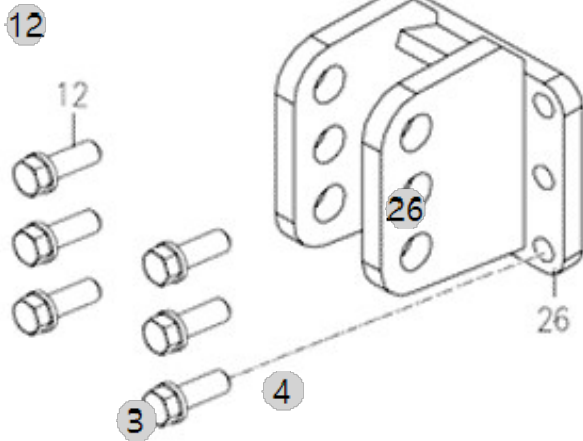
BRANSON K3CH
TM_US(AC01569)

DRAFT CONTROL LEVER

Year/Month

2022-12-15

POSITION



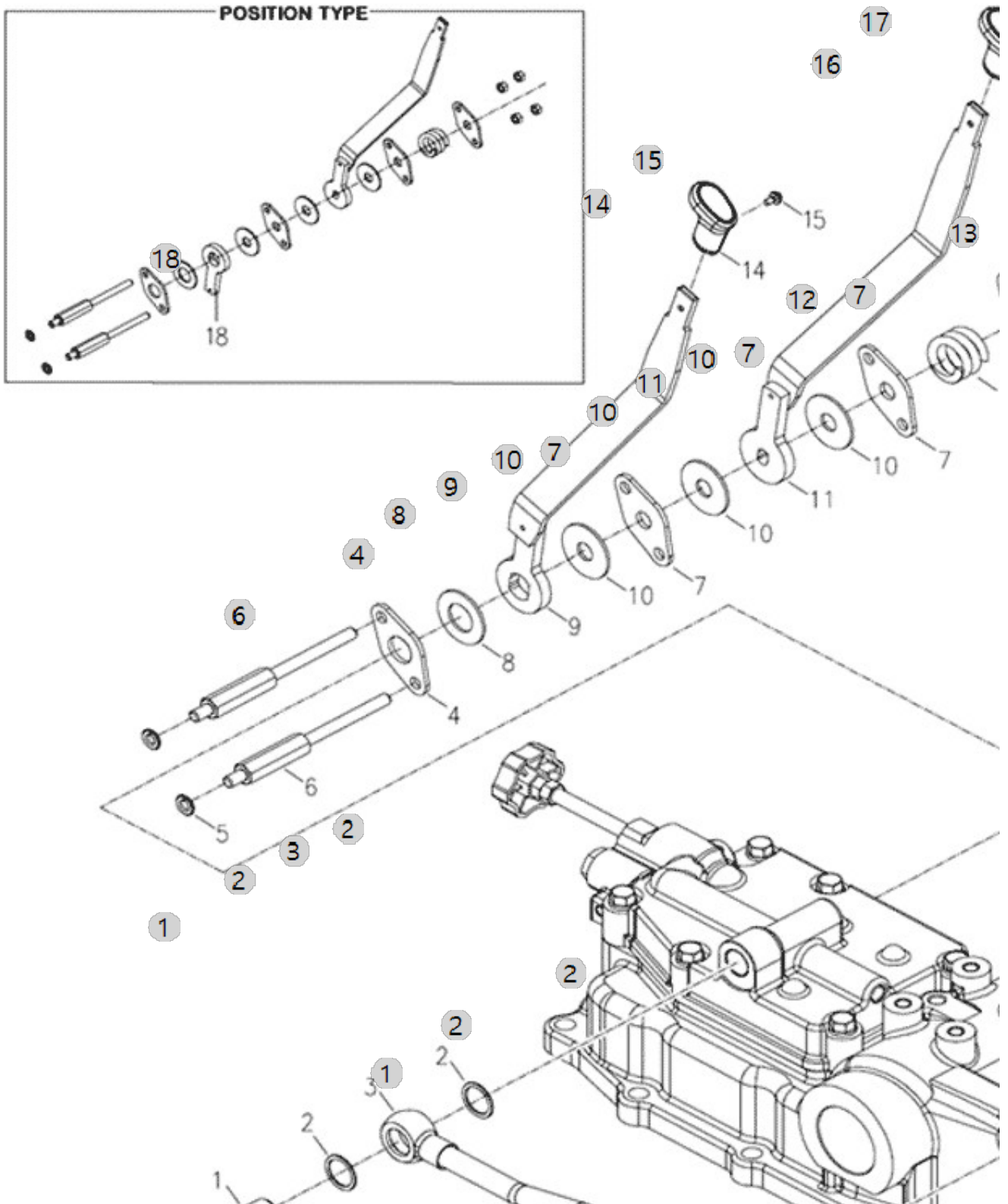
F10064

BRANSON K3CH
TM_US(AC01569)

POSITION CONTROL LEVER

Year/Month

2022-12-15



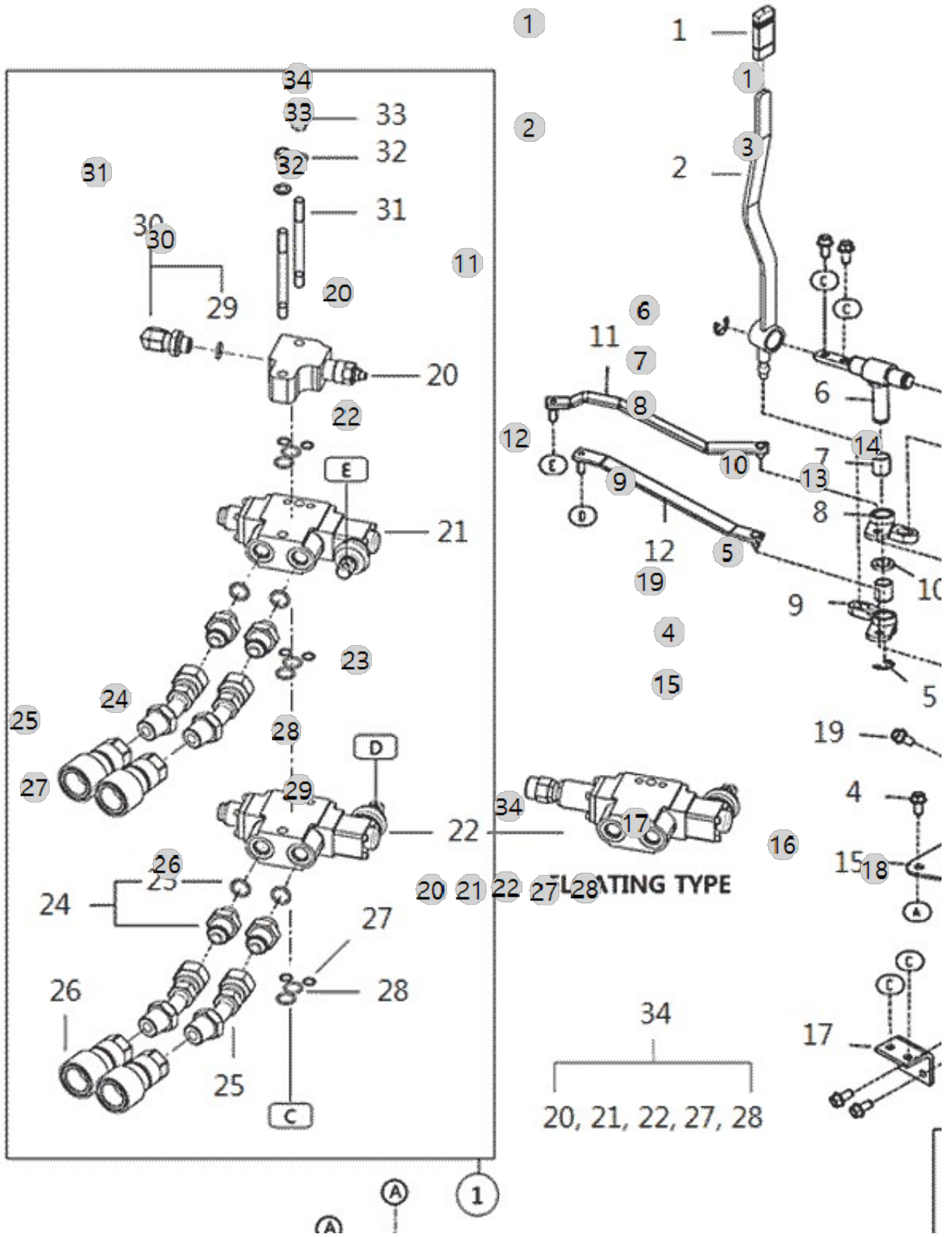
F10120

BRANSON K3CH
TM_US(AC01569)

REAR SCV

Year/Month

2022-12-15



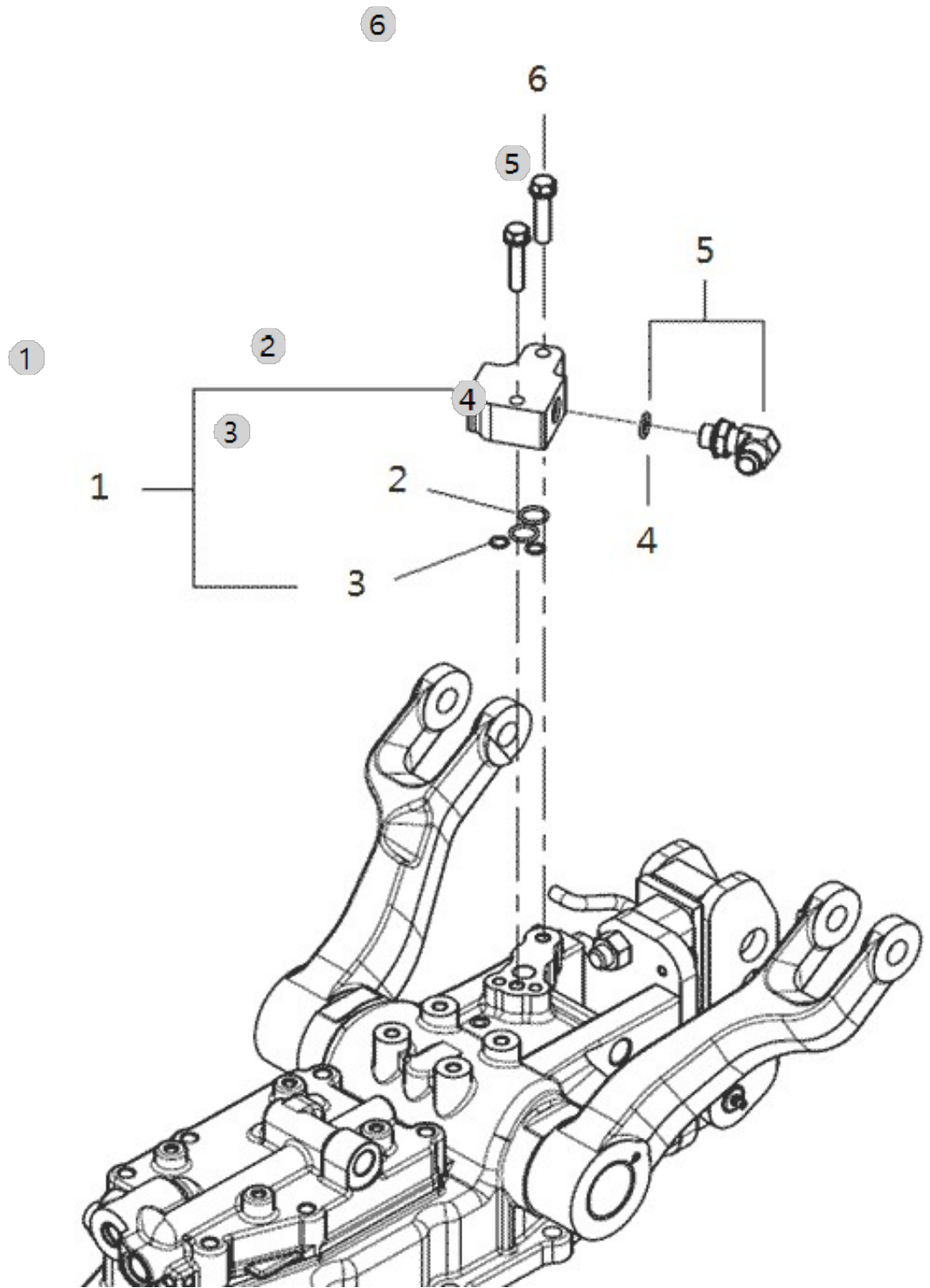
F10130

BRANSON K3CH
TM_US(AC01569)

BLOCK, REAR

Year/Month

2022-12-15



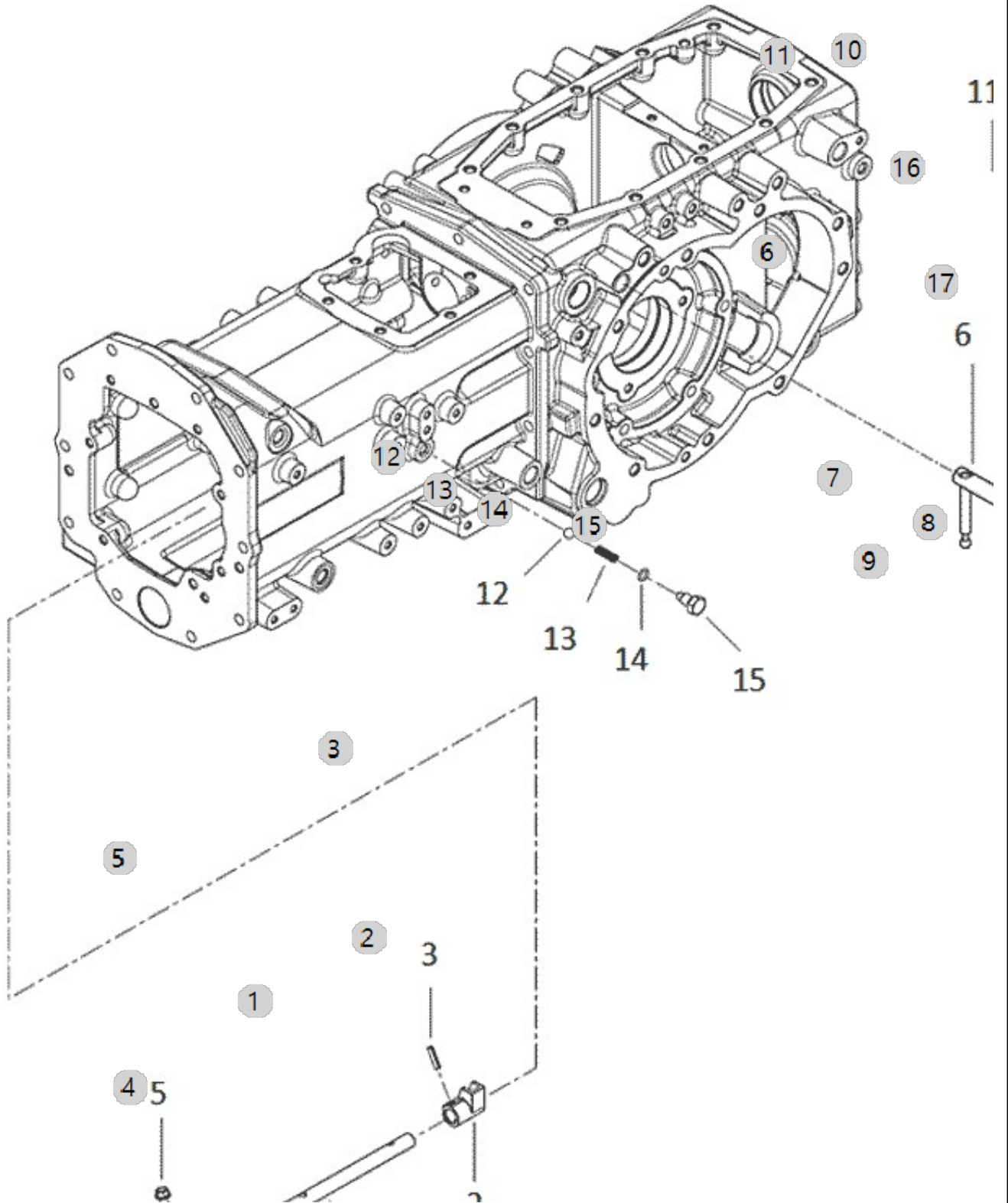
F11020

BRANSON K3CH
TM_US(AC01569)

LEVER ASS'Y, RANGE SHIFT

Year/Month

2022-12-15



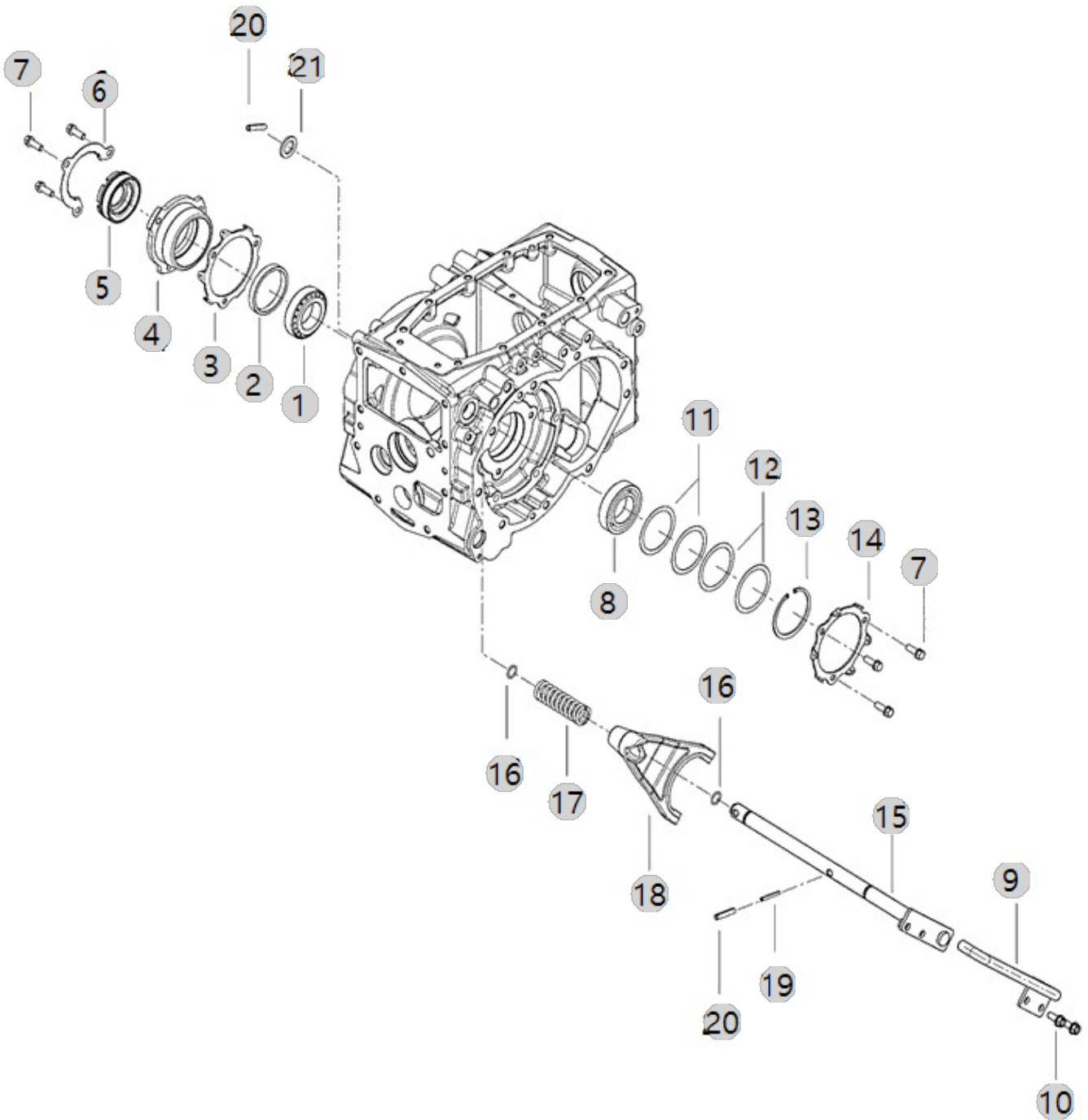
F11060

BRANSON K3CH
TM_US(AC01569)

DIFFERENTIAL

Year/Month

2022-12-15



F11080

BRANSON K3CH
TM_US(AC01569)

4WD LEVER

Year/Month

2022-12-15

