

T1104SPEUA

Parts Catalog

목 차

1. Engine PART NO. EG

FIG 101 CYLINDER HEAD	9
FIG 102 CYLINDER HEAD COVER	11
FIG 103 WATER PUMP	13
FIG 104 THERMOSTAT	15
FIG 105 BREATHER	17
FIG 106 COOLING WATER PIPE	19
FIG 107 VALVE	21
FIG 108 ROCKER ARM	23
FIG 109 TAPPET & PUSH ROD	25
FIG 110 CAMSHAFT	27
FIG 111 CAMSHAFT DRIVE	29
FIG 112 CYLINDER BLOCK	31
FIG 113 OIL SPRAY NOZZLE	33
FIG 114 FLYWHEEL HOUSING	35
FIG 115 ENGINE LIFTING	37
FIG 116 ENGINE MOUNTING	39
FIG 117 OIL PUMP	41
FIG 118 OIL FILTER	43
FIG 119 OIL PAN	45
FIG 120 OIL PIPE	47
FIG 121 OIL SEAL	49
FIG 122 PISTON	51
FIG 123 CONNECTING ROD	53
FIG 124 CRANKSHAFT	55
FIG 125 CRANKSHAFT PULLEY	57
FIG 126 INJECTION PUMP	59
FIG 127 INJECTION NOZZLE	61
FIG 128 INJECTION PIPE	63
FIG 129 FUEL LINE	65
FIG 130 FUEL FILTER	67
FIG 131 EXHAUST MUFFLER	69

FIG 132 INTAKE MANIFOLD	71
FIG 133 EXHAUST MANIFOLD	73
FIG 134 TURBOCHARGER	75
FIG 135 EGR	77
FIG 136 INTAKE STAKE	79
FIG 137 STARTER	81
FIG 138 ALTERNATOR	83
FIG 139 WIRE HARNESS	85
FIG 140 SWITCH & SENSOR	87
FIG 141 E.C.U	89
FIG 142 ALTERNATOR MOUNTING	91
FIG 143 POWER TAKE OFF	93
FIG 144 COOLING FAN	95
FIG 145 GENERAL ACCESSORIES-FIE&AFTER TREATMENT	97
FIG 146 GENERAL ACCESSORIES-ELECTRIC	99

2. Engine Accessories PART NO. T2

FIG 201 AIR CLEANER	102
FIG 202 RADIATOR	104
FIG 203 EXHAUST PIPE	107
FIG 205 FUEL TANK & FUEL LINES	109
FIG 206 CABLE, THROTTLE & ACCELERATOR ASSY	112
FIG 207 INTERCOOLER	114

3. Clutch/Brake/Steering PART NO. T3

FIG 301 DAMPER FLANGE ASSY	117
FIG 302 CASE SUB ASSY, BRAKE	119
FIG 303 BRAKE PIPES	121
FIG 303-2 BRAKE	123
FIG 304 FRONT WHEEL	125
FIG 305 REAR WHEEL	127
FIG 306 STEERING WHEEL ASSY	129
FIG 307 POWER STEERING VALVE	131
FIG 308 POWER STEERING CYLINDER	133
FIG 309 SUB CLUTCH PEDAL	135
FIG 310 HAND BRAKE SUB	137

4. Transmission PART NO. T4

FIG 401 CASE SUB, RR TRANSMISSION	140
FIG 402 METAL SUB ASSY, PINION	142
FIG 402-2 DIFF ASSY, RR	144
FIG 403 SUB CHANGE GEARS	146
FIG 404 SUB CHANGE LEVER	148
FIG 405 4WD DRIVE GEARS	150
FIG 406 HOUSING, RR AXLE	152
FIG 407 540,750,1000 PTO CASE	154
FIG 408 SHAFT, PTO	156
FIG 408-2 PTO CLUTCH ASSY	158
FIG 409 METAL SUB ASSY	160
FIG 410 CASE, MID TRANSMISSION	162
FIG 411 MAIN CHANGE GEARS	164
FIG 412 MAIN CHANGE LEVER	166
FIG 413 PARKING BRAKE	168
FIG 414 POWER SHUTTLE GEAR	170
FIG 415 POWER SHIFT GEAR	172
FIG 416 CASE, FR TRANSMISSION	174

5. Front Axle PART NO. T5

FIG 501 FRONT AXLE SUPPORTER	177
FIG 502 FRONT DRIVE SHAFT	180
FIG 503 FRONT AXLE HOUSING	182
FIG 504 FRONT DIFFERENTIAL GEARS	184
FIG 505 FRONT GEAR CASE (1)	186
FIG 506 FRONT GEAR CASE (2)	188
FIG 507 FRONT GEAR CASE (3)	190
FIG 508 MUD GUARD ASSY	192

6. Hydraulic/3P-Link PART NO. T6

FIG 601 VALVE SUB, SHIFT	195
FIG 601-2 VALVE SUB, MAIN	197
FIG 602 DRAWBAR ASSY	199

FIG 603 FILTER SUB, SUCTION	201
FIG 603-2 GEAR PUMP ASSY	203
FIG 604 CASE, CYLINDER	205
FIG 605 ARM SUB, LIFT	207
FIG 606 MAIN CONTROL VALVE SUB	209
FIG 607 AUX VALVE & FILTER SUB	211
FIG 607-2 LEVER SUB, AUX	213
FIG 608 HITCH & 3-POINT LINK	215
FIG 608-2 LOWER LINK & LIFT ROD	217
FIG 609 HYDRAULIC PIPE & HOSES	219
FIG 610 JOYSTICK	221

7. Sheet Metal & Cabin PART NO. T7

FIG 701 FRONT FRAME SUB	224
FIG 702 FRAME, HOOD	226
FIG 703 HOOD	228
FIG 704 STEP & BOOTS	231
FIG 705 FRONT & REAR MOUNTING	233
FIG 706 SEAT & MAT	235
FIG 708 DOOR-LH	237
FIG 709 DOOR-RH	239
FIG 710 FRAME COMP & FRONT GLASS	241
FIG 711 SIDE GLASS	243
FIG 712 REAR GLASS	245
FIG 713 SUB FENDER & COVER	247
FIG 714 REARVIEW MIRRORS	249
FIG 715 HEATER & AIR-CON (1)	251
FIG 716 HEATER & AIR-CON (2)	253
FIG 717 ROOF	255
FIG 718 CABIN INTERIOR	257
FIG 719 DASHCOVER	259
FIG 720 TANK ASSY, WASH	261
FIG 721 ROOM MIRROR ASSY	263
FIG 722 COVER-FENDER&JOYSTICK LEVER	265

8. Electrical System PART NO. T8

FIG 801 BATTERY & MOUNTING	268
----------------------------	-----

FIG 802 ELECTRIC SYSTEM (1)	270
FIG 803 ELECTRIC SYSTEM (2)	272
FIG 804 ELECTRIC SYSTEM (3)	274
FIG 805 ELECTRIC SYSTEM (4)	276
FIG 806 ELECTRIC SYSTEM (5)	278
FIG 807 ELECTRIC SYSTEM (5)	280

9. Label/Option PART NO. T9

FIG 901 TOOL & ACCESSORY	283
FIG 902 WEIGHT	285
FIG 903 LABEL	287

1. Engine PART NO. EG

FIG 101 CYLINDER HEAD	9
FIG 102 CYLINDER HEAD COVER	11
FIG 103 WATER PUMP	13
FIG 104 THERMOSTAT	15
FIG 105 BREATHER	17
FIG 106 COOLING WATER PIPE	19
FIG 107 VALVE	21
FIG 108 ROCKER ARM	23
FIG 109 TAPPET & PUSH ROD	25
FIG 110 CAMSHAFT	27
FIG 111 CAMSHAFT DRIVE	29
FIG 112 CYLINDER BLOCK	31
FIG 113 OIL SPRAY NOZZLE	33
FIG 114 FLYWHEEL HOUSING	35
FIG 115 ENGINE LIFTING	37
FIG 116 ENGINE MOUNTING	39
FIG 117 OIL PUMP	41
FIG 118 OIL FILTER	43
FIG 119 OIL PAN	45
FIG 120 OIL PIPE	47
FIG 121 OIL SEAL	49
FIG 122 PISTON	51
FIG 123 CONNECTING ROD	53
FIG 124 CRANKSHAFT	55
FIG 125 CRANKSHAFT PULLEY	57
FIG 126 INJECTION PUMP	59
FIG 127 INJECTION NOZZLE	61
FIG 128 INJECTION PIPE	63
FIG 129 FUEL LINE	65
FIG 130 FUEL FILTER	67
FIG 131 EXHAUST MUFFLER	69
FIG 132 INTAKE MANIFOLD	71
FIG 133 EXHAUST MANIFOLD	73
FIG 134 TURBOCHARGER	75
FIG 135 EGR	77
FIG 136 INTAKE STAKE	79
FIG 137 STARTER	81
FIG 138 ALTERNATOR	83

FIG 139 WIRE HARNESS	85
FIG 140 SWITCH & SENSOR	87
FIG 141 E.C.U	89
FIG 142 ALTERNATOR MOUNTING	91
FIG 143 POWER TAKE OFF	93
FIG 144 COOLING FAN	95
FIG 145 GENERAL ACCESSORIES-FIE&AFTER TREATMENT	97
FIG 146 GENERAL ACCESSORIES-ELECTRIC	99

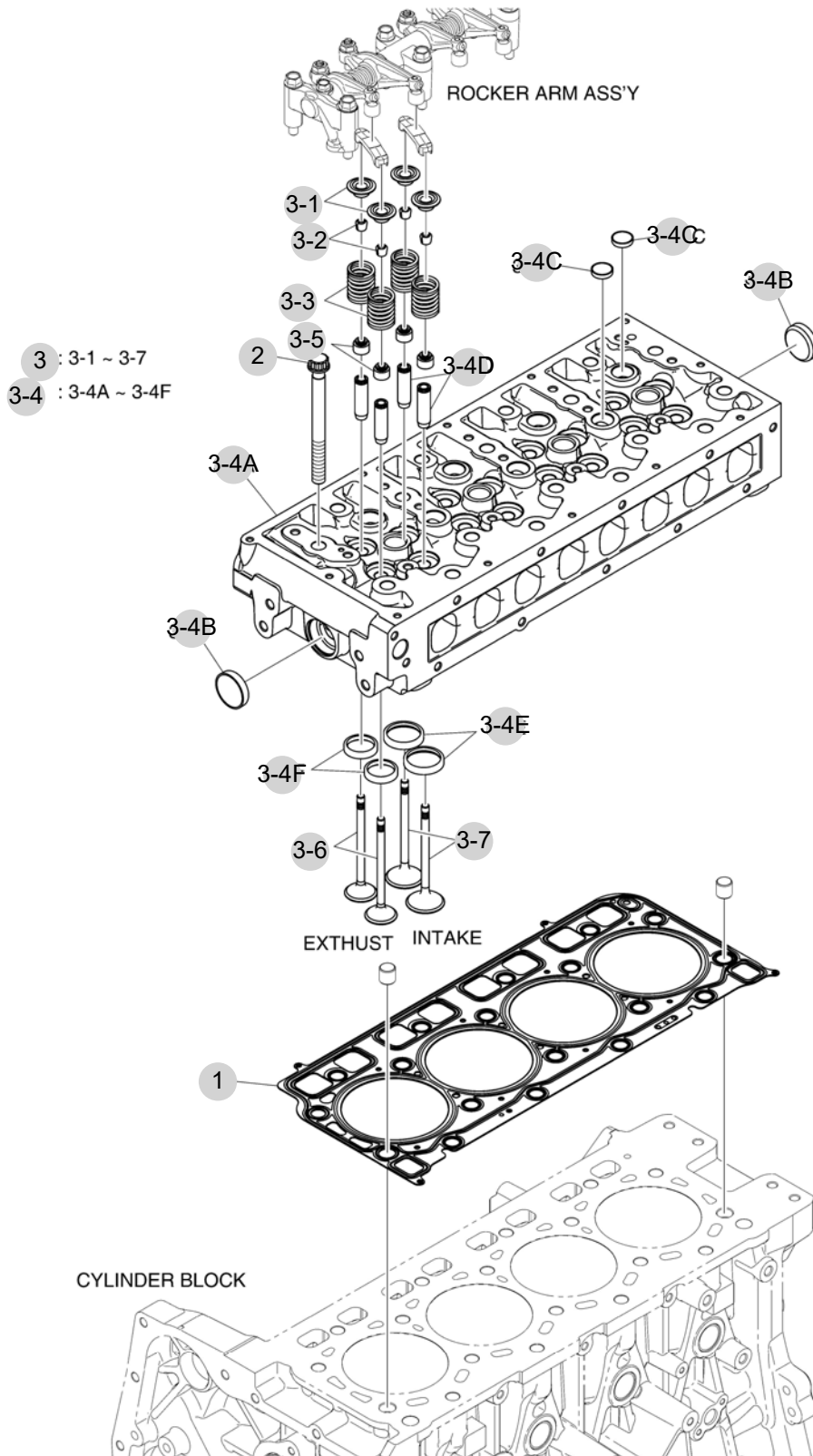
FIG 101

CYLINDER HEAD

년/월
Year/Month

2022-12

T1104SPEUA



EDL03-P101-010-1

NOTE

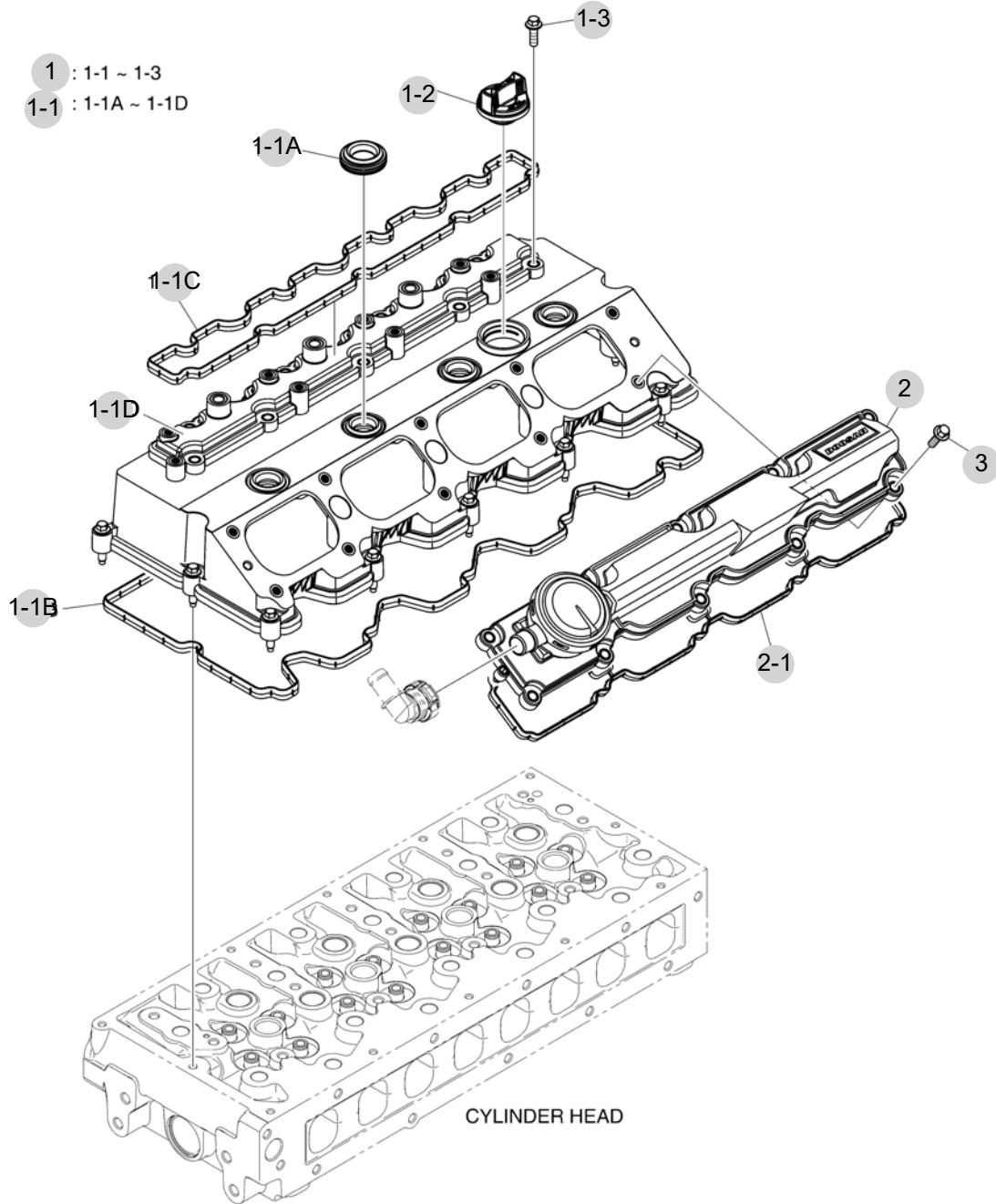
FIG 102

CYLINDER HEAD COVER

년/월
Year/Month

2022-12

T1104SPEUA



EDL03-P102-090-1

NOTE

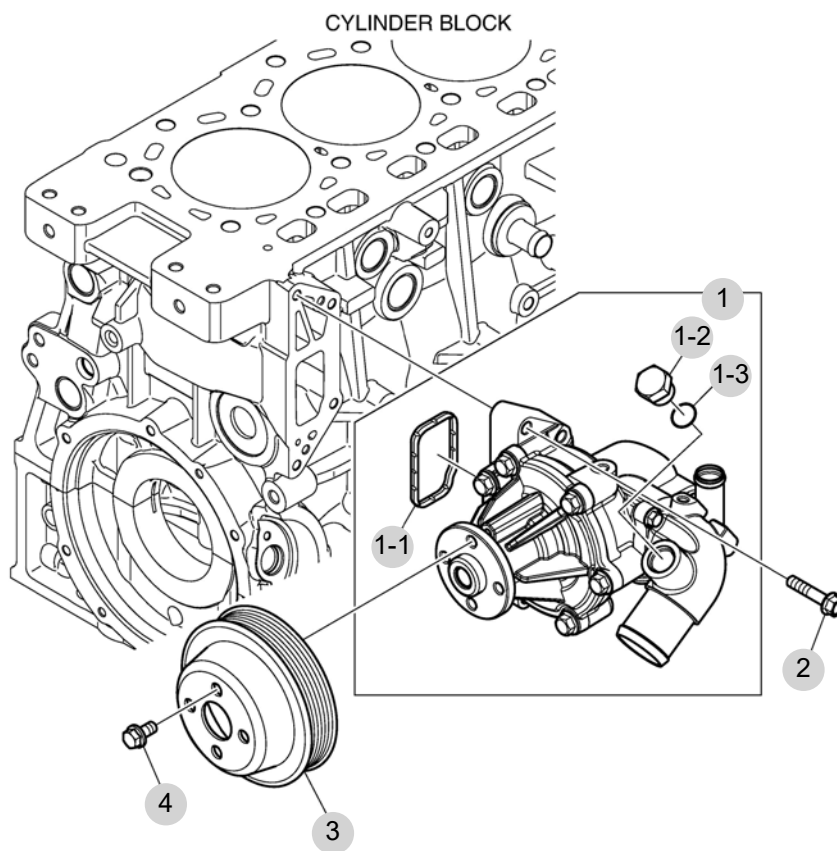
FIG 103

WATER PUMP

년/월
Year/Month

2022-12

T1104SPEUA



EDL03-P103-001-1

NOTE

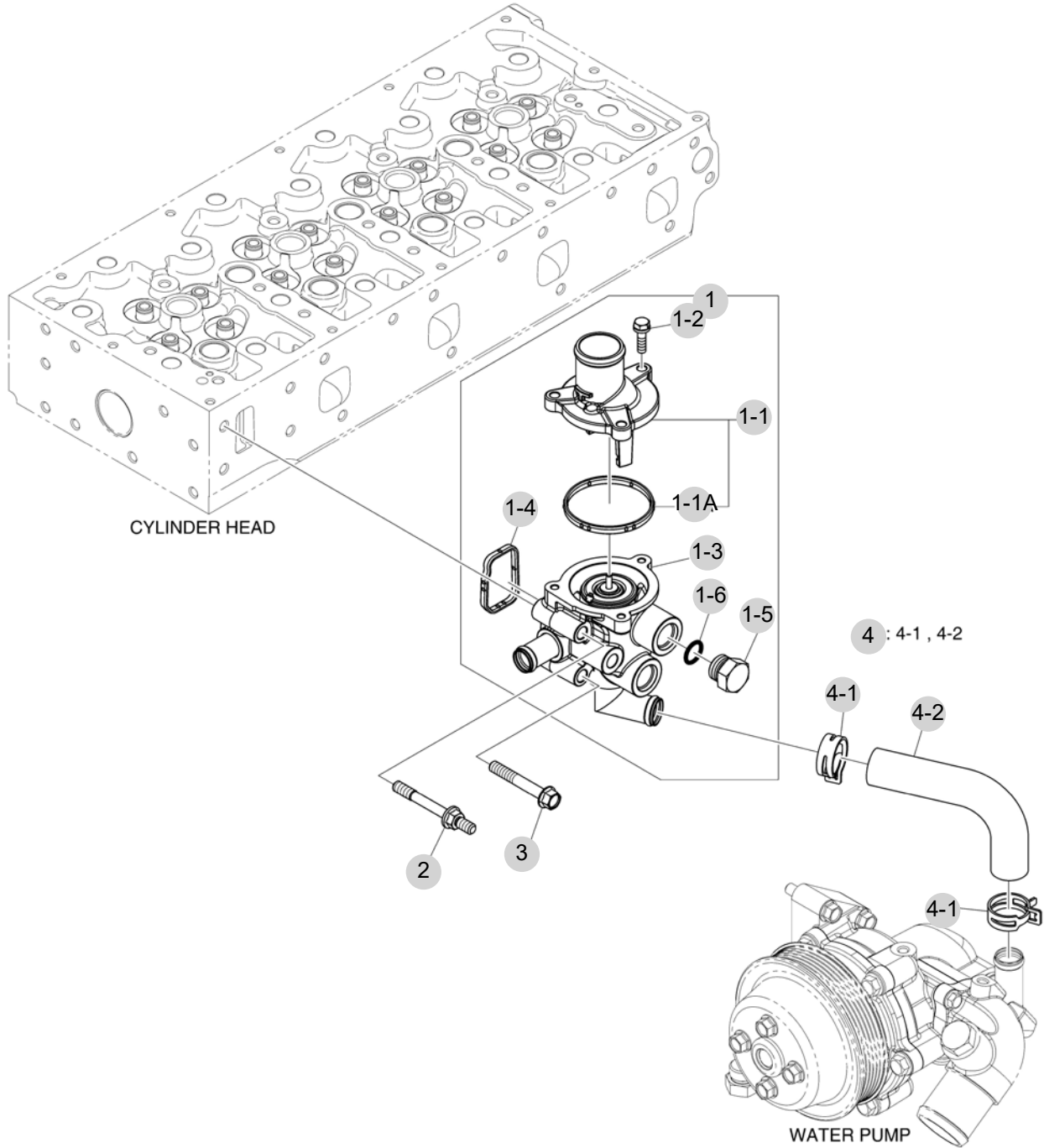
FIG 104

THERMOSTAT

년/월
Year/Month

2022-12

T1104SPEUA



EDL03-P104-090-1

NOTE

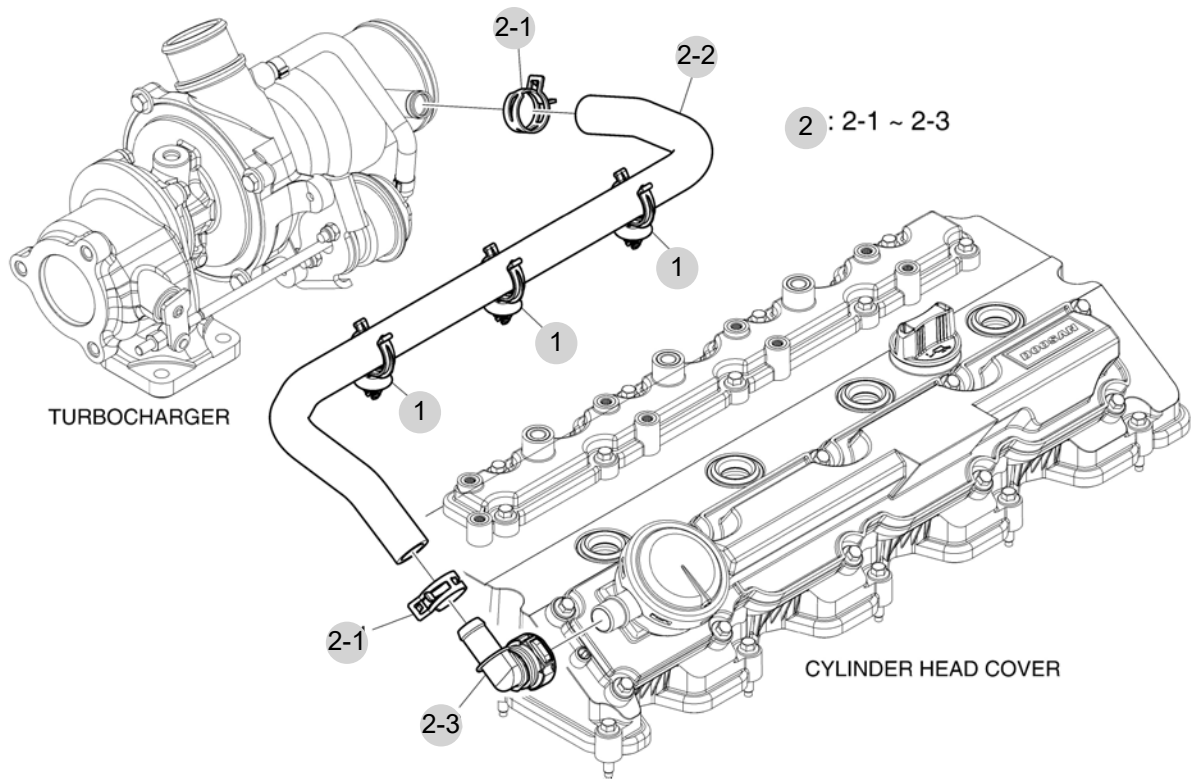
FIG 105

T1104SPEUA

BREATHER

년/월
Year/Month

2022-12



NOTE

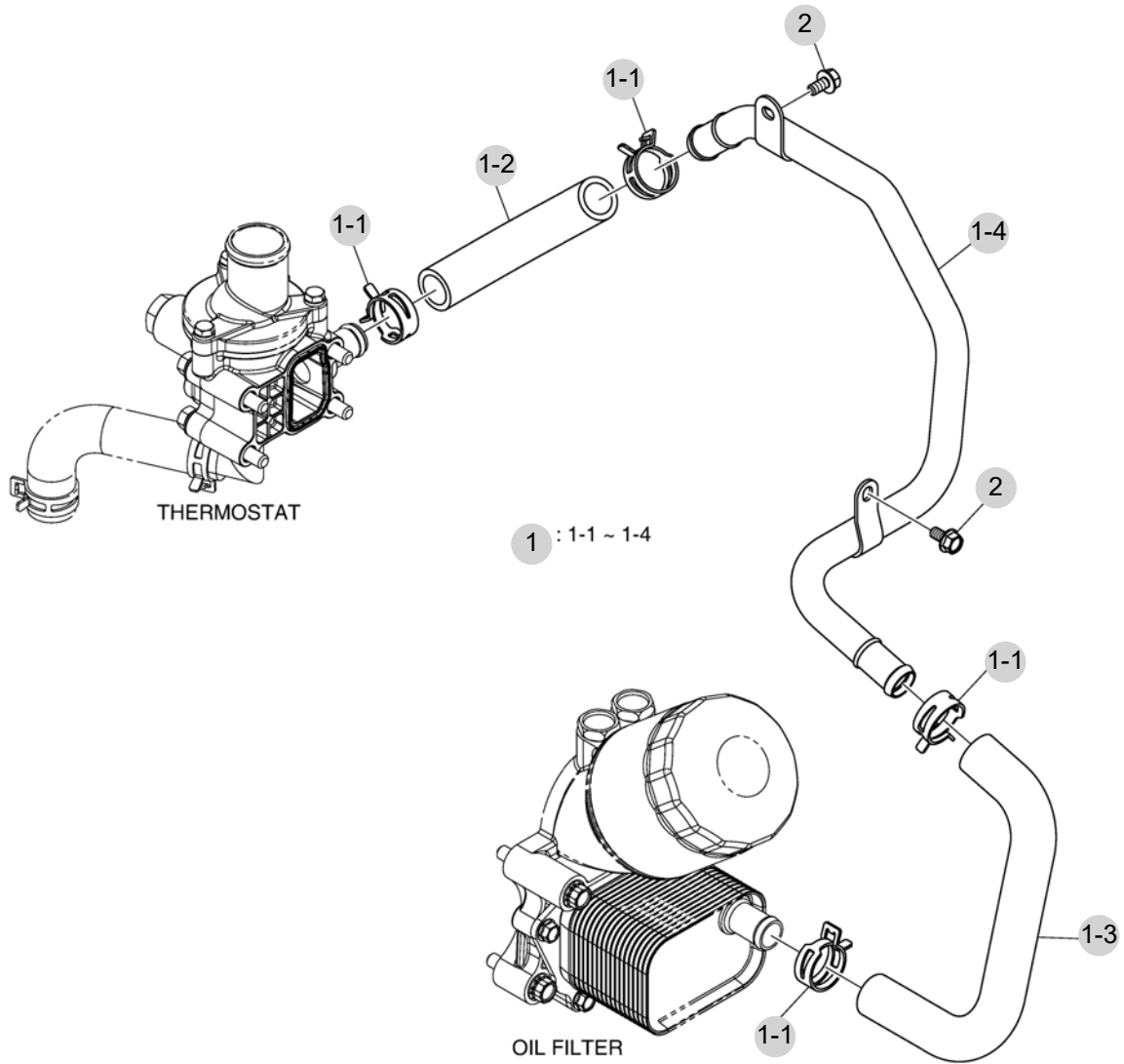
FIG 106

COOLING WATER PIPE

년/월
Year/Month

T1104SPEUA

2022-12



NOTE

FIG 106 T1104SPEUA		COOLING WATER PIPE					년/월 Year/Month	
							2022-12	
KEY NO	PART NO	DESCRIPTION	SPEC	QTY	REPAIR	EFFECTIVE DATE	REMARKS	
106	1	420211-01178	PIPE ASSY,COOLING WATER			1		
106	1-1	120202-00117	CLAMP,HOSE			4		
106	1-2	420109-00625	HOSE,COOLING WATER			1		
106	1-3	420109-01242	HOSE,COOLING WATER			1		
106	1-4	420211-01021	PIPE ASSY,WATER			1		
106	2	89CM612	BOLT,HEX FLANGE M6x1.0x12			2		
NOTE								

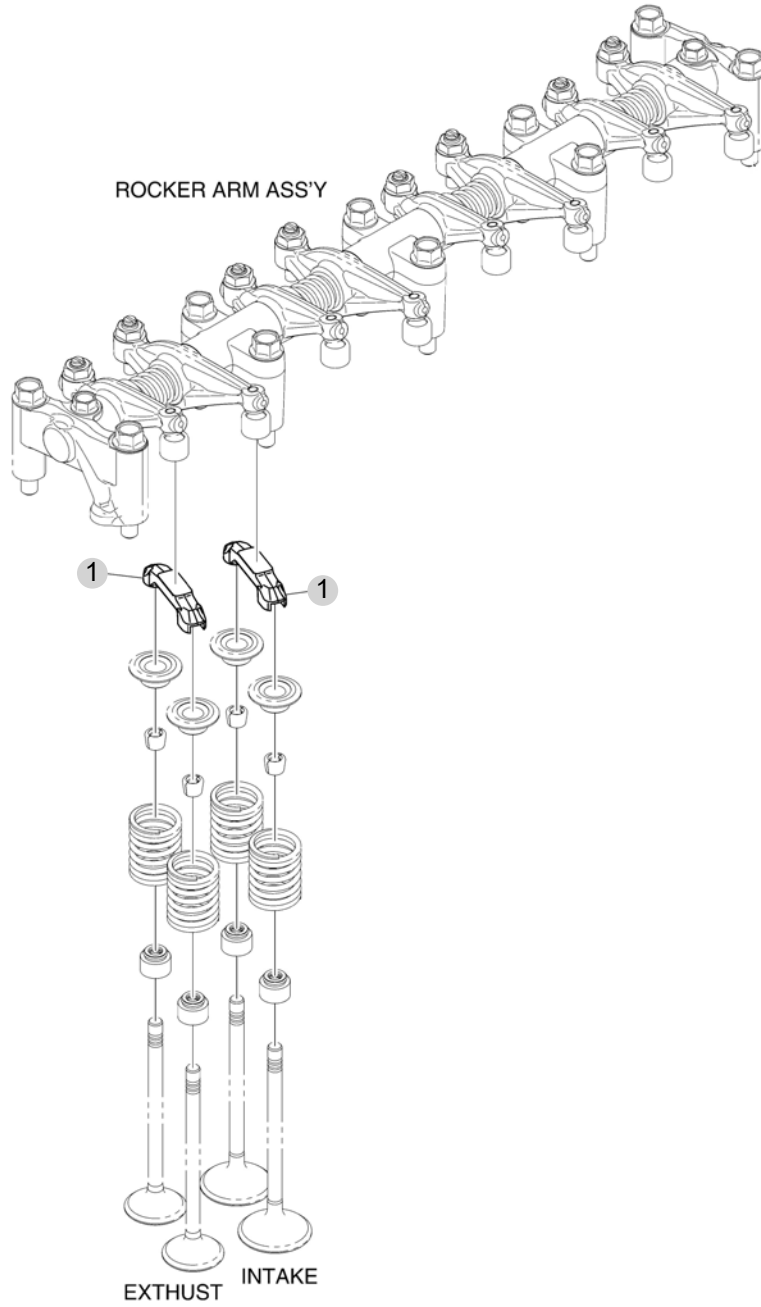
FIG 107

T1104SPEUA

VALVE

년/월
Year/Month

2022-12



NOTE

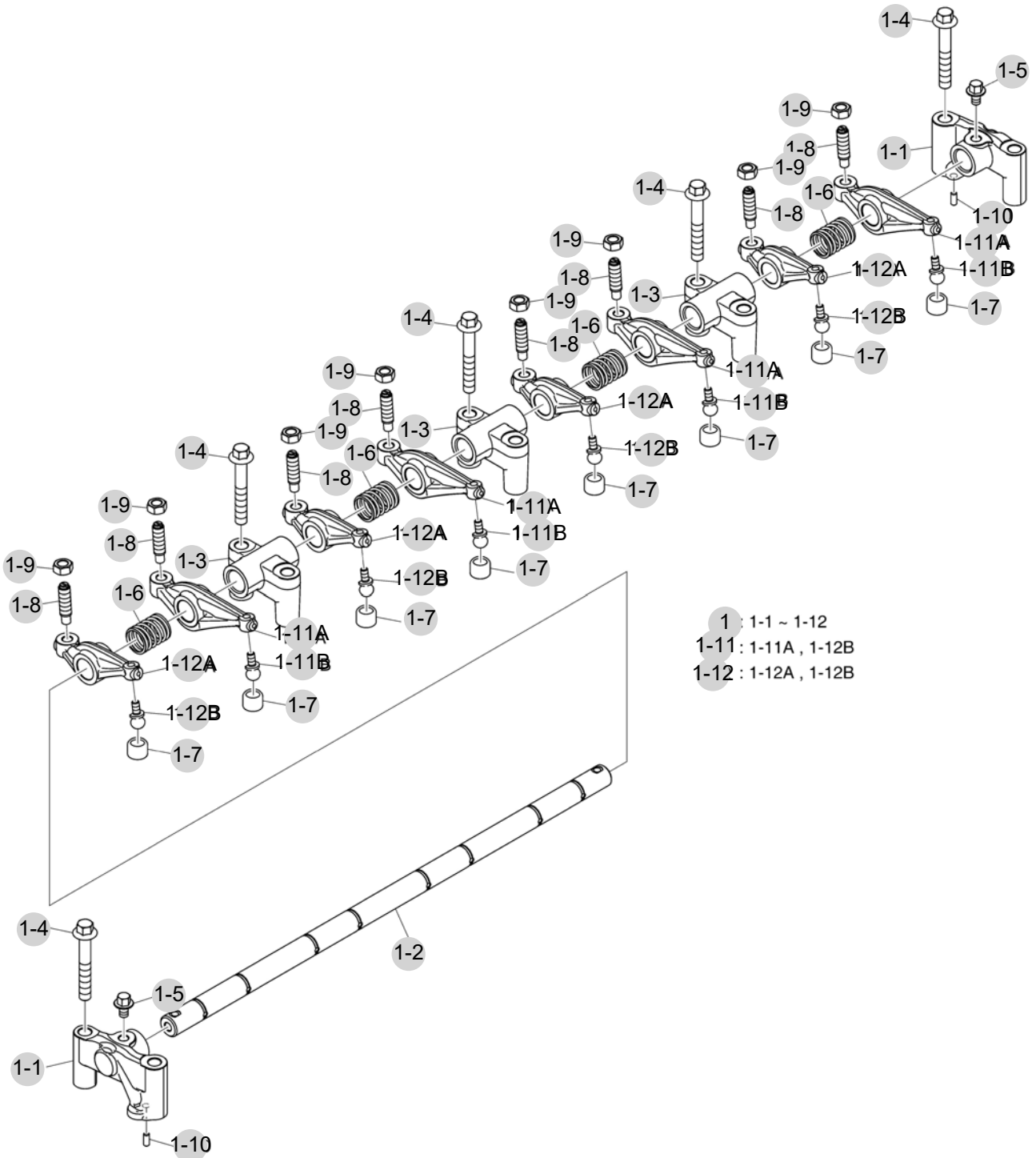
FIG 108

ROCKER ARM

년/월
Year/Month

T1104SPEUA

2022-12



NOTE

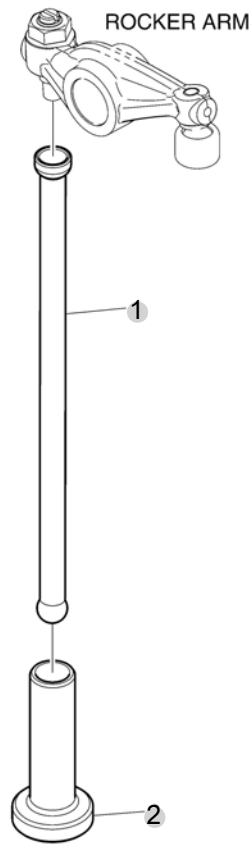
FIG 109

T1104SPEUA

TAPPET & PUSH ROD

년/월
Year/Month

2022-12



NOTE

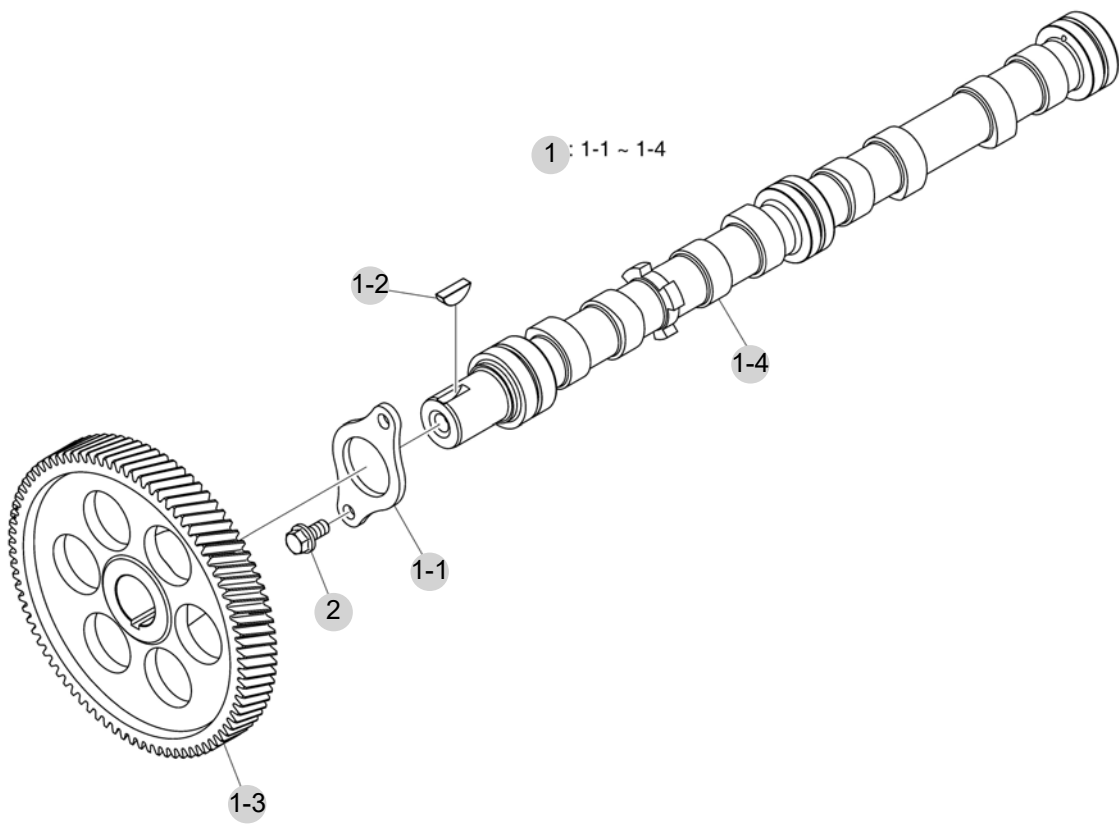
FIG 110

CAMSHAFT

년/월
Year/Month

T1104SPEUA

2022-12



NOTE

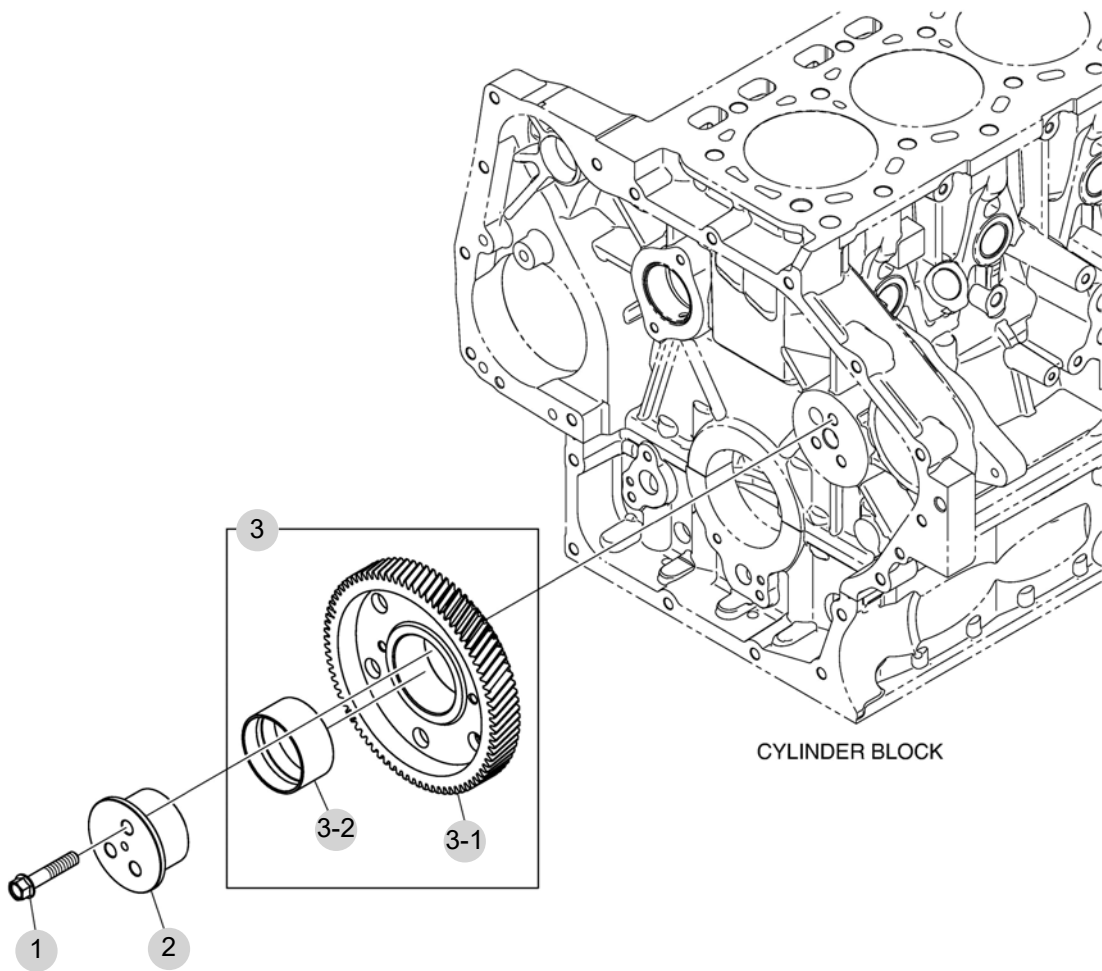
FIG 111

CAMSHAFT DRIVE

년/월
Year/Month

2022-12

T1104SPEUA



EDL03-P205-089-1

NOTE

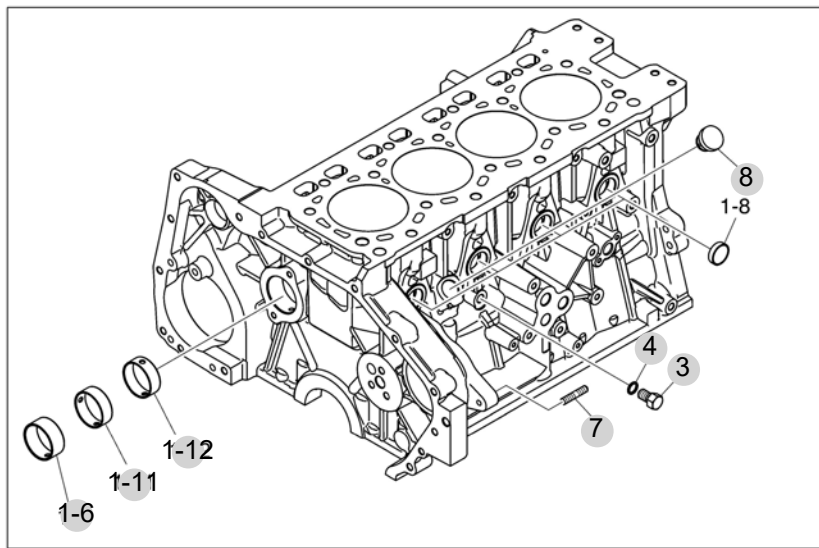
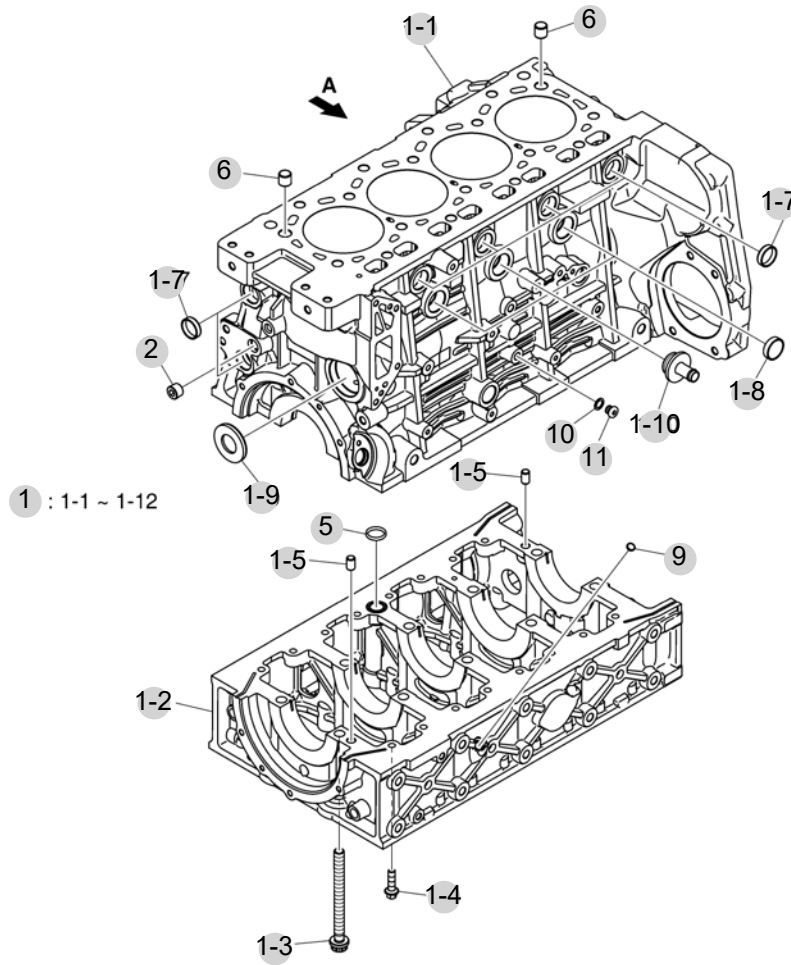
FIG 112

CYLINDER BLOCK

년/월
Year/Month

T1104SPEUA

2022-12



VIEW A

NOTE

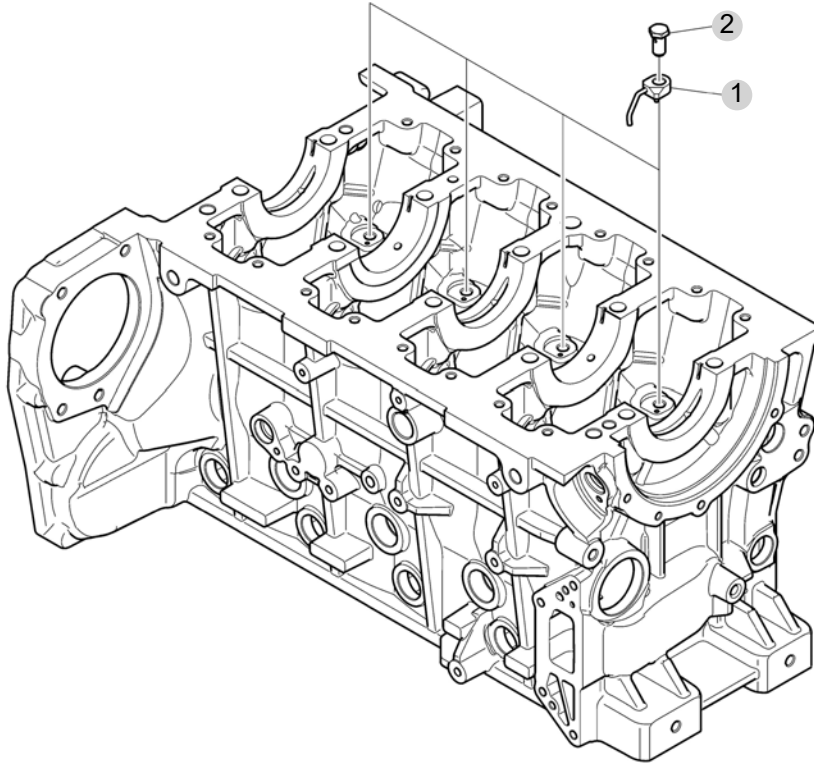
FIG 113

T1104SPEUA

OIL SPRAY NOZZLE

년/월
Year/Month

2022-12



NOTE

FIG 113

T1104SPEUA

OIL SPRAY NOZZLE

년/월
Year/Month

2022-12

KEY NO		PART NO	DESCRIPTION	SPEC	QTY	REPAIR	EFFECTIVE DATE	REMARKS
113	1	430218-00027A	NOZZLE ASSY,OIL SPRAY		4			
113	2	410127-00310	VALVE ASSY,RELIEF		4			
NOTE								

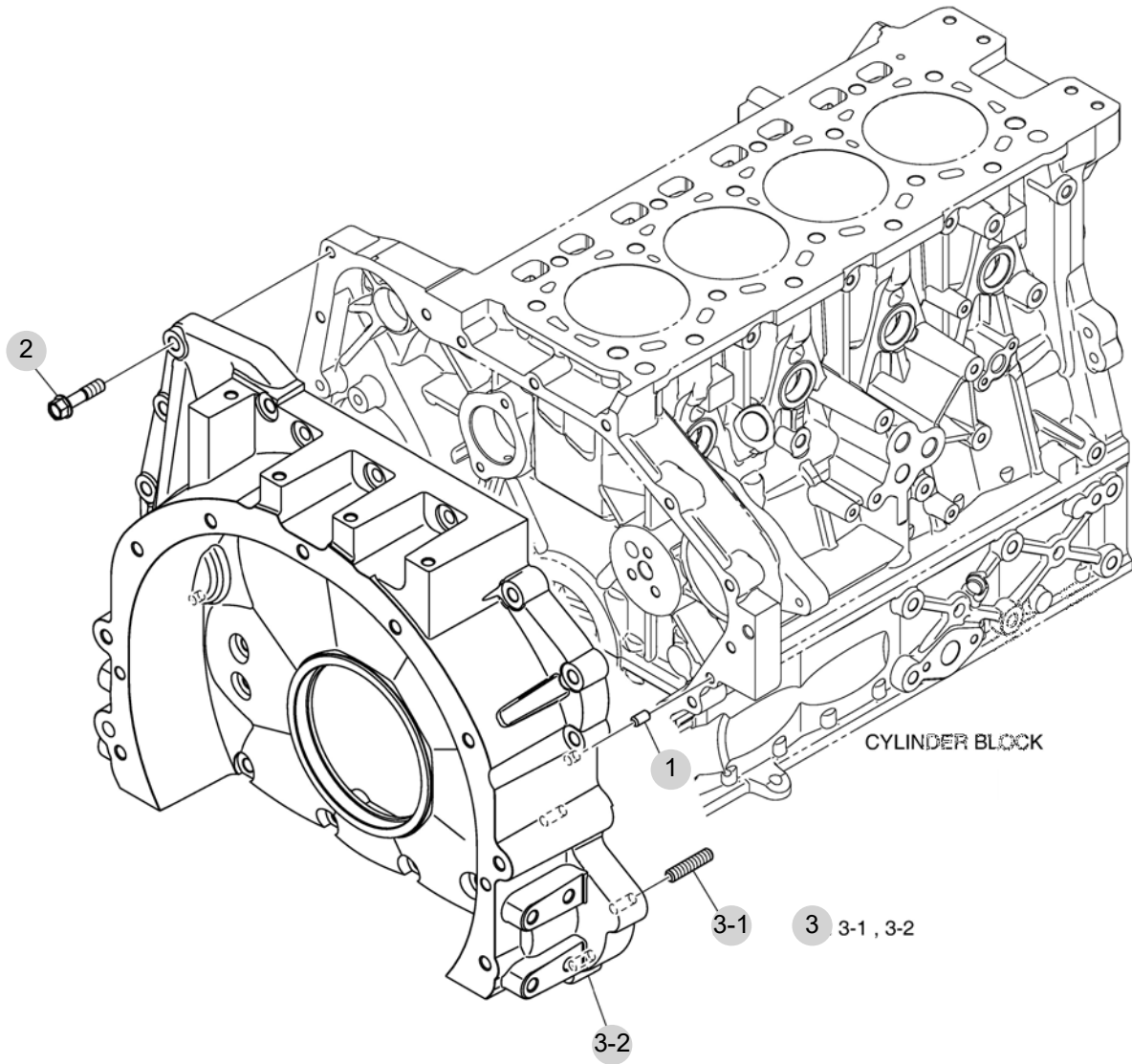
FIG 114

FLYWHEEL HOUSING

년/월
Year/Month

T1104SPEUA

2022-12



NOTE

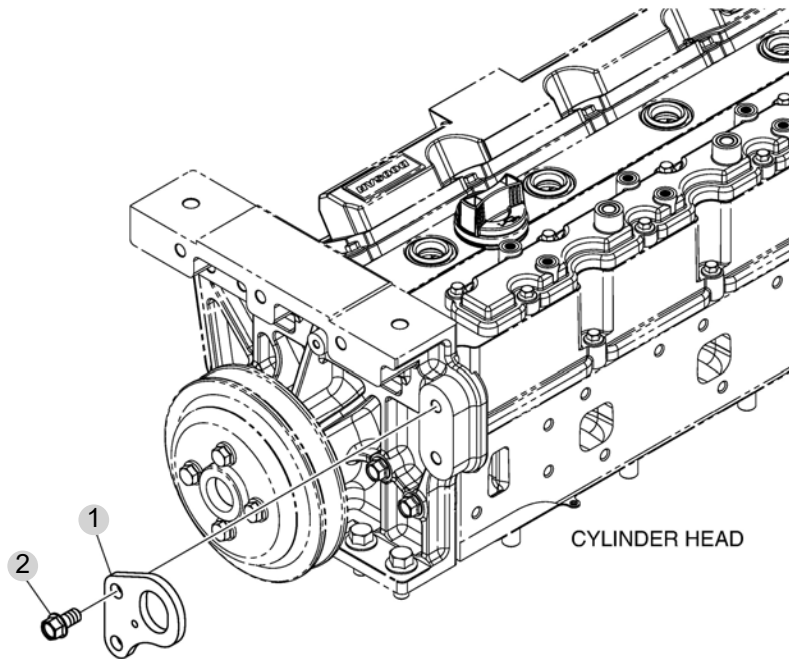
FIG 115

T1104SPEUA

ENGINE LIFTING

년/월
Year/Month

2022-12



NOTE

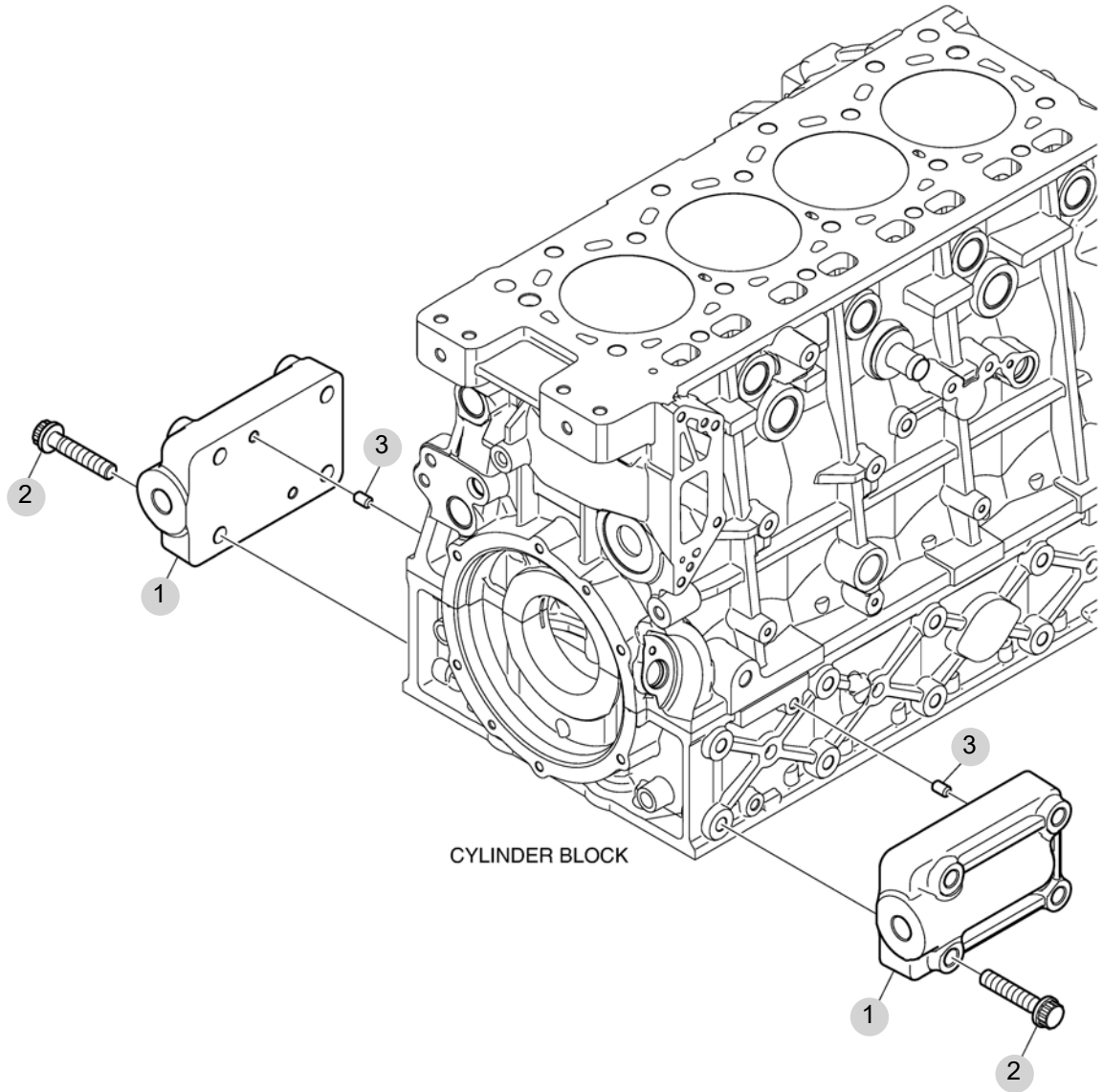
FIG 116

T1104SPEUA

ENGINE MOUNTING

년/월
Year/Month

2022-12



NOTE

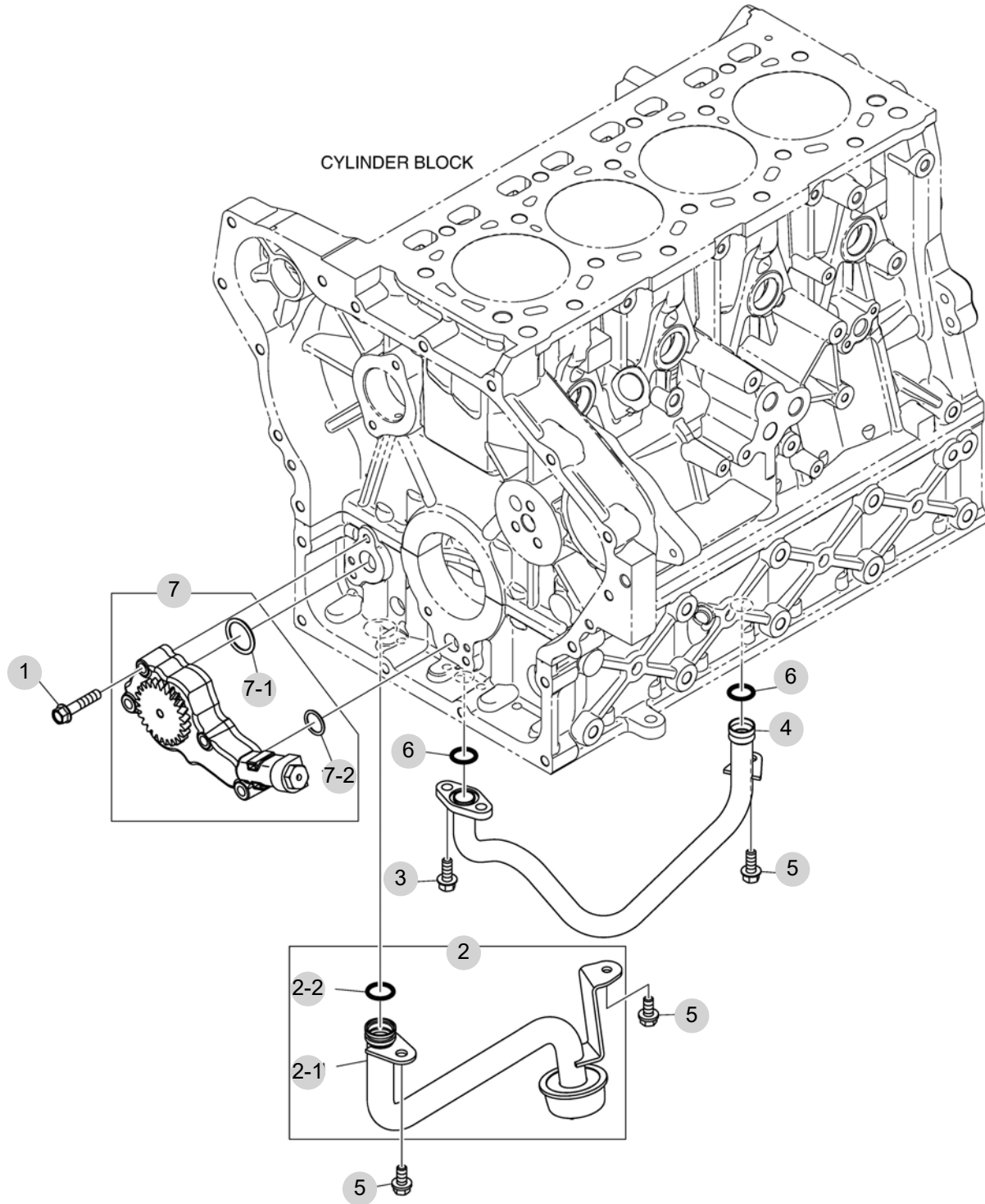
FIG 117

OIL PUMP

년/월
Year/Month

T1104SPEUA

2022-12



NOTE

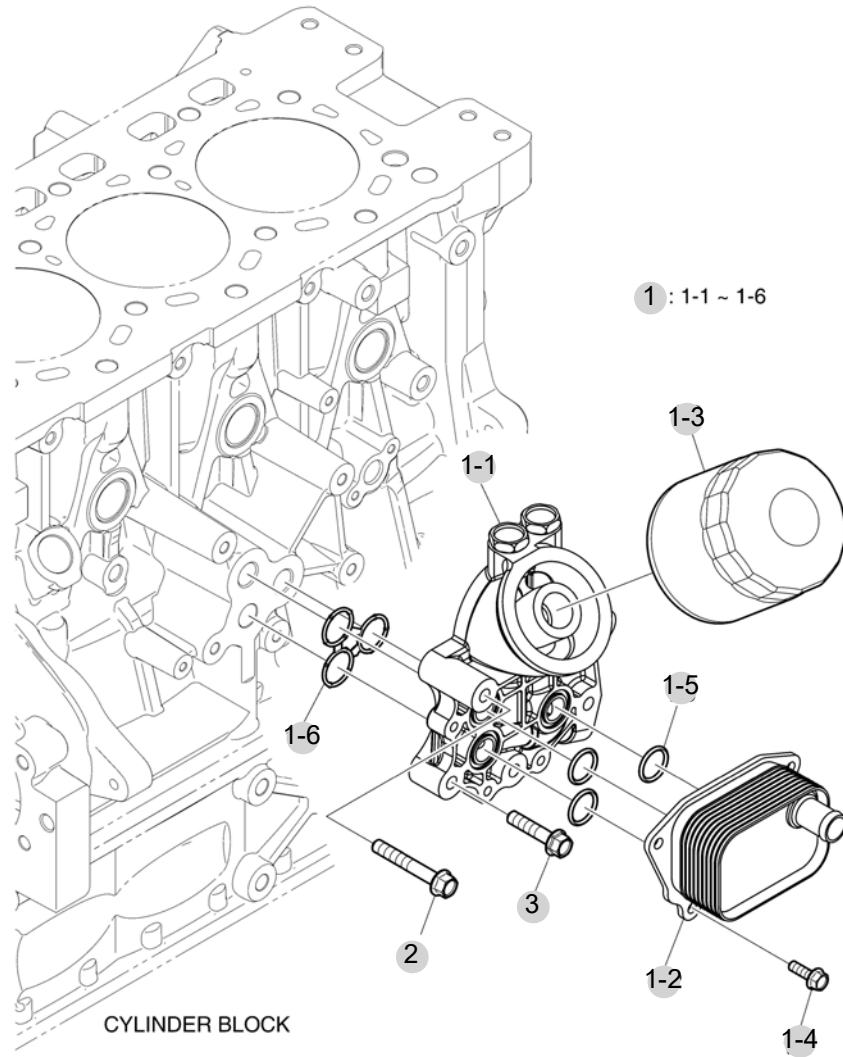
FIG 118

T1104SPEUA

OIL FILTER

년/월
Year/Month

2022-12



NOTE

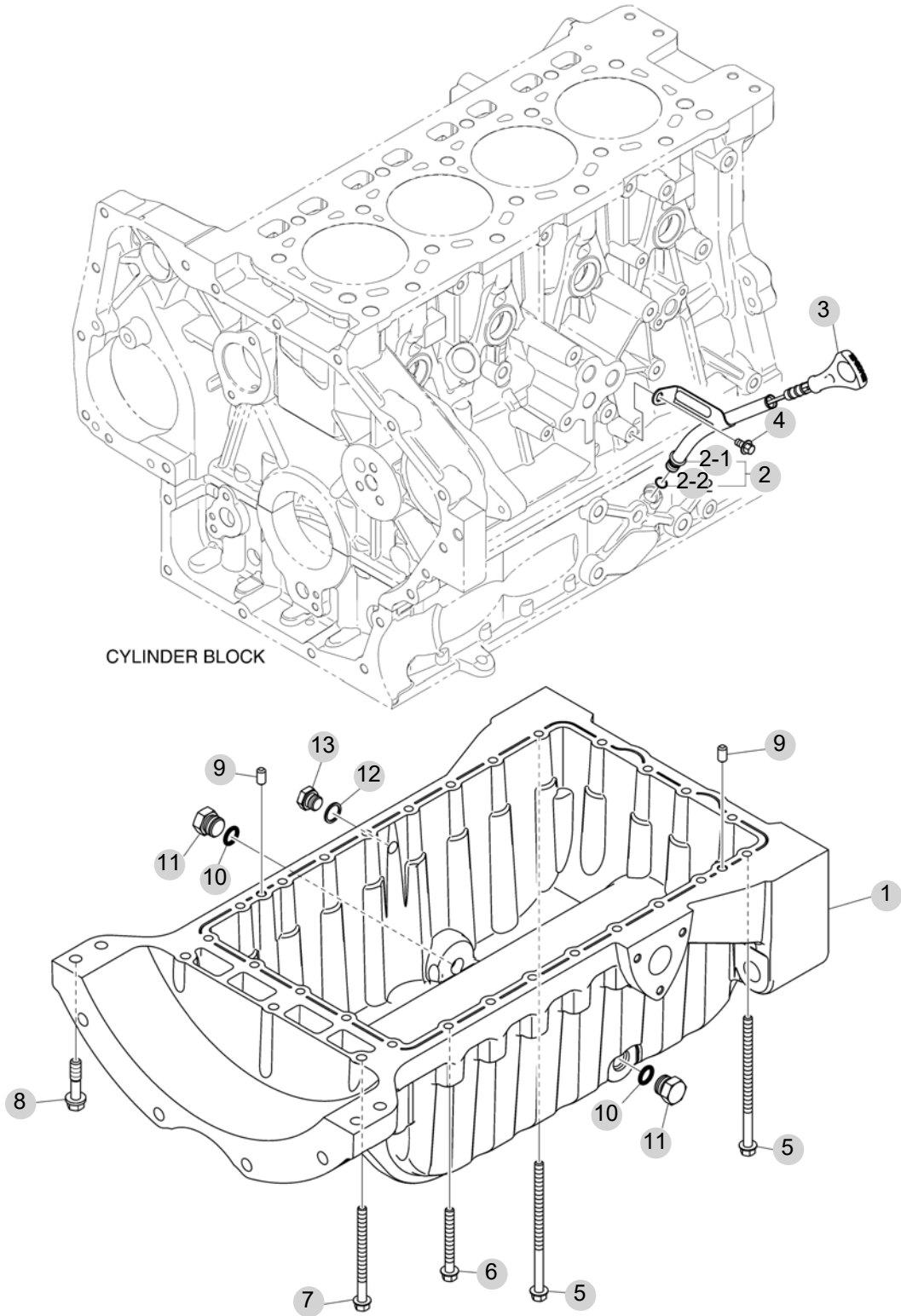
FIG 119

OIL PAN

년/월
Year/Month

T1104SPEUA

2022-12



NOTE

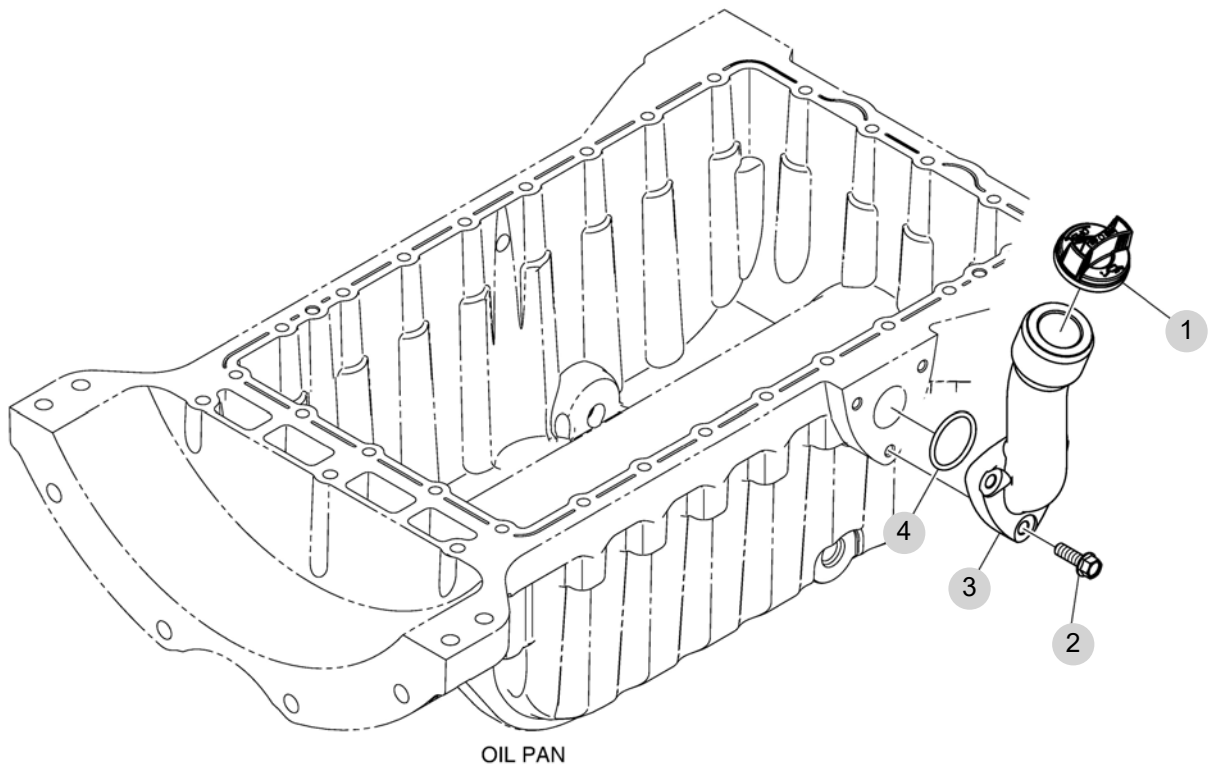
FIG 120

T1104SPEUA

OIL PIPE

년/월
Year/Month

2022-12



NOTE

FIG 120		OIL PIPE						년/월 Year/Month
T1104SPEUA								2022-12
KEY NO	PART NO	DESCRIPTION	SPEC	QTY	REPAIR	EFFECTIVE DATE	REMARKS	
120	1	110911-00161A	CAP ASSY,OIL FILLER					
120	2	89CM825	BOLT,HEX FLANGE M8x1.25x25	3				
120	3	420216-00039A	PIPE,OIL FILLER	1				
120	4	06.56027-0103	RING,O	1				
NOTE								

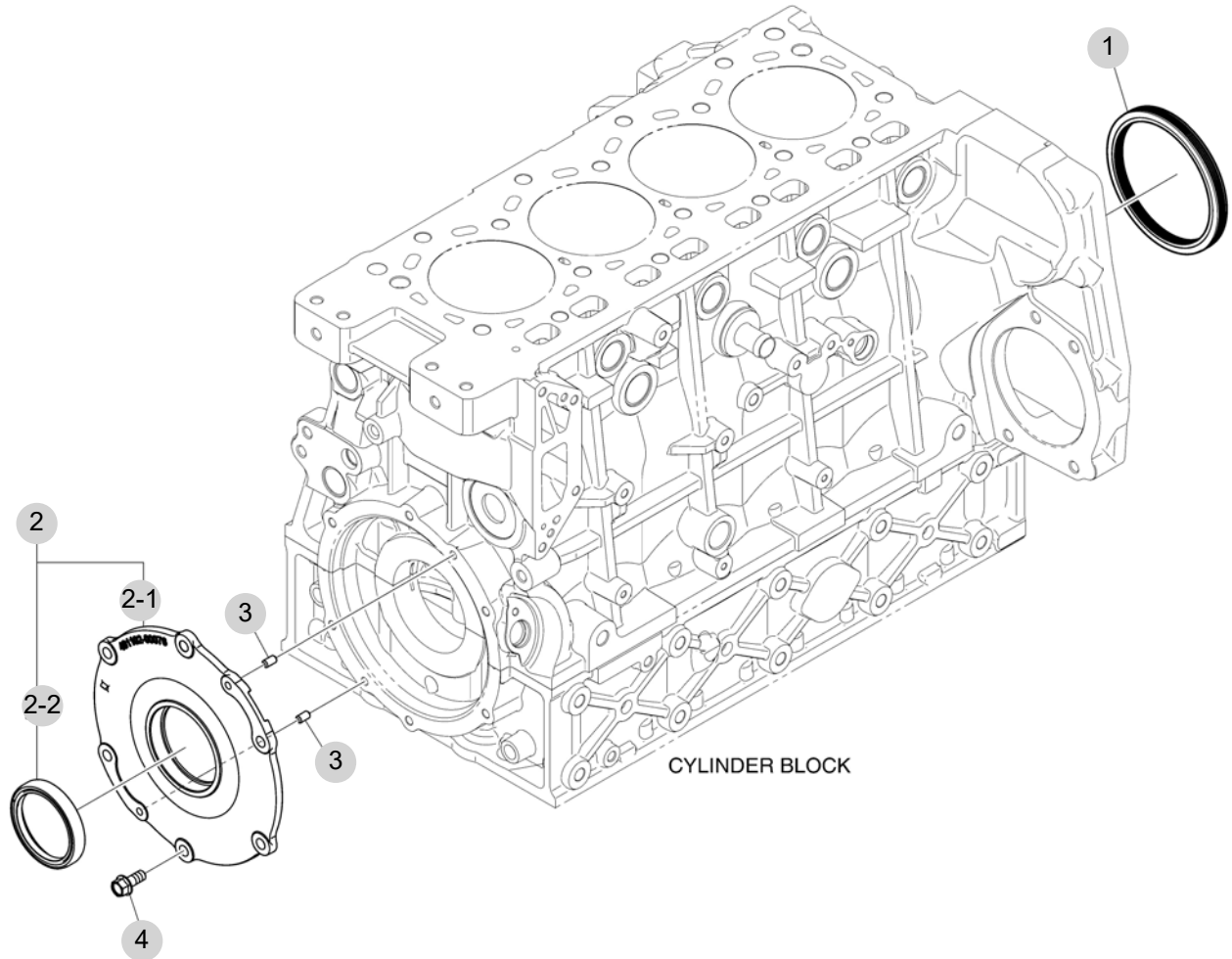
FIG 121

T1104SPEUA

OIL SEAL

년/월
Year/Month

2022-12



EDL03-P401-041-1

NOTE

FIG 121 T1104SPEUA		OIL SEAL						년/월 Year/Month
								2022-12
KEY NO	PART NO	DESCRIPTION	SPEC	QTY	REPAIR	EFFECTIVE DATE	REMARKS	
121	1	401106-00593	SEAL,OIL (REAR)		1			
121	2	401102-00077	HOLDER ASSY,OIL SEAL		1			
121	2-1	401102-00076	HOLDER,OIL SEAL		1			
121	2-2	401106-00570	SEAL,OIL (FRONT)		1			
121	3	06.22022-0908	PIN;DOWEL 6m6X12		2			
121	4	89CM820	BOLT,HEX FLANGE M8x1.25x20		6			
NOTE								

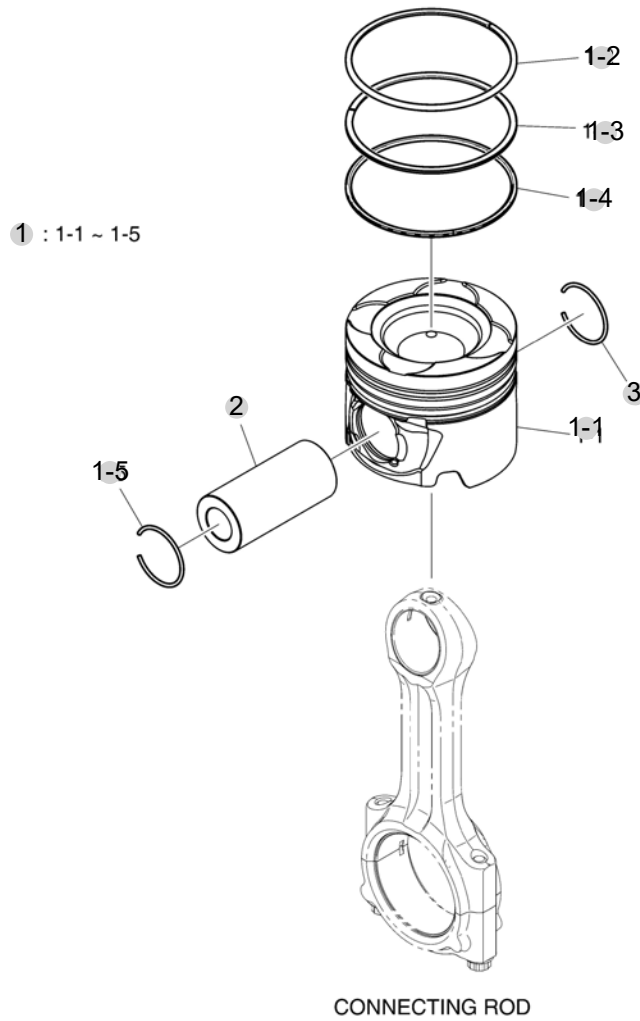
FIG 122

T1104SPEUA

PISTON

년/월
Year/Month

2022-12



NOTE

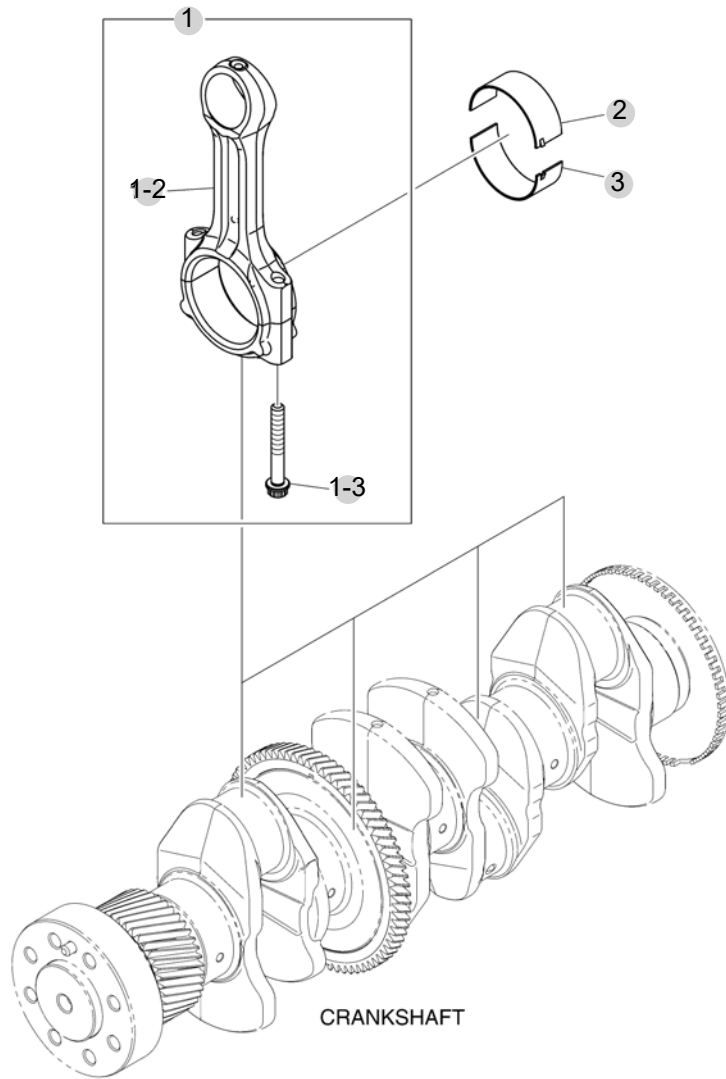
FIG 123

T1104SPEUA

CONNECTING ROD

년/월
Year/Month

2022-12



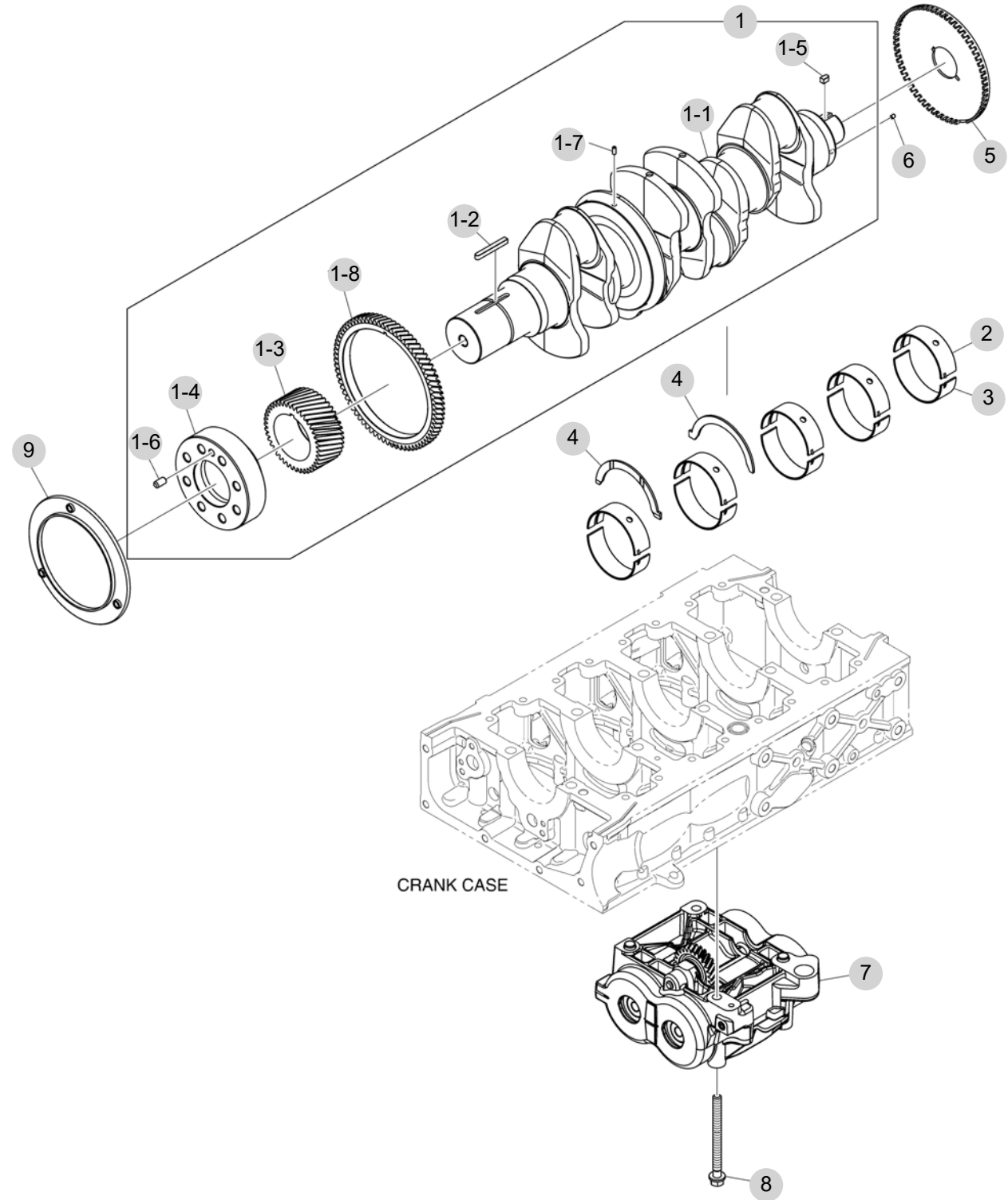
NOTE

FIG 124

CRANKSHAFT

년/월
Year/Month

2022-12



EDL03-P404-091-1

NOTE

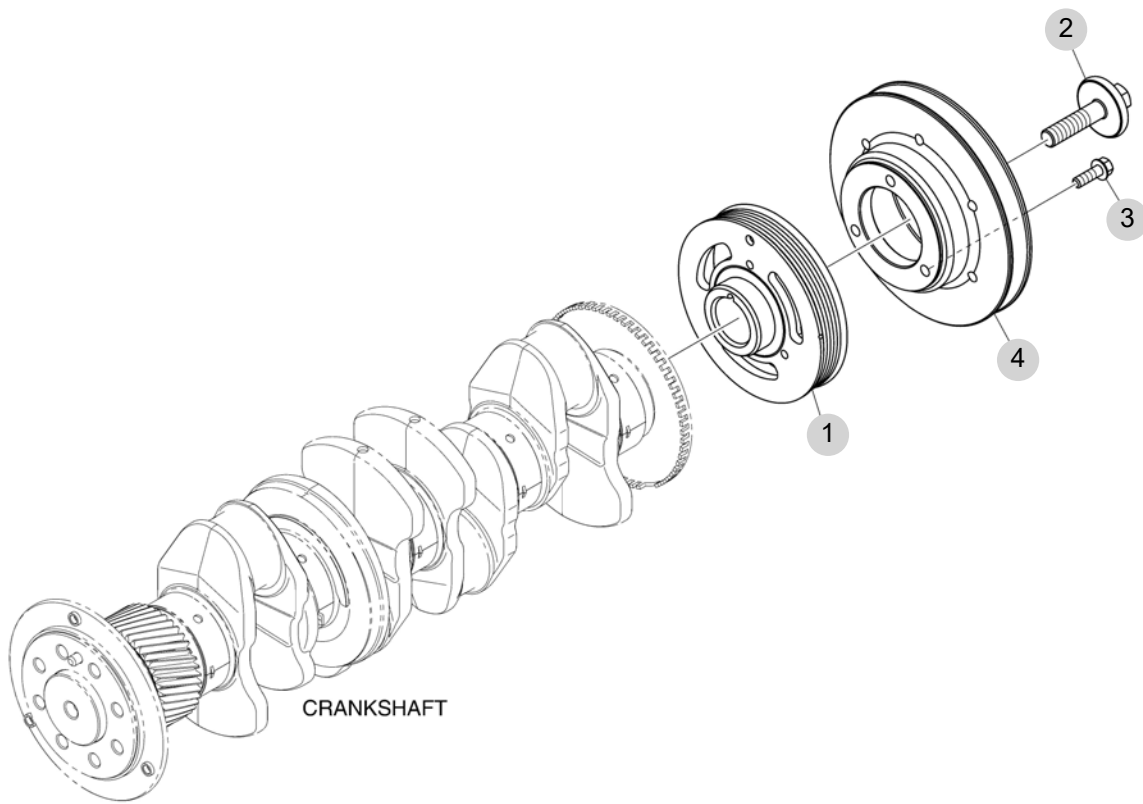
FIG 125

T1104SPEUA

CRANKSHAFT PULLEY

년/월
Year/Month

2022-12



NOTE

FIG 125 T1104SPEUA	CRANKSHAFT PULLEY	년/월 Year/Month 2022-12
----------------------------------	--------------------------	----------------------------------

KEY NO	PART NO	DESCRIPTION	SPEC	QTY	REPAIR	EFFECTIVE DATE	REMARKS
125	1	130711-00112B	PULLEY,CRANKSHAFT	1			
125	2	120106-00171B	BOLT,HEX FLANGE M14x55	1			
125	3	120106-00716	BOLT,HEX FLANGE	3			
125	4	130711-00108B	PULLEY,CRANKSHAFT	1			

NOTE

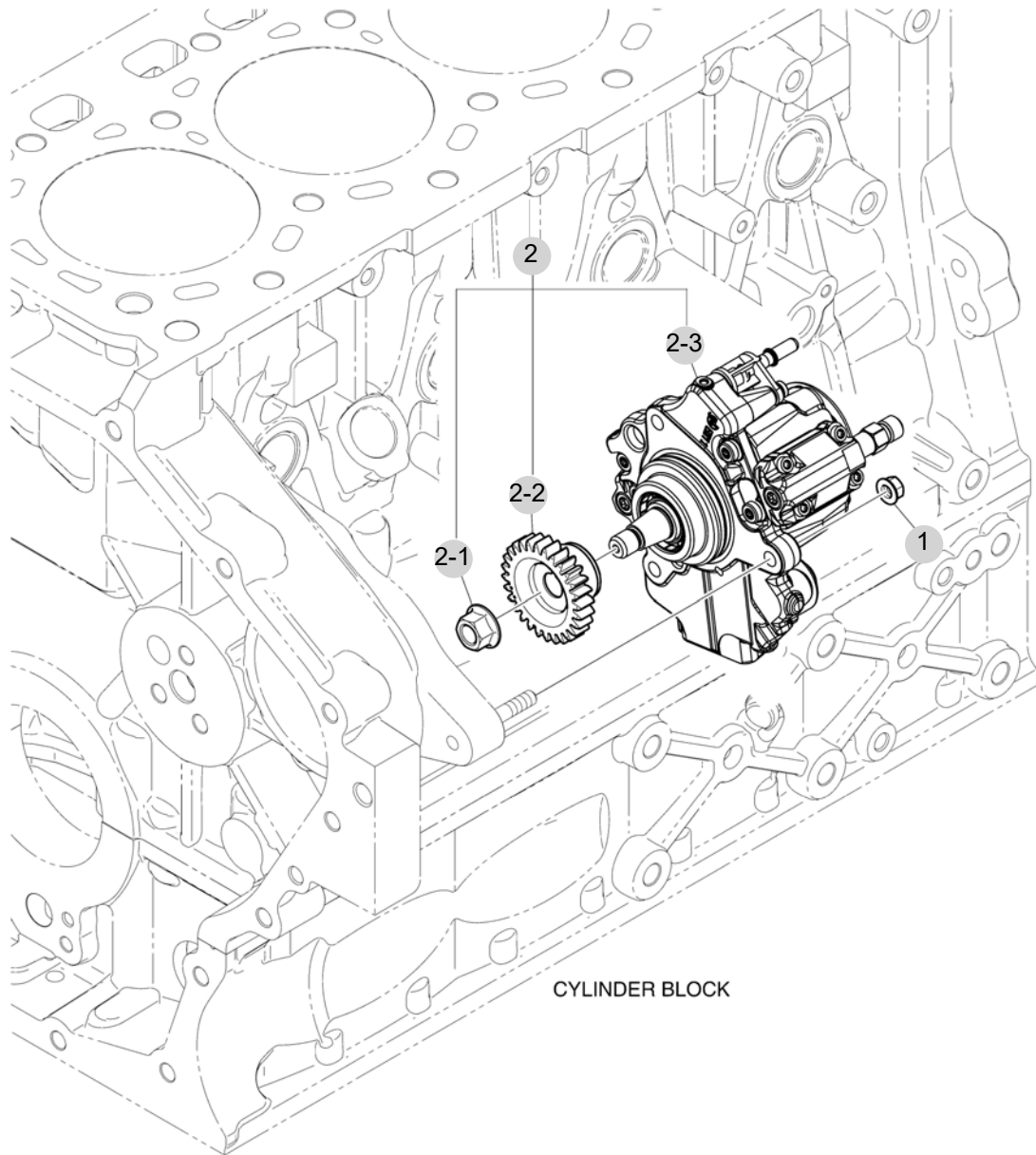
FIG 126

INJECTION PUMP

년/월
Year/Month

T1104SPEUA

2022-12



NOTE

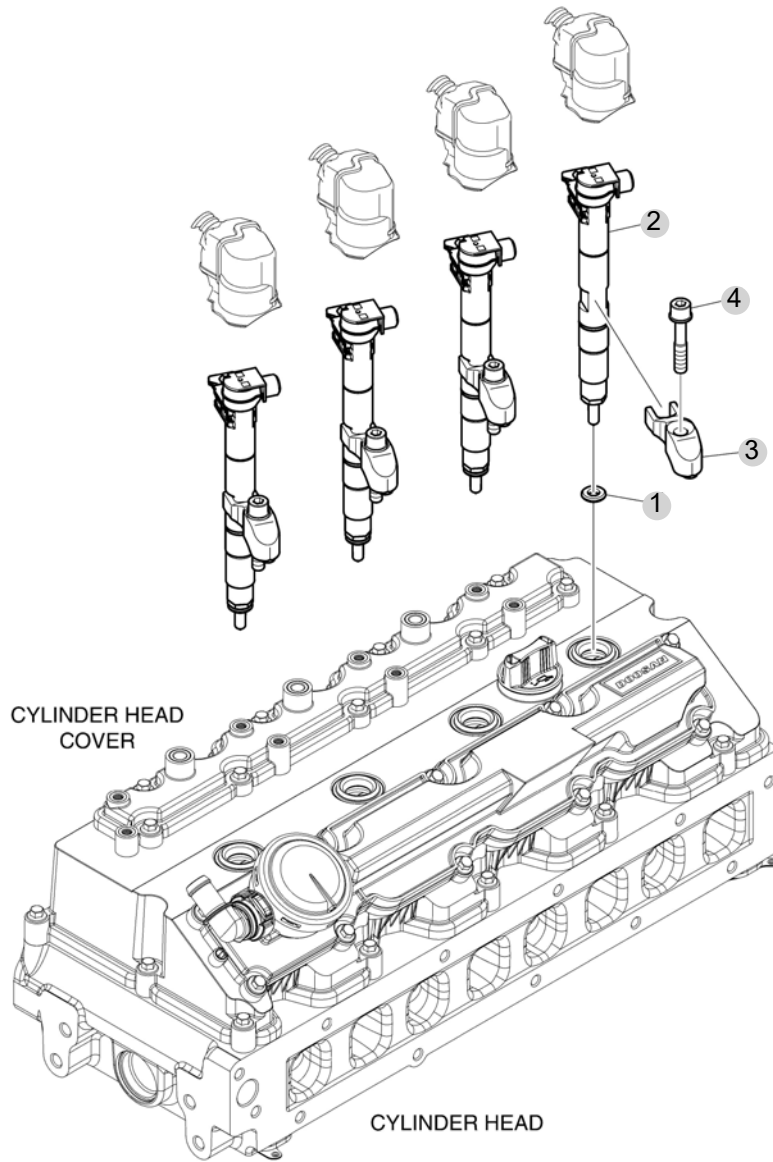
FIG 127

T1104SPEUA

INJECTION NOZZLE

년/월
Year/Month

2022-12



NOTE

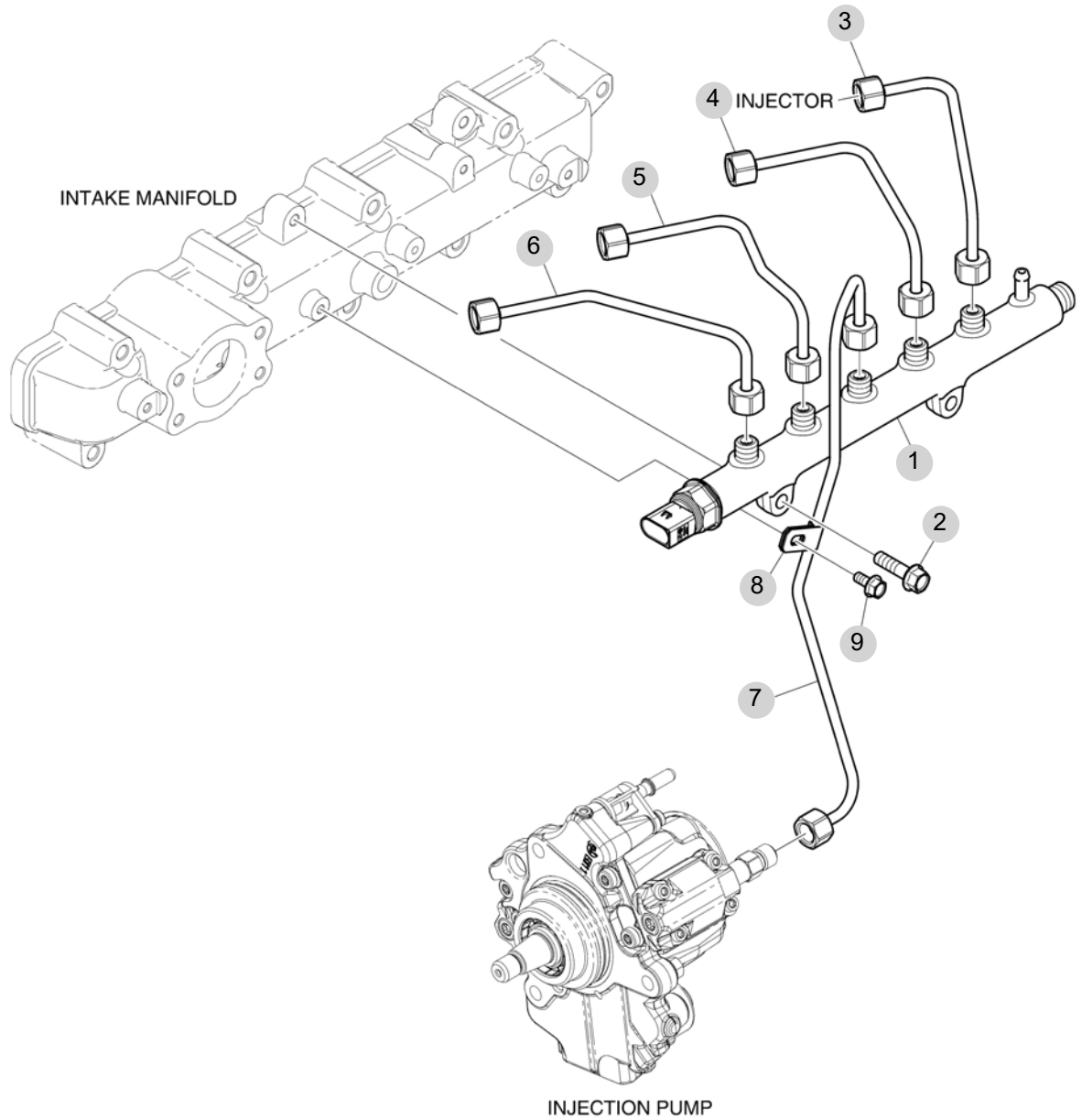
FIG 128

T1104SPEUA

INJECTION PIPE

년/월
Year/Month

2022-12



NOTE

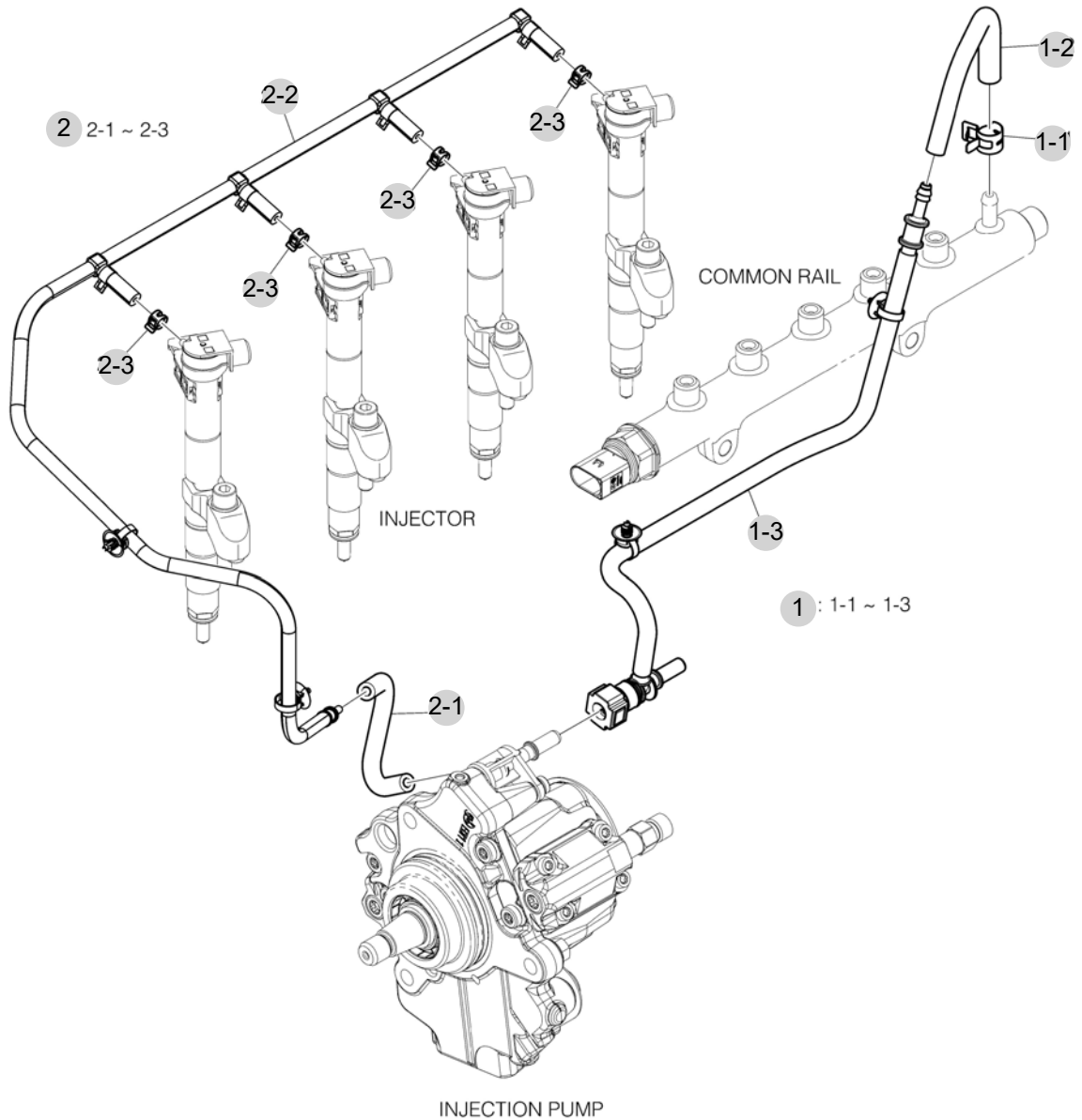
FIG 129

FUEL LINE

년/월
Year/Month

T1104SPEUA

2022-12



NOTE

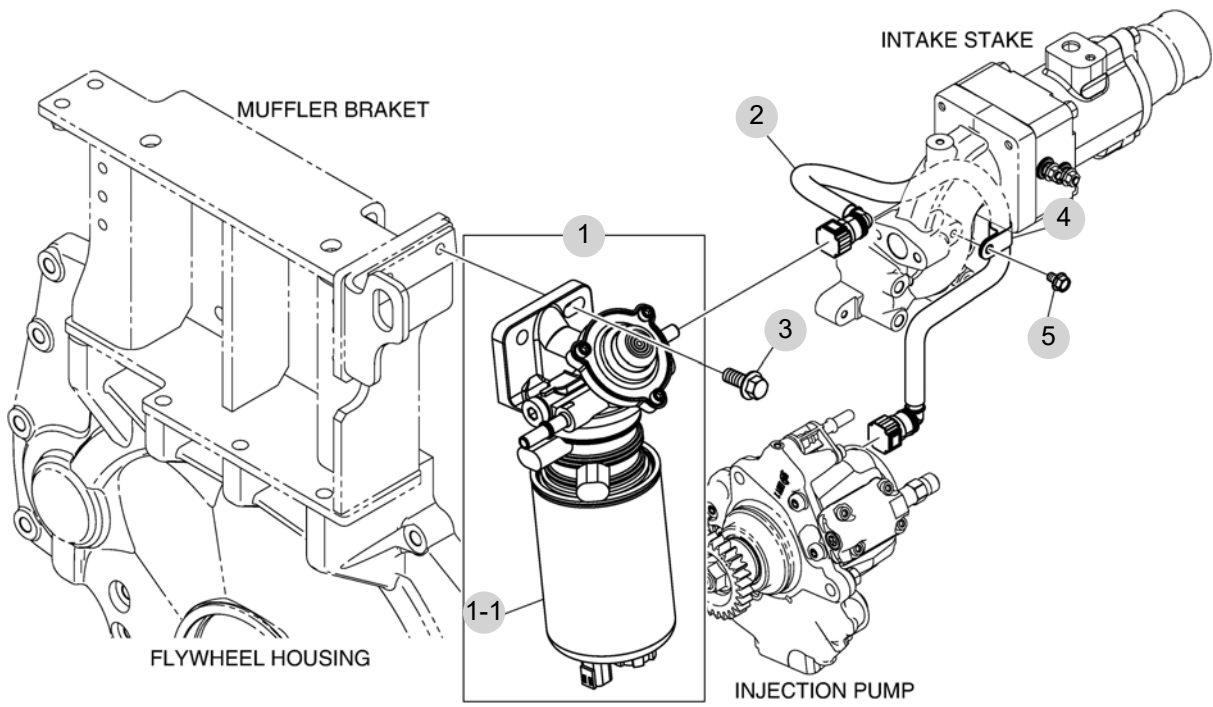
FIG 130

T1104SPEUA

FUEL FILTER

년/월
Year/Month

2022-12



NOTE

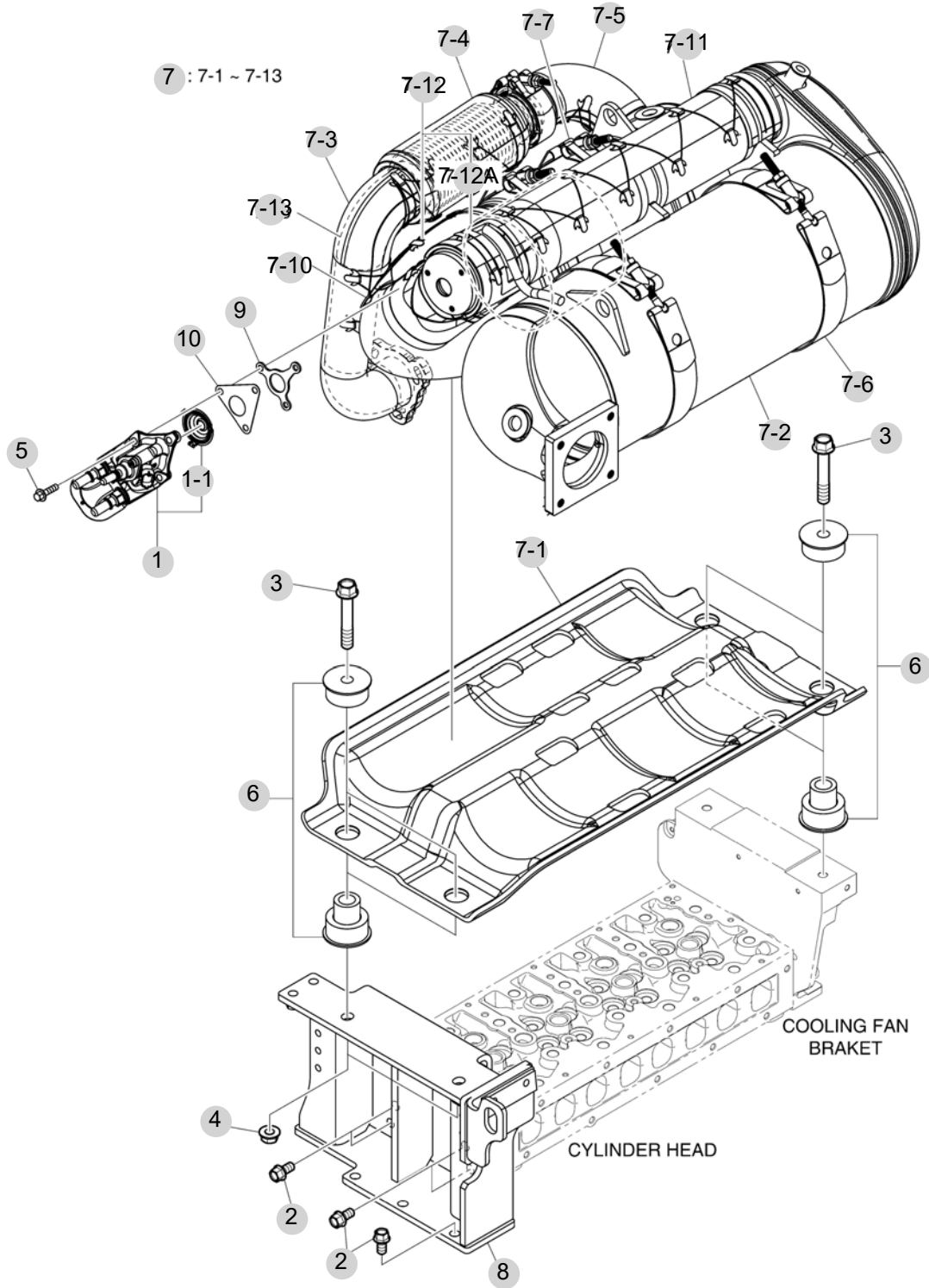
FIG 131

EXHAUST MUFFLER

년/월
Year/Month

2022-12

T1104SPEUA



NOTE

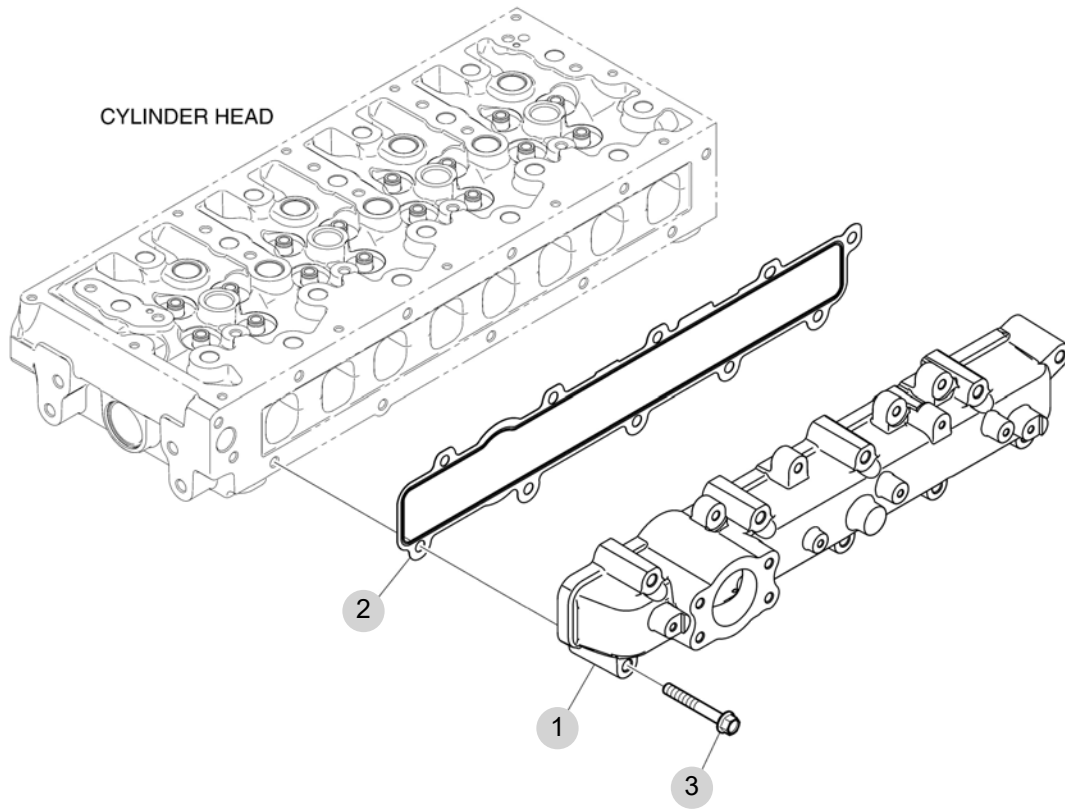
FIG 132

T1104SPEUA

INTAKE MANIFOLD

년/월
Year/Month

2022-12



NOTE

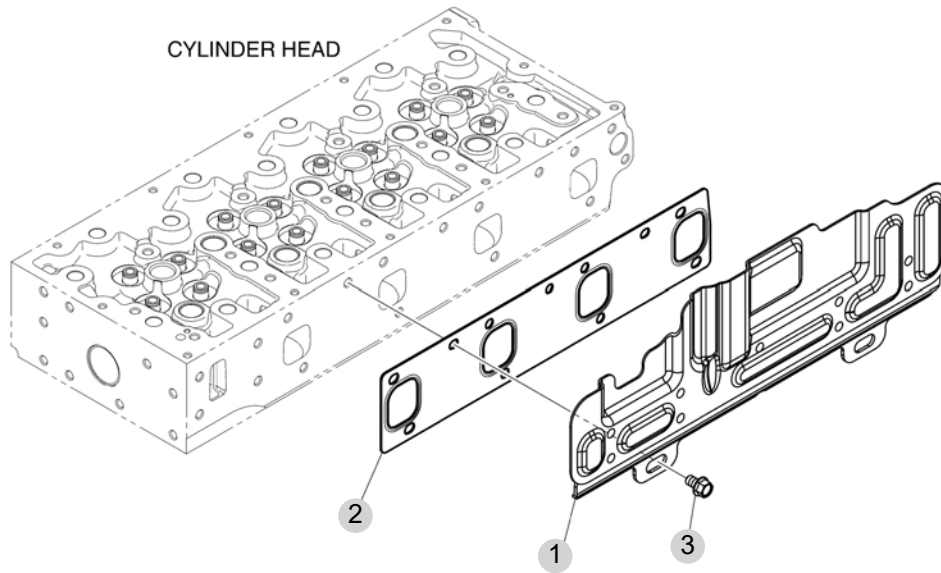
FIG 133

T1104SPEUA

EXHAUST MANIFOLD

년/월
Year/Month

2022-12



NOTE

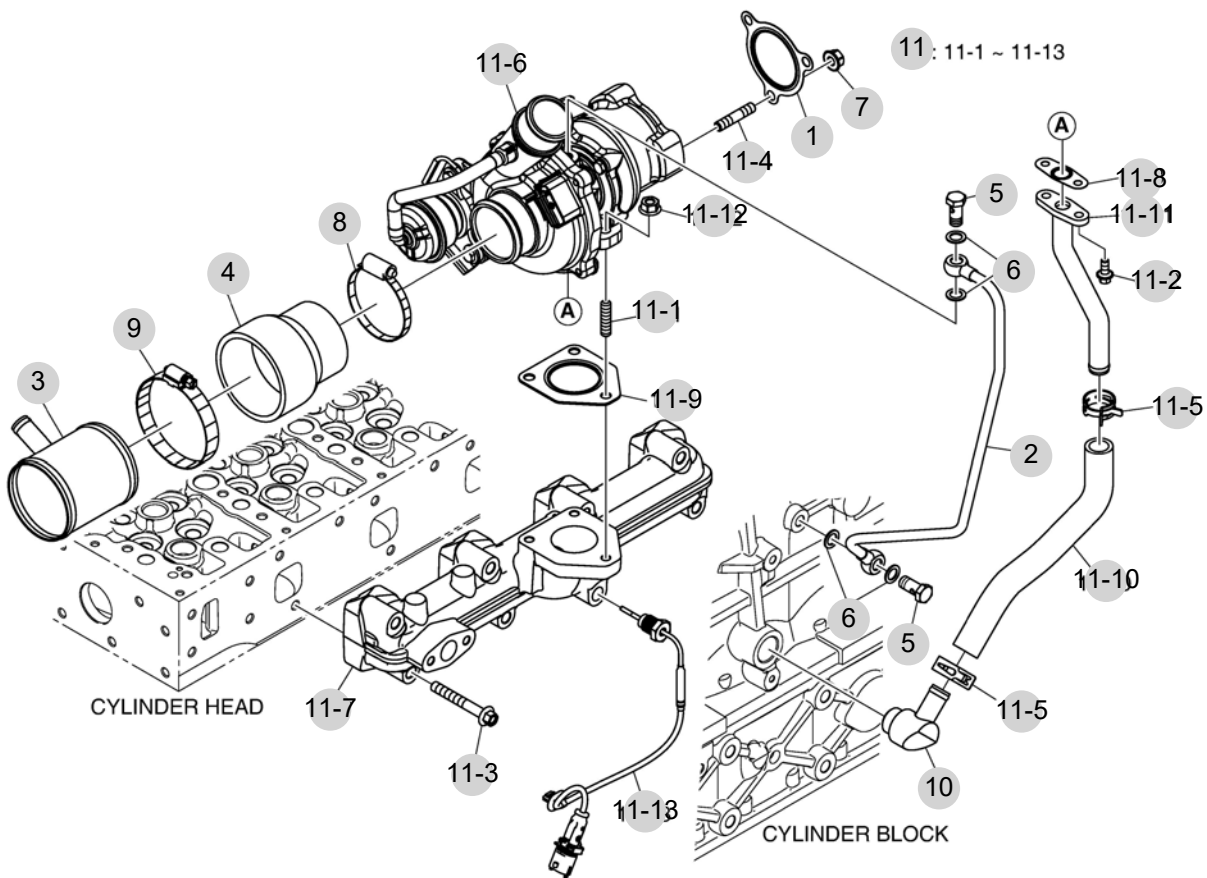
FIG 134

TURBOCHARGER

년/월
Year/Month

2022-12

T1104SPEUA



NOTE

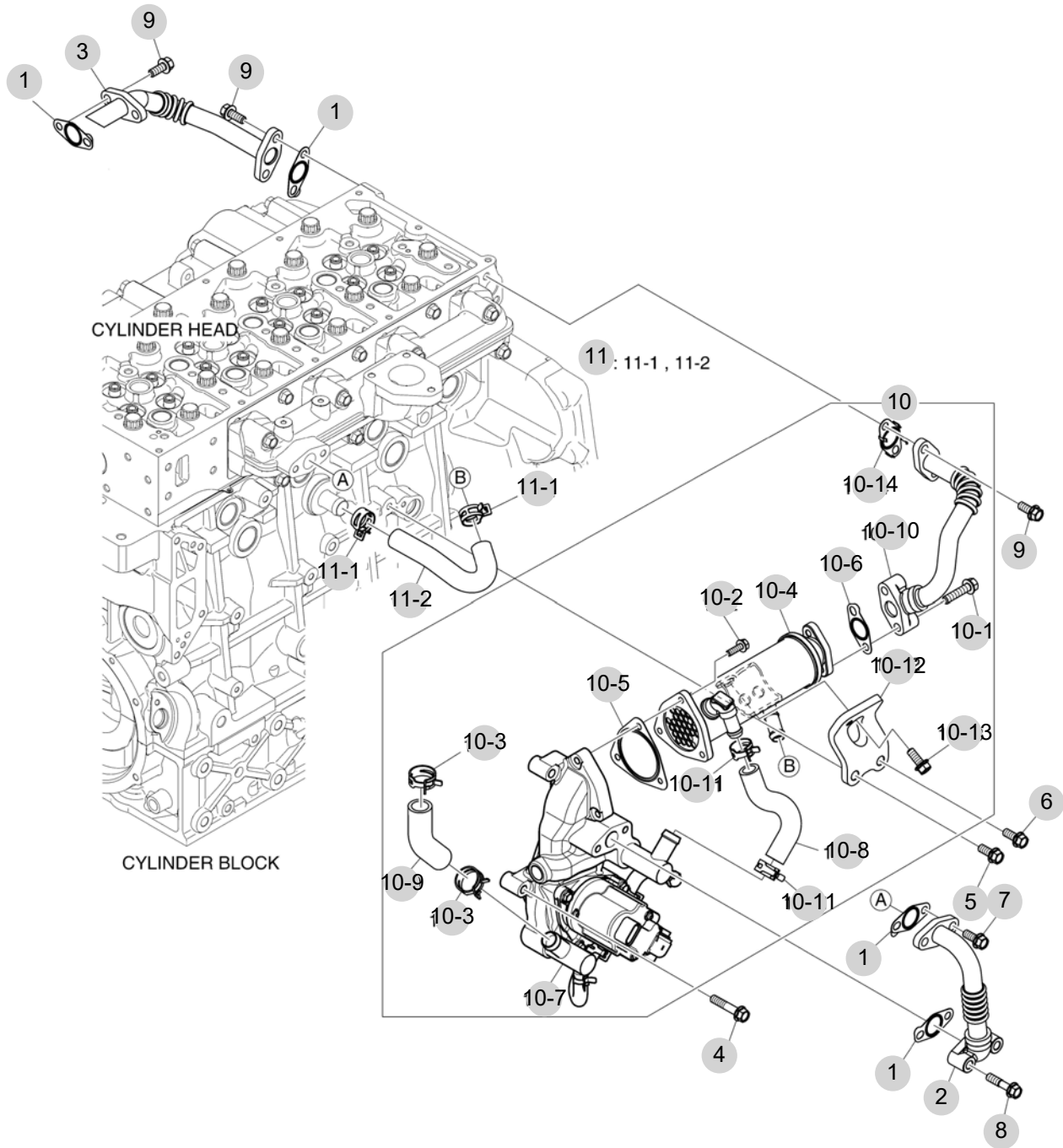
FIG 135

T1104SPEUA

EGR

년/월
Year/Month

2022-12



NOTE

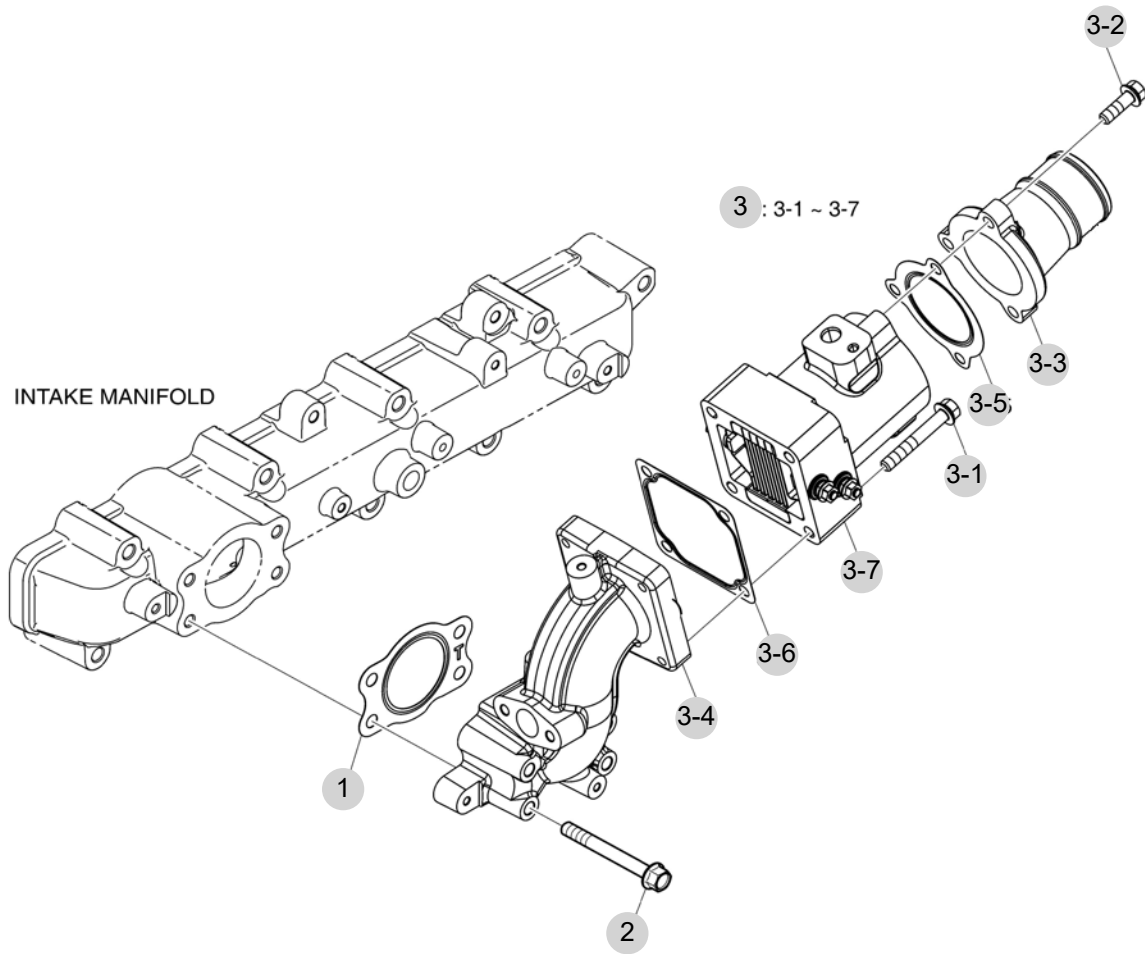
FIG 136

T1104SPEUA

INTAKE STAKE

년/월
Year/Month

2022-12



NOTE

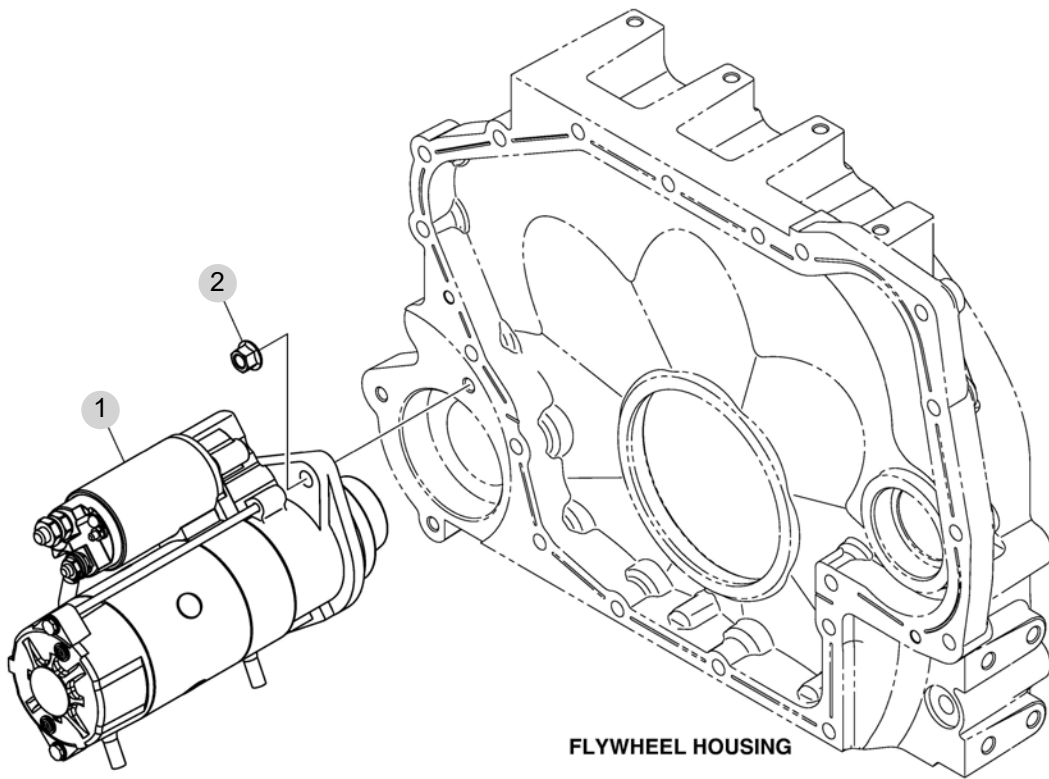
FIG 137

T1104SPEUA

STARTER

년/월
Year/Month

2022-12



NOTE

FIG 137 T1104SPEUA	STARTER						년/월 Year/Month
							2022-12

KEY NO		PART NO	DESCRIPTION	SPEC	QTY	REPAIR	EFFECTIVE DATE	REMARKS
137	1	300516-00121	STARTER		1			
137	2	120305-00003	NUT,FLANGE		3			
NOTE								

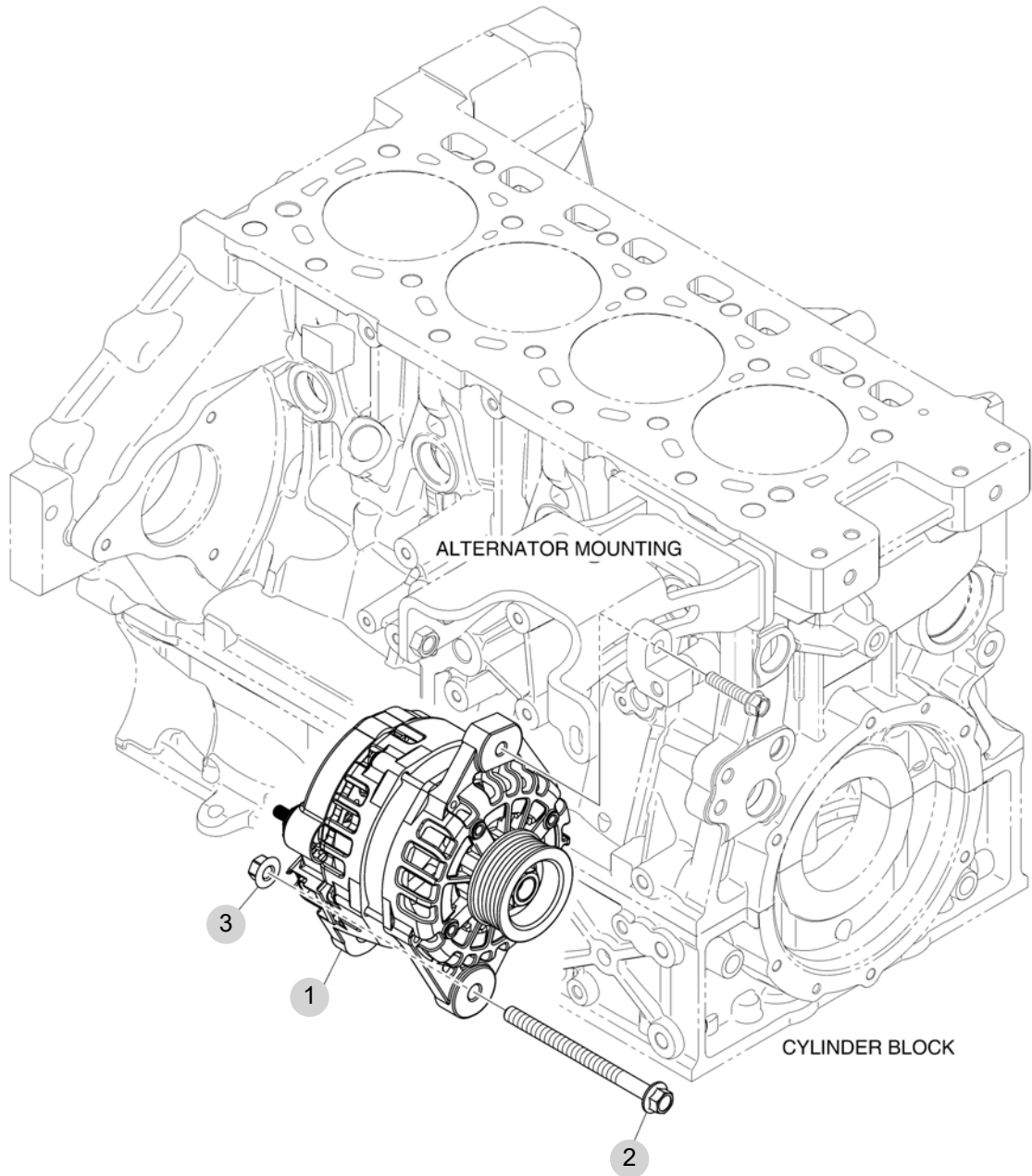
FIG 138

T1104SPEUA

ALTERNATOR

년/월
Year/Month

2022-12



EDL03-P703-074-1

NOTE

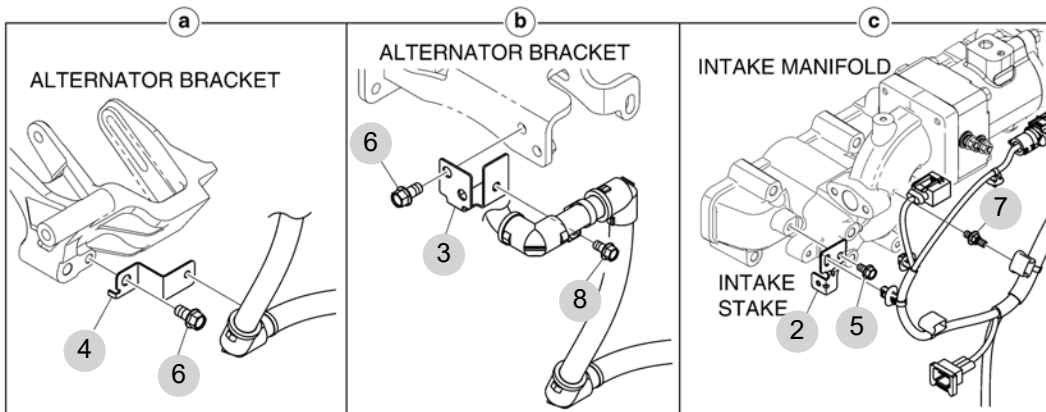
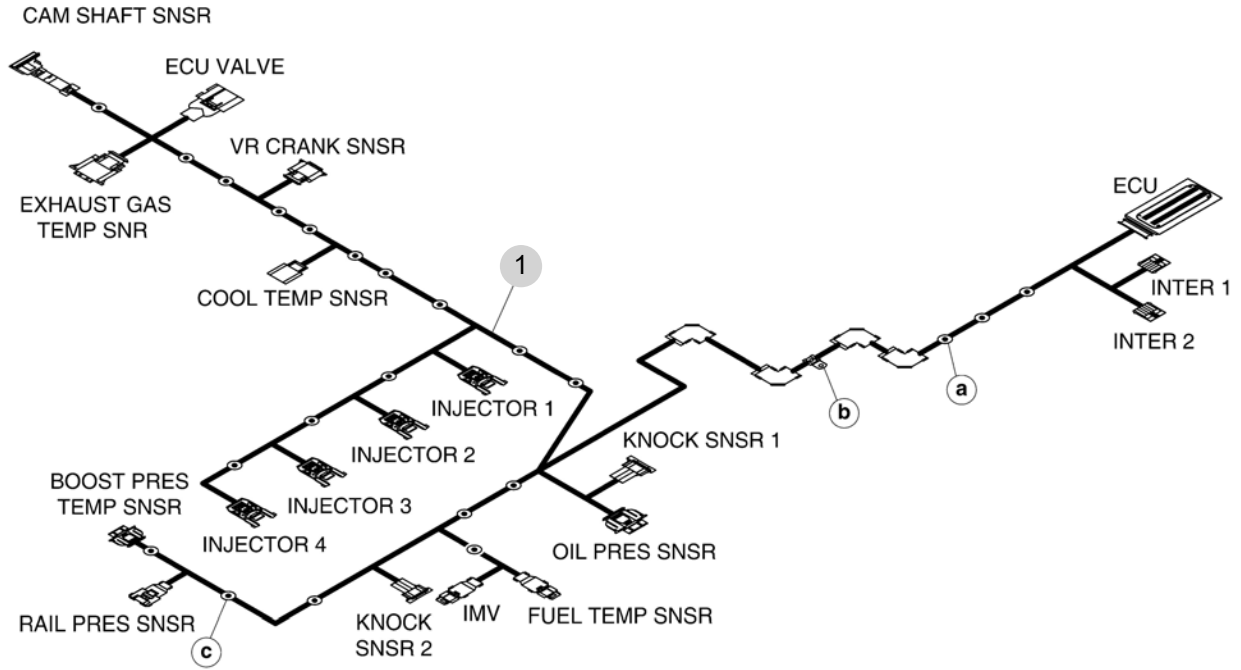
FIG 139

WIRE HARNESS

년/월
Year/Month

T1104SPEUA

2022-12



NOTE

FIG 139 T1104SPEUA		WIRE HARNESS						년/월 Year/Month	
								2022-12	
KEY NO		PART NO	DESCRIPTION	SPEC	QTY	REPAIR	EFFECTIVE DATE	REMARKS	
139	1	310207-02994K	HARNESS ASSY,ENGINE		1				
139	2	110452-00090	BRACKET,WIRE HARNESS		1				
139	3	110452-00205A	BRACKET,WIRE HARNESS		1				
139	4	110452-00196	BRACKET,WIRE HARNESS		1				
139	5	89CM612	BOLT,HEX FLANGE M6x1.0x12		1				
139	6	89CM1020	BOLT,HEX FLANGE M10x20		3				
139	7	120122-00097	BOLT,SPACER M6x1.0 (8.8T)		1				
139	8	89CM816	BOLT,HEX FLANGE M8x1.25x16		1				
NOTE									

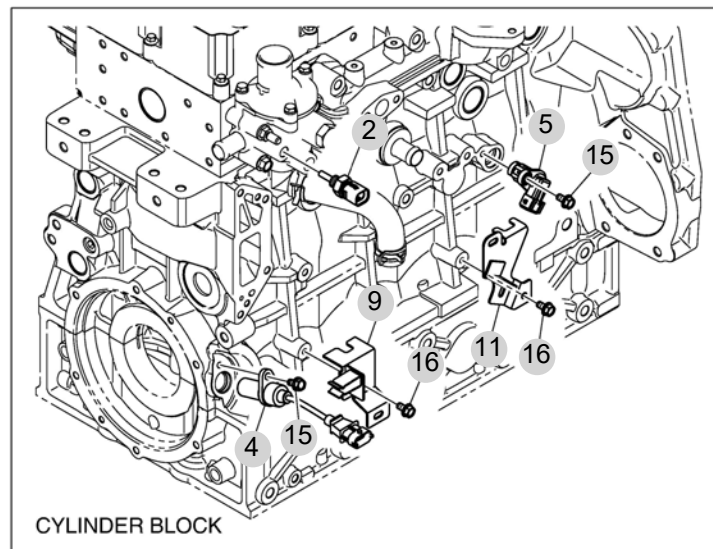
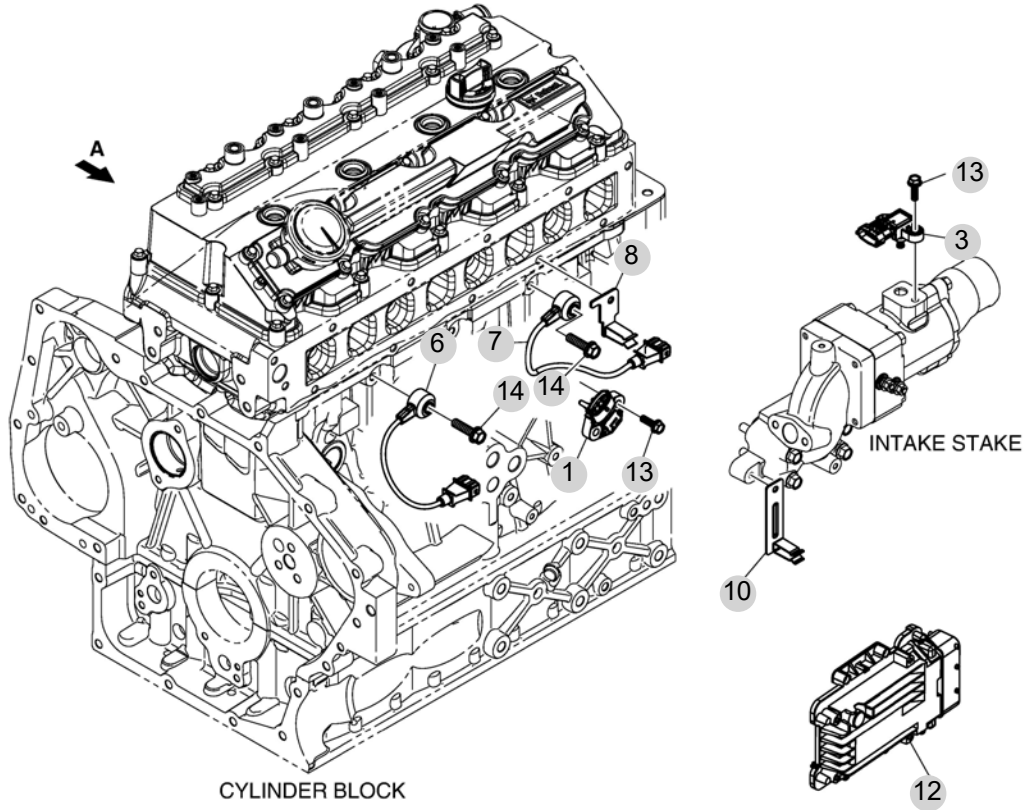
FIG 140

SWITCH & SENSOR

년/월
Year/Month

2022-12

T1104SPEUA



NOTE

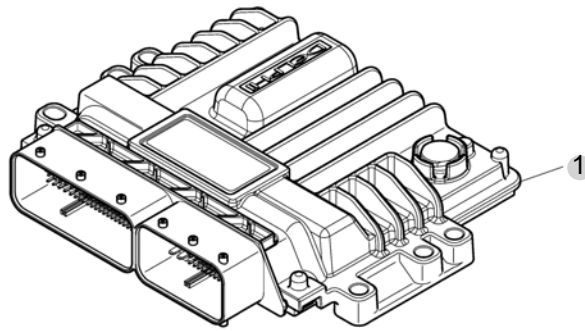
FIG 141

T1104SPEUA

E.C.U

년/월
Year/Month

2022-12



NOTE

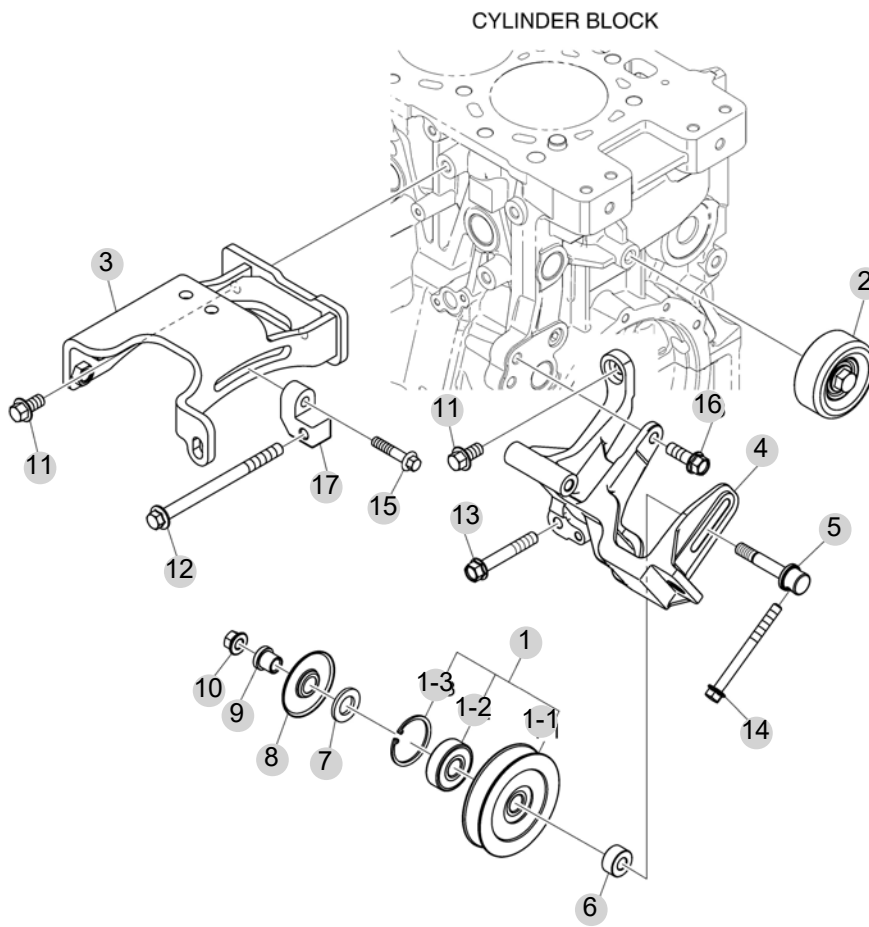
FIG 142

T1104SPEUA

ALTERNATOR MOUNTING

년/월
Year/Month

2022-12



NOTE

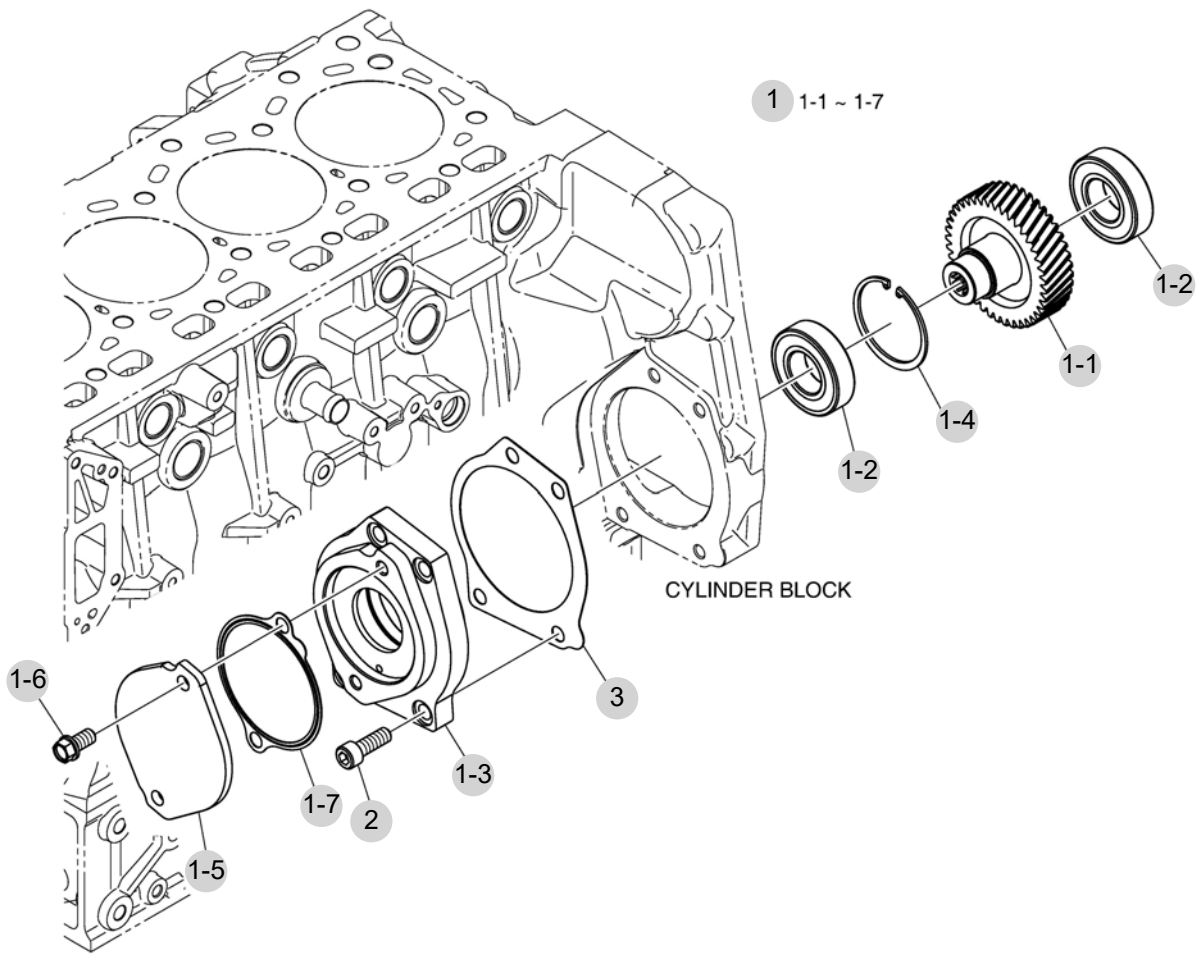
FIG 143

POWER TAKE OFF

년/월
Year/Month

T1104SPEUA

2022-12



NOTE

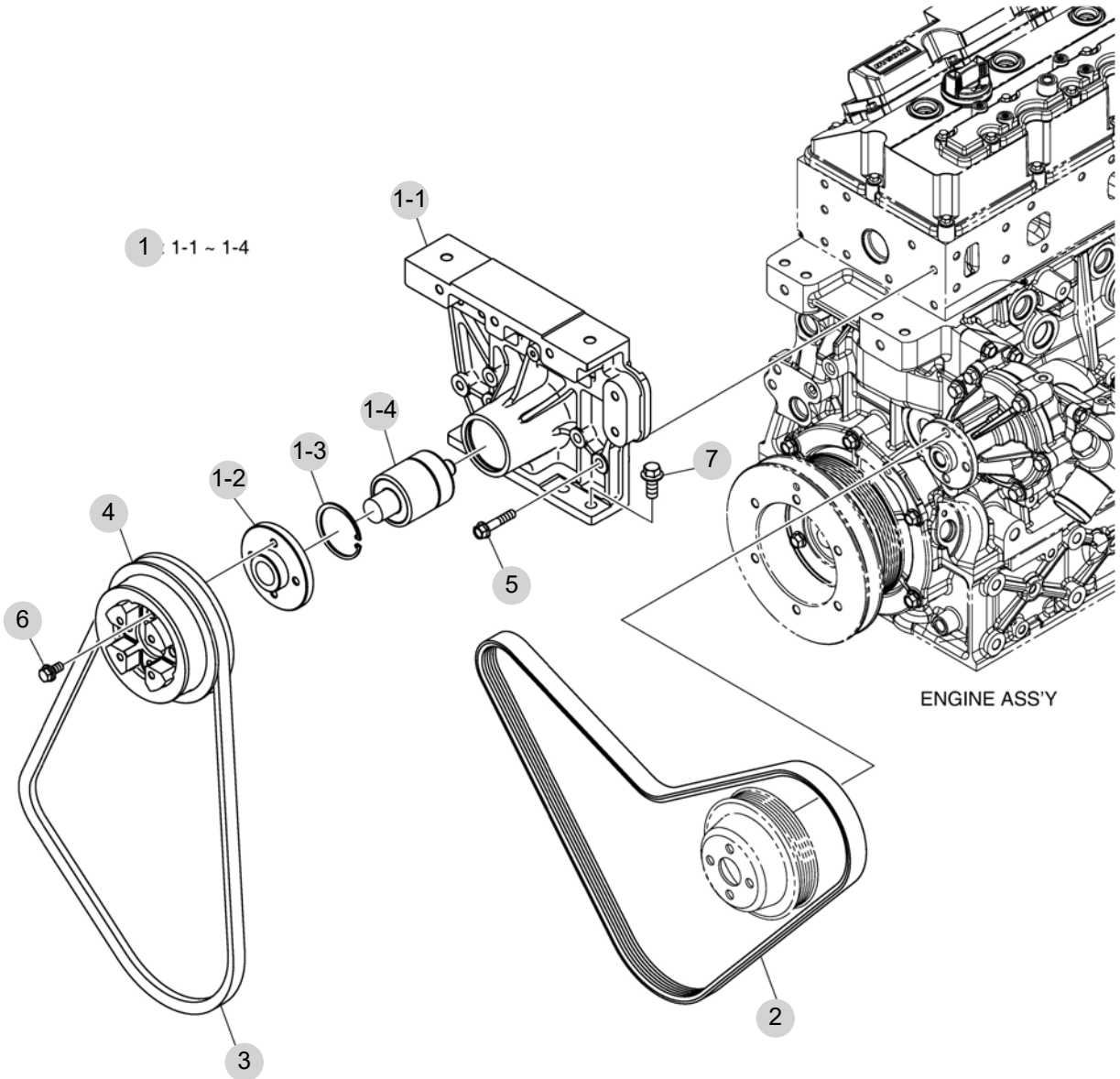
FIG 144

COOLING FAN

년/월
Year/Month

2022-12

T1104SPEUA



NOTE

FIG 144 T1104SPEUA		COOLING FAN						년/월 Year/Month	2022-12
								EFFECTIVE DATE	REMARKS
KEY NO	PART NO	DESCRIPTION	SPEC	QTY	REPAIR	EFFECTIVE DATE	REMARKS		
144	1	110412-00114C	BRACKET ASSY,FAN MOUNTING		1				
144	1-1	110412-00115C	BRACKET,FAN MOUNTING		1				
144	1-2	65.06504-0033	HUB;V-BELT PULLEY		1				
144	1-3	06.29020-0132	SNAP RING 55X2		1				
144	1-4	140105-00535	BEARING UNIT		1				
144	2	130205-00406	BELT,V		1				
144	3	130205-00463	BELT,V		1				
144	4	130707-00453	PULLEY,V-BELT		1				
144	5	89CM840	BOLT,HEX FLANGE M8x1.25x40		4				
144	6	89CM816	BOLT,HEX FLANGE M8x1.25x16		4				
144	7	90CM1025	BOLT,HEX FLANGE M10x25		4				
NOTE									

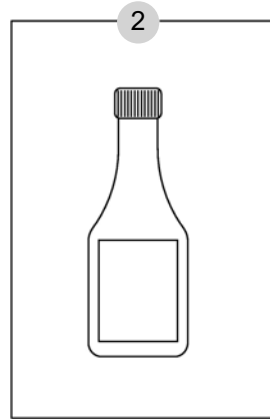
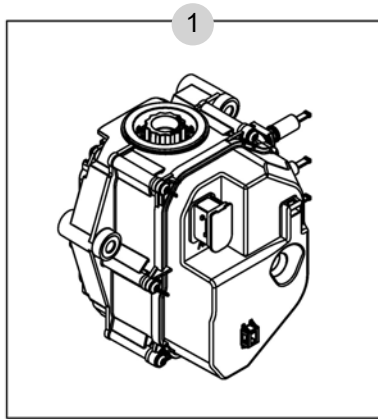
FIG 145

T1104SPEUA

GENERAL ACCESSORIES-FIE&AFTER
TREATMENT

년/월
Year/Month

2022-12



NOTE

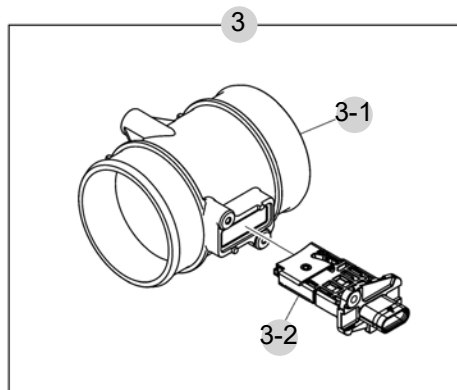
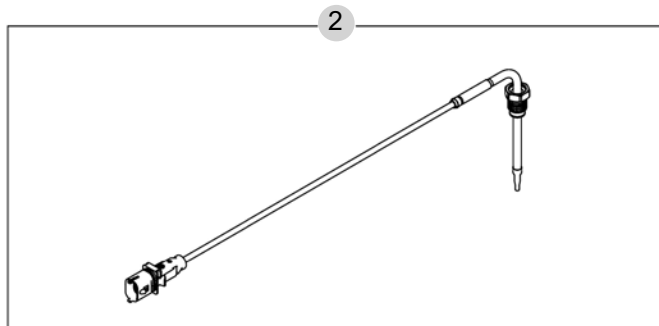
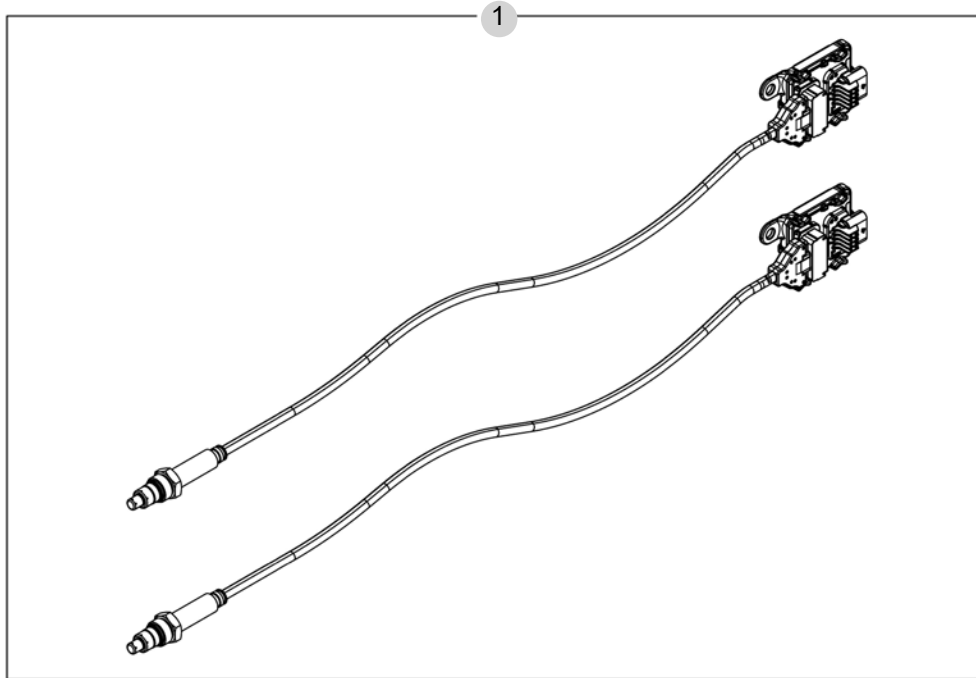
FIG 146

T1104SPEUA

GENERAL ACCESSORIES-ELECTRIC

년/월
Year/Month

2022-12



NOTE

2. Engine Accessories PART NO. T2

FIG 201 AIR CLEANER	102
FIG 202 RADIATOR	104
FIG 203 EXHAUST PIPE	107
FIG 205 FUEL TANK & FUEL LINES	109
FIG 206 CABLE, THROTTLE & ACCELERATOR ASSY	112
FIG 207 INTERCOOLER	114

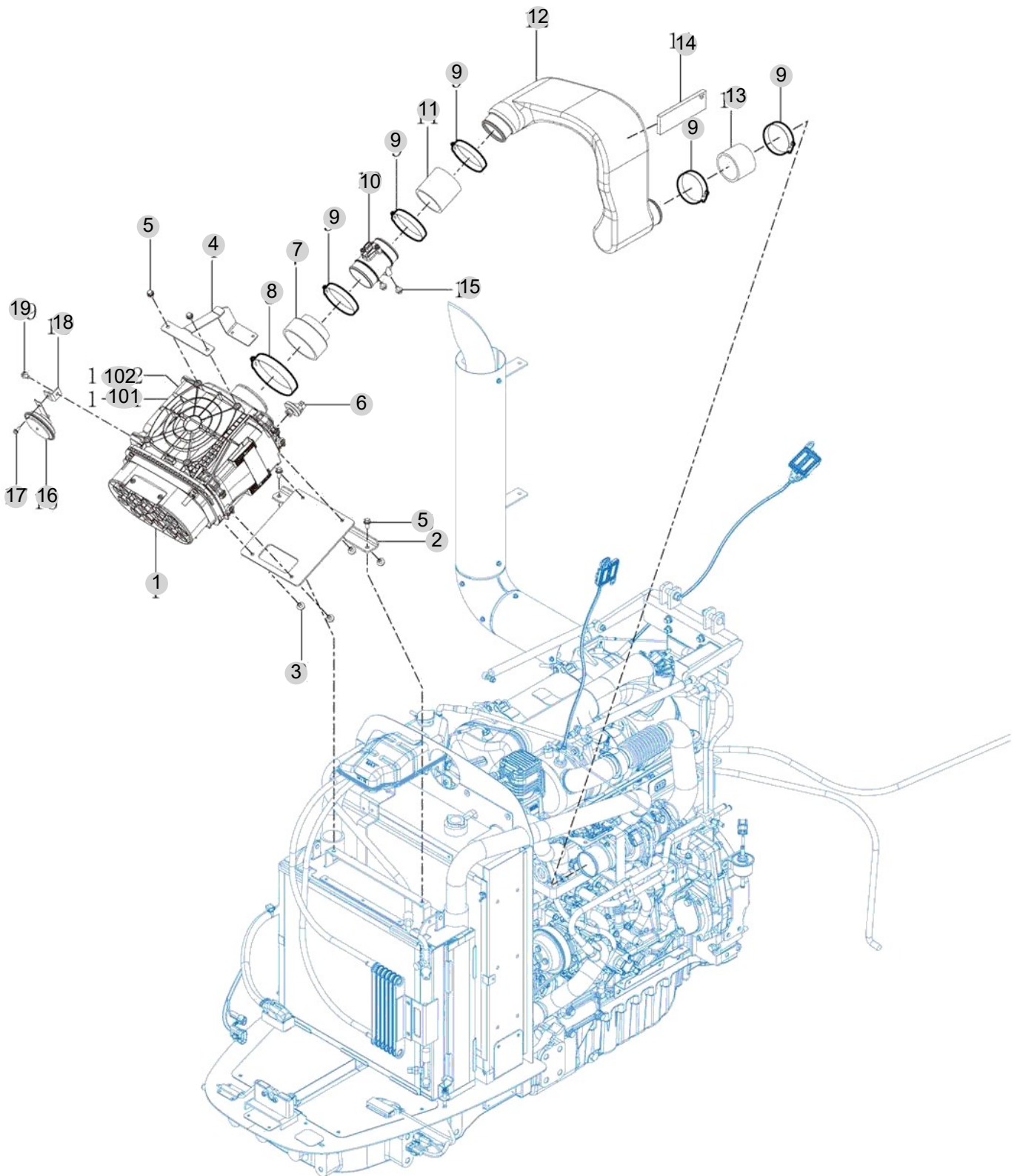
FIG 201

AIR CLEANER

년/월
Year/Month

2022-12

T1104SPEUA



NOTE

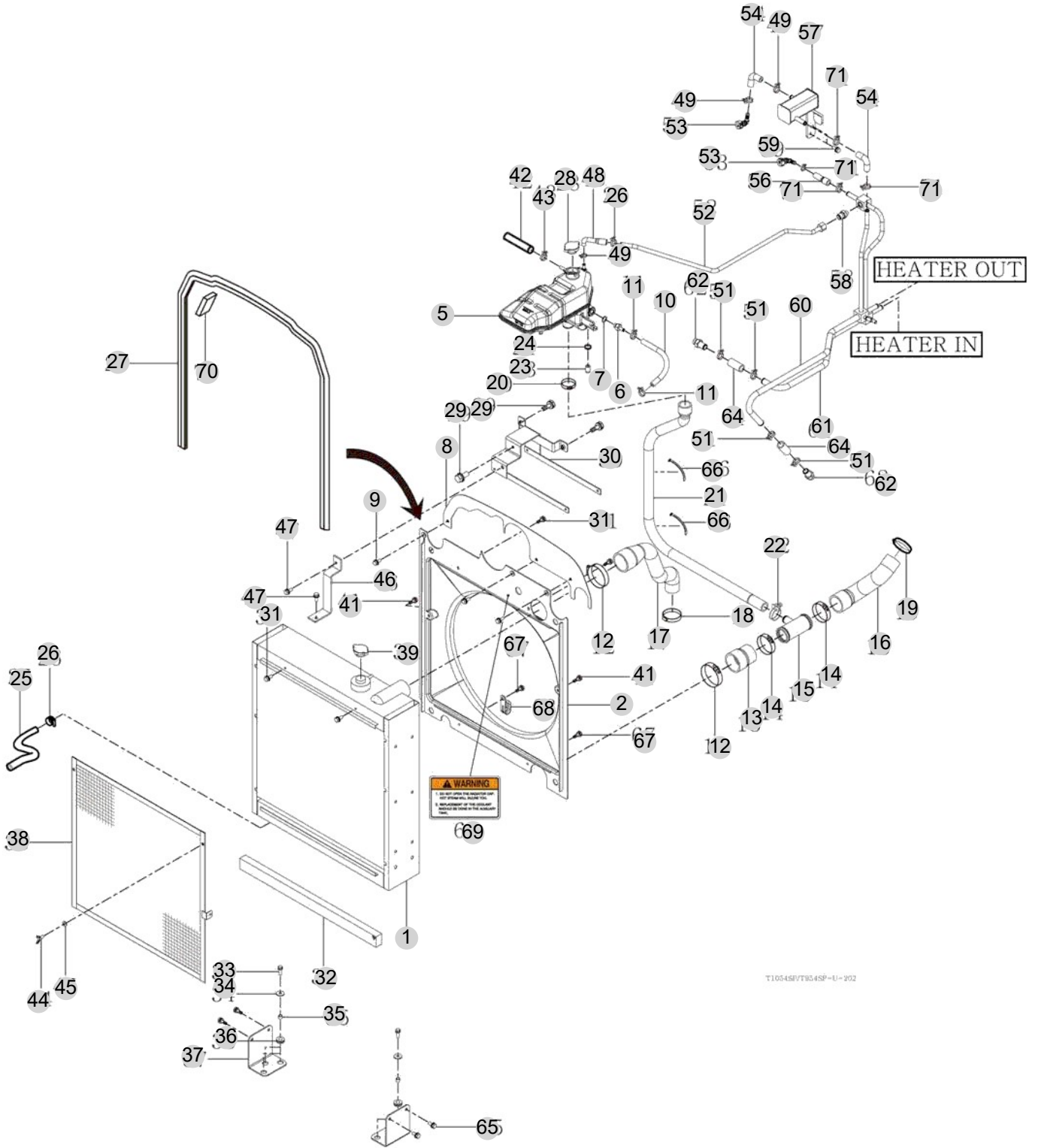
FIG 202

RADIATOR

T1104SPEUA

년/월
Year/Month

2022-12



T1104SPT1904SP-U-202

NOTE

FIG 202		RADIATOR					년/월 Year/Month		
							2022-12		
T1104SPEUA		KEY NO	PART NO	DESCRIPTION	SPEC	QTY	REPAIR	EFFECTIVE DATE	REMARKS
202	1	18711042101	RADIATOR ASSY			1			
202	2	18711042200	SHROUD			1			
202	5	18021041002	RESERVE TANK			1			
202	5	18021041003	RESERVOIR TANK			1			
202	6	18718200040	NIPPLE , COOLANT VANT M14			1			
202	7	18021020140	WASHER , GASKET M14			1			
202	8	18711046100GB	PLATE COMP , SEAL D			1			
202	9	V2123606016	BOLT , HEX /SP	M6X16		3			
202	10	18711101600	HOSE , ID8X250			1			
202	11	18027090160	BAND CLAMP 16 EMBO TYPE			2			
202	12	14885050150	BAND CLAMP 75			1			
202	12	10031020700	HOSE CLIP , TORRO 50-70/12 W3 WF	1X1X1		2			
202	13	18711040600	HOSE , RADIATOR OUTLET A			1			
202	14	10031020600	HOSE CLIP , TORRO 40-60/12 W3 WF	1X1X1		2			
202	15	18711045500	PIPE COMP , COOLANT JOINT			1			
202	16	18711040700	HOSE , RADIATOR OUTLET B			1			
202	17	18711040500	HOSE , RADIATOR INLET			1			
202	18	14241010040	WIRE CLAMP 45			1			
202	18	10031020450	HOSE CLIP , TORRO 30-45/12 W3 WF	1X1X1		1			
202	19	10031020500	HOSE CLIP , TORRO 35-50/12 W3 WF	1X1X1		1			
202	20	14241010050	WIRE CLAMP 42			1			
202	20	18027090500	BAND CLAMP 50 EMBO TYPE			1			
202	21	18711040800	HOSE , COOLANT ID22			1			
202	22	18027090320	BAND CLAMP 32 EMBO TYPE			1			
202	23	12651040300	CAP , RADIATOR	1X1X1		1			
202	24	14501410050	BAND CLAMP 16			1			
202	24	18027090160	BAND CLAMP 16 EMBO TYPE			1			
202	25	18711101800	HOSE , ID8X450			1			
202	26	37481850030	BAND CLAMP 18	1/2 3/4		2			
202	27	18711040320	INSULATOR 2120			1			
202	28	13011042110	CAP 0.9bar	1X1X1		1			
202	29	V2193606020	BOLT , HEX/SPL	M6X20		3			
202	30	18711071600GB	BRACKET COMP , RESERVER TANK			1			
202	30	18711071601GB	BRACKET COMP , RESERVER TANK			1			
202	31	V2193606020	BOLT , HEX/SPL	M6X20		4			
202	32	18711120060	NISULATOR RR600			1			
202	33	V2173608025	BOLT , HEX/S	M8X25		6			
202	34	35602010150	WASHER , BIND SHAFT	T=2.3		6			
202	35	15991040050	COLLAR , 08X12X08	12X1.8		6			
202	36	14046210300	GROMMET			6			
202	37	18711052901GB	BKT , RADIATOR FIX/LOW			2			
202	38	18711042301GB	NET COMP , RADIATOR			1			
202	39	18021042110	CAP ASSY OKPa			1			
202	41	V2183608016	BOLT , HEX/SP	M8X16		2			
202	42	18711101900	HOSE , ID8X350			1			
NOTE									

FIG 202 T1104SPEUA	RADIATOR	년/월 Year/Month
		2022-12

KEY NO	PART NO	DESCRIPTION	SPEC	QTY	REPAIR	EFFECTIVE DATE	REMARKS
202	43	18027090160	BAND CLAMP 16 EMBO TYPE			1	
202	44	V2712608015	BOLT , WING	M8X15		1	
202	45	V4111600080	WASHER , PLAIN	M8		1	
202	46	18711046701GB	BKT , RADIATOE FIX/UPER			1	
202	46	18711047100GB	BKT , RADIATOE FIX/UPER			1	
202	47	V2183608016	BOLT , HEX/SP	M8X16		2	
202	48	18711041300	COOLANT AIR VENT HOSE			1	
202	49	37481850030	BAND CLAMP 18			1	
202	49	18027090200	BAND CLAMP 20 EMBO TYPE			3	
202	51	36503050020	BAND CLAMP 32			4	
202	51	18027090320	BAND CLAMP 32 EMBO TYPE			4	
202	52	18711091301GB	COOLANT AIR VENT PIPE			1	
202	53	18711101300	QUICK CONNECTOR D9,49 ELBOW			2	
202	54	18711041500	HOSE , DOSING ELBOW			2	
202	54	18711041501	HOSE , DOSING ELBOW			2	
202	56	18711041401	HOSE , DOSING CONNECTION			1	
202	57	18711091400GB	DOSING RECOVERY TANK			1	
202	58	13155100161	UNION , M18 PF1/4	"HEX , B=22"		1	
202	59	V2173608025	BOLT , HEX/S	M8X25		2	
202	60	18711091201GB	PIPE COMP , COOLANT DIVIDER IN			1	
202	61	18711091101GB	PIPE COMP , COOLANT DIVIDER OUT			1	
202	62	18718200050	NIPPLE 3/4-16UNF(COOLANT)			2	
202	64	18711041200	HOSE , HEATER CONNECTION A			2	
202	65	V2183608020	BOLT , HEX/SP	M8X20		4	
202	66	14216210380	CABLE TIE , 200			2	
202	67	V2193606020	BOLT , HEX/SPL	M6X20		2	
202	68	14256210040	CLAMP , 9			1	
202	69	18029100150	LABEL , RADIATOR			1	
202	70	35012010080	PROTECTOR , 70			1	
202	70	16991600090	PROTECTOR , 70			1	
202	71	18027090200	BAND CLAMP 20 EMBO TYPE			4	

NOTE	
------	--

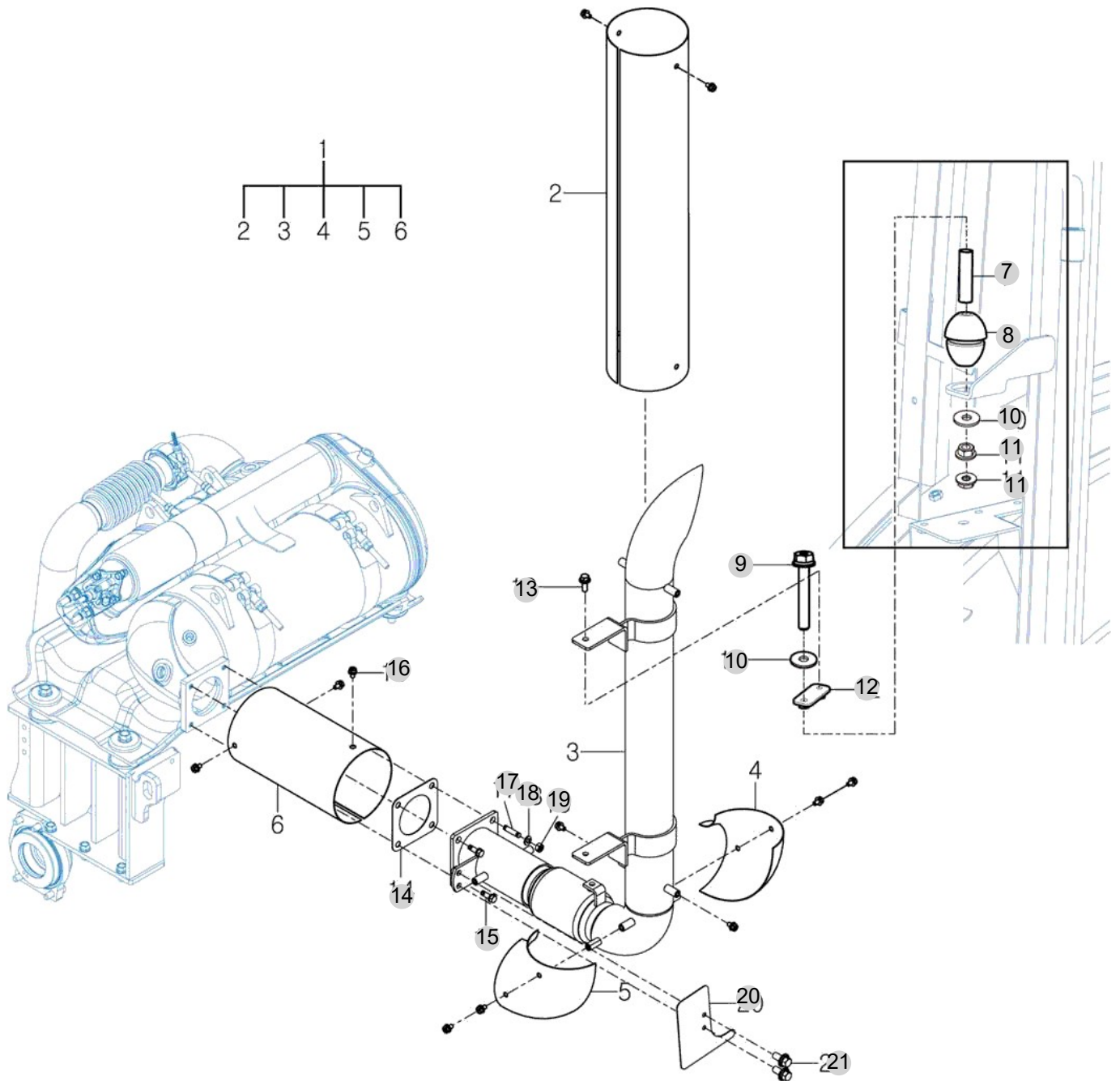
FIG 203

EXHAUST PIPE

년/월
Year/Month

2022-12

T1104SPEUA



T1054SP/T954SP-U-203

NOTE

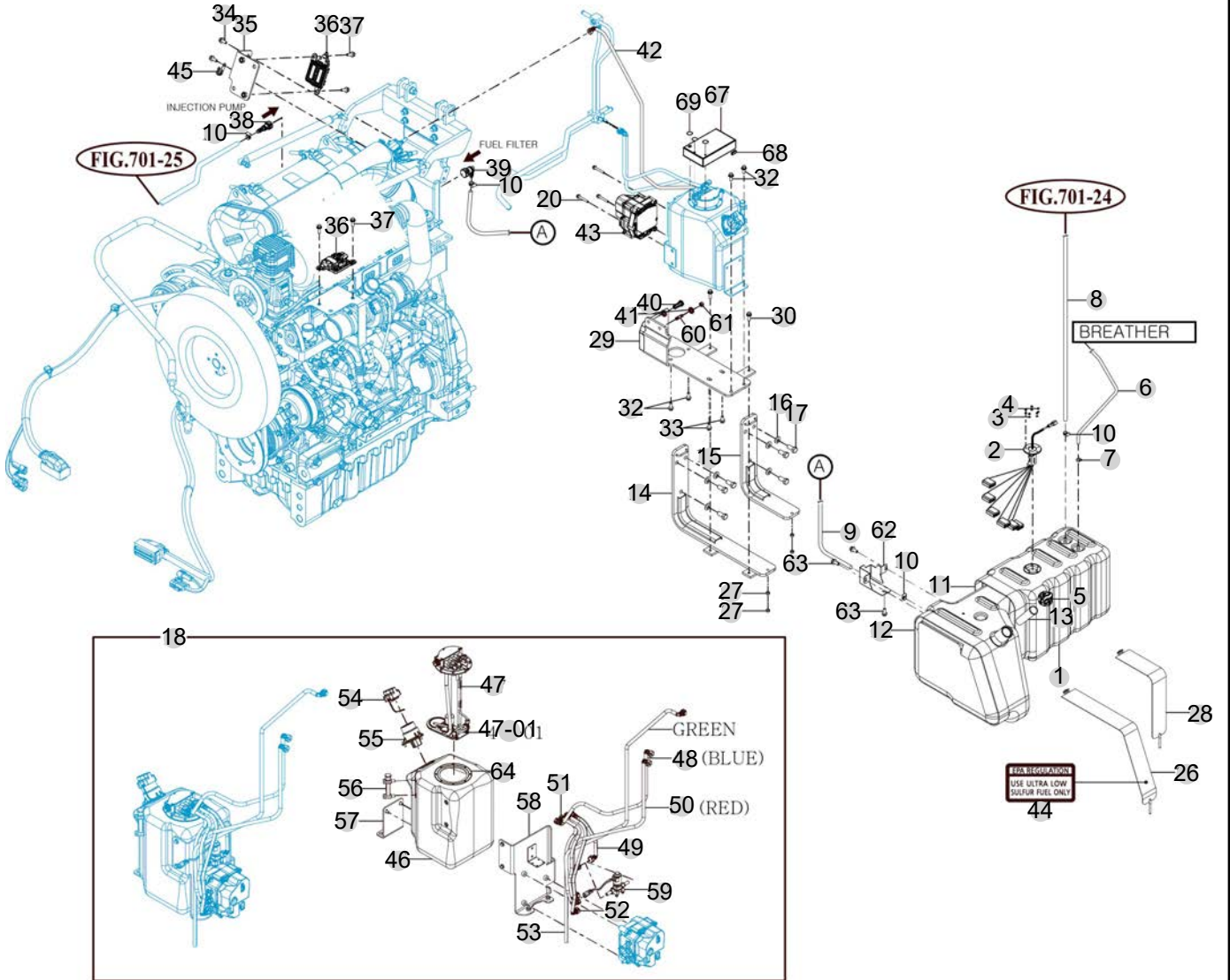
FIG 205

FUEL TANK & FUEL LINES

년/월
Year/Month

2022-12

T1104SPEUA



NOTE

FIG 205 T1104SPEUA		FUEL TANK & FUEL LINES					년/월 Year/Month	
							2022-12	
KEY NO	PART NO	DESCRIPTION	SPEC	QTY	REPAIR	EFFECTIVE DATE	REMARKS	
205	1	18711112102	FUEL TANK COMP			1		
205	2	18711112200	GAUGE , FUEL			1		
205	3	V4011600050	WASHER , SPRING	M5		5		
205	4	V3012600050	NUT , HEX/2	M5		5		
205	5	19143102200	CAP ASSY , FUEL	7.5X7.5X3.1		1		
205	5	19143102201	CAP ASSY , FUEL			1		
205	6	19141110020	HOSE , BREATHER/650	1X1X1		1		
205	7	14501410050	BAND CLAMP 16	1X1X1		1		
205	8	18711112300	HOSE , FUEL/FKM2000			1		
205	9	18711112400	HOSE , FUEL/FKM1500			1		
205	10	18027090200	BAND CLAMP 20 EMBO TYPE			4		
205	11	18711112700	SPONGE , 1140			1		
205	12	18711112600	SPONGE , 1570			1		
205	13	18711112500	FILTER , FUEL TANK			1		
205	14	18711113101GB	BRACKET COMP , FUEL TANK/FR			1		
205	15	18711113200GB	BRACKET COMP , FUEL TANK/RR			1		
205	16	V4011600160	WASHER , SPRING	M16		6		
205	17	V2014616035	BOLT , HEX	M16X35		6		
205	18	18711122001	UREA TANK ASSY			1		
205	18	18711122002	UREA TANK ASSY			1		
205	18	18711122003	UREA TANK ASSY			1		
205	20	V2183608060	BOLT , HEX/SP	M8X60		3		
205	26	18711114100GB	TANK BAND COMP , FUEL TANK/FR			1		
205	27	V3043600100	NUT , HEX/2	M10		2		
205	28	18711114200GB	TANK BAND COMP , FUEL TANK/RR			1		
205	29	18711113301GB	BRACKET COMP , UREA TANK			1		
205	29	18711113302GB	BRACKET COMP , UREA TANK			1		
205	30	V2183610035	BOLT , HEX/SP	M10X35		2		
205	32	V2183610030	BOLT , HEX/SP	M10X30		4		
205	33	V2183610025	BOLT , HEX/SP	M10X25		2		
205	34	V2183608020	BOLT , HEX/SP	M8X20		2		
205	35	18711046400GB	BKT , NOx SENSOR			1		
205	36	301308-00454	NOx, SENSOR ASS'Y			2		
205	37	V2183608016	BOLT , HEX/SP	M8X16		4		
205	38	18711101200	QUICK CONNECTOR D8			1		
205	39	18711101100	QUICK CONNECTOR D9.89 ELBOW			1		
205	40	V2013612020	BOLT , HEX	M12X20		1		
205	41	V4011600120	WASHER , SPRING	M12		2		
205	42	18711122800	UREA HOSE , OUT			1		
205	43	300628-00302	SUPPLY MODULE			1		
205	44	18711201100	LABEL , ULTRA LOW SULFUR			1		
205	45	14256210040	CLAMP , 9			1		
205	46	18711122100	UREA TANK COMP			1		
205	47	18711122202	UREA LEVEL SENDER ASSY			1		
205	47	18711122203	UREA LEVEL SENDER ASSY			1		
NOTE								

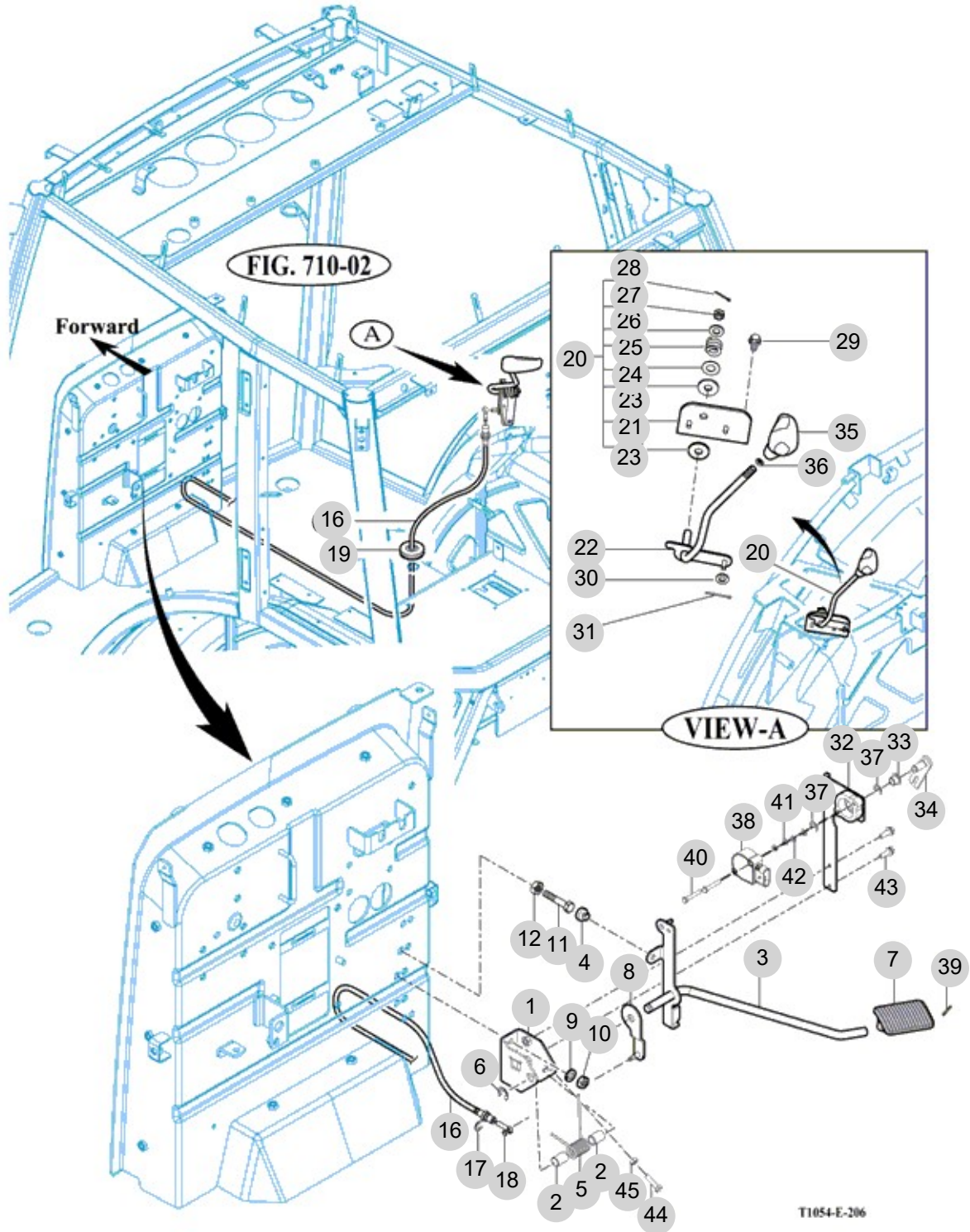
FIG 206

CABLE, THROTTLE & ACCELERATOR ASSY

년/월
Year/Month

2022-12

T1104SPEUA



NOTE

FIG 206		CABLE, THROTTLE & ACCELERATOR ASSY					년/월 Year/Month	
T1104SPEUA							2022-12	
KEY NO	PART NO	DESCRIPTION	SPEC	QTY	REPAIR	EFFECTIVE DATE	REMARKS	
206	1	18717552200	PLATE COMP , SUPPORT					
206	2	36504400140	BUSH , 12X14X20					
206	3	18717552100GB	PEDAL COMP , ACCELERATOR					
206	4	13156032121	RUBBER					
206	5	19027552020	SPRING , ACCEL	D=2.9				
206	6	V7081400100	E-RING	10				
206	7	19027552032	PEDAL , ACCEL					
206	8	19027552300	PLATE COMP					
206	9	V4011600080	WASHER , SPRING	M8				
206	10	V3042600080	NUT , HEX/2	M8				
206	11	V2013608040	BOLT , HEX	M8X40				
206	12	V3042600080	NUT , HEX/2	M8				
206	16	19027553201	CABLE ASSY , HAND THROTTLE					
206	17	V7081400080	E-RING	8				
206	18	V7081400040	E-RING	4				
206	19	19027553230	GROMMET , CABLE/D8					
206	20	19157553000	ACCELERATOR ASSY					
206	21	13151163100GB	BRACKET COMP , ACCELERATOR					
206	22	19157553100GB	LEVER COMP , THROTTLE					
206	23	15965120021	LINING , 11X30X03	11X30X3				
206	24	36104400180	WASHER	T=1.0				
206	25	14041170080	SPRING , COMPRESSION 22					
206	26	V4111600100	WASHER , PLAIN	M10				
206	27	V3232600100	NUT , HEX SLOT & CASTLE	M10				
206	28	V5001925020	PIN D2.5x20	2.5X20				
206	29	V2183608020	BOLT , HEX/SP	M8X20				
206	30	V4111600060	WASHER , PLAIN	M6				
206	31	V5001920020	PIN , SPLIT	2X20				
206	32	18717552400	PLATE COMP , SENSOR					
206	33	15645120010	BUSH , 10X18X10					
206	34	18717552500	SHAFT COMP , ARM					
206	35	19157553300	KNOB COMP , HAND THROTTLE					
206	36	19027010010	NUT , HEX FINE/2	M10				
206	37	V7081400080	E-RING					
206	38	17466462500	THROTTLE SENSOR ASSY					
206	39	V5001925025	PIN , SPLIT	5X25				
206	40	V1112605030	SCREW , C/R PAN					
206	41	V4111600050	WASHER , PLAIN	M5				
206	42	V4011600050	WASHER , SPRING	M5				
206	43	V2123606020	BOLT , HEX /SP	M6X20				
206	44	V2003606025	BOLT , HEX	M6X25				
206	45	V3012600060	NUT , HEX/2	M6				
NOTE								

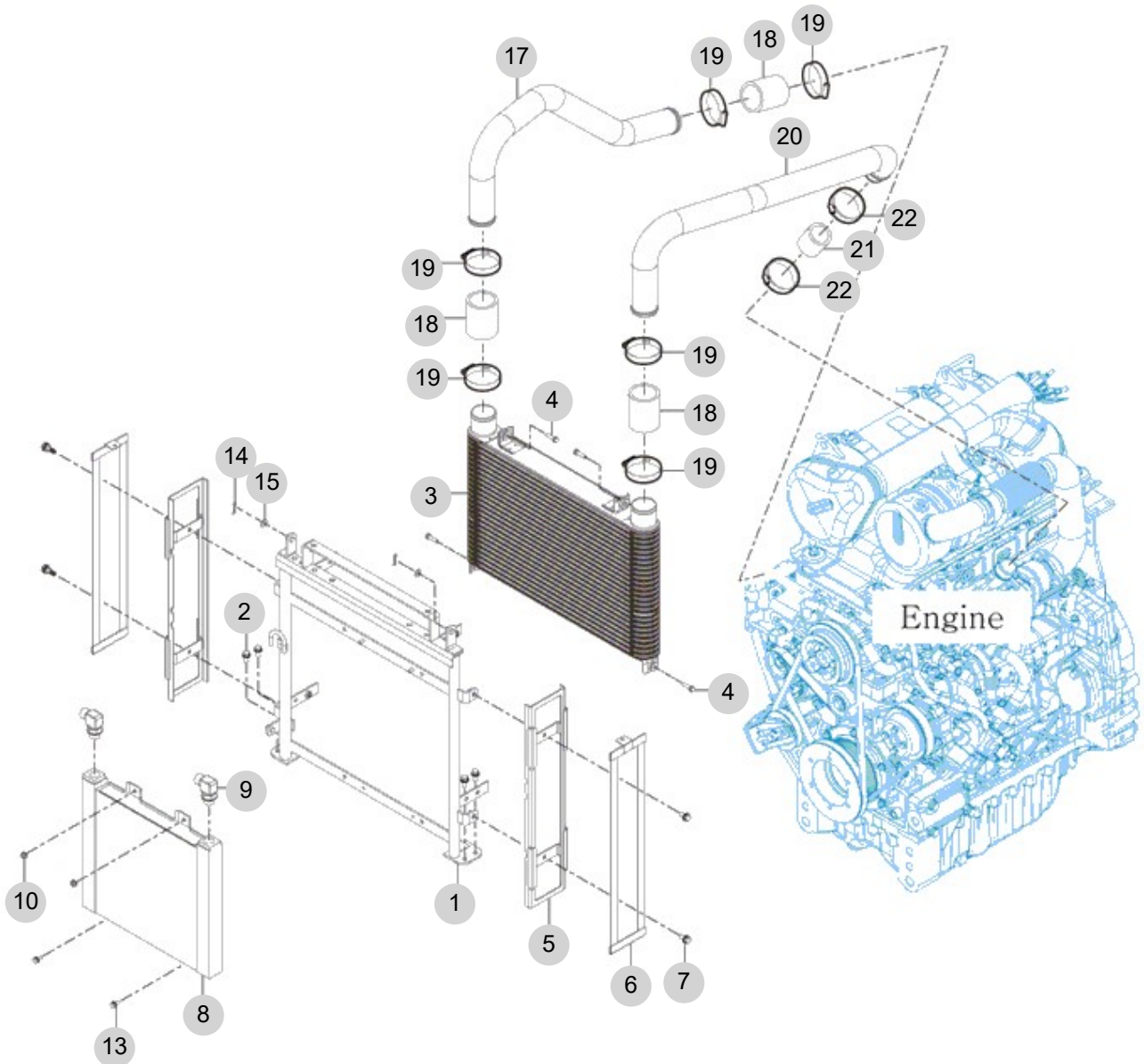
FIG 207

INTERCOOLER

년/월
Year/Month

T1104SPEUA

2022-12



NOTE

3. Clutch/Brake/Steering PART NO. T3

FIG 301 DAMPER FLANGE ASSY	117
FIG 302 CASE SUB ASSY, BRAKE	119
FIG 303 BRAKE PIPES	121
FIG 303-2 BRAKE	123
FIG 304 FRONT WHEEL	125
FIG 305 REAR WHEEL	127
FIG 306 STEERING WHEEL ASSY	129
FIG 307 POWER STEERING VALVE	131
FIG 308 POWER STEERING CYLINDER	133
FIG 309 SUB CLUTCH PEDAL	135
FIG 310 HAND BRAKE SUB	137

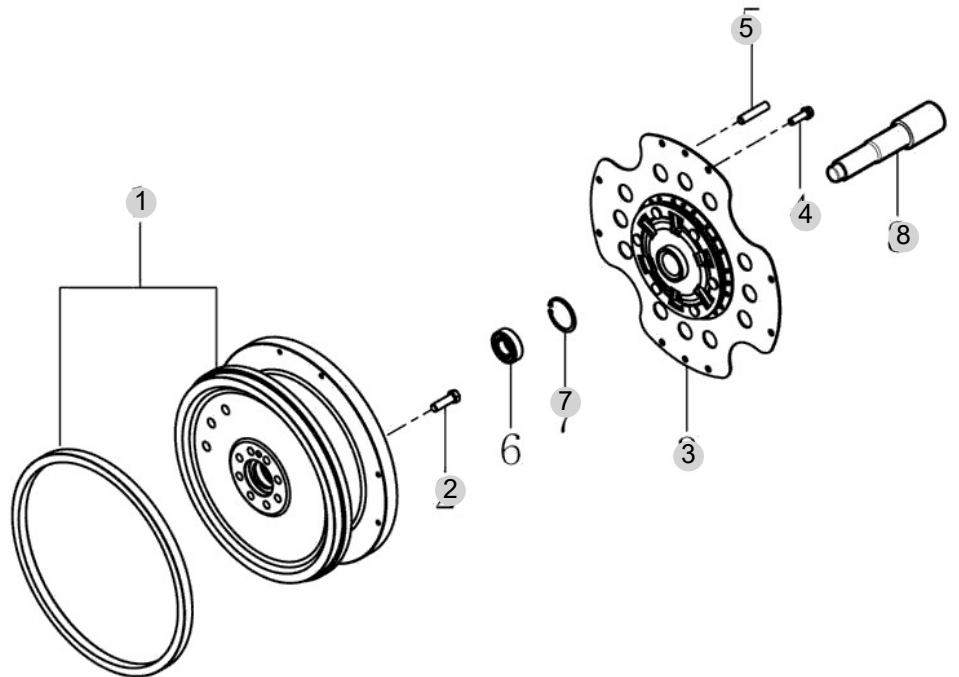
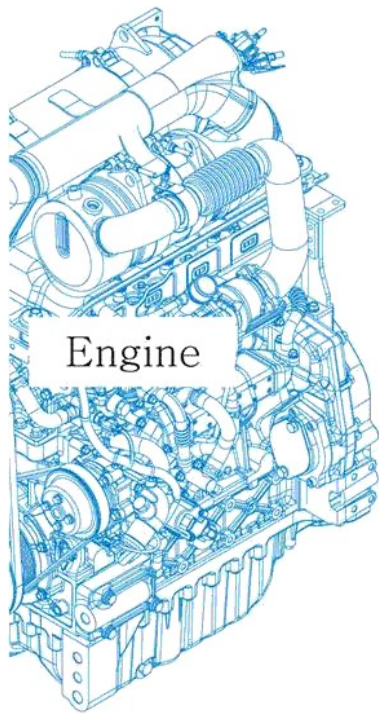
FIG 301

T1104SPEUA

DAMPER FLANGE ASSY

년/월
Year/Month

2022-12



NOTE

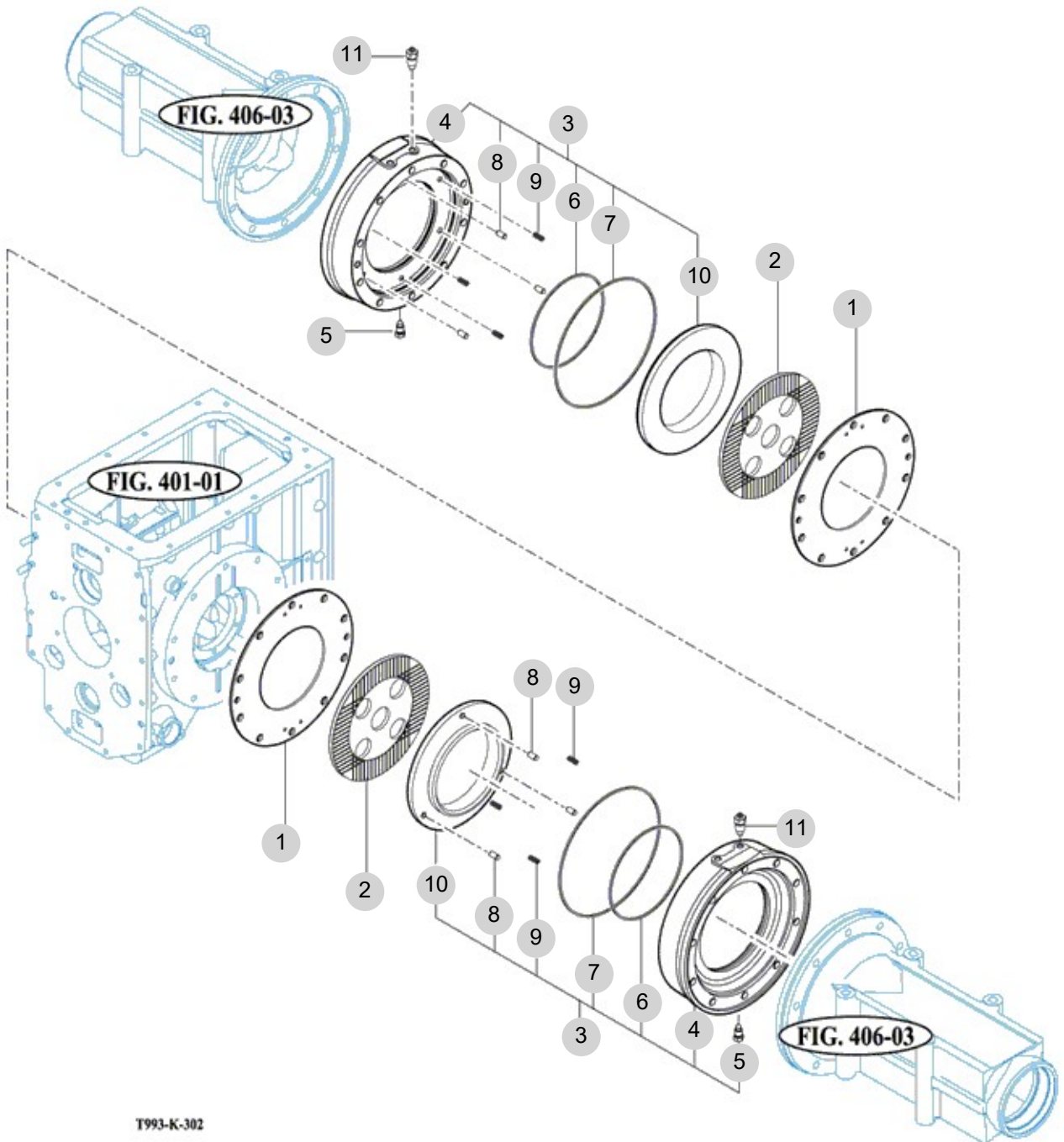
FIG 302

T1104SPEUA

CASE SUB ASSY, BRAKE

년/월
Year/Month

2022-12



NOTE

FIG 302 T1104SPEUA	CASE SUB ASSY, BRAKE	년/월 Year/Month
		2022-12

KEY NO	PART NO	DESCRIPTION	SPEC	QTY	REPAIR	EFFECTIVE DATE	REMARKS
302	1	19022480011	PLATE , PRESSURE	2			
302	2	18712482100	PLATE COMP.DISC	2			
302	3	19022485000	CASE SUB , BRAKE	2			
302	4	19022480021M	CASE , BRAKE	1			
302	4	19022480022M	CASE , BRAKE	2			
302	5	19022480030	PLUG , M12X24	2		HEX B=14	
302	6	19022480040	RING , SEAL190	2			
302	7	19022480050	RING , SEAL265	2			
302	8	19022480060	PIN10X20	6			
302	9	19022480070	SPRING	6		D=1.2	
302	10	19022480080	PISTON , BRAKE	2			
302	11	19022480090	SCREW	2		HEX B=14	

NOTE

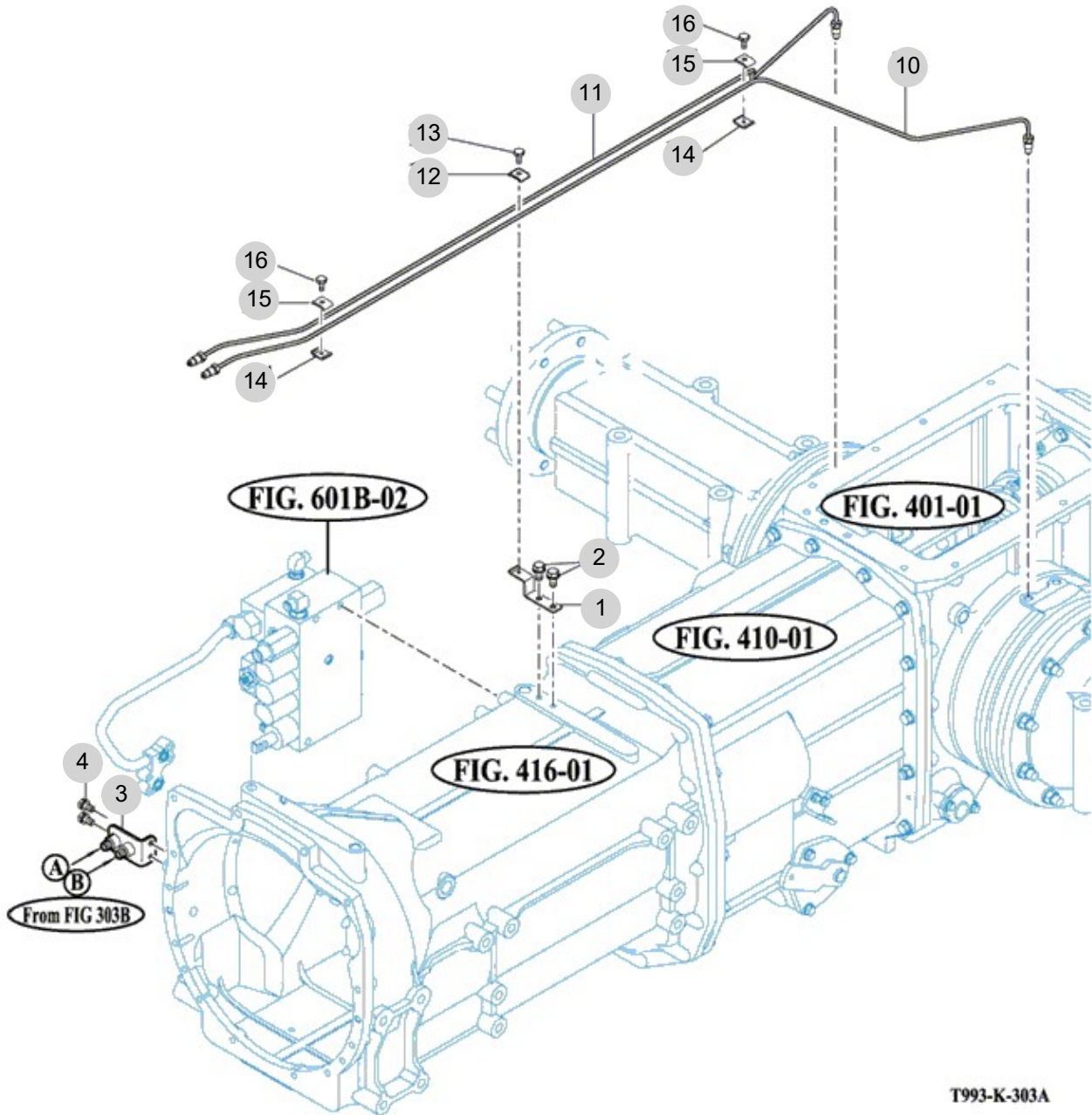
FIG 303

T1104SPEUA

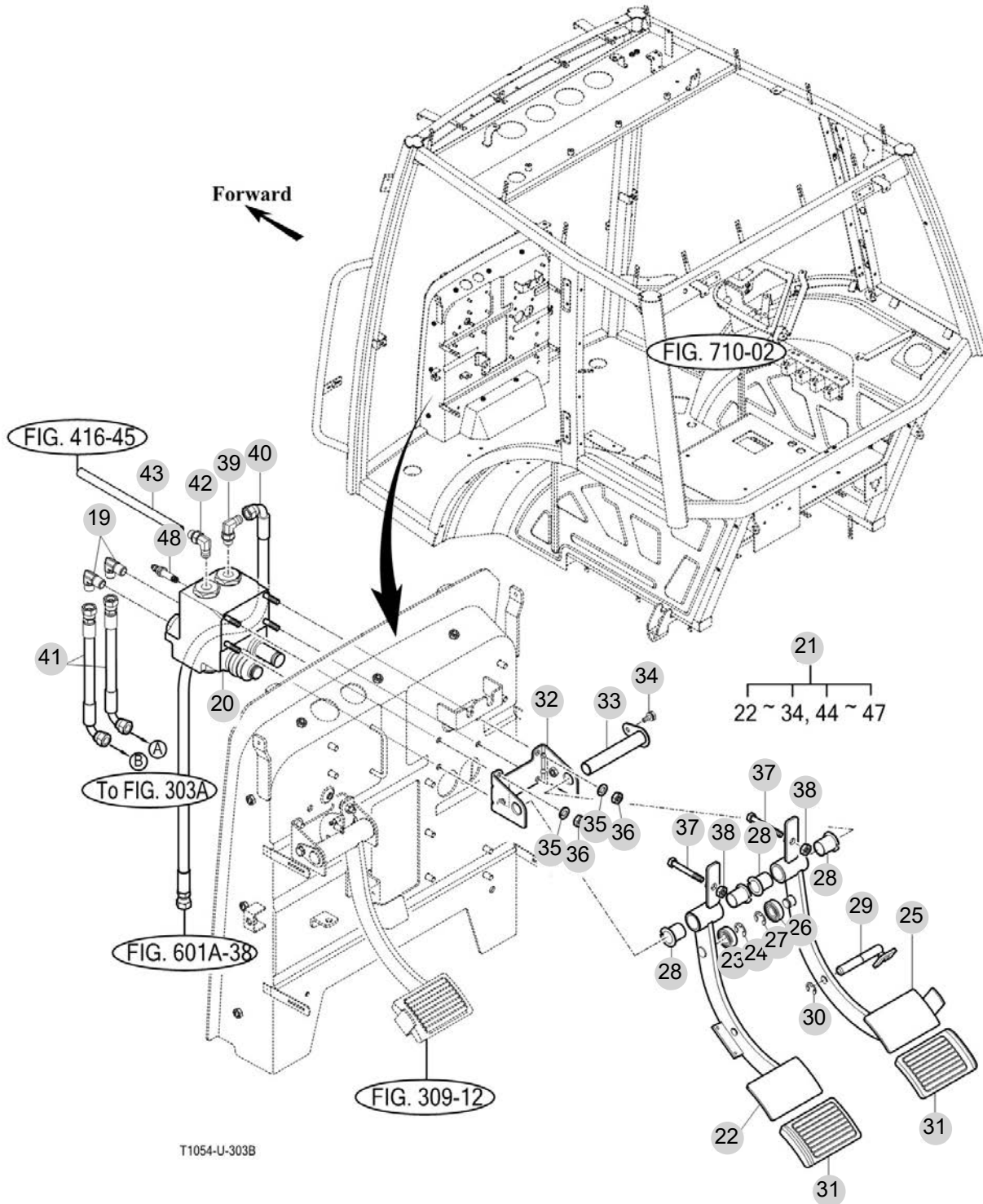
BRAKE PIPES

년/월
Year/Month

2022-12



NOTE



NOTE

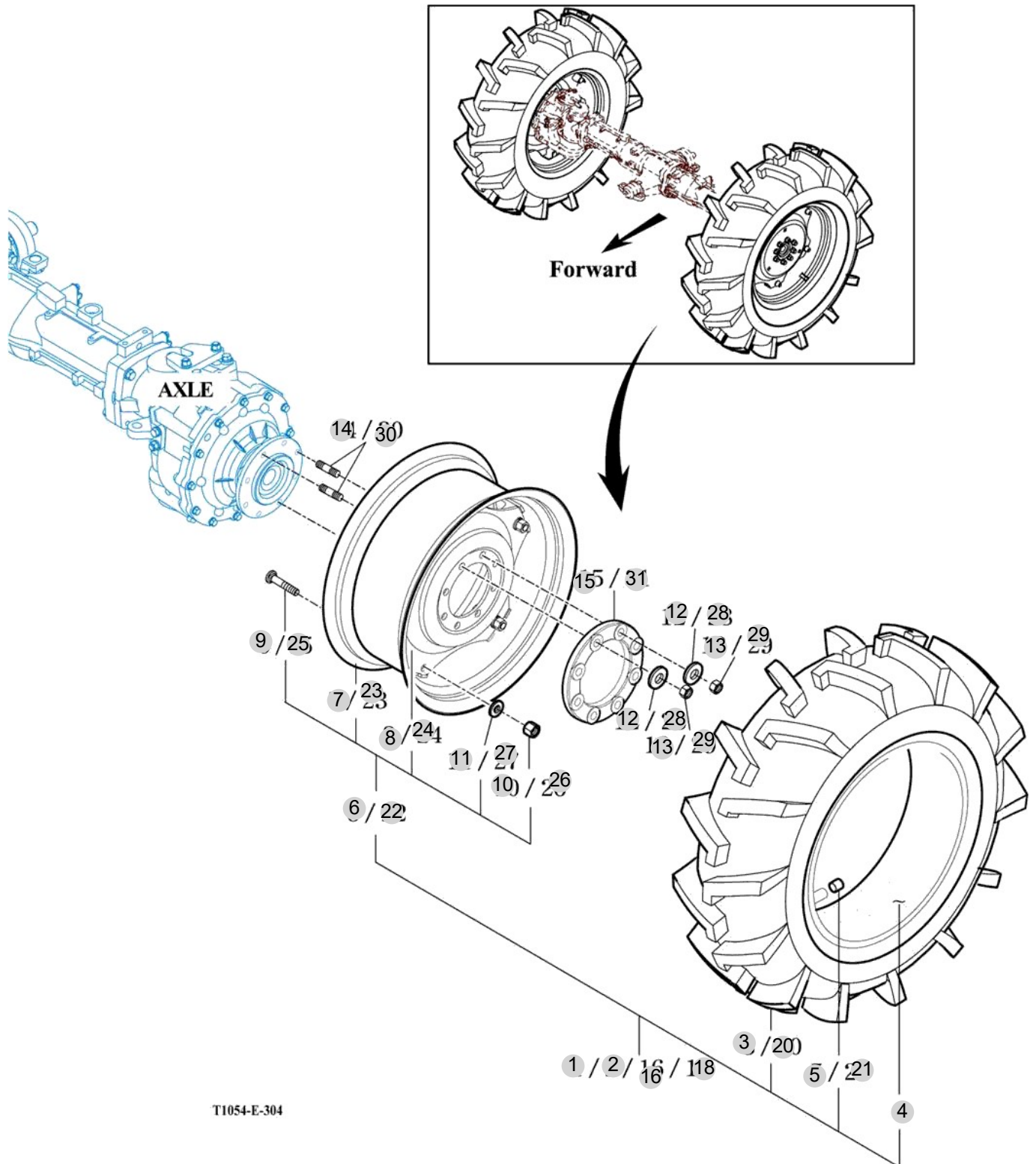
FIG 304

FRONT WHEEL

년/월
Year/Month

T1104SPEUA

2022-12



NOTE

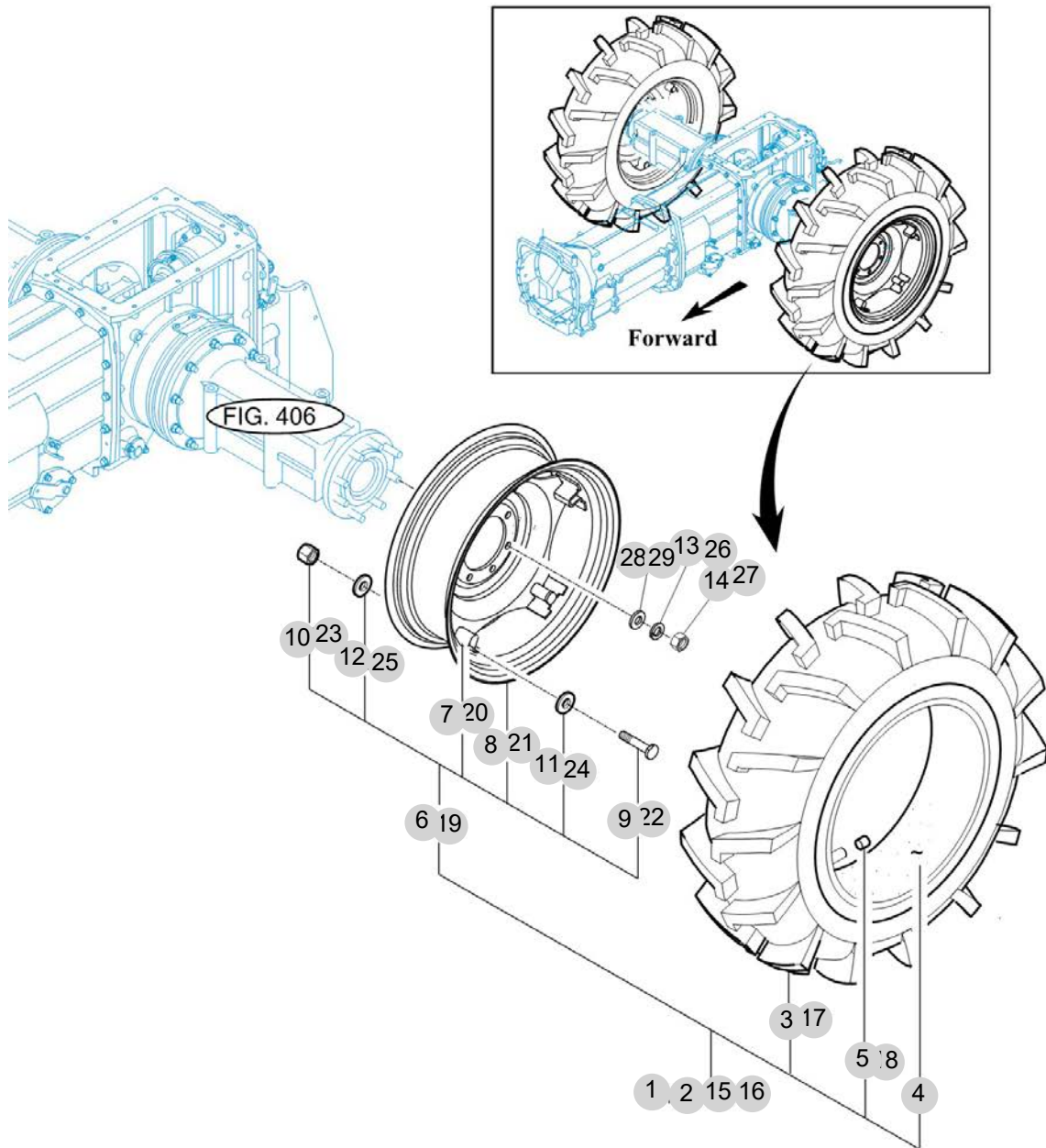
FIG 305

T1104SPEUA

REAR WHEEL

년/월
Year/Month

2022-12



T1054-E-305

NOTE

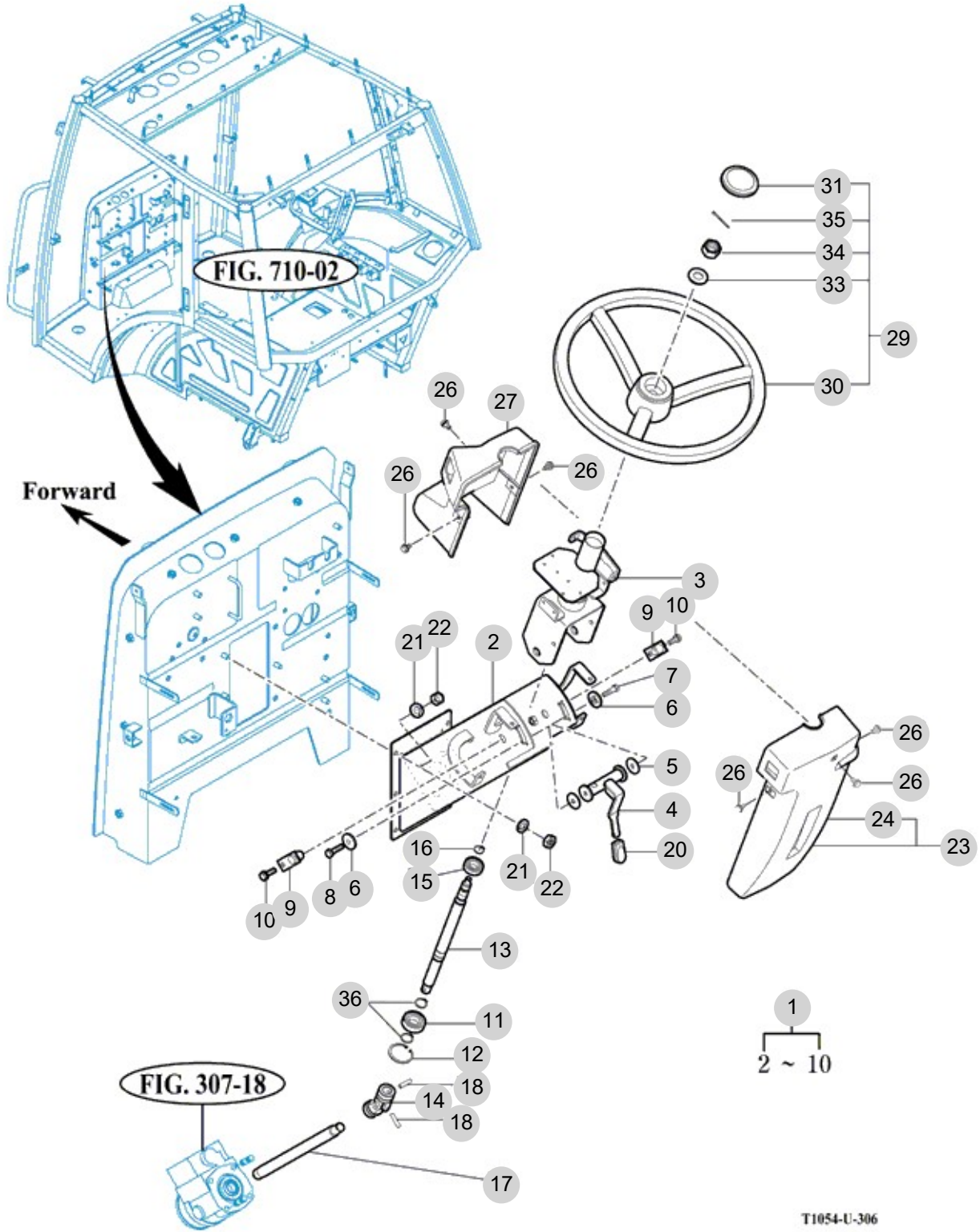
FIG 306

STEERING WHEEL ASSY

년/월
Year/Month

2022-12

T1104SPEUA



T1054-U-306

NOTE

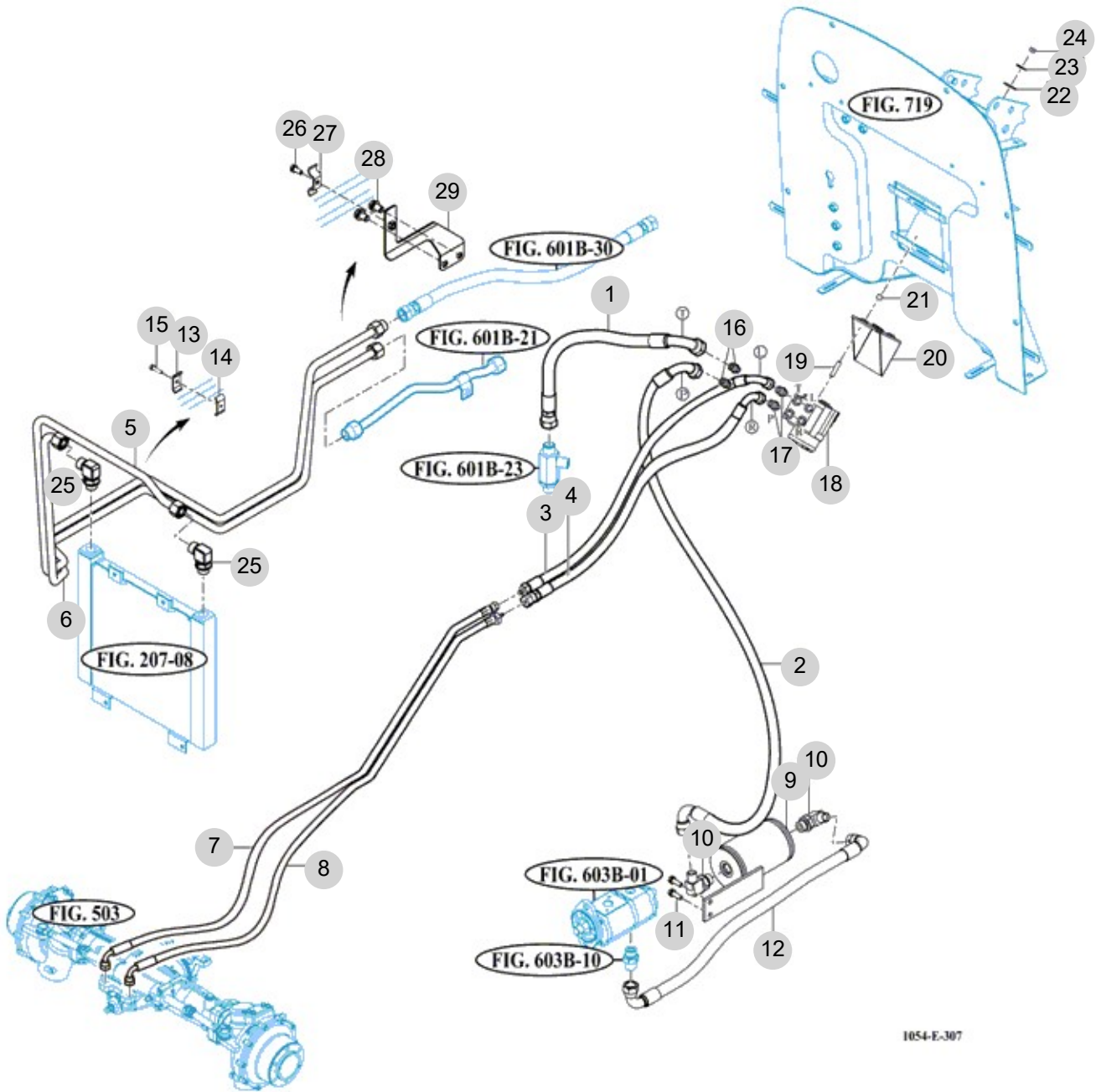
FIG 307

T1104SPEUA

POWER STEERING VALVE

년/월
Year/Month

2022-12



1054-E-307

NOTE

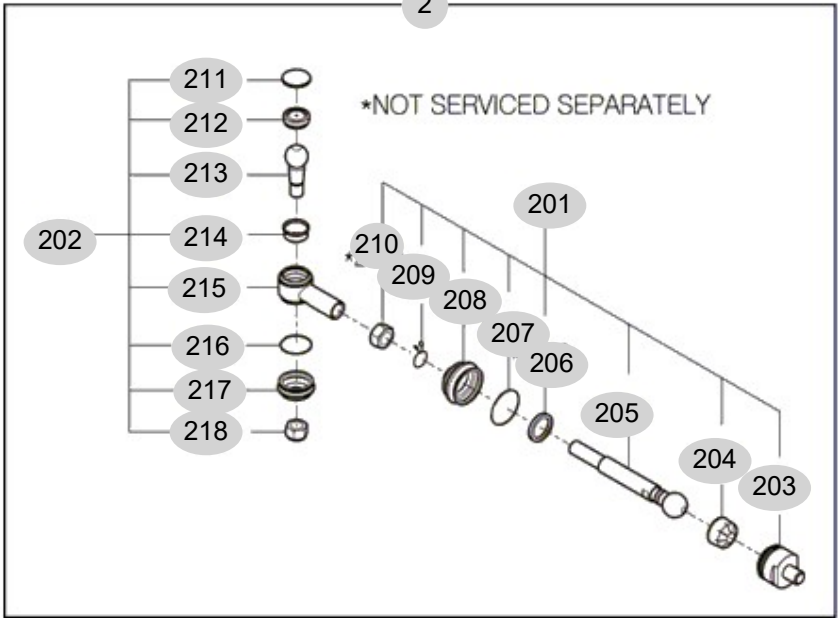
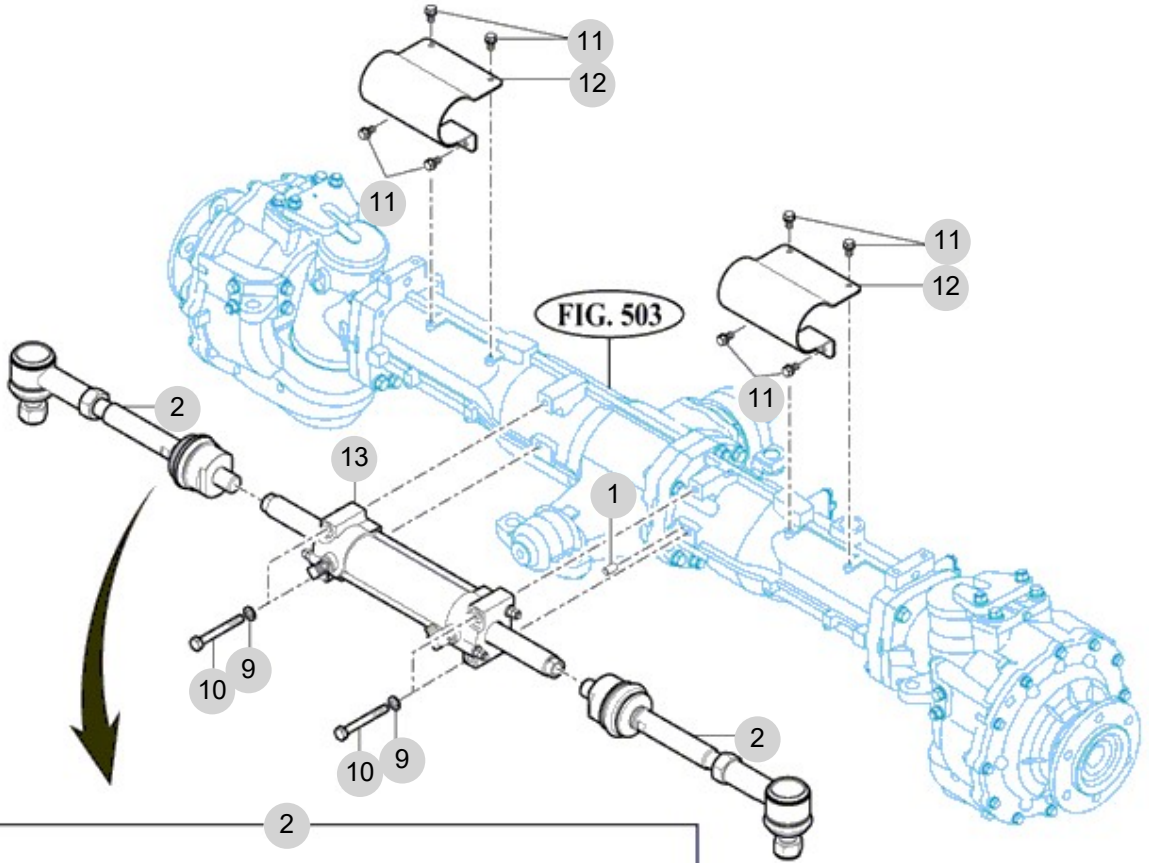
FIG 308

POWER STEERING CYLINDER

년/월
Year/Month

2022-12

T1104SPEUA



TX1003/903-K-308

NOTE

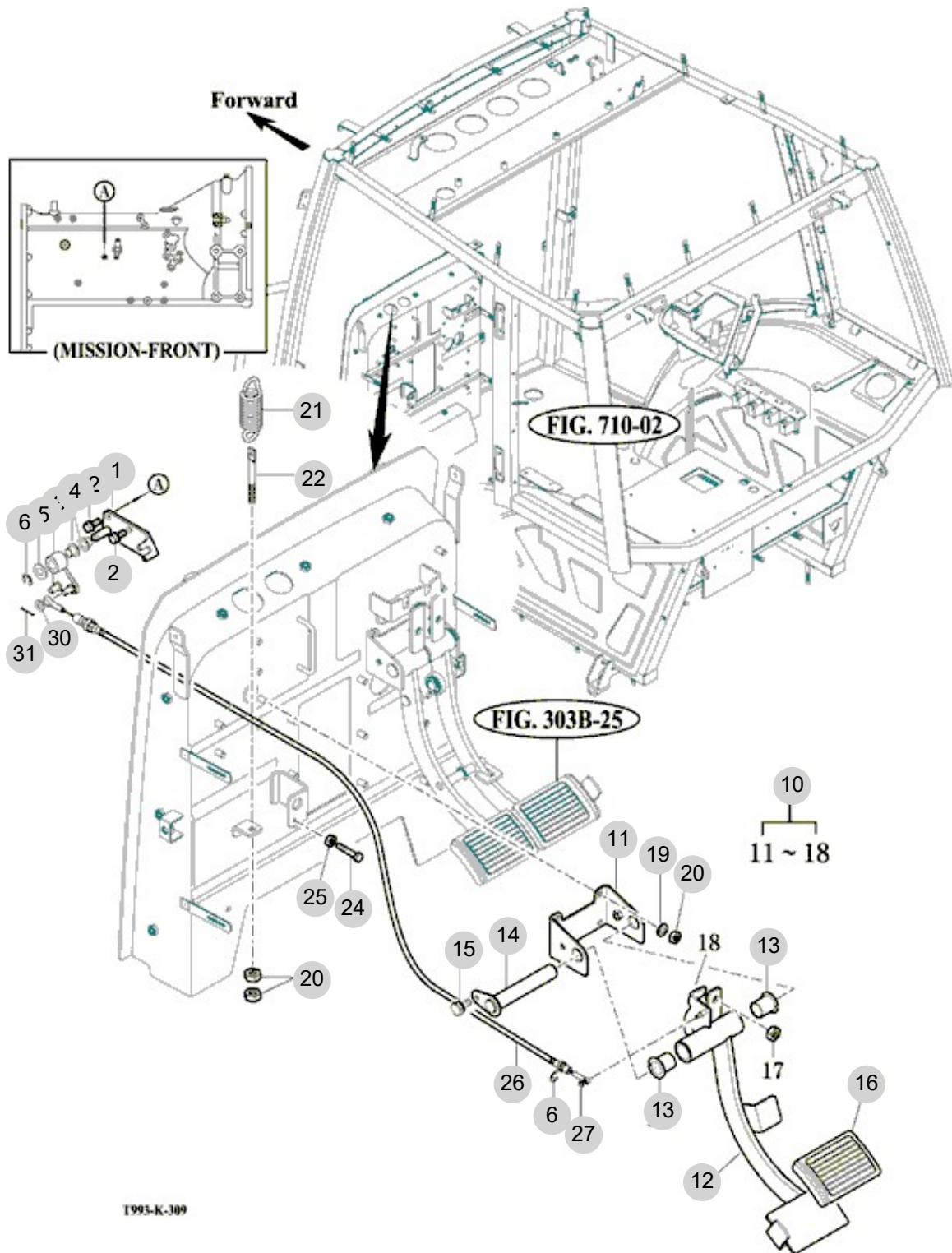
FIG 309

SUB CLUTCH PEDAL

년/월
Year/Month

2022-12

T1104SPEUA



NOTE

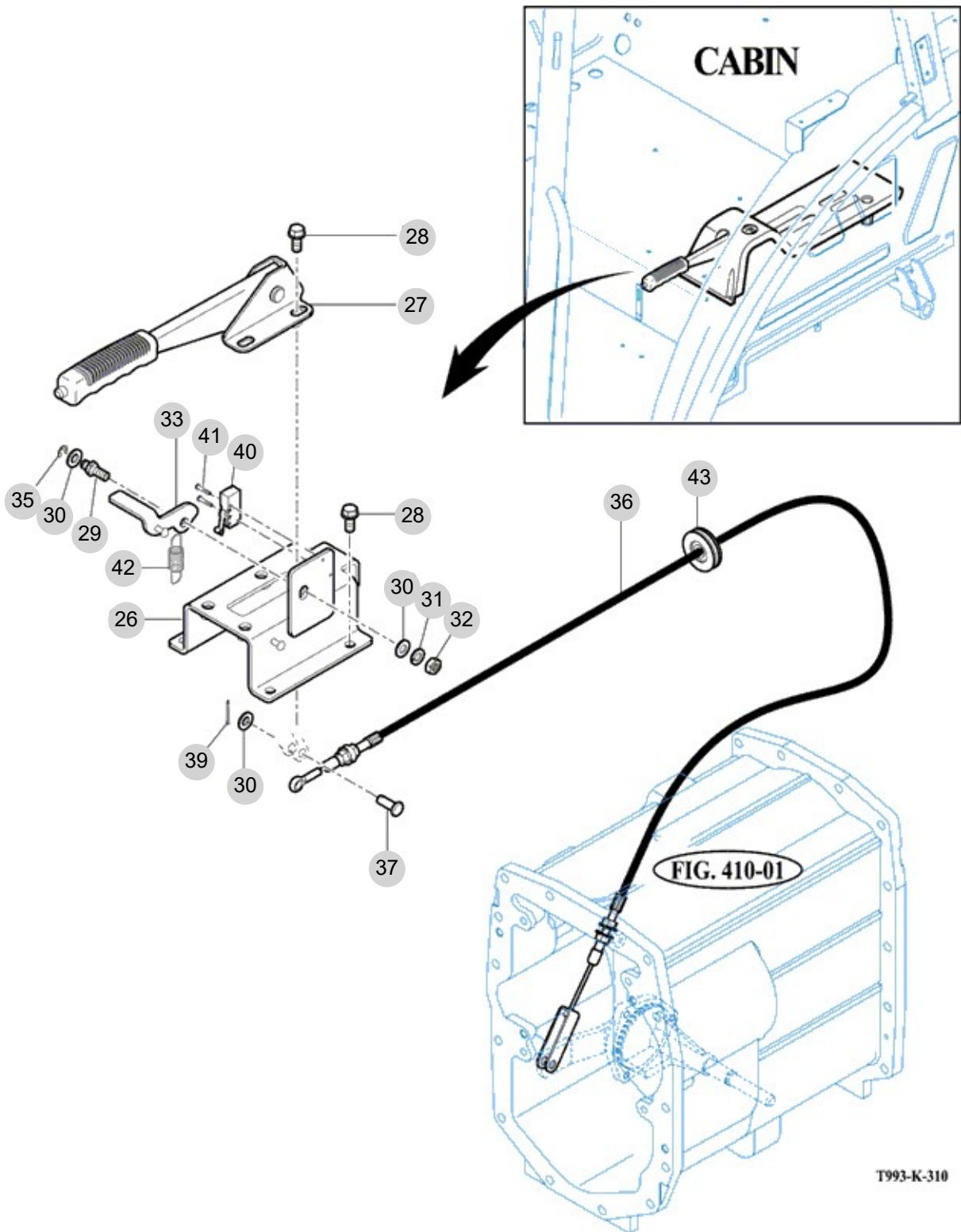
FIG 310

T1104SPEUA

HAND BRAKE SUB

년/월
Year/Month

2022-12



T993-K-310

NOTE

4. Transmission PART NO. T4

FIG 401 CASE SUB, RR TRANSMISSION	140
FIG 402 METAL SUB ASSY, PINION	142
FIG 402-2 DIFF ASSY, RR	144
FIG 403 SUB CHANGE GEARS	146
FIG 404 SUB CHANGE LEVER	148
FIG 405 4WD DRIVE GEARS	150
FIG 406 HOUSING, RR AXLE	152
FIG 407 540,750,1000 PTO CASE	154
FIG 408 SHAFT, PTO	156
FIG 408-2 PTO CLUTCH ASSY	158
FIG 409 METAL SUB ASSY	160
FIG 410 CASE, MID TRANSMISSION	162
FIG 411 MAIN CHANGE GEARS	164
FIG 412 MAIN CHANGE LEVER	166
FIG 413 PARKING BRAKE	168
FIG 414 POWER SHUTTLE GEAR	170
FIG 415 POWER SHIFT GEAR	172
FIG 416 CASE, FR TRANSMISSION	174

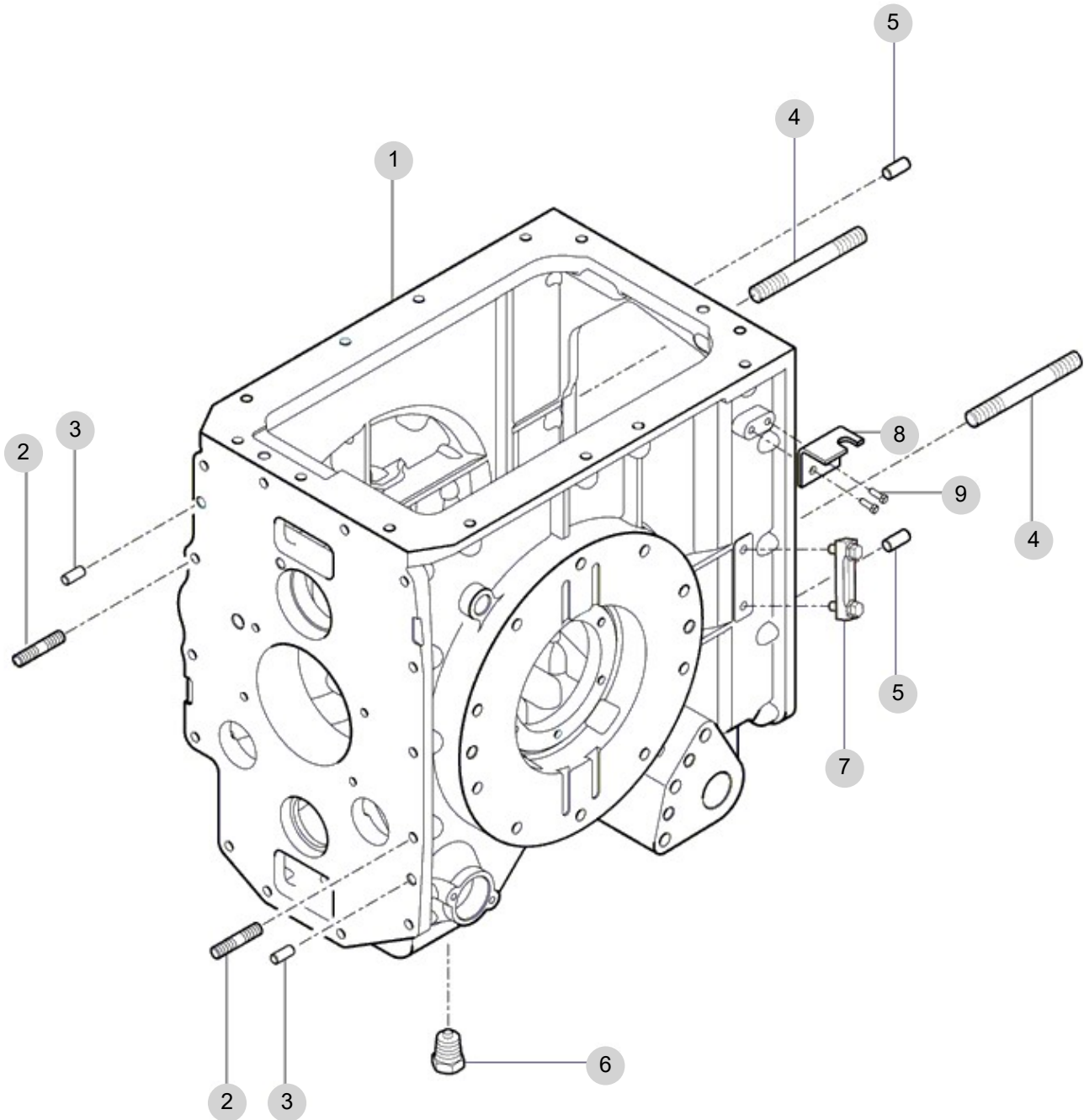
FIG 401

T1104SPEUA

CASE SUB, RR TRANSMISSION

년/월
Year/Month

2022-12



T1104S979GSP-11-401

NOTE

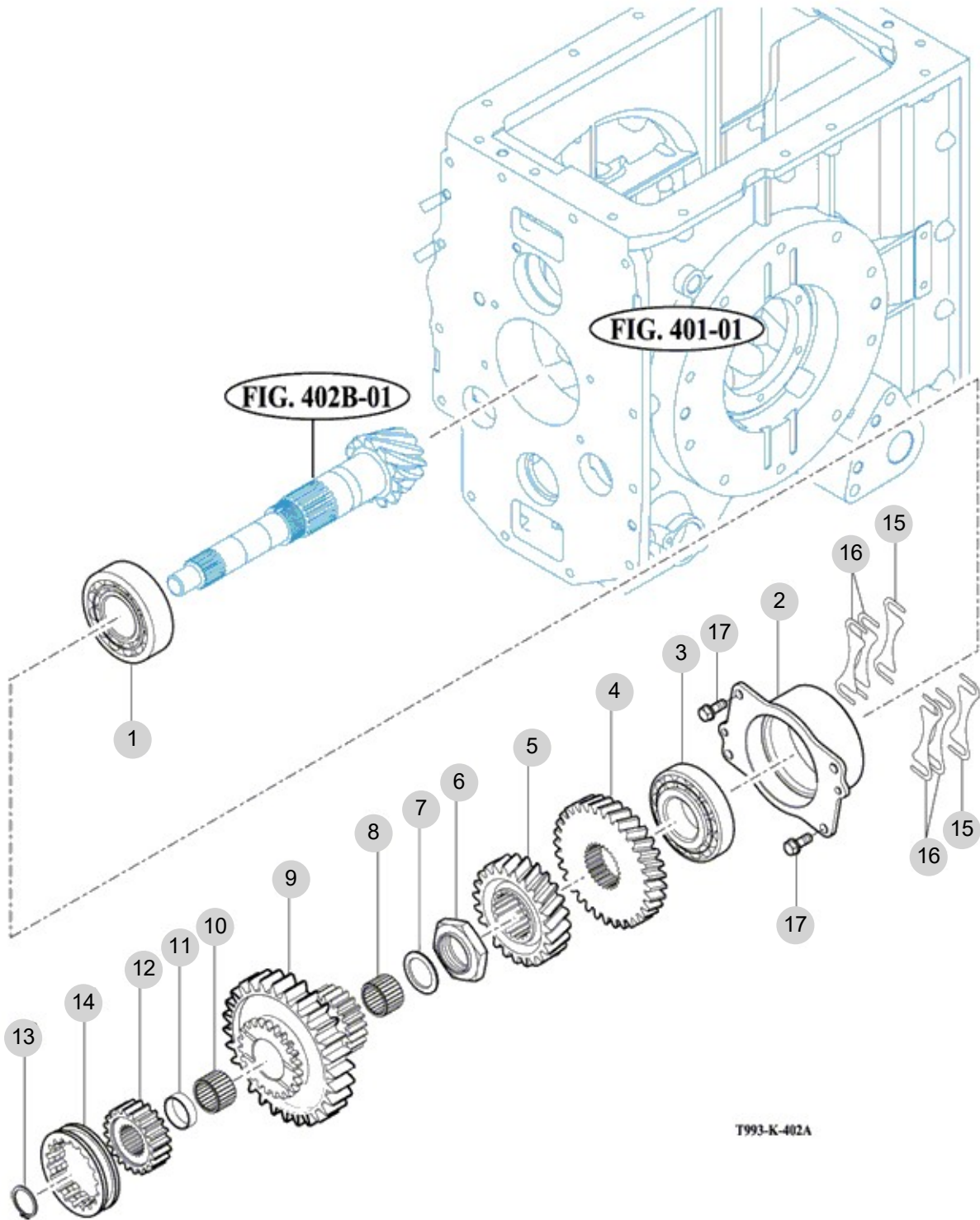
FIG 402

T1104SPEUA

METAL SUB ASSY, PINION

년/월
Year/Month

2022-12



NOTE

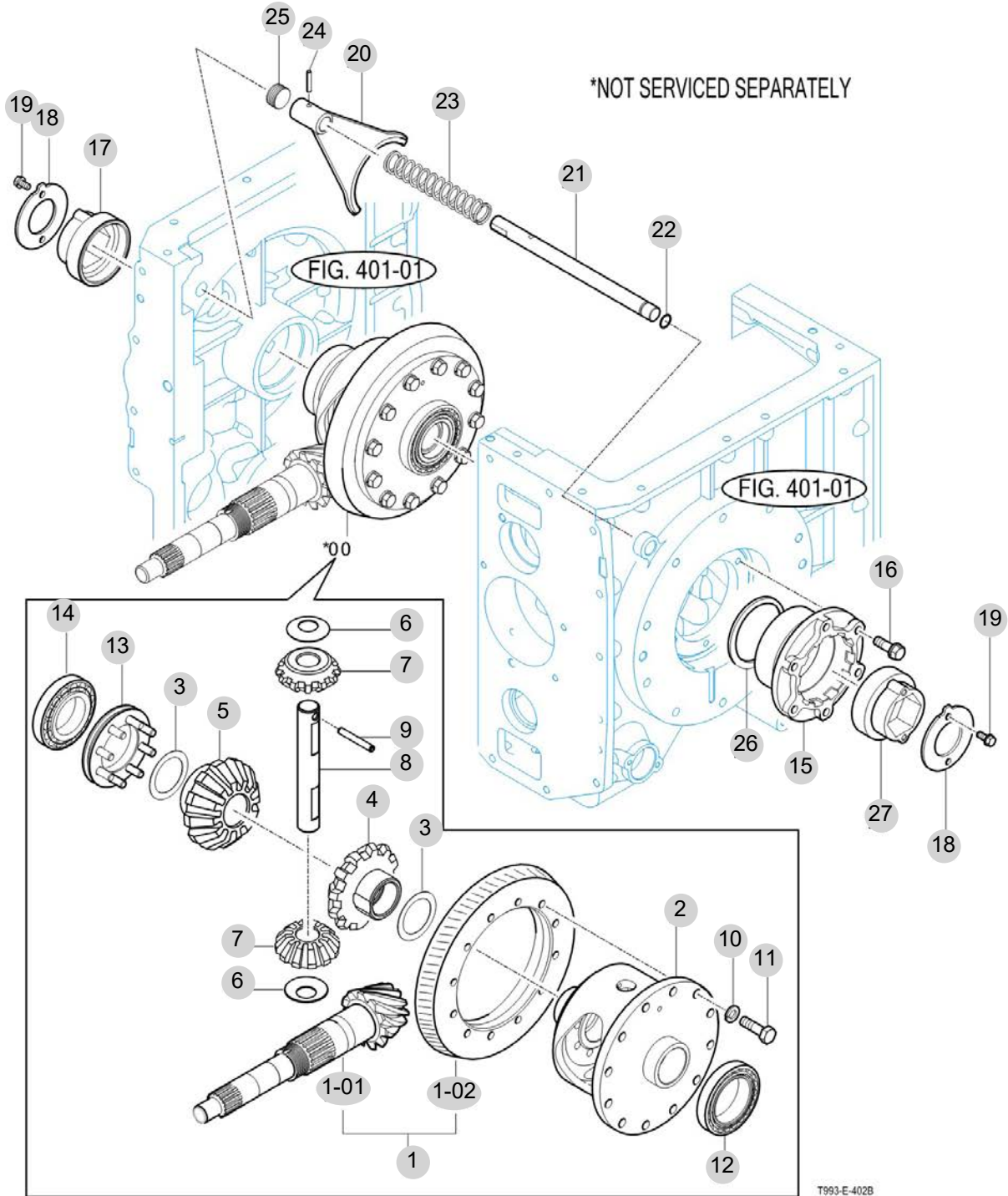
FIG 402-2

DIFF ASSY, RR

년/월
Year/Month

T1104SPEUA

2022-12



NOTE

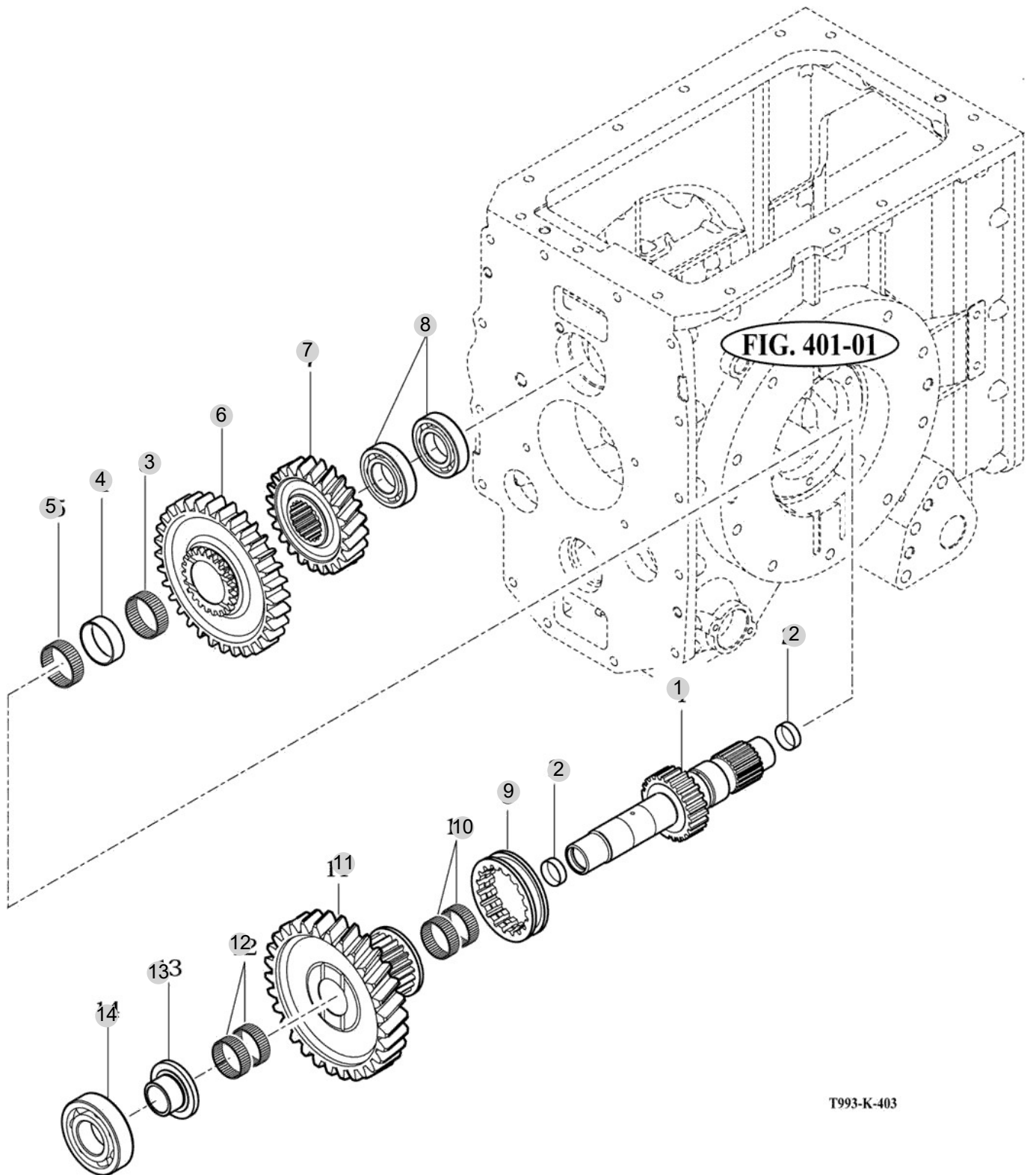
FIG 403

SUB CHANGE GEARS

년/월
Year/Month

T1104SPEUA

2022-12



T993-K-403

NOTE

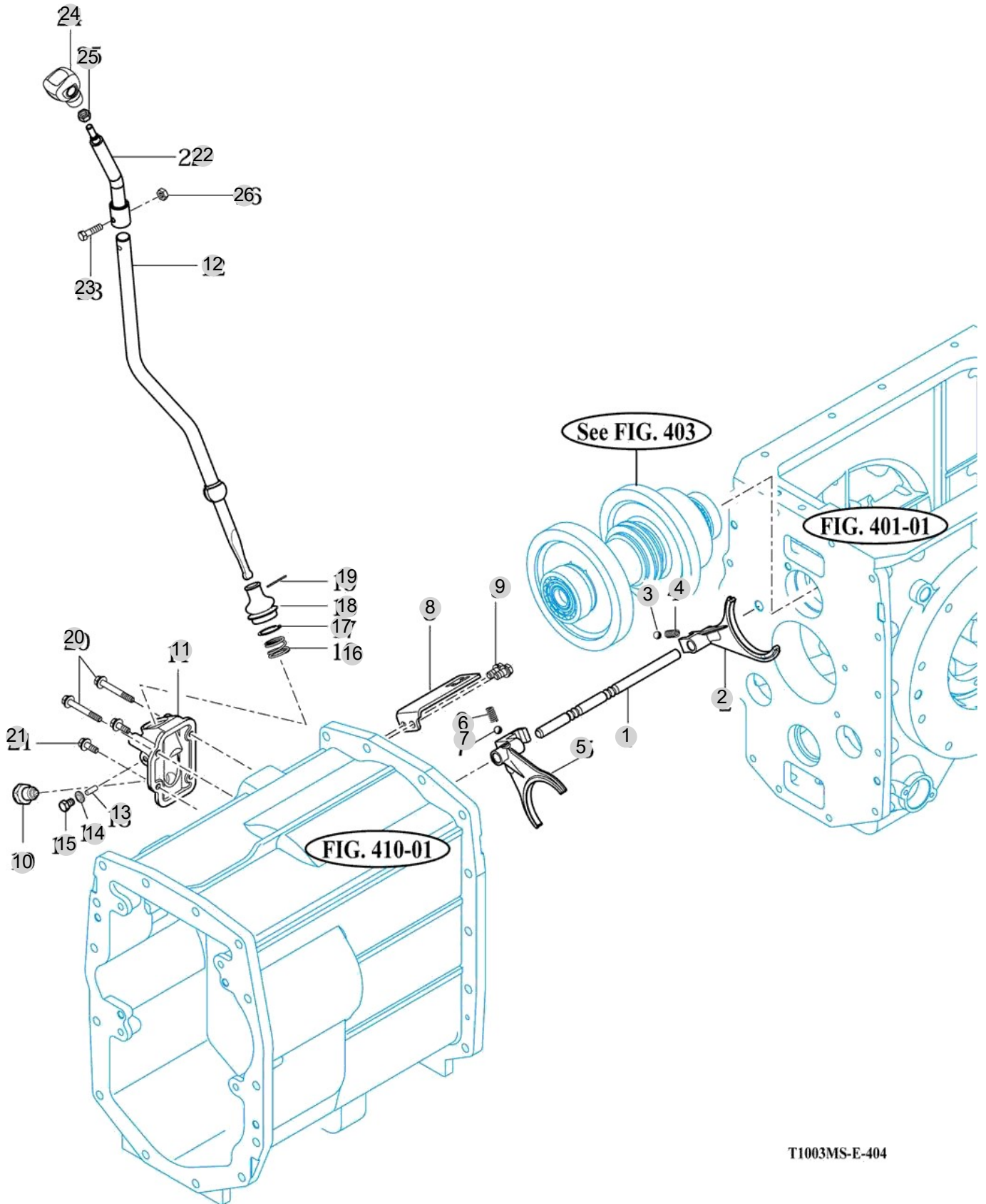
FIG 404

SUB CHANGE LEVER

년/월
Year/Month

2022-12

T1104SPEUA



T1003MS-E-404

NOTE

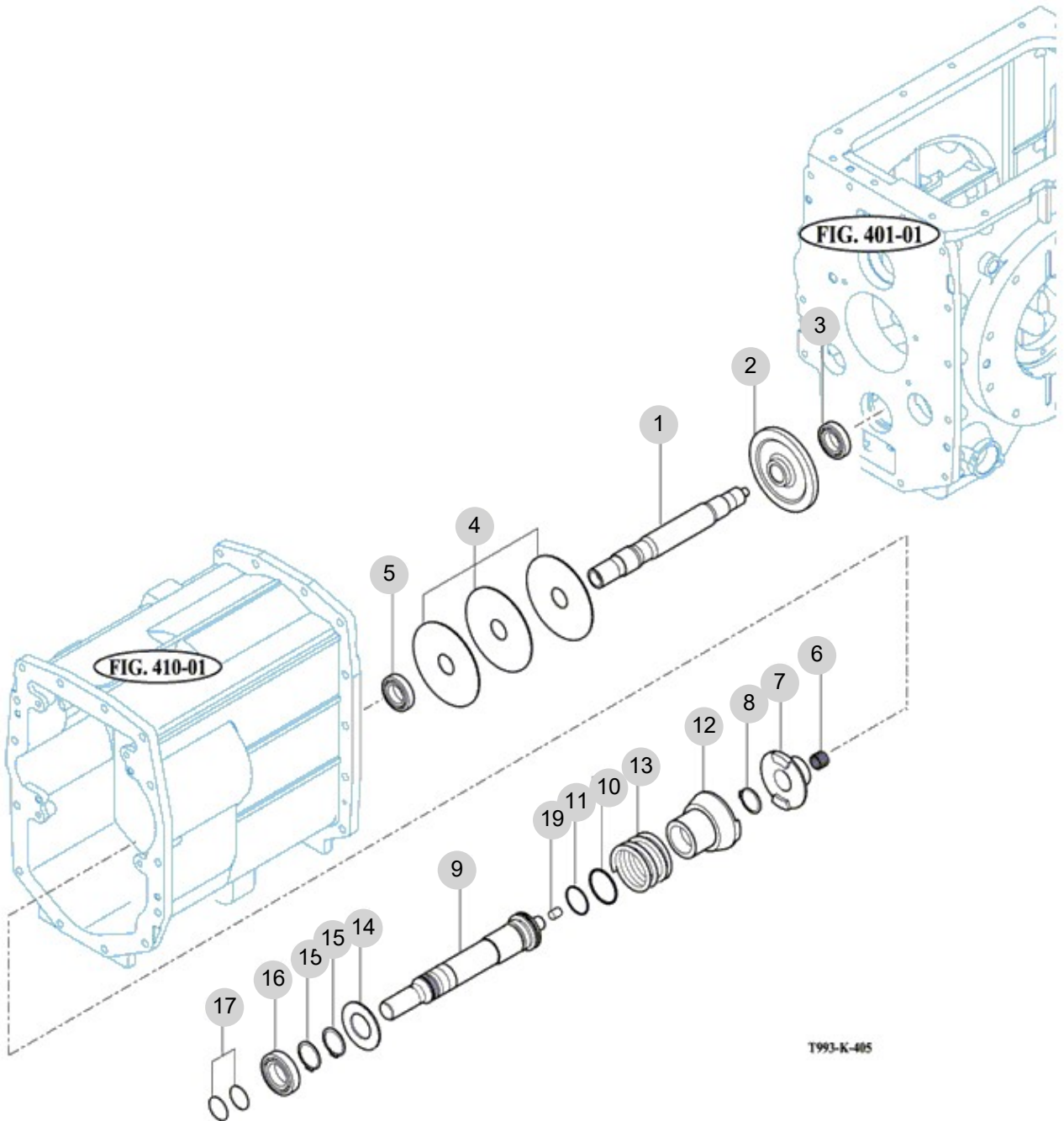
FIG 405

T1104SPEUA

4WD DRIVE GEARS

년/월
Year/Month

2022-12



NOTE

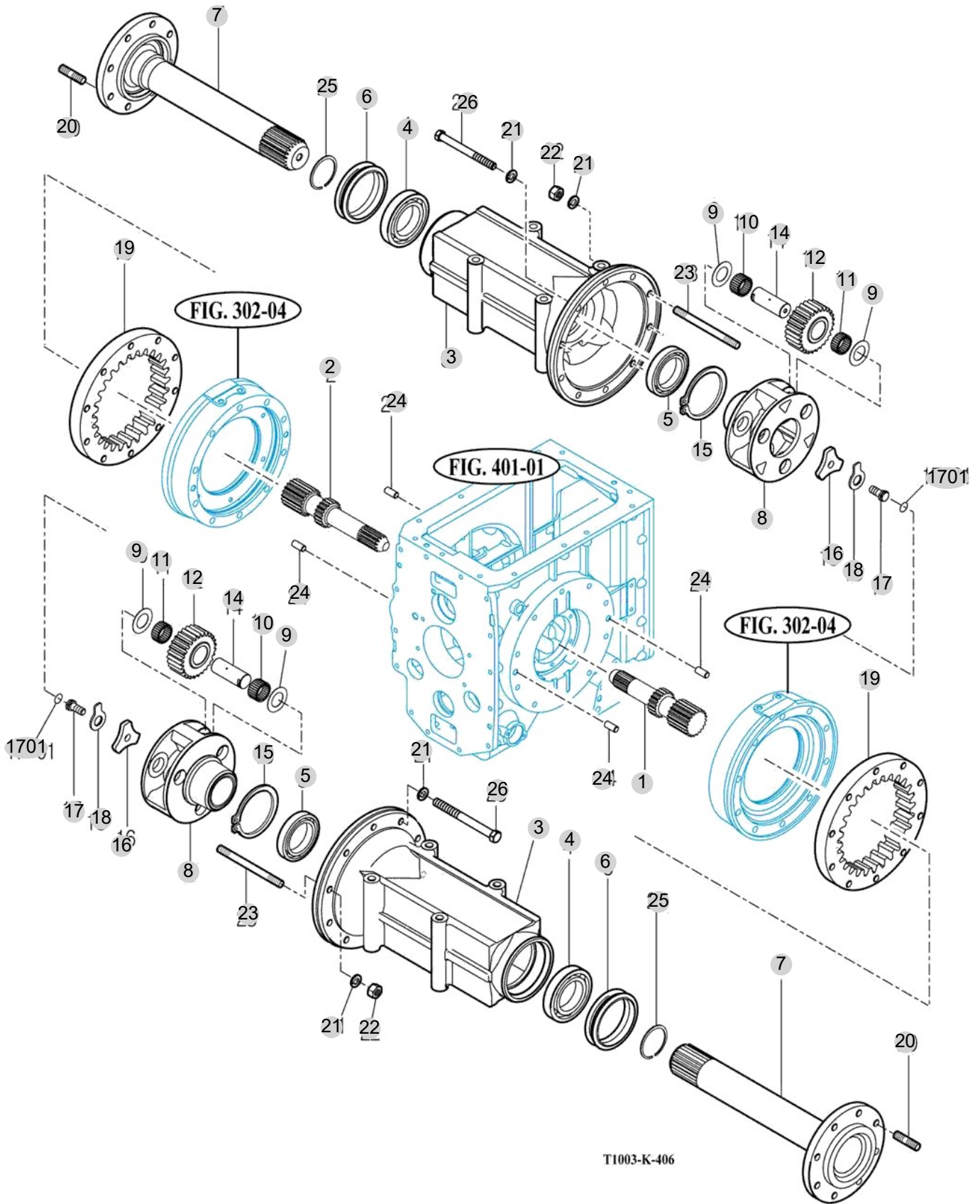
FIG 406

HOUSING, RR AXLE

년/월
Year/Month

T1104SPEUA

2022-12



NOTE

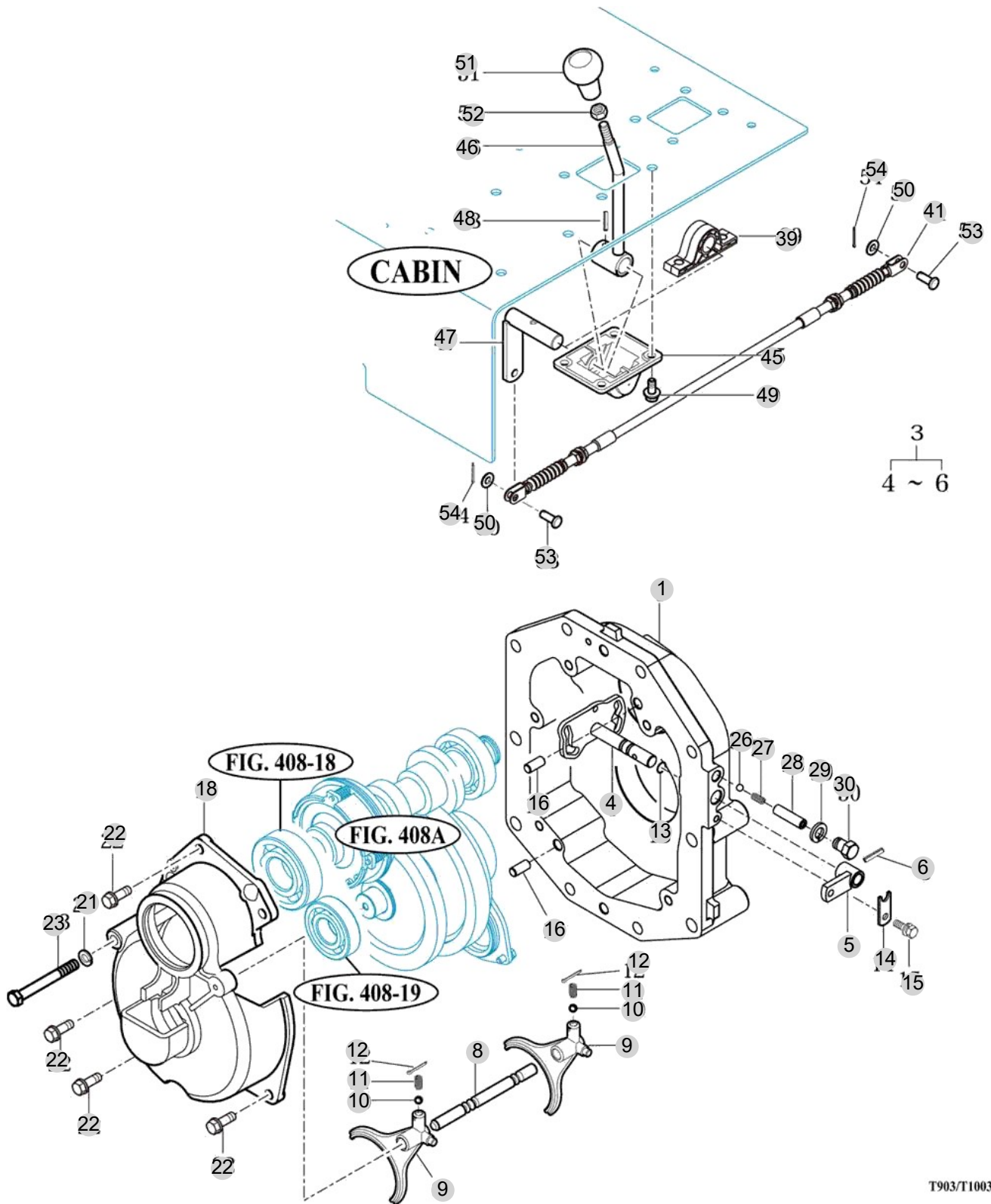
FIG 407

540,750,1000 PTO CASE

년/월
Year/Month

T1104SPEUA

2022-12



NOTE

FIG 407		540,750,1000 PTO CASE						년/월 Year/Month	
T1104SPEUA								2022-12	
KEY NO	PART NO	DESCRIPTION	SPEC	QTY	REPAIR	EFFECTIVE DATE	REMARKS		
407	1	18712600011M	CASE , PTO(540/750/1000)				1		
407	3	19022652005	ARMSET , PTO	1X1X1			1		
407	4	10012652100	SELECTOR COMP	1X1X1			1		
407	4	10012652101	SELECTOR COMP				1		
407	5	19022652203	ARM COMP	1X1X1			1		
407	6	V5801406028	PIN , SPRING	6X28			1		
407	8	19022650011	STAY , PTO SHIFT	1X1X1			1		
407	9	19022650021M	FORK , PTO SHIFT	1X1X1			2		
407	10	V6802000010	BALL , STEEL	5/16			2		
407	11	13022250030	SPRING , SHIFTER	D=1.4			2		
407	12	V5001930025	PIN , SPLIT	3X25			2		
407	13	V7201024012	O-RING , P	P12			1		
407	14	16702230371	PLATE	T=3			1		
407	15	V2173608016	BOLT , HEX/S	M8X16			1		
407	16	V5201012025	PIN , PARALLEL/A	12X25			2		
407	18	19022600022M	METAL , PTO	1X1X1			1		
407	21	V4011600120	WASHER , SPRING	M12			1		
407	22	V2173612035	BOLT , HEX/S	M12X35			4		
407	23	V2003612110	BOLT , HEX	M12X110			1		
407	26	V6802000010	BALL , STEEL	5/16			1		
407	27	13022250030	SPRING , SHIFTER	D=1.4			1		
407	28	10012650010	스프링시트	D=12			1		
407	29	V4011600140	WASHER , SPRING	M14			1		
407	30	V2013614020	BOLT , HEX	M14X20			1		
407	39	19027532020	BRACKET, SUPPORT	1X1X1			1		
407	41	19027534100	CABLE ASSY, PTO	1X1X1			1		
407	43	V3042600120	NUT , HEX/2	M12			1		
407	45	19027532011	BRACKET , PTO LEVER	1X1X1			1		
407	46	19027532203GB	LEVER COMP , PTO	1X1X1			1		
407	47	19027532302	ARM COMP	1X1X1			1		
407	48	V5801406025	PIN , SPRING	6X25			1		
407	49	V2183608020	BOLT , HEX/SP	M8X20			6		
407	50	V4111600100	WASHER , PLAIN	M10			2		
407	51	19682190100	GRIP , PTO				1		
407	51	16992190102	GRIP , PTO				1		
407	51	19682190100	GRIP , PTO				1		
407	52	19027010010	NUT , HEX FINE/2	M10			1		
407	53	14723280030	PIN ,10X30	D=10			2		
407	54	V5001920020	PIN , SPLIT	2X20			2		
NOTE									

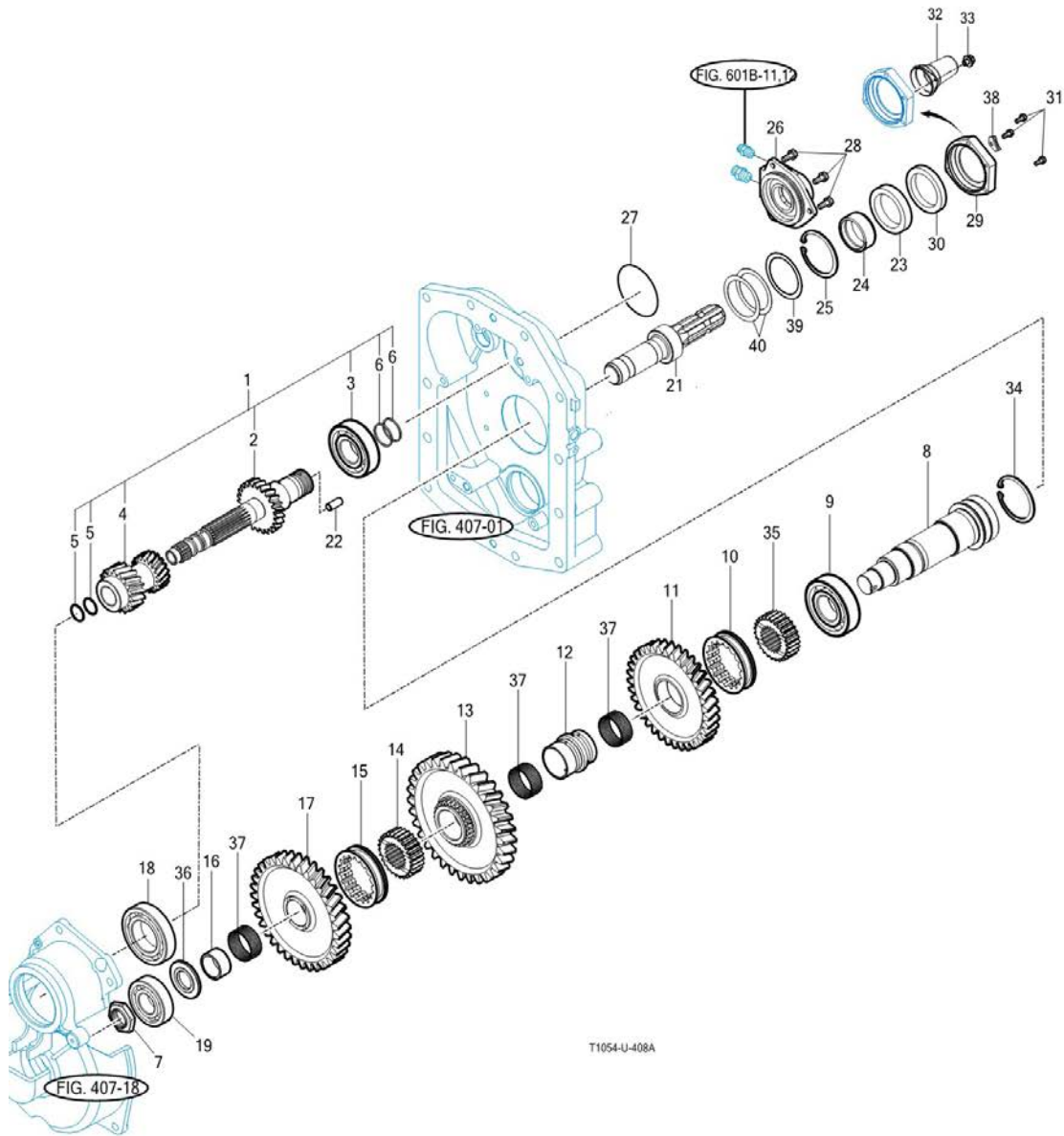
FIG 408

T1104SPEUA

SHAFT, PTO

년/월
Year/Month

2022-12



NOTE

FIG 408		SHAFT, PTO					년/월 Year/Month		
							2022-12		
T1104SPEUA		KEY NO	PART NO	DESCRIPTION	SPEC	QTY	REPAIR	EFFECTIVE DATE	REMARKS
408	1	19022615100	GEAR SUB , HELICAL 22T	1X1X1	1				
408	2	19022610011	HELICAL , 22T	1X1X1	1				
408	3	V6001106308	BEARING , BALL	6308	1				
408	4	19022610021	GEAR , HELICAL 18-14T	1X1X1	1				
408	5	V7201035025	O RING .P	P25	2				
408	6	19022120050	SEAL , 40	6.7X7.3X20.4	2				
408	7	14573020041	NUT , M30 P1.5	B=46	1				
408	8	18712630011	SHAFT , PTO(3)		1				
408	9	V6001106211	BEARING , BALL	6211	1				
408	10	19022630111	COUPLING , SLIDE 80		2				
408	11	18712630081	GEAR , HELICAL 49T		1				
408	12	18712630070	BUSH , 50X56X66		1				
408	13	18712630020	GEAR , HELICAL 57T		1				
408	14	18712630030	HUB , 47X80X22		1				
408	15	19022630111	COUPLING , SLIDE 80		1				
408	16	18712630040	BUSH , 45X55X28		1				
408	17	18712630050	GEAR , HELICAL 53T		1				
408	18	V6041106211	BEARING , BALL/HL1	6211HL1	1				
408	19	V6001106307	BEARING , BALL	6307	1				
408	21	18712630061	SHAFT , PTO 540/1000	D=45	1				
408	22	19022123110	AVSEAL(6)	Φ6	1				
408	23	18712600072	SEAL, PTO		1				
408	23	18712600071	SEAL , PTO		1				
408	24	19402630140	SLEEVE , PTO SHAFT/75		1				
408	24	18712630140	SLEEVE , PTO SHAFT/75		1				
408	25	V7051400500	C-RING , HOLE	R50	1				
408	26	19022600032M	COVER , DRIVE SHAFT	1X1X1	1				
408	27	V7211031085	O RING	1A, G85	1				
408	28	V2173608020	BOLT , HEX/S	M8X20	3				
408	29	19402600040M	COVER , PTO SHAFT		1				
408	29	18712600040	COVER , OIL SEAL		1				
408	30	19402605210	SEAL, PTO		1				
408	31	V2173608035	BOLT , HEX/S	M8X20	3				
408	31	V2173608020	BOLT , HEX/S	M8X20	3				
408	32	18712600080	CAP , PTO SHAFT		1				
408	33	V2183608012	BOLT , HEX/SP	M8X12	1				
408	34	V7051401000	C-RING , HOLE	100	1				
408	35	18712630090	HUB , 52X80X22		1				
408	36	18712630120	COLLAR , 37X72X7		1				
408	37	V6544556027	BEARING , NEEDLE CAGED	KT556027	3				
408	38	18712600090	PLATE , GUIDE		1				
408	39	15892600060	SIM, 79X99X0.3		1				
408	40	15892600070	SIM, 79X99X0.2		2				
NOTE									

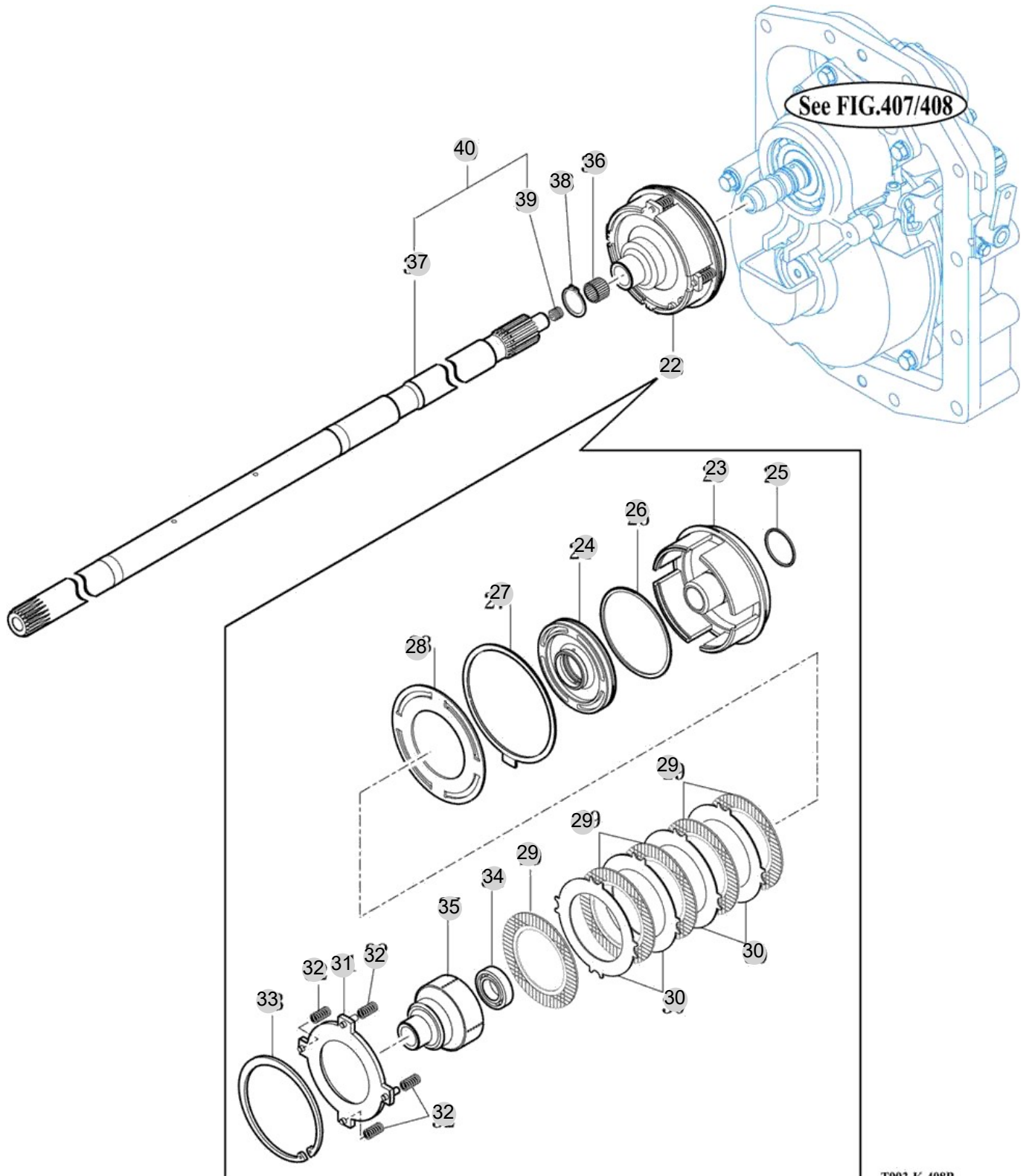
FIG 408-2

PTO CLUTCH ASSY

년/월
Year/Month

2022-12

T1104SPEUA



T993-K-408B

NOTE

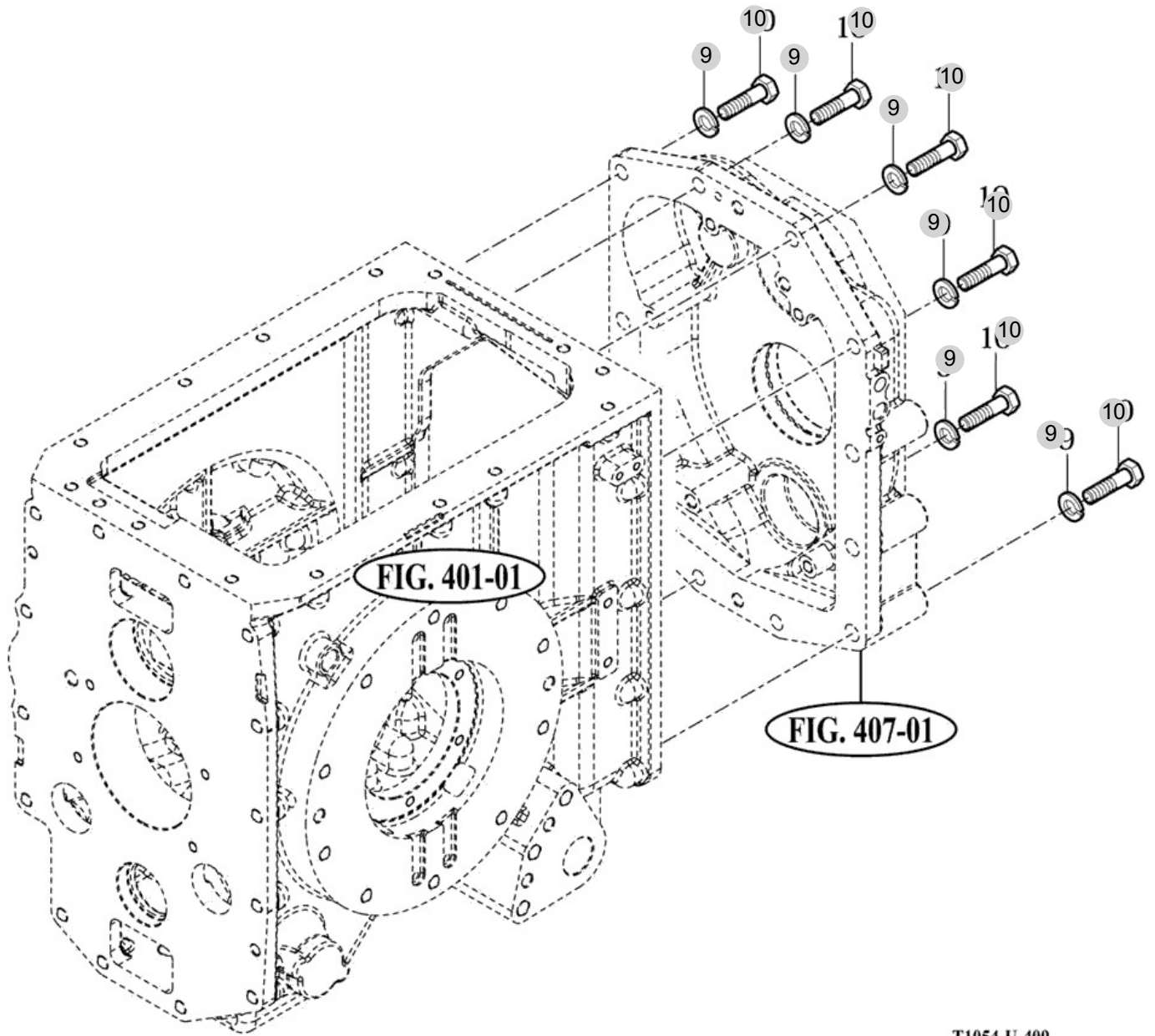
FIG 409

METAL SUB ASSY

년/월
Year/Month

T1104SPEUA

2022-12



T1054-U-409

NOTE

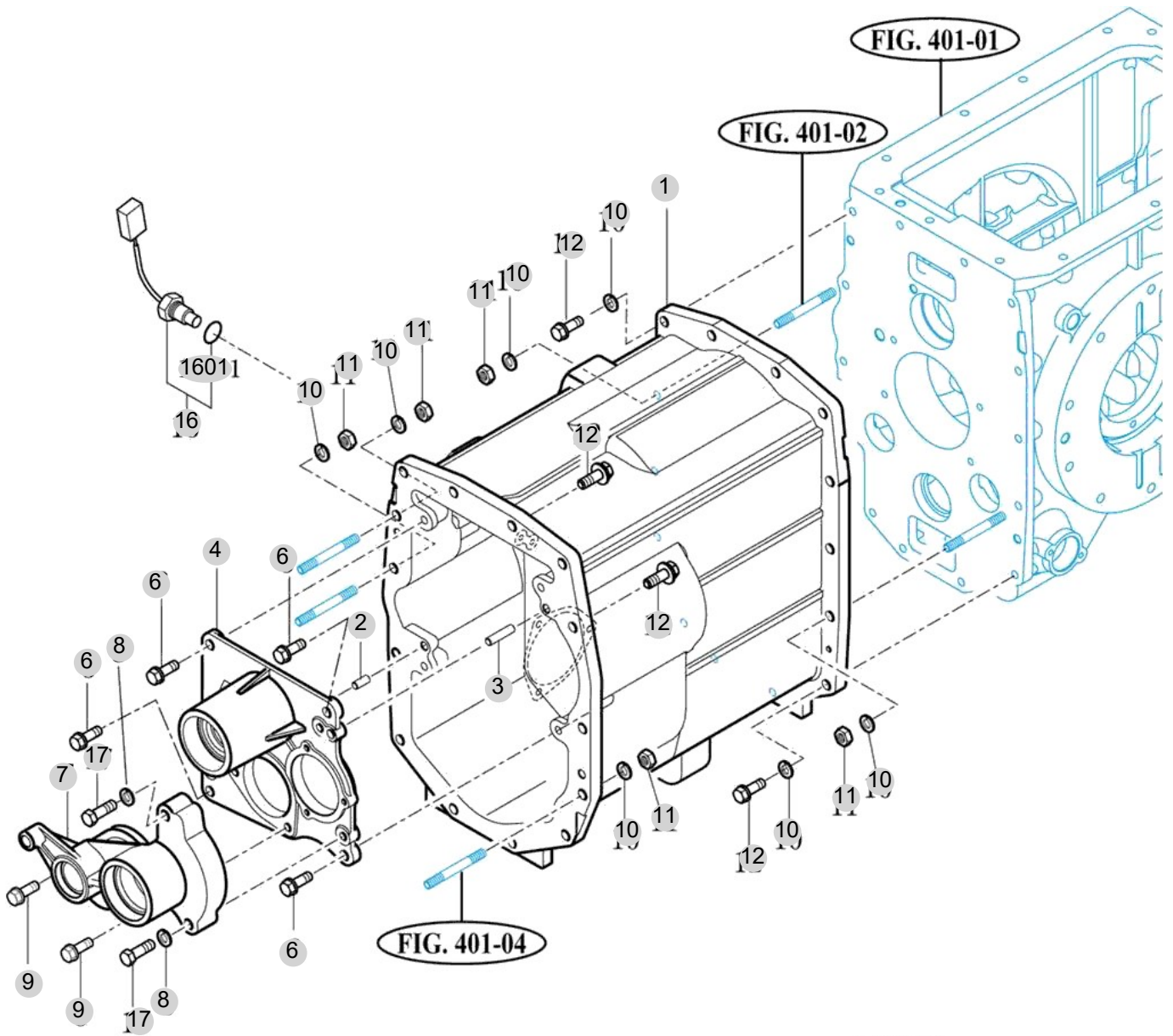
FIG 410

T1104SPEUA

CASE, MID TRANSMISSION

년/월
Year/Month

2022-12



T993-K-410

NOTE

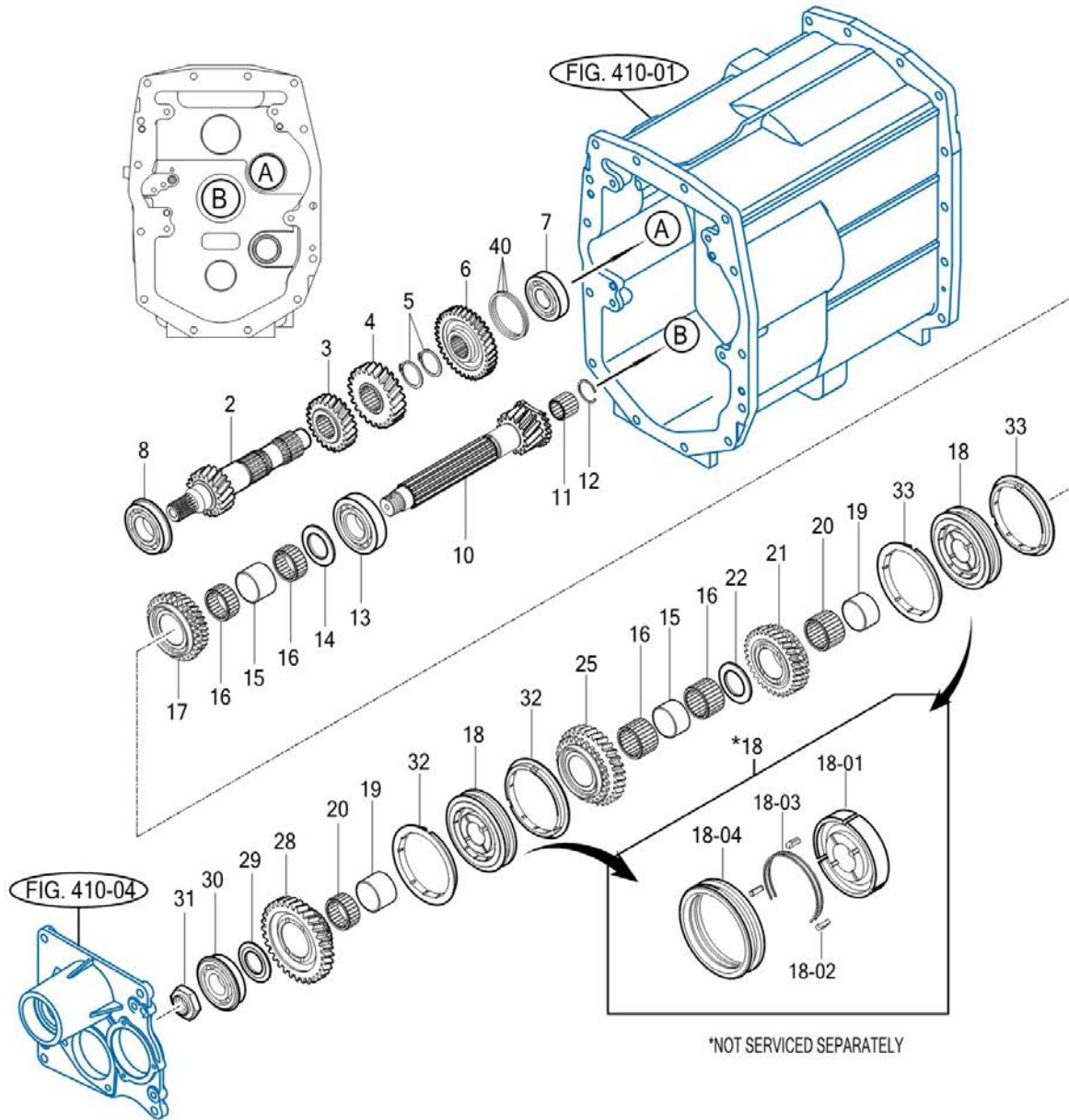
FIG 411

T1104SPEUA

MAIN CHANGE GEARS

년/월
Year/Month

2022-12



*NOT SERVICED SEPARATELY

T993-K-411

NOTE

FIG 411 T1104SPEUA		MAIN CHANGE GEARS						년/월 Year/Month	
								2022-12	
KEY NO	PART NO	DESCRIPTION	SPEC	QTY	REPAIR	EFFECTIVE DATE	REMARKS		
411	2	18712210010	GEAR , HELICAL 23T			1			
411	3	18712210020	GEAR , HELICAL 19T			1			
411	4	18712210030	GEAR , HELICAL 32T			1			
411	5	V7041400400	C-RING , SHAFT	40		2			
411	6	18712210040	GEAR , HELICAL 28T			1			
411	7	V6041106306	BEARING , BALL/HL1	6306HL1		1			
411	8	V6041606208	BEARING , BALL/HL/1	6208HL1N		1			
411	10	18712220010	GEAR , HELICAL14T			1			
411	11	V6544253530	BEARING , NEEDLE CAGED-K253530H	K253530H		1			
411	12	19022220021	C-RING , UNIFORM SECTION	35		1			
411	13	V6261100308	BEARING , CYLINDER-ROLLER NUP	NUP308		1			
411	14	18712220030	WASHER , 40X64X4	D=65		1			
411	14	18712220031	WASHER , 40X64X4			1			
411	15	19022220041	BUSH , 40X50X37	1X1X1		2			
411	16	V6544455218	BEARING , NEEDLE CAGED	KT455218		4			
411	17	18712220071	GEAR , HELICAL 33T			1			
411	17	18712220072	GEAR , HELICAL 33T			1			
411	18	18022242100	HUB ASSY , SYNCHRO			2			
411	1801	19022222110	HUB , SYNCHRO	1X1X1		2			
411	1802	19022222120	INSERT , SYNCHRO	1X1X1		6			
411	1803	19022222130	SPRING , SYNCHRO	1X1X1		4			
411	1804	18022242110	SLEEVE , SYNCHRO			2			
411	19	19022220061	BUSH , 40X50X31	1X1X1		2			
411	20	V6544455330	BEARING , NEEDLE CAGED-K455330H	KT455330		2			
411	21	18712220051	GEAR , HELICAL 29T			1			
411	21	18712220052	GEAR , HELICAL 29T			1			
411	22	18712220080	WASHER , 37X40X4			1			
411	22	18712220081	WASHER , 37X40X4			1			
411	25	18712220111	GEAR , HELICAL 42T			1			
411	25	18712220112	GEAR , HELICAL 42T			1			
411	28	18712220091	GEAR , HELICAL 38T			1			
411	28	18712220092	GEAR , HELICAL 38T			1			
411	29	18712220120	WASHER , 35X64X6.5			1			
411	29	18712220121	WASHER , 35X64X6.5			1			
411	30	V6041606307	BEARING , BALL/HL/1/N	6307HL1N		1			
411	31	14573020041	NUT , M30 P1.5	B=46		1			
411	32	18022242201	RING ASSY , SYNCHRO			2			
411	33	19022222141	BLOCKRING , SYNCHRO			2			
411	40	19022120910	SHIM 0.2			3			
NOTE									

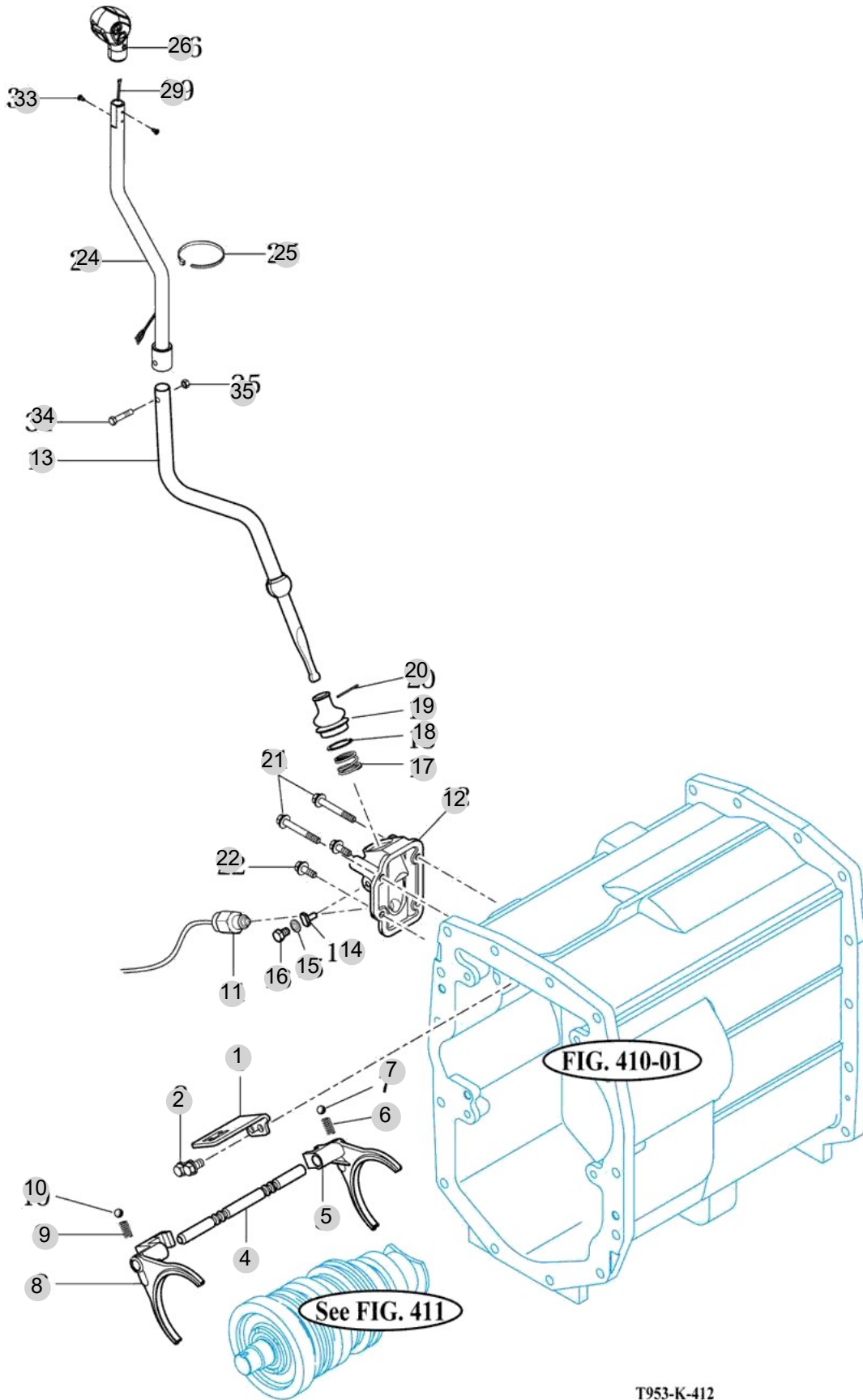
FIG 412

MAIN CHANGE LEVER

년/월
Year/Month

T1104SPEUA

2022-12



T953-K-412

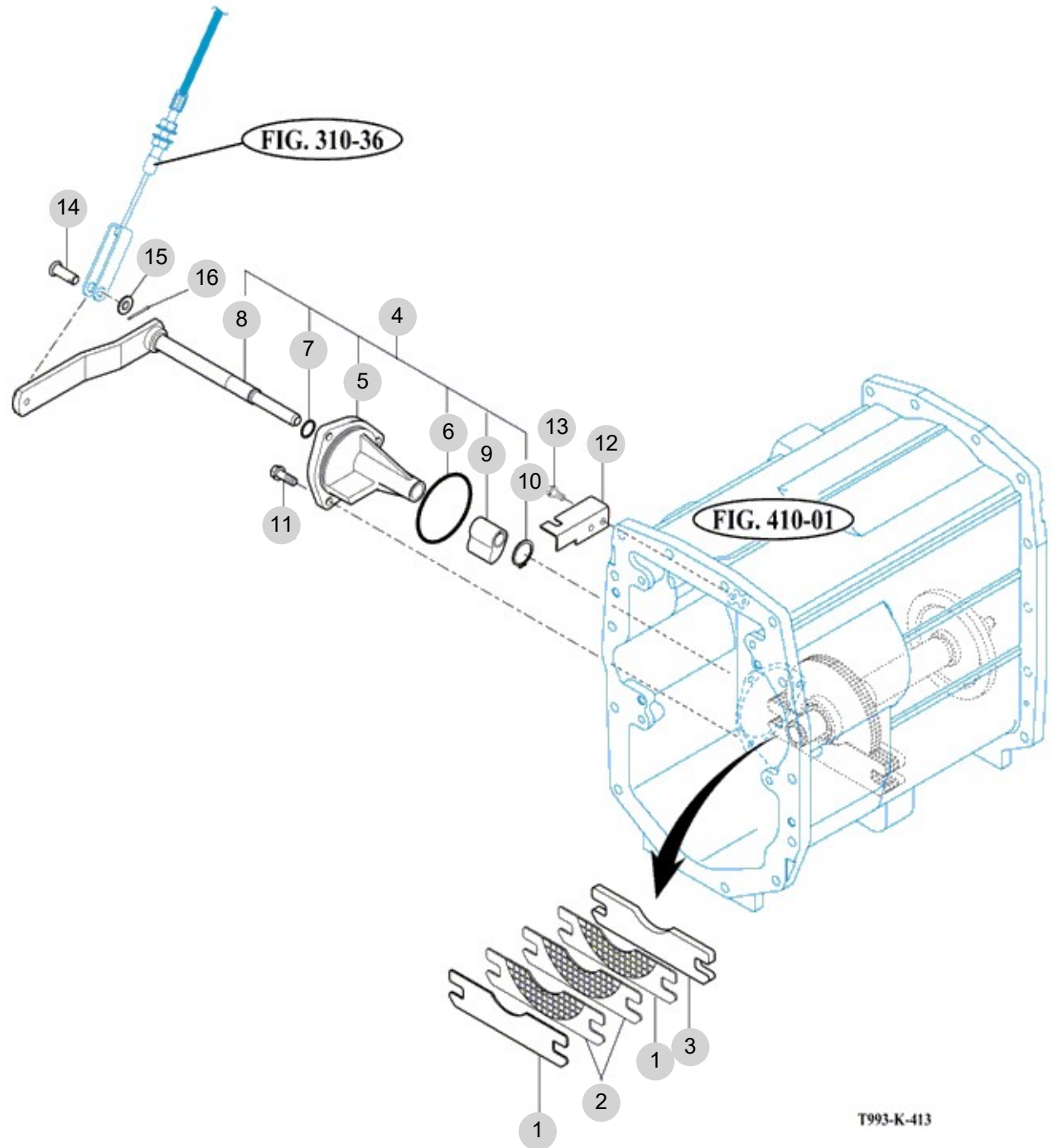
NOTE

FIG 413

PARKING BRAKE

년/월
Year/Month

2022-12



NOTE

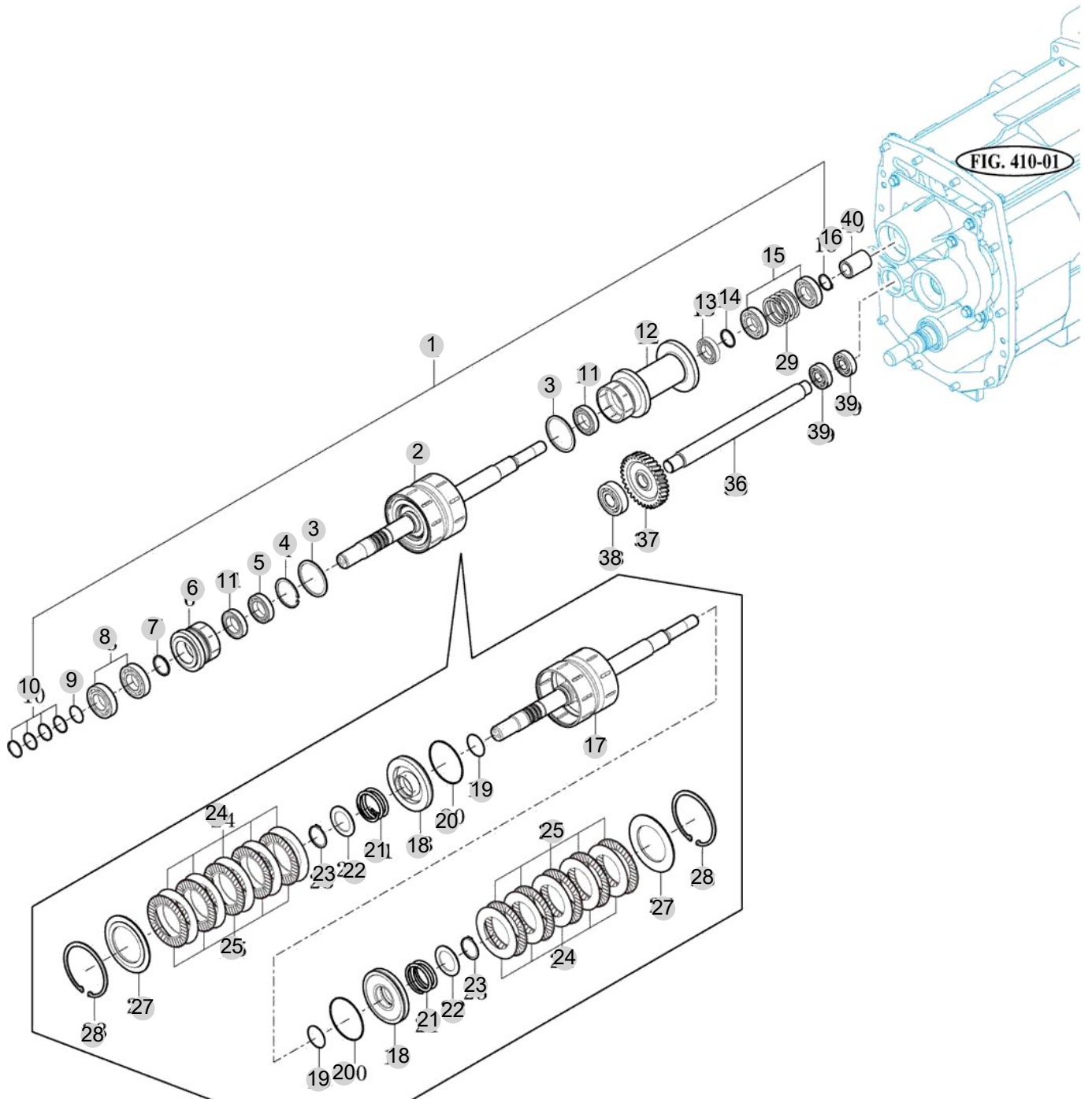
FIG 414

POWER SHUTTLE GEAR

년/월
Year/Month

T1104SPEUA

2022-12



NOTE

FIG 414		POWER SHUTTLE GEAR					년/월 Year/Month		
							2022-12		
T1104SPEUA		KEY NO	PART NO	DESCRIPTION	SPEC	QTY	REPAIR	EFFECTIVE DATE	REMARKS
414	1	18712125004	SHAFT ASSY , POWER SHUTTLE			1			
414	1	18712125003	SHAFT ASSY , POWER SHUTTLE			1			
414	2	18712125103	SHAFT SUB , POWER SHUTTLE			1			
414	2	18712125104	SHAFT SUB , POWER SHUTTLE			1			
414	3	18712122080	RING , SEAL80			2			
414	4	V7051400680	C-RING , HOLE	68		1			
414	5	V6001106008	BEARING , BALL	6008		2			
414	6	18712122090	GEAR , HELICAL 29T			1			
414	7	18712122110	COLLER , 41X48X4			1			
414	8	V6001106208	BEARING , BALL	6208		2			
414	9	V7231015038	O-RING , S	D=38		1			
414	10	19022120050	SEAL , 40	6.7X7.3X20.4		4			
414	11	V6001406008	BEARING , BALL	6008D		2			
414	12	18712122400	GEAR COMP , HELICAL 34-37T			1			
414	13	V6001106007	BEARING , BALL	6007		1			
414	14	19022120041	SPACER , 36X43X03	32A		1			
414	15	V6001106207	BEARING , BALL	6207		2			
414	16	V7041400350	C-RING , SHAFT	35		1			
414	17	18712122201	SHAFT COMP , POWER SHUTTLE			1			
414	18	18712122011M	PISTON			2			
414	18	18712122012M	PISTON			2			
414	19	18712122120	O-RING , P			2			
414	20	18712122021	D-RING , 125			2			
414	21	18712122030	SPRING , RETURN			2			
414	22	19022122120	WASHER , 50X74X3	T=3.0		2			
414	23	V7041400500	C-RING , SHAFT	50		2			
414	24	18712122041	PLATE , SEPARATE(WAVE)			10			
414	25	18712122500	PLATE COMP , DISC			10			
414	27	18712122060	PLATE , PRESSURE			2			
414	28	V7051401400	C-RING , HOLE	140		2			
414	29	19022120910	SHIM 0.2	T=0.2		4			
414	36	19022130012	SHAFT , REVERSE IDLE	D=30		1			
414	37	19022130021	GEAR , HELICAL 32T			1			
414	38	V6041106305	BEARING , BALL/HL1	6305HL1		1			
414	39	V6001106005	BEARING , BALL	6005		2			
414	40	19022600060	COUPLING , 35X50	D=35		1			
NOTE									

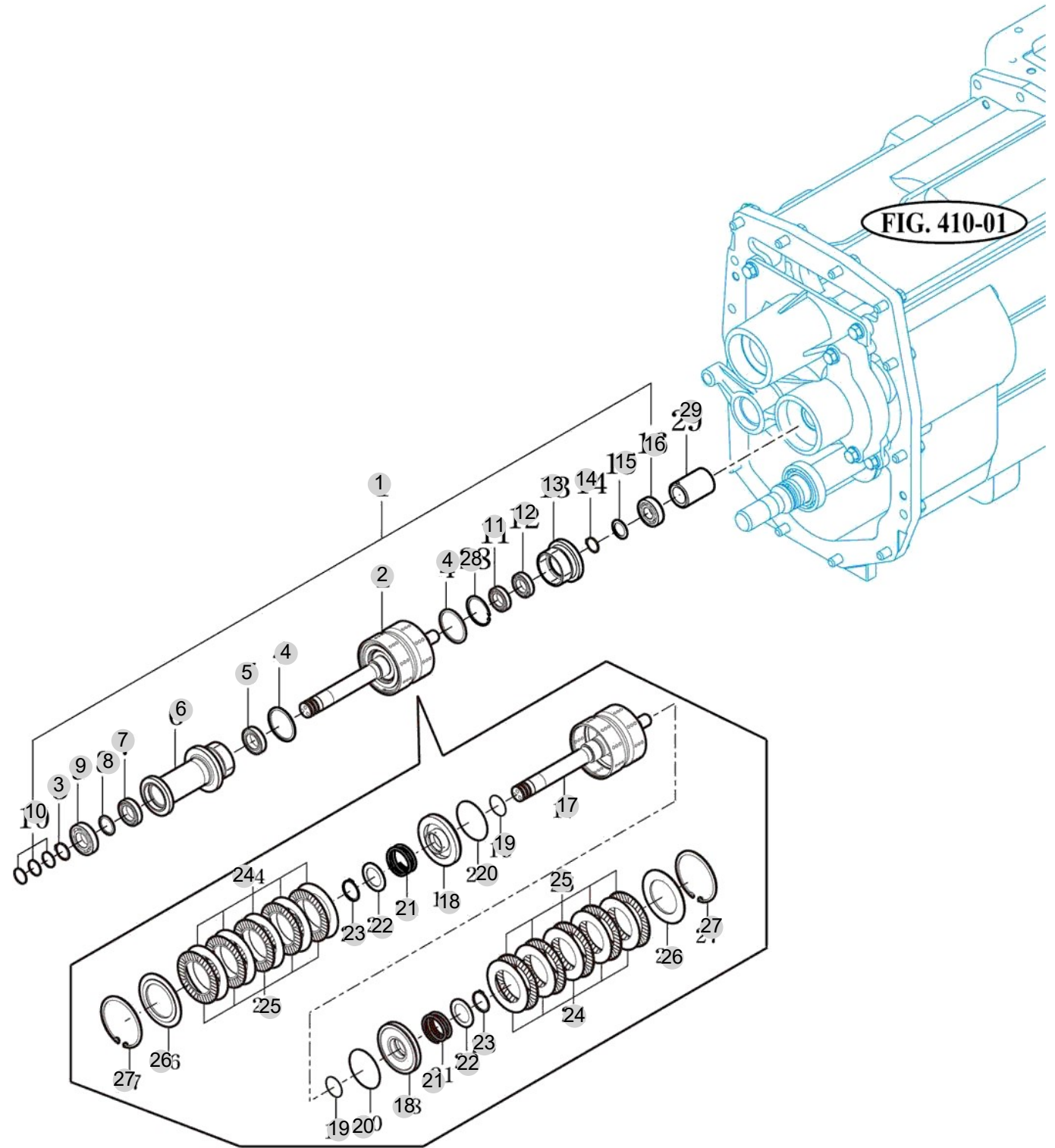
FIG 415

POWER SHIFT GEAR

년/월
Year/Month

2022-12

T1104SPEUA



NOTE

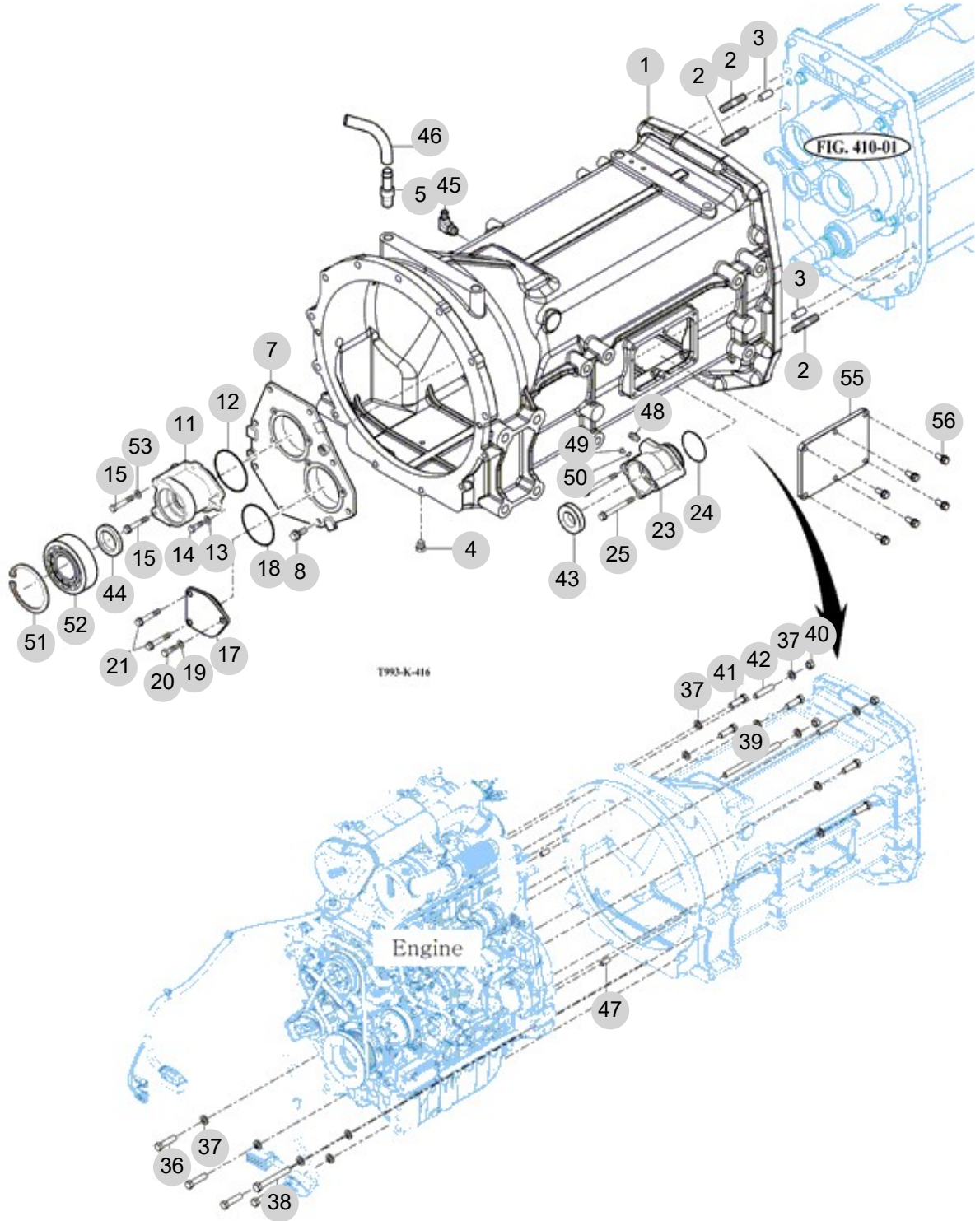
FIG 416

CASE, FR TRANSMISSION

년/월
Year/Month

T1104SPEUA

2022-12



NOTE

FIG 416 T1104SPEUA		CASE, FR TRANSMISSION					년/월 Year/Month	
							2022-12	
KEY NO	PART NO	DESCRIPTION	SPEC	QTY	REPAIR	EFFECTIVE DATE	REMARKS	
416	1	18712100011M	CASE , FR TRANSMISSION		1			
416	2	V2514414040	BOLT , STUD/2	M12X40	3			
416	3	V5201010022	PIN , PARALLEL/A	10X22(A)	2			
416	4	13267060022	PLUG , DRAIN	HEX,B=12	1			
416	5	16992011110	CONNECTOR		1			
416	7	19022100033M	METAL , INPUT		1			
416	8	16604610020	BOLT , SEAL	M10X25	8			
416	8	V2173610025	BOLT , HEX/S		8			
416	11	19022121100	COVER ASSY, SHUTTLE		1			
416	12	V7231020075	O-RING , S	S75	1			
416	13	V4011600080	WASHER , SPRING	M8	1			
416	14	14151210090	BOLT , REAMER		1			
416	15	V2013608095	BOLT , HEX	M8X95	2			
416	17	19022161100	COVER ASSY, POWER SHIFT		1			
416	18	V7231020075	O-RING , S	S75	1			
416	19	V4011600080	WASHER , SPRING	M8	1			
416	20	14151210090	BOLT , REAMER		1			
416	21	V2173608050	BOLT . HEX/S	M8X50	2			
416	23	19022280111M	COVER , 4WD		1			
416	24	V7211031055	O-RING , G	1A, G55	1			
416	25	V2173608085	BOLT , HEX/S	M8X85	2			
416	36	V2014612050	BOLT , HEX	M12X50	4			
416	37	V4011600120	WASHER , SPRING	M12	13			
416	38	V2004612100	BOLT , HEX	M12X100	1			
416	39	18711121600	STUD BOLT 2(M12X160)	M12X160	1			
416	40	V3043600120	NUT , HEX/2	M12	3			
416	41	18711120400	BOLT(M12X40XP1.5)	M12X40	5			
416	42	18711120410	STUD BOLT(M12X40)	M12X40	2			
416	43	V7441305512	SEAL , OIL/D		1			
416	44	19022120900	SEAL , OIL		1			
416	45	19027562081	ADAPTER (BRAKE/RETURN)		1			
416	46	15134080020	HOSE , OIL		1			
416	47	V5201010022	PIN , PARALLEL/A	10X22	2			
416	48	19025162400	UNION(PF1/4-M16)		1			
416	49	76500800100	PLUG , HEX		1			
416	50	V7201024011	O-RING , P		1			
416	51	V7051400680	C-RING , HOLE		1			
416	52	V6001506008	BEARING , BALL		1			
416	53	V4011600080	WASHER , SPRING		1			
416	55	10012100021	PLATE , 168X118		1			
416	56	V2173608020	BOLT , HEX/S	M8X20	6			
416	57	V4111600080	WASHER , PLAIN	M8	2			
NOTE								

5. Front Axle PART NO. T5

FIG 501 FRONT AXLE SUPPORTER	177
FIG 502 FRONT DRIVE SHAFT	180
FIG 503 FRONT AXLE HOUSING	182
FIG 504 FRONT DIFFERENTIAL GEARS	184
FIG 505 FRONT GEAR CASE (1)	186
FIG 506 FRONT GEAR CASE (2)	188
FIG 507 FRONT GEAR CASE (3)	190
FIG 508 MUD GUARD ASSY	192

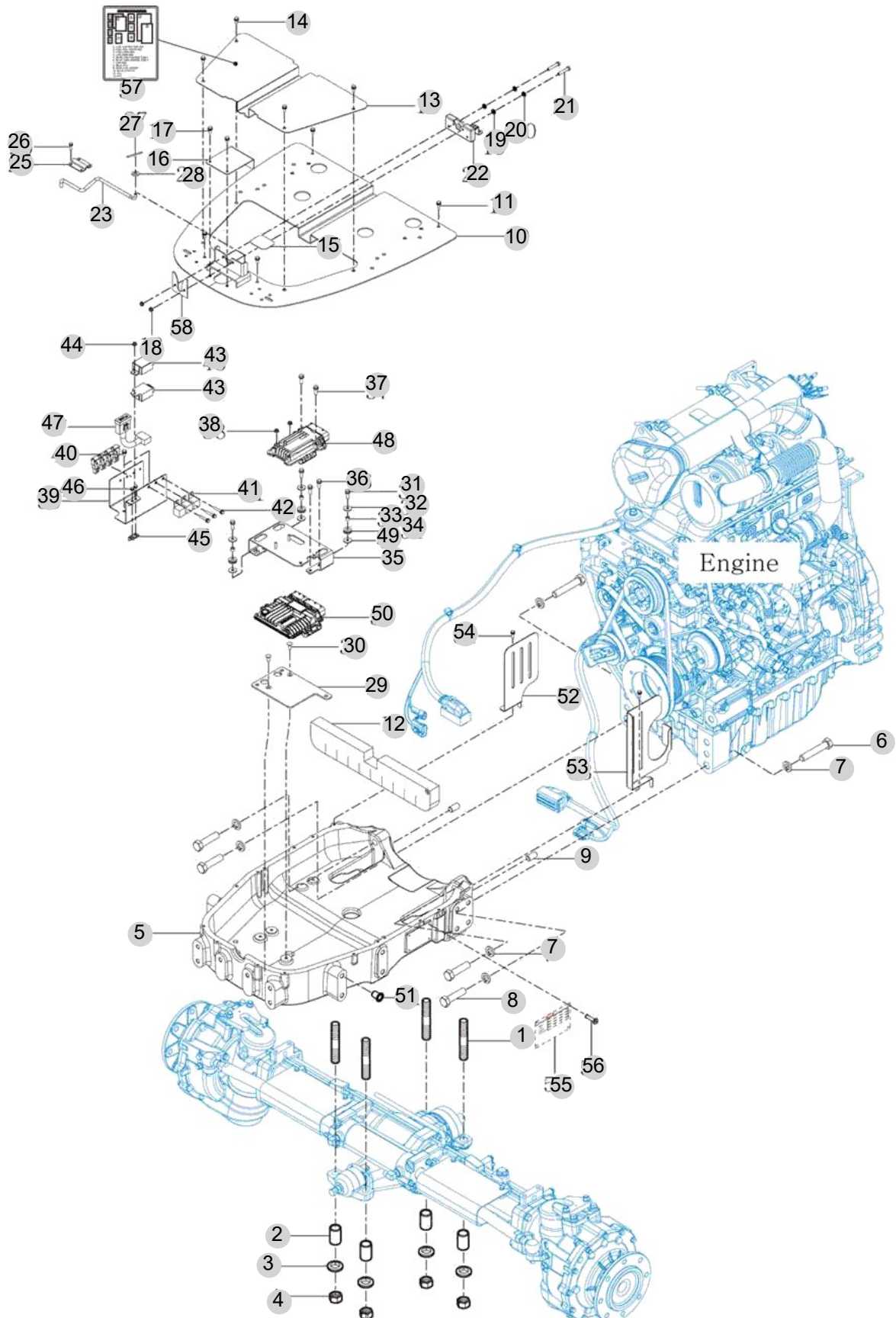
FIG 501

FRONT AXLE SUPPORTER

년/월
Year/Month

2022-12

T1104SPEUA



NOTE

FIG 501 T1104SPEUA		FRONT AXLE SUPPORTER					년/월 Year/Month	
							2022-12	
KEY NO	PART NO	DESCRIPTION	SPEC	QTY	REPAIR	EFFECTIVE DATE	REMARKS	
501	1	19023251870	BOLT , STUD			4		
501	2	S2155901000	BUSH , 18.5X24X35			4		
501	3	S2159903000	COLLAR , 19X35X6			4		
501	4	15189240180	NUT,M18xP2.5	1X1X1		4		
501	5	18711021101M	FRONT AXLE SUPPORT			1		
501	6	V2034620110	BOLT , HEX FINE	M20X105		2		
501	7	V4011600120	WASHER , SPRING	M12		6		
501	8	V2034620080	BOLT , HEX FINE	M20X80		4		
501	9	18711021200	PARALLEL PIN 18X35	18X35		2		
501	10	18901071100GB	PLATE COMP , GRILL			1		
501	11	V2183608020	BOLT , HEX/SP	M8X20		4		
501	12	18711030500	INSULATOR			1		
501	13	18711071200GB	COVER COMP , DCU RELAY			1		
501	13	19641071200GB	COVER COMP , / DCU RELAY			1		
501	14	V2183608020	BOLT , HEX/SP	M8X20		4		
501	15	13016400010	SEAL , BATTERY BRACKET	T=0.25		1		
501	16	18711071300GB	COVER , FR PTO HOLE			1		
501	17	V2123606016	BOLT , HEX /SP	M6X16		2		
501	18	V3802600060	NUT , HEX FLANGE	M6		2		
501	19	V4111600060	WASHER , PLAIN	M6		2		
501	20	V4011600060	WASHER , SPRING	M6		2		
501	21	V2053606040	BOLT , HEX C/R	M6X40		2		
501	22	17686020600	LOCK COMP . HOOD	1X1X1		1		
501	23	18726020010	PIN , HOOD LOCK(EU)			1		
501	25	18506020020GB	PLATE , PIN GUIDE			1		
501	26	V2113606016	BOLT , HEX /S	M6X16		4		
501	27	V5001920020	PIN , SPLIT	2X20		1		
501	28	V4111600060	WASHER , PLAIN	M6		1		
501	29	18711046600GB	BASE PLATE , ECU			1		
501	29	18711046601GB	PLATE COMP , ECU			1		
501	30	V1122808020	SCREW , C/R FLAT	M8X20		2		
501	31	V2173608025	BOLT , HEX/S	M8X25		3		
501	32	15991040050	COLLAR , 08X12X08	12X1.8		3		
501	33	35602010150	WASHER , BIND SHAFT	T=2.3		3		
501	34	14046210300	GROMMET			3		
501	35	18711071401GB	PLATE COMP , ECU			1		
501	36	V2123606025	BOLT , HEX /SP	M6X25		4		
501	37	V2123606025	BOLT , HEX /SP	M6X25		2		
501	38	V3802600060	NUT , HEX FLANGE	M6		2		
501	39	18711081101GB	PLATE COMP , FUSE			1		
501	39	19641612200GB	BRACKET COMP , FUSE BOX			1		
501	40	V2183608016	BOLT , HEX/SP	M8X16		2		
501	40	V2183608025	BOLT , HEX/SP			2		
501	41	17686641110	RELAY , PREHEAT	1X1X1		3		
501	42	V2123606012	BOLT , HEX /SP	M6X12		3		
NOTE								

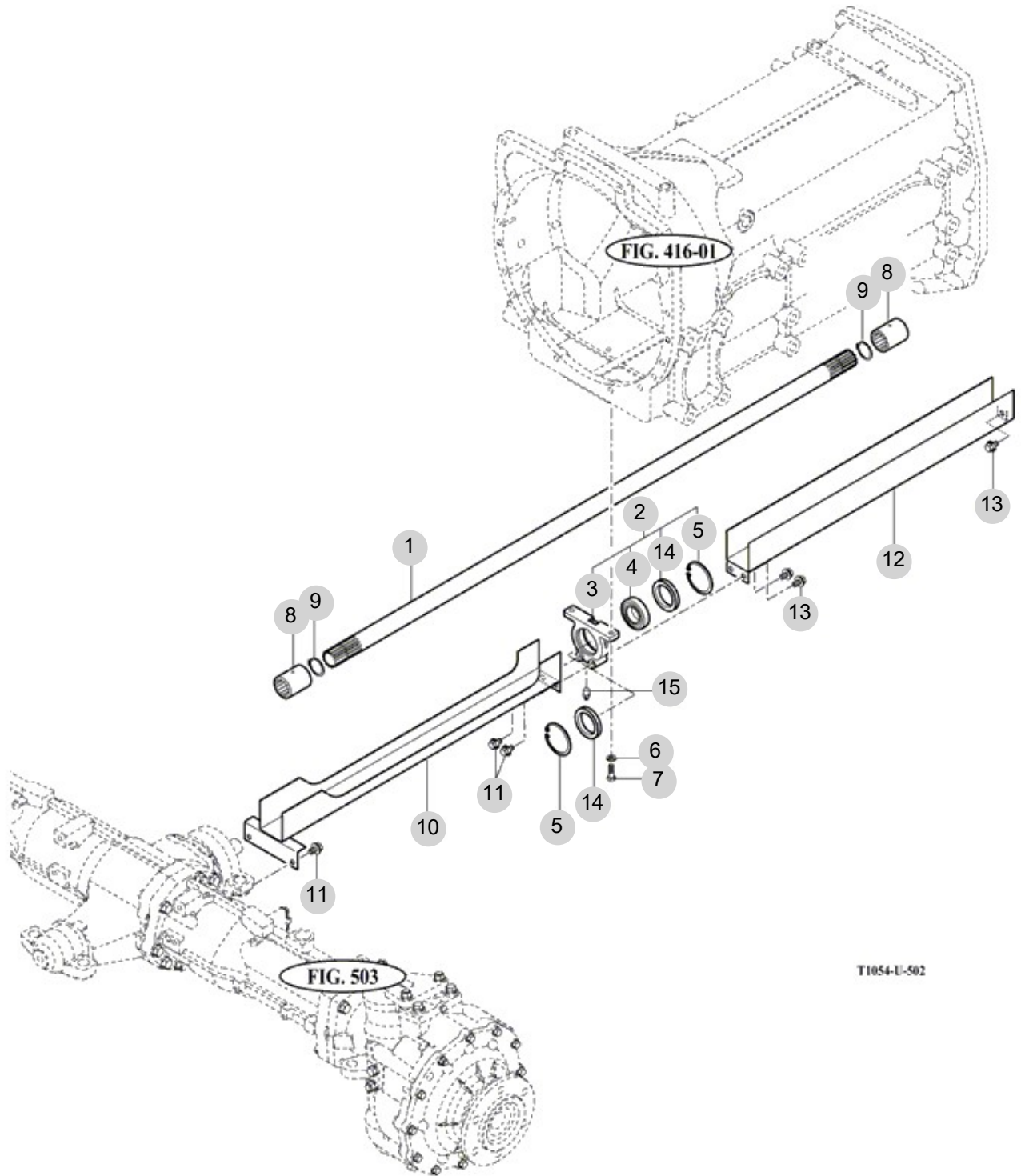
FIG 502

T1104SPEUA

FRONT DRIVE SHAFT

년/월
Year/Month

2022-12



NOTE

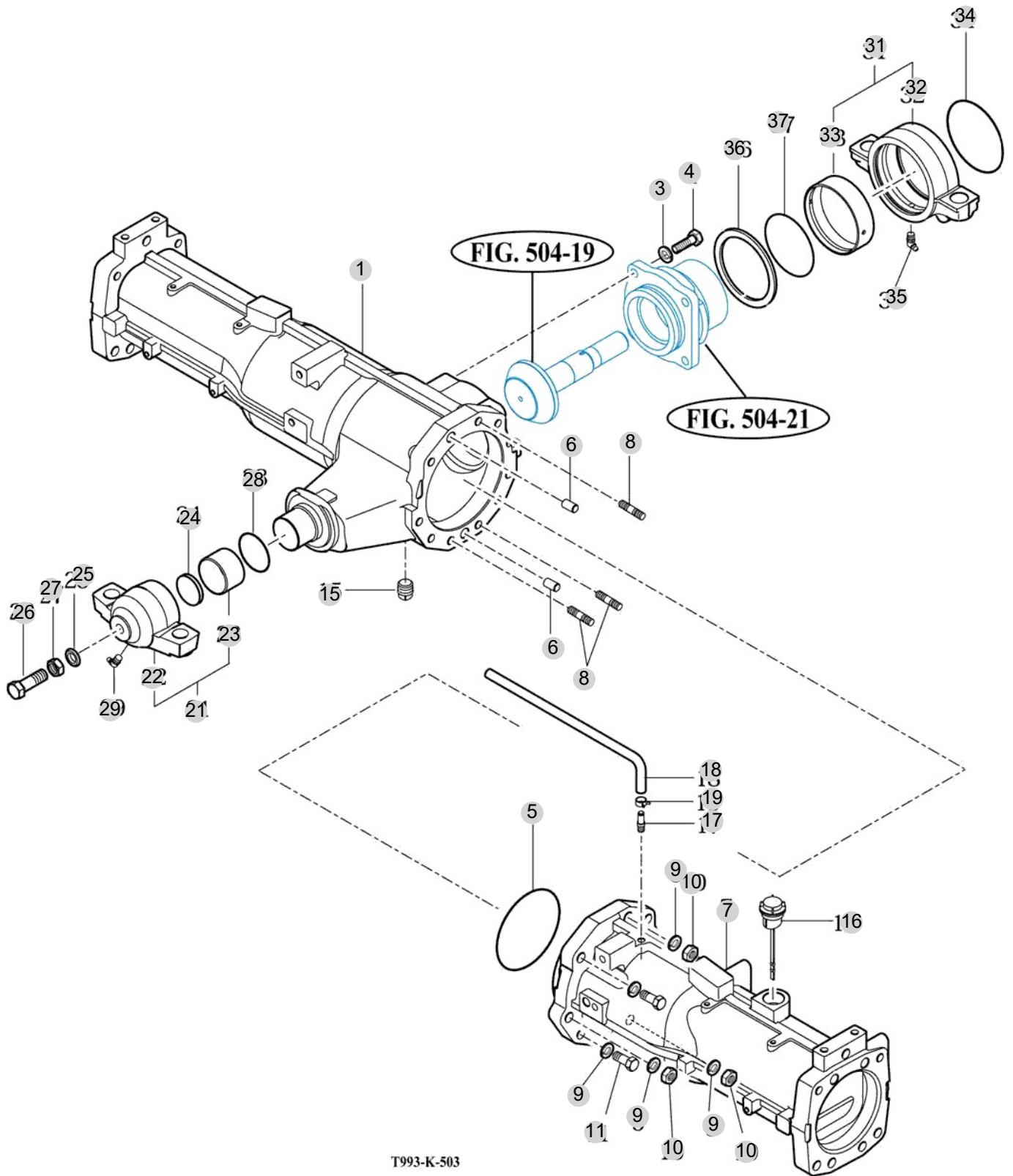
FIG 503

FRONT AXLE HOUSING

년/월
Year/Month

2022-12

T1104SPEUA



T993-K-503

NOTE

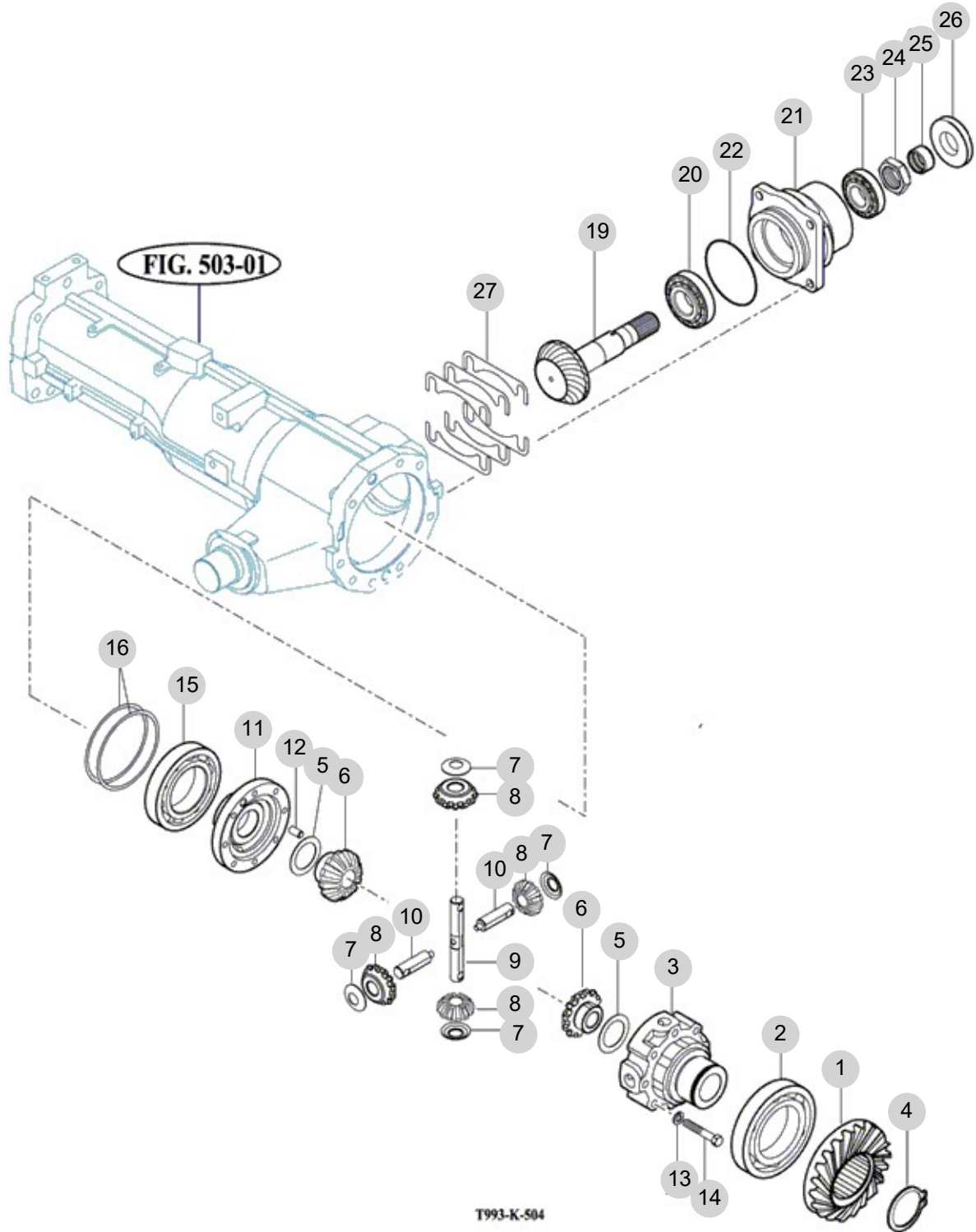
FIG 504

FRONT DIFFERENTIAL GEARS

년/월
Year/Month

T1104SPEUA

2022-12



T993-K-504

NOTE

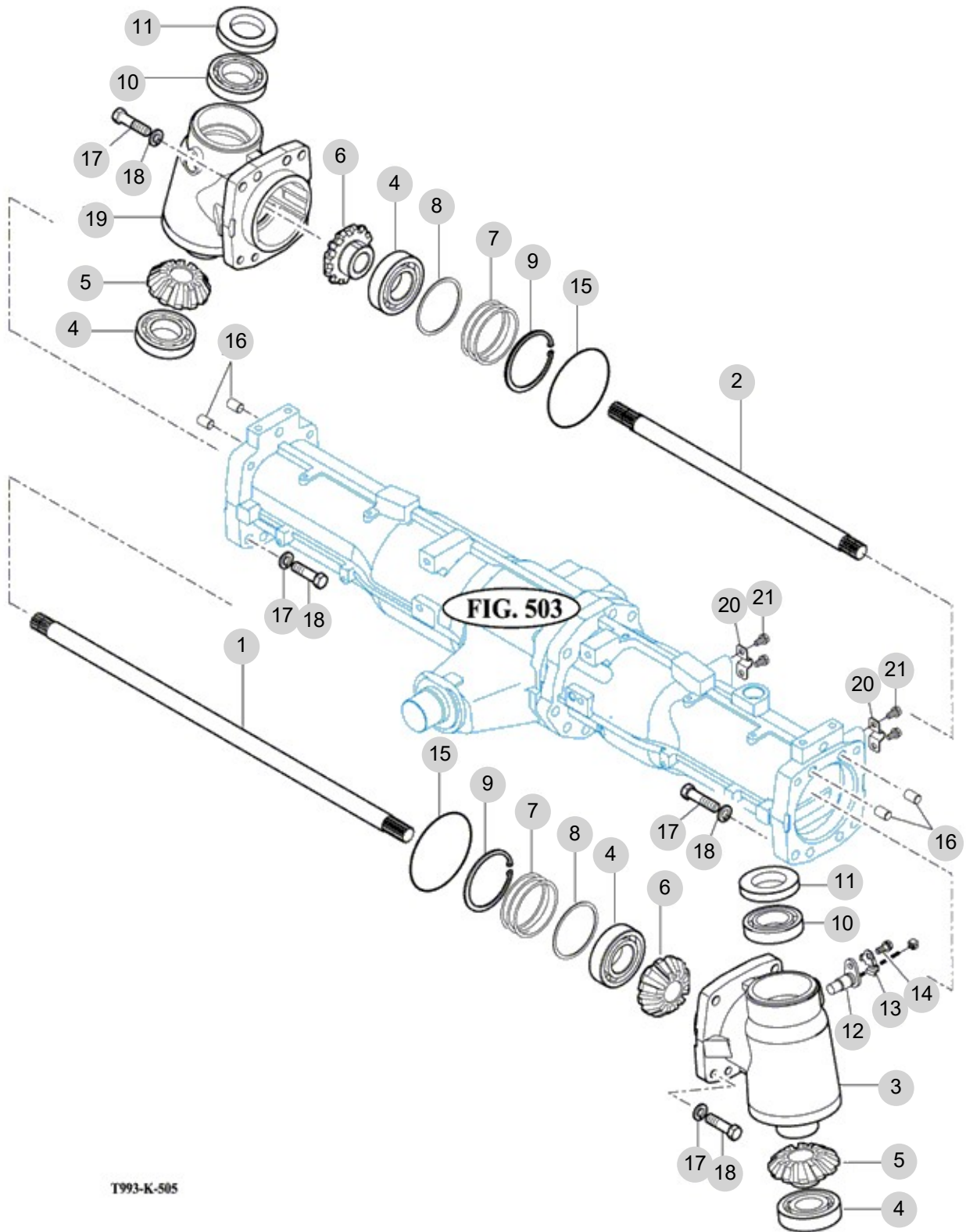
FIG 505

FRONT GEAR CASE (1)

년/월
Year/Month

2022-12

T1104SPEUA



T993-K-505

NOTE

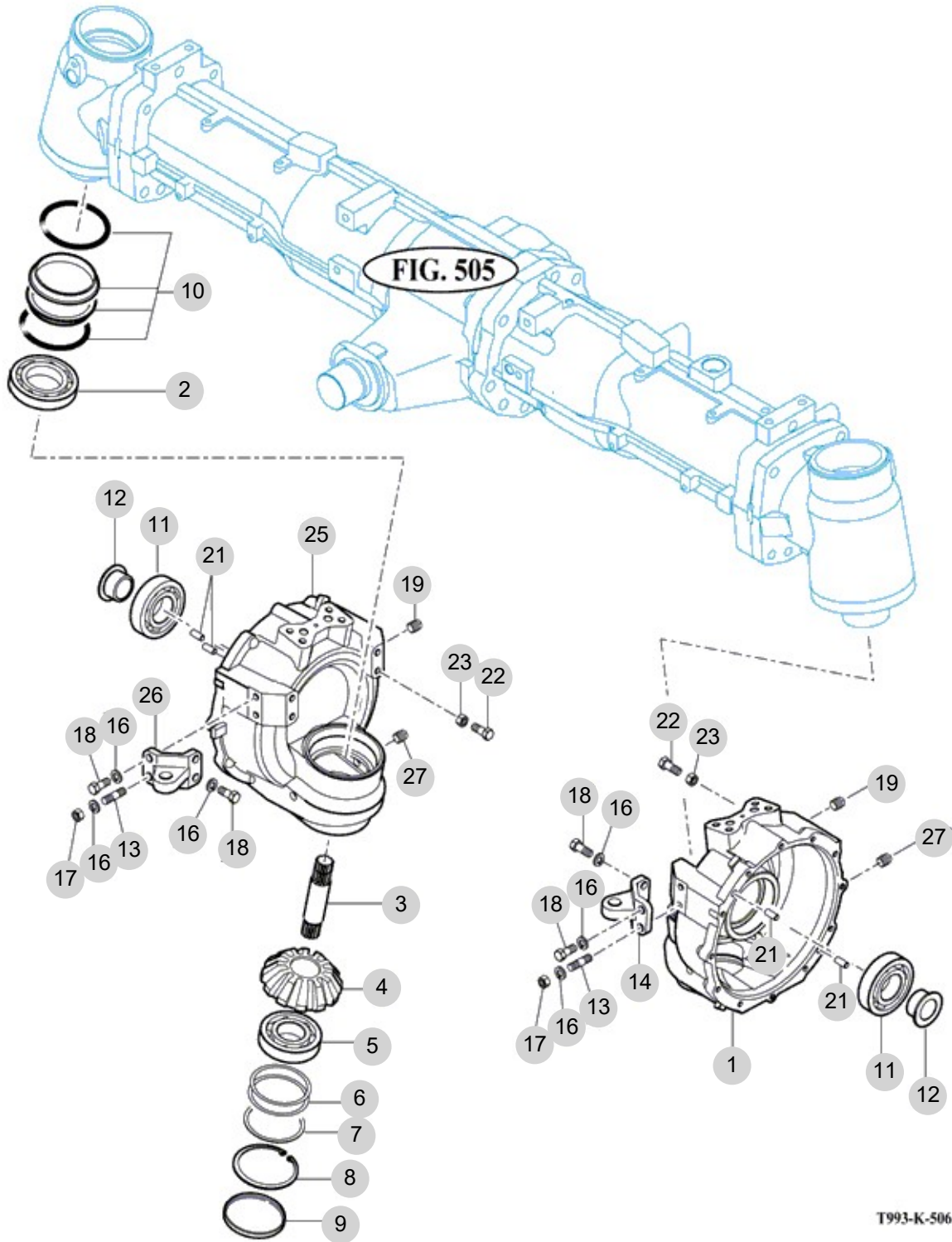
FIG 506

T1104SPEUA

FRONT GEAR CASE (2)

년/월
Year/Month

2022-12



NOTE

FIG 507

FRONT GEAR CASE (3)

년/월
Year/Month

2022-12

T1104SPEUA

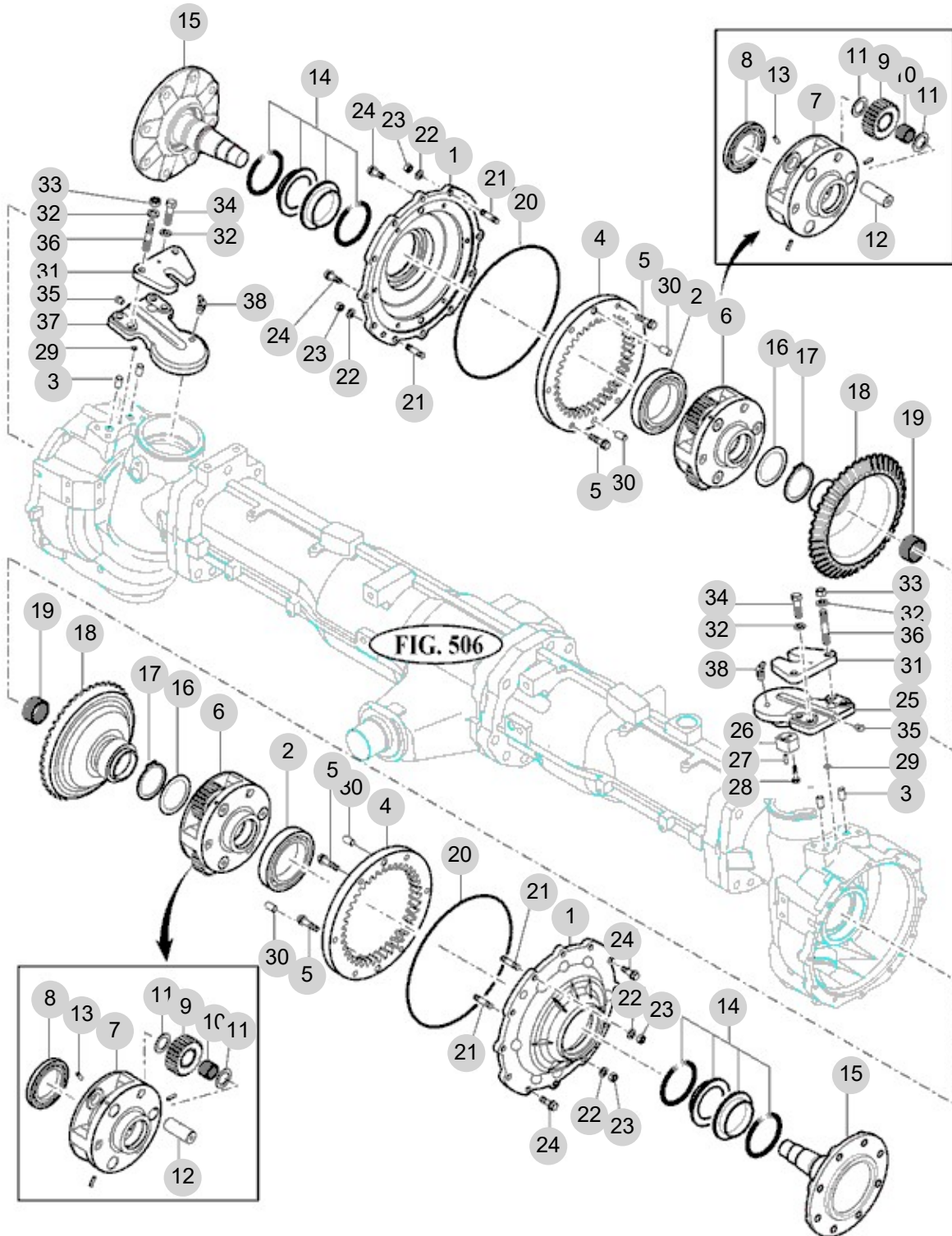


FIG. 506

T953-K-507

NOTE

<p style="text-align: center;">FIG 507</p> <p style="text-align: center;">T1104SPEUA</p>	<p style="font-size: 1.2em;">FRONT GEAR CASE (3)</p>						년/월 Year/Month

KEY NO		PART NO	DESCRIPTION	SPEC	QTY	REPAIR	EFFECTIVE DATE	REMARKS
507	1	19024130131M	COVER , WHEEL		2			
507	2	V6001106016	BEARING , BALL	6016	2			
507	3	V5201012020	PIN , PARALLEL/A	12X20(A)	4			
507	4	19024132021	GEAR , SPUR 60T		2			
507	5	V2174610040	BOLT , HEX /S	M10X40	12			
507	6	19024132102	PLANET GEAR ASSY		1			
507	7	19024132110M	HOUSING , PLANET GEAR		2			
507	8	V6001116013	BEARING , BALL	16013	2			
507	9	19024132120	GEAR , SPUR19T		6			
507	10	15683020010	BEARING , NEEDLE 253224	KT253224	6			
507	11	19024132130	WASHER , 25X40X2		12			
507	12	19024132141	PIN , 25X62		6			
507	13	V5801406022	PIN .SPRING	6X22	3			
507	14	17994420020	SEAL , MECHANICAL		2			
507	15	19404130150	SHAFT , WHEEL		2			
507	16	19024130160	WASHER , 50X65X3		2			
507	17	V7041400500	C-RING , SHAFT	50	2			
507	18	19024130080	GEAR , BEVEL 37T		2			
507	19	V6544404825	BEARING , NEEDLE CAGED	KT404825	2			
507	20	V7211057270	O-RING , G	1A, G270	2			
507	21	V2514410030	BOLT , STUD/2	M10X30	4			
507	22	V4011600100	WASHER , SPRING	M10	4			
507	23	V3043600100	NUT , HEX/2	M10	4			
507	24	V2174610030	BOLT , HEX/S	M10X30	20			
507	25	19024130174M	METAL , PIVOT/LH		1			
507	26	19024142102	INDICATOR		1			
507	27	V5201006016	PIN , PARALLEL/A	6X16(A)	2			
507	28	V2123606030	BOLT . HEX /SP	M6X30	2			
507	29	V7201019007	O-RING , P	1A, P7	2			
507	30	V5201012020	PIN , PARALLEL/A	12X20(A)	4			
507	31	19024130193	PLATE , GUIDE	T=16	2			
507	32	V4011600120	WASHER , SPRING	M12	8			
507	33	V3043600120	NUT , HEX/2	M12	4			
507	34	V2014612040	BOLT , HEX	M12X40	4			
507	35	V7801000002	PLUG , HEX-SOCKET	R1/8	2			
507	36	V2513412055	BOLT , STUD/2	M12X55	4			
507	37	19024130271M	METAL , PIVOT/RH		1			
507	38	V7631500000	NIPPLE , GREASE/B-PT	B-PT 1/8	2			

NOTE	
------	--

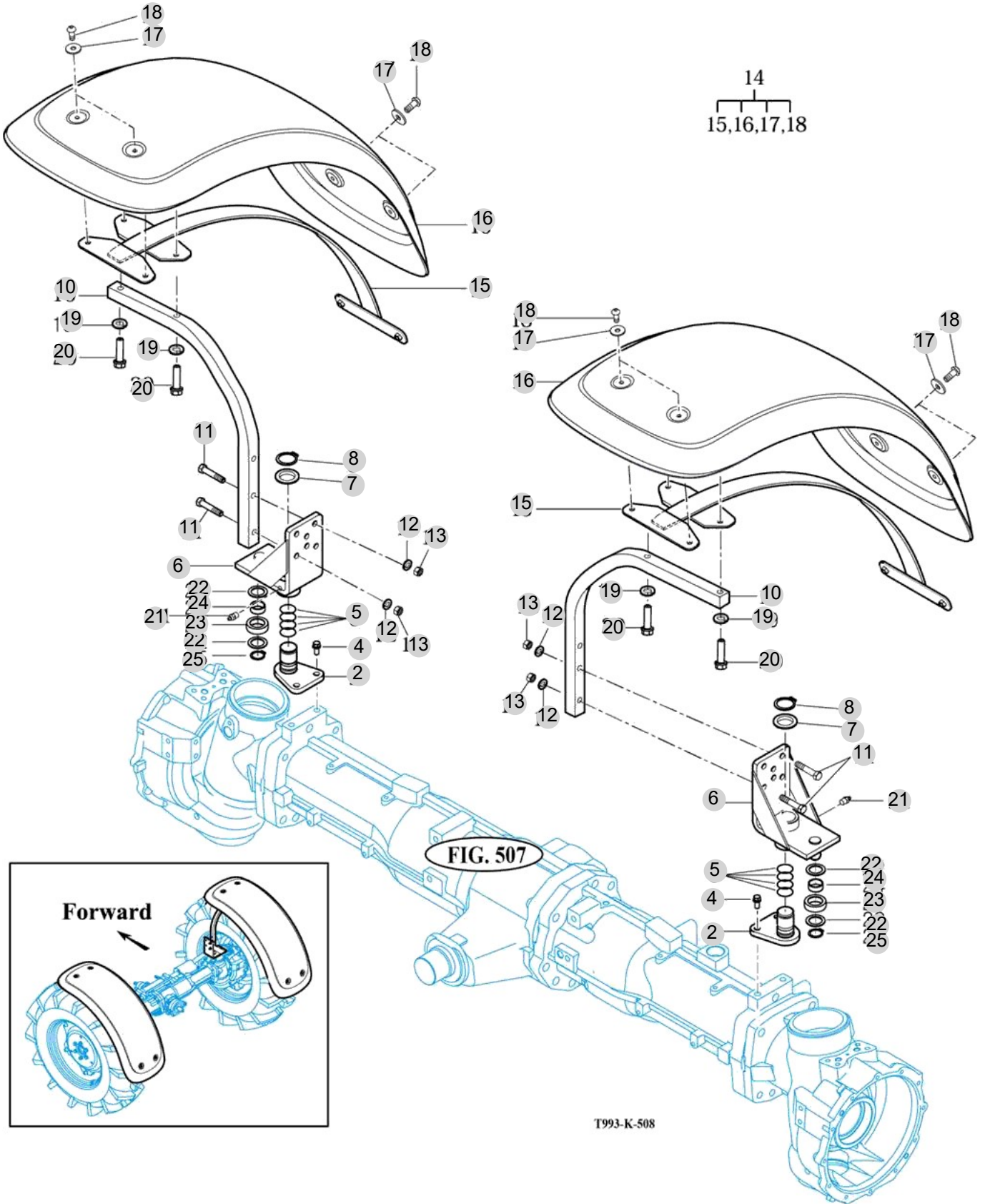
FIG 508

MUD GUARD ASSY

년/월
Year/Month

2022-12

T1104SPEUA



NOTE

6. Hydraulic/3P-Link PART NO. T6

FIG 601 VALVE SUB, SHIFT	195
FIG 601-2 VALVE SUB, MAIN	197
FIG 602 DRAWBAR ASSY	199
FIG 603 FILTER SUB, SUCTION	201
FIG 603-2 GEAR PUMP ASSY	203
FIG 604 CASE, CYLINDER	205
FIG 605 ARM SUB, LIFT	207
FIG 606 MAIN CONTROL VALVE SUB	209
FIG 607 AUX VALVE & FILTER SUB	211
FIG 607-2 LEVER SUB, AUX	213
FIG 608 HITCH & 3-POINT LINK	215
FIG 608-2 LOWER LINK & LIFT ROD	217
FIG 609 HYDRAULIC PIPE & HOSES	219
FIG 610 JOYSTICK	221

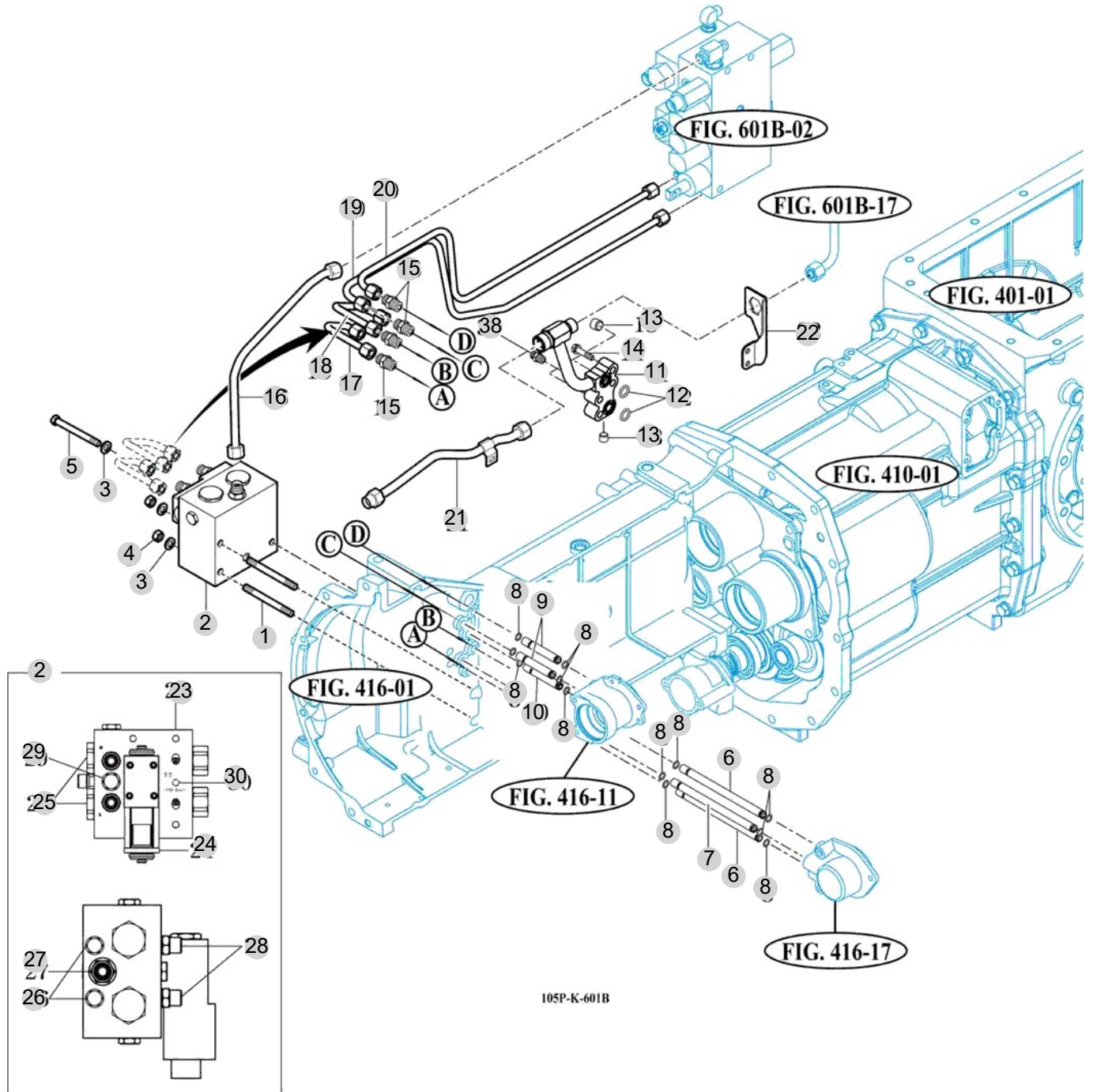
FIG 601

VALVE SUB, SHIFT

년/월
Year/Month

T1104SPEUA

2022-12



NOTE

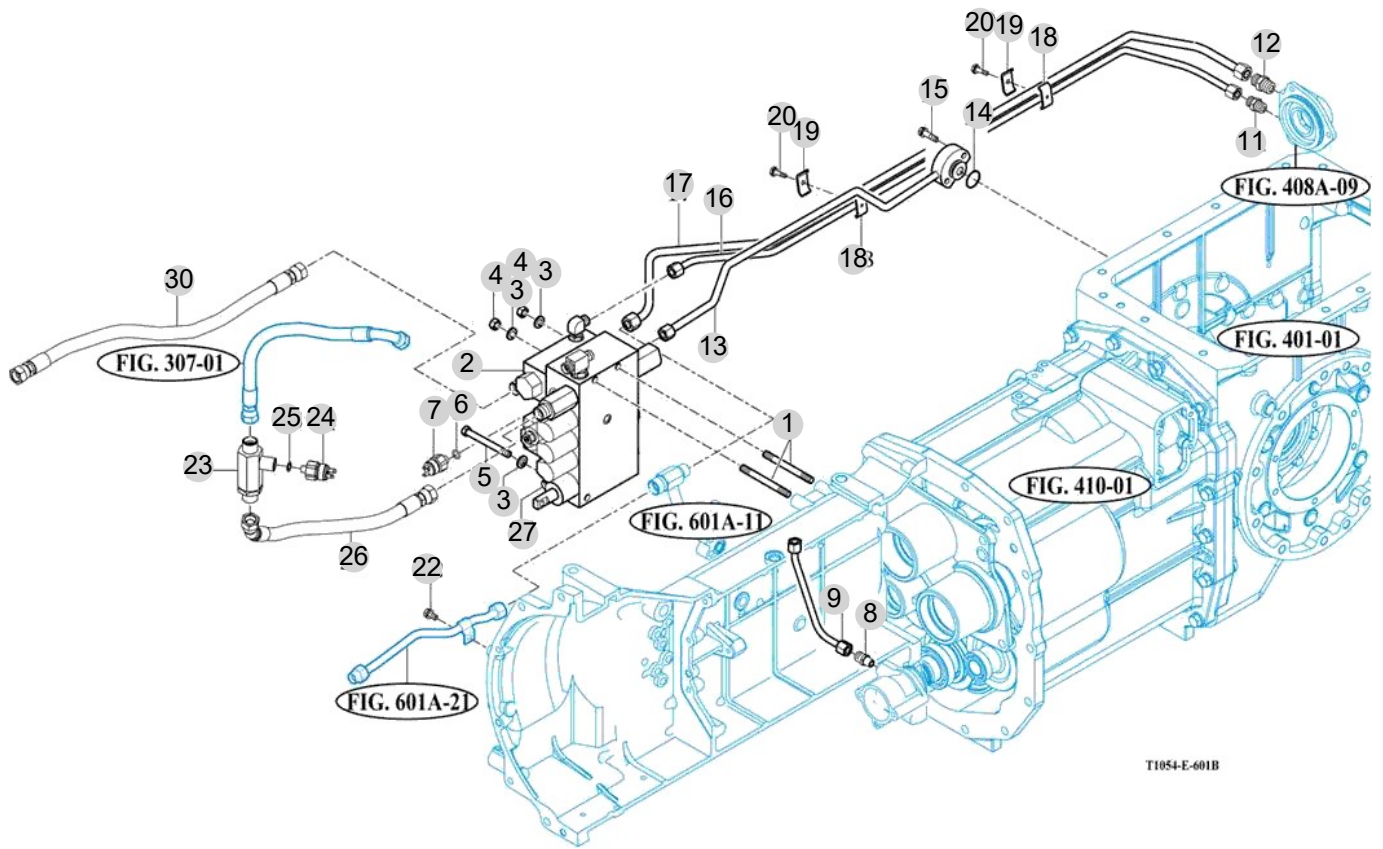
FIG 601-2

T1104SPEUA

VALVE SUB, MAIN

년/월
Year/Month

2022-12



T1054-E-601B

NOTE

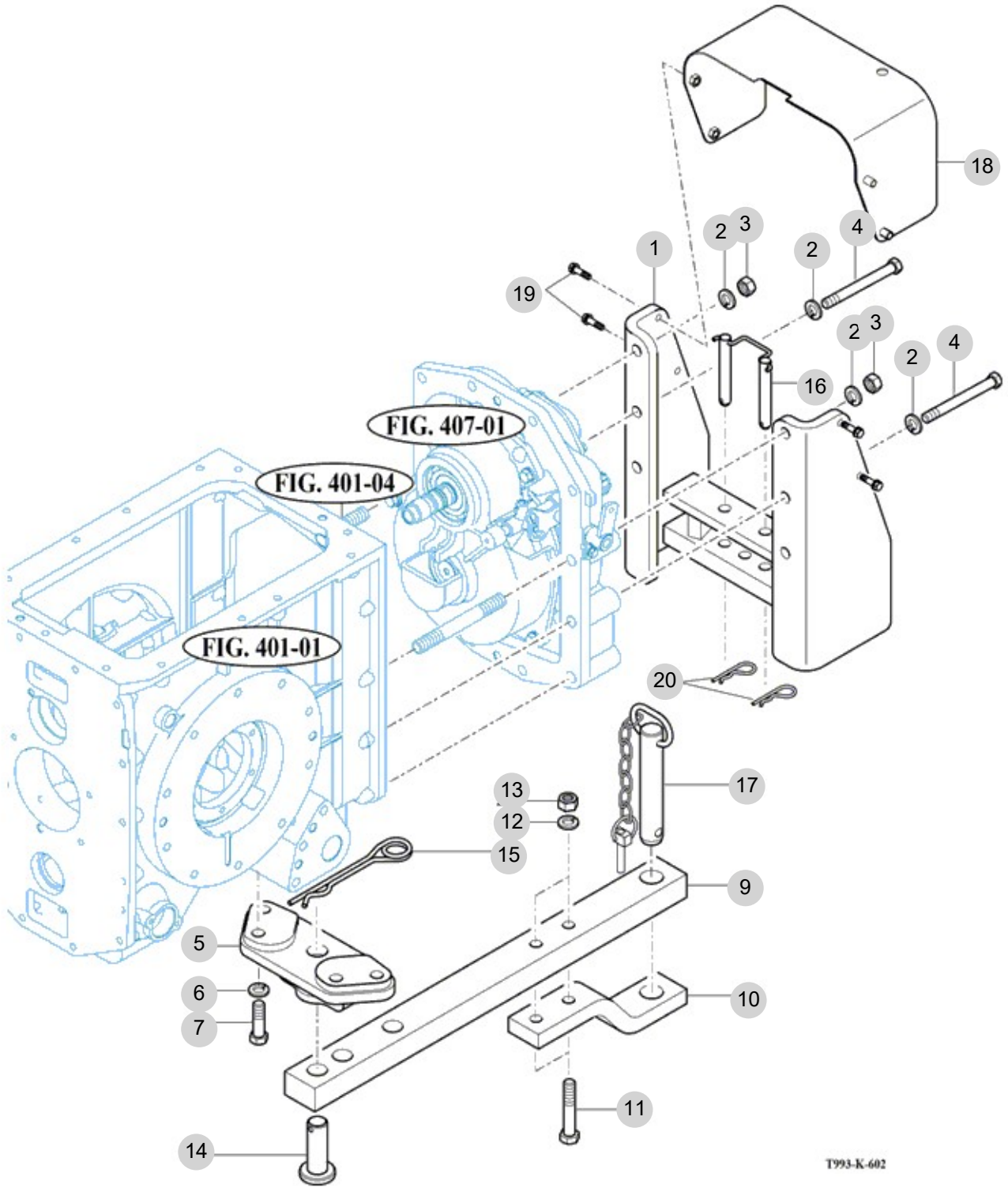
FIG 602

T1104SPEUA

DRAWBAR ASSY

년/월
Year/Month

2022-12



T993-K-602

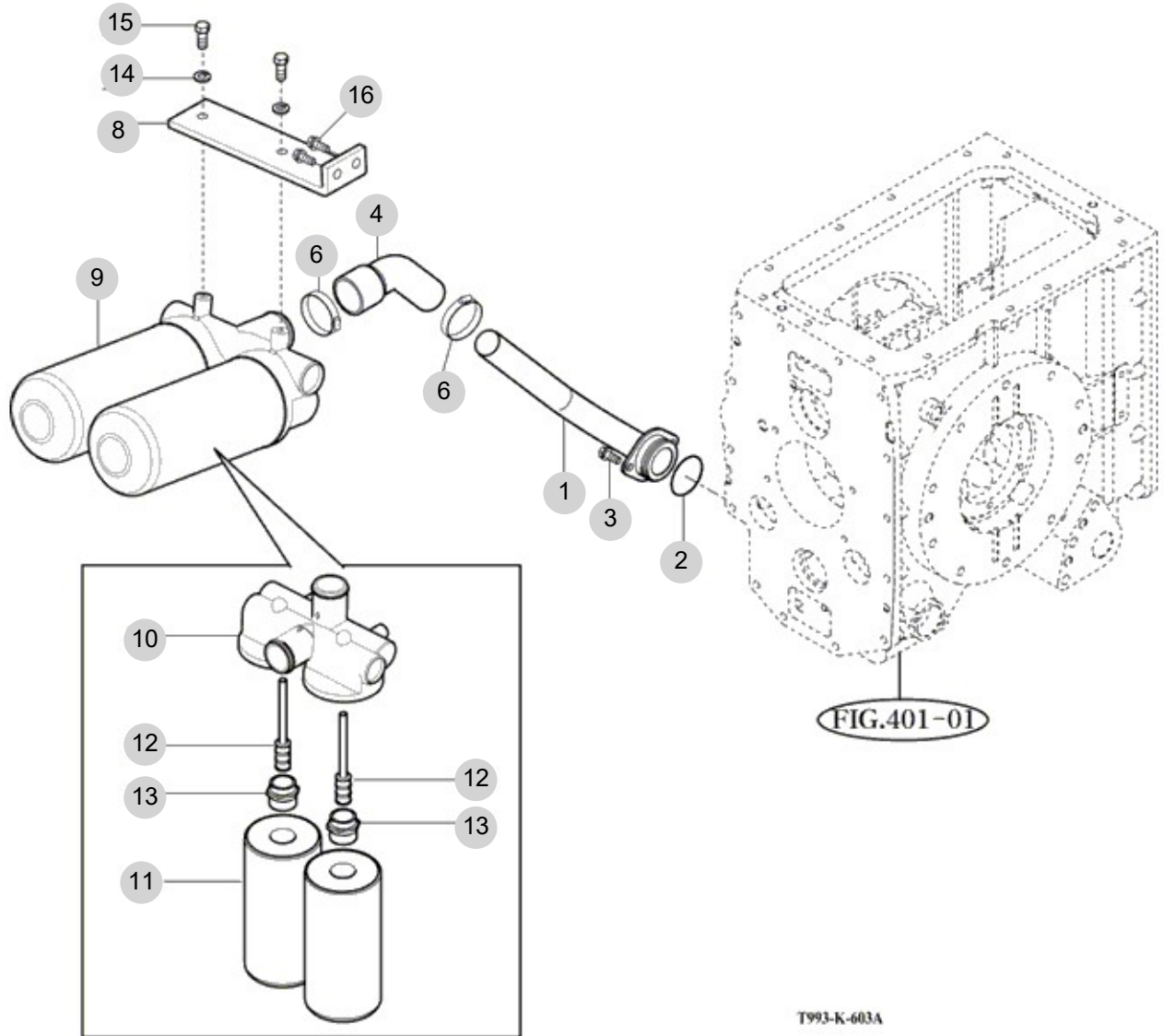
NOTE

FIG 603

FILTER SUB, SUCTION

년/월
Year/Month

2022-12



NOTE

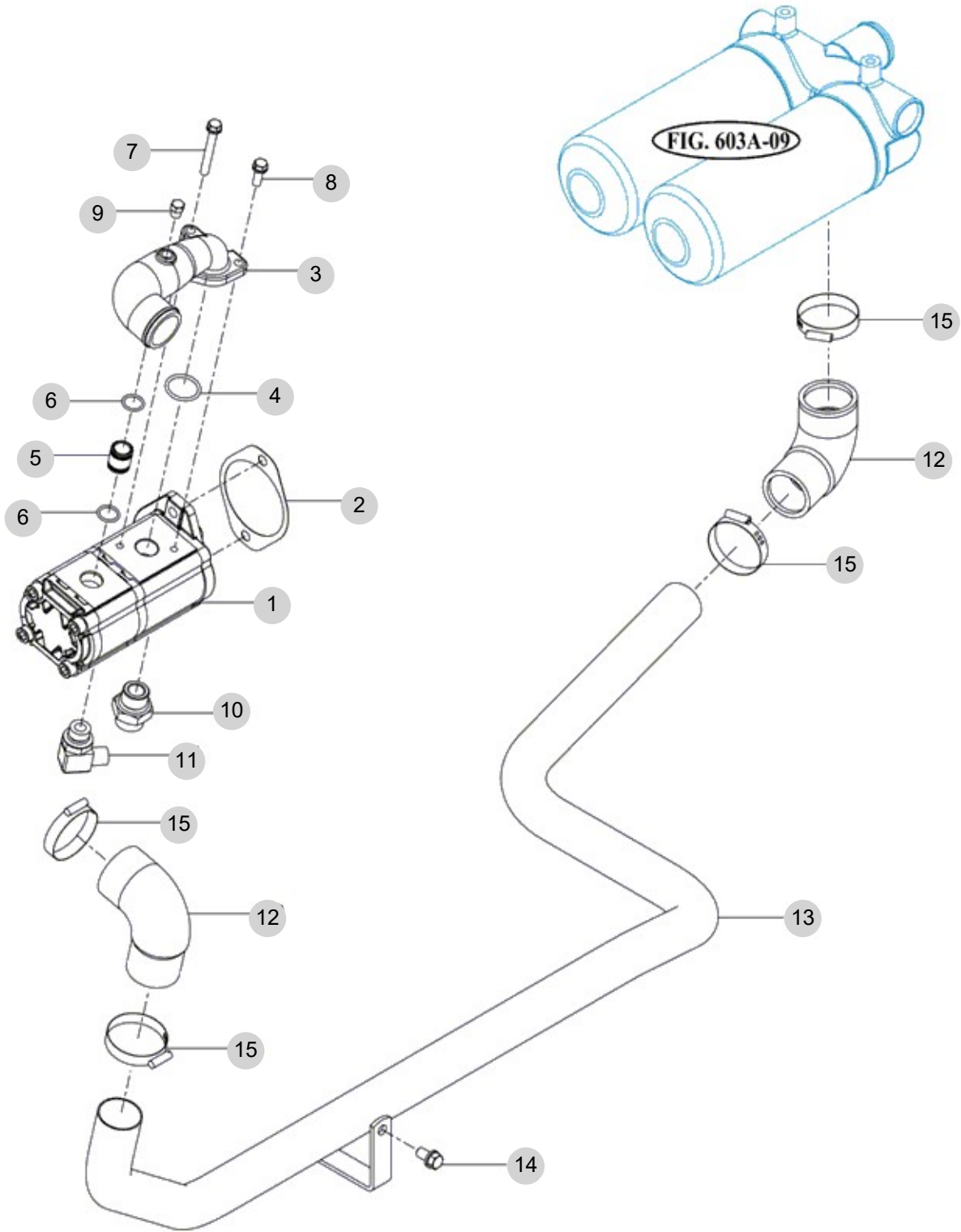
FIG 603-2

T1104SPEUA

GEAR PUMP ASSY

년/월
Year/Month

2022-12



NOTE

FIG 603-2 T1104SPEUA		GEAR PUMP ASSY						년/월 Year/Month
								2022-12
KEY NO	PART NO	DESCRIPTION	SPEC	QTY	REPAIR	EFFECTIVE DATE	REMARKS	
603-2	1	18715182000	GEAR PUMP ASSY , 24X12CC			1		
603-2	2	34523500020	GASKET , GEAR PUMP			1		
603-2	3	18715180031M	MANIFOLD			1		
603-2	4	V7211031030	O-RING , G			1		
603-2	5	19025180043	PIPE , STEERING			1		
603-2	6	V7201024018	O-RING , P			2		
603-2	7	V2173608065	BOLT , HEX/S	M8X65		1		
603-2	8	V2173608025	BOLT , HEX/S	M8X25		1		
603-2	9	13267060022	PLUG , DRAIN			1		
603-2	10	19025140060	UNION , PF3/4 M28			1		
603-2	11	16582630620	CONNECTOR , PF1/2			1		
603-2	12	19025403020	HOSE , ELBOW			2		
603-2	13	18715403300GB	PIPE COMP , SUCTION			1		
603-2	14	V2173610020	BOLT , HEX/S	M10X20		1		
603-2	15	34513310040	BAND CLAMP 64			4		
603-2	15	18027090600	BAND CLAMP 60 EMBO TYPE			4		
NOTE								

FIG 604

T1104SPEUA

CASE, CYLINDER

년/월
Year/Month

2022-12

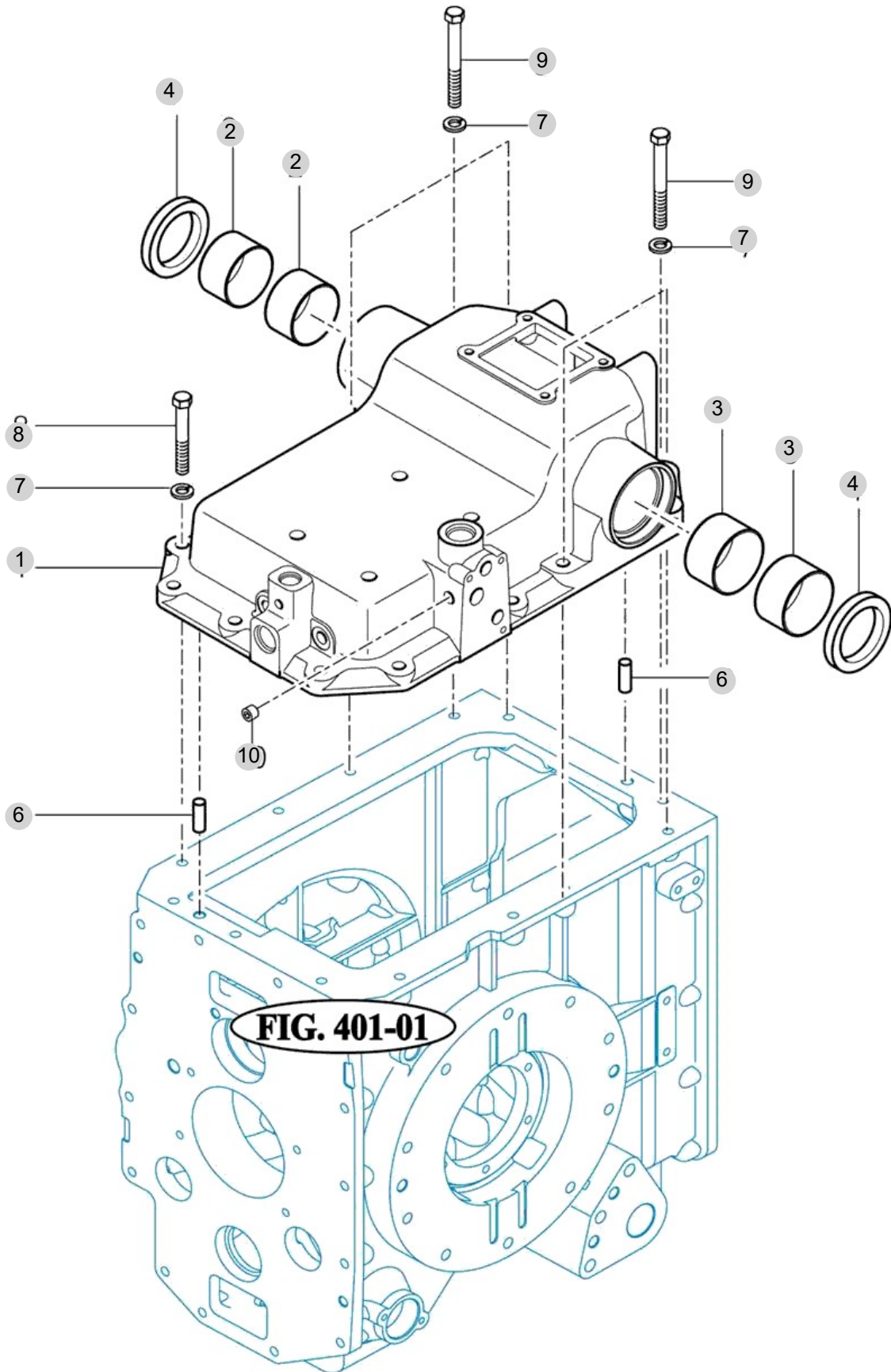


FIG. 401-01

NOTE

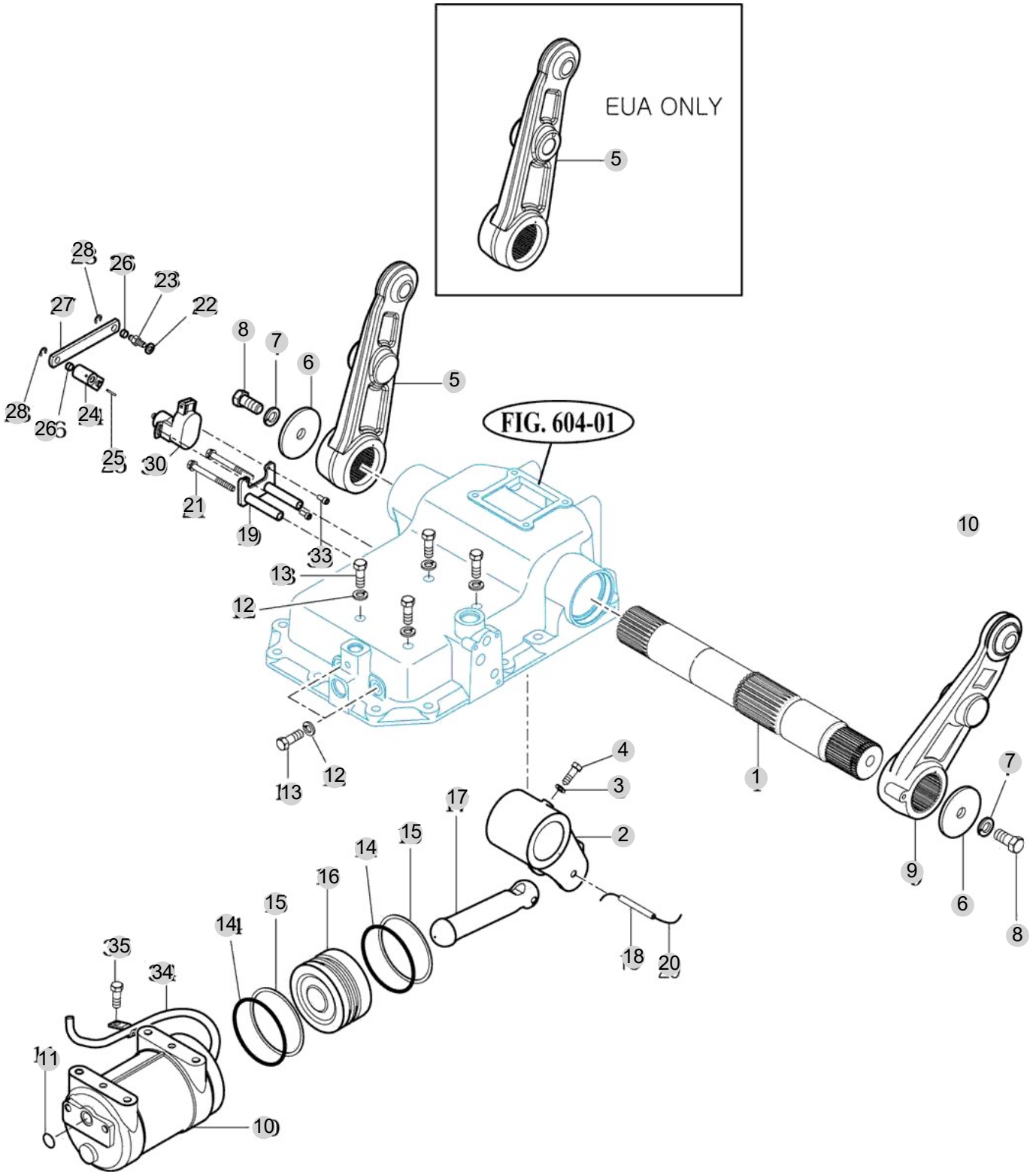
FIG 605

T1104SPEUA

ARM SUB, LIFT

년/월
Year/Month

2022-12



NOTE

FIG 606

T1104SPEUA

MAIN CONTROL VALVE SUB

년/월
Year/Month

2022-12

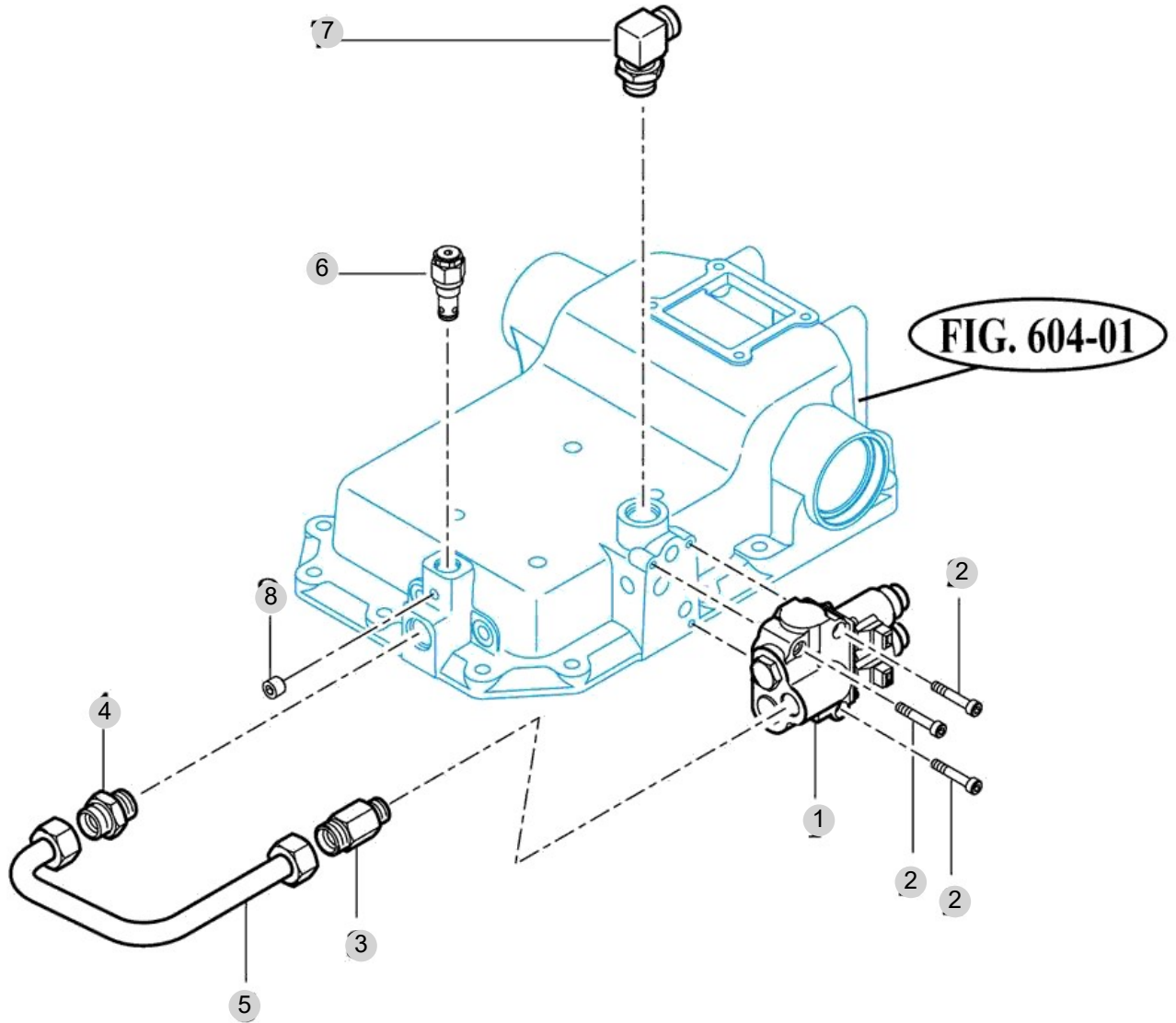
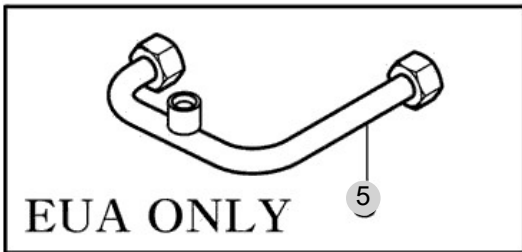


FIG. 604-01



T1104-E-606

NOTE

FIG 606 T1104SPEUA		MAIN CONTROL VALVE SUB						년/월 Year/Month
								2022-12
KEY NO	PART NO	DESCRIPTION	SPEC	QTY	REPAIR	EFFECTIVE DATE	REMARKS	
606	1	18715149000	VALVE ASSY , MAIN		1			
606	2	V2205408045	BOLT , HEX-SOCKET	M8X45	3			
606	3	19025140054	UNION , M22 M28	"HEX,B=30"	1			
606	4	19025140060	UNION , PF3/4 M28	"HEX,B=36"	1			
606	5	19025802301	PIPE COMP , CYLINDER	1X1X1	1			
606	6	17800070000	VALVE ASSY . SAFETY	1X1X1	1			
606	7	19025140071	ELBOW , PF3/4 M28	1X1X1	1			
606	8	V7801000002	PLUG , HEX-SOCKET	R1/8	1			
NOTE								

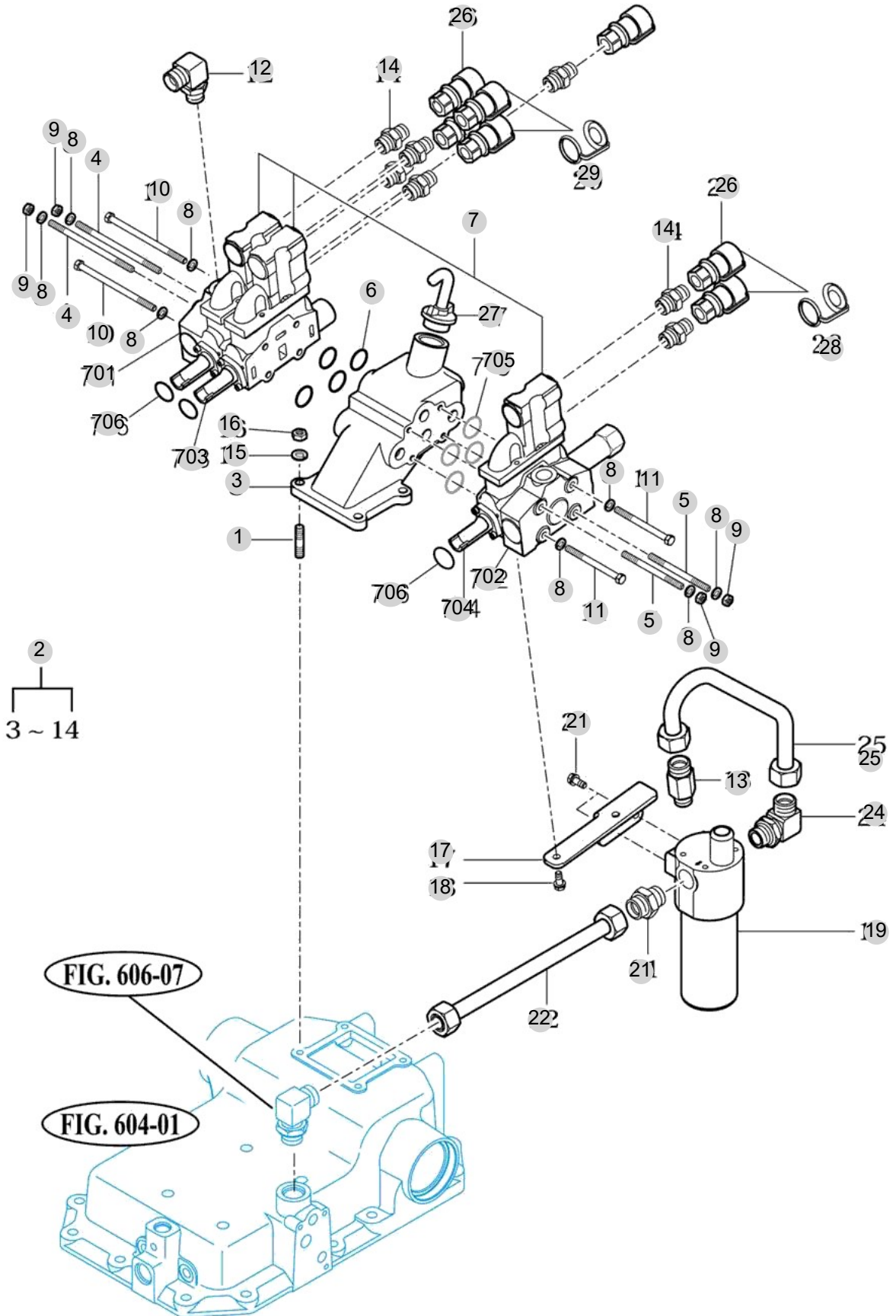
FIG 607

AUX VALVE & FILTER SUB

년/월
Year/Month

2022-12

T1104SPEUA



NOTE

FIG 607		AUX VALVE & FILTER SUB						년/월	Year/Month
								2022-12	
T1104SPEUA		KEY NO	PART NO	DESCRIPTION	SPEC	QTY	REPAIR	EFFECTIVE DATE	REMARKS
607	1	V2513410030	BOLT , STUD/2	M10X30	4				
607	2	18715151000	AUX VALVE SUB	1X1X1	1				
607	2	18715151001	AUX VALVE SUB		1				
607	3	19025110094M	CASE , AUX	1X1X1	1				
607	4	19125151011	STUDBOLT , M8X150	11T	2				
607	5	19025151022	STUDBOLT , M8X95	11T	2				
607	6	V7211031025	O-RING , G	1A, G25	4				
607	7	19145152001	VALVE ASSY , AUXI		1				
607	701	19025152101	COVER SUB , INLET	1X1X1	1				
607	702	19025152201	COVER SUB , OUTLET	1X1X1	1				
607	703	19025152301	AUX VALVE SUB , D/A	1X1X1	2				
607	704	19125152601	AUX VALVE SUB , FLOAT 3/DETENT		1				
607	705	19025152020	O-RING, AUX VALVE	1X1X1	16				
607	706	V7231020024	O-RING , S		3				
607	8	19025152020	O-RING, AUX VALVE	1X1X1	8				
607	9	V3043600080	NUT , HEX/2	M8	4				
607	10	V2014608140	BOLT , HEX	M8X140	2				
607	11	V2014608095	BOLT , HEX	M8X95	2				
607	12	19025151030	ELBOW , M22 PF3/4	1X1X1	1				
607	13	19025140054	UNION , M22 M28	"HEX,B=30"	1				
607	14	19025153321	UNION , M22 PT1/2	HEX B=27	7				
607	15	V4011600100	WASHER , SPRING	M10	4				
607	16	V3042600100	NUT , HEX/2	M10	4				
607	17	19025150040	PLATE , FILTER	T=6.0	1				
607	18	V2173608020	BOLT , HEX/S	M8X20	2				
607	19	19025153103	FILTER ASSY , HIGH PRESSURE		1				
607	20	19025153110	ELEMENT , HIGH	1X1X1	1				
607	21	V2173608020	BOLT , HEX/S	M8X20	2				
607	22	19025140060	UNION , PF3/4 M28	"HEX,B=36"	1				
607	23	19025142203	PIPE COMP , MAIN VALVE	1X1X1	1				
607	24	19025140071	ELBOW , PF3/4 M28	1X1X1	1				
607	25	19025142401	PIPE COMP , FILTER	1X1X1	1				
607	26	16995152360	COUPLING , 1/2		7				
607	27	18715110110	CAP ASSY , OIL		1				
607	28	18715152410	CAP , DUST BLUE		2				
607	29	18715152420	CAP , DUST Green		2				
NOTE									

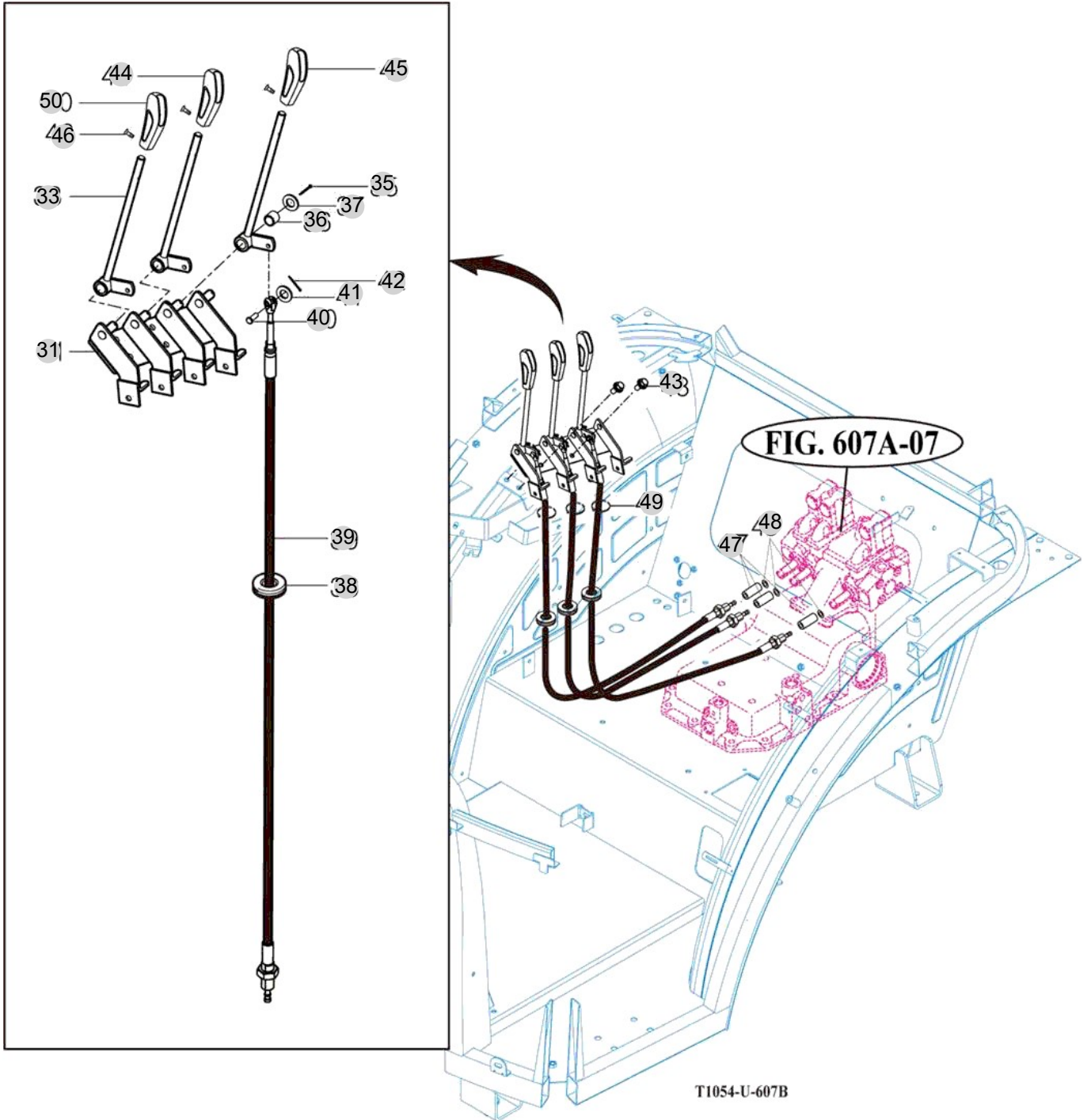
FIG 607-2

LEVER SUB, AUX

년/월
Year/Month

2022-12

T1104SPEUA



NOTE

FIG 607-2		LEVER SUB, AUX					년/월 Year/Month	
T1104SPEUA		2022-12						
KEY NO	PART NO	DESCRIPTION	SPEC	QTY	REPAIR	EFFECTIVE DATE	REMARKS	
607-2	31	19027592401GB	PLATE COMP , AUX LEVER	1X1X1				
607-2	33	19157592300	LEVER , AUX	1X1X1				
607-2	35	V5001925020	PIN D2.5x20	2.5X20				
607-2	36	36504400140	BUSH , 12X14X20	12X14X20				
607-2	37	V4111600120	WASHER , PLAIN	M12				
607-2	38	19027553020	GROMMET , CABLE/D10	1X1X1				
607-2	39	19157592200	CABLE ASSY , AUX LEVER	1X1X1				
607-2	40	16011020030	PIN	D=6				
607-2	41	V4111600060	WASHER , PLAIN	M6				
607-2	42	V5001920020	PIN , SPLIT	2X20				
607-2	43	V2183608020	BOLT , HEX/SP	M8X20				
607-2	44	15807593200	KNOB ASSY, AUX/BLUE					
607-2	45	15807593100	KNOB ASSY, AUX/GREEN					
607-2	46	V1122804012	SCREW , C/R FLAT	M4X12				
607-2	47	19025151050	COVER, AUX CABLE	1X1X1				
607-2	48	V7231020024	O-RING , S					
607-2	49	14216210380	CABLE TIE , 200					
607-2	50	15807593300	KNOB ASSY, AUX/VIOLET					
NOTE								

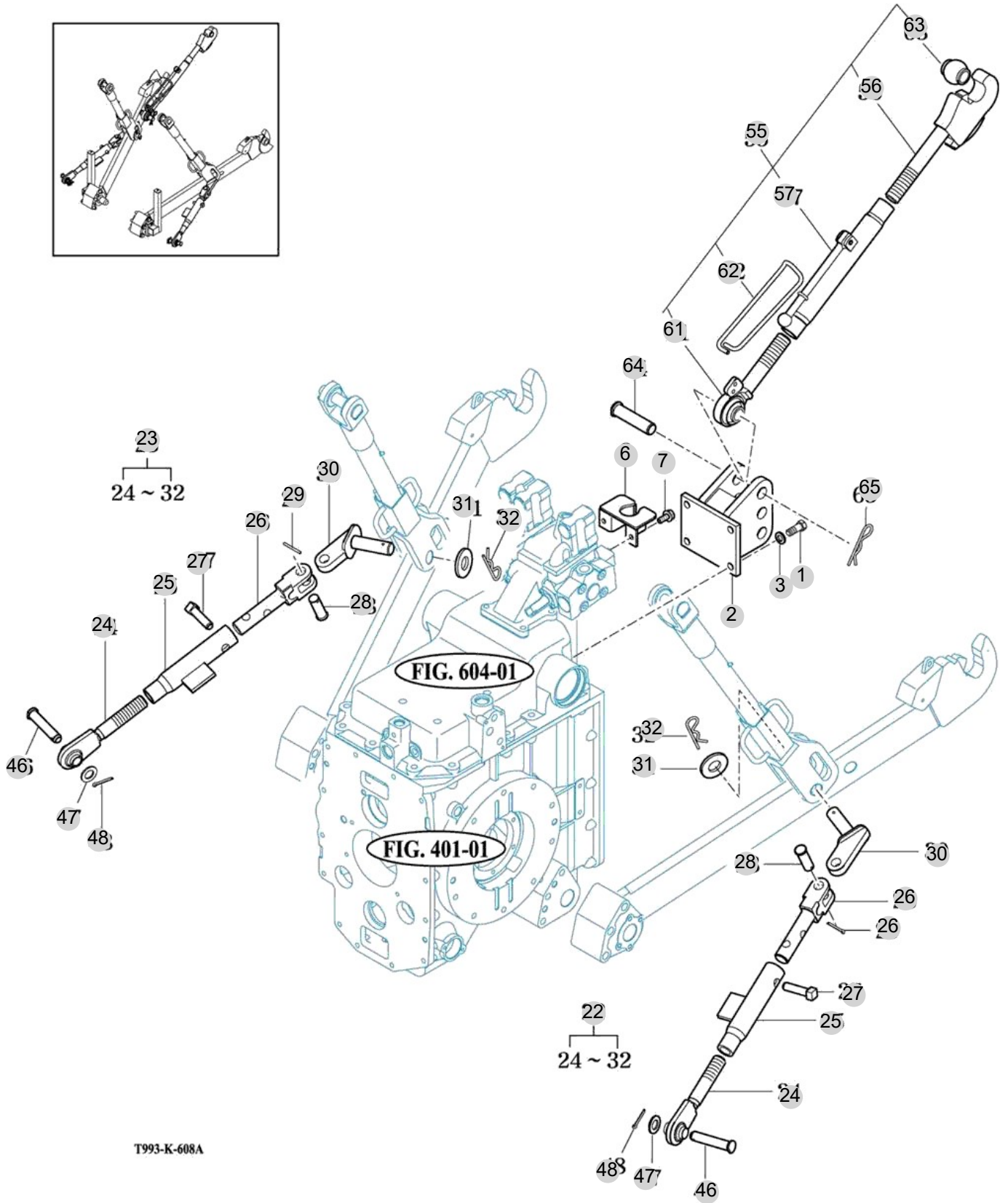
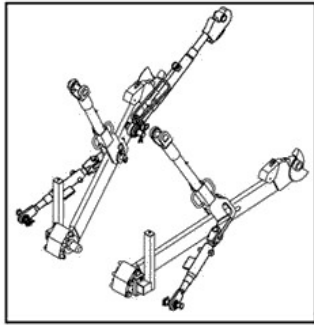
FIG 608

HITCH & 3-POINT LINK

년/월
Year/Month

T1104SPEUA

2022-12



T993-K-608A

NOTE

FIG 608 T1104SPEUA	HITCH & 3-POINT LINK	년/월 Year/Month
		2022-12

KEY NO	PART NO	DESCRIPTION	SPEC	QTY	REPAIR	EFFECTIVE DATE	REMARKS
608	1	V2014614035	BOLT , HEX	M14X35	4		
608	1	V2205414035	BOLT , HEX-SOCKET		6		
608	2	19025208102	BRACKET COMP , TOP LINK	1X1X1	1		
608	2	18935208100	BRACKET COMP , TOP LINK		1		
608	3	V4011600140	WASHER , SPRING		6		
608	3	V4011600140	WASHER , SPRING	M14	4		
608	6	19025207302GB	BRACKET COMP , FIX	1X1X1	1		
608	7	V2173608016	BOLT , HEX/S	M8X16	2		
608	22	19025205002	CHECK LINK ASSY, LH	1X1X1	1		
608	23	19025205502	CHECK LINK ASSY, RH	1X1X1	1		
608	24	19025205100	ROD COMP, R	219X58X44	2		
608	25	17995253302GB	SLEEVE COMP	1X1X1	2		
608	25	17995253303GB	SLEEVE COMP		2		
608	26	19025205300	ROD COMP , R	1X1X1	2		
608	26	19025205301	ROD COMP , R		1		
608	27	17995253200	PIN COMP	1X1X1	2		
608	27	19405206400	LINCHPIN(14) ASSY		1		
608	28	19025205050	PIN , 20X59	D20X87	2		
608	29	V5001950035	PIN , SPLIT	5X35	2		
608	30	19025205072	EYE BOLT	1X1X1	2		
608	31	19025205080	WASHER , PLAIN	T=6	2		
608	32	19025200071	HAIRPIN , 25	D=4.5	2		
608	46	15645220020	PIN , 19X95	D=19	2		
608	47	V4111600200	WASHER , PLAIN	M20	2		
608	48	V5001950035	PIN , SPLIT	5X35	2		
608	55	19025206005	TOP LINK ASSY	1X1X1	1		
608	56	19025201100	ROD COMP , LH		1		
608	57	19025206203	SLEEVE ASSY , TOP LINK	1X1X1	1		
608	61	19025206303	END COMP , RH	1X1X1	1		
608	62	19025206014	HOLDER , TOP LINK		1		
608	62	19025206015	HOLDER , TOP LINK	D=8	1		
608	63	17995201500	BALL , TOP LINK	1X1X1	1		
608	64	19025200064	PIN , 25X100	1X1X1	1		
608	65	19025200071	HAIRPIN , 25	D=4.5	1		

NOTE

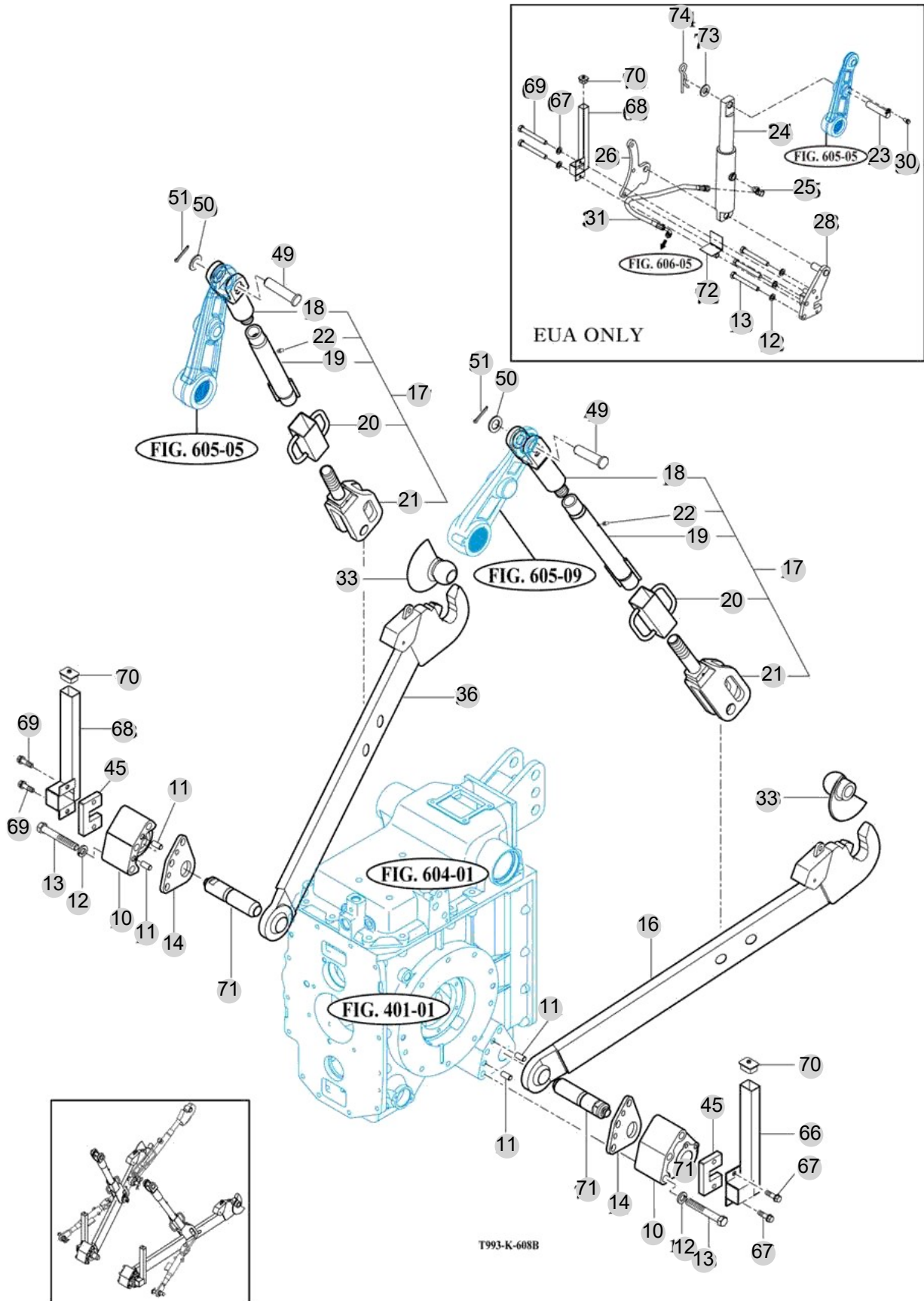
FIG 608-2

LOWER LINK & LIFT ROD

년/월
Year/Month

T1104SPEUA

2022-12



NOTE

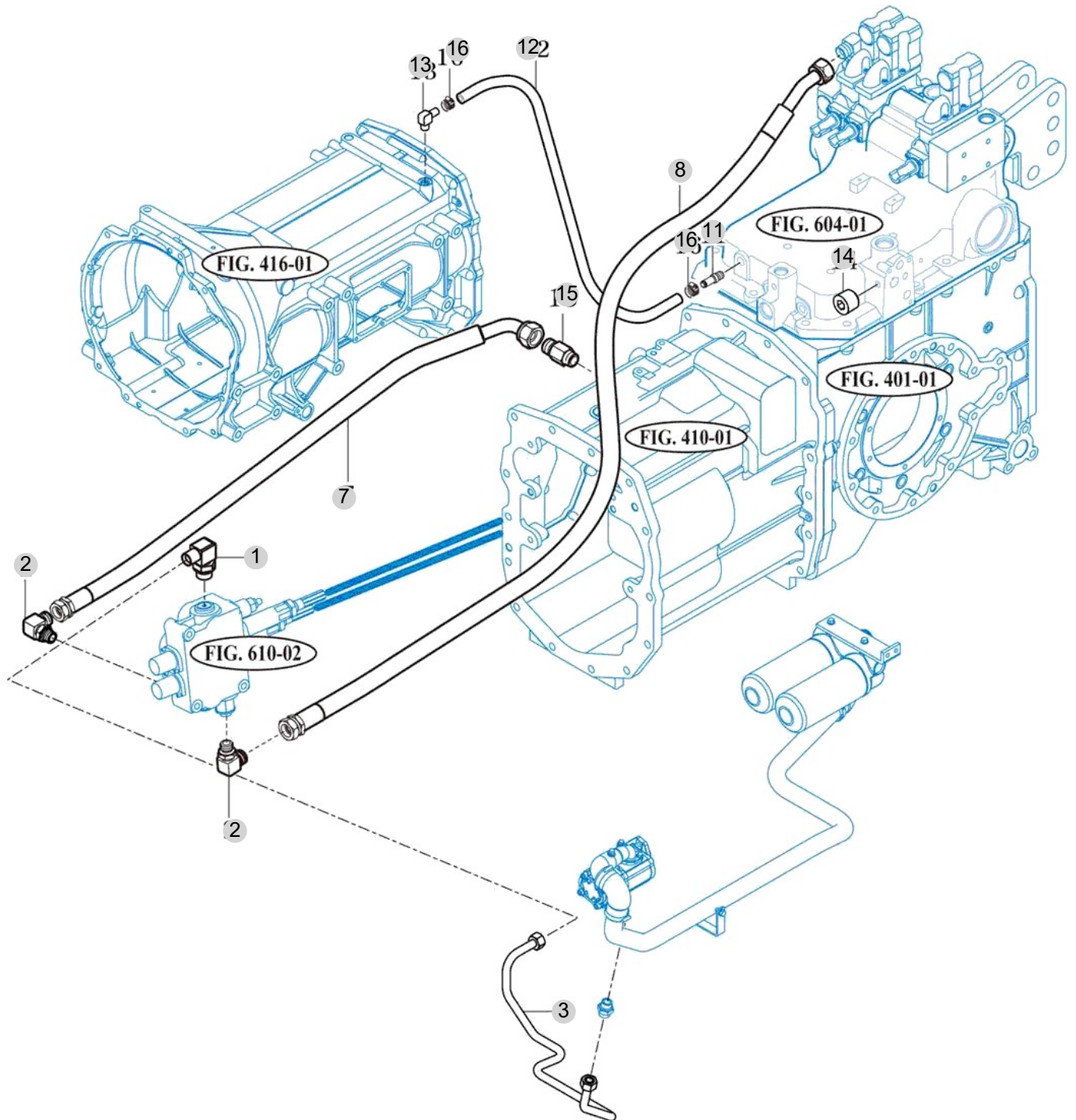
FIG 609

HYDRAULIC PIPE & HOSES

년/월
Year/Month

T1104SPEUA

2022-12



NOTE

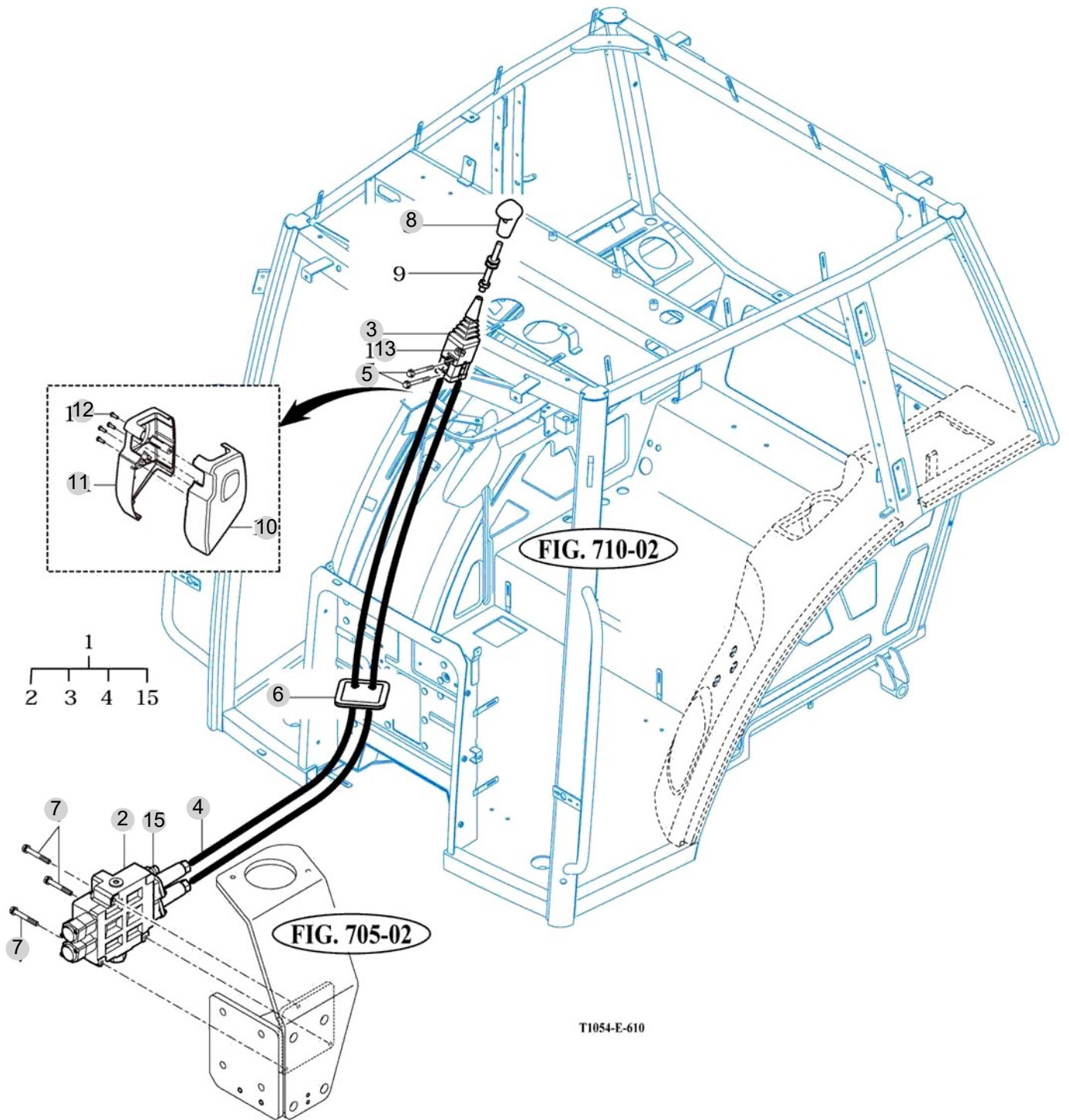
FIG 610

T1104SPEUA

JOYSTICK

년/월
Year/Month

2022-12



T1054-E-610

NOTE

7. Sheet Metal & Cabin PART NO. T7

FIG 701 FRONT FRAME SUB	224
FIG 702 FRAME, HOOD	226
FIG 703 HOOD	228
FIG 704 STEP & BOOTS	231
FIG 705 FRONT & REAR MOUNTING	233
FIG 706 SEAT & MAT	235
FIG 708 DOOR-LH	237
FIG 709 DOOR-RH	239
FIG 710 FRAME COMP & FRONT GLASS	241
FIG 711 SIDE GLASS	243
FIG 712 REAR GLASS	245
FIG 713 SUB FENDER & COVER	247
FIG 714 REARVIEW MIRRORS	249
FIG 715 HEATER & AIR-CON (1)	251
FIG 716 HEATER & AIR-CON (2)	253
FIG 717 ROOF	255
FIG 718 CABIN INTERIOR	257
FIG 719 DASHCOVER	259
FIG 720 TANK ASSY, WASH	261
FIG 721 ROOM MIRROR ASSY	263
FIG 722 COVER-FENDER&JOYSTICK LEVER	265

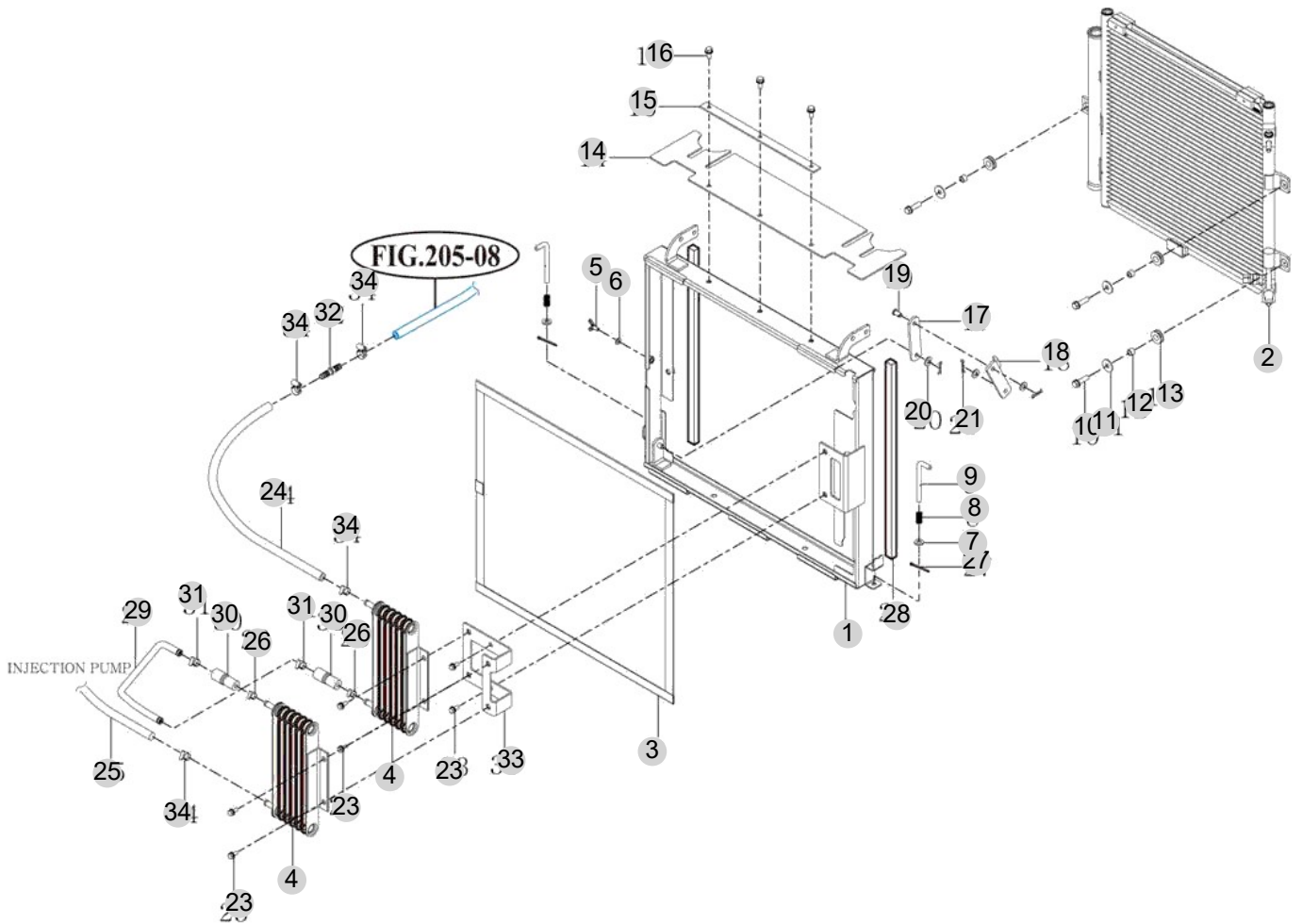
FIG 701

FRONT FRAME SUB

년/월
Year/Month

T1104SPEUA

2022-12



NOTE

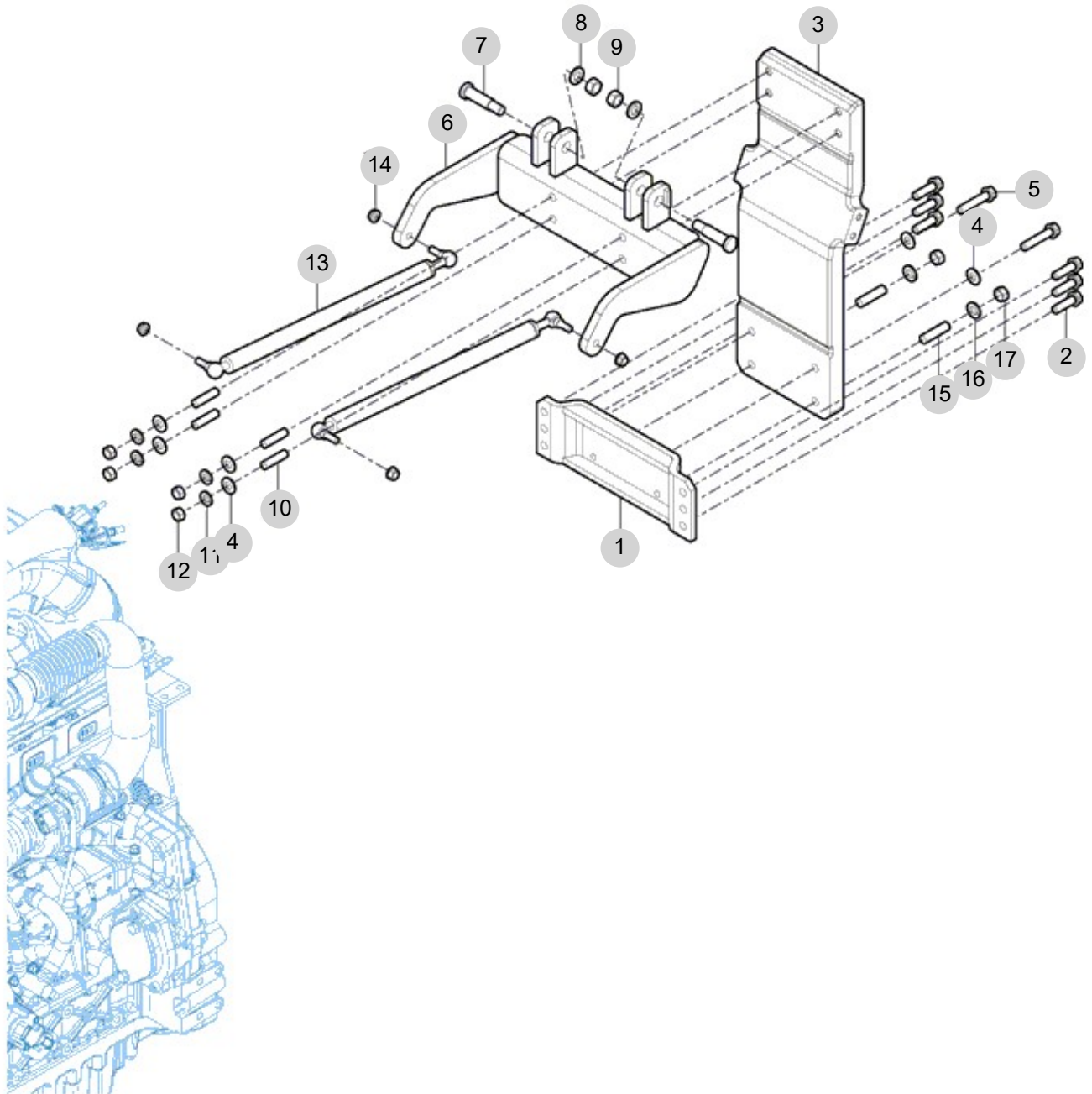
FIG 702

T1104SPEUA

FRAME, HOOD

년/월
Year/Month

2022-12



NOTE

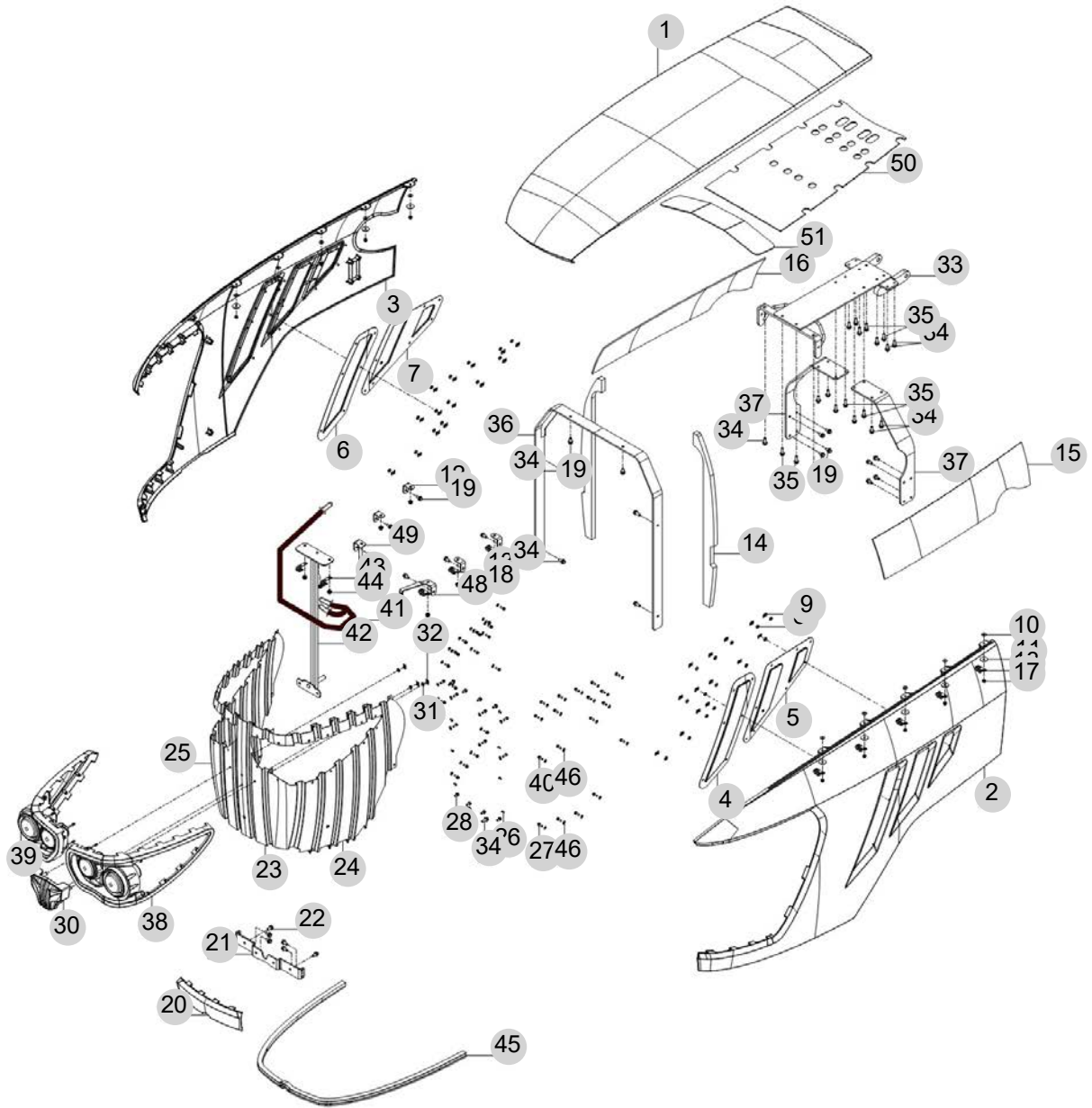
FIG 703

T1104SPEUA

HOOD

년/월
Year/Month

2022-12



NOTE

FIG 703 T1104SPEUA		HOOD					년/월 Year/Month	
							2022-12	
KEY NO	PART NO	DESCRIPTION	SPEC	QTY	REPAIR	EFFECTIVE DATE	REMARKS	
703	1	18716112100SR	COVER COMP , HOOD			1		
703	1	18716112101SR	COVER COMP , HOOD			1		
703	2	18716112200SR	PANEL COMP , SIDE/LH			1		
703	2	18716112201SR	SIDE PANEL COMP/LH			1		
703	3	18716112300SR	PANEL COMP , SIDE/RH			1		
703	3	18716112301SR	SIDE PANEL COMP/RH			1		
703	4	18716113010GB	SIDE GRILL , FR/LH			1		
703	5	18716113020GB	SIDE GRILL , RR/LH			1		
703	5	18716113020GB	SIDE GRILL , RR/LH			1		
703	6	18716113030GB	SIDE GRILL , FR/RH			1		
703	7	18716113040GB	SIDE GRILL , RR/RH			1		
703	8	14446010150	WASHER , NET			28		
703	9	V3501600060	NUT, PUSH-ON SPRING	M6		28		
703	10	35605033020	WASHER , WIRE WITHDRAWAL	T=1.6		10		
703	11	19026112050	WASHER , 6X30X2.3	T=2.3		10		
703	12	18716113051GB	PLATE , HOOD			4		
703	13	14256210040	CLAMP , 9			8		
703	14	18716112060	INSULATOR , SIDE PANEL			2		
703	15	18716110010	INSULATOR , SIDE PANEL/LH			1		
703	16	18716110020	INSULATOR , SIDE PANEL/RH			1		
703	17	V3802600060	NUT , HEX FLANGE	M6		10		
703	18	V3802600080	NUT , HEX FLANGE	M8		6		
703	19	V2183608020	BOLT , HEX/SP	M8X20		16		
703	20	18716112900SR	HOOD COMP , LOW			1		
703	20	18716112901SR	HOOD COMP , LOW			1		
703	21	18716112090GB	BRACKET , HOOD/ROW			1		
703	22	V2183608020	BOLT , HEX/SP	M8X20		6		
703	22	V3802600080	NUT , HEX FLANGE			6		
703	23	18716112130GB	GRILL , FRONT/CTR			1		
703	23	18716112131GB	GRILL , FRONT/CTR			1		
703	24	18716112140GB	GRILL , FRONT/LH			1		
703	25	18716112150GB	GRILL , FRONT/RH			1		
703	26	V5502040093	RIVET , BLIND	4X9.3		8		
703	27	18716113080	SCREW , DRILLING TAPPING/M6X20			20		
703	27	19406110080	TAPPING SCREW , TRUSS/6X16			20		
703	28	V2123606016	BOLT , HEX /SP	M6X16		8		
703	30	10016010012	EMBLEM , TYM			1		
703	30	19556110100	EMBLEM ASSY , HOOD	1X1X1		1		
703	31	14446010150	WASHER , NET			3		
703	32	V3501600060	NUT, PUSH-ON SPRING	M6		3		
703	33	19556112500GB	FRAME COMP , HOOD			1		
703	34	V2183608025	BOLT , HEX/SP	M8X25		16		
703	34	V3802600080	NUT , HEX FLANGE			12		
703	35	V2183608030	BOLT , HEX/SP	M8X30		10		
703	36	18716112700GB	FRAME COMP , FRONT			1		
NOTE								

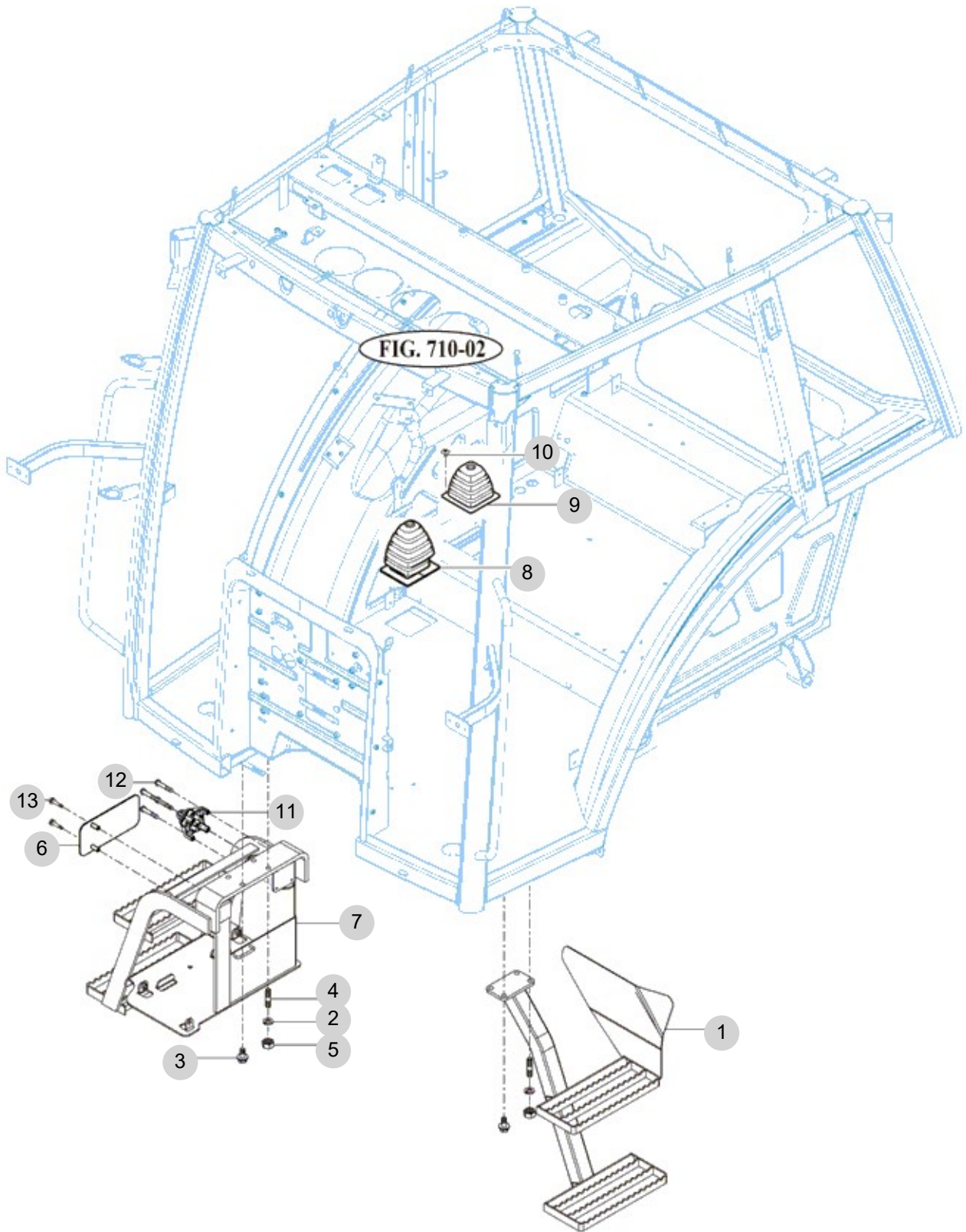
FIG 704

T1104SPEUA

STEP & BOOTS

년/월
Year/Month

2022-12



NOTE

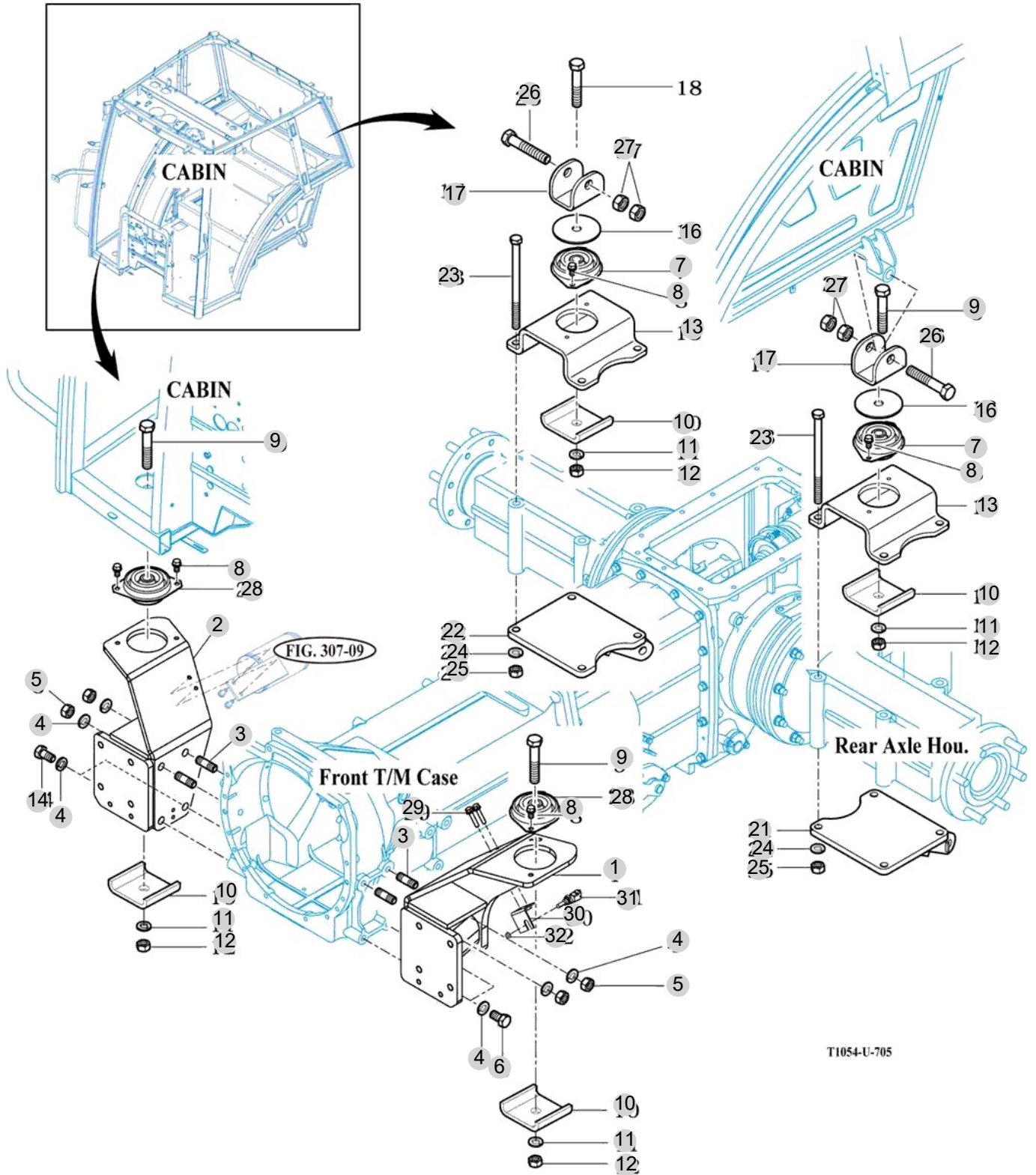
FIG 705

FRONT & REAR MOUNTING

년/월
Year/Month

2022-12

T1104SPEUA



T1054-U-705

NOTE

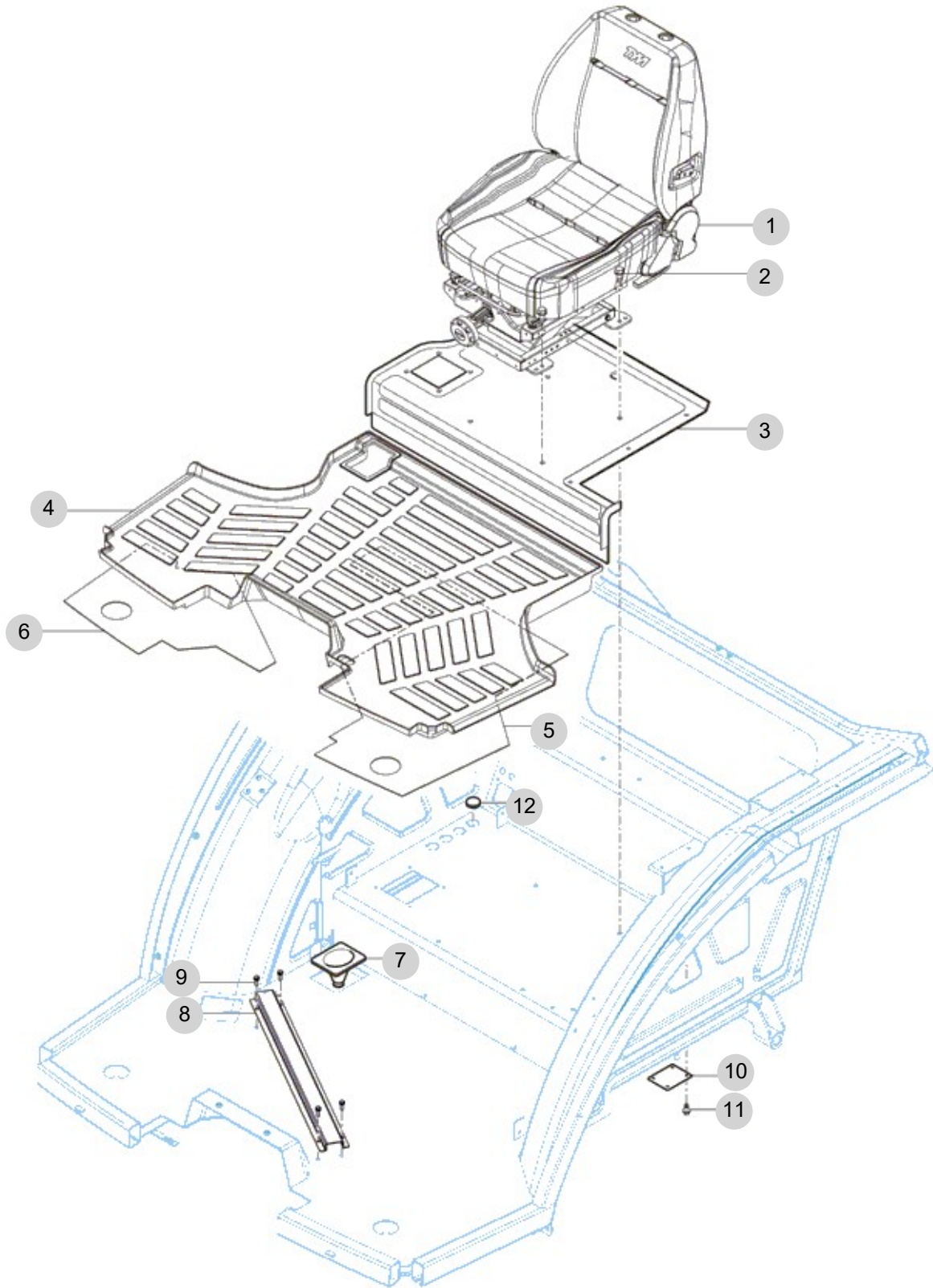
FIG 706

SEAT & MAT

년/월
Year/Month

2022-12

T1104SPEUA



NOTE

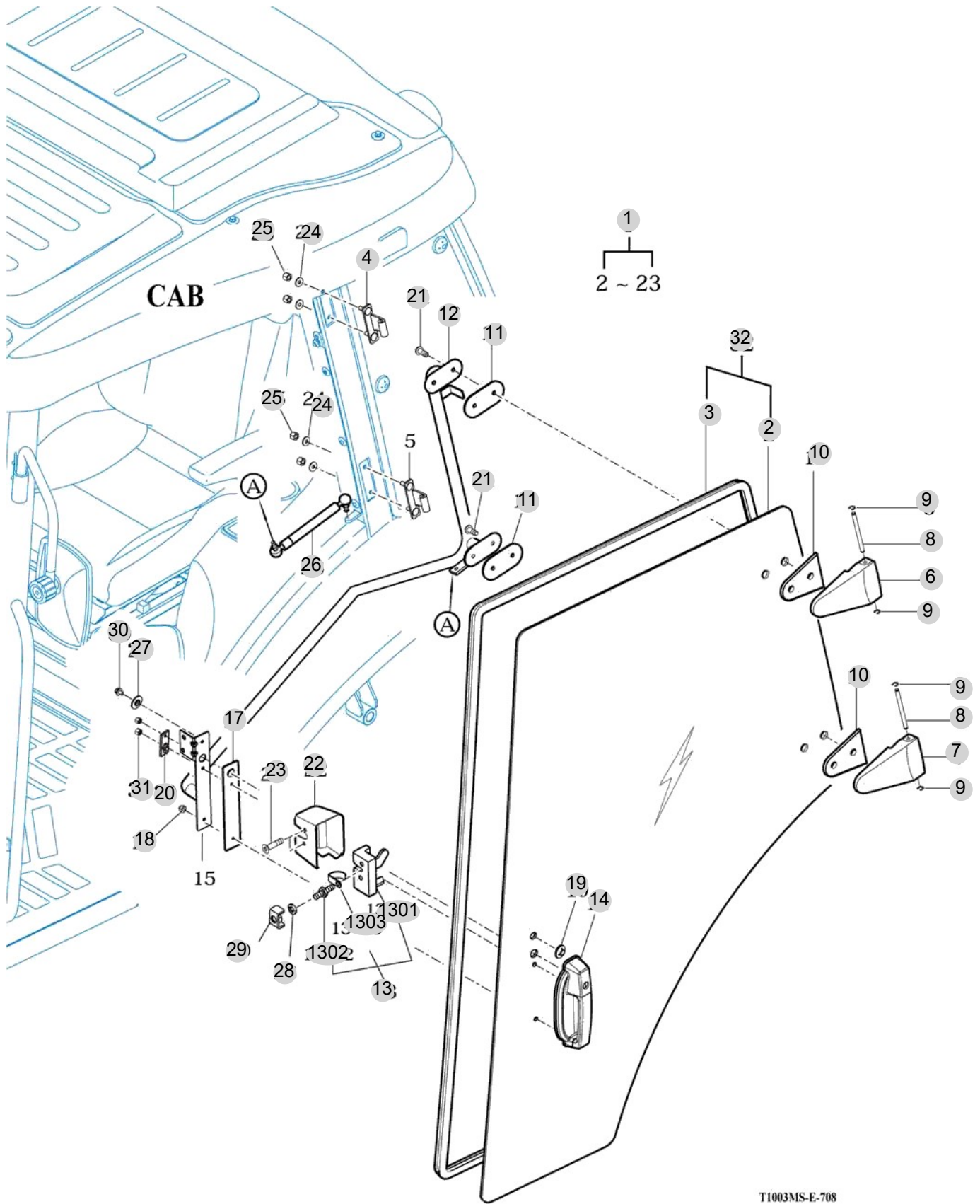
FIG 708

DOOR-LH

년/월
Year/Month

2022-12

T1104SPEUA



T1003MS-E-708

NOTE

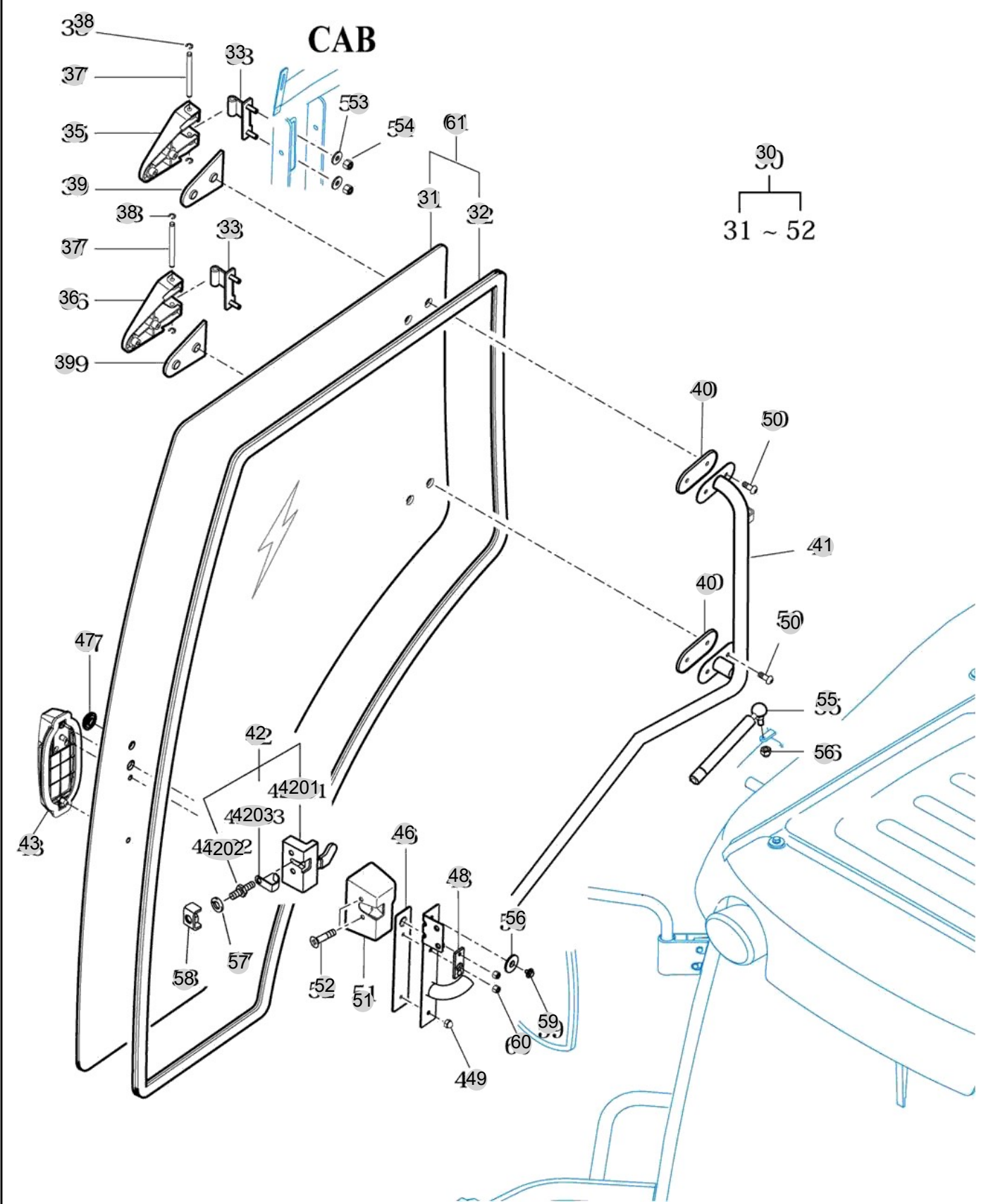
FIG 709

DOOR-RH

년/월
Year/Month

2022-12

T1104SPEUA



NOTE

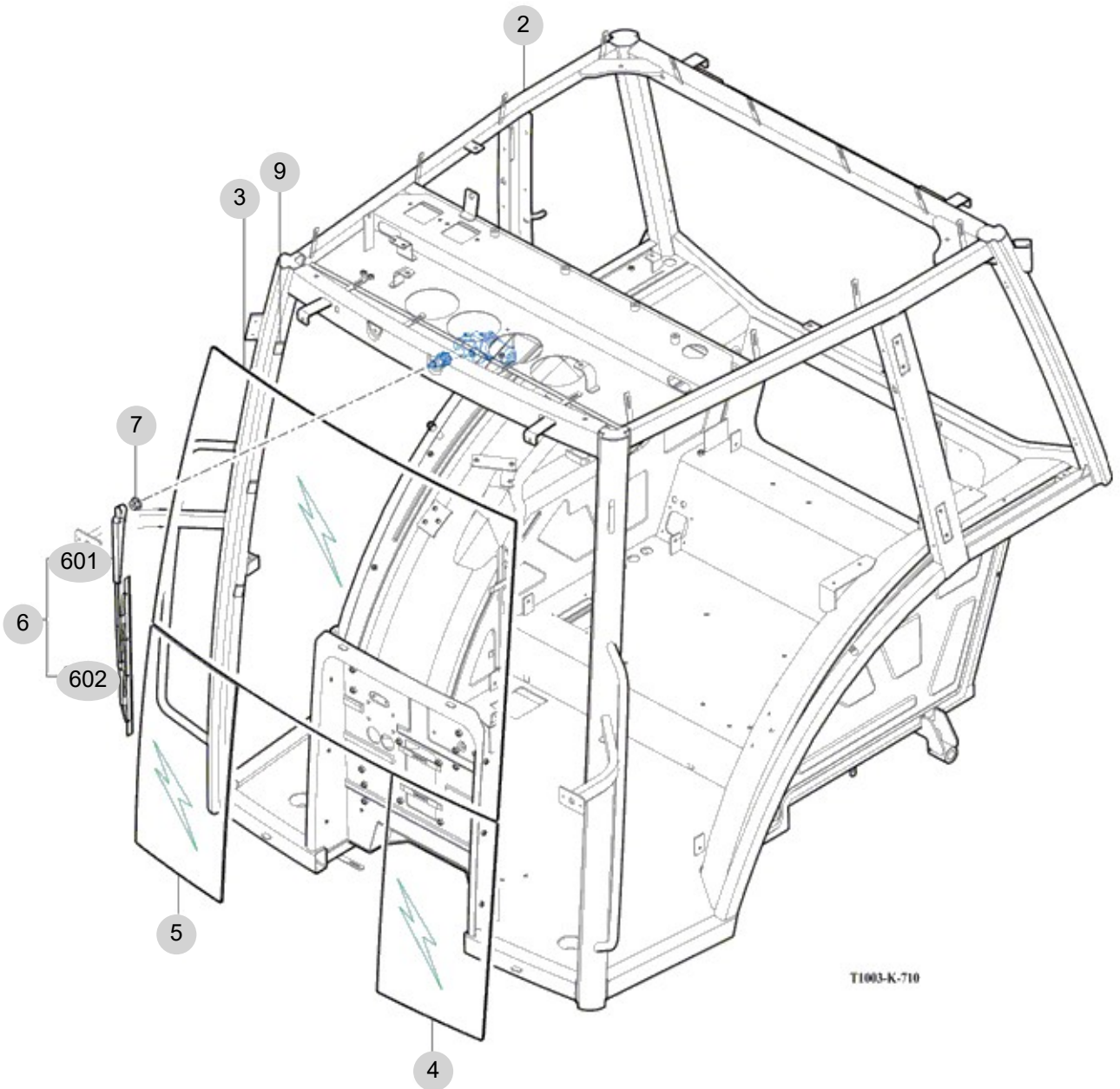
FIG 710

T1104SPEUA

FRAME COMP & FRONT GLASS

년/월
Year/Month

2022-12



T1003-K-710

NOTE

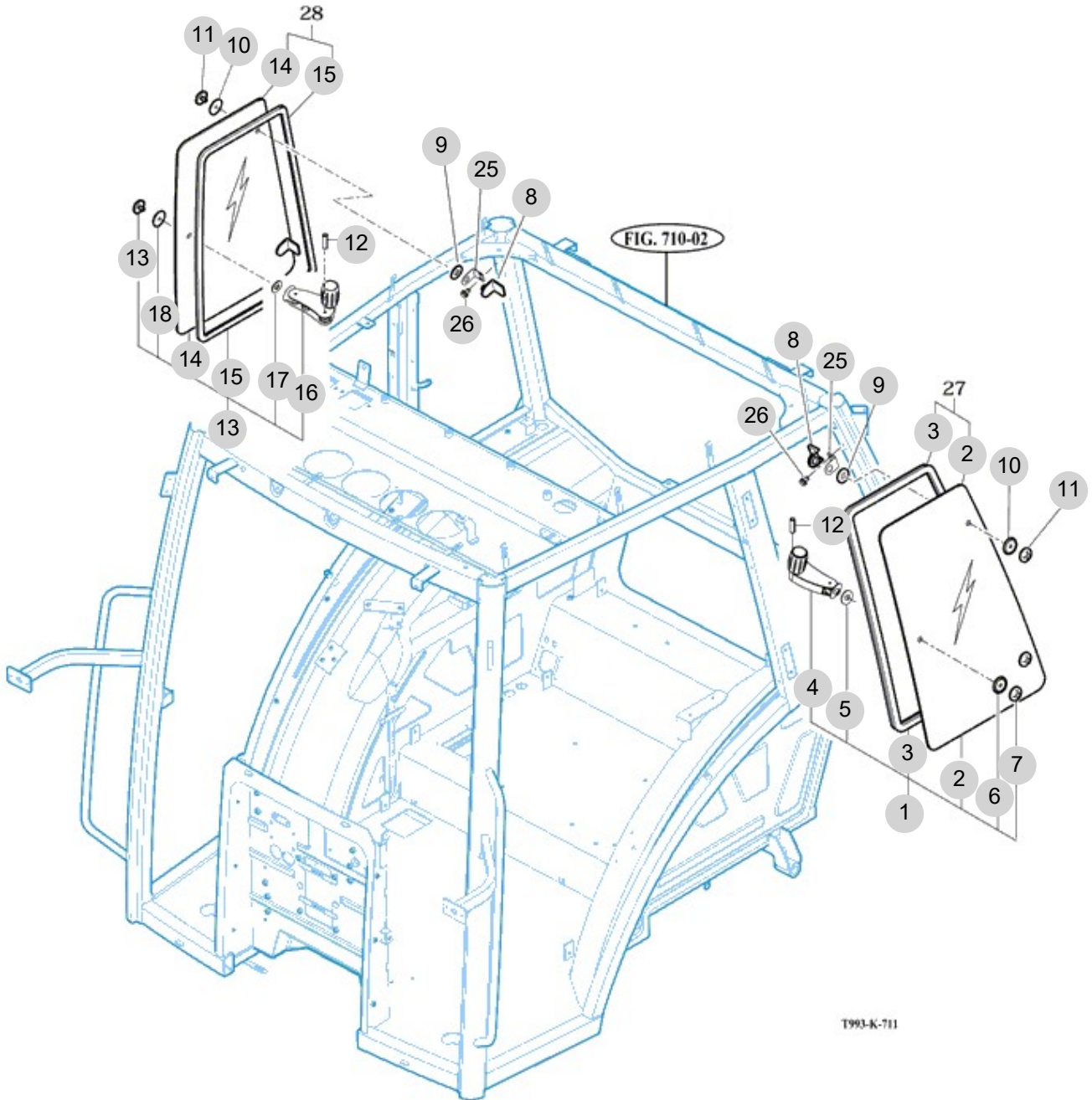
FIG 711

T1104SPEUA

SIDE GLASS

년/월
Year/Month

2022-12



1993-K-711

NOTE

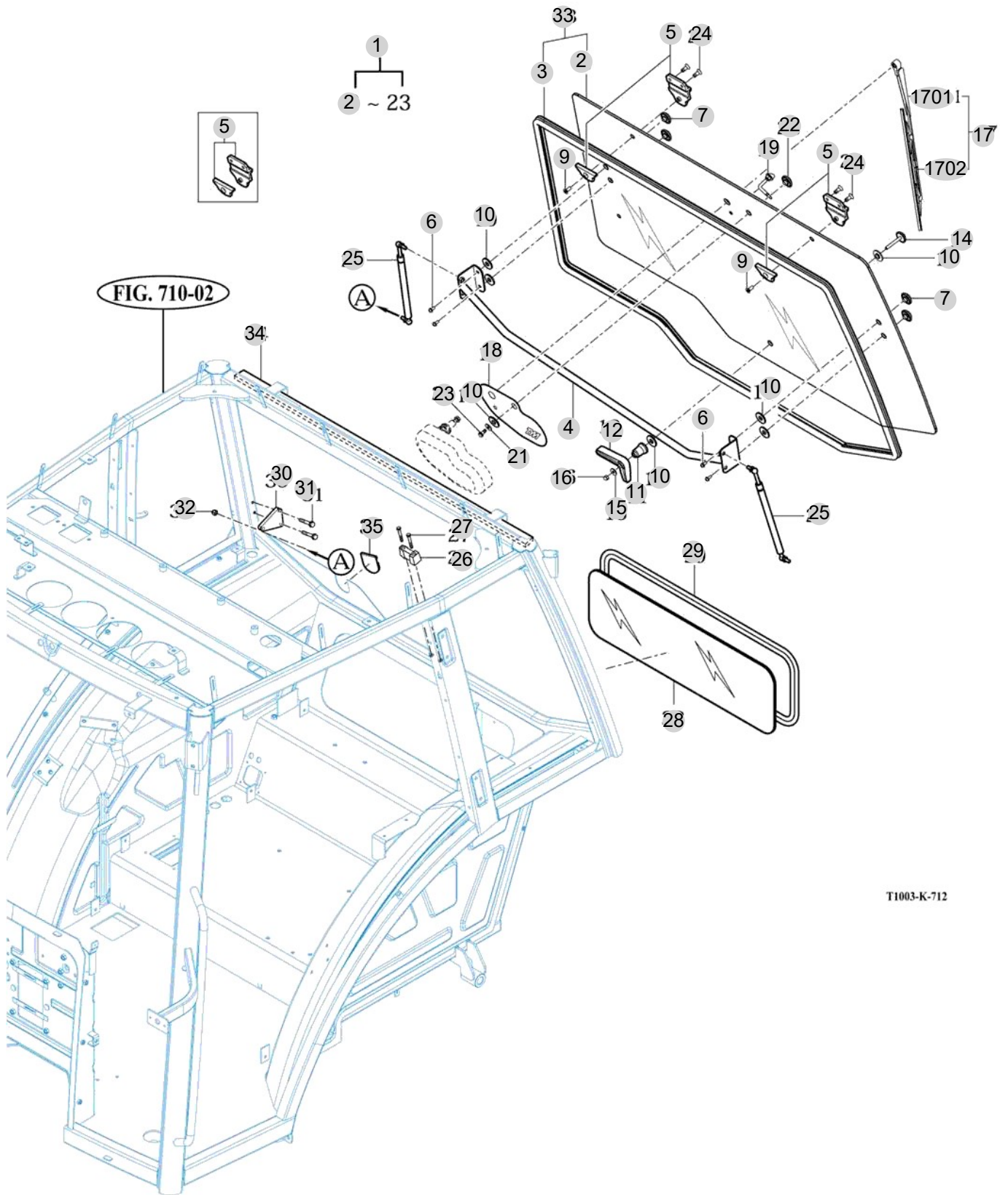
FIG 712

T1104SPEUA

REAR GLASS

년/월
Year/Month

2022-12



T1003-K-712

NOTE

FIG 712 T1104SPEUA		REAR GLASS						년/월 Year/Month	
								2022-12	
KEY NO	PART NO	DESCRIPTION	SPEC	QTY	REPAIR	EFFECTIVE DATE	REMARKS		
712	1	18507722000	GLASS SUB , RR WINDOW				1		
712	1	18737722000	GLASS SUB , RR WINDOW				1		
712	2	18507722010	GLASS , REAR				1		
712	3	18507722020	INSULATOR , GLASS REAR				1		
712	4	19027722202GB	FRAME COMP, RR GLASS	1X1X1			1		
712	5	17407401120	HINGE ASSY . WINDOW	1X1X1			2		
712	6	V1222806016	SCREW , C/R PAN/SP	M6X16			4		
712	7	14527042500	NUT COMP , GLASS	1X1X1			4		
712	9	V1122808020	SCREW , C/R FLAT	M8X20			2		
712	10	15817401130	GROMMET , 13X17X02				7		
712	11	14527042140	SPACE , HANDLE/REAR	N6			1		
712	12	14527042150	HANDLE , GLASS/REAR	N6			1		
712	14	14527042600	BOLT COMP, GLASS /M8L	1X1X1			1		
712	15	21447350060	WASHER , 08X22X02	T=2.3			1		
712	16	19027722070	NUT , CAP	M8			1		
712	17	16997023200	ARM & WIPER , ASSY				1		
712	1701	16997023210	ARM , WIPER				1		
712	1702	16997023220	BLADE ASSY	1X1X1			1		
712	18	17687030031	LABEL , COVER	T=0.08			1		
712	18	17677030030	LABEL , COVER				1		
712	19	16997027700	NOZZLE SET				1		
712	21	35605033020	WASHER , WIRE WITHDRAWAL	T=1.6			1		
712	22	14527042500	NUT COMP , GLASS	1X1X1			1		
712	23	V2193606020	BOLT , HEX/SPL	M6X20			1		
712	24	V1122808020	SCREW , C/R FLAT	M8X20			4		
712	25	19027722051	SPRING ASSY , REAR	1X1X1			2		
712	26	14527040050	STOPPER , RR/LOCK	N6			1		
712	27	V1112806040	SCREW , C/R PAN	M6X40			2		
712	28	18507723010	GLASS , WINDOW REAR LOW				1		
712	29	19027723020	INSULATOR , REAR GLASS/LOW				1		
712	30	19027720010GB	PLATE, HINDGE	T=4.5			2		
712	31	V1222806025	SCREW , C/R PAN/SP	M6X25			4		
712	32	19027722070	NUT , CAP	M8			2		
712	33	18507722100	GLASS ASSY , REAR				1		
712	34	19027721110	INSULATOR , RR GLASS	20X1170X5			1		
712	35	10017042010	CAP , GLASS/REAR	1X1X1			1		
NOTE									

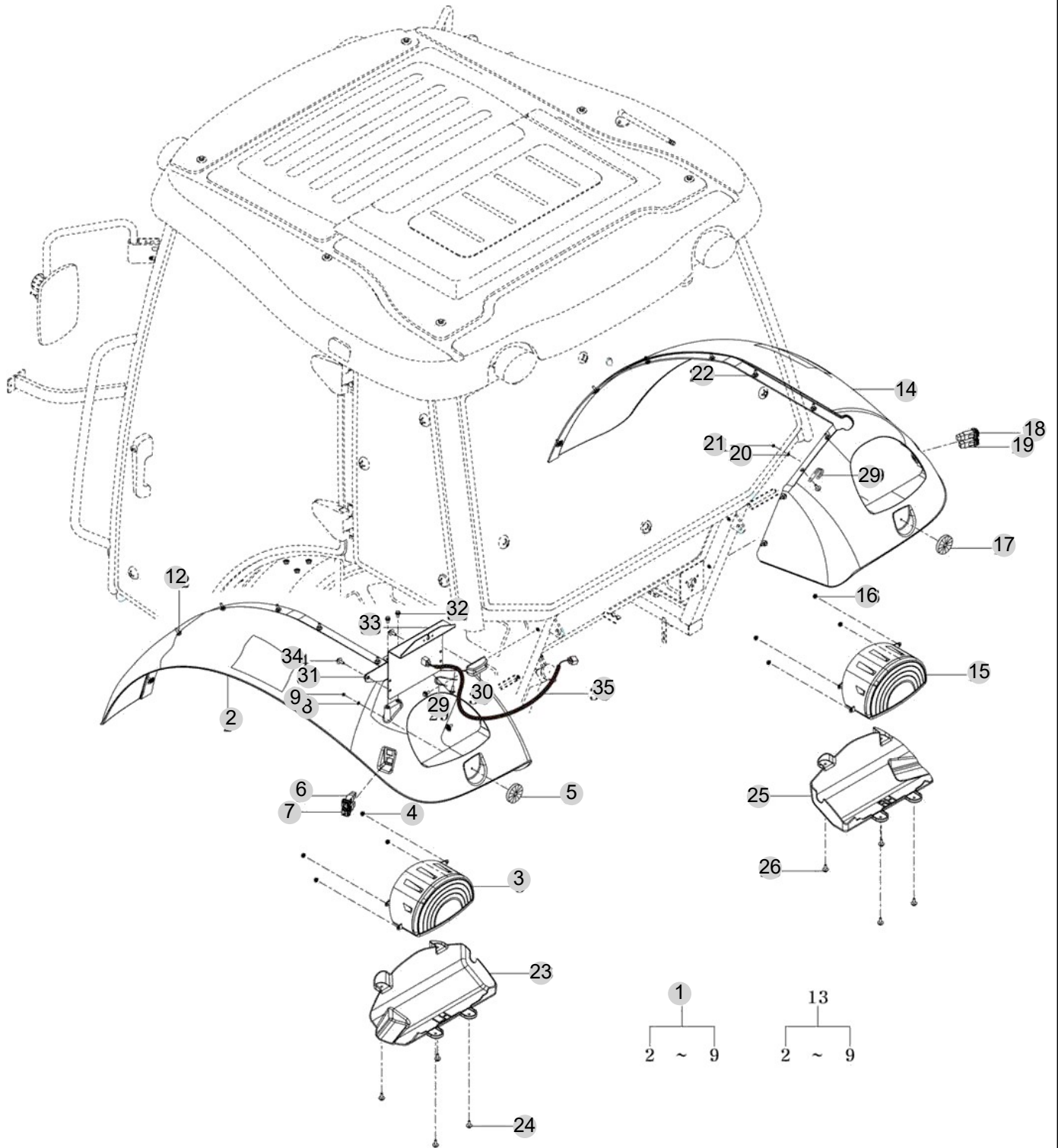
FIG 713

SUB FENDER & COVER

년/월
Year/Month

T1104SPEUA

2022-12



NOTE

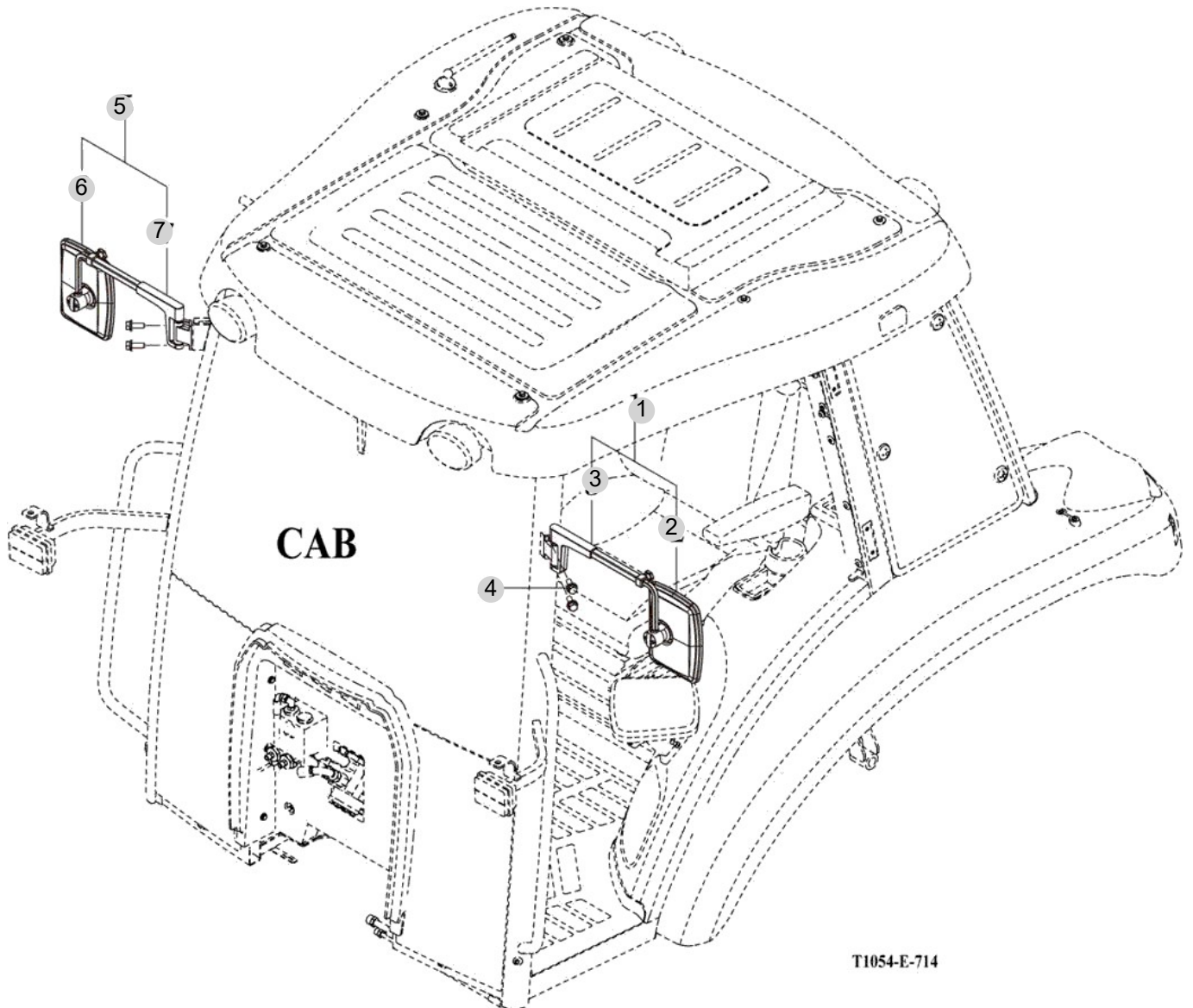
FIG 714

REARVIEW MIRRORS

년/월
Year/Month

T1104SPEUA

2022-12



NOTE

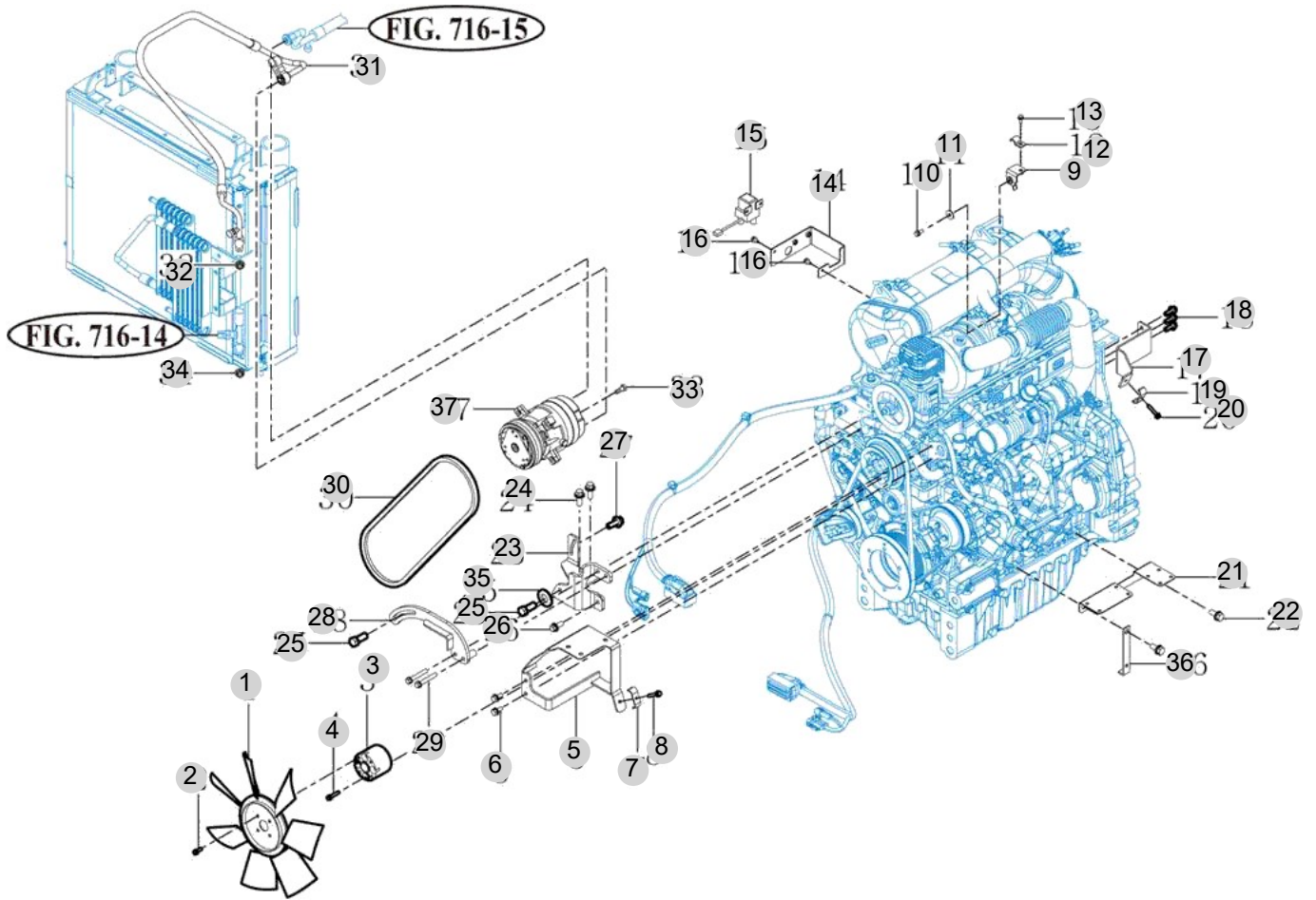
FIG 715

HEATER & AIR-CON (1)

년/월
Year/Month

2022-12

T1104SPEUA



NOTE

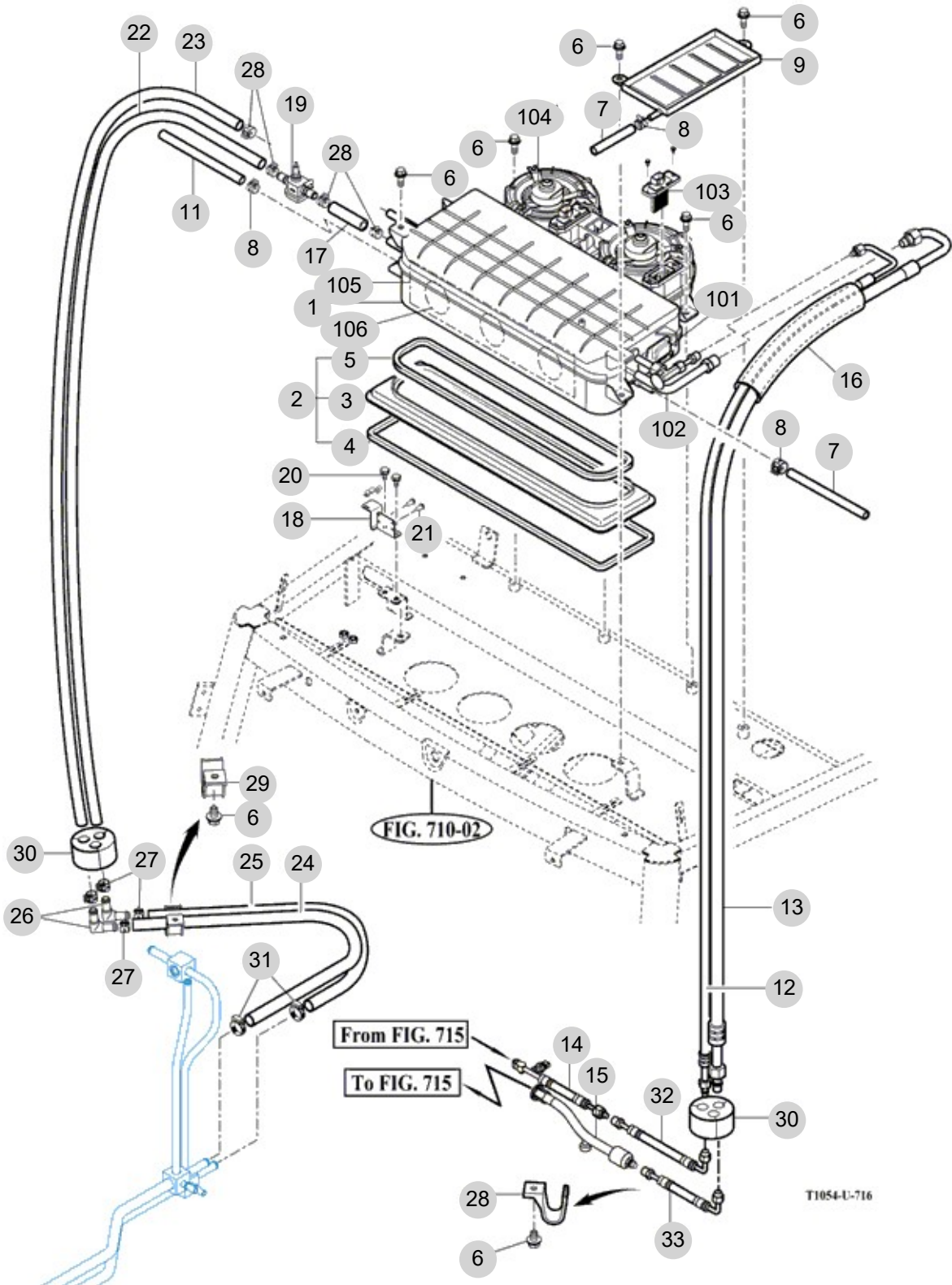
FIG 716

HEATER & AIR-CON (2)

년/월
Year/Month

T1104SPEUA

2022-12



NOTE

FIG 716 T1104SPEUA	HEATER & AIR-CON (2)	년/월 Year/Month
		2022-12

KEY NO	PART NO	DESCRIPTION	SPEC	QTY	REPAIR	EFFECTIVE DATE	REMARKS
716	1	12427082411	HVAC ASSY	1X1X1	1		
716	101	14528304000	THERMOSTAT ASSY	1X1X1	1		
716	102	14528303000	EXPANSION VALVE ASSY	1X1X1	1		
716	103	14528302850	RESISTOR ASSY	1X1X1	2		
716	104	14528302001	MOTOR , BLOW(4900RPM)	1X1X1	2		
716	105	14528305100	FILTER	1X1X1	1		
716	106	14528305200	CLAMP , FILTER	1X1X1	3		
716	2	19027622300	DUCT ASSY	1X1X1	1		
716	3	19027622311	DUCT	T=3.0	1		
716	4	19027622320	INSULATOR , DUCT LOW	1X1X1	1		
716	5	19027622330	INSULATOR , DUCT UPR	1X1X1	1		
716	6	V2183608020	BOLT , HEX/SP	M8X20	9		
716	7	19027620031	HOSE , DRAIN(2200)	1X1X1	2		
716	8	14527081170	CLAMP,HOSE/148	T=1	3		
716	9	14527080051	PLATE, DRAIN	1	1		
716	11	14527081140	HOSE, DRAIN /B	1X1X1	1		
716	12	19027622041	LIQ HOSE ASSY , NO4	1X1X1	1		
716	13	19027622051	SUC HOSE ASSY , NO3	1X1X1	1		
716	14	18718302400	LIQ HOSE ASSY , NO3		1		
716	15	18717622071	SUC PIPE ASSY		1		
716	16	16998201771	INSULATOR , SUCTION	1X1X1	1		
716	17	19027622010	HOSE , OUT/WATER VALVE	1X1X1	1		
716	18	14527082310	BRACKET, WATER VALVE	1.6T	1		
716	19	17688202100	VALVE ASSY , WATER	1X1X1	1		
716	20	V2123606020	BOLT , HEX /SP	M6X20	2		
716	21	V1902604008	SCREW , TAPPING C/R PAN	M4X8	2		
716	22	14527081130	HOSE, OUT / HEAT CORE	1X1X1	2		
716	23	19027620020	HOSE , OUT/HEAT CORE	1X1X1	1		
716	24	18717081131	HOSE , ENGINE/IN		1		
716	25	18717620011	HOSE , ENGINE/OUT		1		
716	26	17688200050	ELBOW , 90		2		
716	27	14527081160	CLAMP,HOSE/19.3	T=1.2	4		
716	28	16601850160	BAND CLAMP 22	1X1X1	4		
716	29	14527081750	CLAMP,HOSE/AIRCON	1X1X1	2		
716	30	14527081260	SEAL,PIPE	1X1X1	2		
716	31	36503050020	BAND CLAMP 32		2		
716	32	18717622061	LIQ HOSE ASSY , NO2		1		
716	33	14527081240	HOSE ASSY, SUC.2	1X1X1	1		

NOTE	
------	--

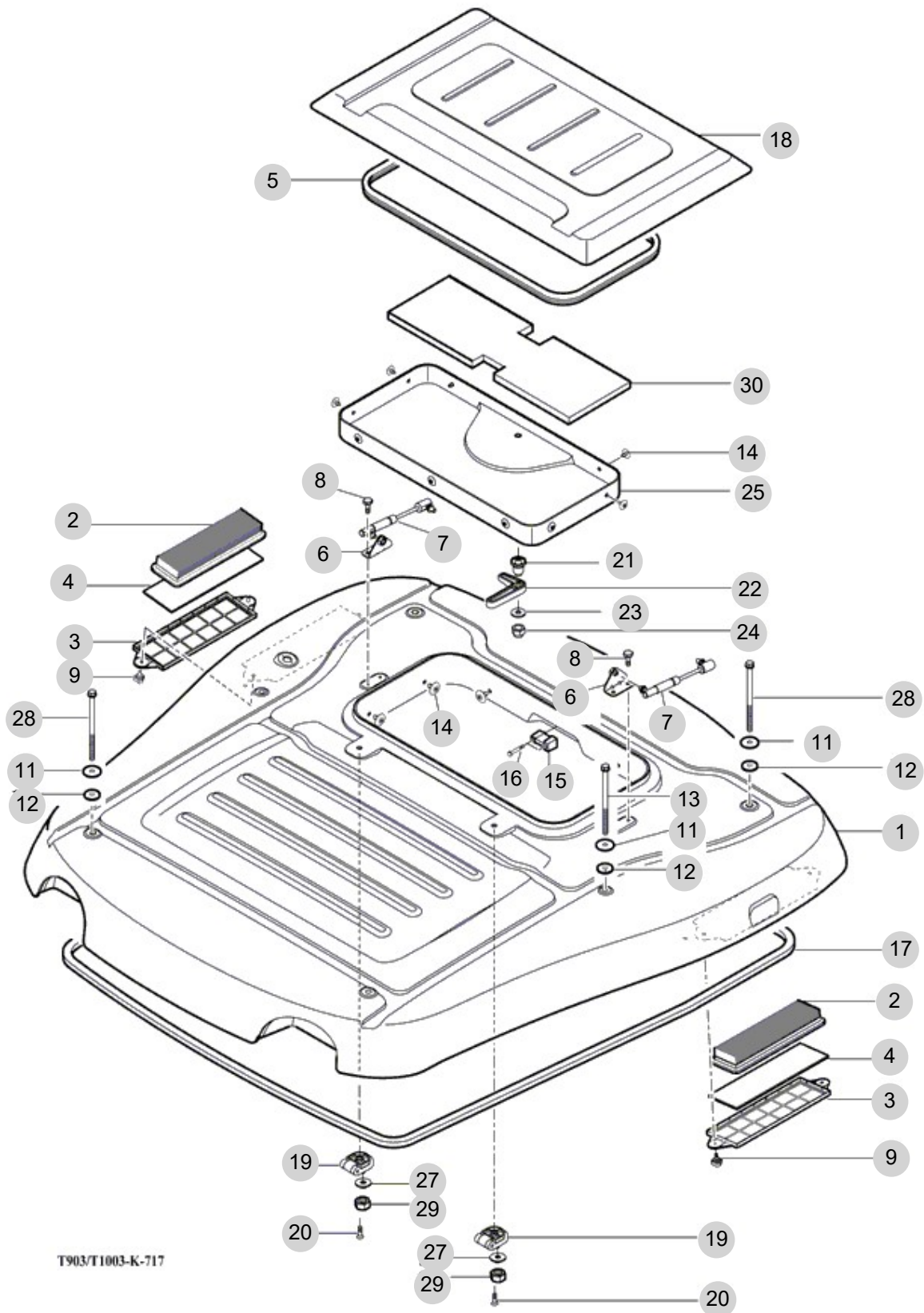
FIG 717

T1104SPEUA

ROOF

년/월
Year/Month

2022-12



T903/T1003-K-717

NOTE

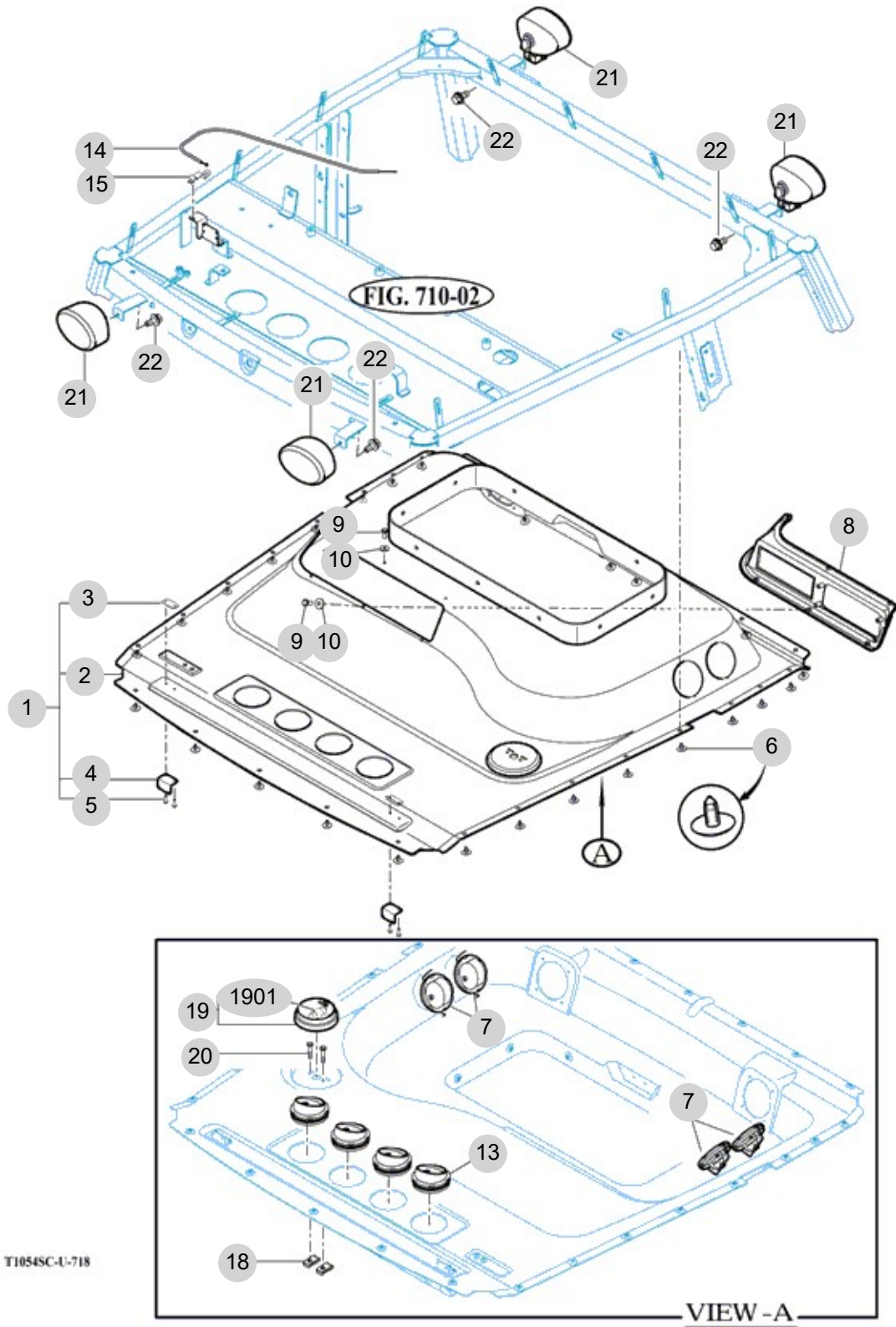
FIG 718

CABIN INTERIOR

년/월
Year/Month

T1104SPEUA

2022-12



T1054SC-U-718

VIEW - A

NOTE

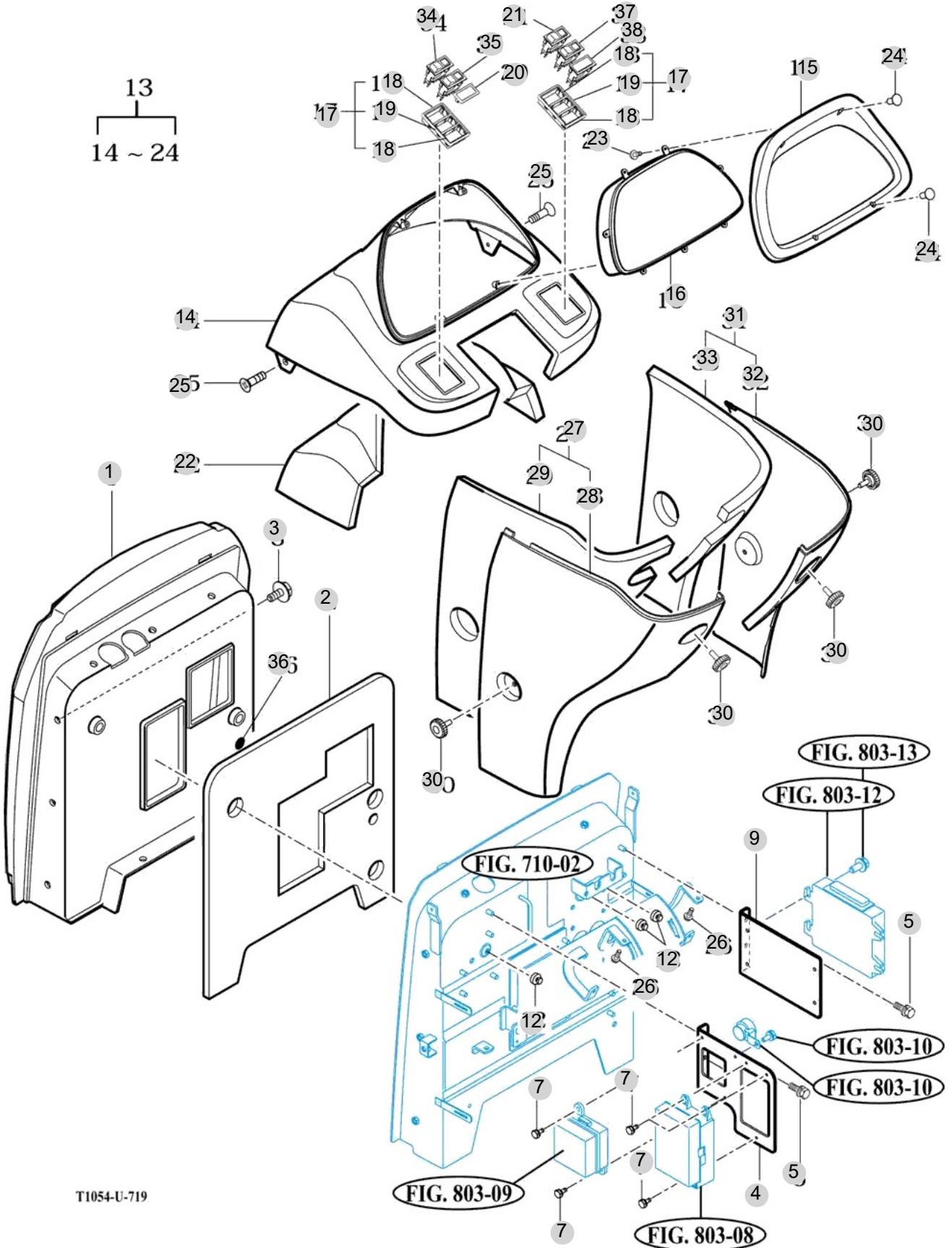
FIG 719

DASHCOVER

년/월
Year/Month

2022-12

T1104SPEUA



T1054-U-719

NOTE

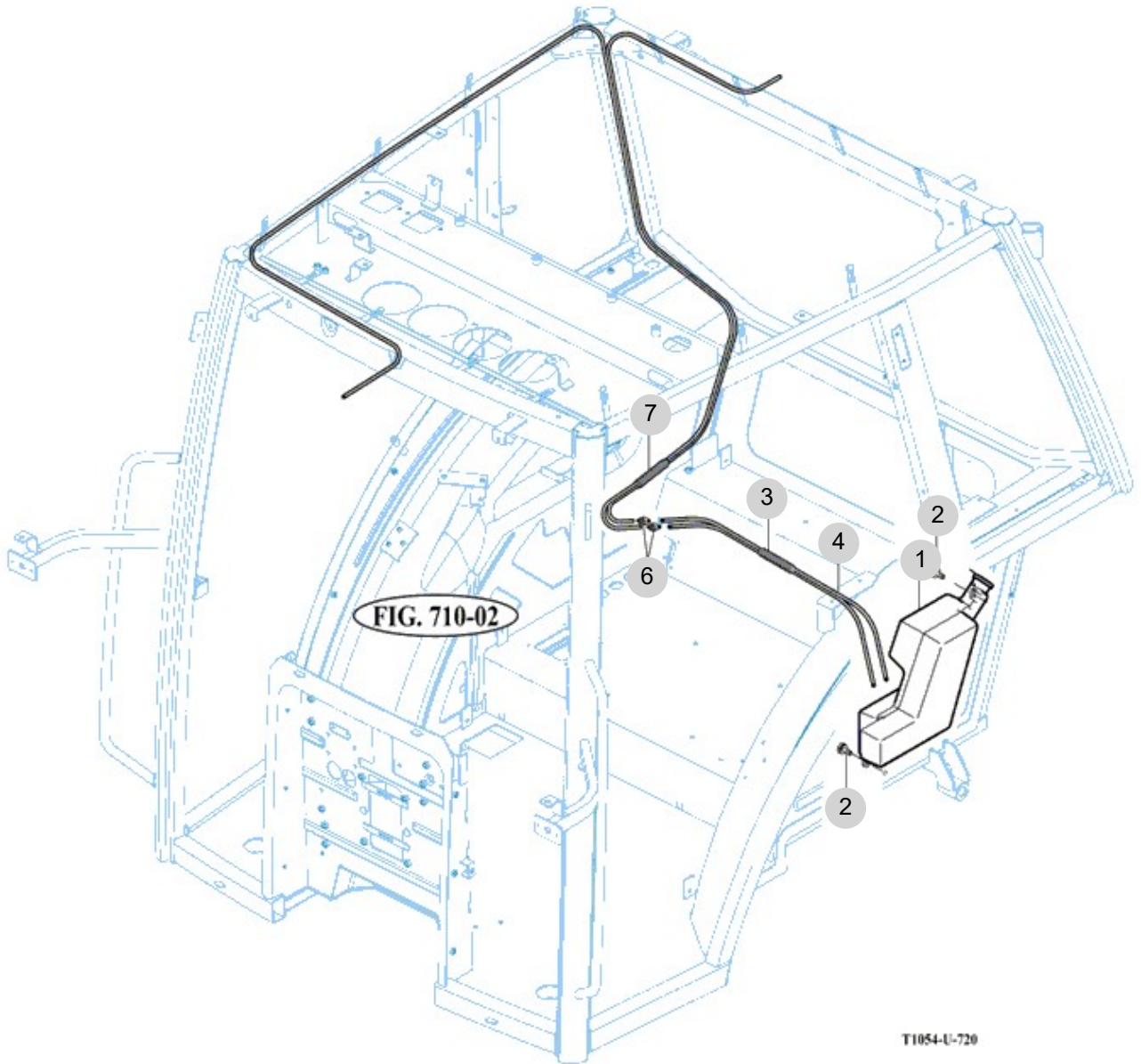
FIG 720

T1104SPEUA

TANK ASSY, WASH

년/월
Year/Month

2022-12



NOTE

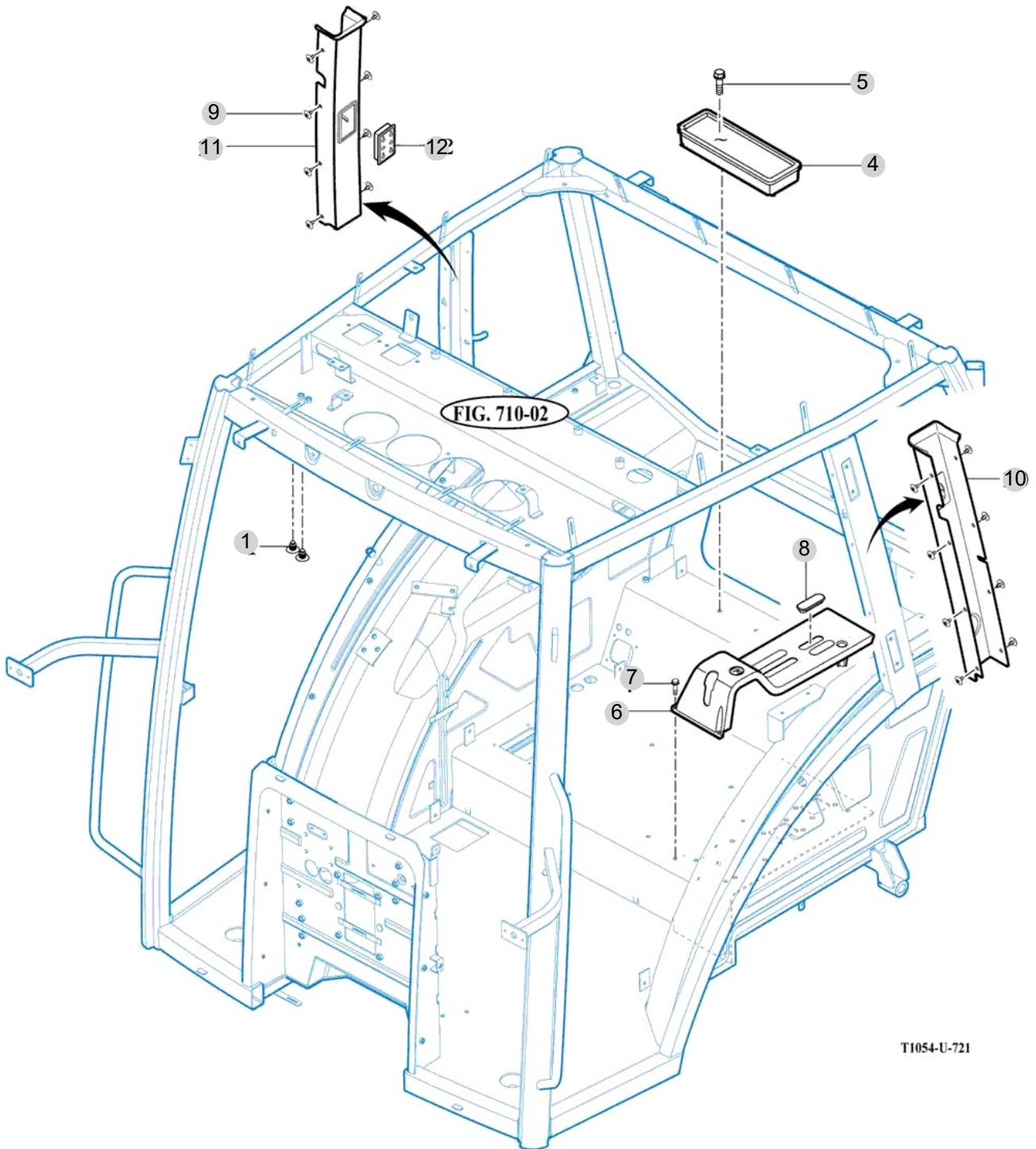
FIG 721

T1104SPEUA

ROOM MIRROR ASSY

년/월
Year/Month

2022-12



T1054-U-721

NOTE

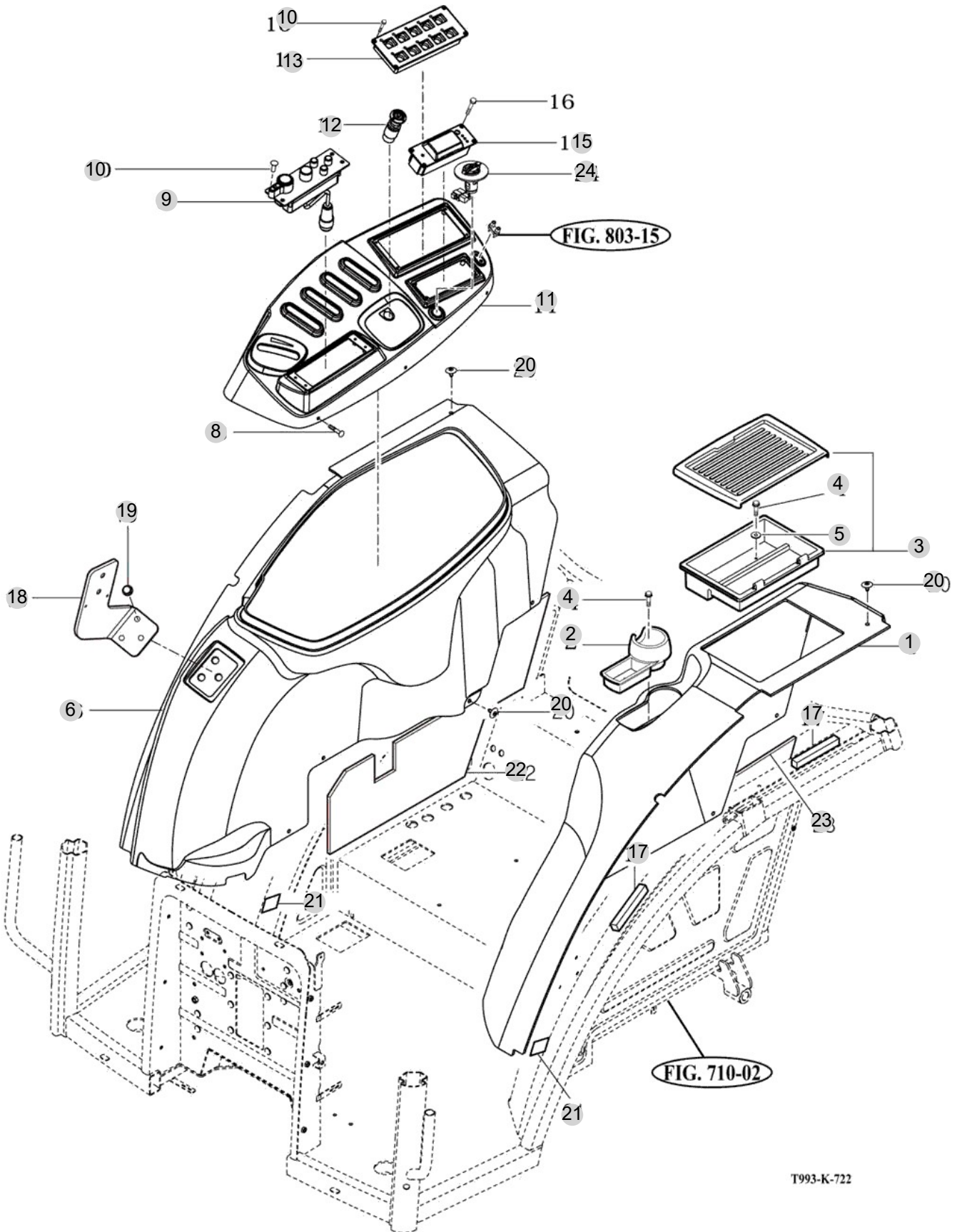
FIG 722

COVER-FENDER&JOYSTICK LEVER

년/월
Year/Month

2022-12

T1104SPEUA



T993-K-722

NOTE

8. Electrical System PART NO. T8

FIG 801 BATTERY & MOUNTING	268
FIG 802 ELECTRIC SYSTEM (1)	270
FIG 803 ELECTRIC SYSTEM (2)	272
FIG 804 ELECTRIC SYSTEM (3)	274
FIG 805 ELECTRIC SYSTEM (4)	276
FIG 806 ELECTRIC SYSTEM (5)	278
FIG 807 ELECTRIC SYSTEM (5)	280

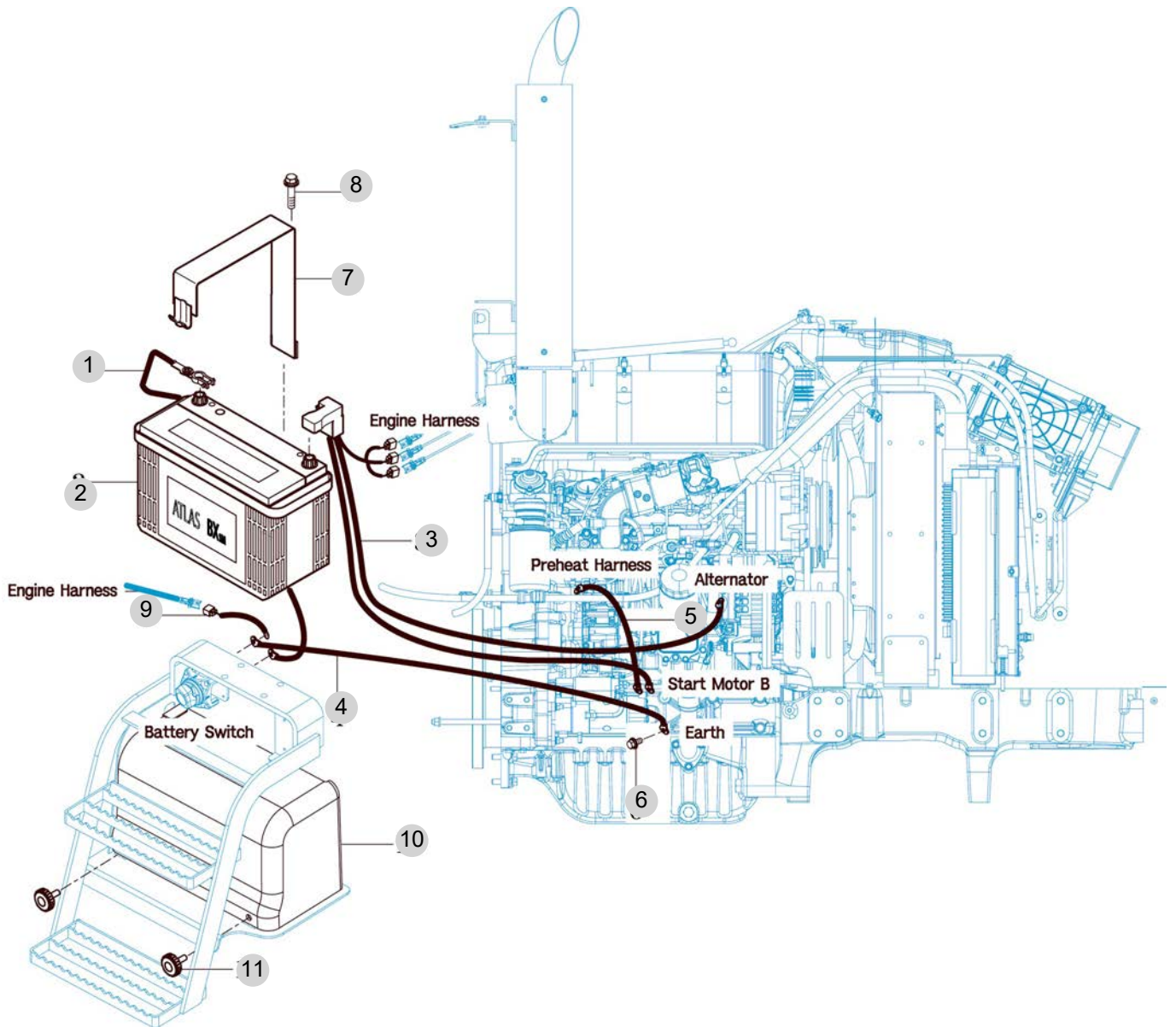
FIG 801

BATTERY & MOUNTING

년/월
Year/Month

2022-12

T1104SPEUA



NOTE

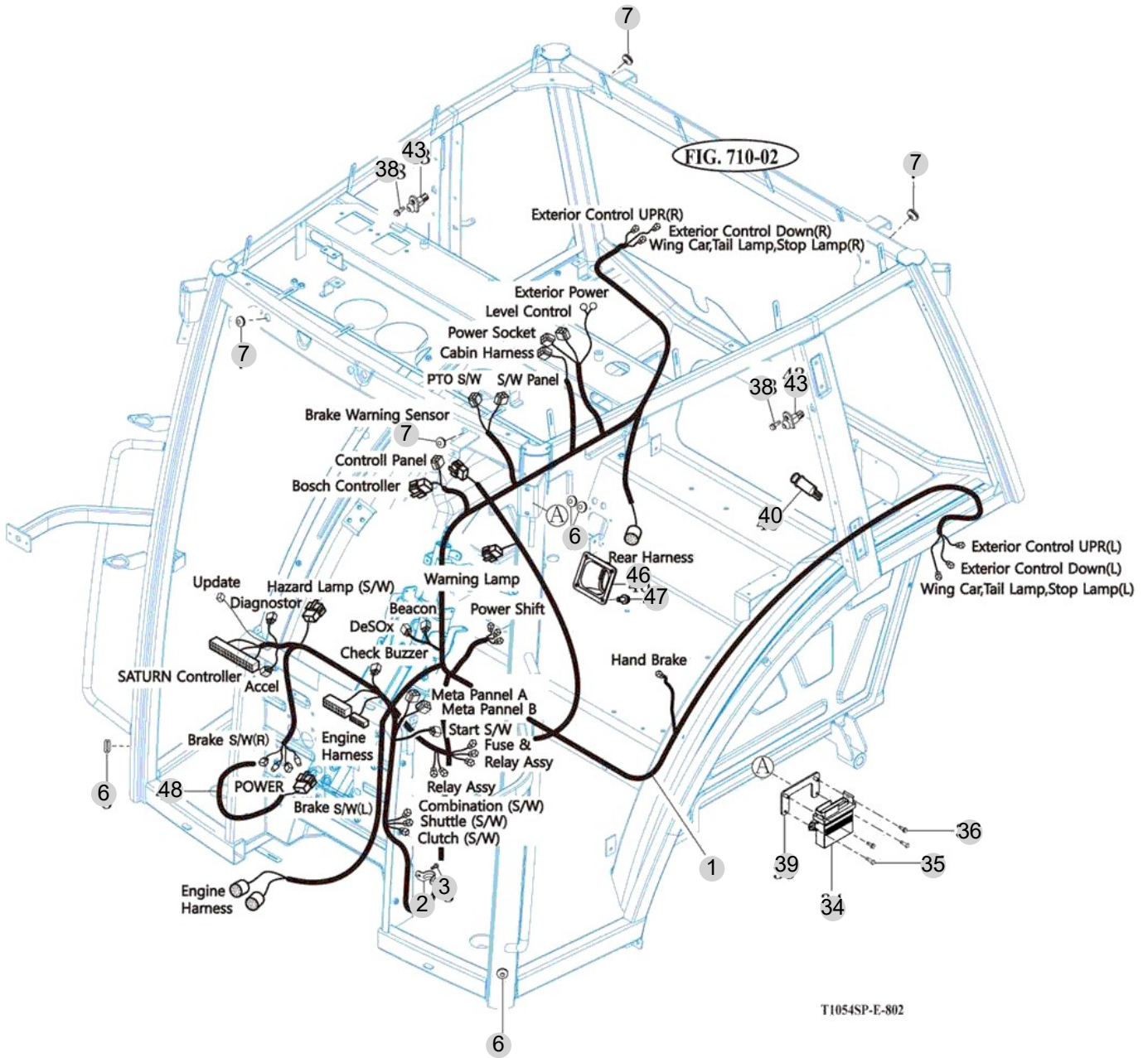
FIG 802

ELECTRIC SYSTEM (1)

년/월
Year/Month

T1104SPEUA

2022-12



NOTE

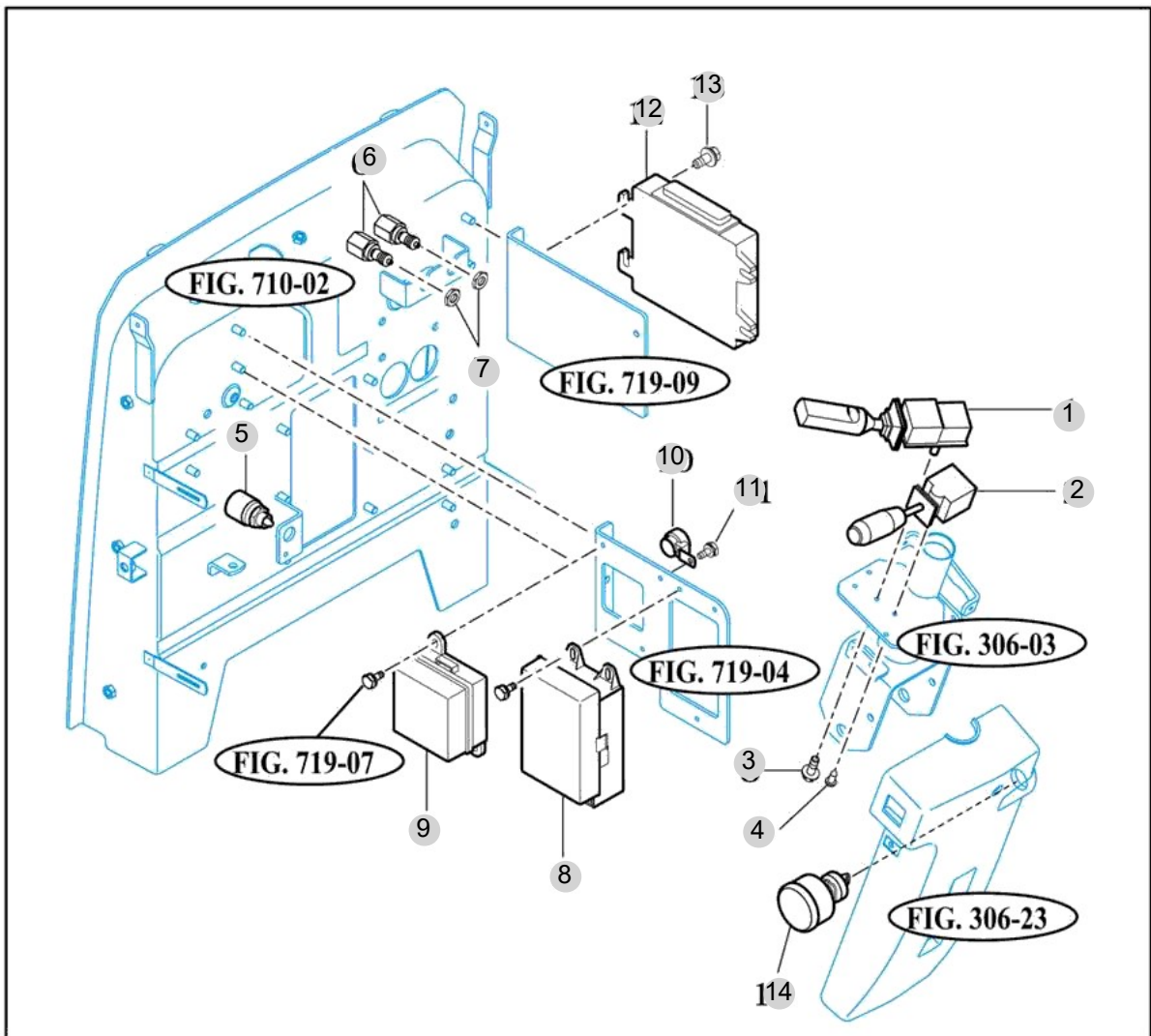
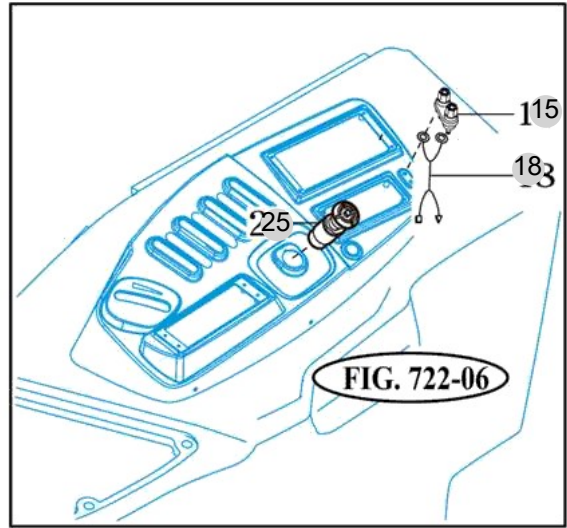
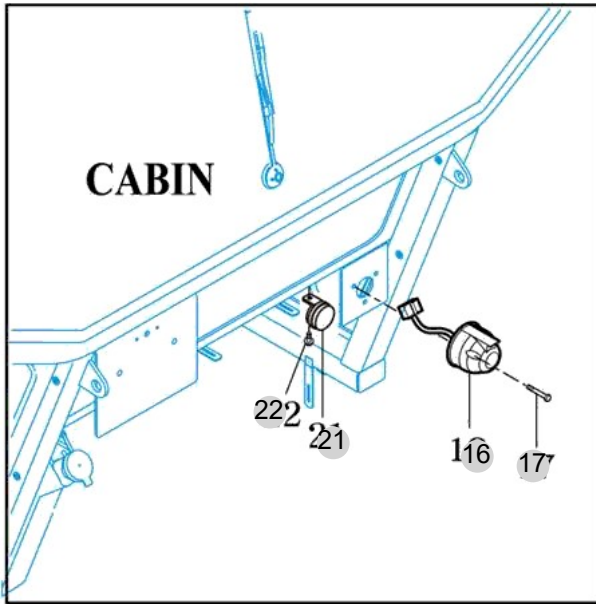
FIG 803

ELECTRIC SYSTEM (2)

년/월
Year/Month

T1104SPEUA

2022-12



T1054-E-804

NOTE

FIG 803		ELECTRIC SYSTEM (2)					년/월	
							Year/Month	
T1104SPEUA							2022-12	
KEY NO		PART NO	DESCRIPTION	SPEC	QTY	REPAIR	EFFECTIVE DATE	REMARKS
803	1	15896462100	SWITCH ASSY , SHUTTLE		1			
803	2	10016462202	SWITCH ASSY , COLUMN	1X1X1	1			
803	3	V1222604012	SCREW , C/R PAN/SP	M4X12	3			
803	4	V1902604012	SCREW , TAPPING C/R PAN	M4X12	3			
803	5	15606642500	SWITCH SET , PUSH		1			
803	6	15186213200	SWITCH ASSY , STOP LIGHT		2			
803	7	14326210061	NUT , LOCK M12	육각 B=19	2			
803	8	18716492101	CASE ASSY , FUSE		1			
803	9	19026493102	RELAY CASE ASSY	1X1X1	1			
803	10	16586652000	HORN COMP		1			
803	11	V2123606016	BOLT , HEX /SP	M6X16	1			
803	12	18806462900	CONTROLLER UNIT , FUNCTION		1			
803	13	V2183608020	BOLT , HEX/SP	M8X20	4			
803	14	15897078700	SWITCH SET,KEY		1			
803	15	19026464100	POWER TERMINAL ASSY	1X1X1	1			
803	16	13267028202	SOCKET ASSY , TRAILER		1			
803	17	V1112605035	SCREW , C/R PAN	M5X35	3			
803	18	19026803100	HARNESS, TERMINAL	1X1X1	1			
803	21	V2183608020	BOLT , HEX/SP	M8X20	1			
803	22	34522812402	BUZZER ASSY		1			
803	25	19026462301	SWITCH ASSY PTO	1X1X1	1			
NOTE								

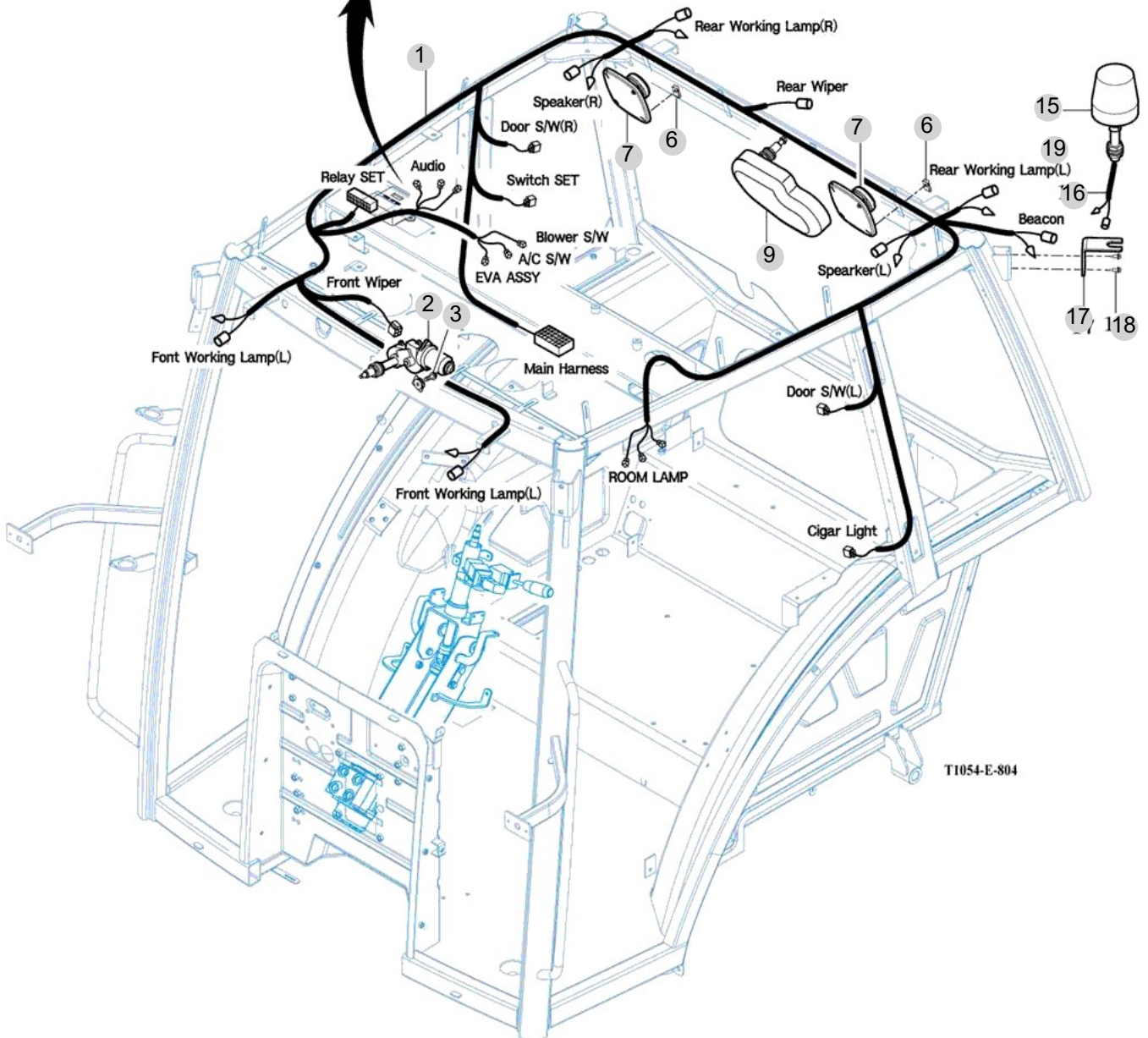
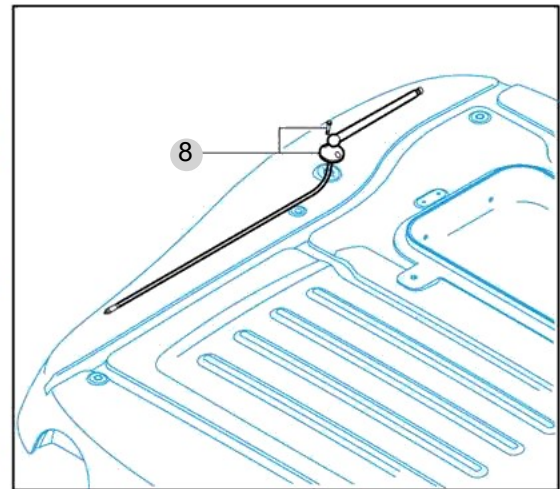
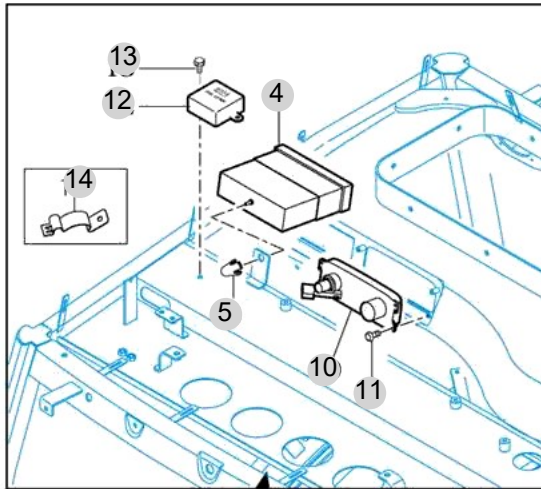
FIG 804

ELECTRIC SYSTEM (3)

년/월
Year/Month

2022-12

T1104SPEUA



T1054-E-804

NOTE

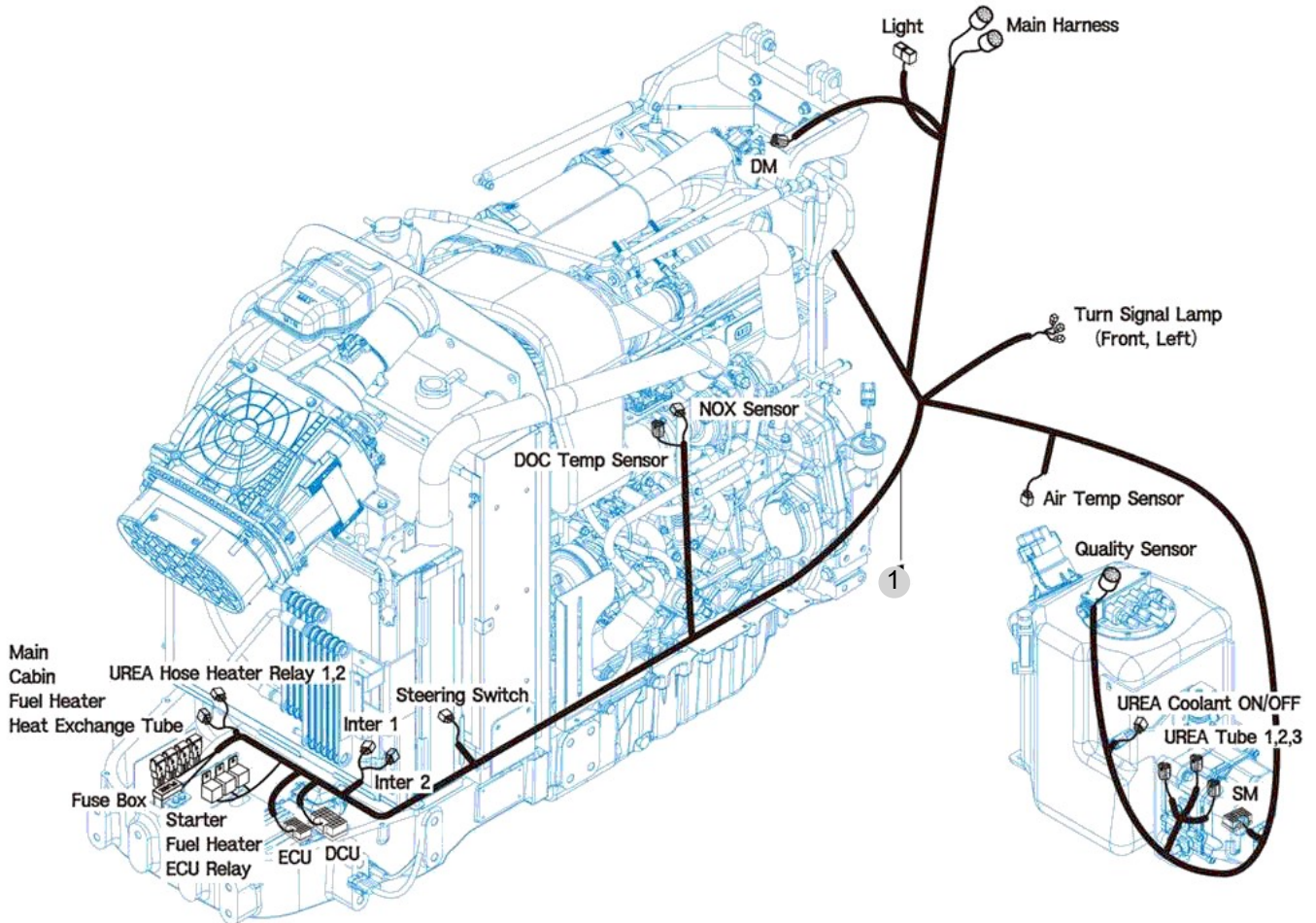
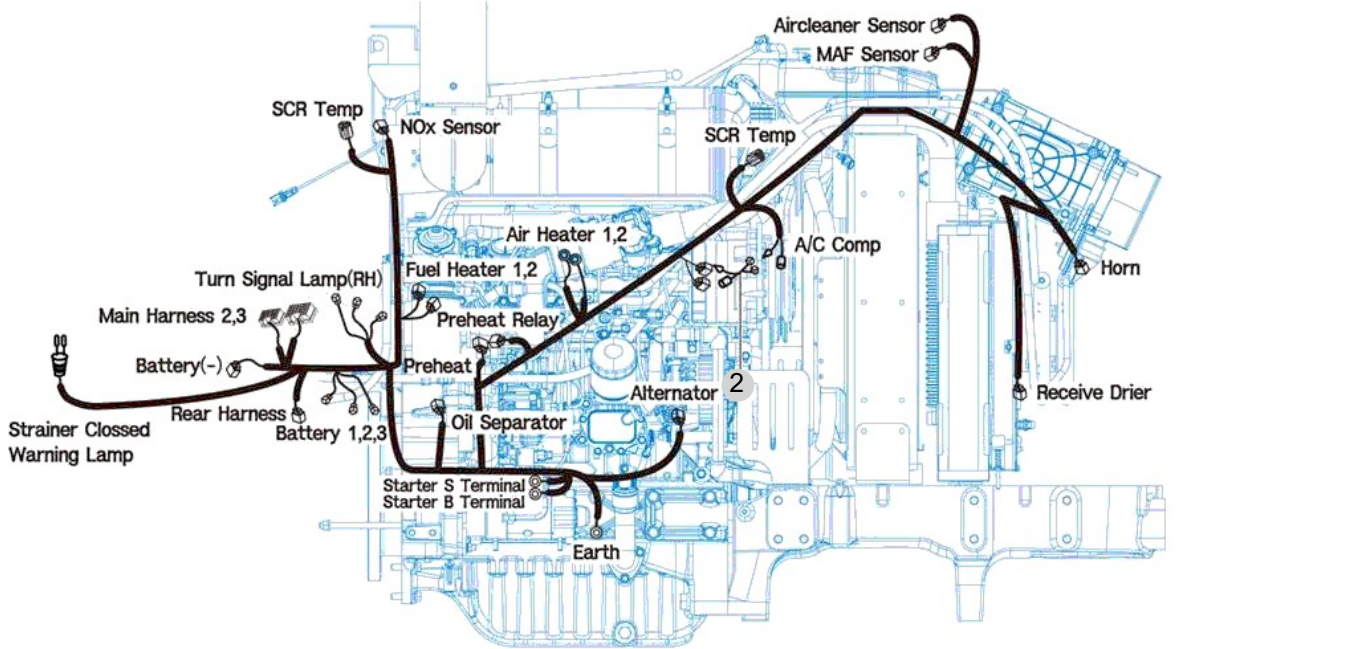
FIG 805

ELECTRIC SYSTEM (4)

년/월
Year/Month

2022-12

T1104SPEUA



NOTE

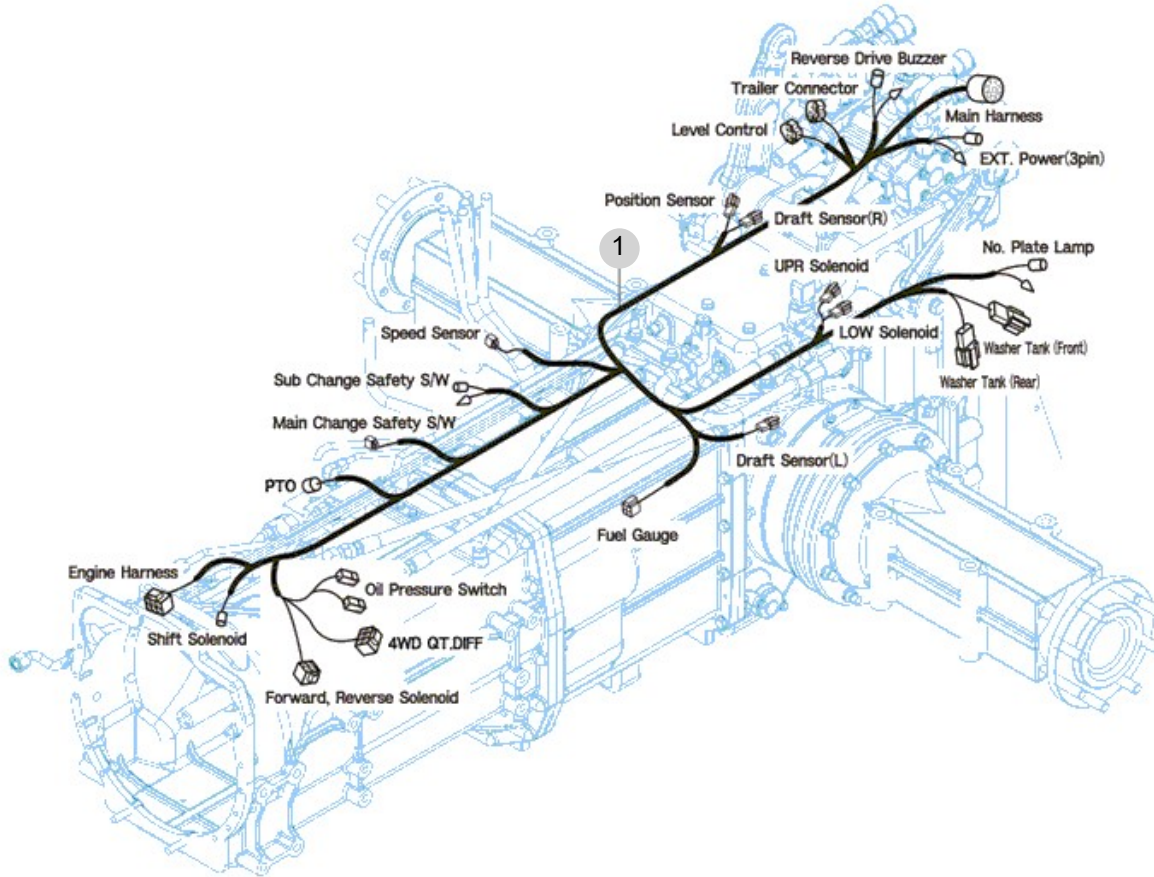
FIG 806

T1104SPEUA

ELECTRIC SYSTEM (5)

년/월
Year/Month

2022-12



NOTE

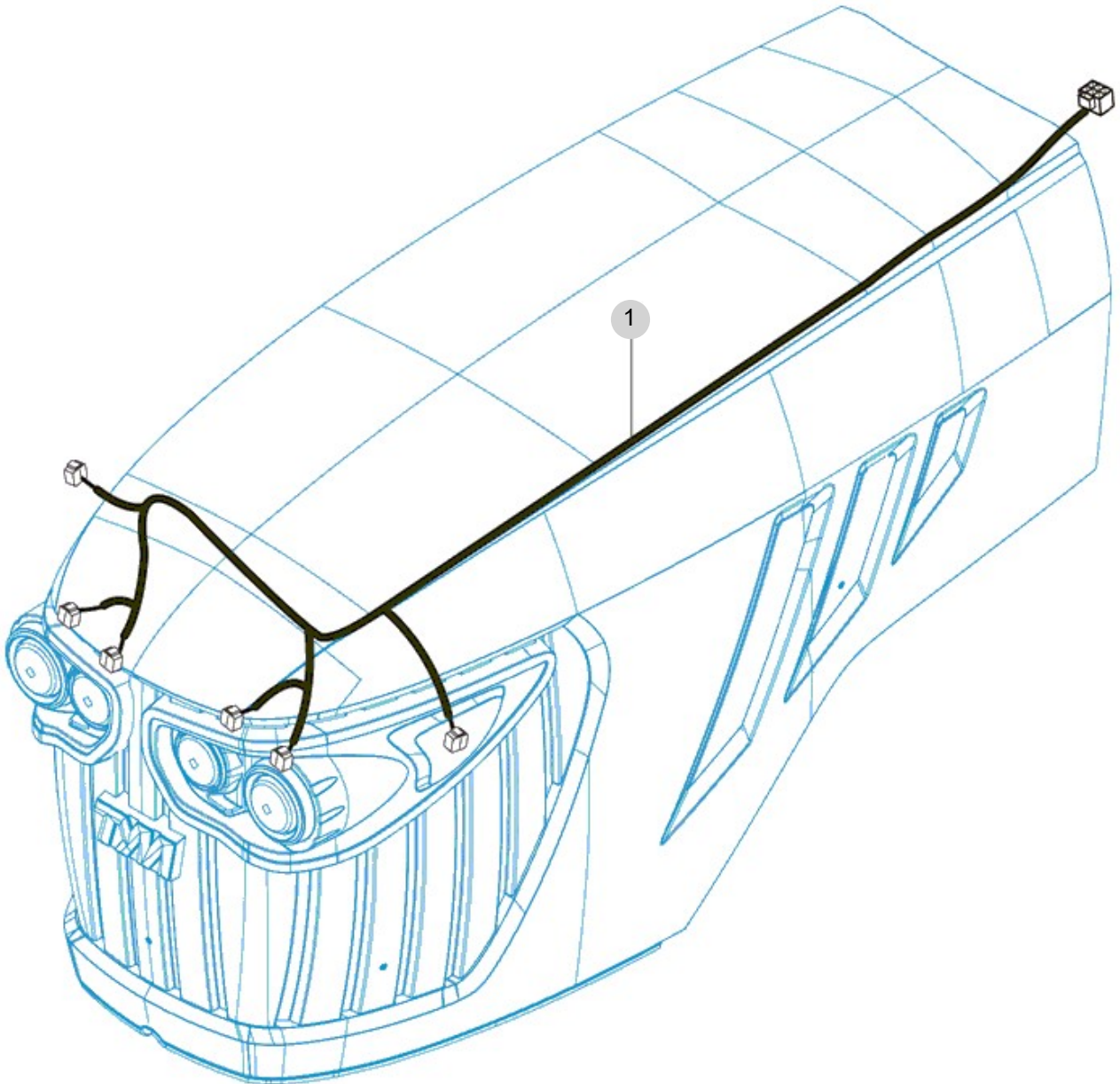
FIG 807

T1104SPEUA

ELECTRIC SYSTEM (5)

년/월
Year/Month

2022-12



NOTE

9. Label/Option PART NO. T9

FIG 901 TOOL & ACCESSORY	283
FIG 902 WEIGHT	285
FIG 903 LABEL	287
FIG 903-2 LABEL	289

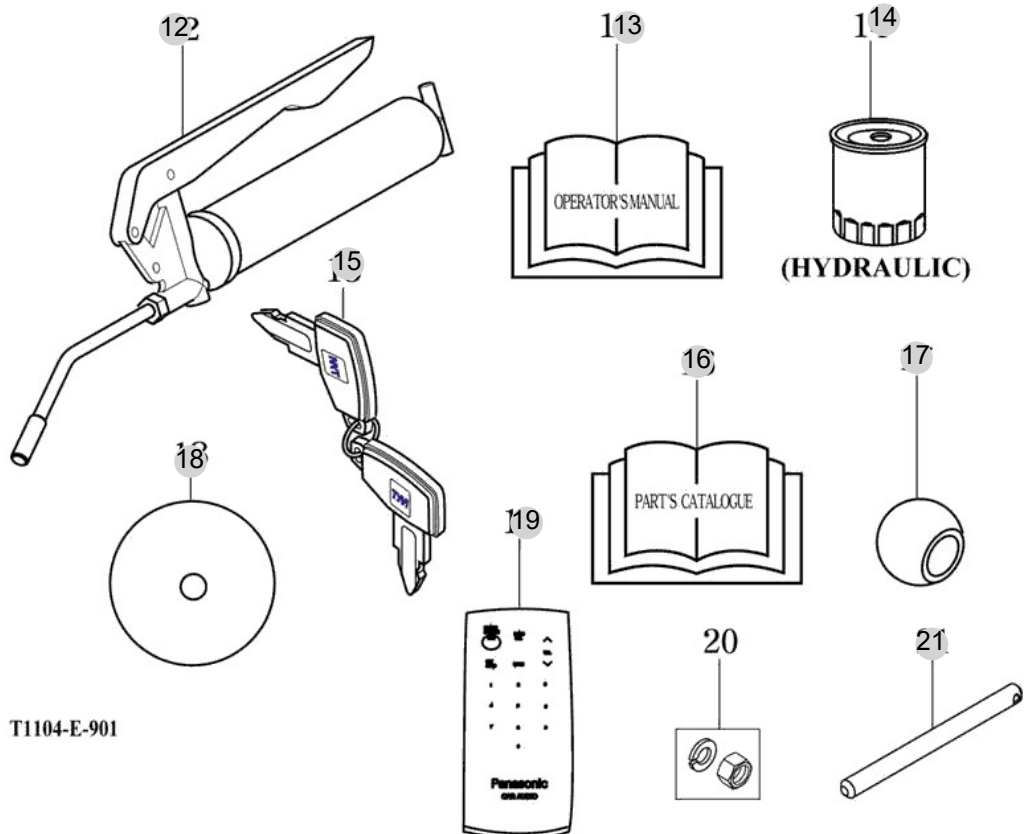
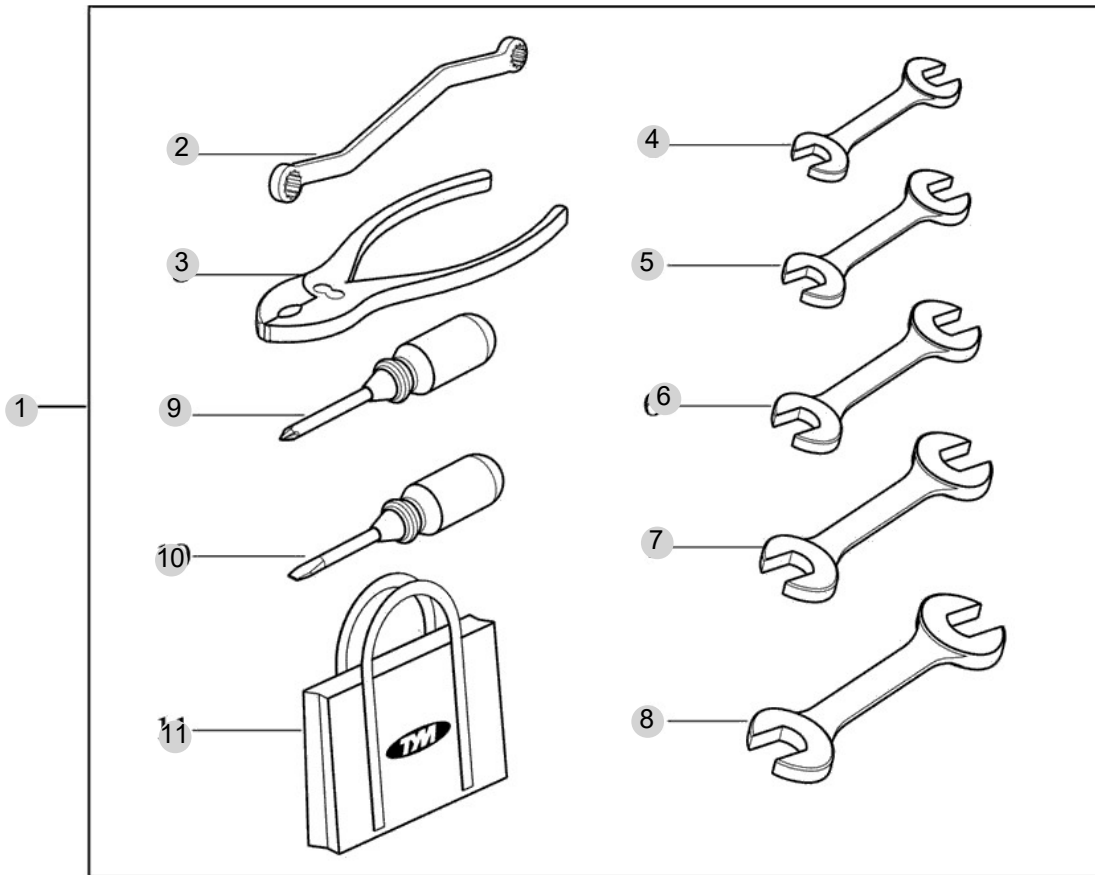
FIG 901

TOOL & ACCESSORY

년/월
Year/Month

T1104SPEUA

2022-12



NOTE

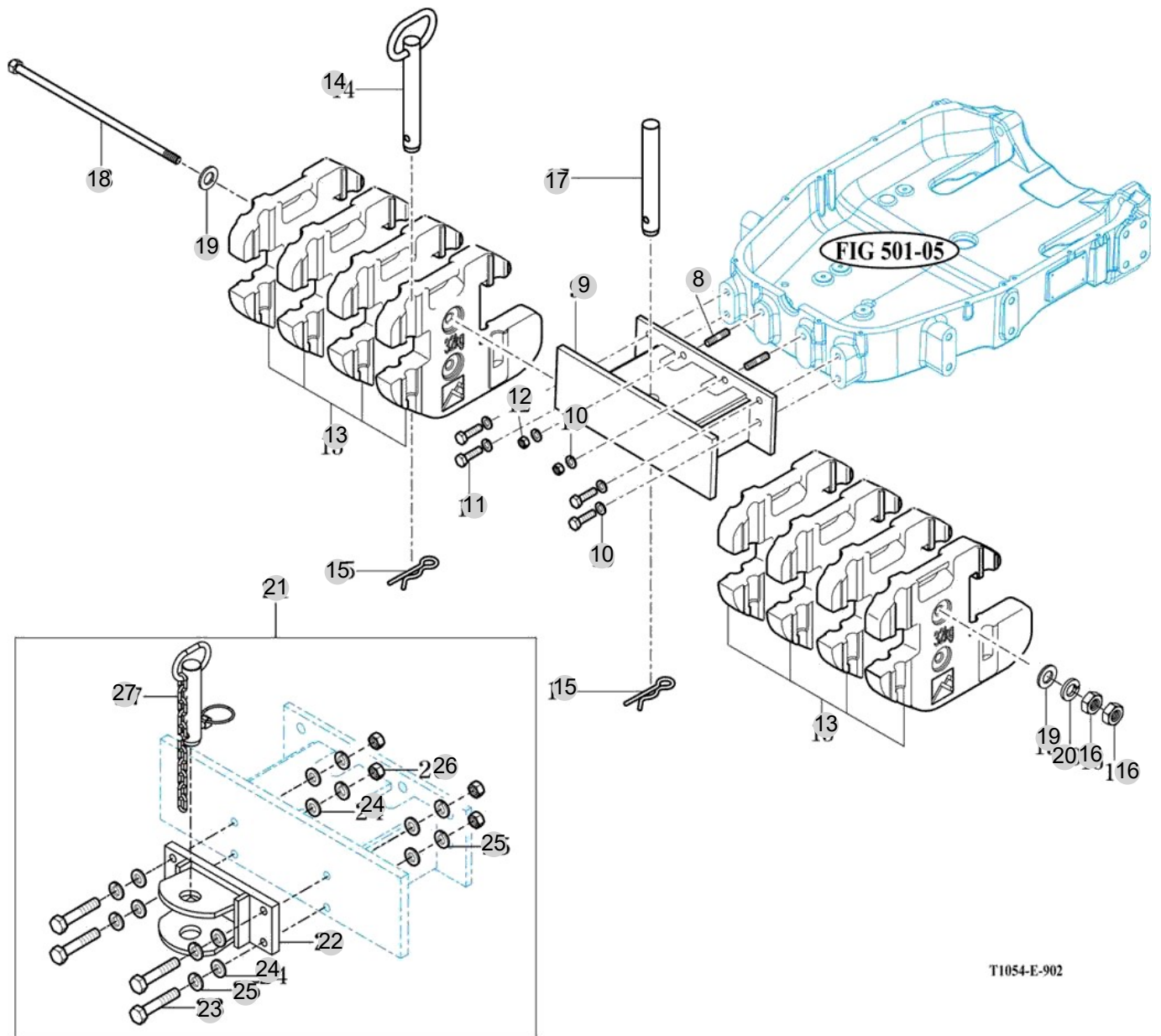
FIG 902

T1104SPEUA

WEIGHT

년/월
Year/Month

2022-12



T1054-E-902

NOTE

FIG 903

T1104SPEUA

LABEL

년/월
Year/Month

2022-12

Inner/Outer air Ventilation

- When grills of rear and both sides are opened, inner air will ventilate in.
- For effective use, open it when operate heater or air conditioner and close when ventilate fresh air.

SPEED TABLES

APPLICABLE	TRIGGER POINT	RETRACTOR	50	60	70	80	90
SPD	1	2	3	4	5	6	7
50	1	2	3	4	5	6	7
60	1	2	3	4	5	6	7
70	1	2	3	4	5	6	7
80	1	2	3	4	5	6	7
90	1	2	3	4	5	6	7

• The data reported in this publication are also subject to variation and consequently are not.
• Don't work the tractor, especially heavy work at creep on.

Operator's manual

WARNING
Work in ventilated Area.

CAUTION
Do not touch while the system is hot. It cause serious burns.

WARNING
Always fasten Your seat belt.

WARNING
Always set the knob to lock when
1. Travelling on the road.
2. Replacing blades on an implement.
3. Making adjustment to an implement.
Sudden dropping of an implement can cause various injury or death.

CAUTION
Stay clear of raised Boom and bucket.

WARNING
Never use the diff-lock at high speed or on the road as this can cause rollover and injury.

CAUTION
Keep hands and clothing away from rotating fan and belts to prevent serious injury.

WARNING
Do not remove radiator cap while engine is hot. Hot steam will injure you.

CAUTION
Do not refuel the tractor while smoking or near naked flame or sparks, always stop engine before refueling tractors.

CAUTION
Do not fill any liquid other than AdBlue (DEF). Filling of Diesel and other material (including water) may cause malfunctions or accidents.

CAUTION
Always place the transmission in neutral and apply the brake while the tractor is in standstill position. Failure to do so can cause accidents and damages.

BONNET LATCH OPEN

TYM

T1104-E-903A

NOTE

FIG 903 T1104SPEUA	LABEL	년/월 Year/Month 2022-12
------------------------------	--------------	----------------------------------

KEY NO	PART NO	DESCRIPTION	SPEC	QTY	REPAIR	EFFECTIVE DATE	REMARKS
903	1	12009100230	LABEL , CAUTION OPERATION	T=0.05	1		
903	2	12009100030	LABEL , WARNING EXHAUST	1X1X1	1		
903	5	12009100190	LABEL , WARNING BELT	1X1X1	1		
903	8	12009100060	LABEL , WARNING DIFF	1X1X1	1		
903	9	19959041130	LABEL, TYM(66X150)	1X1X1	2		
903	10	12009100111	LABEL , DANGER AIR CONDITIONER		1		
903	11	18711201200	LABEL , TURBOENGINE/DeSOx		1		
903	13	12009100050	LABEL , WARNING FIRE	1X1X1	1		
903	27	12009100120	LABEL , CAUTION FAN	1X1X1	1		
903	28	12009100150	LABEL , WARNING RADIATOR	1X1X1	1		
903	30	12009100240	LABEL , CAUTION MUFFLER	1X1X1	1		
903	32	17699100100	LABEL , WARNING JOYSTICK		1		
903	33	18719200010	LABEL , NOTE/SPEED		1		
903	33	18809200010	LABEL , NOTE/SPEED		1		
903	34	19639020012	MARK , /T1104		2		
903	35	19629020012	MARK , /T1004		2		
903	36	18959010064	MARK , /T854		2		
903	37	12209041222	LABEL , VENTILATION		1		
903	42	18719100310	LABEL , CAUTION LEVER		1		
903	43	18711201500	LABEL , TRACTOR STORAGE		1		
903	44	15899100060	LABEL , CAUTION/ADBLUE		1		
903	45	18909010320	LABEL , HOOD		1		
903	46	15709100130	LABEL , GREASE		1		
903	47	12519100140	LABEL , JACK POINT		1		
903	50	15809010020	LABEL , /TYM 70		2		

NOTE

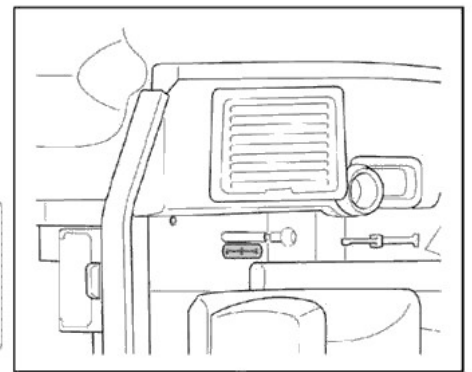
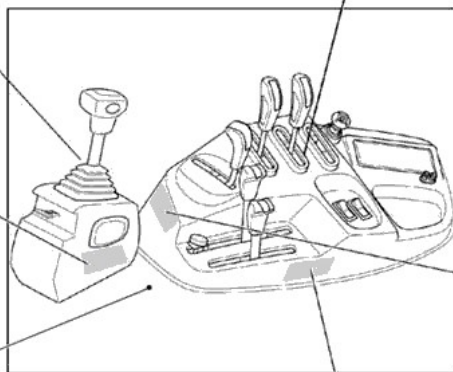
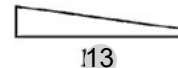
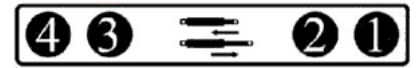
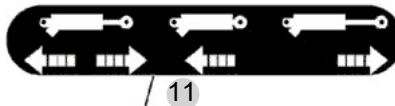
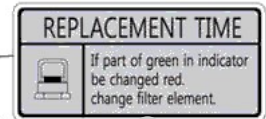
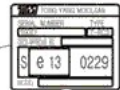
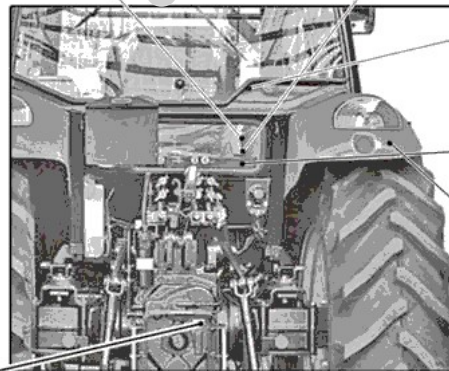
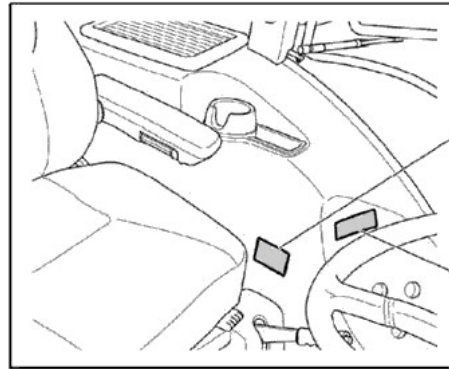
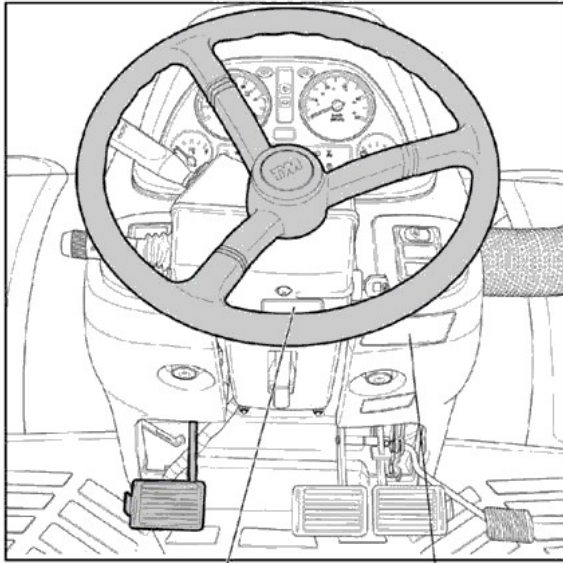
FIG 903-2

LABEL

년/월
Year/Month

T1104SPEUA

2022-12



NOTE

FIG 903-2		LABEL					년/월 Year/Month	
T1104SPEUA							2022-12	
KEY NO	PART NO	DESCRIPTION	SPEC	QTY	REPAIR	EFFECTIVE DATE	REMARKS	
903-2	1	12009100020	LABEL , WARNING PARKING	1X1X1	1			
903-2	2	12009100160	LABEL , DANGER RIDING	1X1X1	1			
903-2	3	12009100130	LABEL , DANGER PTO	1X1X1	1			
903-2	4	12009100140	LABEL , WARNING DRAW	1X1X1	1			
903-2	5	12009100080	LABEL , WARNING TILTING	1X1X1	1			
903-2	6	19129100070	LABEL , WARNING/BREAK	T=0.05	1			
903-2	8	17689100220	LABEL , WARNING SWITCH	1X1X1	1			
903-2	9	12009100210	LABEL , WARNING THROTTLE	1X1X1	1			
903-2	10	19125153120	LABEL , REPLACEMENT TIME	T=0.05	1			
903-2	11	19029010050	LABEL , AUX LEVER	T=0.038	4			
903-2	12	19029010040	LABEL , PORT NO./AUX	T=0.05	1			
903-2	13	19029010010	LABEL , HAND THROTTLE	T=0.038	1			
903-2	14	17699100090	LABEL , WARNING JOYSTICK	1X1X1	1			
903-2	16	12009100010	LABEL , WARNING SUB SHIFTER	1X1X1	1			
903-2	17	17689100170	LABEL , CAUTION SAFETY		1			
903-2	18	19029010021	LABEL , PTO LEVER	T=0.05	1			
903-2	19	19129100040	LABEL , WARNING/STOP VALVE	T=0.05	1			
903-2	21	18729045040	LABEL , CABIN		1			
903-2	21	18909045040	LABEL , CABIN		1			
903-2	22	19149040250	LABEL , DRAWBAR NAME	1X1X1	1			
903-2	22	15899040250	LABEL , DRAWBAR NAME		1			
903-2	22	15899040252	LABEL , DRAWBAR NAME		1			
903-2	23	12149020110	LABEL , EMERGENCY EXIT	1X1X1	1			
NOTE								