

T25NHAU4

Parts Catalog

목 차

1. 엔진 PART NO. EG

FIG 100 ENGINE ASSY	6
FIG 101 CYLINDER BLOCK	8
FIG 102 GEAR HOUSING	10
FIG 103 OIL SUMP	12
FIG 104 CYLINDER HEAD & BONNET	14
FIG 105 EXHAUST MANIFOLD	17
FIG 106 CAMSHAFT & DRIVING GEAR	19
FIG 107 CRANKSHAFT & PISTON	21
FIG 108 LUB. OIL SYSTEM	23
FIG 109 COOLING WATER SYSTEM	25
FIG 110 FUEL INJECTION PUMP	27
FIG 111 GOVERNOR	29
FIG 112 FUEL INJECTION VALVE	31
FIG 113 FUEL FILTER	33
FIG 114 STARTING MOTOR	35
FIG 115 GENERATOR	37
FIG 116 ACCESORY	39

2. 엔진보기품 PART NO. T2

FIG 201 AIR CLEANER	42
FIG 202 RADIATOR	44
FIG 203 MUFFLER	46
FIG 204 FUEL TANK & FUEL LINE	48
FIG 205 ACCELERATOR	50
FIG 206 OIL COOLER	52

3. 클러치/브레이크/스티어링 PART NO. T3

FIG 301 FLYWHEEL COVER	55
FIG 302 SPEED CONTROL	57

FIG 303 BRAKE	60
FIG 304 BRAKE PEDAL & LINKAGE	62
FIG 305 STEERING WHEEL & DASH COVER	64
FIG 306 STEERING VALVE	66
FIG 307 STEERING CYLINDER	68
FIG 308 FRONT WHEEL	70
FIG 309 REAR WHEEL	72

4. 트랜스미션 PART NO. T4

FIG 401 INPUT SHAFT	75
FIG 402 HST	77
FIG 403 4WD DRIVE GEAR	79
FIG 404 RANGE GEARS	81
FIG 405 P.T.O DRIVE SHAFT	83
FIG 406 P.T.O SHAFT	85
FIG 408 DIFF LOCK	87
FIG 409 REAR TRANSMISSION CASE	89
FIG 410 REAR AXLE HOUSINGS	91
FIG 411 RANGE SHIFT LEVER	93
FIG 412 P.T.O CHANGE LEVER	95
FIG 413 4WD CHANGE LEVER	97

5. 프론트 액슬 PART NO. T5

FIG 501 FRAME	100
FIG 502 FRONT DIFFERENTIAL GEARS & SHAFT	102
FIG 503 FRONT AXLE HOUSING	104
FIG 504 FRONT GEAR CASE (1)	106
FIG 505 FRONT GEAR CASE (2)	108

6. 유압/3점링크 PART NO. T6

FIG 601 CYLINDER CASE	111
FIG 602 LIFT ARM	113
FIG 603 FLOW CONTROL VALVE	115
FIG 604 CONTROL VALVE LINKAGE	117
FIG 605 MAIN CONTROL VALVE	119

FIG 606 REMOTE CONTROL VALVE	121
FIG 607 POSITION LEVER LINKAGE	123
FIG 608 GEAR PUMP	125
FIG 609 HYDRAULIC HOSE (1)	127
FIG 610 HYDRAULIC HOSE (2)	129
FIG 611 PTO VALVE	131
FIG 612 3-POINT LINKAGE	133
FIG 613 JOYSTICK LEVER	136
FIG 614 HITCH & COVER	138

7. 시트메탈/캐빈 PART NO. T7

FIG 701 BONNET	141
FIG 702 DASH PANEL	143
FIG 703 FLOOR	145
FIG 704 SEAT	148
FIG 705 ROPS	150

8. 전장 PART NO. T8

FIG 801 BATTERY & MOUNTING	153
FIG 802 LIGHTS	155
FIG 803 INSTRUMENT PANEL	157
FIG 804 ELECTRIC SYSTEM	159
FIG 805 HARNESS	161
FIG 806 HARNESS	163

9. 라벨/옵션 PART NO. T9

FIG 901 TOOL & ACCESSORY	166
FIG 903 LABEL	168

1. 엔진 PART NO. EG

FIG 100 ENGINE ASSY	6
FIG 101 CYLINDER BLOCK	8
FIG 102 GEAR HOUSING	10
FIG 103 OIL SUMP	12
FIG 104 CYLINDER HEAD & BONNET	14
FIG 105 EXHAUST MANIFOLD	17
FIG 106 CAMSHAFT & DRIVING GEAR	19
FIG 107 CRANKSHAFT & PISTON	21
FIG 108 LUB. OIL SYSTEM	23
FIG 109 COOLING WATER SYSTEM	25
FIG 110 FUEL INJECTION PUMP	27
FIG 111 GOVERNOR	29
FIG 112 FUEL INJECTION VALVE	31
FIG 113 FUEL FILTER	33
FIG 114 STARTING MOTOR	35
FIG 115 GENERATOR	37
FIG 116 ACCESORY	39

FIG 100 T25NHAU4	ENGINE ASSY	년/월 Year/Month 2022-12
---------------------	-------------	------------------------------

ENGINE

1

NOTE	
------	--

FIG 100 T25NHAU4		ENGINE ASSY						년/월 Year/Month	
								2022-12	
KEY NO		PART NO	DESCRIPTION	SPEC	QTY	REPAIR	EFFECTIVE DATE	REMARKS	
100	1	11811001100	엔진 , 3TNV80F-NXDKTFX		1				
NOTE									

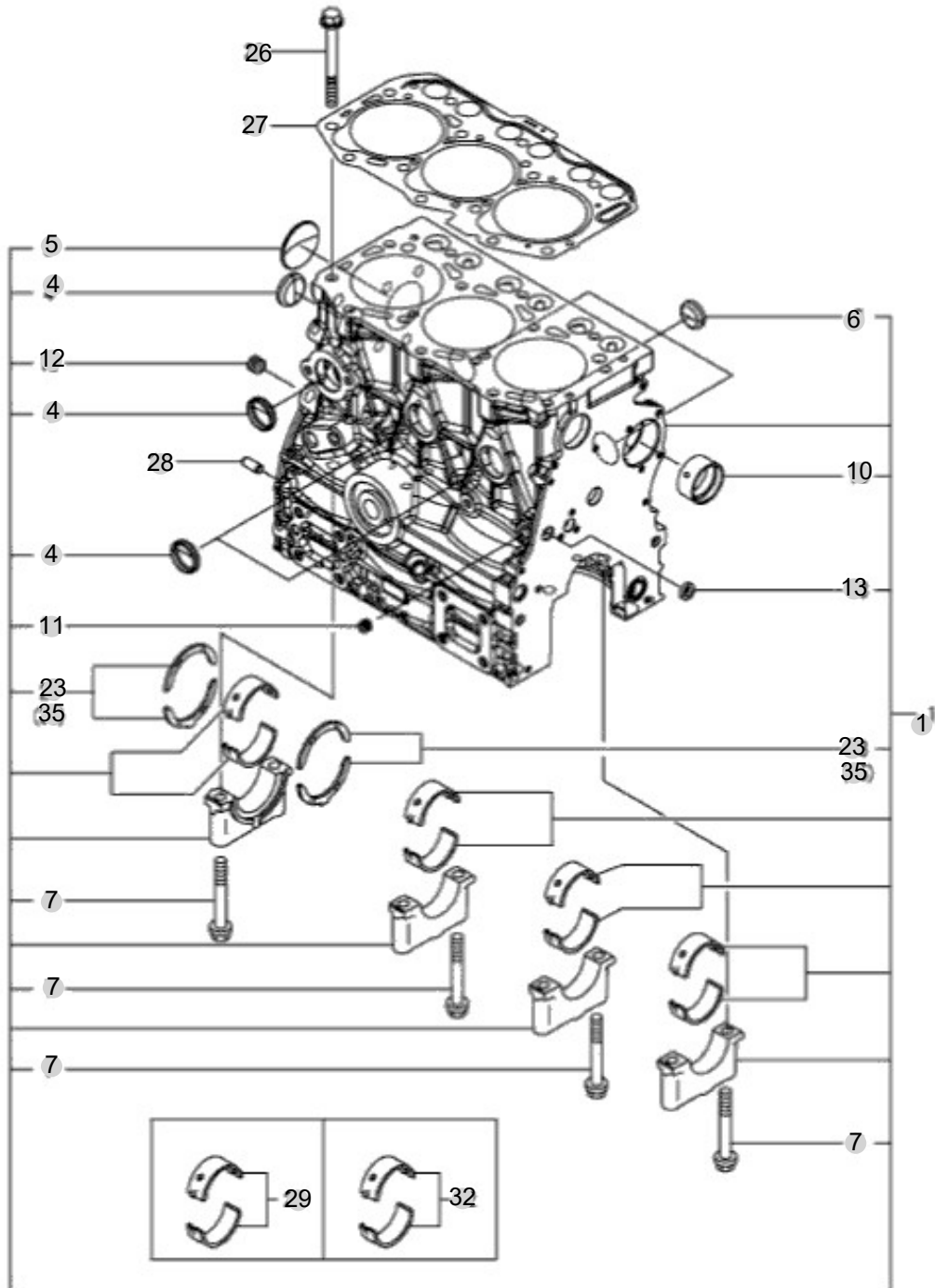
FIG 101

CYLINDER BLOCK

년/월
Year/Month

2022-12

T25NHAU4



NOTE

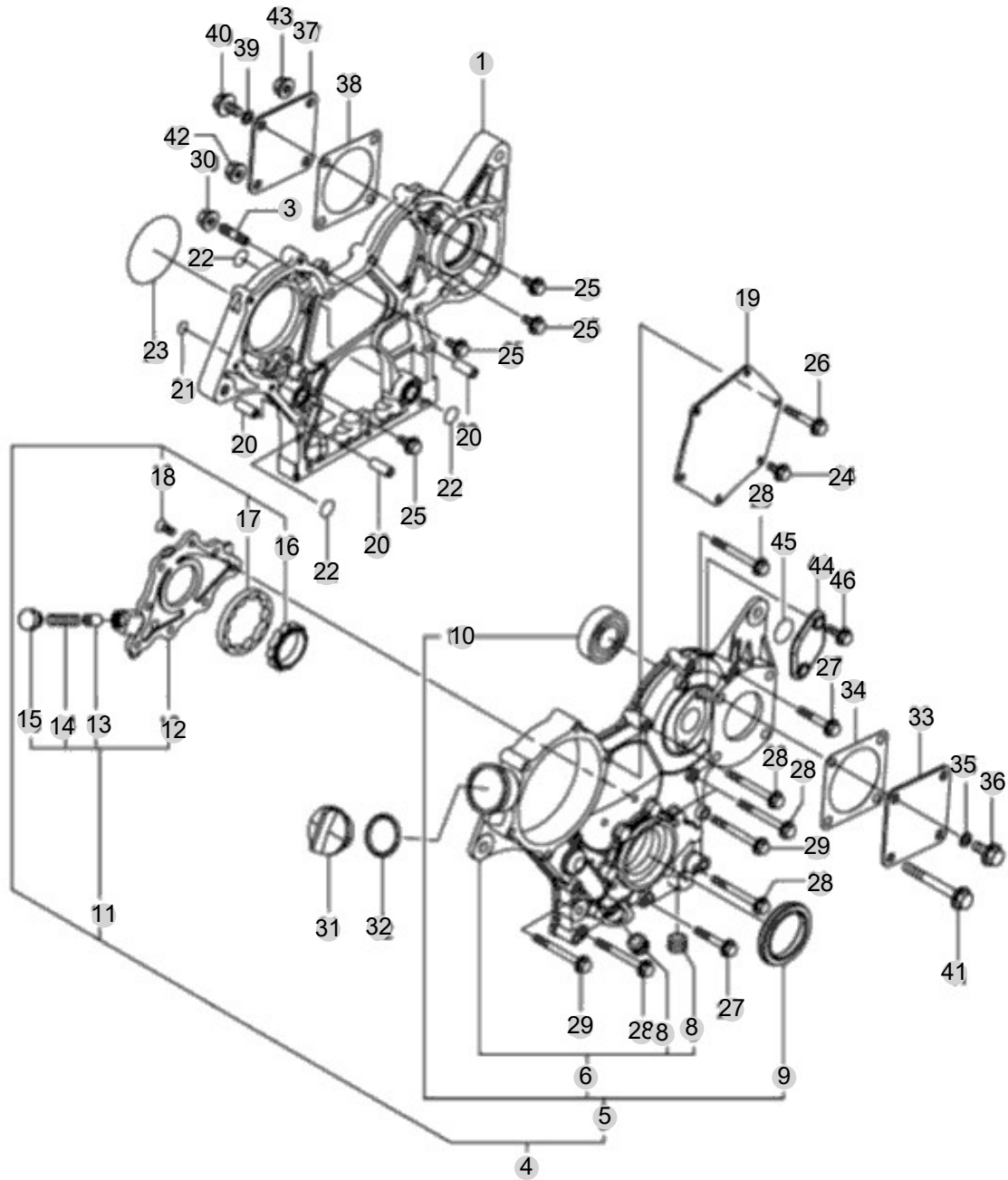
FIG 102

GEAR HOUSING

년/월
Year/Month

2022-12

T25NHAU4



NOTE

FIG 102 T25NHAU4		GEAR HOUSING					년/월 Year/Month	
							2022-12	
KEY NO	PART NO	DESCRIPTION	SPEC	QTY	REPAIR	EFFECTIVE DATE	REMARKS	
102	1	119740-01501	CASE, GEAR		1			
102	3	119717-01570	STUD		3			
102	4	119751-01590	COVER ASSY, CASE		1			
102	5	719751-01500	COVER ASSY, CASE		1			
102	6	119751-01521	COVER, GEAR CASE		1			
102	8	23876-030000	PLUG, R03		2			
102	9	119717-01800	SEAL, OIL		1			
102	10	24101-062024	깊은홈 볼베어링		1			
102	11	119717-32100	COVER ASSY, PUMP		1			
102	12	119717-32080	COVER, OIL PUMP		1			
102	13	129900-32130	VALVE, RELIEF		1			
102	14	129001-32320	SPRING		1			
102	15	129001-32330	PLUG		1			
102	16	119717-32110	ROTOR, INNER		1			
102	17	119717-32120	ROTOR, OUTER		1			
102	18	119802-32130	SCREW, M6X16		8			
102	19	119717-01750	COVER, PUMP		1			
102	20	119660-01911	PIPE, KNOCK 6X17		4			
102	21	119624-32040	O-RING, P12.0		1			
102	22	119717-32050	O-RING, P17.0		3			
102	23	121850-51960	O-RING, FUEL PUMP		1			
102	24	26106-060122	BOLT, M6X 12 PLATED		1			
102	25	26106-060162	BOLT, M6X 16 PLATED		4			
102	26	26106-060402	BOLT, M6X 40 PLATED		4			
102	27	26106-060402	BOLT, M6X 40 PLATED		2			
102	28	26106-060602	BOLT, M6X 60 PLATED		7			
102	29	26106-060652	BOLT, M6X 65 PLATED		2			
102	30	26306-080002	NUT, M8		3			
102	31	124160-01751	CAP, FILLER		1			
102	32	24311-000320	운동용O링		1			
102	33	124240-01871	COVER, HYDRAULIC PUMP		1			
102	34	129C26-01890	GASKET, PUMP		1			
102	35	22190-080002	WASHER, SEAL 8		1			
102	36	26106-080142	BOLT, M8X 14 PLATED		1			
102	37	124240-01871	COVER, HYDRAULIC PUMP		1			
102	38	129C26-01890	GASKET, PUMP		1			
102	39	22190-080002	WASHER, SEAL 8		1			
102	40	26106-080142	BOLT, M8X 14 PLATED		1			
102	41	26106-080702	BOLT, M8X 70 PLATED		3			
102	42	26306-080002	NUT, M8		1			
102	43	26306-080002	NUT, M8		2			
102	44	121023-01551	COVER, TACHOMETER		1			
102	45	24341-000240	O-RING, 1AS24.0		1			
102	46	26106-060162	BOLT, M6X 16 PLATED		2			
NOTE								

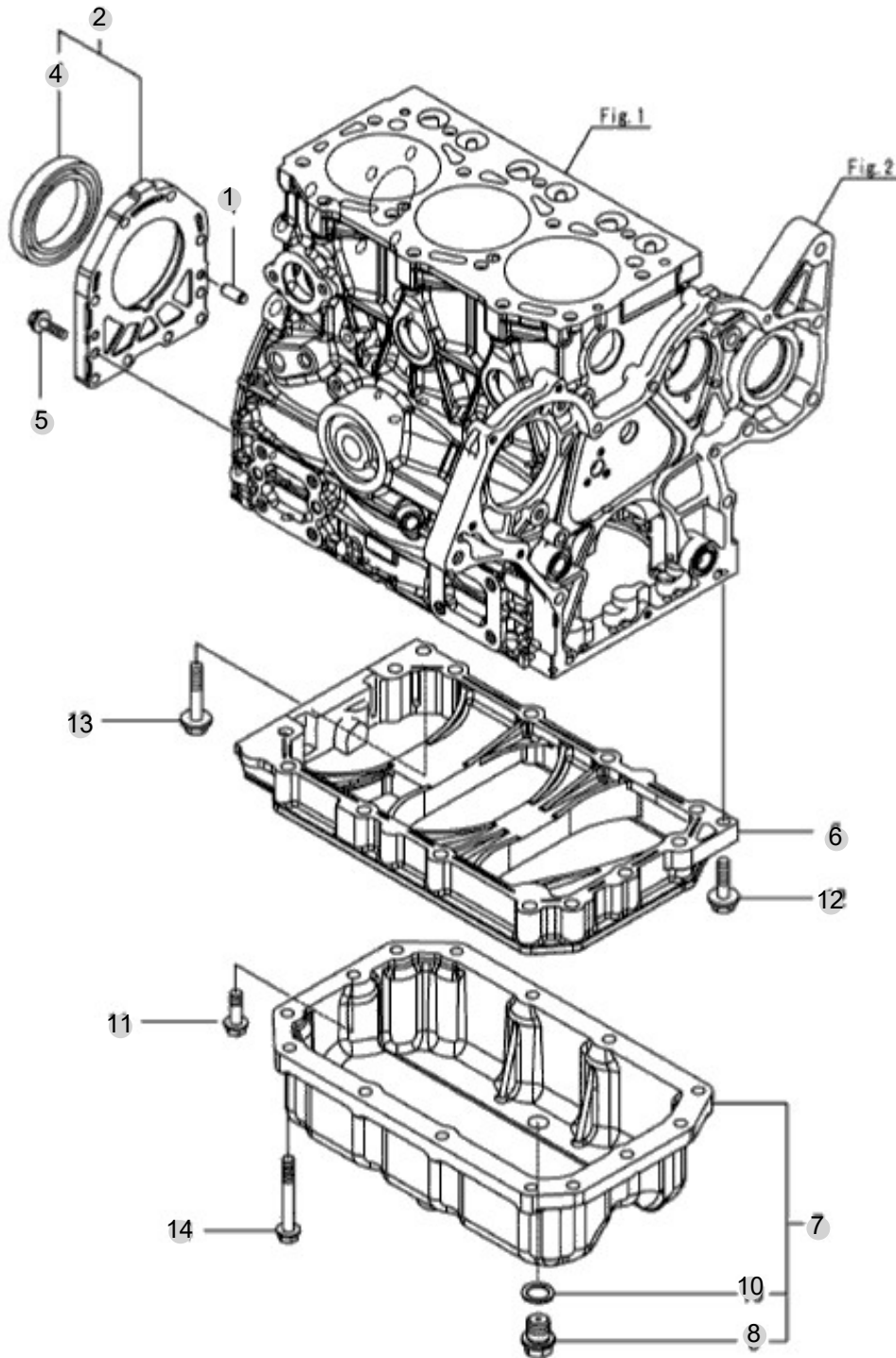
FIG 103

T25NHAU4

OIL SUMP

년/월
Year/Month

2022-12



NOTE

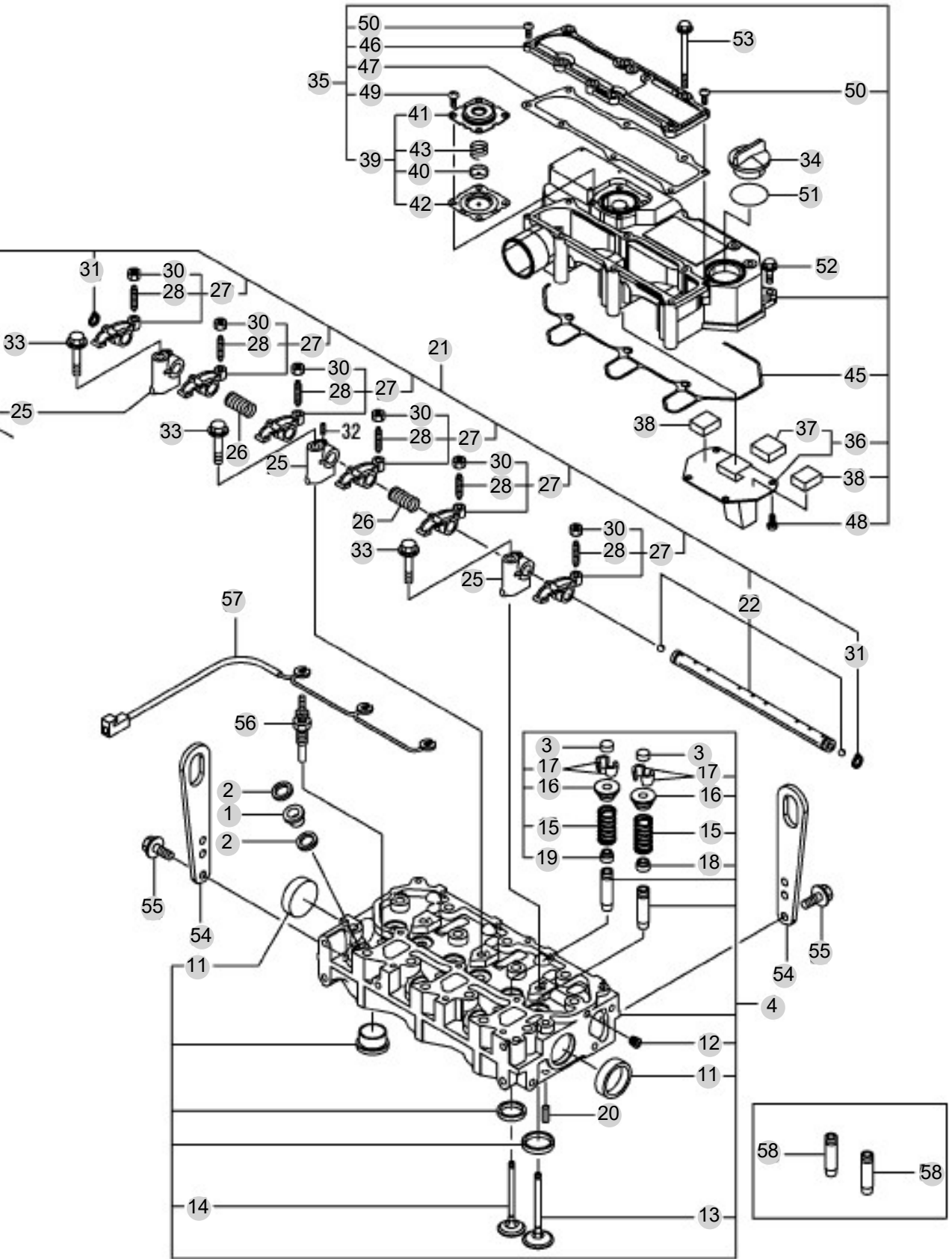
FIG 103 T25NHAU4		OIL SUMP					년/월 Year/Month			
							2022-12		EFFECTIVE DATE	REMARKS
							KEY NO	PART NO		
103	1	119620-01620	PIN, PARALLEL M6X10		2					
103	2	119718-01640	CASE ASSY, OIL SEAL		1					
103	4	119734-02220	SEAL, OIL WHEEL SIDE		1					
103	5	26106-060222	BOLT, M6X 22 PLATED		10					
103	6	119717-01720	SPACER, OIL PAN		1					
103	7	119E10-01790	OIL PAN ASSY		1					
103	8	105425-01690	PLUG, DRAIN M16		2					
103	10	22190-160002	WASHER, SEAL 16		2					
103	11	26106-080252	육각플랜지볼트		1					
103	12	26106-080302	육각플랜지볼트		1					
103	13	26106-080452	BOLT, M8X 45 PLATED		1					
103	14	26106-080602	BOLT, M8X 60 PLATED		13					
NOTE										

FIG 104

CYLINDER HEAD & BONNET

년/월
Year/Month

2022-12



NOTE

FIG 104		CYLINDER HEAD & BONNET					년/월 Year/Month		
							2022-12		
T25NHAU4		KEY NO	PART NO	DESCRIPTION	SPEC	QTY	REPAIR	EFFECTIVE DATE	REMARKS
104	1	129901-11450	PROTECTOR, NOZZLE			3			
104	2	119600-11460	GASKET, NOZZLE			6			
104	3	105010-11490	CAP, VALVE			6			
104	4	119E10-11750	HEAD ASSY, CYLINDER			1			
104	11	119285-11990	PLUG, 35			2			
104	12	23876-005000	PLUG, R005			1			
104	13	119E10-11100	VALVE, INTAKE			3			
104	14	119E10-11110	VALVE, EXHAUST			3			
104	15	119717-11131	SPRING, VALVE			6			
104	16	129508-11180	RETAINER, SPRING			6			
104	17	119717-11190	COTTER, VALVE			12			
104	18	119717-11340	SEAL, VALVE STEM			3			
104	19	119717-11350	SEAL, VALVE STEM			3			
104	20	22351-060012	스프링핀			2			
104	21	119717-11200	SUPPORT ASSY, ROCKER			1			
104	22	119717-11240	SHAFT ASSY, ARM			1			
104	25	119717-11260	SUPPORT, ROCKER ARM			3			
104	26	119620-11280	SPRING, SHAFT			2			
104	27	119717-11650	ARM ASSY, ROCKER INT			6			
104	28	129150-11230	SCREW, VALVE ADJUST			6			
104	30	129150-11750	NUT, M8XP1.0			6			
104	31	22242-000120	RING, 12			2			
104	32	119260-11270	SCREW			1			
104	33	26106-080402	BOLT, M8X 40 PLATED			3			
104	34	124160-01751	CAP, FILLER			1			
104	35	119717-11381	BONNET ASSY, HEAD			1			
104	36	119717-03031	PLATE, BAFFLE			1			
104	37	119717-03070	BAFFLE, BREATHER			1			
104	38	119717-03070	BAFFLE, BREATHER			2			
104	39	119802-03100	DIAPHRAGM ASSY			1			
104	40	119802-03110	PLATE, DIAPHRAGM			1			
104	41	119802-03121	COVER, DIAPHRAGM			1			
104	42	119802-03131	DIAPHRAGM, BREATHER			1			
104	43	119802-03141	SPRING, DIAPHRAGM			1			
104	45	119718-11310	GASKET, BONNET			1			
104	46	119717-11320	COVER, BONNET			1			
104	47	119717-11331	GASKET, BONNET COVER			1			
104	48	22857-500100	SCREW, 5X10			4			
104	49	22857-500100	SCREW, 5X10			4			
104	50	22857-500160	SCREW, 5X16			2			
104	51	24311-000320	운동용O링			1			
104	52	26106-060202	BOLT, M6X 20 PLATED			3			
104	53	26106-060752	BOLT, M6X 75 PLATED			6			
104	54	129900-07900	LIFTER, ENGINE			2			
104	55	26106-080162	육각플랜지볼트			4			
NOTE									

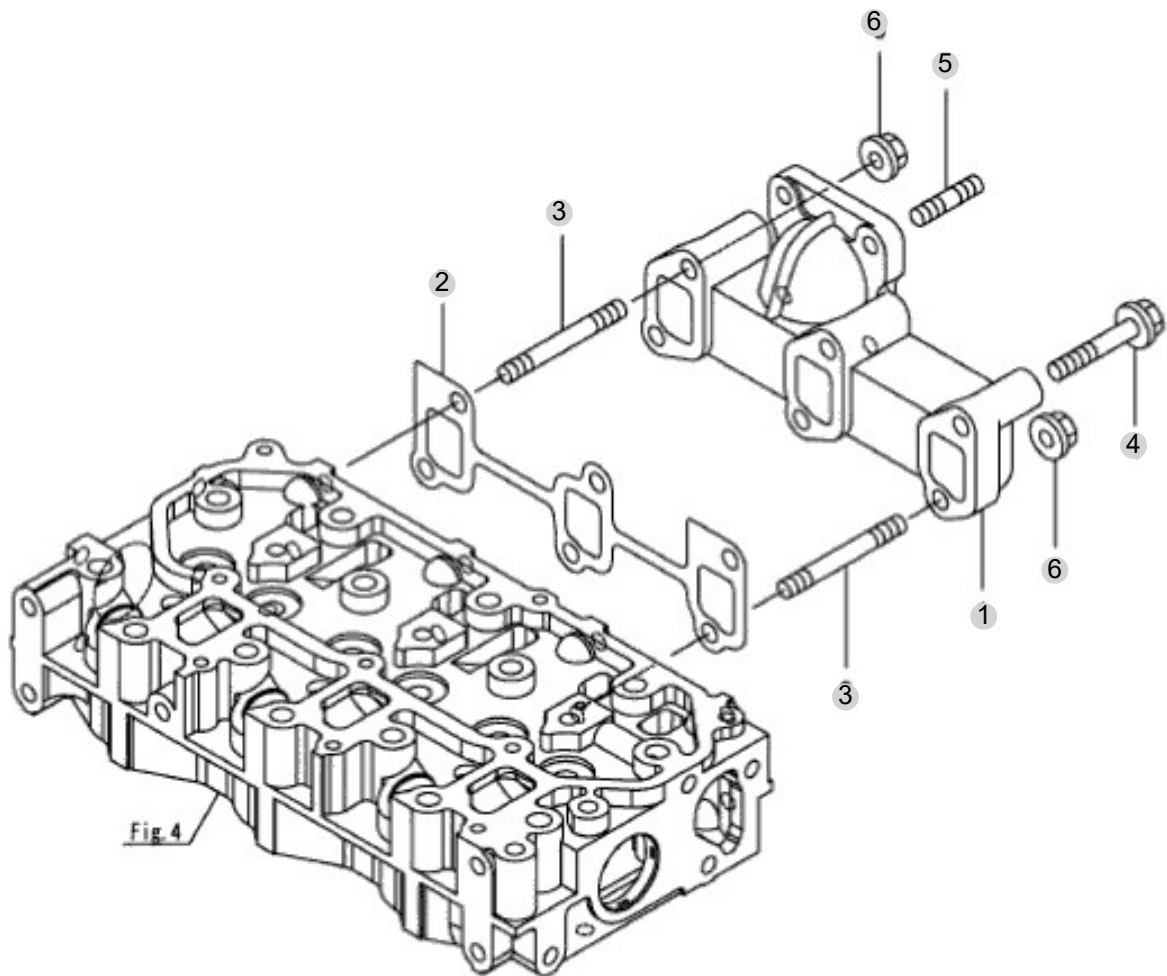
FIG 105

EXHAUST MANIFOLD

년/월
Year/Month

T25NHAU4

2022-12



NOTE

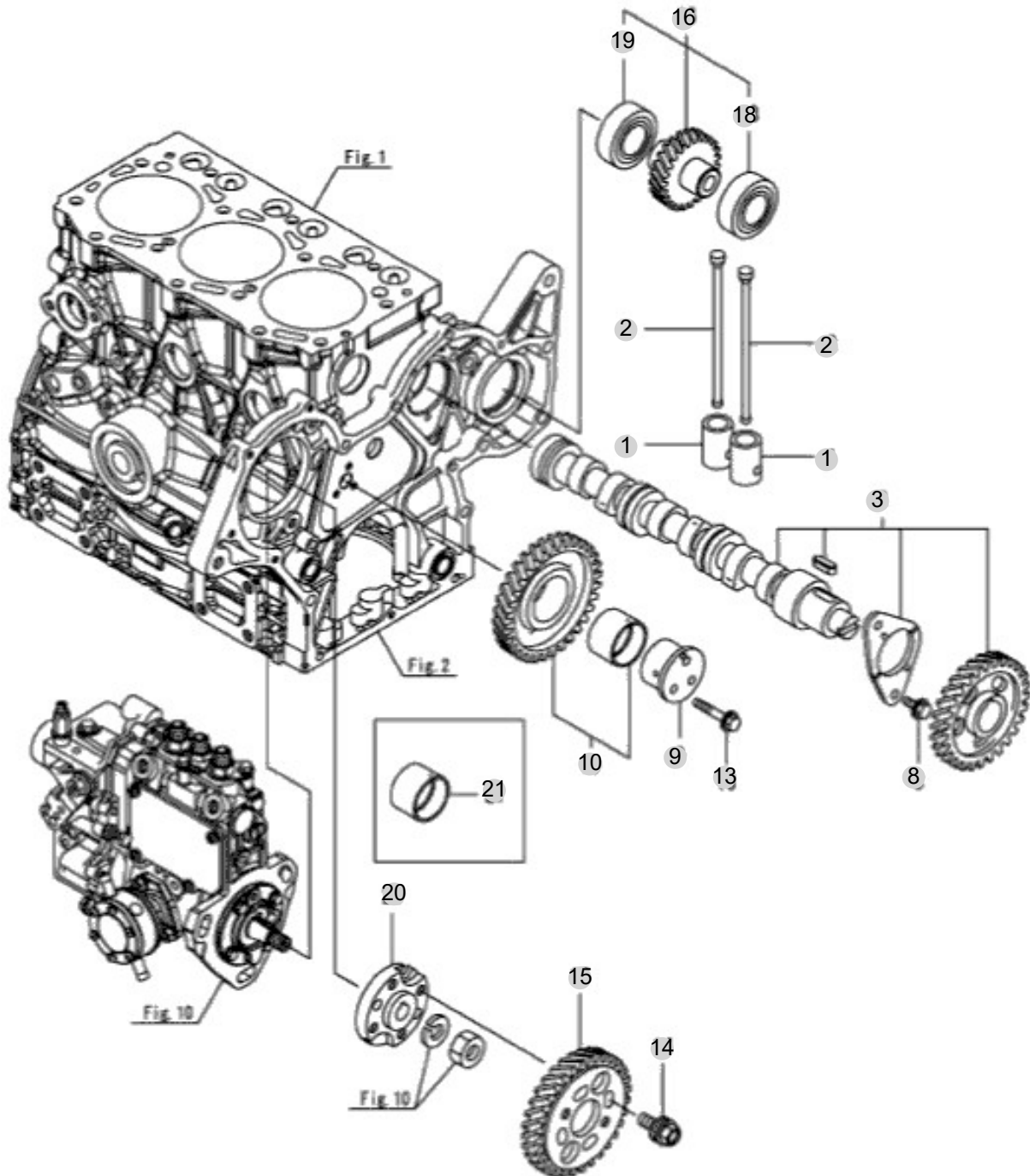
FIG 106

T25NHAU4

CAMSHAFT & DRIVING GEAR

년/월
Year/Month

2022-12



NOTE

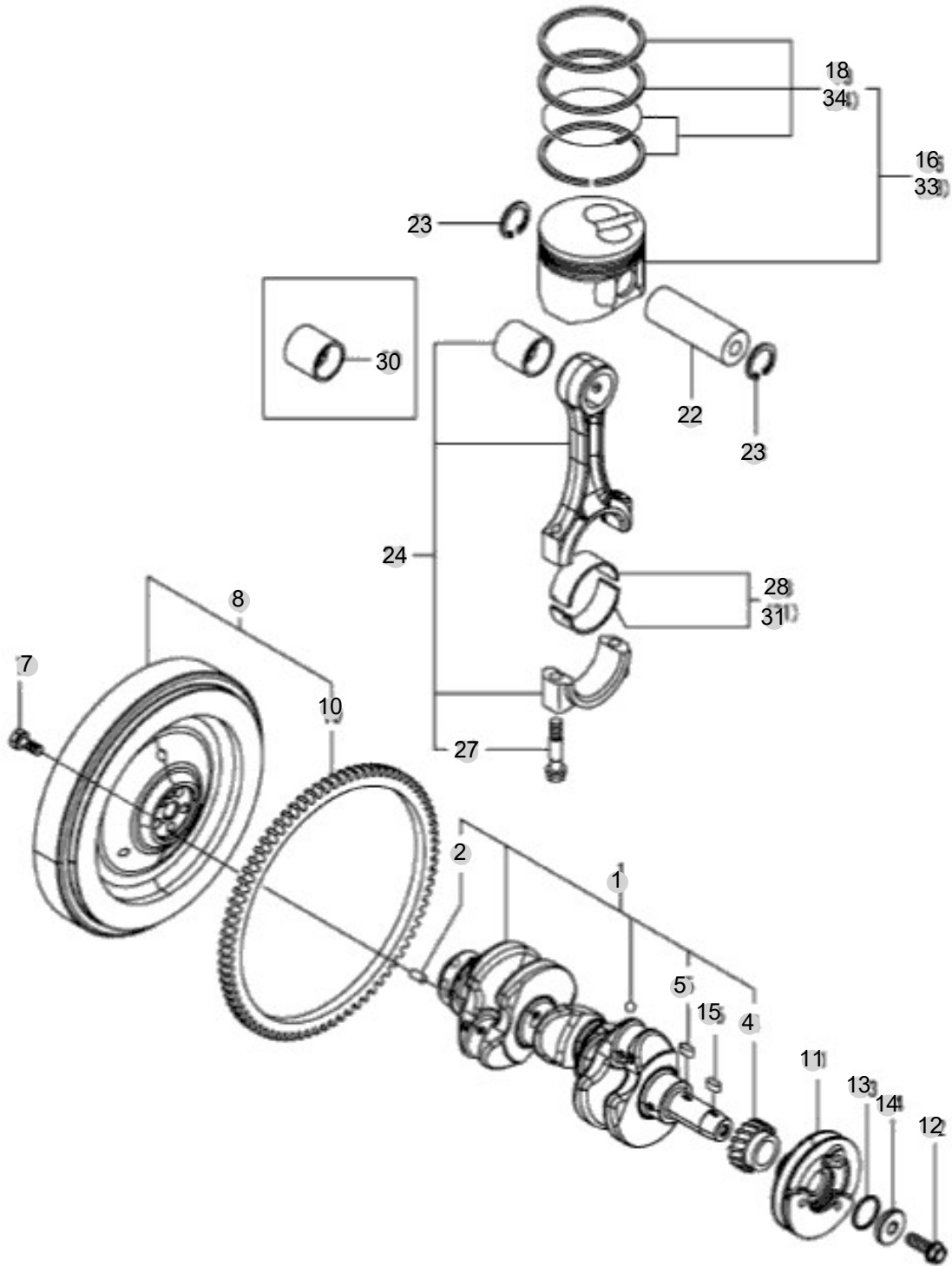
FIG 107

T25NHAU4

CRANKSHAFT & PISTON

년/월
Year/Month

2022-12



NOTE

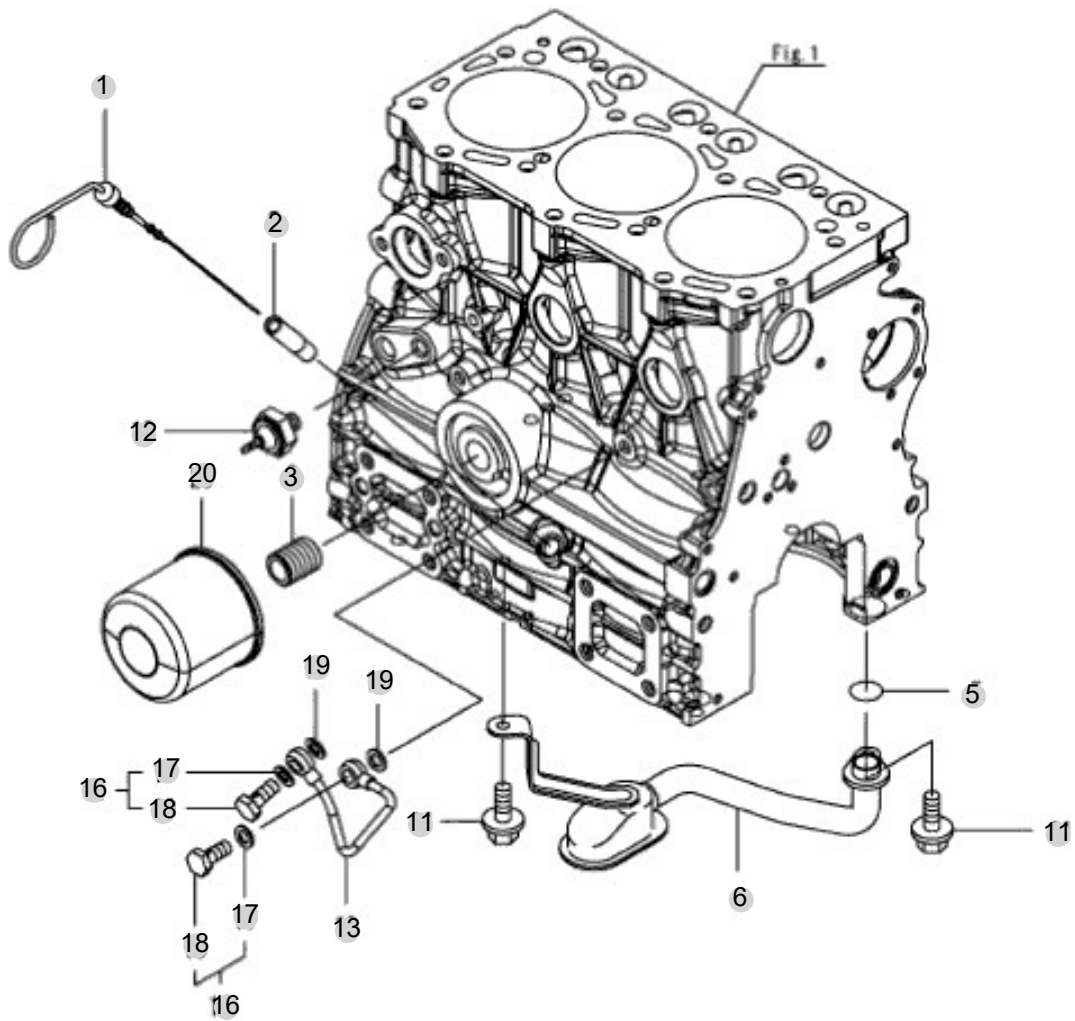
FIG 108

T25NHAU4

LUB. OIL SYSTEM

년/월
Year/Month

2022-12



NOTE

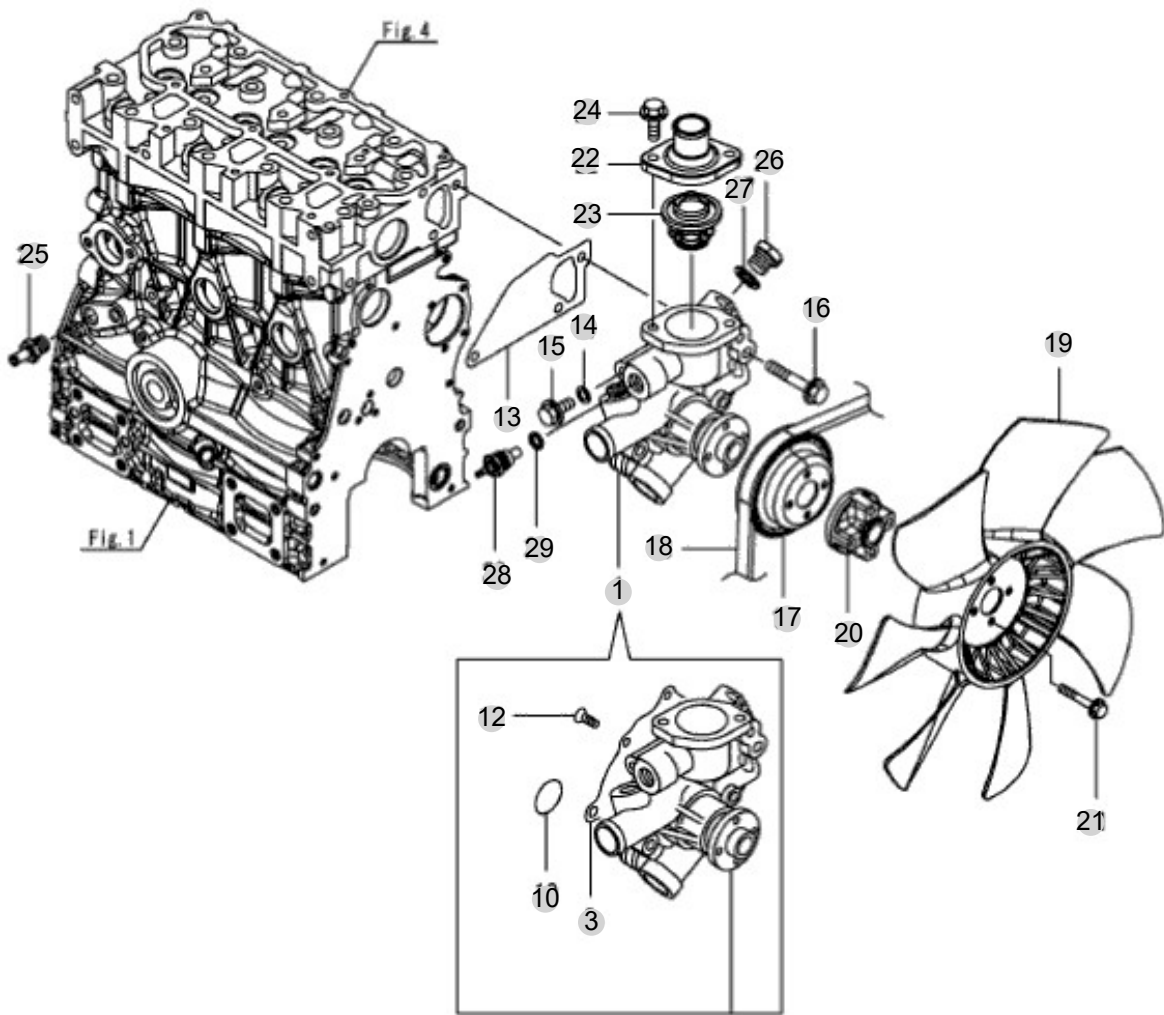
FIG 109

COOLING WATER SYSTEM

년/월
Year/Month

2022-12

T25NHAU4



NOTE

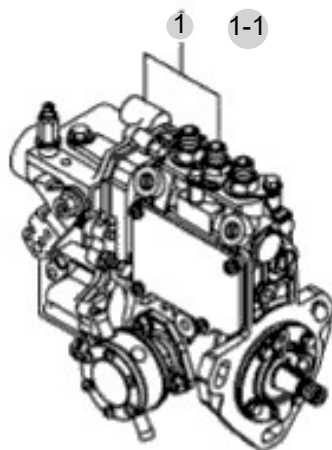
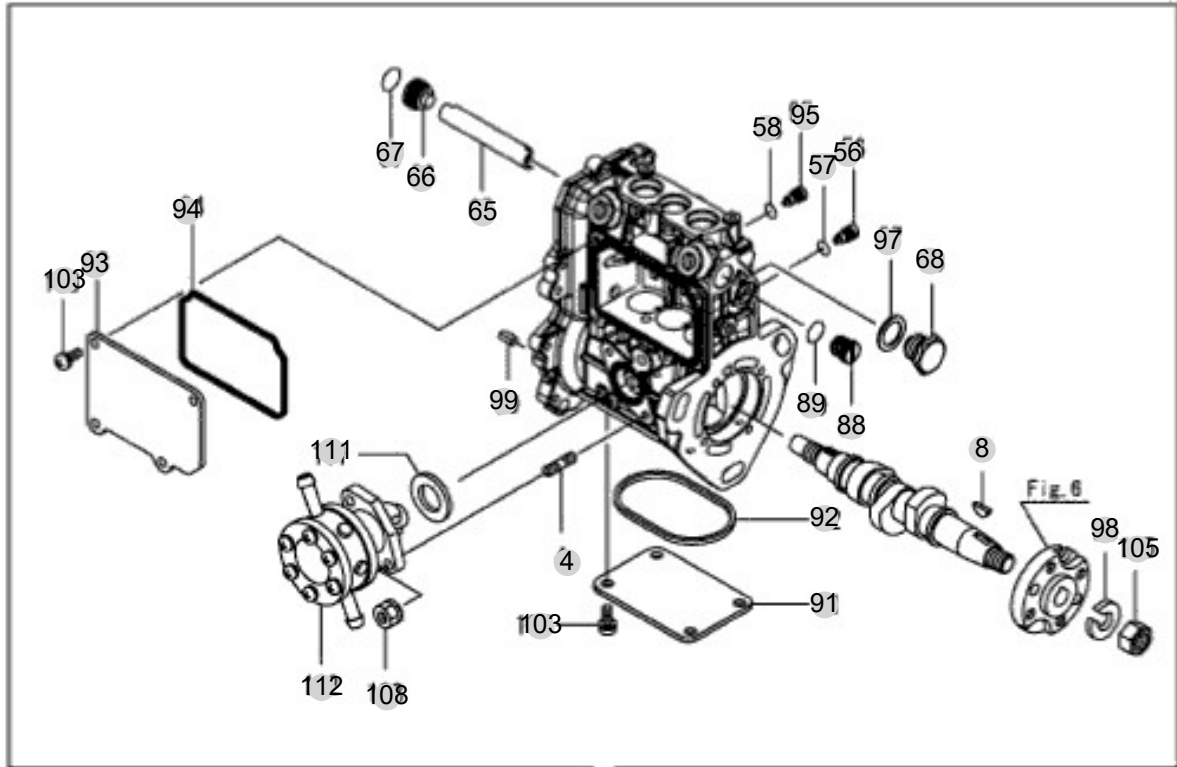
FIG 110

FUEL INJECTION PUMP

년/월
Year/Month

2022-12

T25NHAU4



NOTE

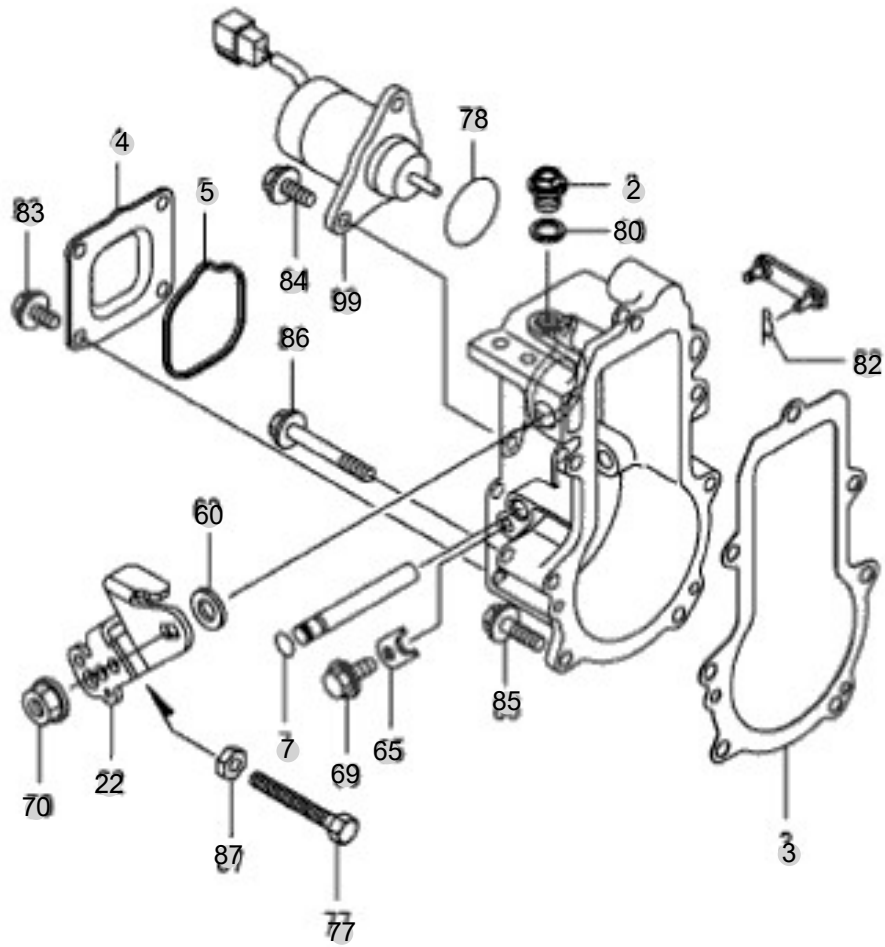
FIG 111

T25NHAU4

GOVERNOR

년/월
Year/Month

2022-12



NOTE

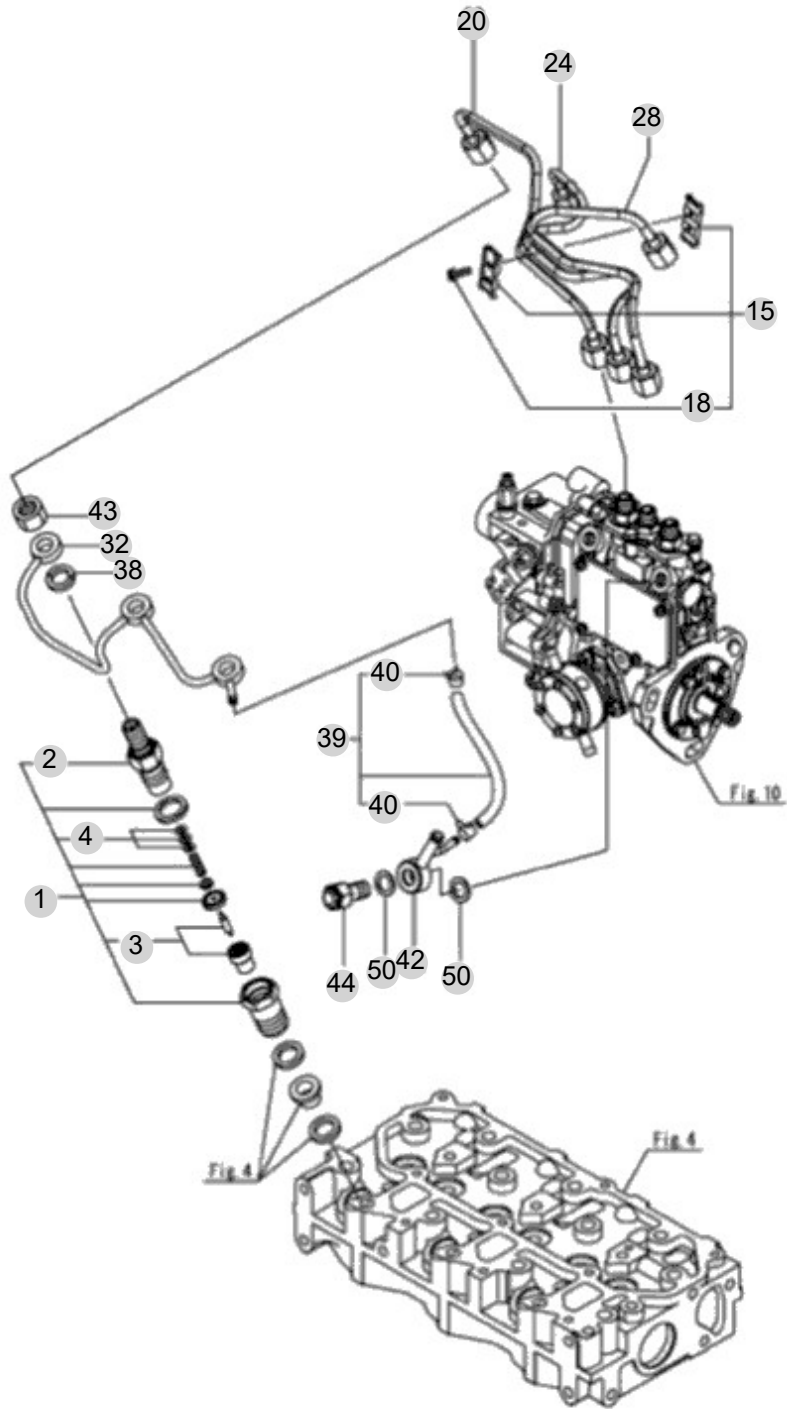
FIG 112

T25NHAU4

FUEL INJECTION VALVE

년/월
Year/Month

2022-12



NOTE

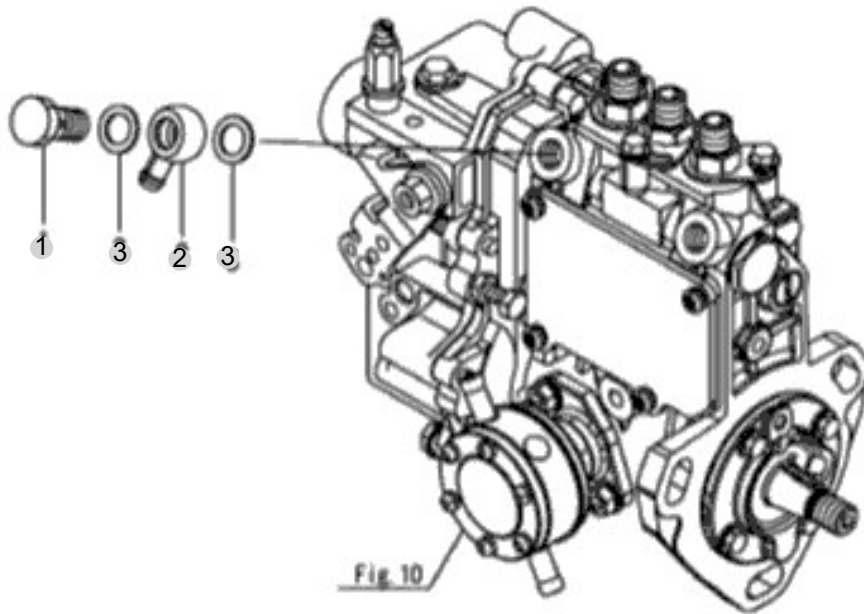
FIG 113

T25NHAU4

FUEL FILTER

년/월
Year/Month

2022-12



NOTE

FIG 113 T25NHAU4		FUEL FILTER						년/월 Year/Month
								2022-12
KEY NO	PART NO	DESCRIPTION	SPEC	QTY	REPAIR	EFFECTIVE DATE	REMARKS	
113	1	103854-39140	BOLT, PIPE JOINT			1		
113	2	101304-59020	JOINT, PIPE 12			1		
113	3	22190-120002	WASHER, SEAL 12			2		
NOTE								

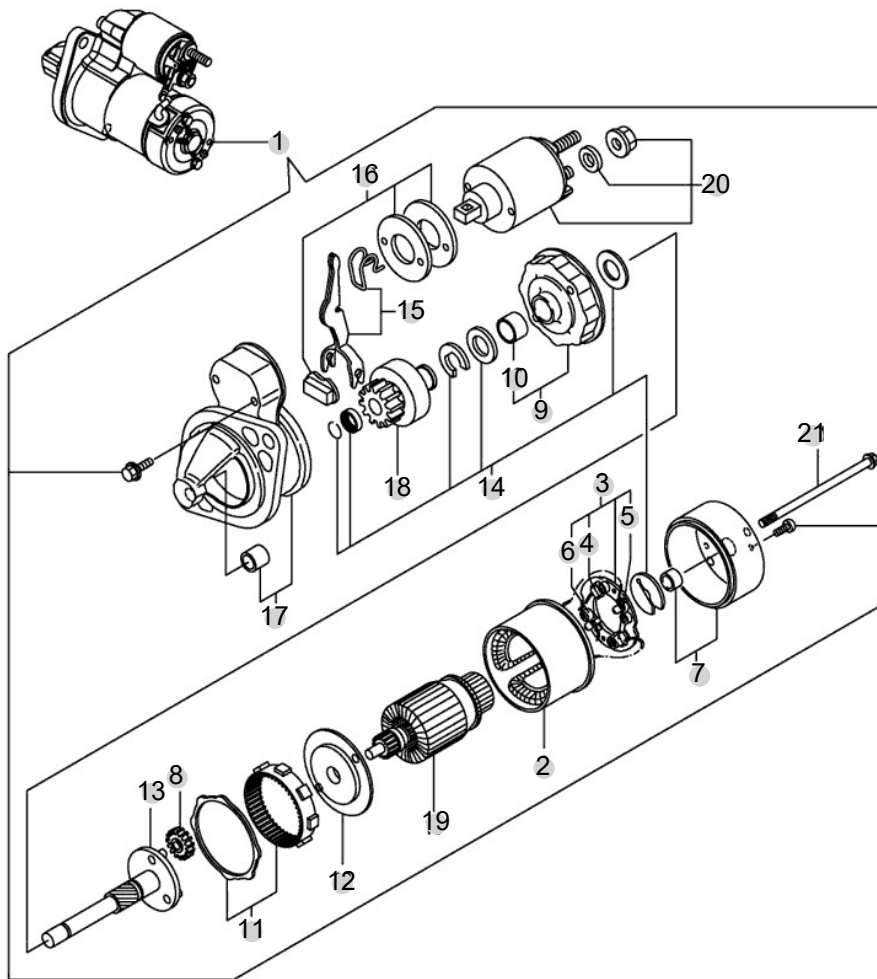
FIG 114

STARTING MOTOR

년/월
Year/Month

2022-12

T25NHAU4



NOTE

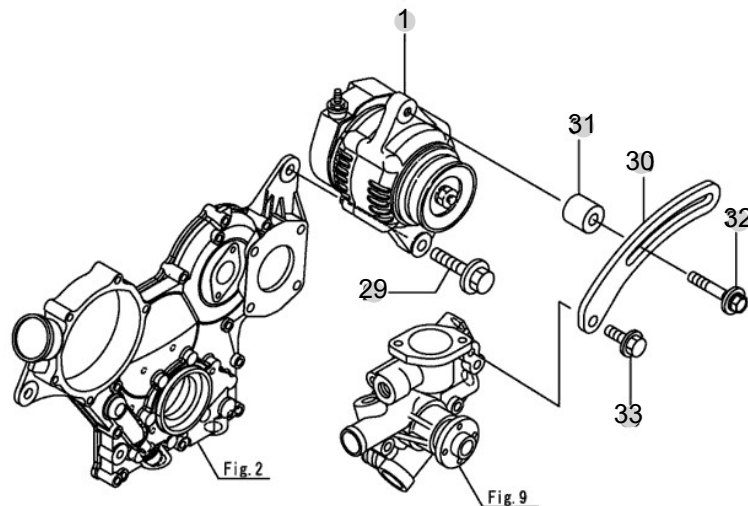
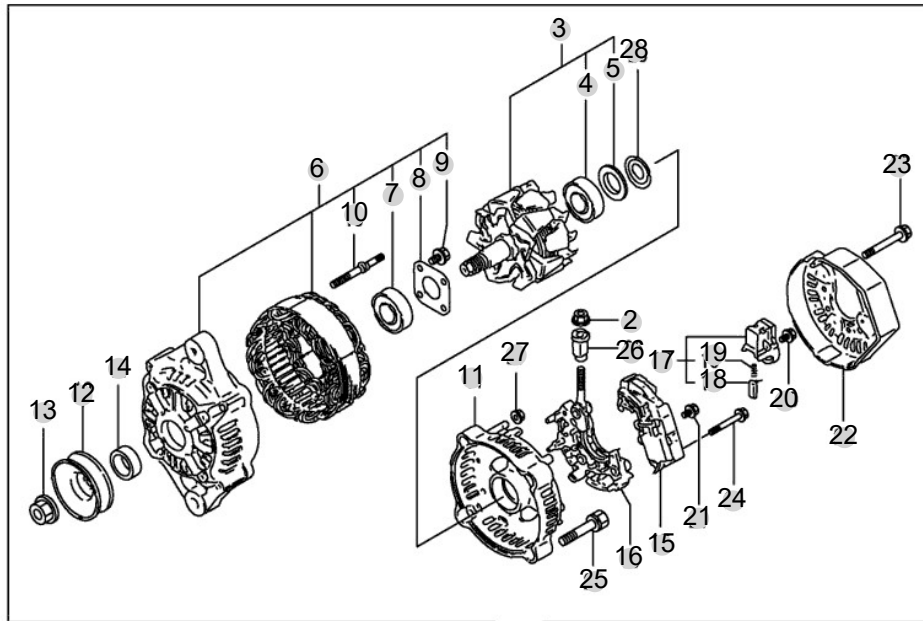
FIG 115

GENERATOR

년/월
Year/Month

2022-12

T25NHAU4



NOTE

FIG 115 T25NHAU4		GENERATOR						년/월 Year/Month
								2022-12
KEY NO	PART NO	DESCRIPTION	SPEC	QTY	REPAIR	EFFECTIVE DATE	REMARKS	
115	1	129423-77210	ALTERNATOR, 12V-40A		1			
115	2	129240-79310	NUT		1			
115	3	119620-77380	ROTOR ASSY		1			
115	4	123501-79240	BEARING, BALL		1			
115	5	119620-79250	COVER, BEARING		1			
115	6	119620-77421	FRAME ASSY, DRIVE		1			
115	7	119620-79200	BEARING, BALL		1			
115	8	119620-79210	PLATE, RETAINER		1			
115	9	119620-79220	SCREW		4			
115	10	119620-79230	STUD		2			
115	11	119620-77440	FRAME ASSY, REAR		1			
115	12	119620-77461	PULLEY, GENERATOR		1			
115	13	119620-77471	NUT		1			
115	14	119620-77490	COLLAR		1			
115	15	129423-77730	REGULATOR ASSY		1			
115	16	119620-79260	HOLDER ASSY		1			
115	17	129052-79270	HOLDER ASSY, BRUSH		1			
115	18	119620-77480	BRUSH ASSY, SUB		2			
115	19	119620-79280	SPRING		2			
115	20	119620-79290	SCREW		6			
115	21	119620-79300	SCREW		1			
115	22	129240-79300	COVER		1			
115	23	119620-79310	BOLT		3			
115	24	119620-79320	SCREW, W/WASHER		2			
115	25	119620-79330	BOLT		2			
115	26	119620-79340	BUSH, INSULATION		1			
115	27	119620-79350	NUT		2			
115	28	119620-79360	WASHER, THRUST		1			
115	29	26106-100452	BOLT, M10X 45 PLATED		1			
115	30	119515-77330	ADJUSTER, BELT		1			
115	31	124732-77340	SPACER, ADJUSTER		1			
115	32	129972-77341	BOLT, ADJUSTER L=50		1			
115	33	26106-080202	BOLT, M8X 20 PLATED		1			
NOTE								

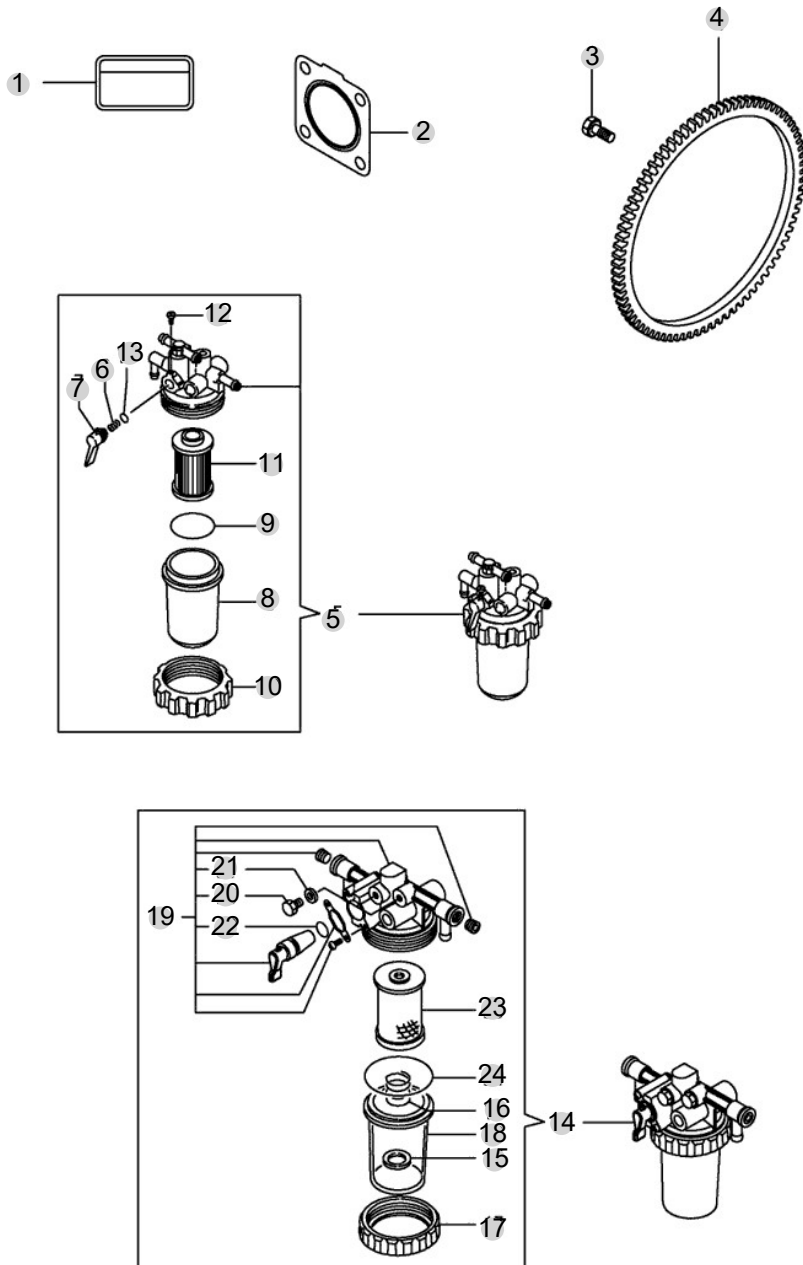
FIG 116

T25NHAU4

ACCESSORY

년/월
Year/Month

2022-12



NOTE

2. 엔진보기품 PART NO. T2

FIG 201 AIR CLEANER	42
FIG 202 RADIATOR	44
FIG 203 MUFFLER	46
FIG 204 FUEL TANK & FUEL LINE	48
FIG 205 ACCELERATOR	50
FIG 206 OIL COOLER	52

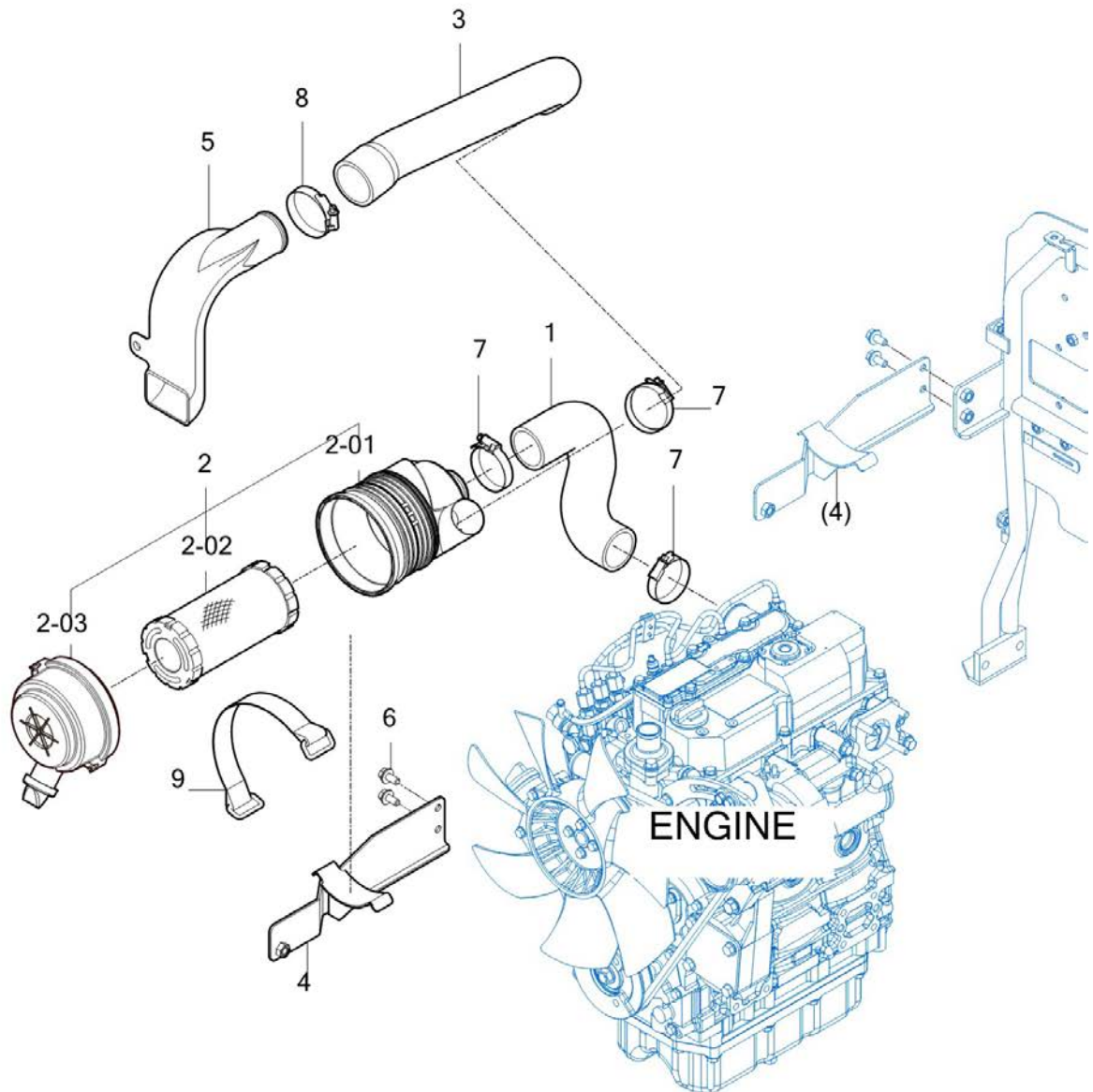
FIG 201

AIR CLEANER

년/월
Year/Month

2022-12

T25NHAU4



NOTE

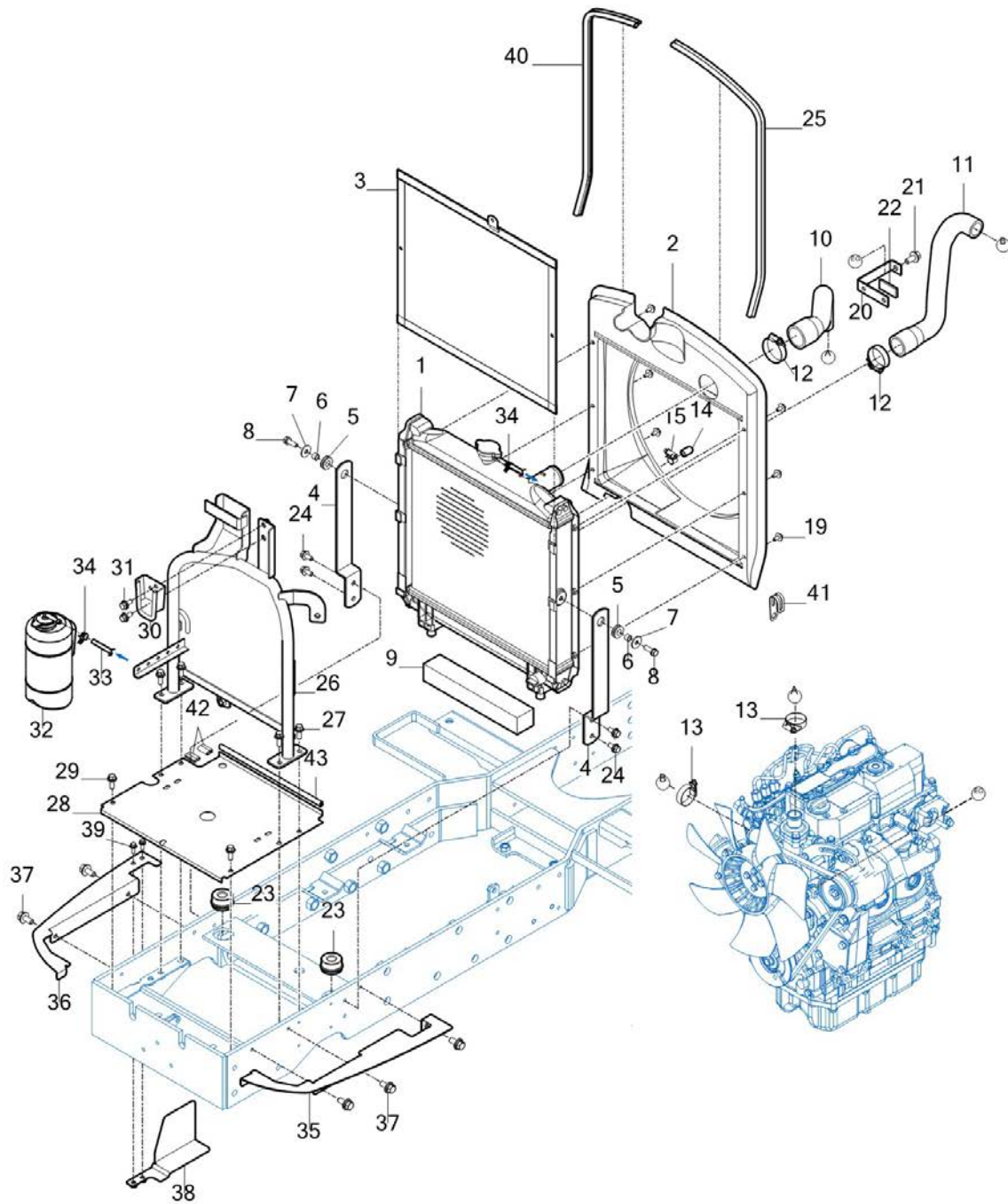
FIG 202

RADIATOR

년/월
Year/Month

2022-12

T25NHAU4



NOTE

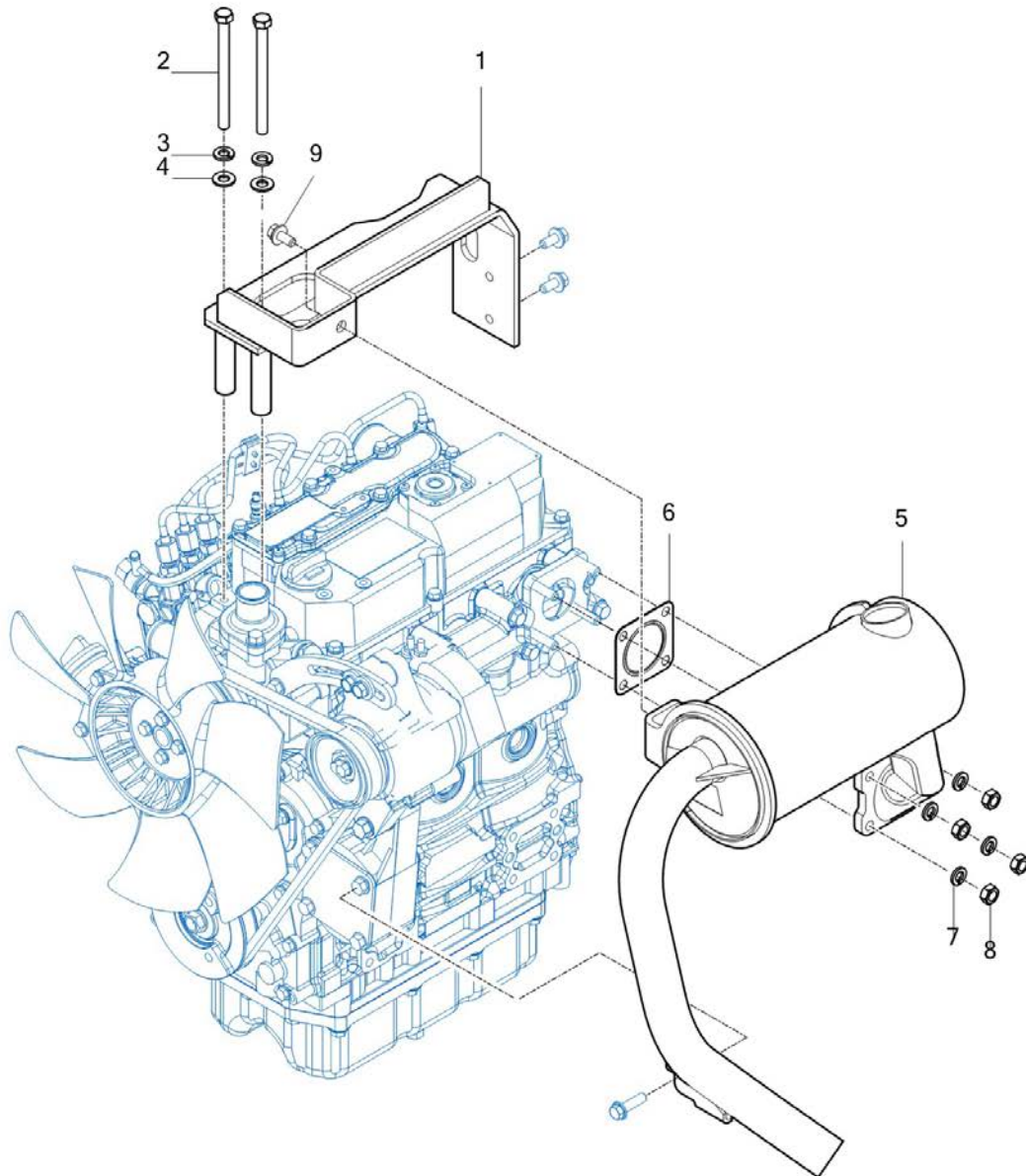
FIG 203

T25NHAU4

MUFFLER

년/월
Year/Month

2022-12



NOTE

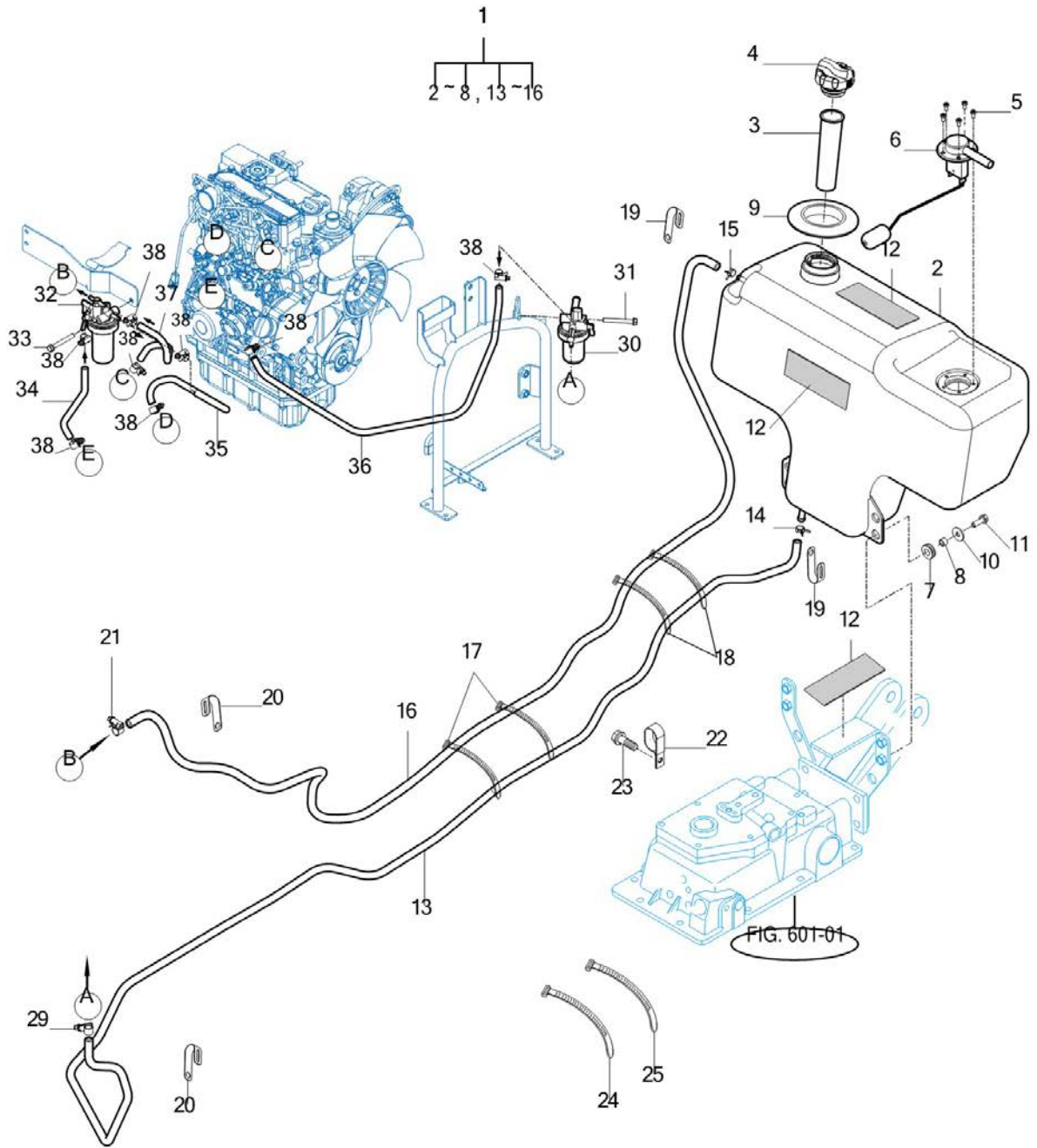
FIG 204

FUEL TANK & FUEL LINE

년/월
Year/Month

2022-12

T25NHAU4



NOTE

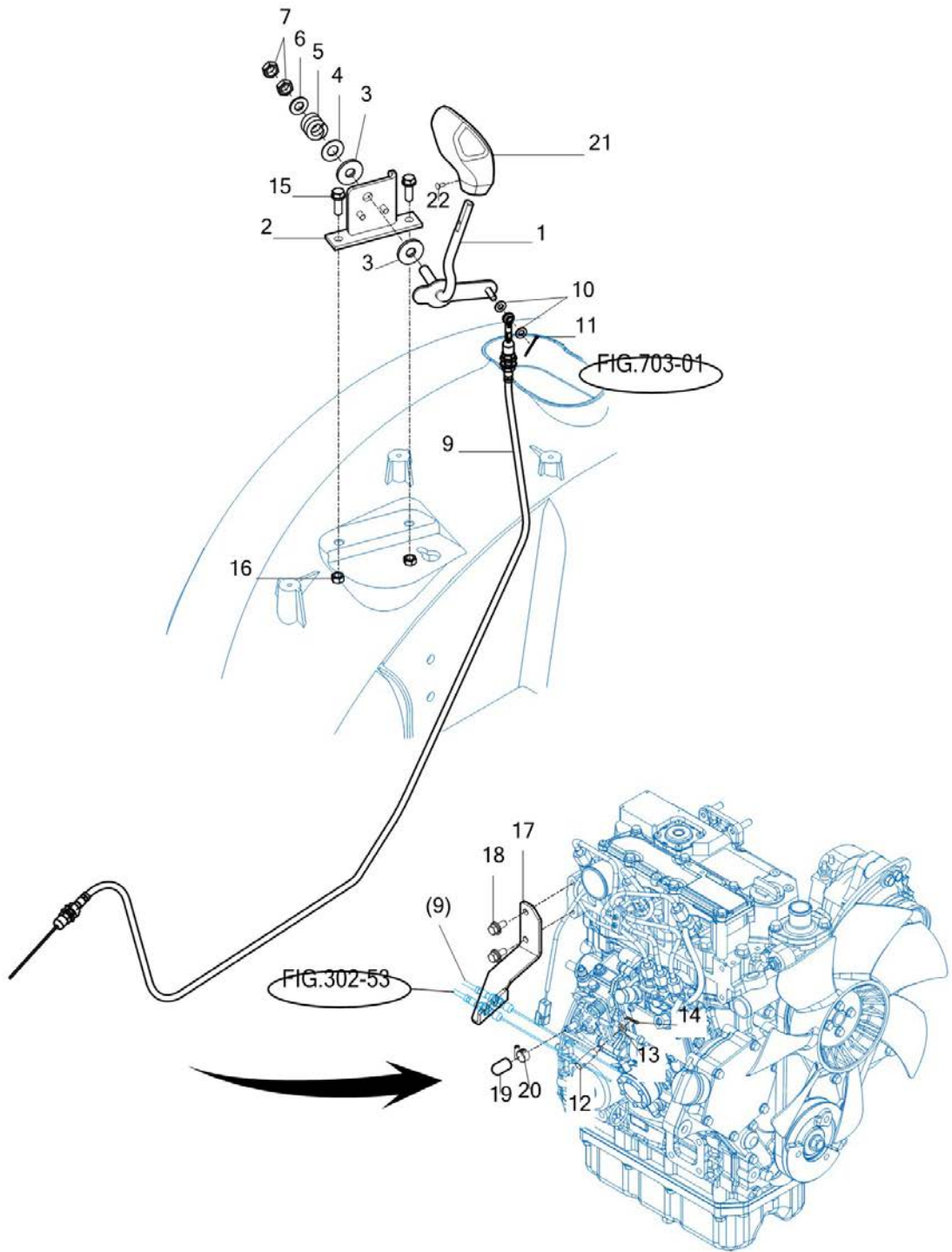
FIG 205

ACCELERATOR

년/월
Year/Month

2022-12

T25NHAU4



NOTE

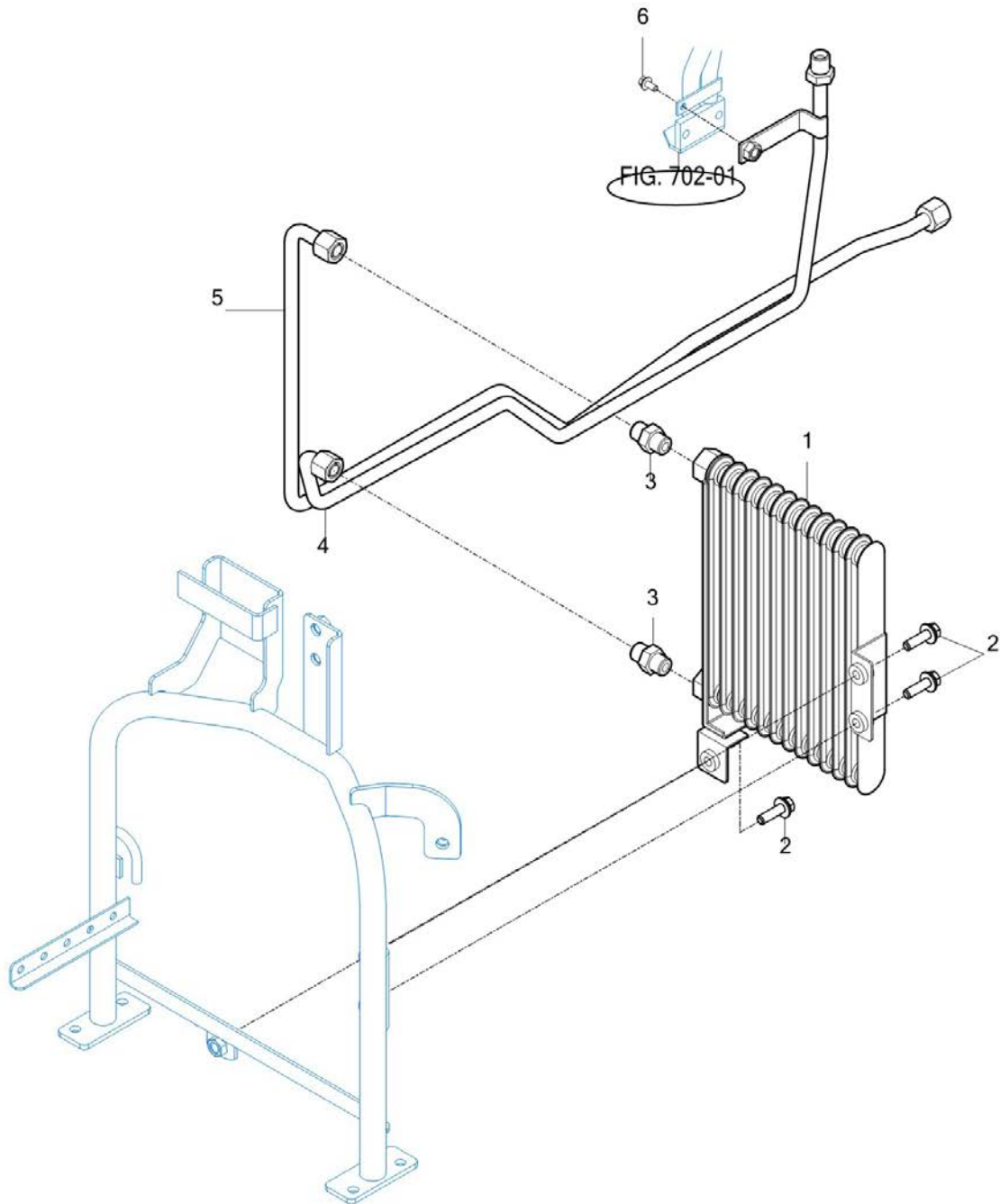
FIG 206

T25NHAU4

OIL COOLER

년/월
Year/Month

2022-12



NOTE

3. 클러치/브레이크/스티어링 PART NO. T3

FIG 301 FLYWHEEL COVER	55
FIG 302 SPEED CONTROL	57
FIG 303 BRAKE	60
FIG 304 BRAKE PEDAL & LINKAGE	62
FIG 305 STEERING WHEEL & DASH COVER	64
FIG 306 STEERING VALVE	66
FIG 307 STEERING CYLINDER	68
FIG 308 FRONT WHEEL	70
FIG 309 REAR WHEEL	72

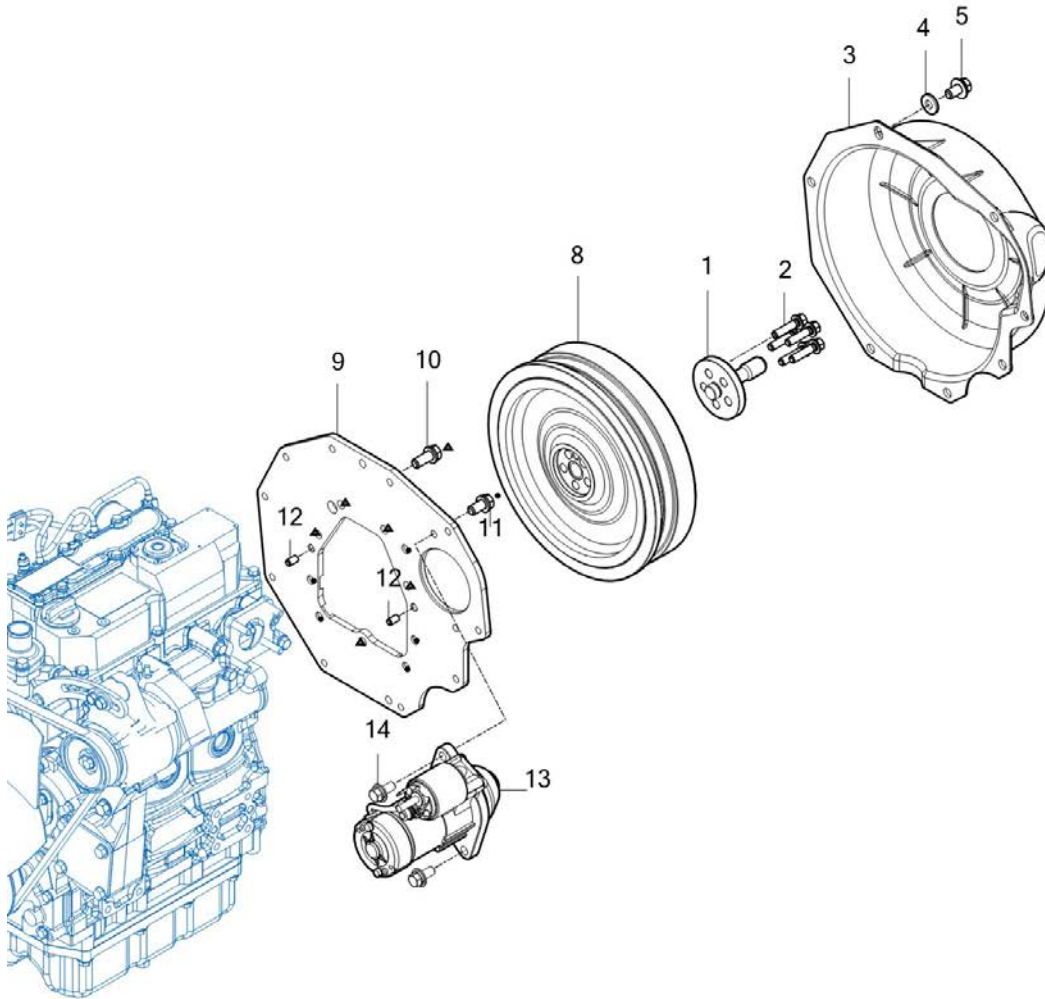
FIG 301

T25NHAU4

FLYWHEEL COVER

년/월
Year/Month

2022-12



NOTE

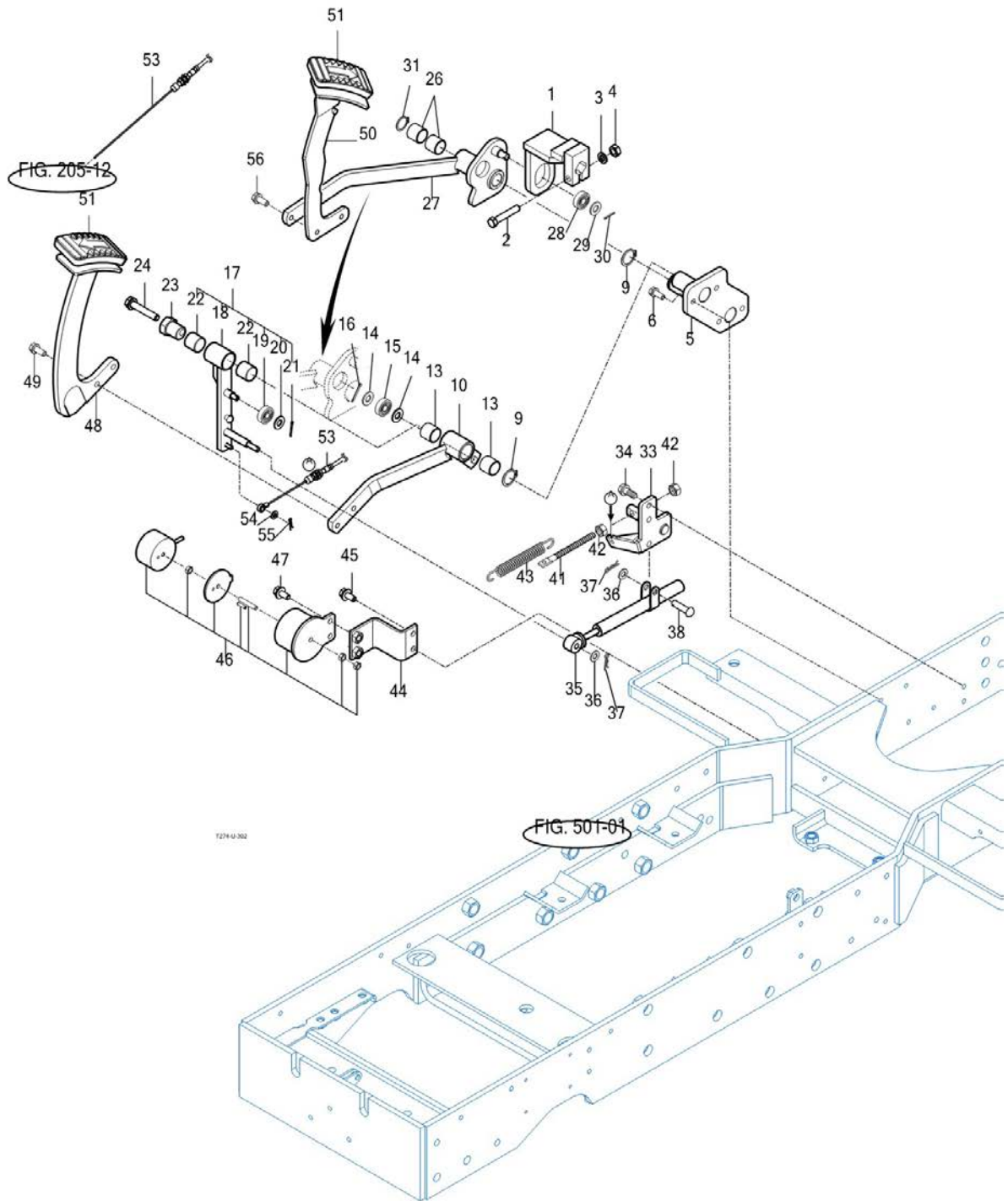
FIG 302

SPEED CONTROL

년/월
Year/Month

2022-12

T25NHAU4



NOTE

FIG 302		SPEED CONTROL					년/월 Year/Month		
							2022-12		
T25NHAU4		KEY NO	PART NO	DESCRIPTION	SPEC	QTY	REPAIR	EFFECTIVE DATE	REMARKS
302	1	11972322101	홀더 COMP			1			
302	1	11972322101	홀더 COMP			1			
302	2	V2013608045	소형육각볼트(보통)	M10X55		1			
302	2	V2013608045	소형육각볼트(보통)			1			
302	3	V4011600080	스프링와셔	M8		1			
302	3	V4011600080	스프링와셔			1			
302	4	V3042600080	소형육각너트보통2종	M8		1			
302	4	V3042600080	소형육각너트보통2종			1			
302	5	11972322200GB	핀 COMP			1			
302	6	V2173608020	소형육각볼트보통(S)	M8X20		4			
302	9	V7041400200	C형멈춤링(축용)	20		2			
302	10	11972323200GB	암(전진) COMP			1			
302	13	11972320030	DU부시(25X28X20)			2			
302	14	V4111600100	평와셔	M10		2			
302	15	V6001506000	볼베어링	6000DD		1			
302	16	V5001920015	분할핀	2X15		1			
302	17	11972324000	캠 SUB ASSY			1			
302	18	11972324100GB	암(캠) COMP			1			
302	19	14722310060	볼베어링(608DD)			1			
302	20	V4111600080	평와셔	M8		1			
302	21	V5001920015	분할핀	2x15		1			
302	22	11972320030	DU부시(25X28X20)			2			
302	23	11972320020	핀(중립)			1			
302	24	V2143610080	소형육각볼트가는(S)	M10X50		1			
302	26	11972320040	DU부시(25X28X30)			2			
302	27	11972322300GB	암 COMP(후진)			1			
302	28	V6001506000	볼베어링	6000DD		1			
302	29	V4111600100	평와셔	M10		1			
302	30	V5001920015	분할핀	2X15		1			
302	31	V7041400250	C형멈춤링(축용)			1			
302	33	11972325100GB	핀(스프링) COMP			1			
302	34	V2173608025	소형육각볼트보통(S)	M8X25		2			
302	35	13152312400	오일 댐퍼			1			
302	36	V4111600080	평와셔	M8		4			
302	37	V5601600008	스냅핀	8		4			
302	38	14043120060	요오크핀 (A)			1			
302	41	34522150080	체인 텐션 로드(82)			1			
302	42	V3043600080	소형육각너트보통2종	M8		2			
302	43	14722310033	스프링(리턴)			1			
302	44	13152332103DG	브래킷(크루즈) COMP			1			
302	44	13152332103GB	브래킷(크루즈) COMP			1			
302	45	V2173608020	소형육각볼트보통(S)	M8X20		2			
302	46	12382323000	크루저 컨트롤 마그네틱 ASSY			1			
302	46	12382323001	크루저 컨트롤 마그네틱 ASSY			1			
302	47	V2173608020	소형육각볼트보통(S)	M8X20		2			
NOTE									

FIG 302 T25NHAU4		SPEED CONTROL						년/월 Year/Month	
		2022-12							
KEY NO	PART NO	DESCRIPTION	SPEC	QTY	REPAIR	EFFECTIVE DATE	REMARKS		
302	48	13152323303	페달(전진) COMP		1				
302	49	V2173608020	소형육각볼트보통(S)	M8X20	2				
302	50	11972322400GB	페달(후진) COMP		1				
302	51	14722312730	패드		2				
302	53	11971162000	케이블 ASSY , 오토스로틀		1				
302	54	V4111600060	평와셔	M6	1				
302	55	V5601600006	스냅핀		1				
302	56	V2183608020	소형육각볼트보통(SP)	M8X20	2				
NOTE									

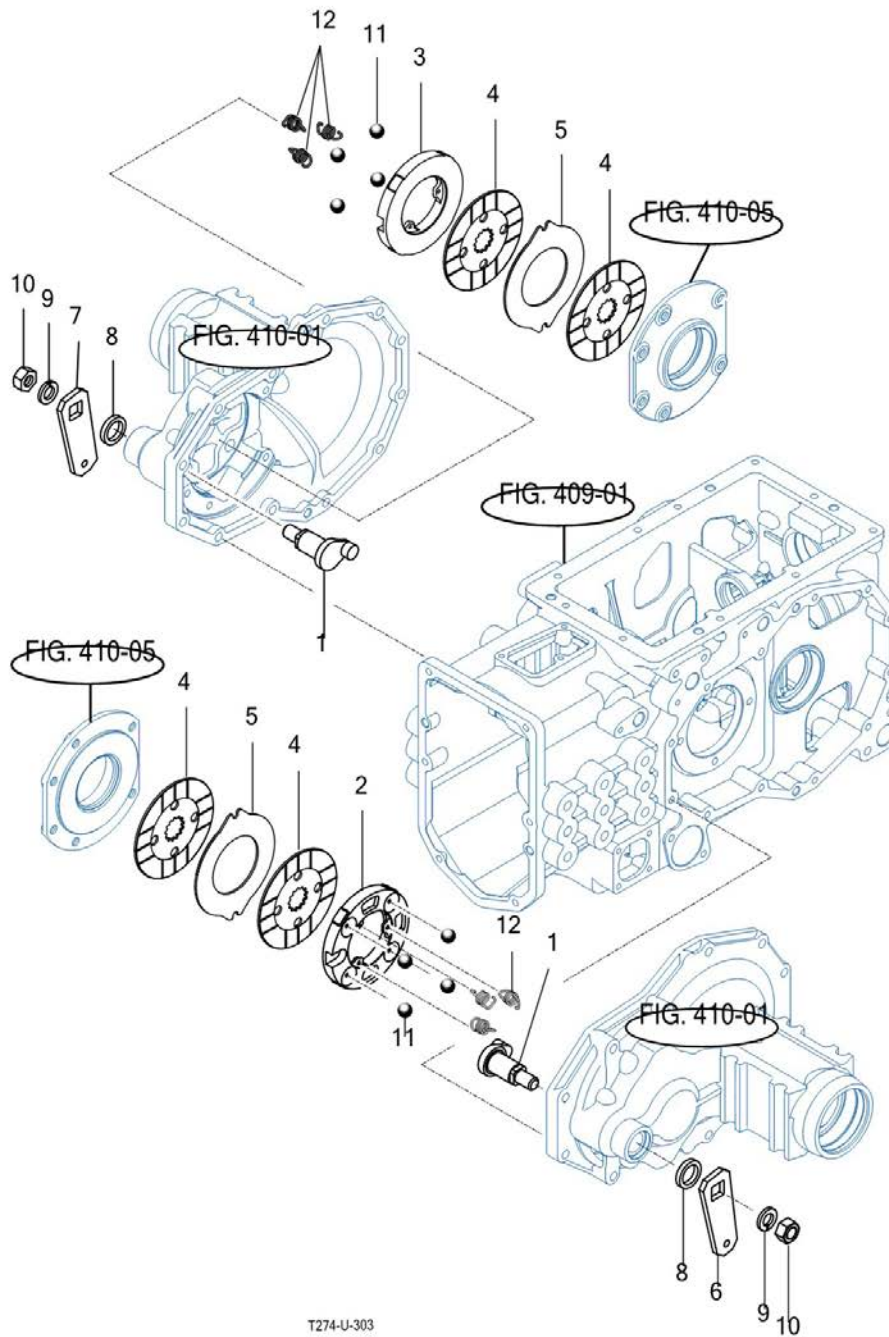
FIG 303

T25NHAU4

BRAKE

년/월
Year/Month

2022-12



NOTE

FIG 303 T25NHAU4		BRAKE						년/월 Year/Month	
								2022-12	
KEY NO	PART NO	DESCRIPTION	SPEC	QTY	REPAIR	EFFECTIVE DATE	REMARKS		
303	1	16703270011	캠						
303	2	13153270021M	브레이크 메탈(LH)						
303	3	13153270041M	브레이크 메탈(RH)						
303	4	13153272100	디스크 플레이트						
303	5	13153270030	세파레이터 플레이트						
303	6	13153270090	브레이크암						
303	7	13153270090	브레이크암						
303	8	V7441253506	오일살(D)						
303	9	V4011600160	스프링와셔	M16					
303	10	V3343600160	소형육각너트가는2종	M16					
303	11	V6802000019	볼						
303	12	16703272030	리턴스프링						
NOTE									

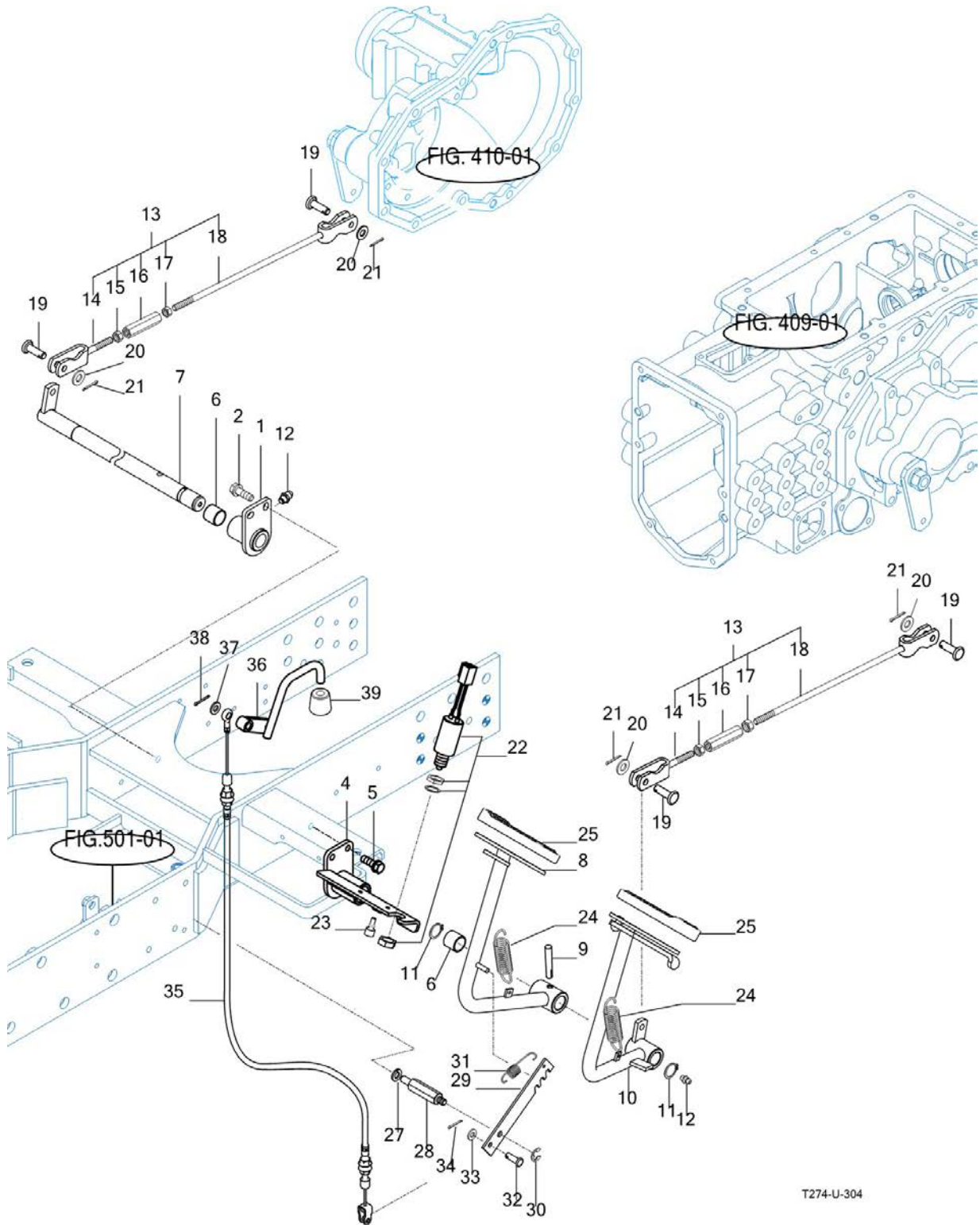
FIG 304

T25NHAU4

BRAKE PEDAL & LINKAGE

년/월
Year/Month

2022-12



NOTE

FIG 304 T25NHAU4		BRAKE PEDAL & LINKAGE					년/월 Year/Month	
							2022-12	
KEY NO		PART NO	DESCRIPTION	SPEC	QTY	REPAIR	EFFECTIVE DATE	REMARKS
304	1	13153282104GB	브레이크 허브 COMP(우)		1			
304	2	V2173608020	소형육각볼트보통(S)	M8X20	2			
304	4	13153282204GB	브레이크 허브 COMP(좌)		1			
304	5	V2173608020	소형육각볼트보통(S)	M8X20	2			
304	6	36707030080	부시(20X23X20)		2			
304	7	13153282303GB	브레이크 암 COMP(우)		1			
304	7	13153282303	브레이크 암 COMP(우)		1			
304	8	13153283103GB	브레이크 페달 COMP(우)		1			
304	9	V5801406032	스프링핀	6X32	1			
304	10	13153283203GB	브레이크 페달 COMP(좌)		1			
304	11	V7041400200	C형멈춤링(축용)	20	2			
304	12	V7601500000	그리스니플(A-M6F)		2			
304	13	13153284002	브레이크 로드 ASSY		2			
304	14	14573282200	로드(후크,100) COMP		2			
304	15	V3043600080	소형육각너트보통2종	M8	2			
304	16	16601220020	터언버클(M8,60)		2			
304	17	15601320073	육각너트(SM,LH,M8)		2			
304	18	13153284101	후크 로드 COMP		2			
304	19	21443370020	핀 (08X25)		4			
304	20	V4111600080	평와셔	M8	4			
304	21	V5001920015	분할핀	2X15	4			
304	22	13153285001	브레이크 스위치 ASSY		1			
304	23	21004100070	묘이송암스토퍼		2			
304	24	13153280061	스프링(브레이크)		2			
304	25	13153280050	패드		2			
304	27	V4011600080	스프링와셔	M8	1			
304	28	13153280023	주차브레이크 핀		1			
304	29	13153280032GB	주차브레이크 스토퍼		1			
304	30	V7081400060	E형멈춤링	6	1			
304	31	13153280040	파킹 스프링		1			
304	32	16177020090	핀 (6X15)	6X15	1			
304	33	V4111600060	평와셔	M6	1			
304	34	V5001920015	분할핀	2X15	1			
304	35	13153286301	주차브레이크 케이블 ASSY		1			
304	36	13156301001GB	레버 조합		1			
304	37	V4111600060	평와셔	M6	1			
304	38	V5001925020	핀	2.5X20	1			
304	39	12121120090	손잡이		1			
NOTE								

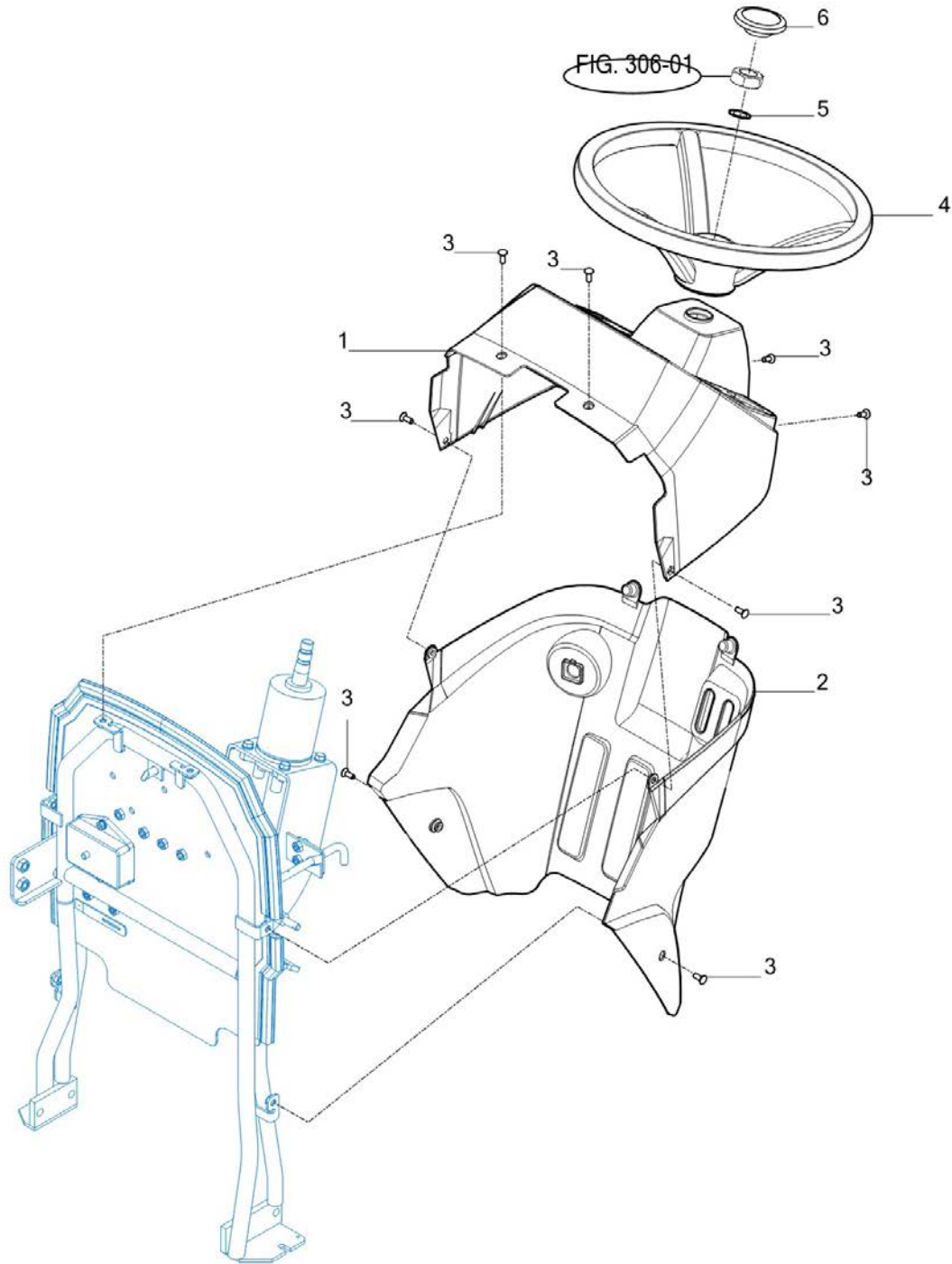
FIG 305

T25NHAU4

STEERING WHEEL & DASH COVER

년/월
Year/Month

2022-12



NOTE

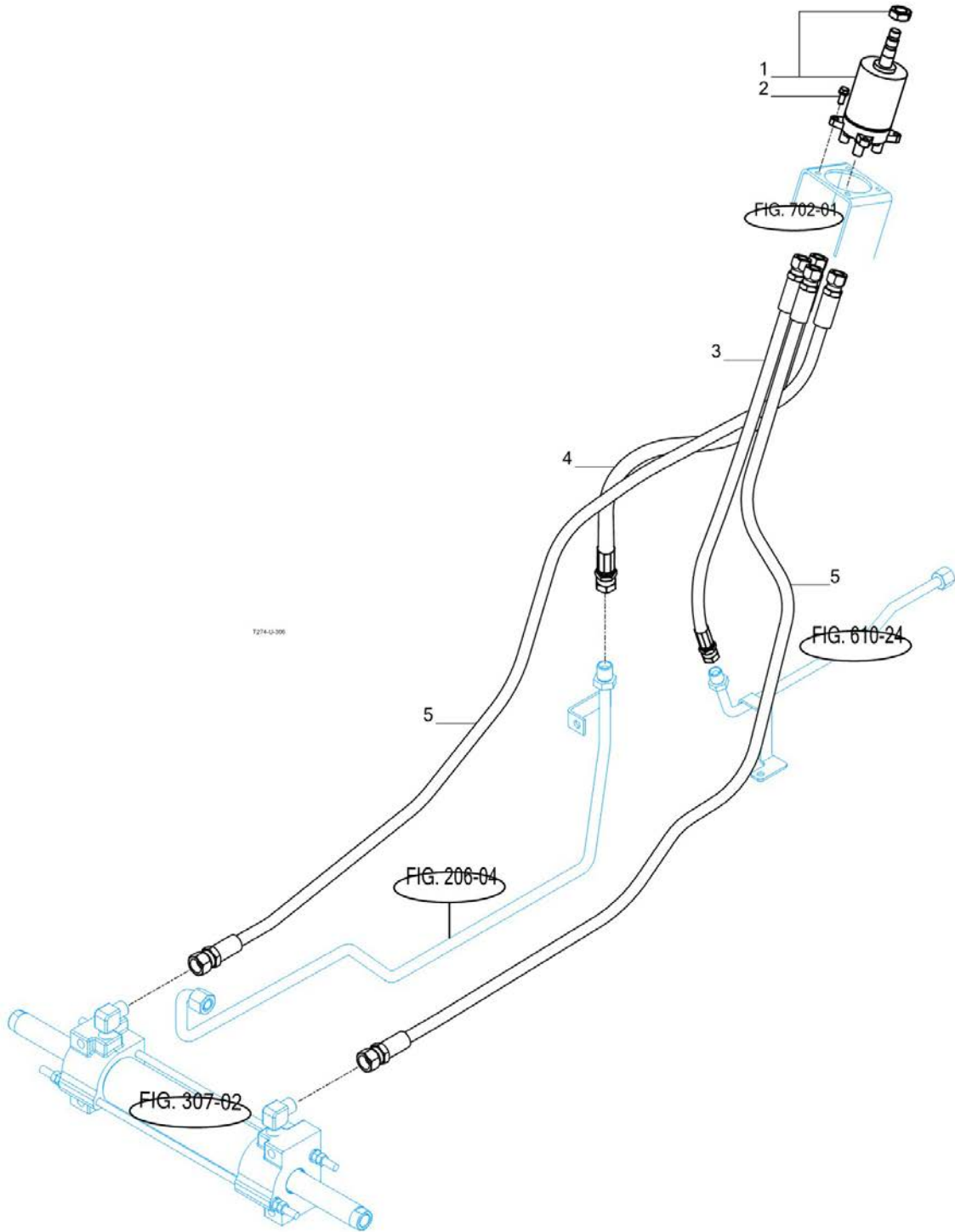
FIG 306

T25NHAU4

STEERING VALVE

년/월
Year/Month

2022-12



NOTE

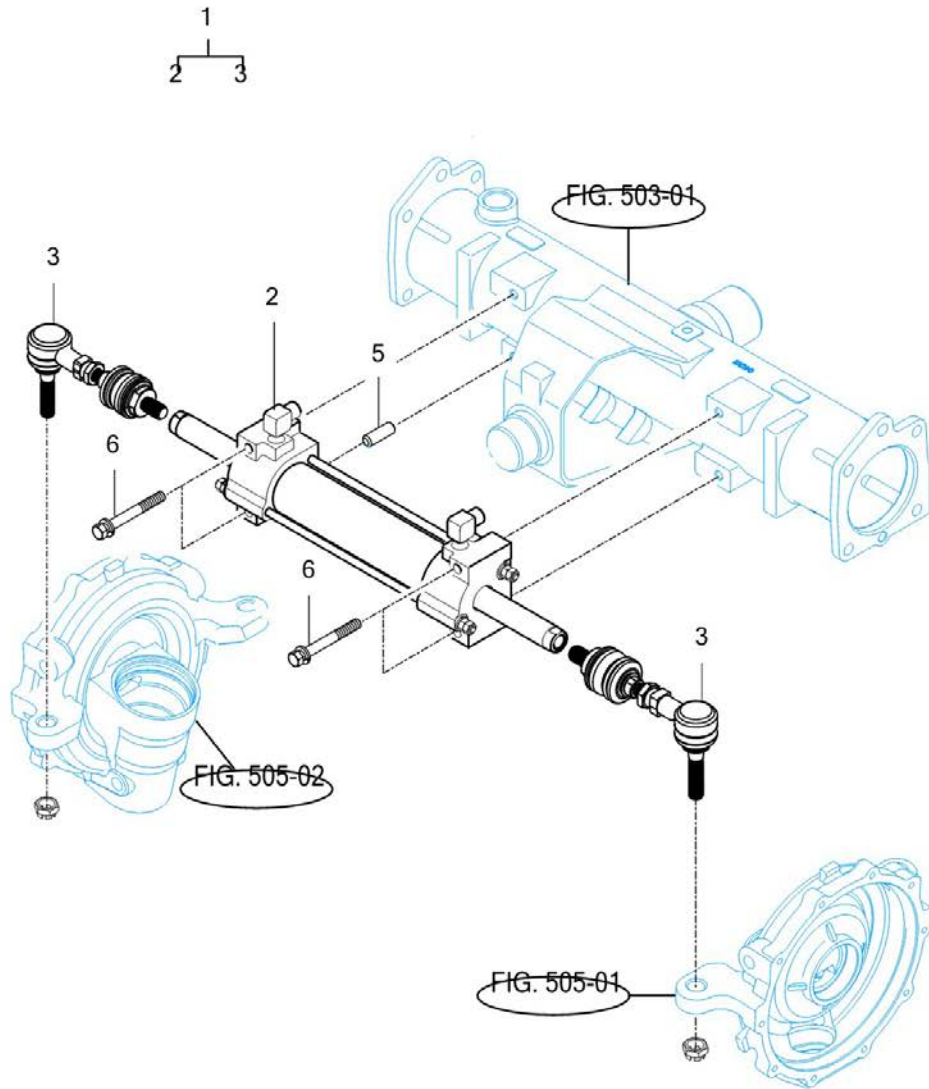
FIG 307

T25NHAU4

STEERING CYLINDER

년/월
Year/Month

2022-12



NOTE

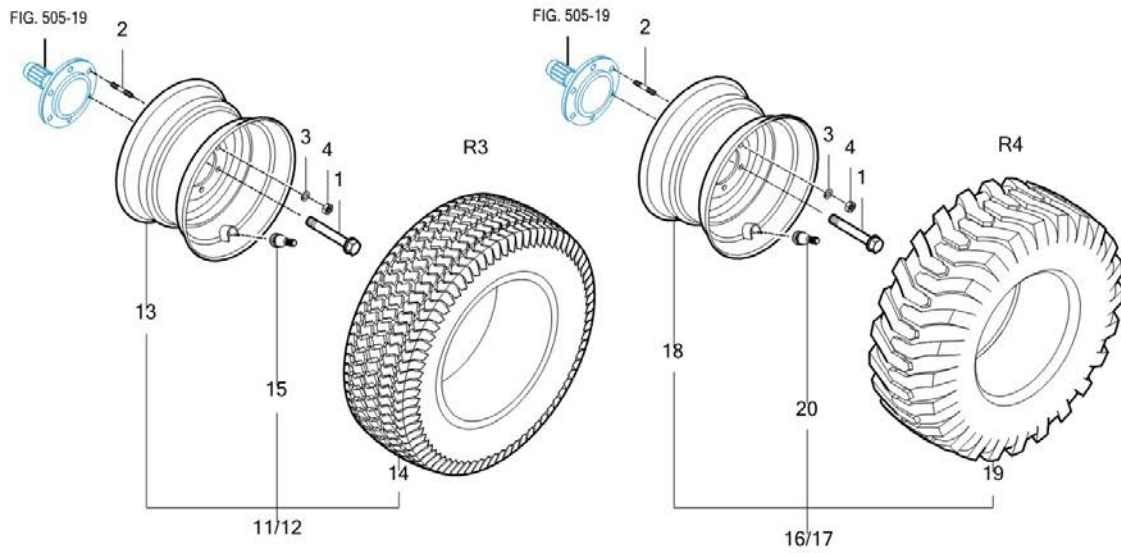
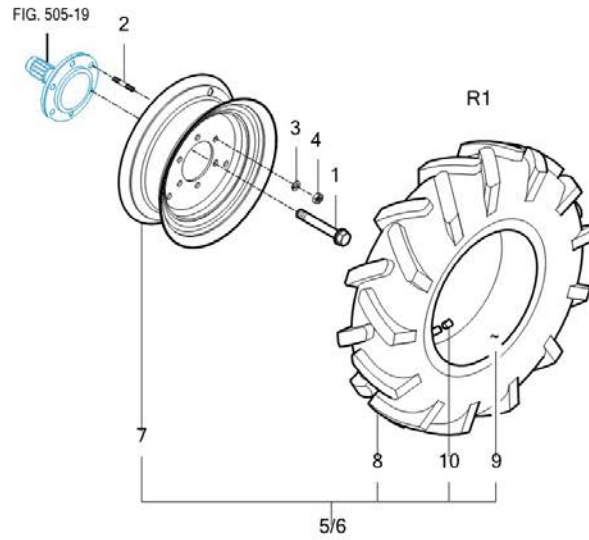
FIG 308

T25NHAU4

FRONT WHEEL

년/월
Year/Month

2022-12



NOTE

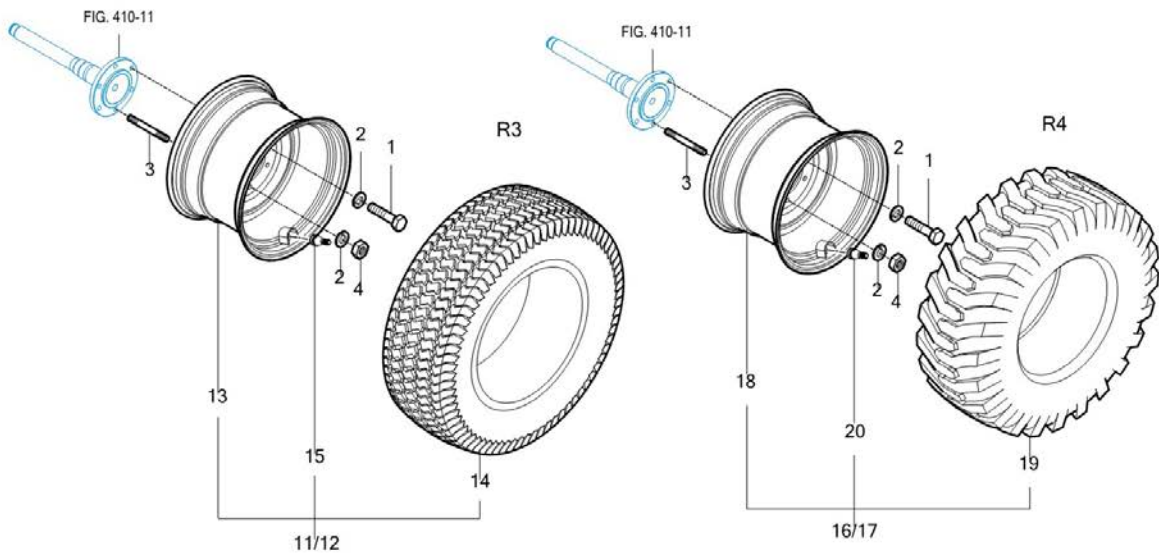
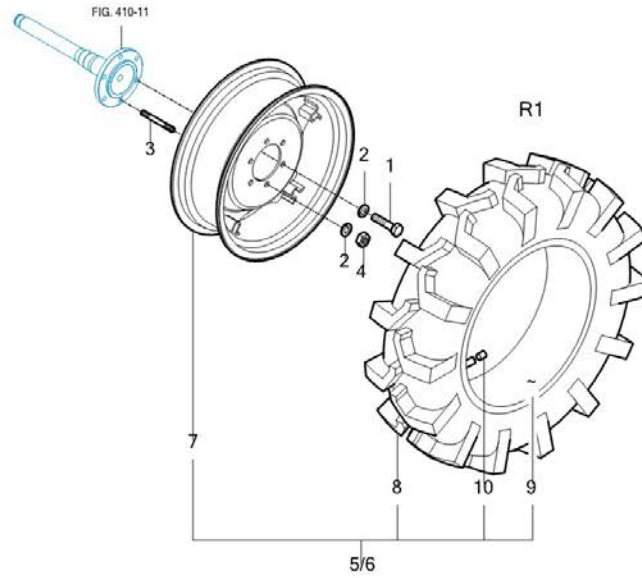
FIG 309

T25NHAU4

REAR WHEEL

년/월
Year/Month

2022-12



NOTE

4. 트랜스미션 PART NO. T4

FIG 401 INPUT SHAFT	75
FIG 402 HST	77
FIG 403 4WD DRIVE GEAR	79
FIG 404 RANGE GEARS	81
FIG 405 P.T.O DRIVE SHAFT	83
FIG 406 P.T.O SHAFT	85
FIG 408 DIFF LOCK	87
FIG 409 REAR TRANSMISSION CASE	89
FIG 410 REAR AXLE HOUSINGS	91
FIG 411 RANGE SHIFT LEVER	93
FIG 412 P.T.O CHANGE LEVER	95
FIG 413 4WD CHANGE LEVER	97

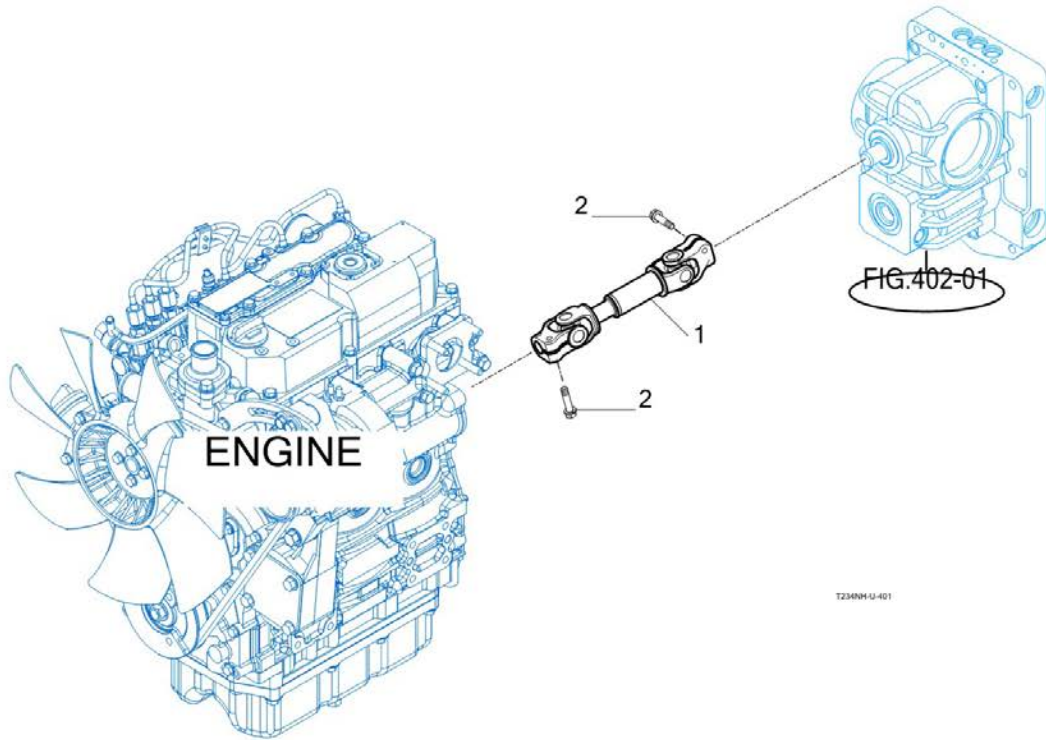
FIG 401

T25NHAU4

INPUT SHAFT

년/월
Year/Month

2022-12



NOTE

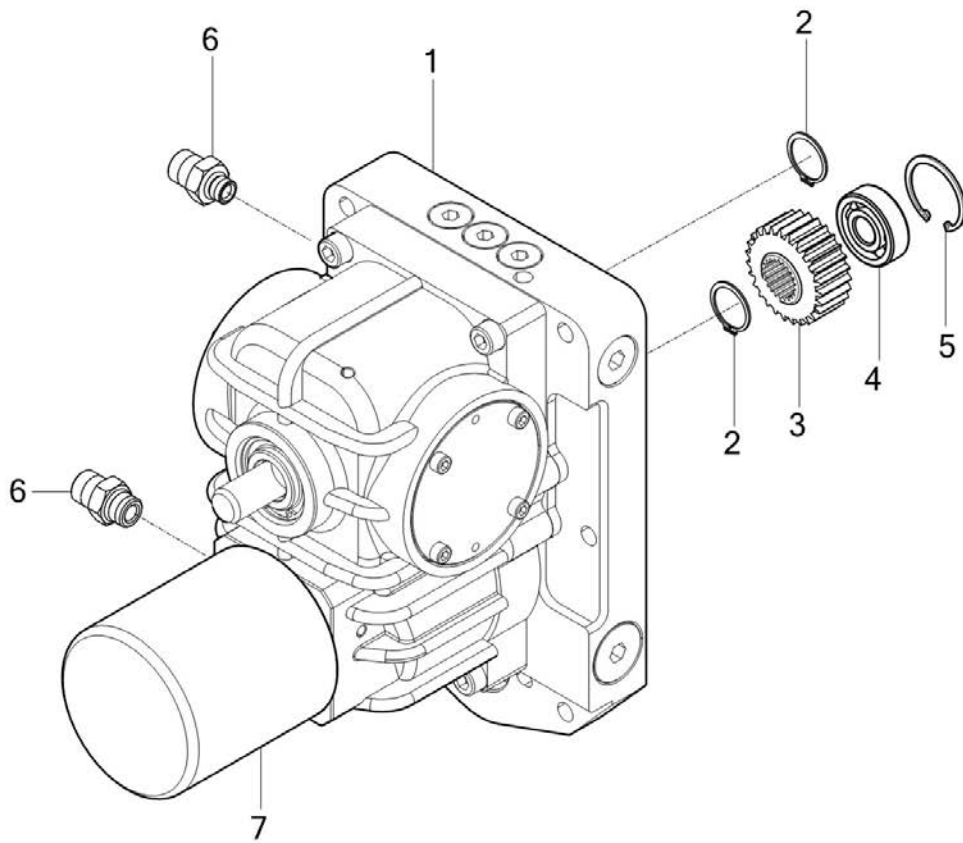
FIG 402

T25NHAU4

HST

년/월
Year/Month

2022-12



NOTE

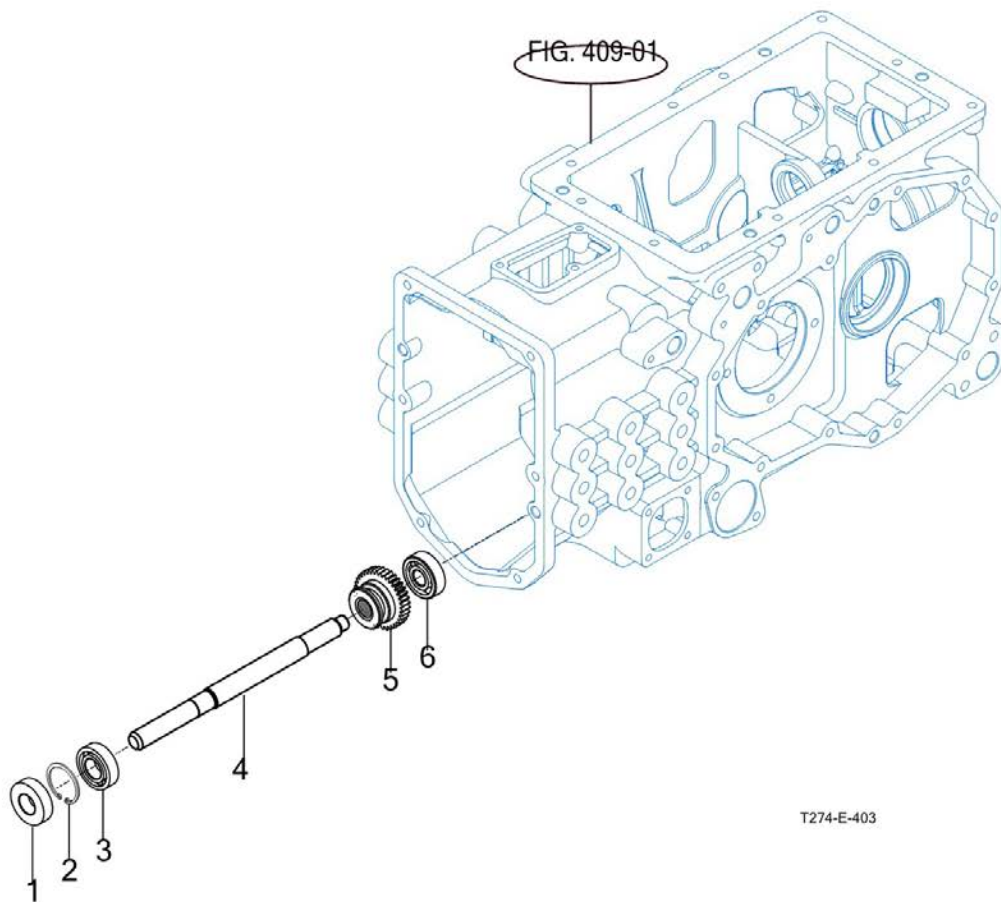
FIG 403

T25NHAU4

4WD DRIVE GEAR

년/월
Year/Month

2022-12



NOTE

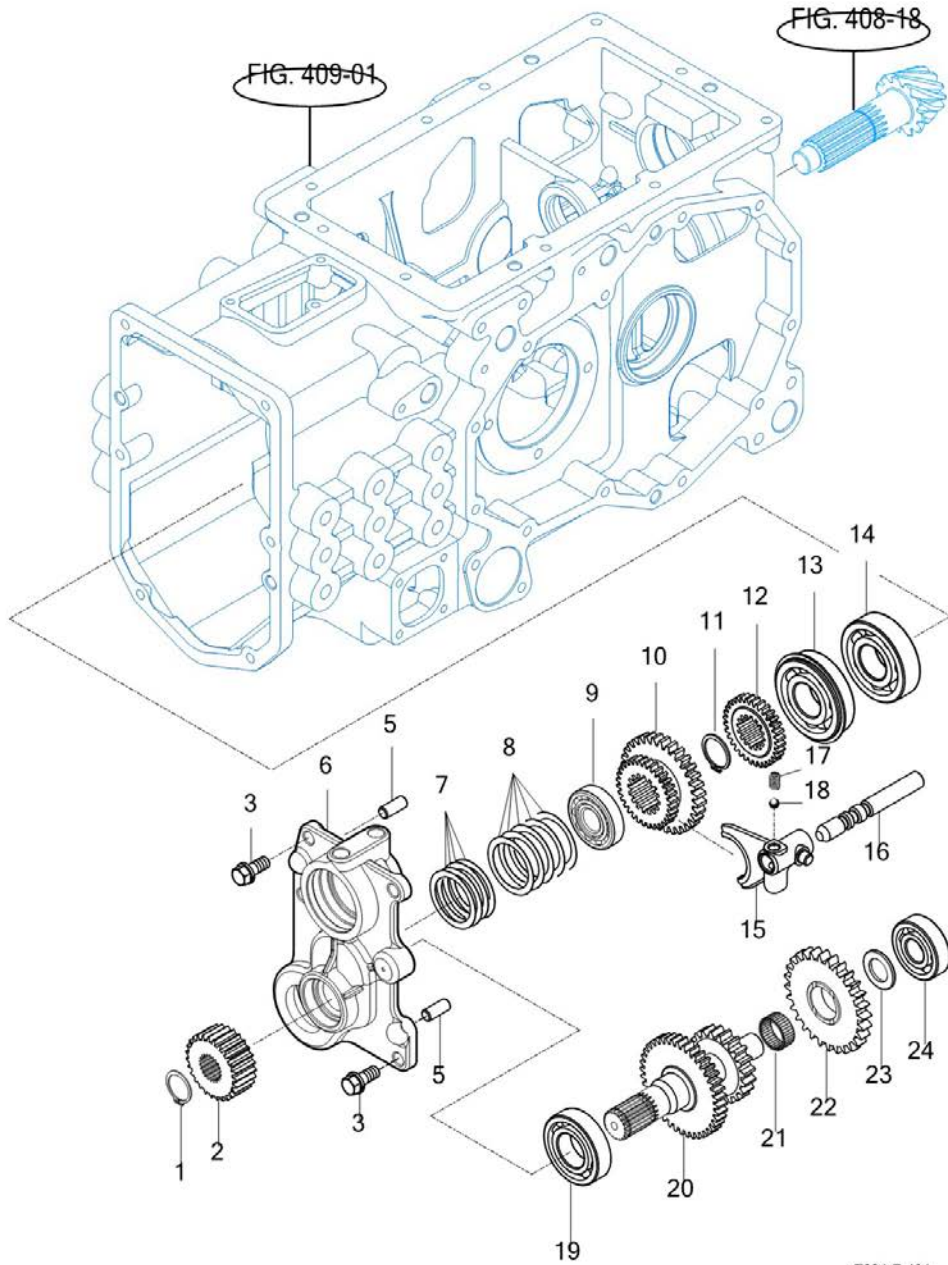
FIG 404

RANGE GEARS

년/월
Year/Month

2022-12

T25NHAU4



T234-E-404

NOTE

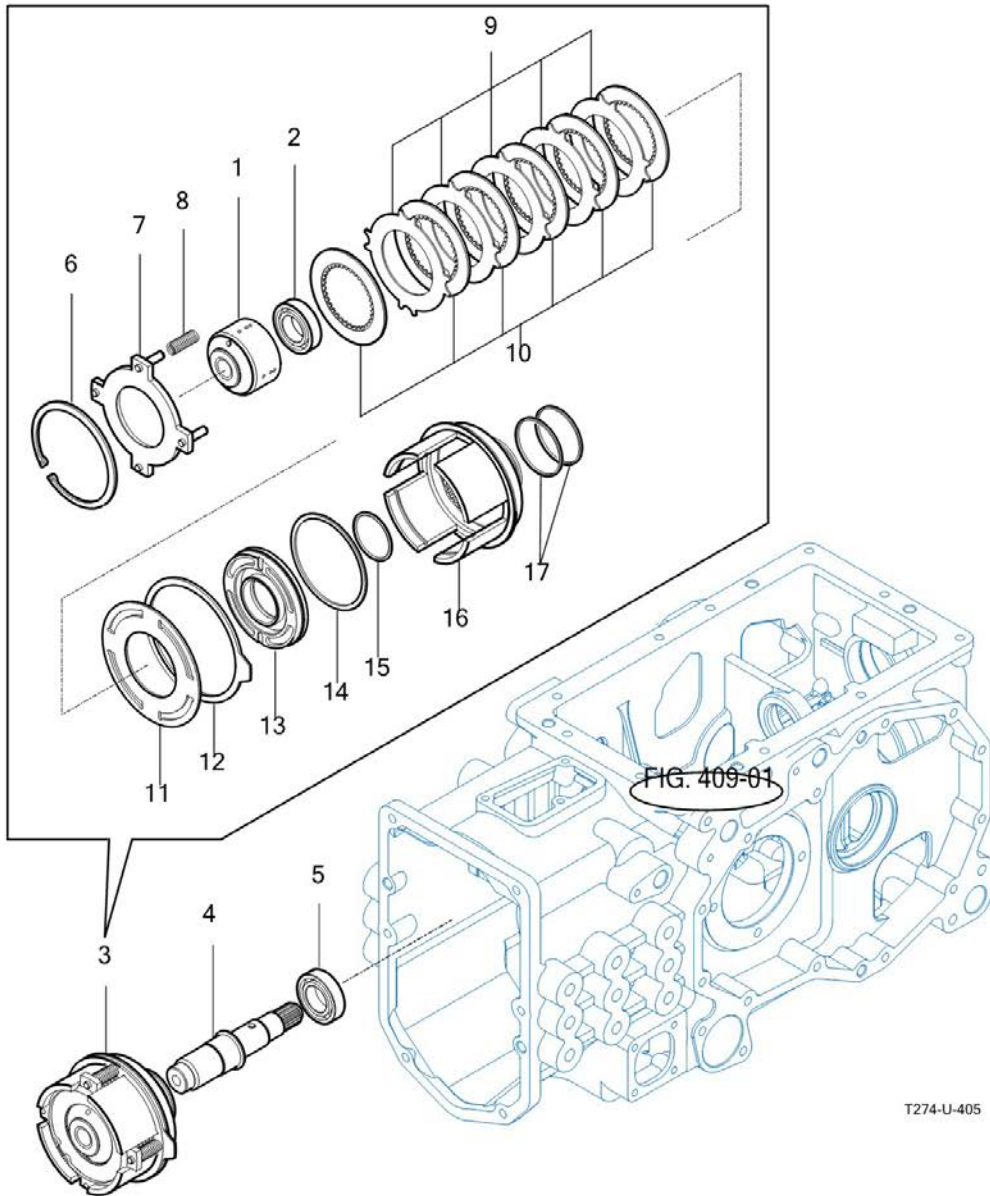
FIG 405

T25NHAU4

P.T.O DRIVE SHAFT

년/월
Year/Month

2022-12



T274-U-405

NOTE

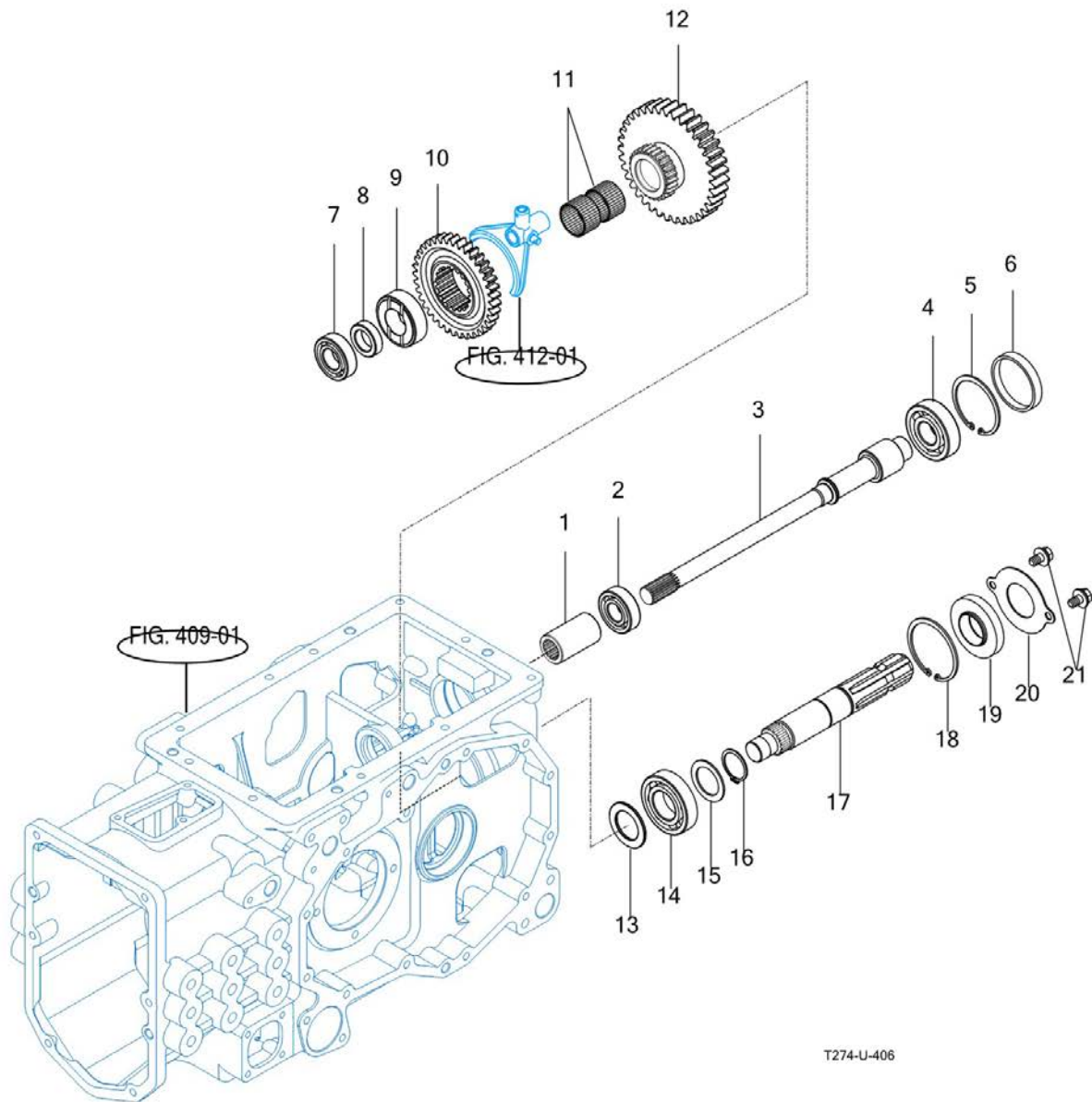
FIG 406

T25NHAU4

P.T.O SHAFT

년/월
Year/Month

2022-12



NOTE

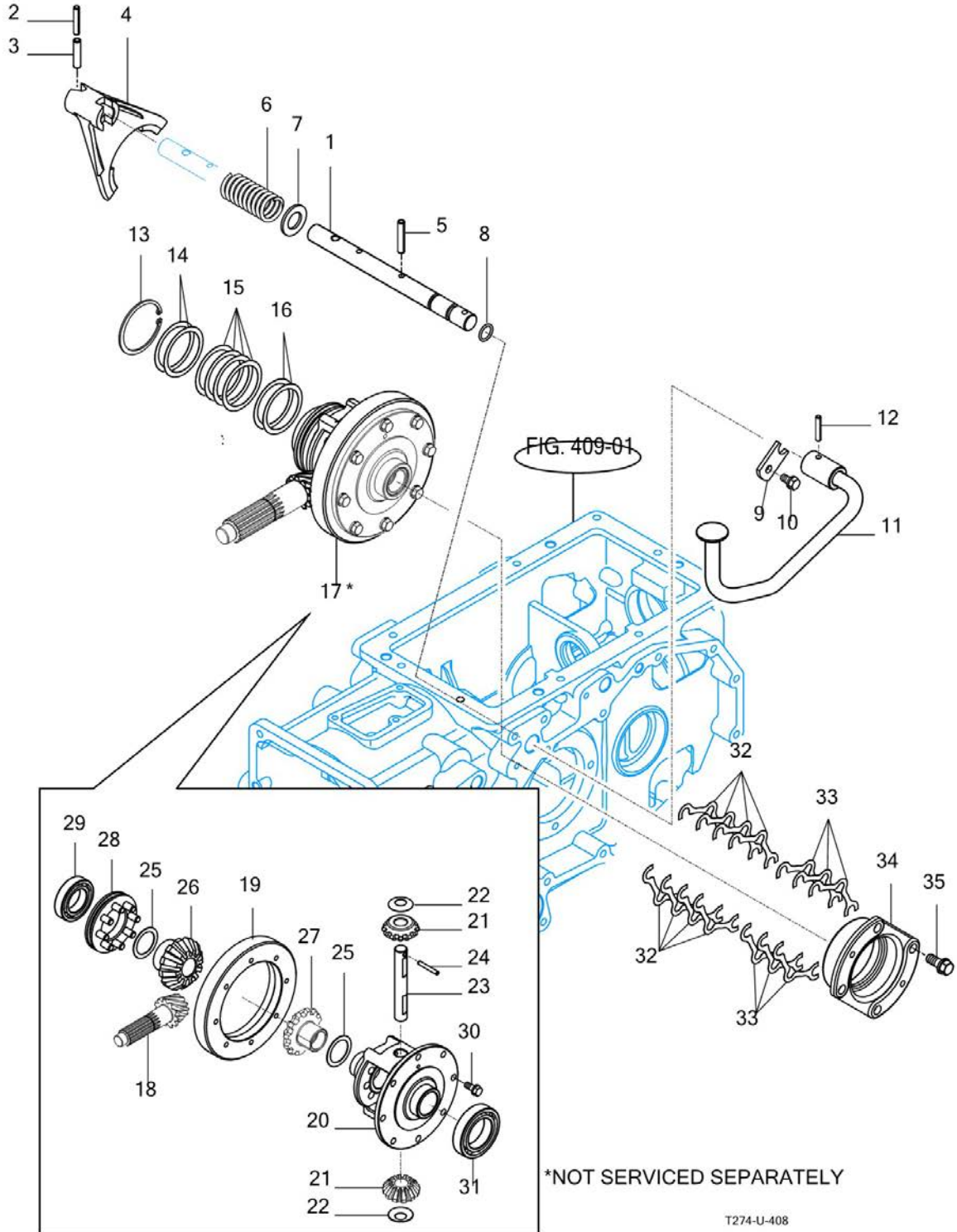
FIG 408

DIFF LOCK

년/월
Year/Month

T25NHAU4

2022-12



NOTE

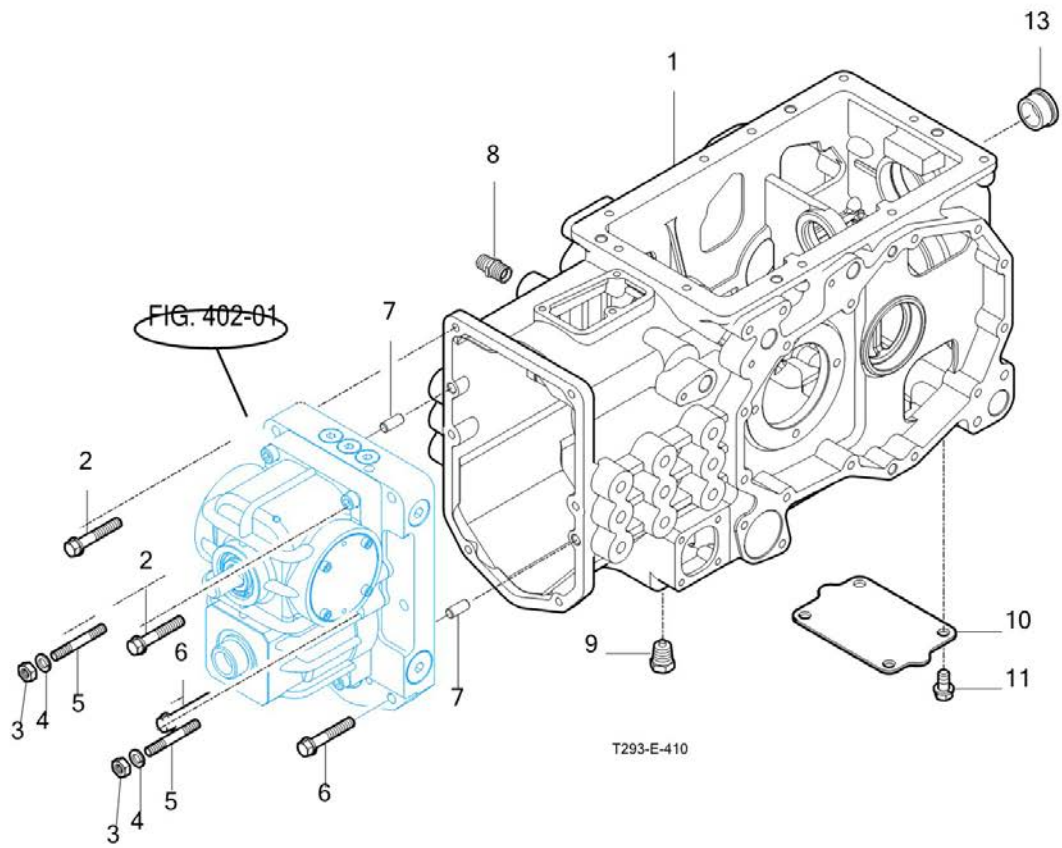
FIG 409

T25NHAU4

REAR TRANSMISSION CASE

년/월
Year/Month

2022-12



NOTE

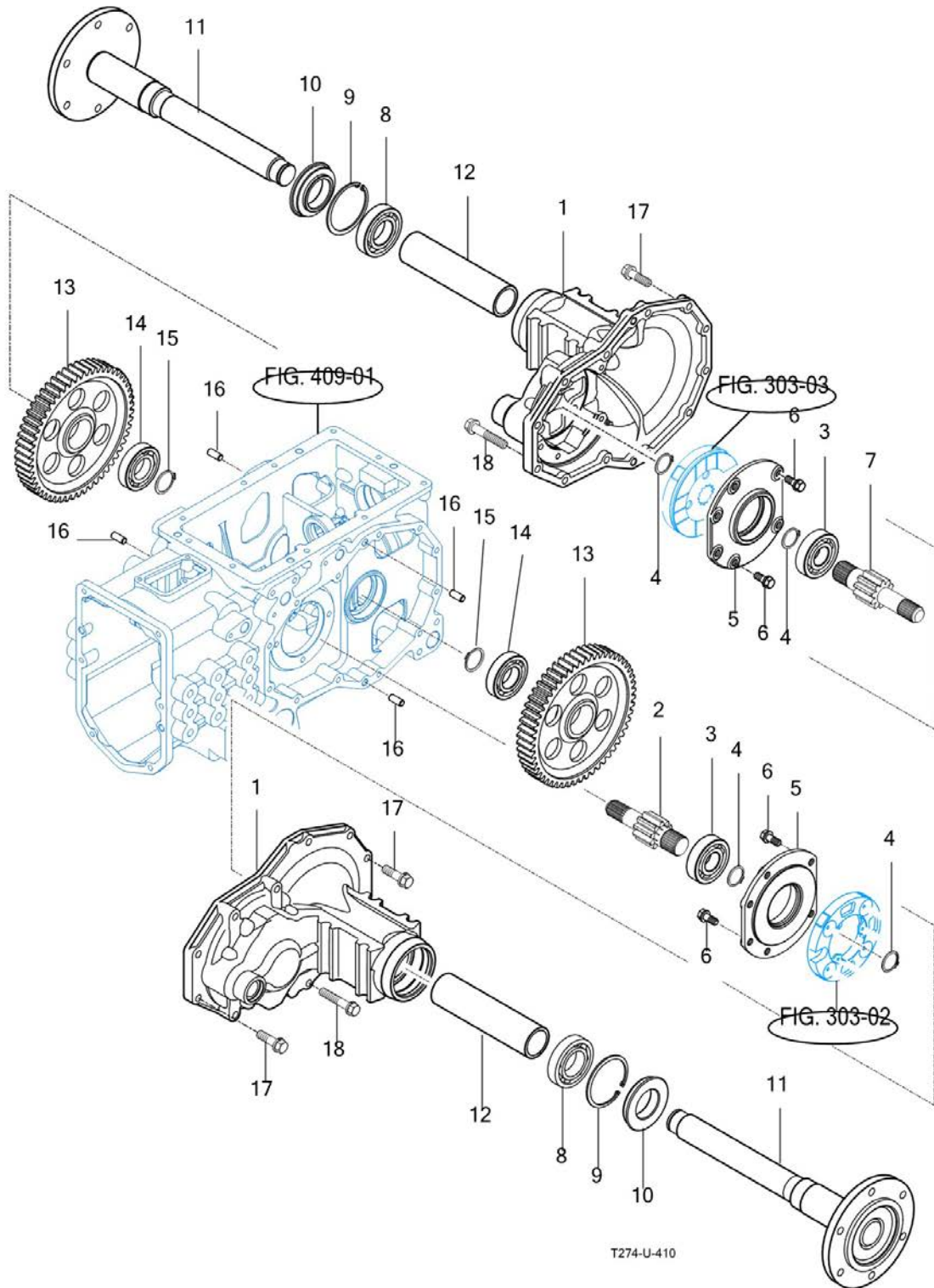
FIG 410

REAR AXLE HOUSINGS

년/월
Year/Month

2022-12

T25NHAU4



NOTE

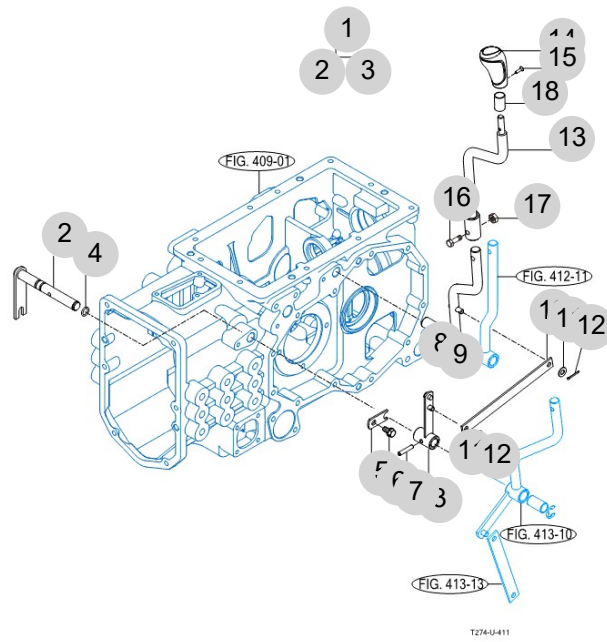
FIG 411

T25NHAU4

RANGE SHIFT LEVER

년/월
Year/Month

2022-12



NOTE

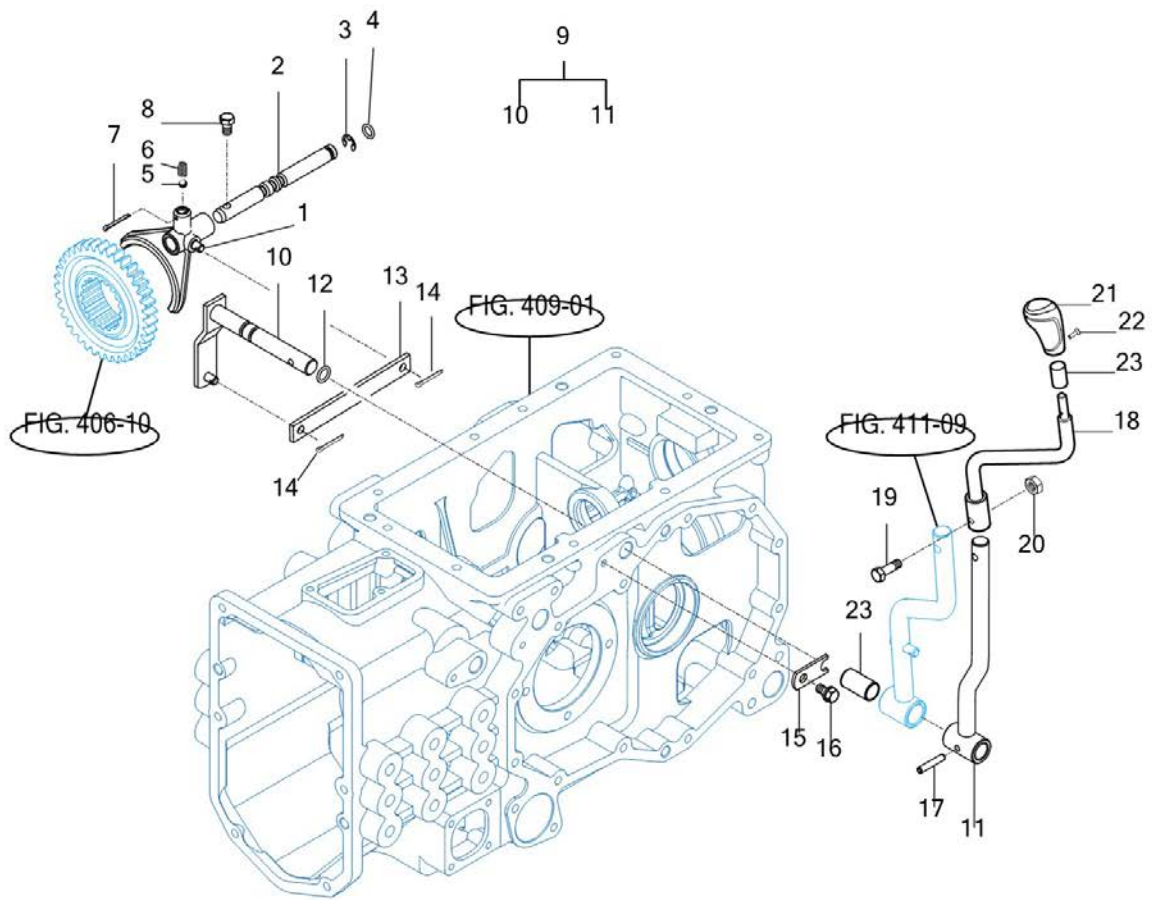
FIG 412

T25NHAU4

P.T.O CHANGE LEVER

년/월
Year/Month

2022-12



T274-U-412

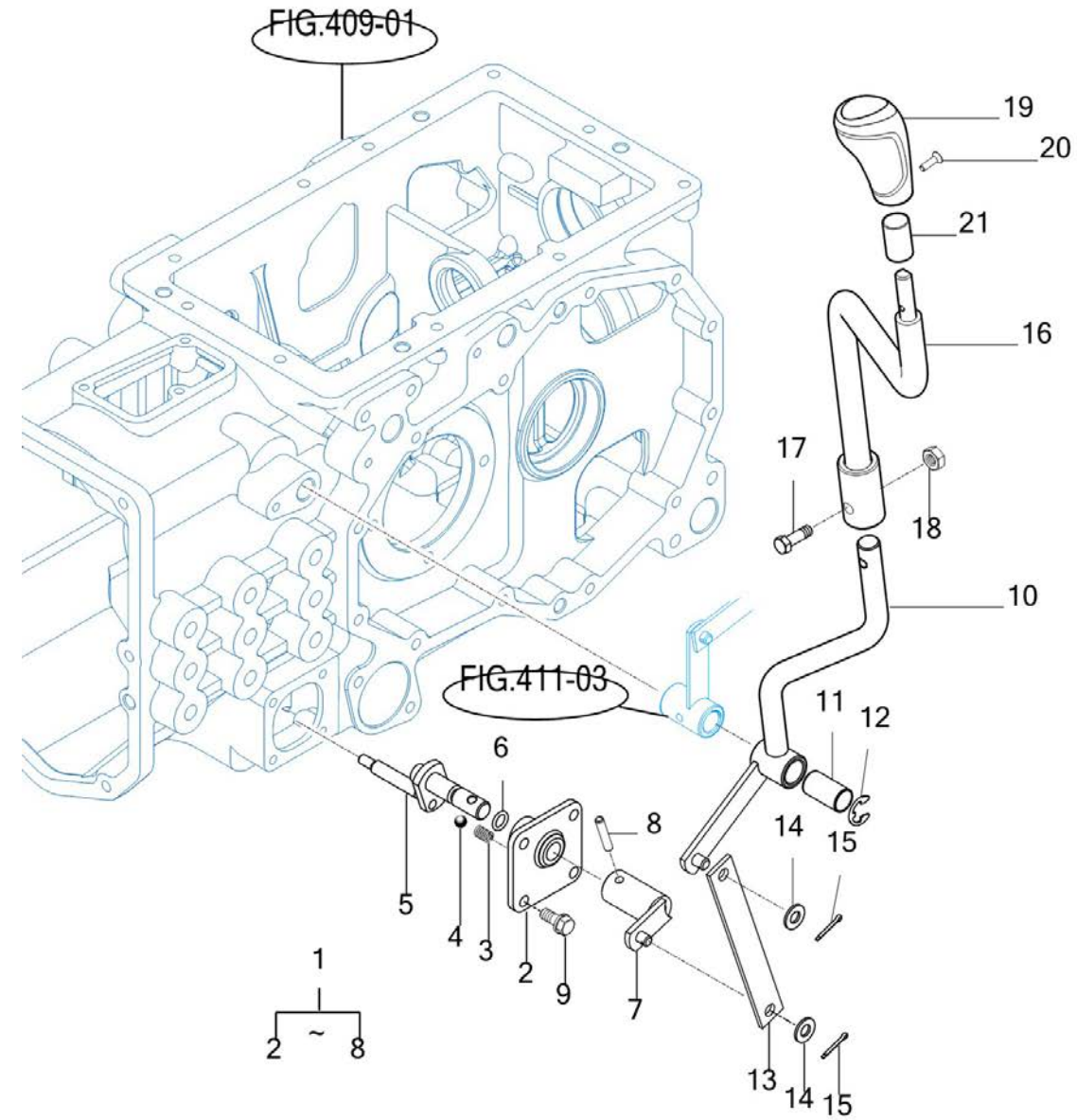
NOTE

FIG 413

4WD CHANGE LEVER

년/월
Year/Month

2022-12



T274-U-413

NOTE

5. 프런트 액슬 PART NO. T5

FIG 501 FRAME	100
FIG 502 FRONT DIFFERENTIAL GEARS & SHAFT	102
FIG 503 FRONT AXLE HOUSING	104
FIG 504 FRONT GEAR CASE (1)	106
FIG 505 FRONT GEAR CASE (2)	108

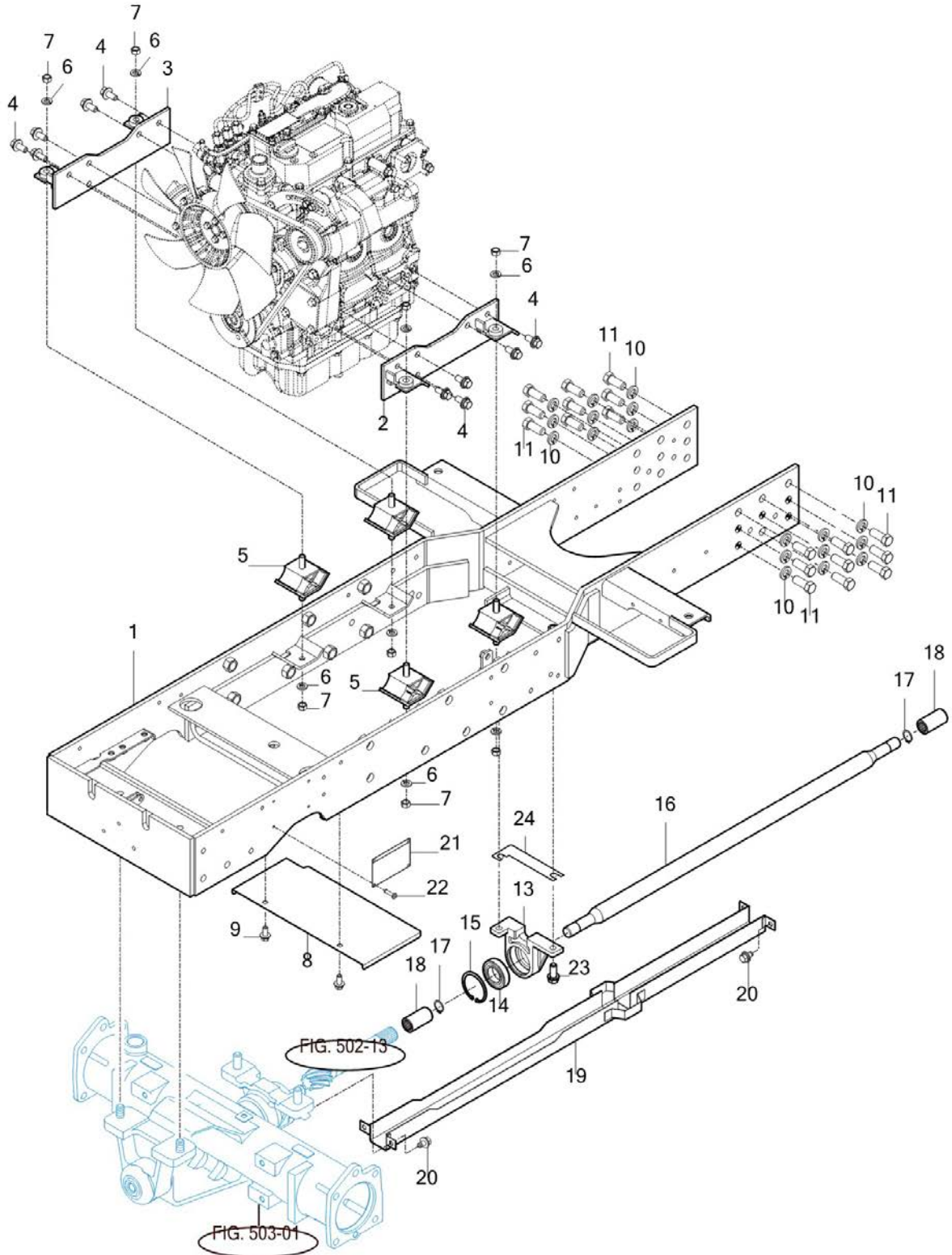
FIG 501

FRAME

년/월
Year/Month

T25NHAU4

2022-12



NOTE

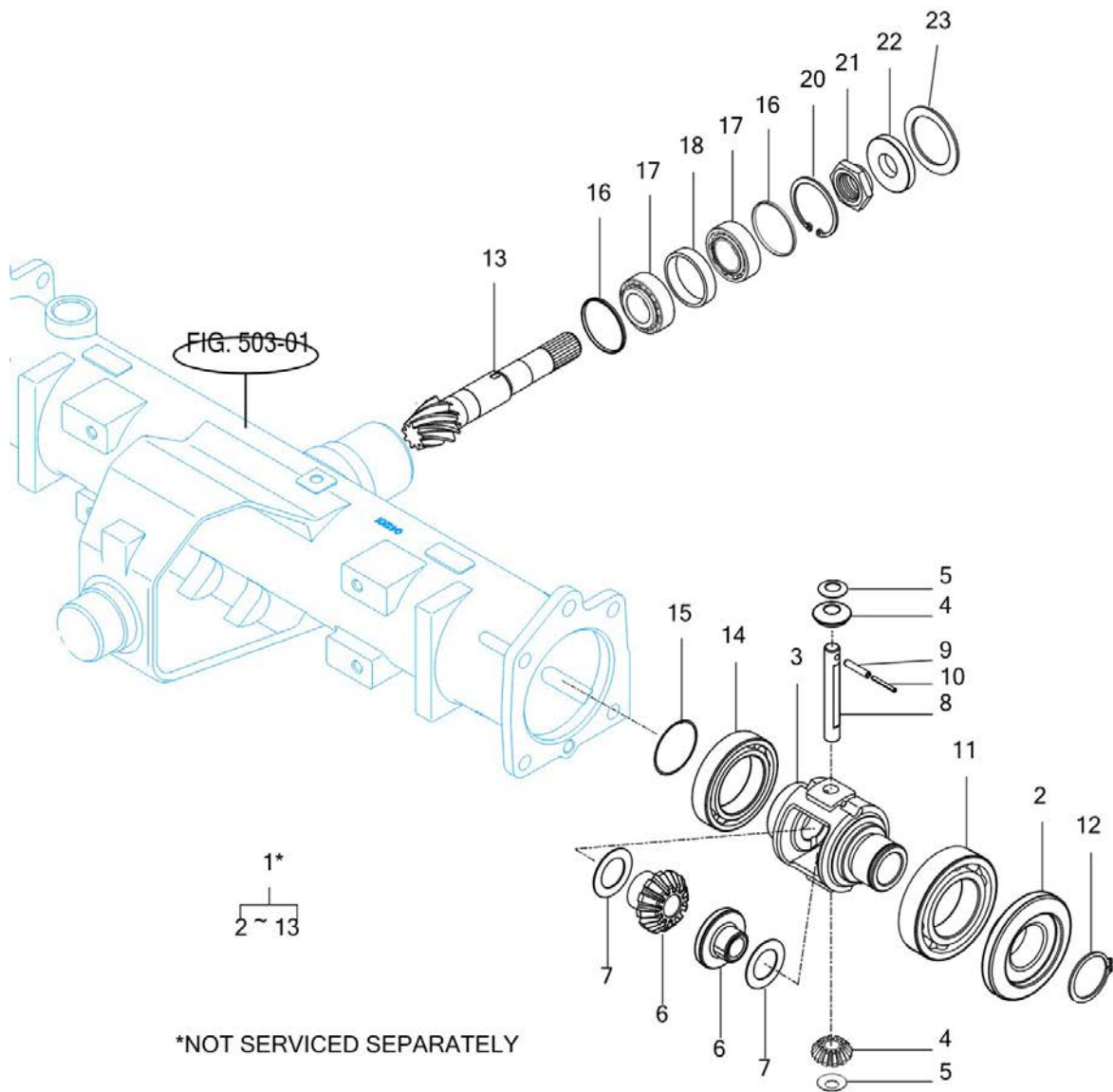
FIG 502

T25NHAU4

FRONT DIFFERENTIAL GEARS & SHAFT

년/월
Year/Month

2022-12



NOTE

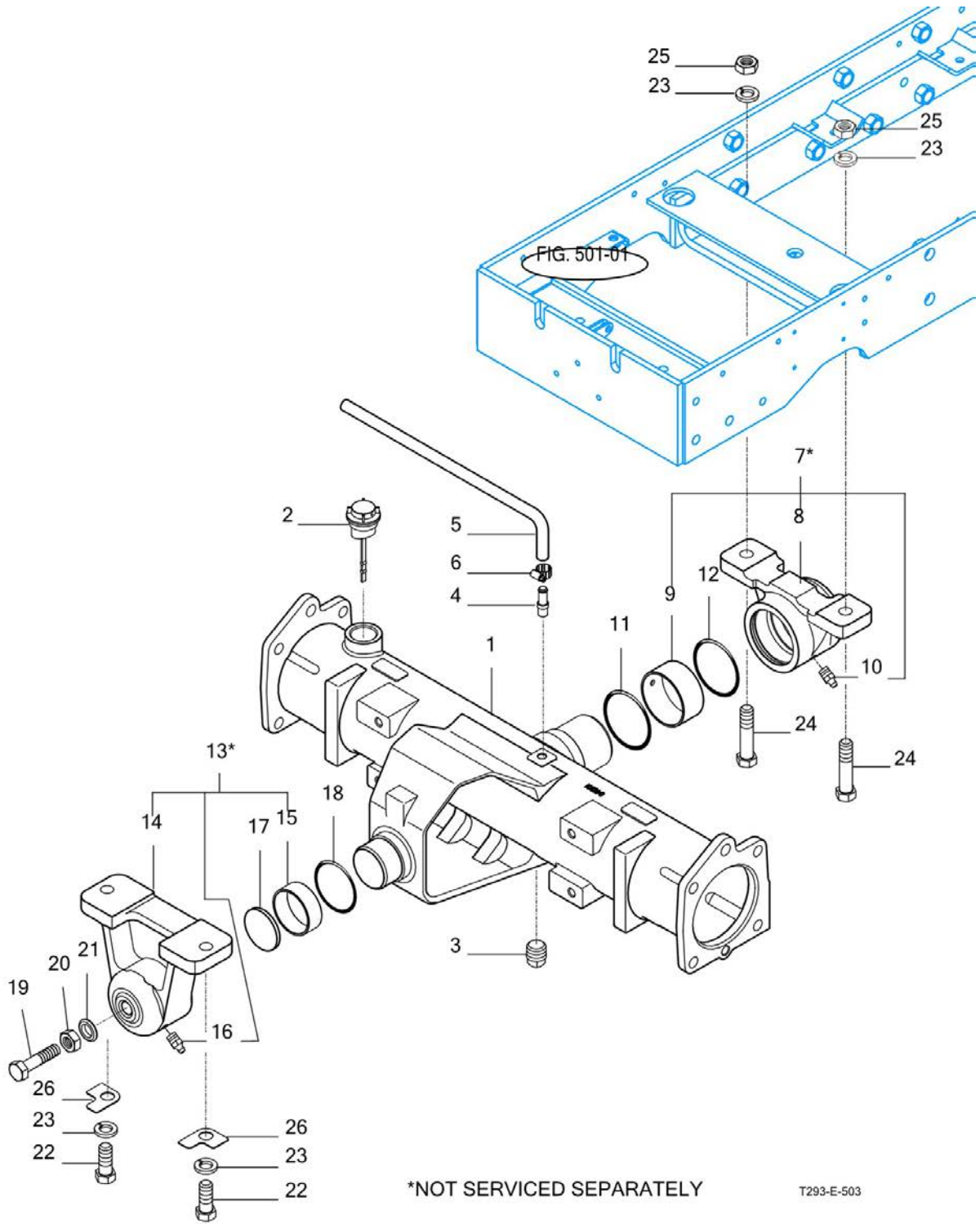
FIG 503

T25NHAU4

FRONT AXLE HOUSING

년/월
Year/Month

2022-12



NOTE

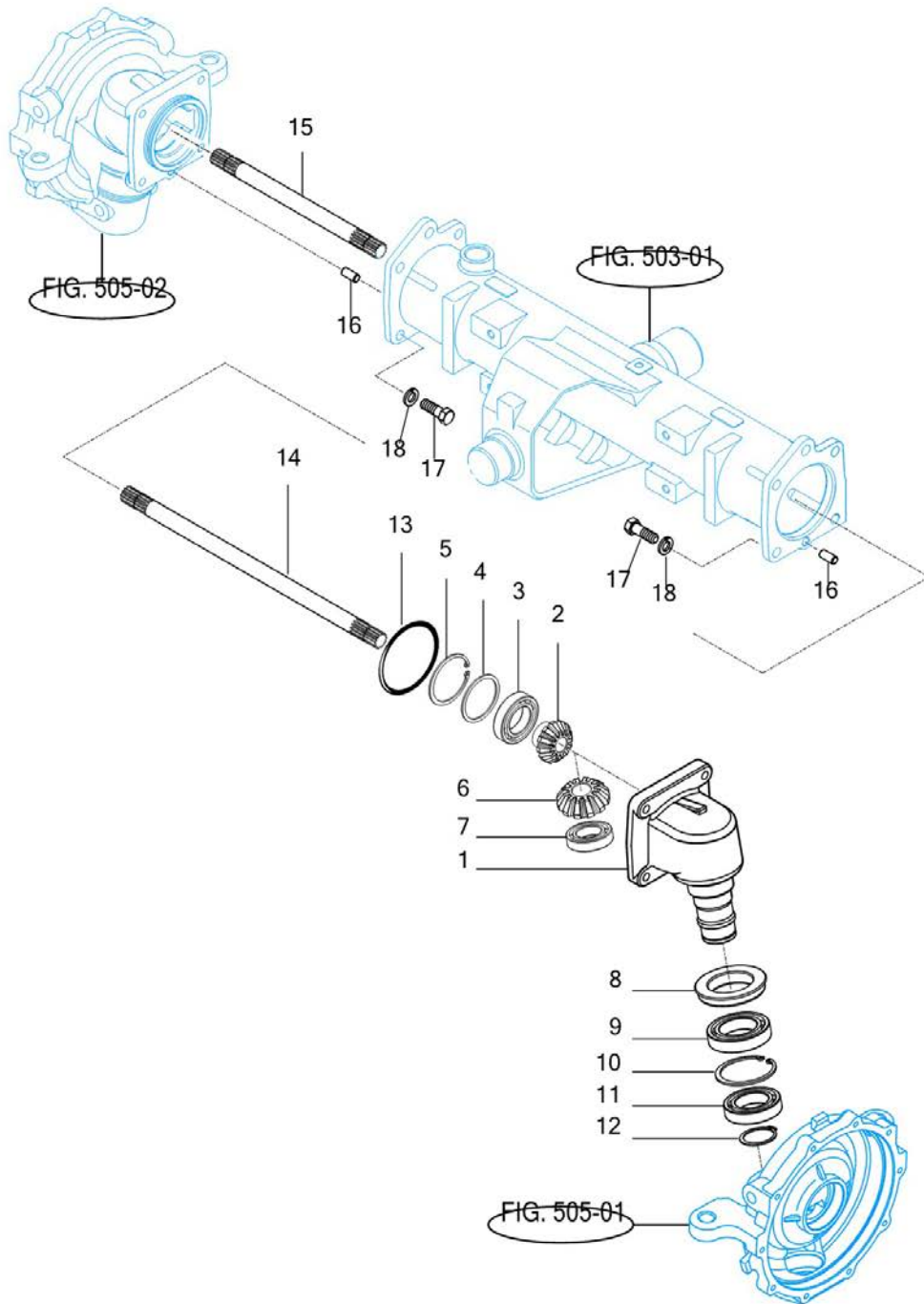
FIG 504

FRONT GEAR CASE (1)

년/월
Year/Month

2022-12

T25NHAU4



T293-E-504

NOTE

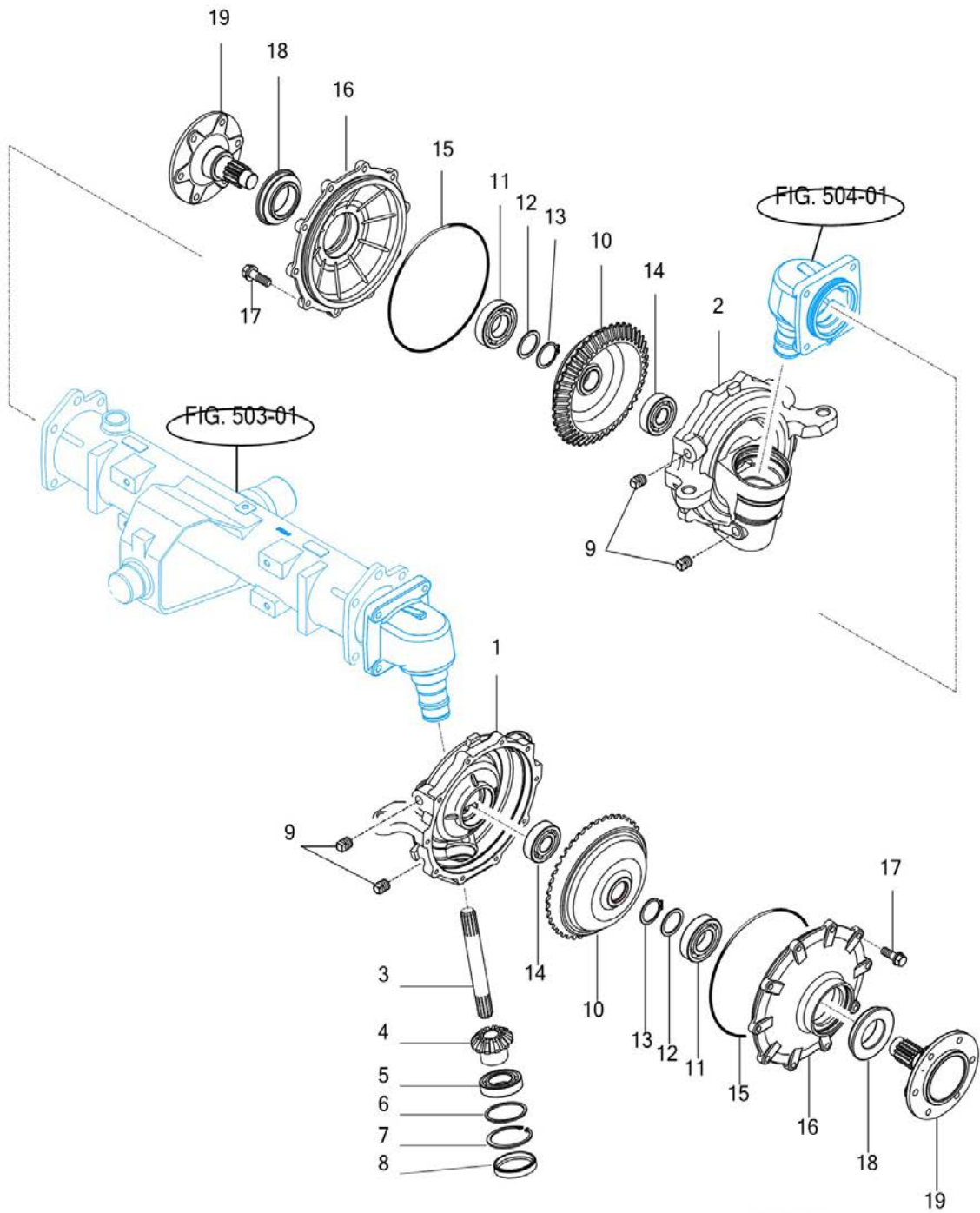
FIG 505

T25NHAU4

FRONT GEAR CASE (2)

년/월
Year/Month

2022-12



T293-E-505

NOTE

6. 유압/3점링크 PART NO. T6

FIG 601 CYLINDER CASE	111
FIG 602 LIFT ARM	113
FIG 603 FLOW CONTROL VALVE	115
FIG 604 CONTROL VALVE LINKAGE	117
FIG 605 MAIN CONTROL VALVE	119
FIG 606 REMOTE CONTROL VALVE	121
FIG 607 POSITION LEVER LINKAGE	123
FIG 608 GEAR PUMP	125
FIG 609 HYDRAULIC HOSE (1)	127
FIG 610 HYDRAULIC HOSE (2)	129
FIG 611 PTO VALVE	131
FIG 612 3-POINT LINKAGE	133
FIG 613 JOYSTICK LEVER	136
FIG 614 HITCH & COVER	138

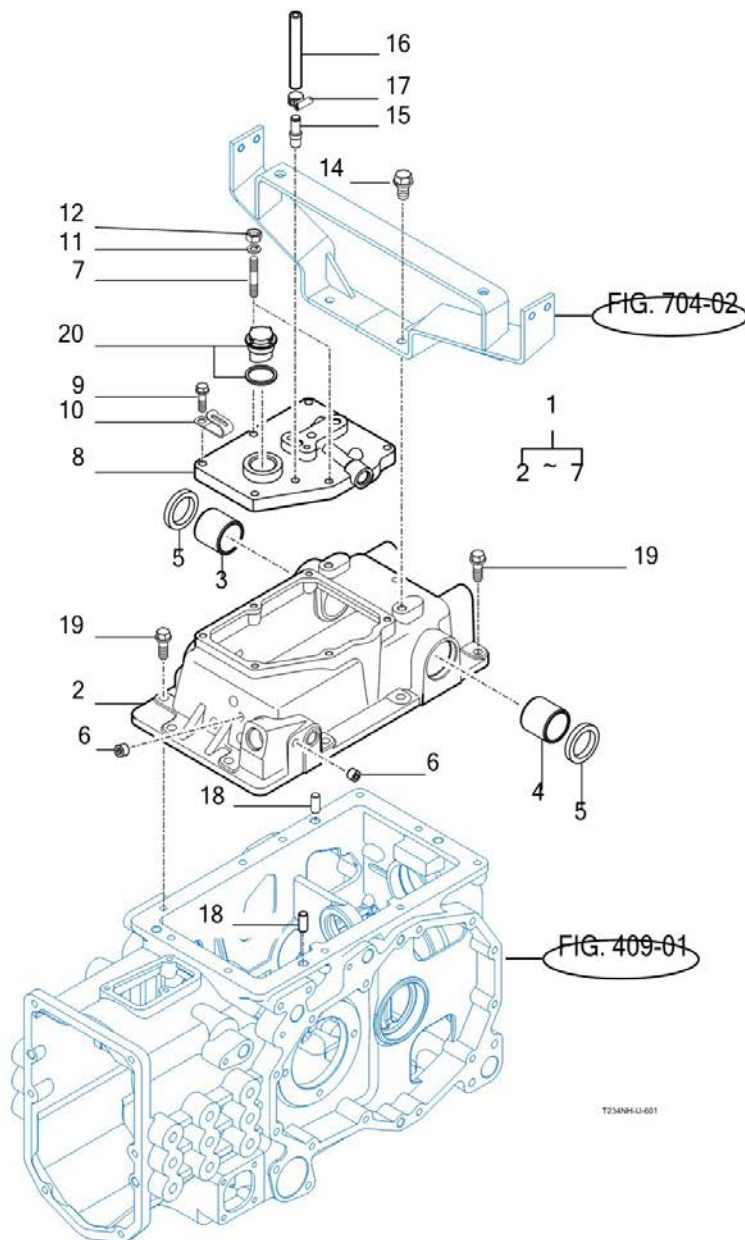
FIG 601

T25NHAU4

CYLINDER CASE

년/월
Year/Month

2022-12



NOTE

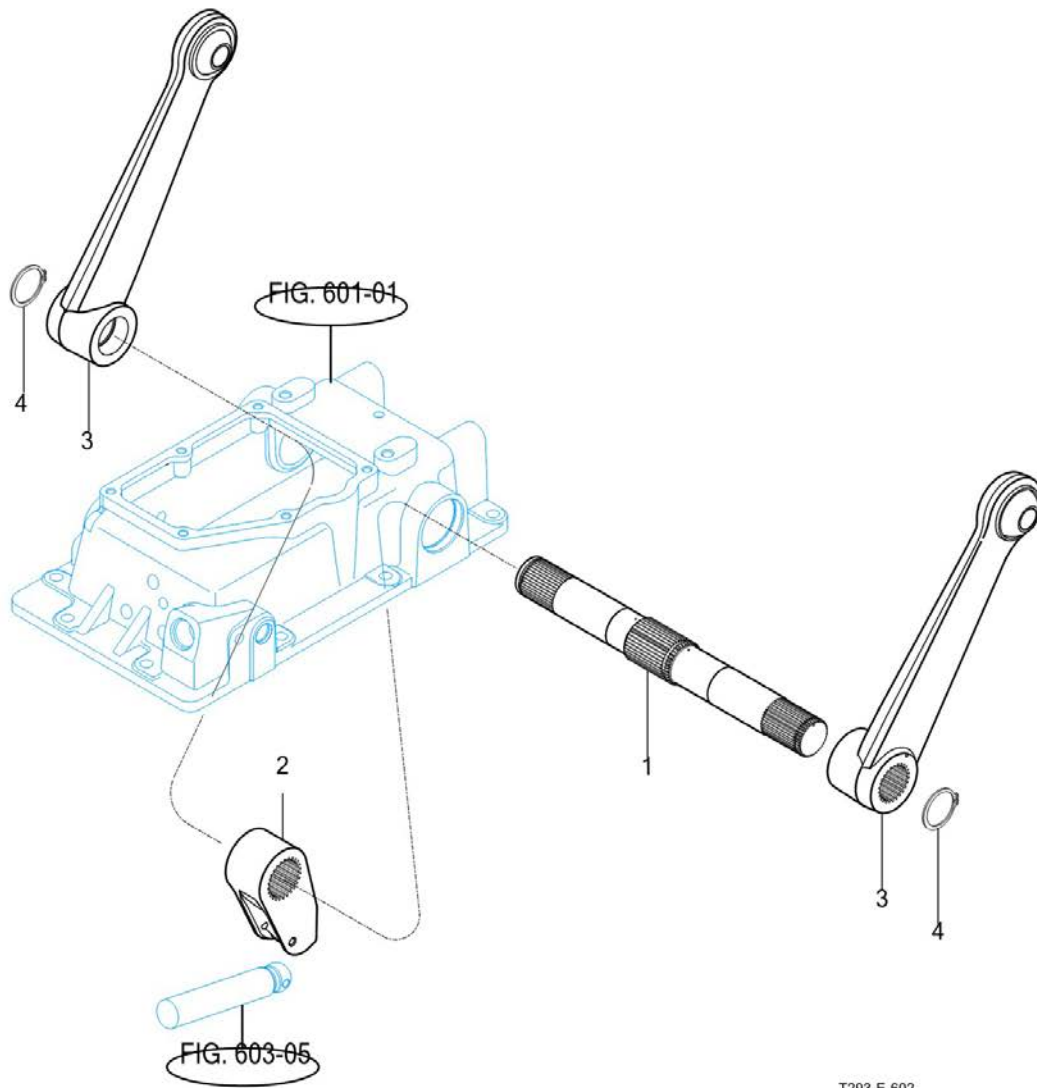
FIG 602

T25NHAU4

LIFT ARM

년/월
Year/Month

2022-12



T293-E-602

NOTE

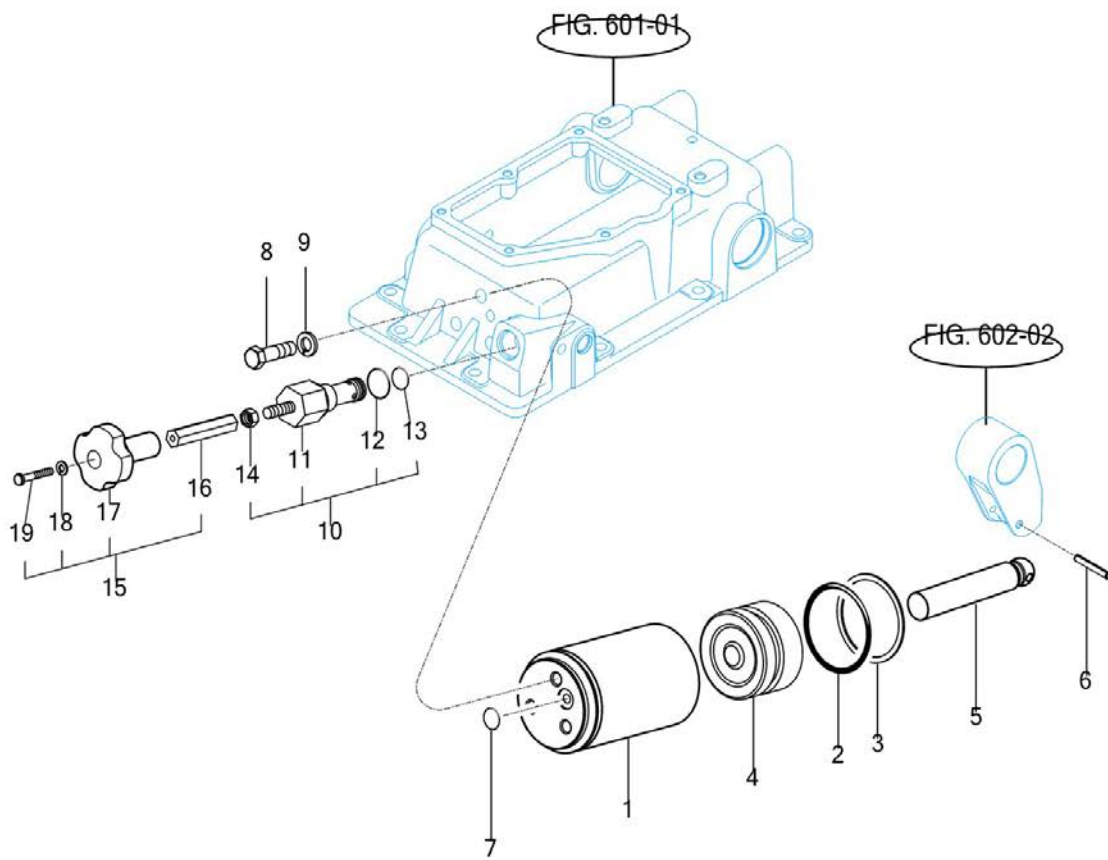
FIG 603

T25NHAU4

FLOW CONTROL VALVE

년/월
Year/Month

2022-12



T293-E-603

NOTE

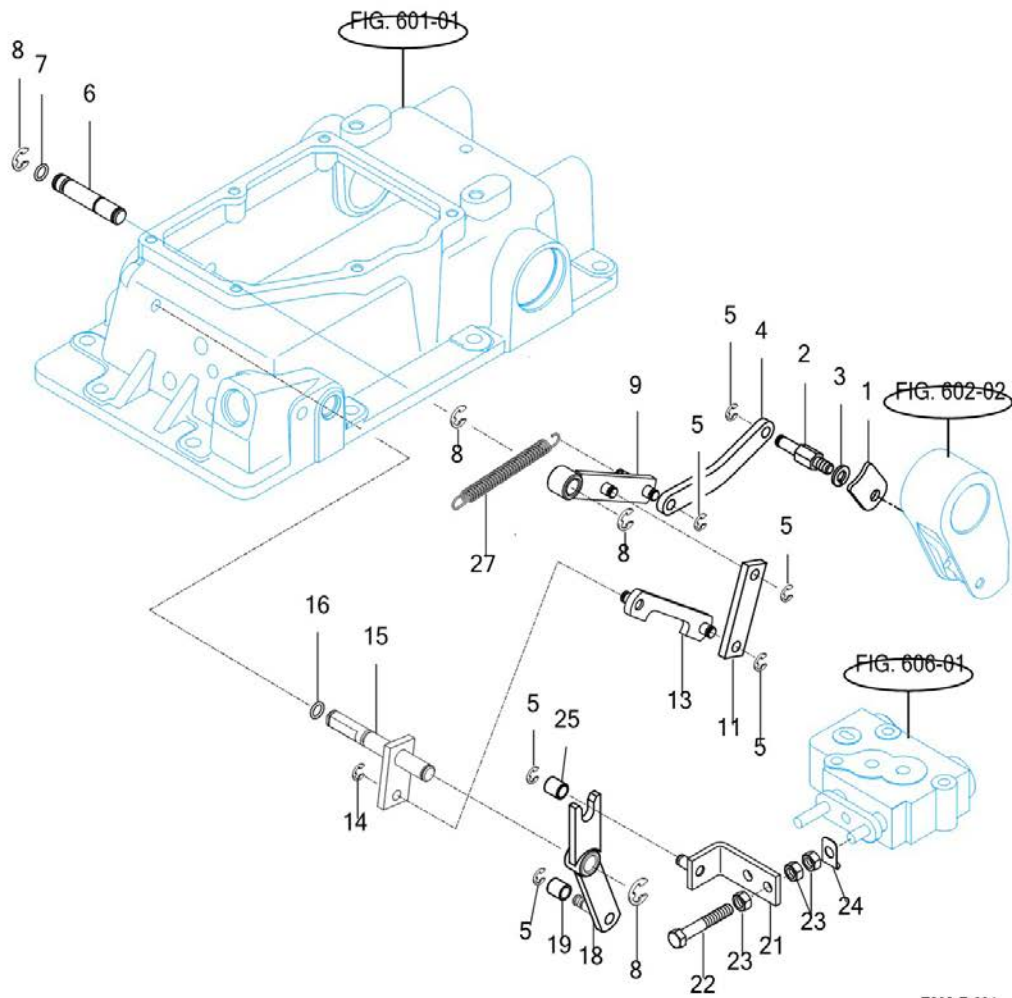
FIG 604

CONTROL VALVE LINKAGE

년/월
Year/Month

2022-12

T25NHAU4



T293-E-604

NOTE

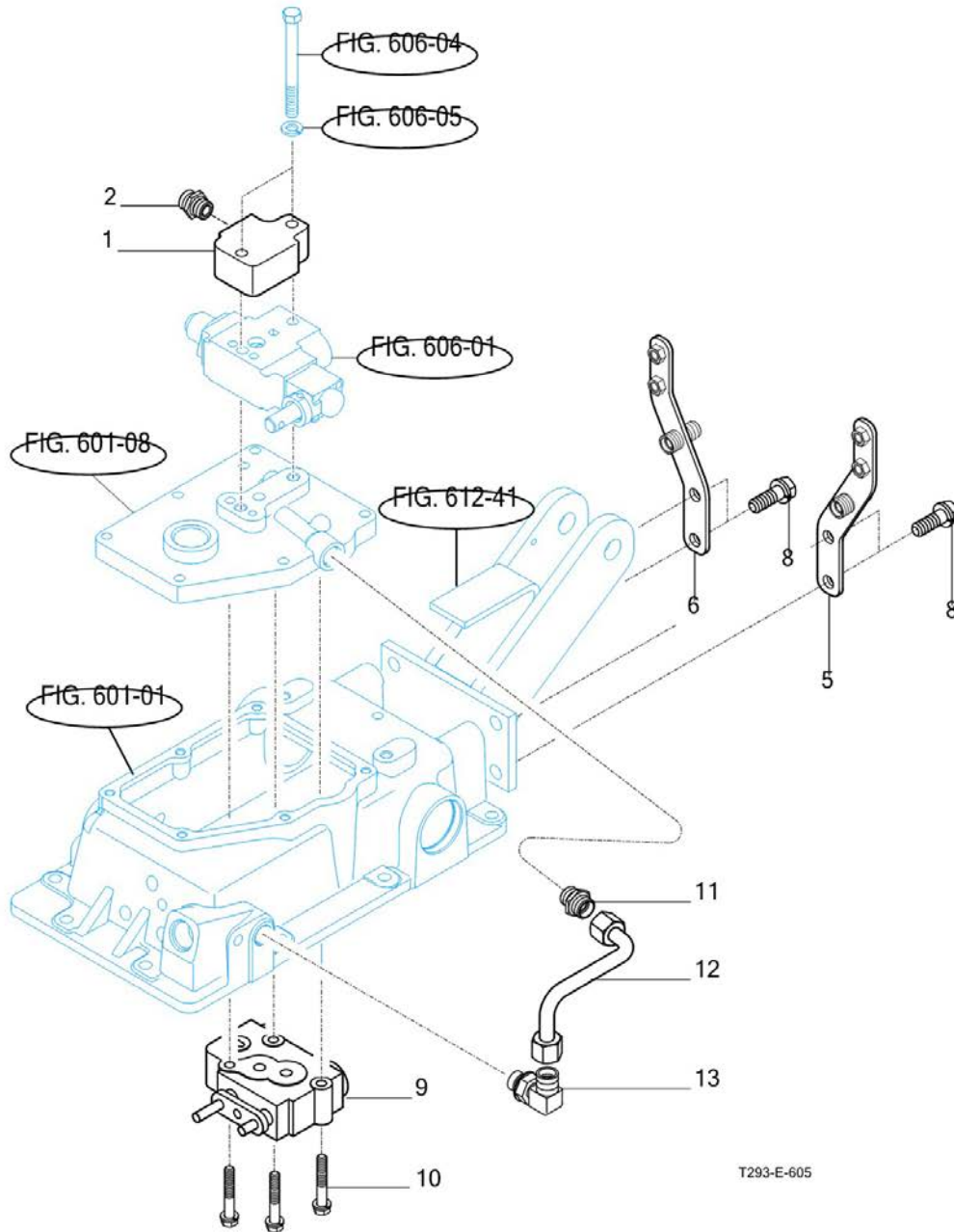
FIG 605

MAIN CONTROL VALVE

년/월
Year/Month

2022-12

T25NHAU4



NOTE

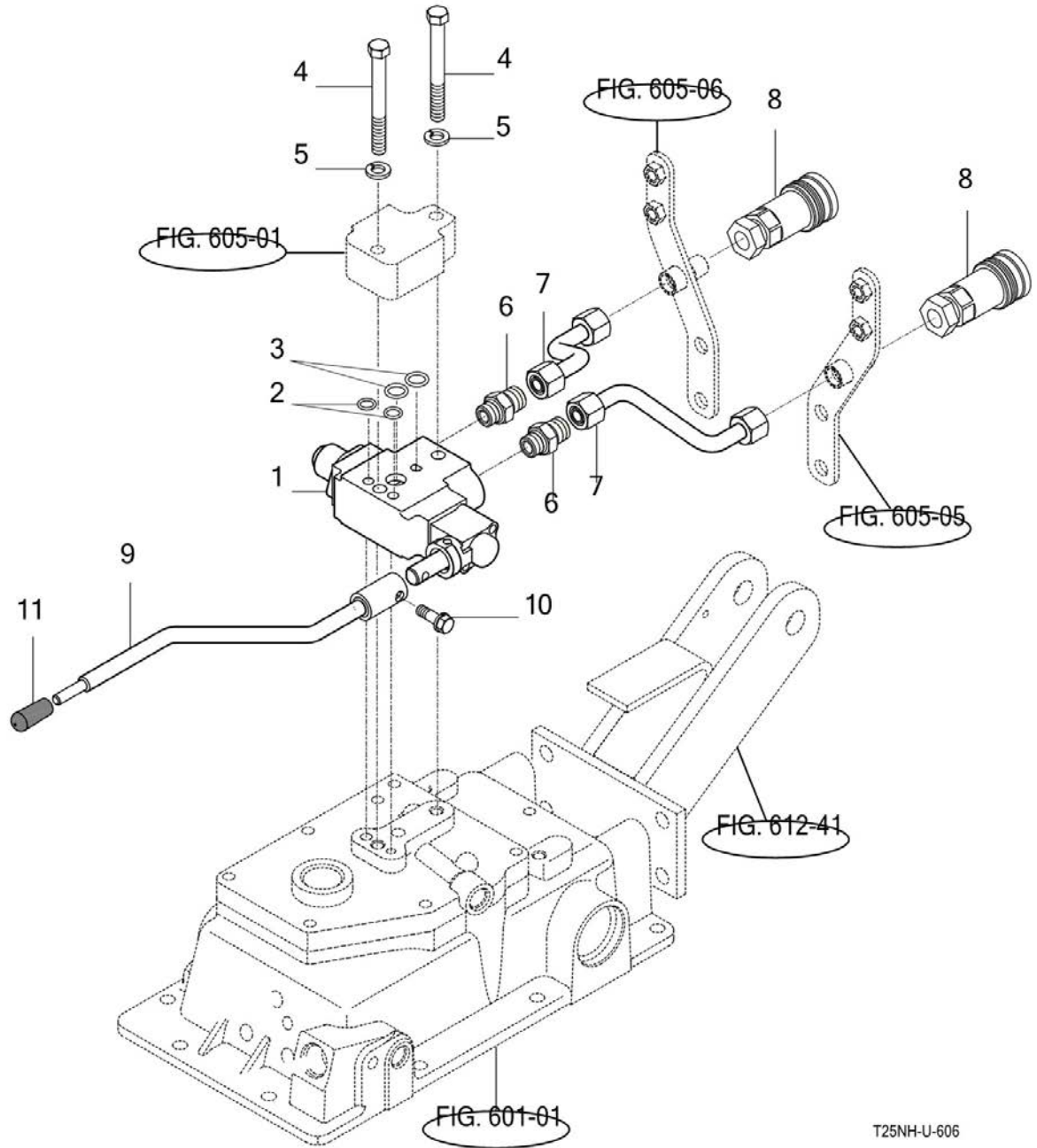
FIG 606

T25NHAU4

REMOTE CONTROL VALVE

년/월
Year/Month

2022-12



NOTE

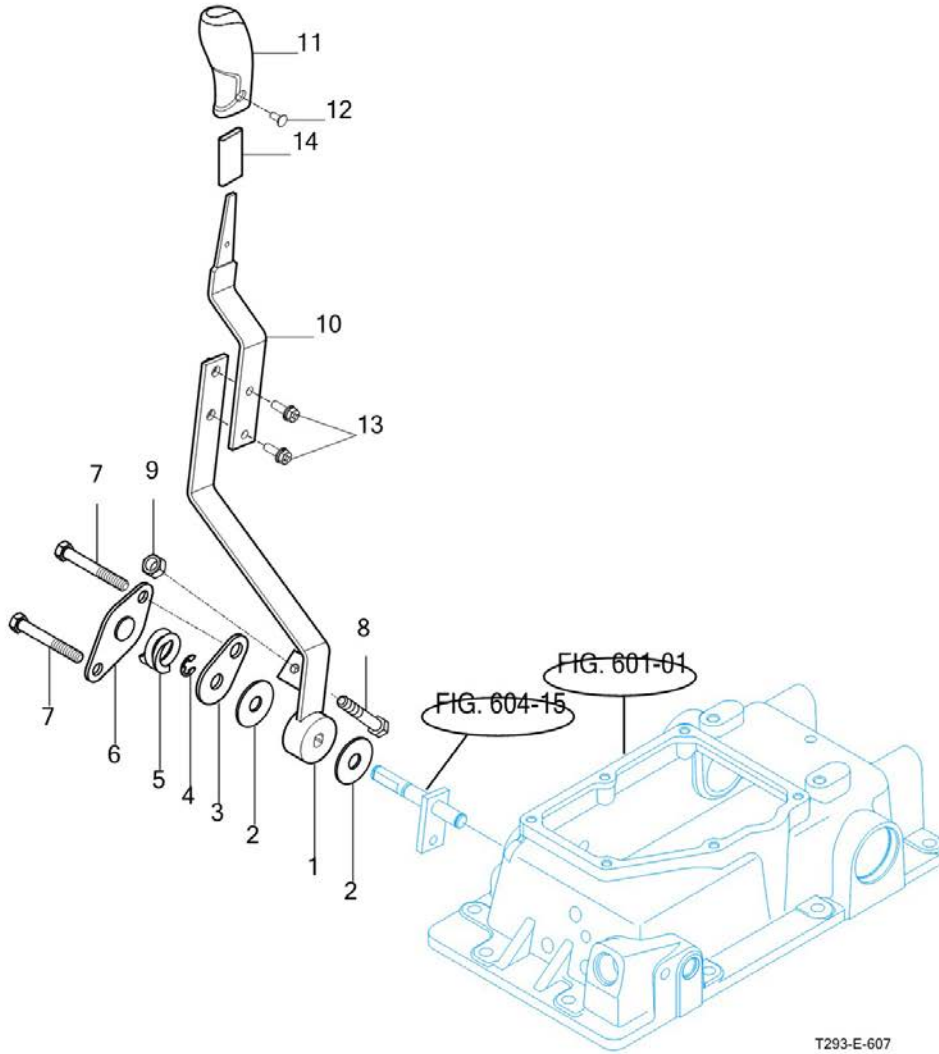
FIG 607

T25NHAU4

POSITION LEVER LINKAGE

년/월
Year/Month

2022-12



T293-E-607

NOTE

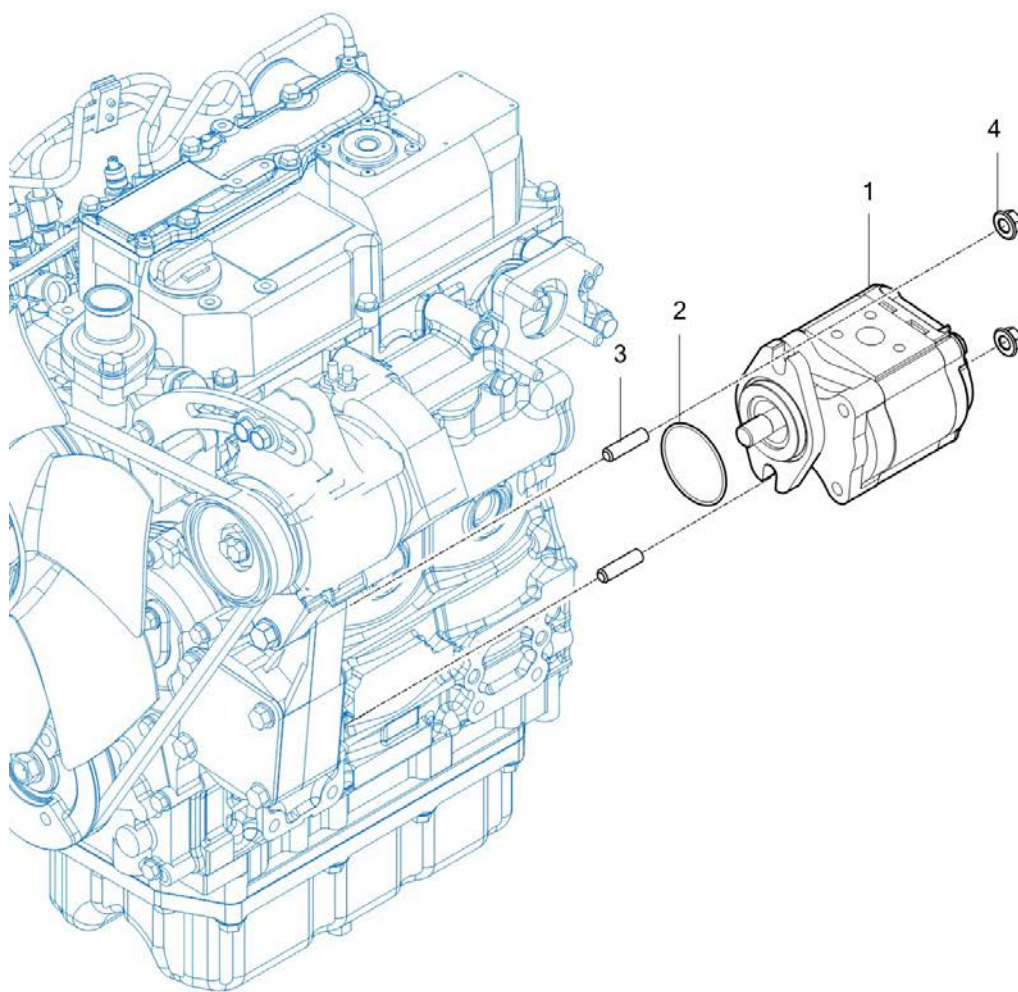
FIG 608

GEAR PUMP

년/월
Year/Month

T25NHAU4

2022-12



NOTE

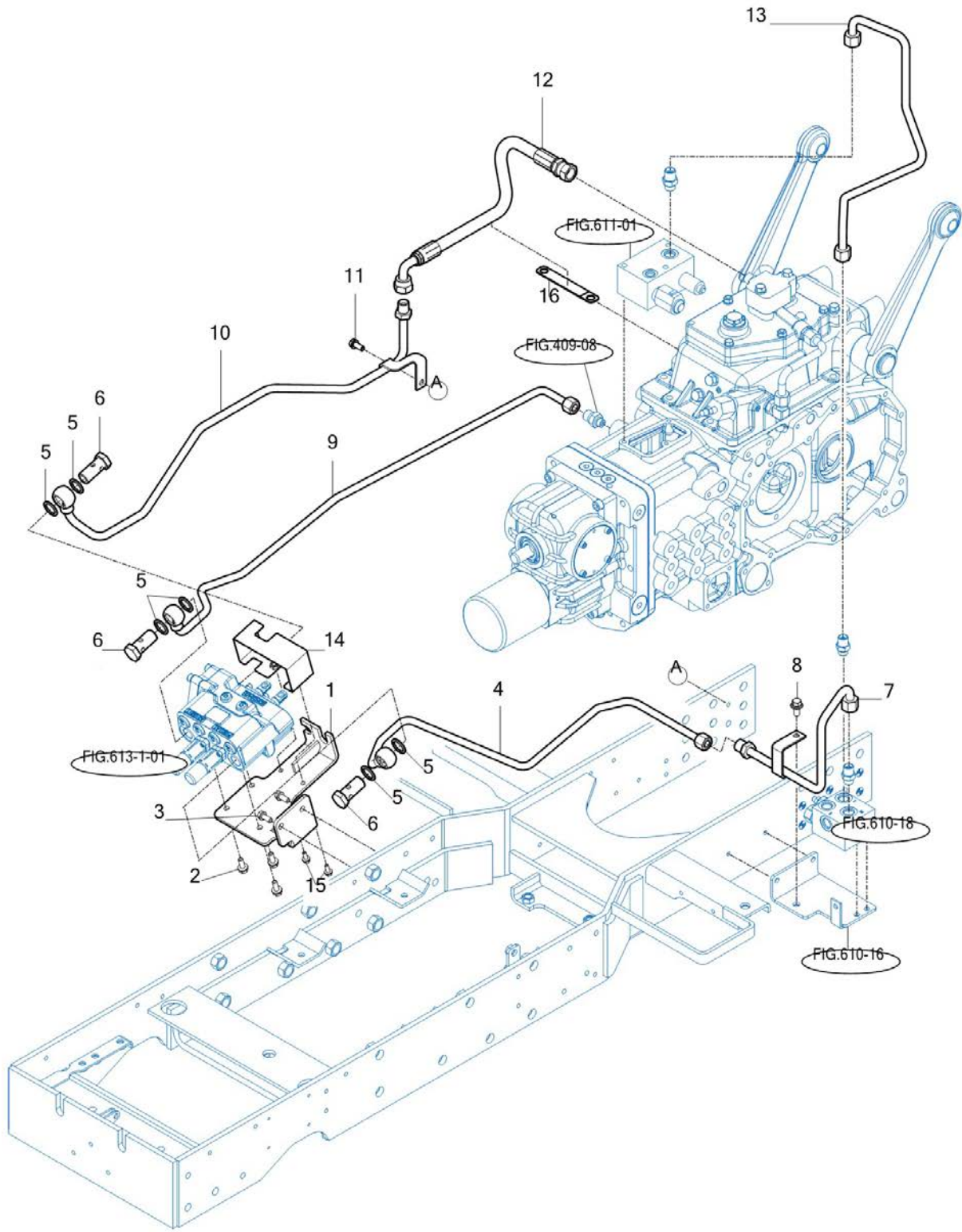
FIG 609

T25NHAU4

HYDRAULIC HOSE (1)

년/월
Year/Month

2022-12



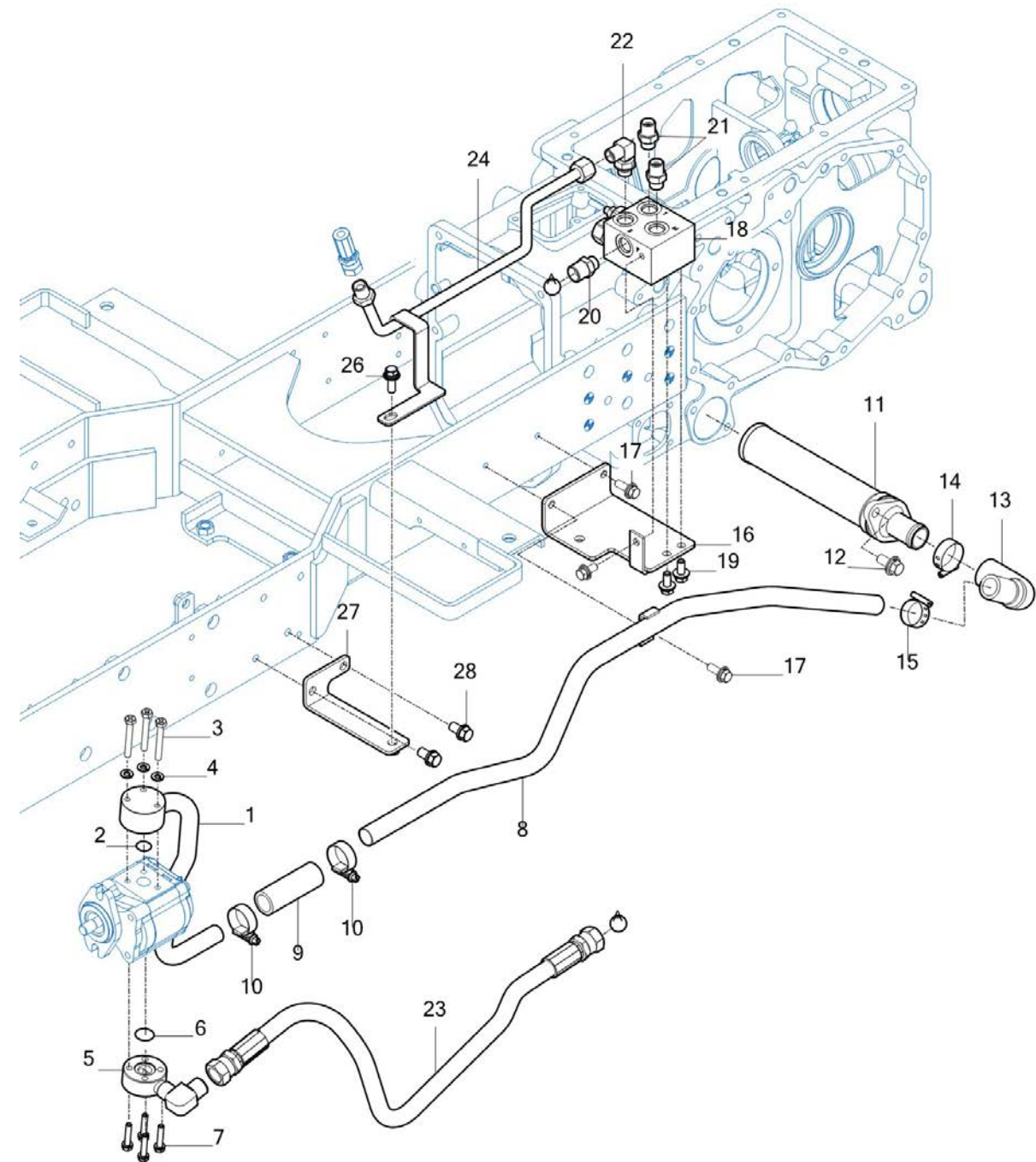
NOTE

FIG 610

HYDRAULIC HOSE (2)

년/월
Year/Month

2022-12



NOTE

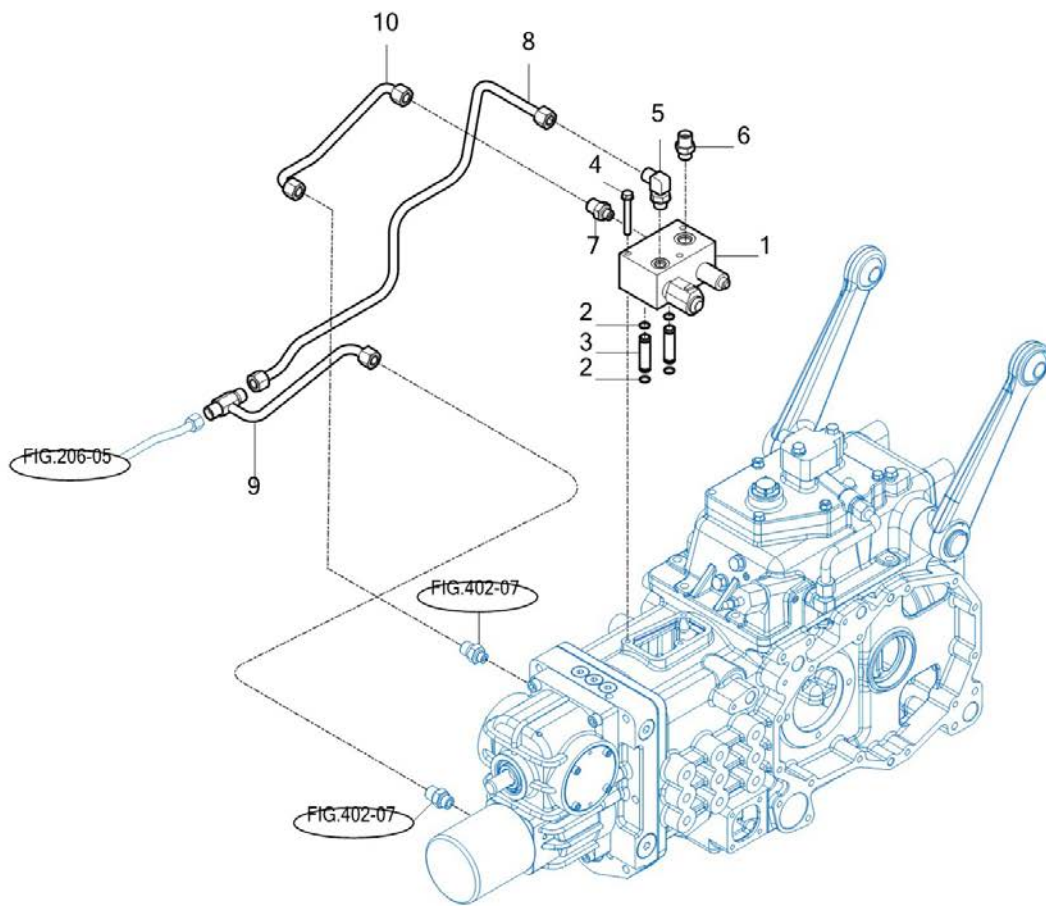
FIG 611

T25NHAU4

PTO VALVE

년/월
Year/Month

2022-12



NOTE

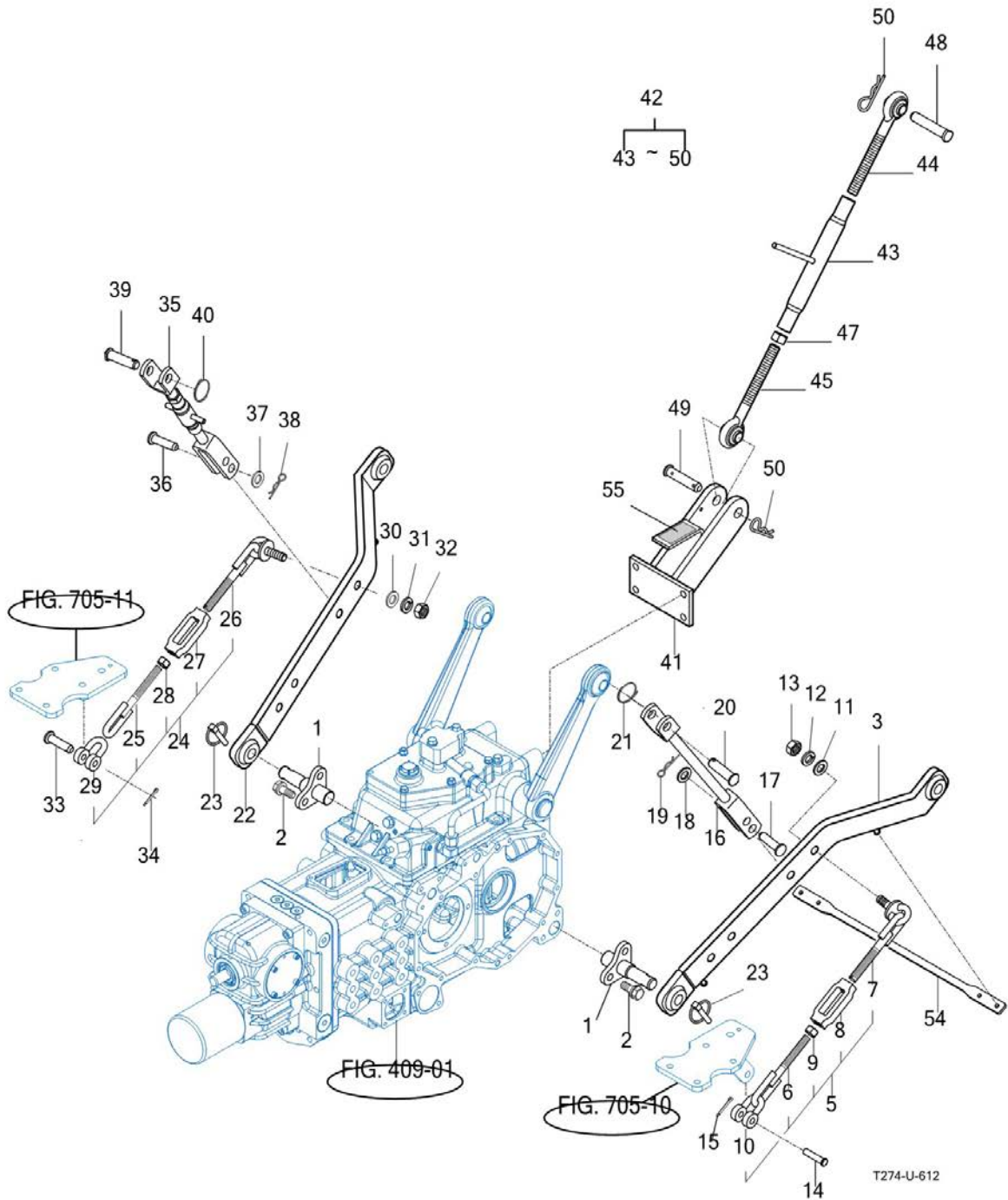
FIG 612

3-POINT LINKAGE

년/월
Year/Month

T25NHAU4

2022-12



NOTE

FIG 612		3-POINT LINKAGE					년/월 Year/Month		
							2022-12		
T25NHAU4		KEY NO	PART NO	DESCRIPTION	SPEC	QTY	REPAIR	EFFECTIVE DATE	REMARKS
612	1	13155205100	핀(115) COMP			2			
612	2	V2173612030	소형육각볼트보통(S)	M12X30		4			
612	3	13155202202	로어링크(좌) COMP			1			
612	5	13155202501	체인(체크) 조합			1			
612	6	14585142600	체인(체크,RH)COMP			1			
612	7	14585142700	체인(체크,LH)COMP			1			
612	8	13155202511	터언버클			1			
612	9	V3012600140	육각너트보통2종	M14		1			
612	10	14585142520	체크체인 샤클			1			
612	11	V4111600160	평와셔	M16		1			
612	12	V4011600160	스프링와셔	M16		1			
612	13	V3313600160	육각너트가는2종	M16		1			
612	14	79636110030	핀(12X48)			1			
612	15	V5001930020	분할핀	3X20		1			
612	16	13155202401	리프트로드(좌) COMP			1			
612	17	79636130050	핀(16X60)			1			
612	18	V4111600160	평와셔	M16		1			
612	19	13059310030	헤어핀(D=2.3)			1			
612	20	12505243500	핀			1			
612	21	12505240060	스프링			1			
612	22	13155203102	로어링크(우) COMP			1			
612	23	14215020020	링크핀			2			
612	24	13155202501	체인(체크) 조합			1			
612	25	14585142600	체인(체크,RH)COMP			1			
612	26	14585142700	체인(체크,LH)COMP			1			
612	27	13155202511	터언버클			1			
612	28	V3012600140	육각너트보통2종	M14		1			
612	29	14585142520	체크체인 샤클			1			
612	30	V4111600160	평와셔	M16		1			
612	31	V4011600160	스프링와셔	M16		1			
612	32	V3313600160	육각너트가는2종	M16		1			
612	33	79636110030	핀(12X48)			1			
612	34	V5001930020	분할핀	3X20		1			
612	35	13155203201	리프트로드(우) COMP			1			
612	36	79636130050	핀(16X60)			1			
612	37	V4111600160	평와셔	M16		1			
612	38	13059310030	헤어핀(D=2.3)			1			
612	39	12505243500	핀			1			
612	40	12505240060	스프링			1			
612	41	13155204104	톱링크 브래킷 COMP			1			
612	42	13155206002	톱링크 ASSY			1			
612	42	13155206003	톱링크 ASSY			1			
612	42	13155206004	톱링크 ASSY			1			
612	43	13155206111	턴버클			1			
612	44	13155206121	조인트(좌)			1			
NOTE									

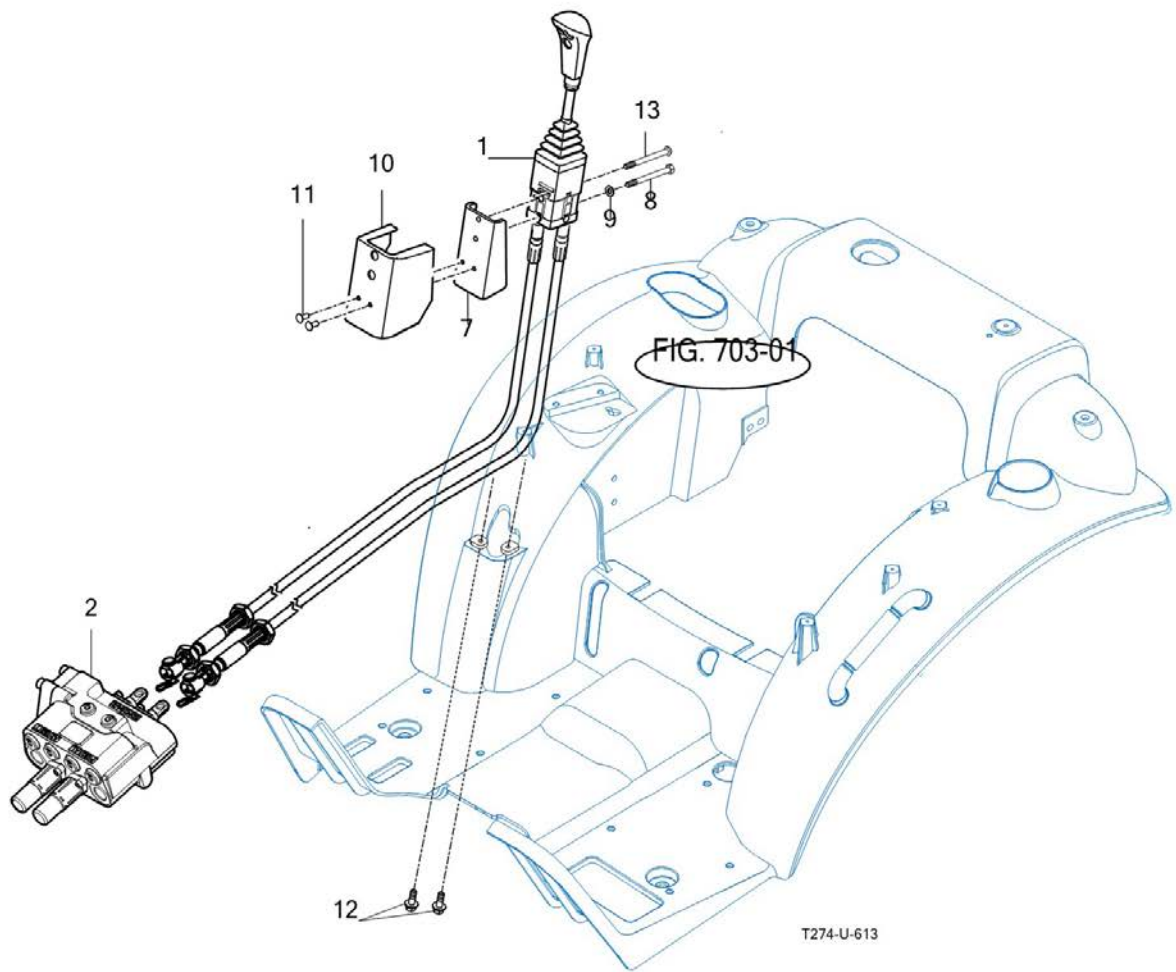
FIG 613

T25NHAU4

JOYSTICK LEVER

년/월
Year/Month

2022-12



NOTE

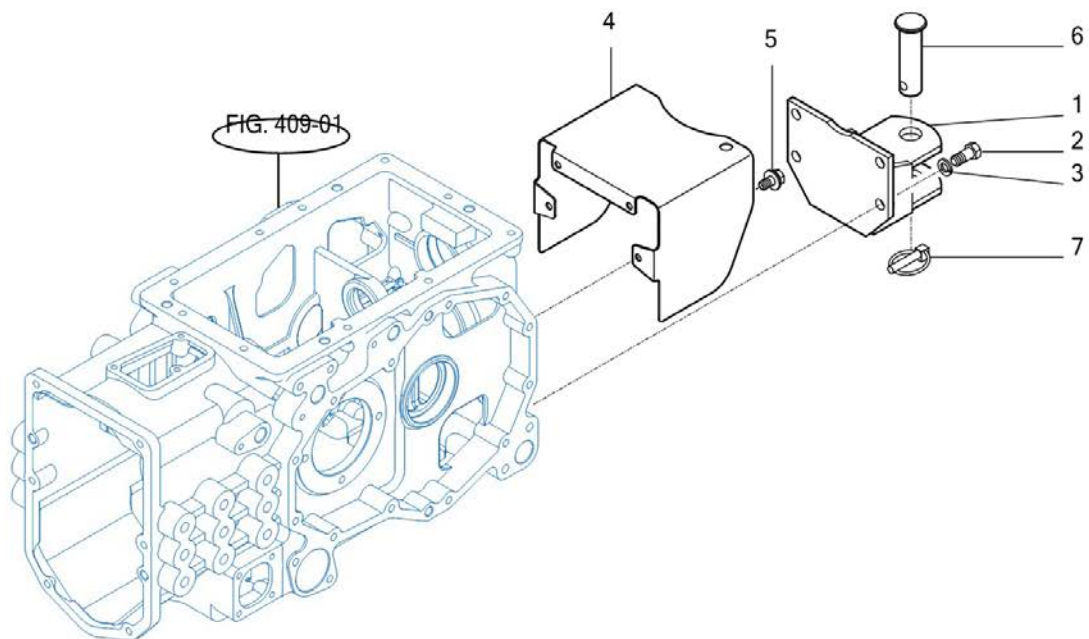
FIG 614

T25NHAU4

HITCH & COVER

년/월
Year/Month

2022-12



NOTE

7. 시트메탈/캐빈 PART NO. T7

FIG 701 BONNET	141
FIG 702 DASH PANEL	143
FIG 703 FLOOR	145
FIG 704 SEAT	148
FIG 705 ROPS	150

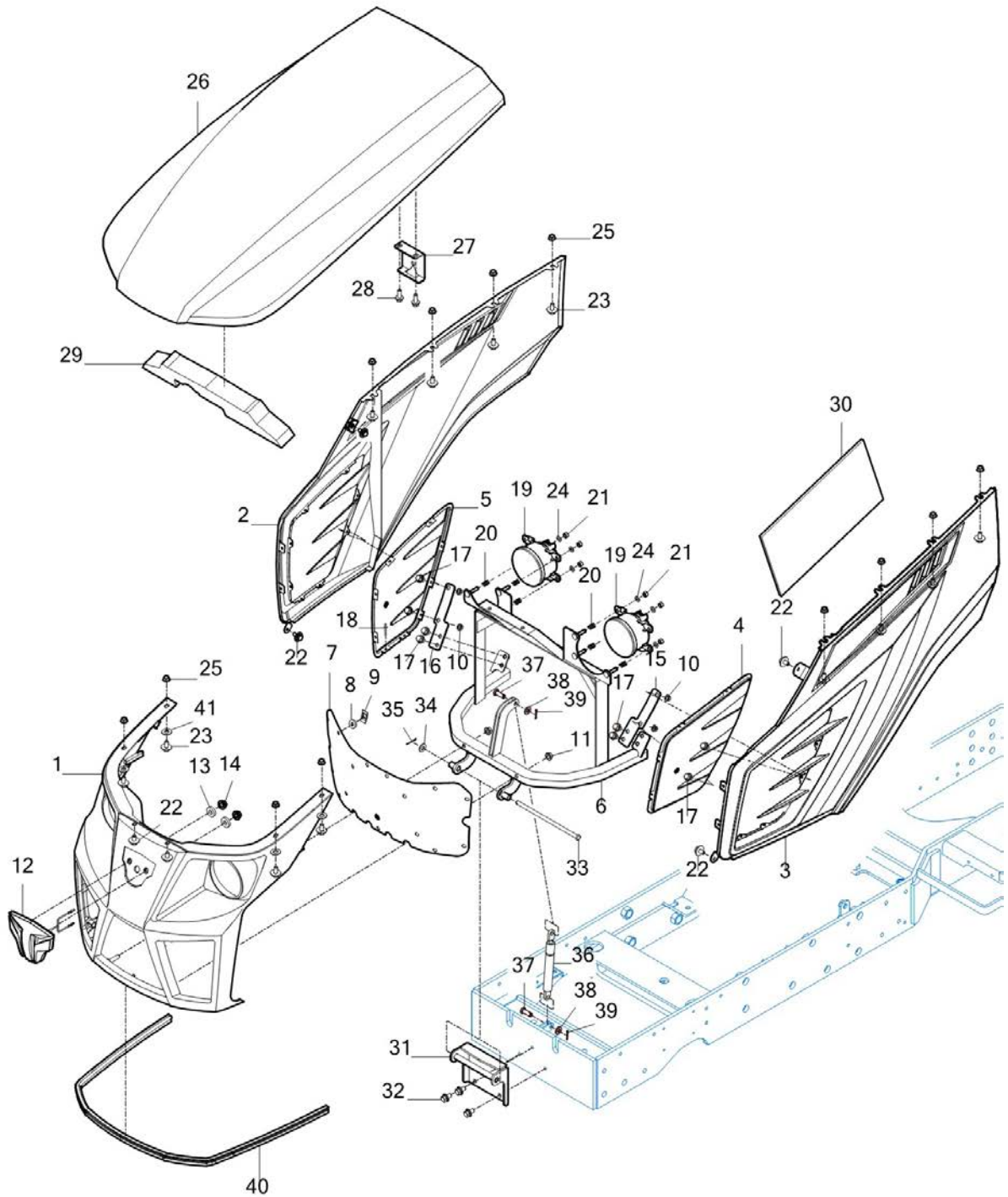
FIG 701

T25NHAU4

BONNET

년/월
Year/Month

2022-12



NOTE

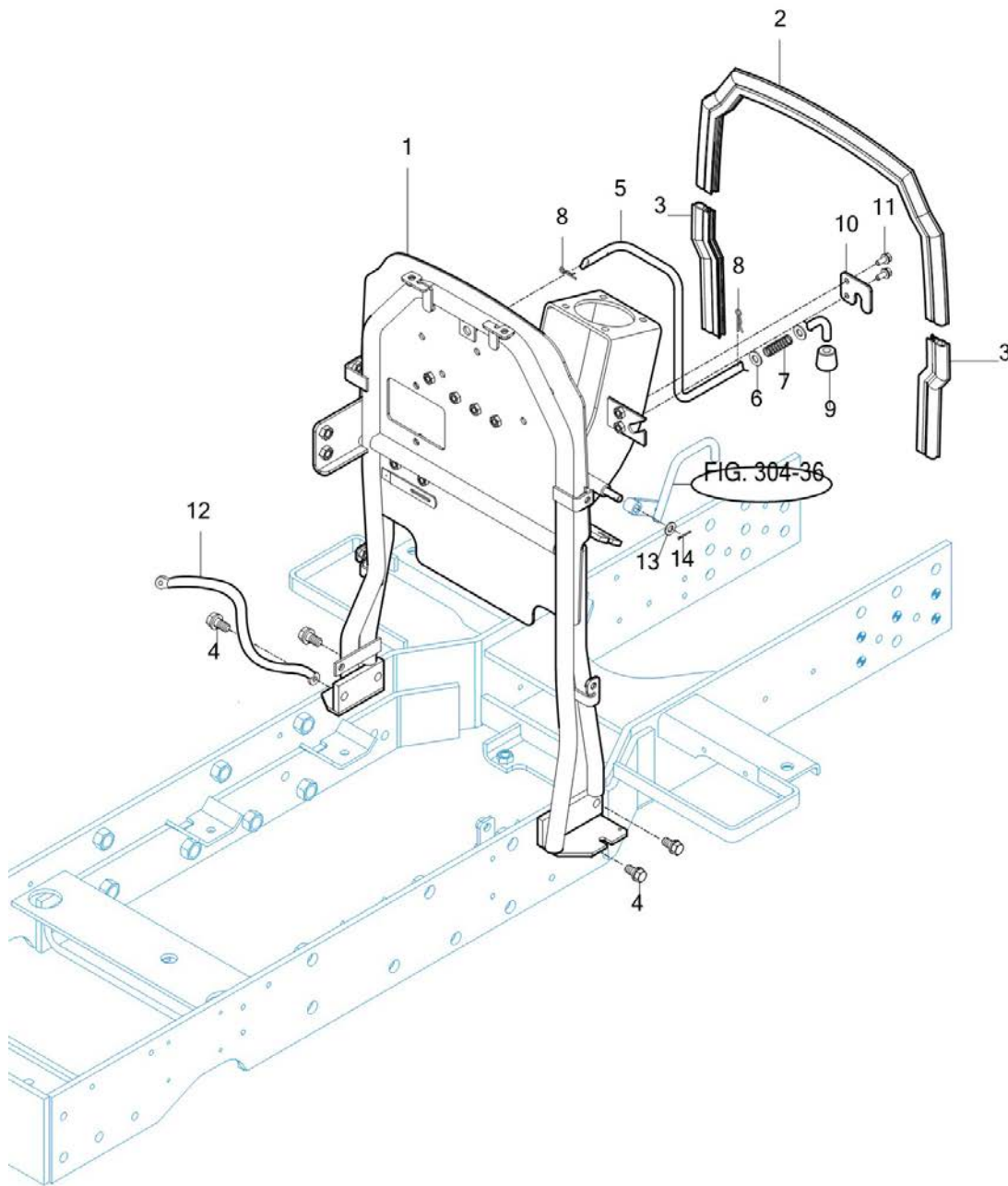
FIG 702

T25NHAU4

DASH PANEL

년/월
Year/Month

2022-12



NOTE

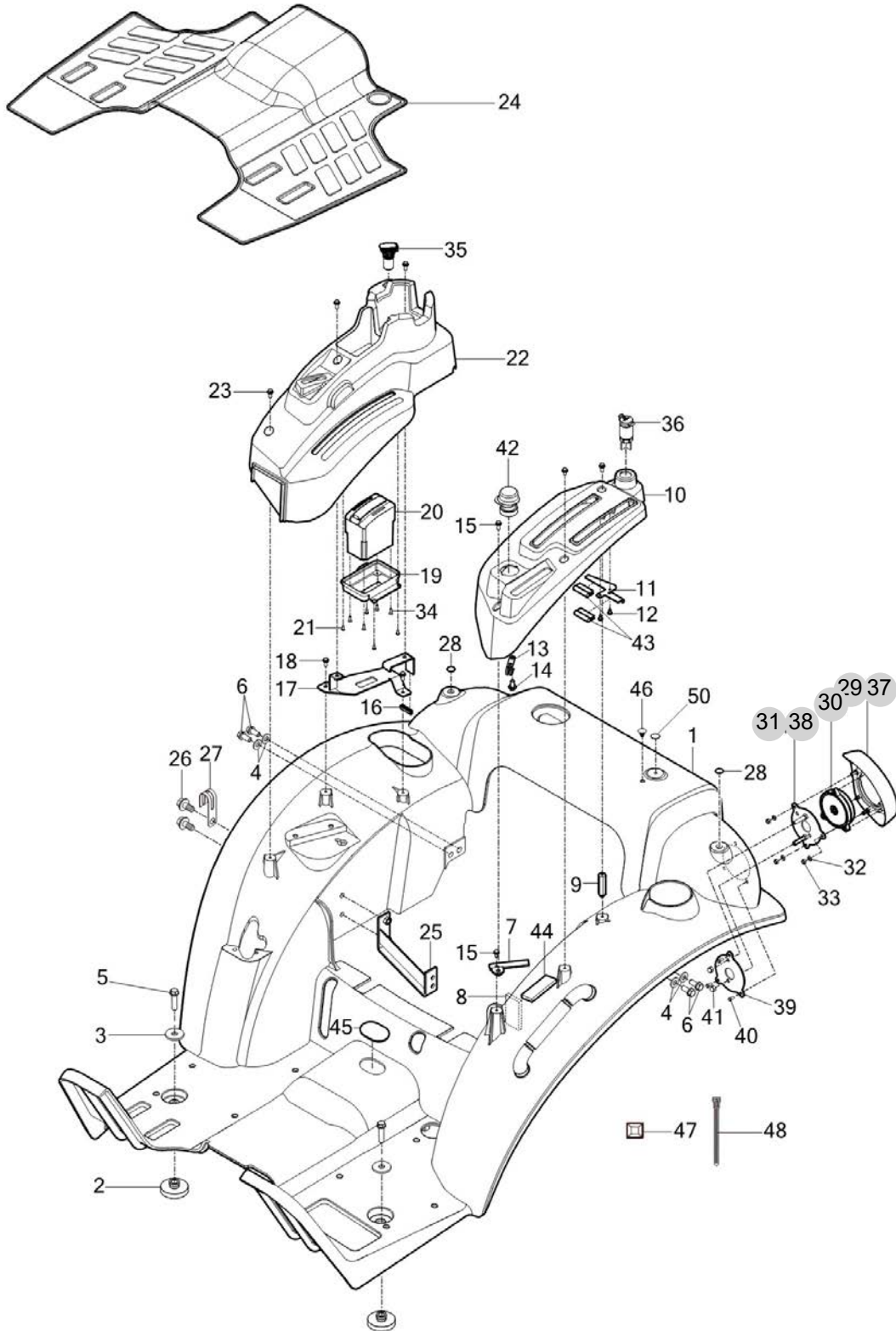
FIG 703

T25NHAU4

FLOOR

년/월
Year/Month

2022-12



NOTE

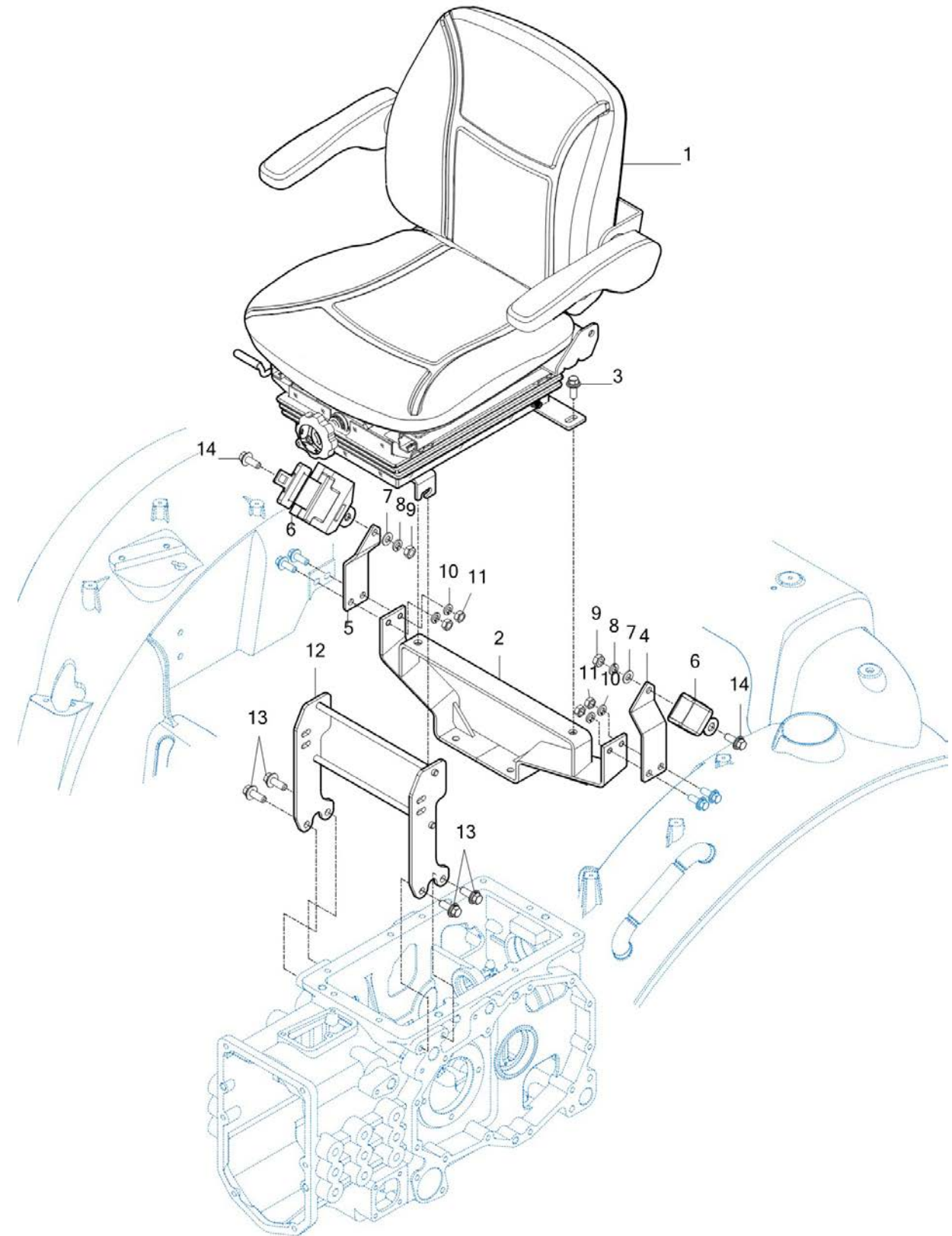
FIG 703		FLOOR					년/월	
							Year/Month	
T25NHAU4		2022-12						
KEY NO	PART NO	DESCRIPTION	SPEC	QTY	REPAIR	EFFECTIVE DATE	REMARKS	
703	1	13156402114SR	플로어 패널		1			
703	2	13156252121	인슐레이터		2			
703	3	13156252110	플레이트		2			
703	4	V4111600100	평와셔	M10	4			
703	5	V2173612040	소형육각볼트보통(S)	M12X40	2			
703	6	V2173610040	소형육각볼트보통(S)	M10X40	4			
703	7	11817082300GB	브래킷 COMP , 전/레버커버		1			
703	8	11816400010	인슐레이터, 4WD		1			
703	9	11817095440	볼트 , 커버		1			
703	10	11817082100	레버커버 SUB , 좌		1			
703	11	11816400020GB	PTO 레버 플레이트		1			
703	12	V1902605012	심자흡냄비태핑나사(3종)		2			
703	13	37371720090	메인하니스 클램프(하)		1			
703	14	19406110080	탭핑나사 , 트러스/6X16		1			
703	15	V1222806012	심자흡냄비작은나사(SP)		4			
703	16	11816030020	인슐레이터 , 우 / 레버커버		1			
703	17	11817082400GB	브래킷 COMP, 레버커버		1			
703	18	V1222806012	심자흡냄비작은나사(SP)		2			
703	19	11817082220	레버커버, 하/우		1			
703	20	11816602300	무선충전기 ASSY		1			
703	21	V1922604012	탭핑나사		4			
703	22	11817082210NG	레버커버, 상/우		1			
703	23	V1222806012	심자흡냄비작은나사(SP)		3			
703	24	13186412110	매트		1			
703	25	13196253100GB	휠더 지지 플레이트(RH)COMP		1			
703	26	V2183608025	소형육각볼트보통(SP)		2			
703	27	14256210040	하니스클램프(9)		1			
703	28	16606070031	캡(9)		2			
703	29	11817023500NG	정지등 램프커버 COMP , LH		1			
703	30	11817023400	스톱램프ASSY		2			
703	31	11817023700	정지등 고정 플레이트 COMP , LH		1			
703	32	V4011600060	스프링와셔		6			
703	33	V3412700080	소형육각캡너트		6			
703	34	V1122804012	심자흡접시작은나사		4			
703	35	11817018500	USB 소켓 ASSY		1			
703	36	10037018500	파워소켓ASSY		1			
703	37	11817023600NG	정지등 램프커버 COMP , RH		1			
703	38	11817023800	정지등 고정 플레이트 COMP , RH		1			
703	39	11817023710	정지등 고정 플레이트		2			
703	40	V1922605012	탭핑나사		6			
703	41	V3412700080	소형육각캡너트		4			
703	42	11106644000	PTO 스위치ASSY		1			
703	43	11816400030	인슐레이터 , 40 / 레버커버		2			
703	44	11816400040	인슐레이터, 하 / 4WD 레버		1			
703	45	14706300020	막음캡(슬로/리턴)		1			
NOTE								

FIG 704

SEAT

년/월
Year/Month

2022-12



NOTE

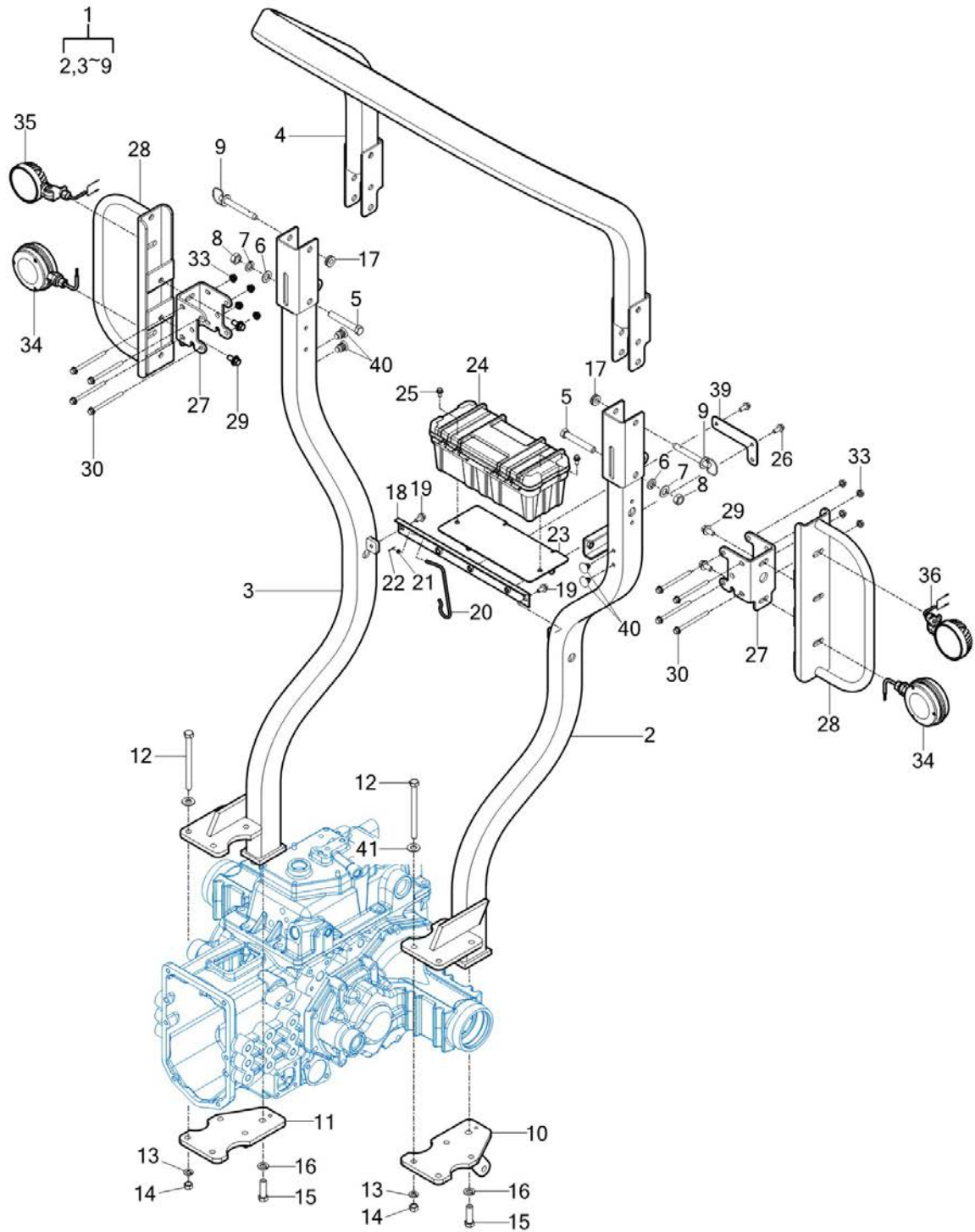
FIG 705

ROPS

년/월
Year/Month

T25NHAU4

2022-12



NOTE

FIG 705		ROPS					년/월	
							Year/Month	
T25NHAU4		2022-12						
KEY NO	PART NO	DESCRIPTION	SPEC	QTY	REPAIR	EFFECTIVE DATE	REMARKS	
705	1	11817022000	ROPS ASSY		1			
705	2	11817022100GB	프레임(좌) COMP		1			
705	3	11817023100GB	프레임(우) COMP		1			
705	4	13397024100GB	프레임(상) COMP		1			
705	5	V2004614090	육각볼트(보통)		2			
705	6	V4111600140	평와셔		2			
705	7	V4011600140	스프링와셔		2			
705	8	V3043600140	소형육각너트보통2종		2			
705	9	16507027500	고정핀 조합		2			
705	10	11817022201GB	브래킷(좌) COMP		1			
705	11	11817023201GB	브래킷(우) COMP		1			
705	12	V2004612150	육각볼트(보통)		8			
705	13	V4011600120	스프링와셔		8			
705	14	V3043600120	소형육각너트보통2종		8			
705	15	V2013614045	소형육각볼트(보통)		2			
705	16	V4011600120	스프링와셔		2			
705	17	14046210300	그로맷		2			
705	18	13197035401GB	브래킷 COMP		1			
705	19	V2183608025	소형육각볼트보통(SP)		2			
705	20	16705251100	후크(톱링크)		1			
705	20	14527071350	후크(톱링크)		1			
705	20	14527071350	후크(톱링크)		1			
705	21	V4111600050	평와셔		1			
705	22	V5001920015	분할핀		1			
705	23	11817011100GB	브래킷 COMP , 공구박스		1			
705	23	11817035400GB	브래킷 COMP,공구박스		1			
705	24	V2183606016	소형육각볼트보통(SP)		2			
705	24	13836081180	공구 박스		1			
705	25	V2183608020	소형육각볼트보통(SP)		2			
705	26	V2183606020	소형육각볼트보통(SP)		2			
705	27	11817120010GB	플레이트 , 콤비		2			
705	28	11817122100GB	브래킷 COMP , 콤비램프		2			
705	29	V2183610025	소형육각볼트보통(SP)		4			
705	30	V2183608100	소형육각볼트보통(SP)		8			
705	33	V3802600080	플랜지붙이육각너트		8			
705	34	11616562000	램프 ASSY, 양면 방향지시등		2			
705	35	11817025800	작업등 ASSY, RH		1			
705	36	11817025700	작업등 ASSY, LH		1			
705	39	11817012010GB	SMV 브래킷		1			
705	40	15276040020	트림 클립(8)		4			
705	41	V4111600120	평와셔		8			
NOTE								

8. 전장 PART NO. T8

FIG 801 BATTERY & MOUNTING	153
FIG 802 LIGHTS	155
FIG 803 INSTRUMENT PANEL	157
FIG 804 ELECTRIC SYSTEM	159
FIG 805 HARNESS	161
FIG 806 HARNESS	163

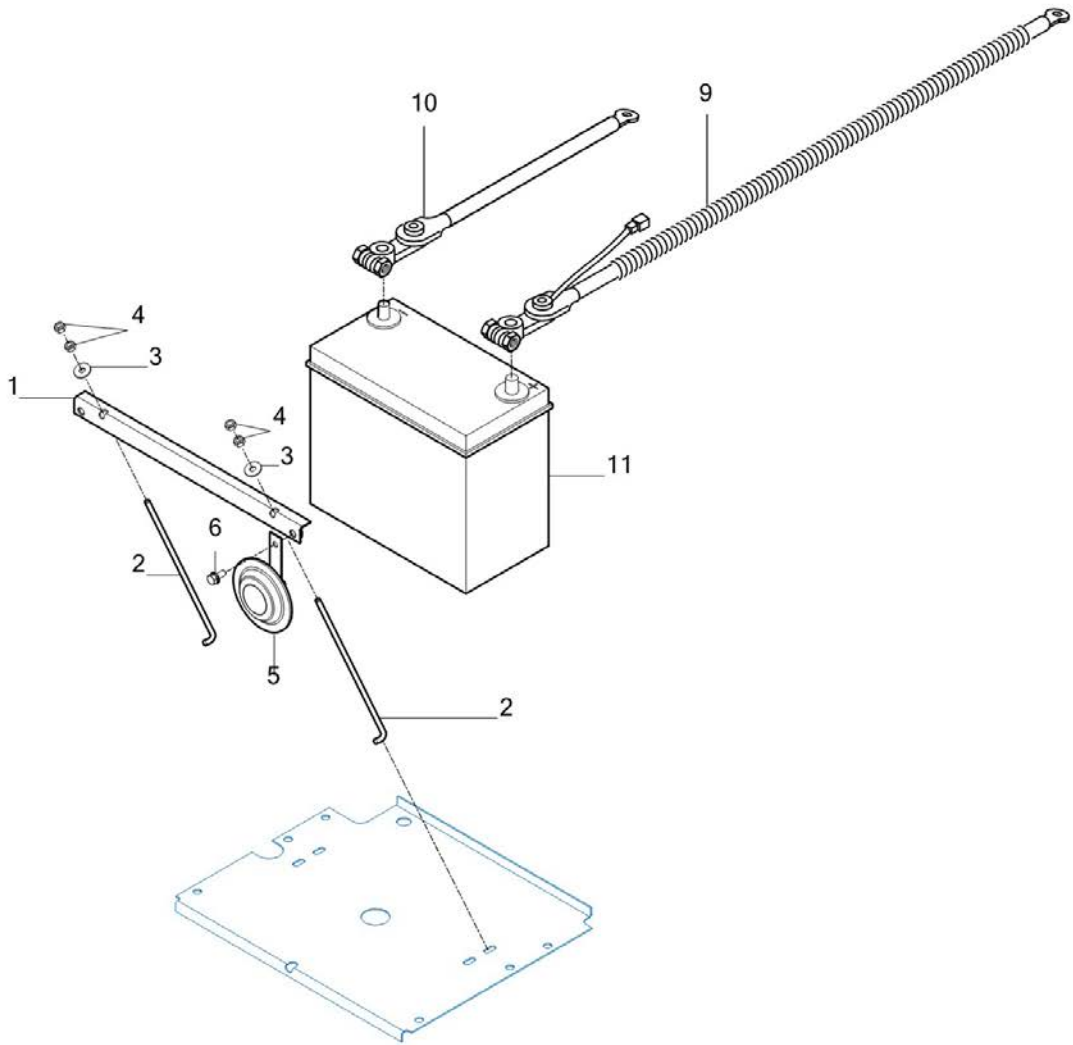
FIG 801

T25NHAU4

BATTERY & MOUNTING

년/월
Year/Month

2022-12



NOTE

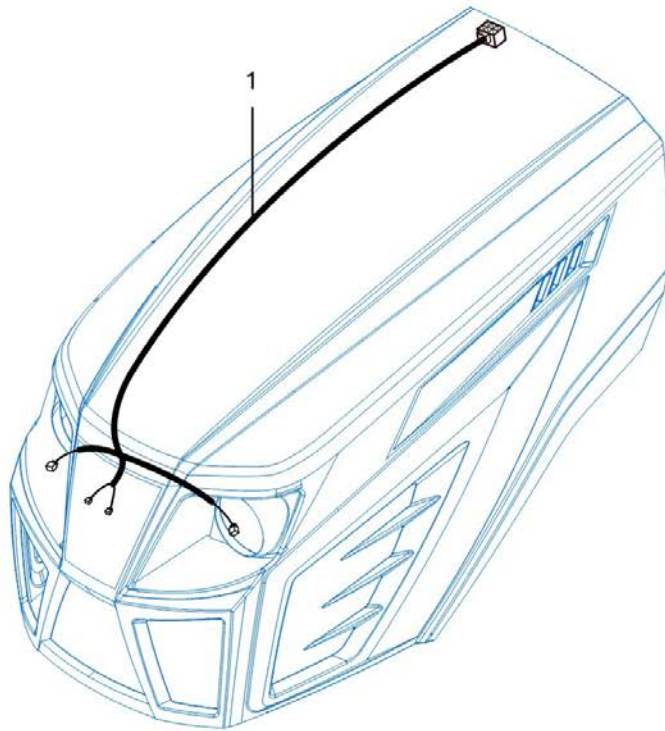
FIG 802

T25NHAU4

LIGHTS

년/월
Year/Month

2022-12



NOTE

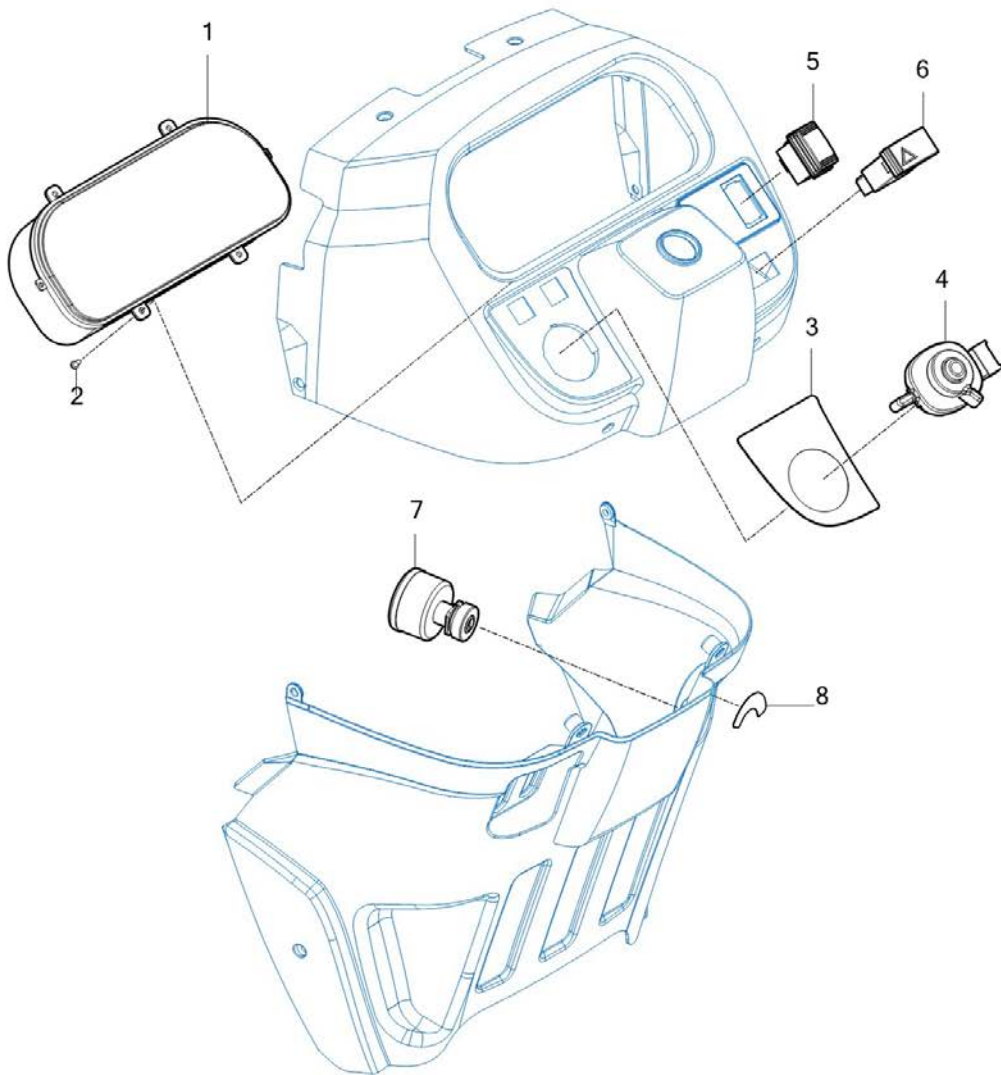
FIG 803

T25NHAU4

INSTRUMENT PANEL

년/월
Year/Month

2022-12



NOTE

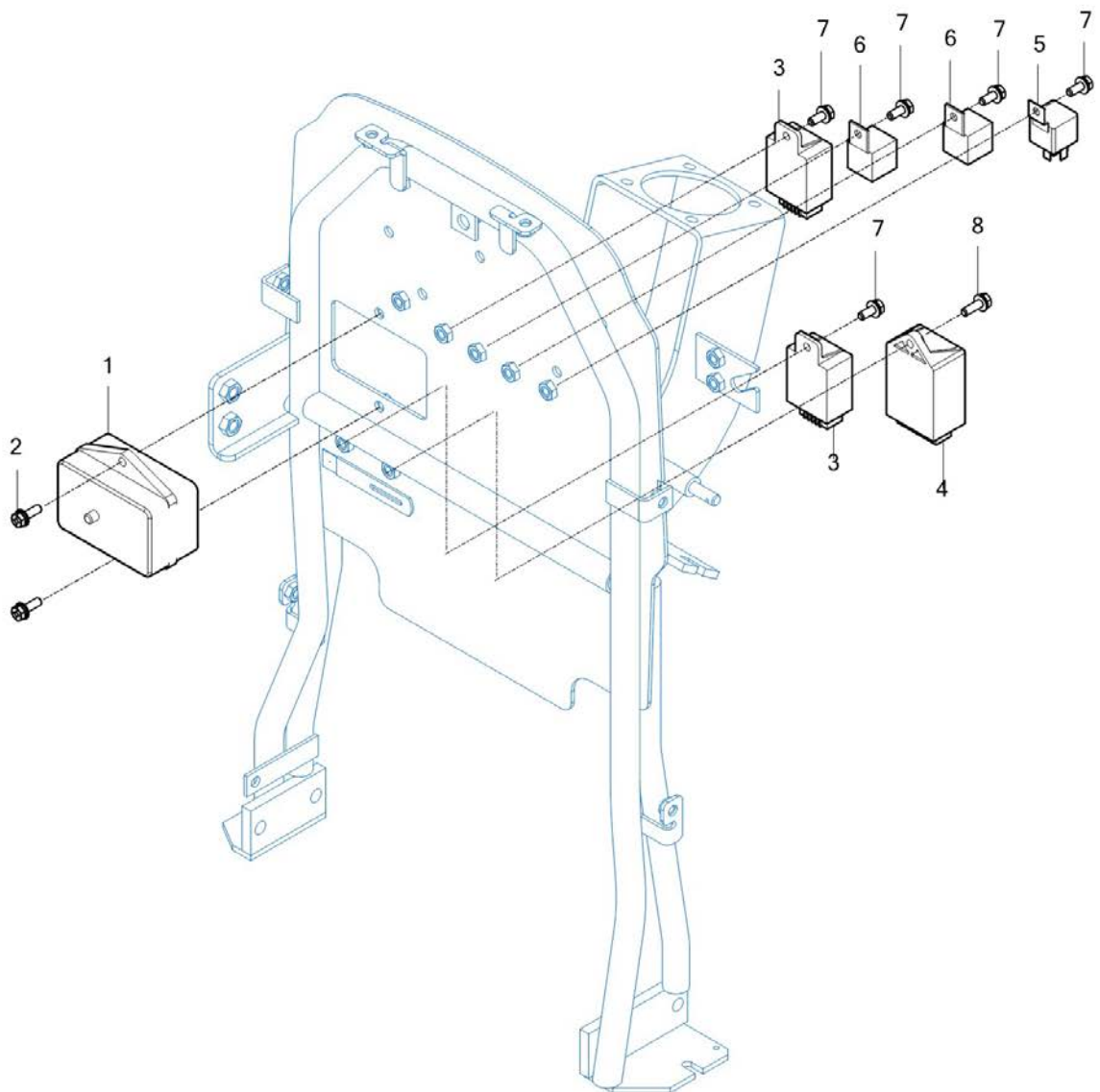
FIG 804

T25NHAU4

ELECTRIC SYSTEM

년/월
Year/Month

2022-12



NOTE

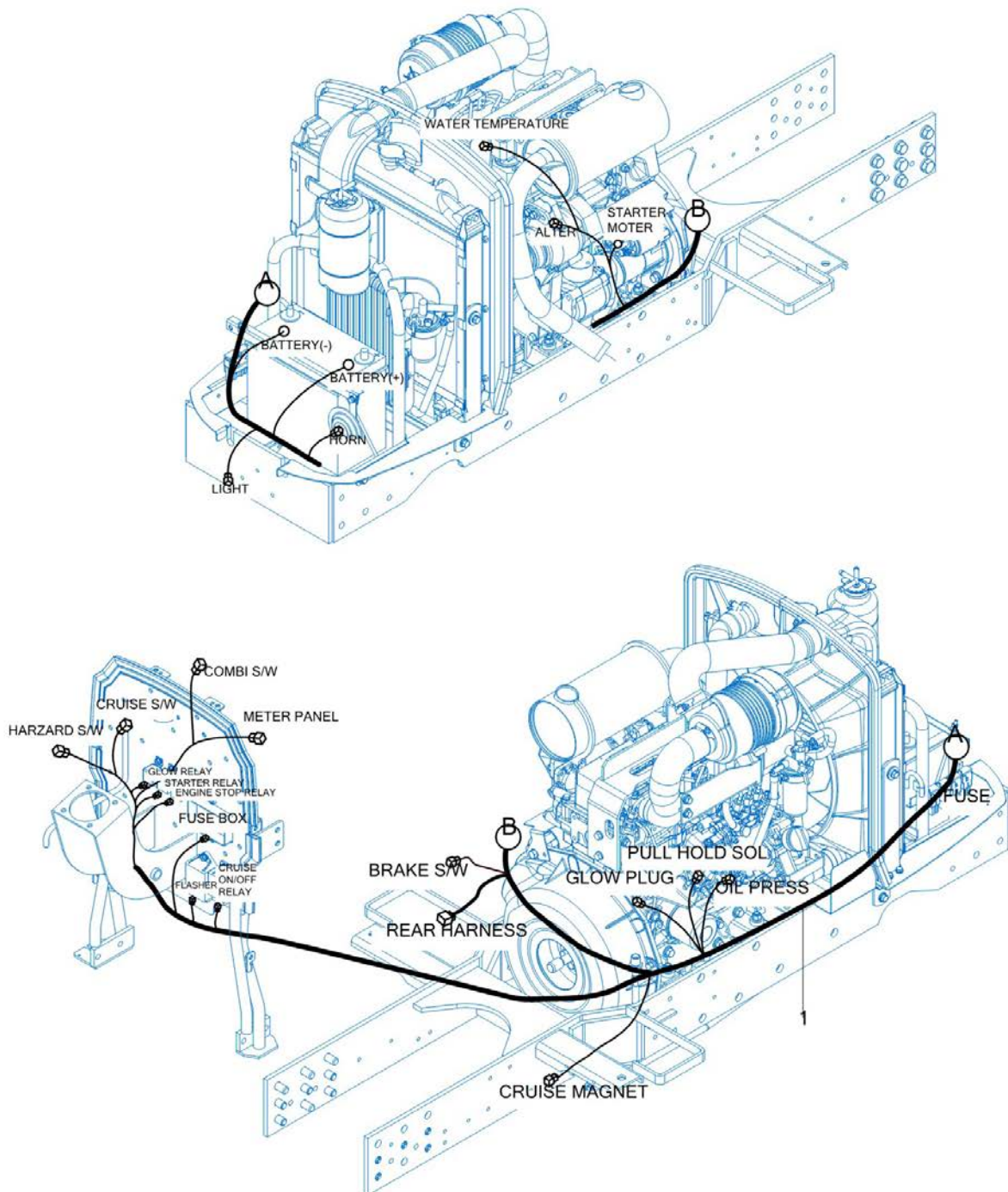
FIG 805

T25NHAU4

HARNESS

년/월
Year/Month

2022-12



NOTE

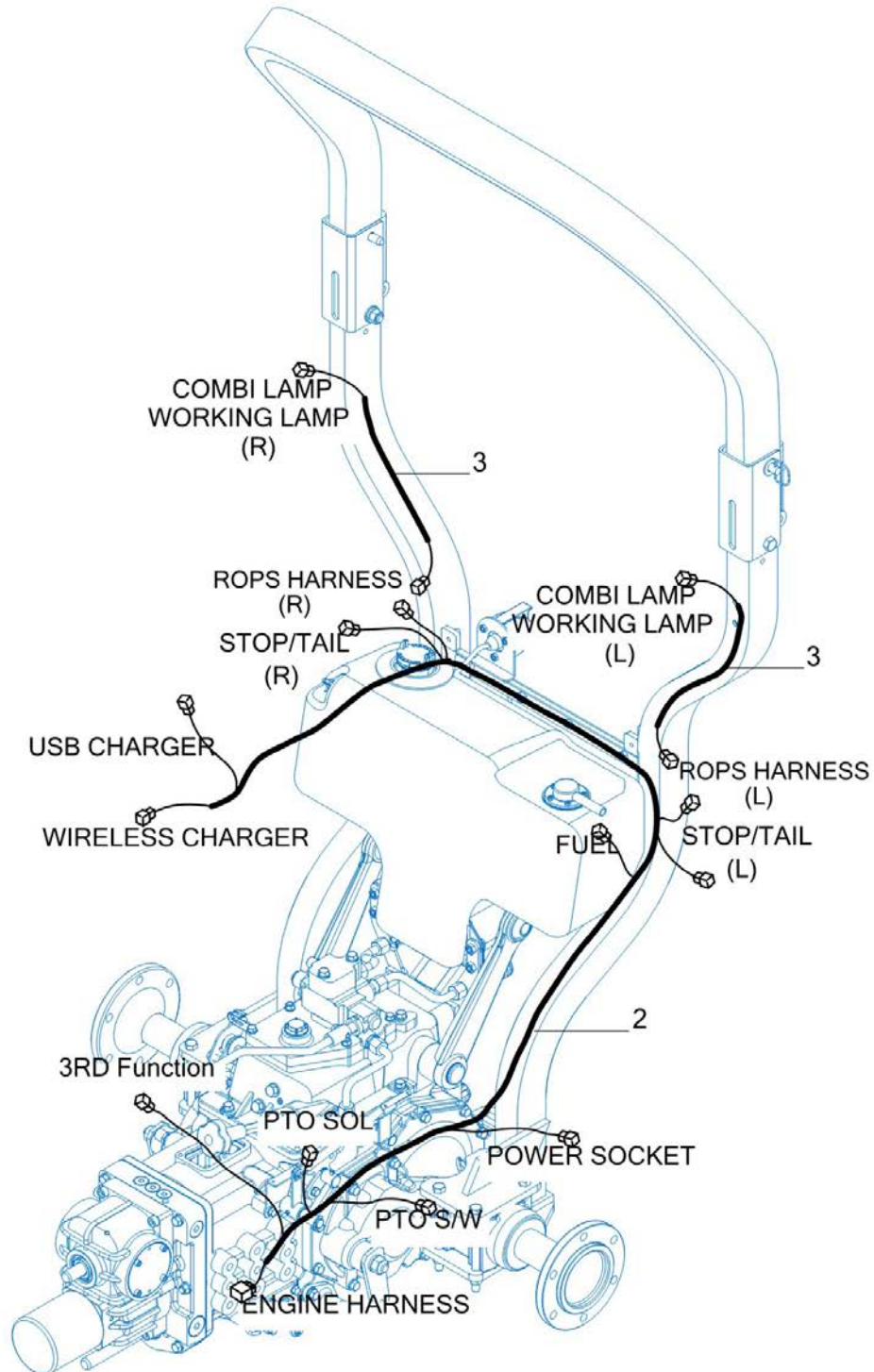
FIG 806

HARNESS

년/월
Year/Month

2022-12

T25NHAU4



NOTE

9. 라벨/옵션 PART NO. T9

FIG 901 TOOL & ACCESSORY

166

FIG 903 LABEL

168

FIG 904 OPTION

170

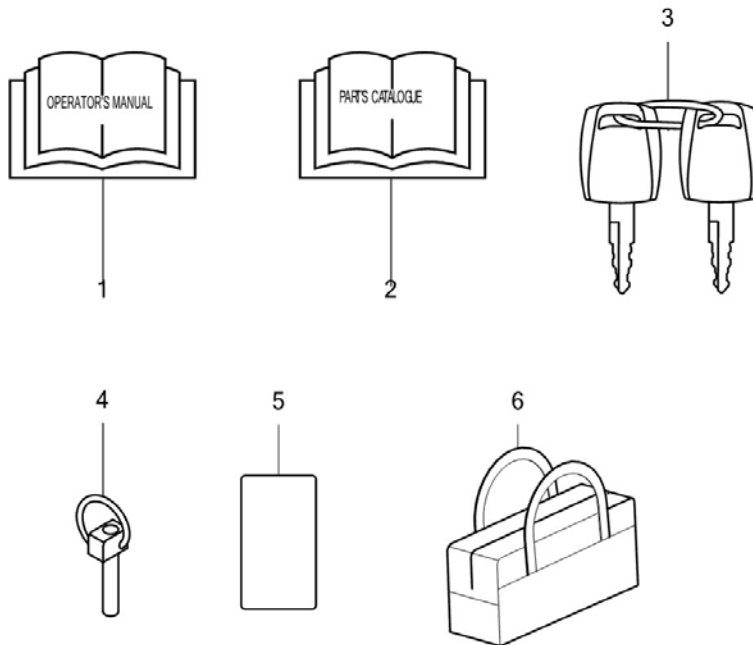
FIG 901

T25NHAU4

TOOL & ACCESSORY

년/월
Year/Month

2022-12



T274U-001

NOTE

FIG 903

LABEL

년/월
Year/Month

T25NHAU4

2022-12

WARNING

Always apply the park brake when parking. Failure to do so can cause accidents and damages.

1200-910-022-0

1

WARNING

Always set the knob to lock when

1. Travelling on the road.
2. Replacing blades on an implement
3. Making adjustment to an implement

Sudden dropping of an implement can cause serious injury or death.

1200-910-006-0

3

WARNING

Do not refuel the tractor while smoking or near naked flame or sparks. always stop engine before refueling tractors.

1200-910-005-0

4

WARNING

Never use the diff-lock at high speed or on the road as this can cause rollover and injury.

1200-910-006-0

5

WARNING

Brake pedals must always be locked together when travelling on the highway. This will ensure uniform braking and provide maximum stopping ability sharp turns must only be made at slow speeds.

1200-910-027-0

6

CAUTION

Keep hands and clothing away from rotating fan and belts to prevent serious injury.

1200-910-012-0

7

DANGER

Rotating driveline contact can cause death. **KEEP AWAY!** Keep all drive line. Tractor and equipment shields in place during operation.

1200-910-013-0

8

WARNING

Attach implements and trailers to the tractor only using the prescribed drawbar or hitch.

1200-910-014-0

9

WARNING

Do not remove radiator cap while engine is hot. Hot steam will injure you.

1200-910-016-0

10

DANGER

Do not ride except operator.

1200-910-016-0

11

WARNING

Always fasten Your seat belt.

1000-910-019-0

12

CAUTION

Do not touch while the system is hot. It cause serious burns.

1200-910-024-0

14

T25

18

Operator's manual

1200-910-023-0

13

1760-910-025-0

1760-910-017-0

15

16

TYM-USA, Inc.

MODEL

Product Identification Number

MADE IN KOREA

www.tym.com

40

PARKING BRAKE

Press down the master brake pedal and lock the parking lever at the same time

1177-906-011-0

21

EPA REGULATION

USE ULTRA LOW SULFUR FUEL ONLY

26



41



WARNING

Additions, alterations, cracking, damage or corrosion to this structure may adversely affect the performance of the ROPS.

23

WARNING

Do not use the accelerator lever except working on the field.

1000-910-017-0

31



27

This ROPS frame was tested in accordance with OECD standard(Code7) for use on TYM tractor model T25 with a reference mass of 965kg. Manufactured by TYM, KOREA

1181-910-005-0

36

DANGER

This Tractor may tip over unexpectedly and quicker than an operator is able to jump free

1. Never operate a tractor without a proper Roll over Protection Structure.(ROPS) equipped with roll over protection
2. Always wear your seat belt when operating this tractor
3. Never pull from above or from the rear axle.
4. Do not operate the tractor on steep slopes or near drop offs
5. Avoid sharp high speed turns

Serious injury or death may result from tractor upsets.

1200-904-501-0

24

WARNING

Death or injury may result if this tractor over turns with the ROPS in the folded down position. Operate this tractor with the ROPS folded down only when necessary. Do not wear seat belt if operated with ROPS folded down

1200-904-502-0

25

WARNING

Push the button to lock position with joystick lever is neutral whenever the implement is not operation.

1200-904-503-0

32

WARNING

Stay clear of raised Boom and bucket.

1760-910-011-0

33

NOTE

FIG 904

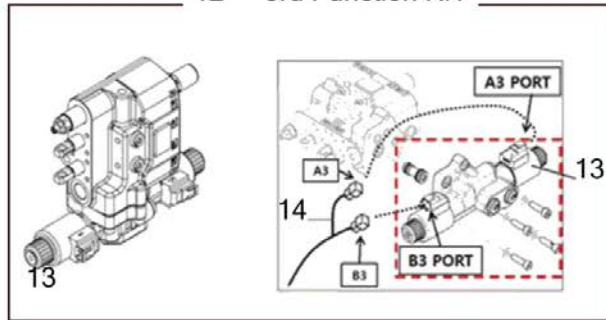
T25NHAU4

OPTION

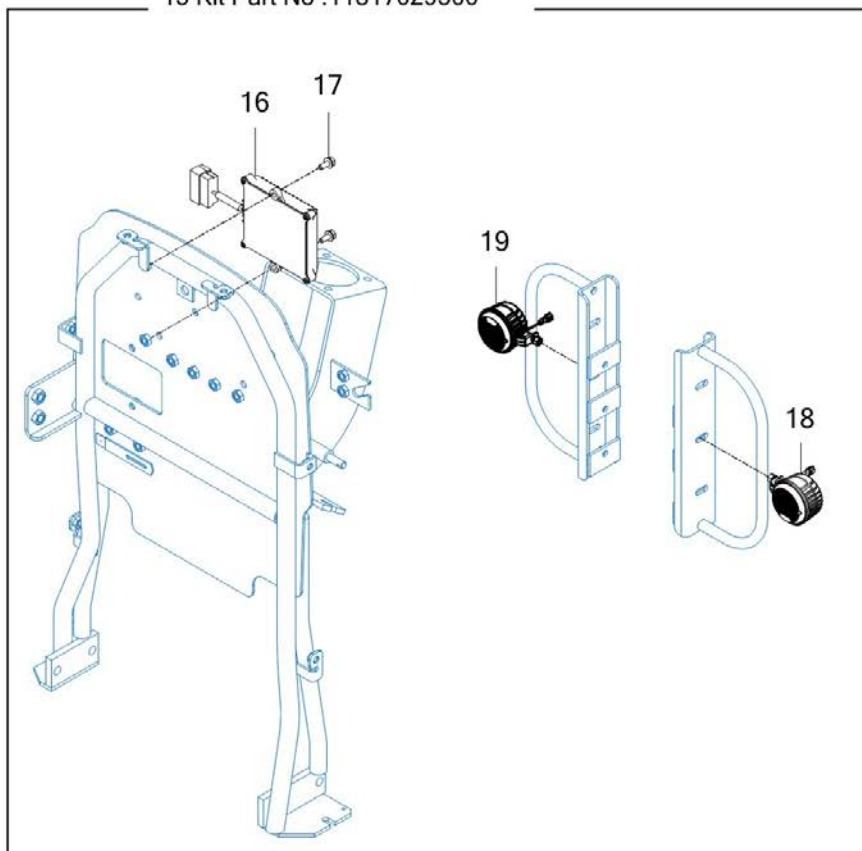
년/월
Year/Month

2022-12

12 3rd Function KIT



15 Kit Part No :11817029500



NOTE

