

T394NC

Parts Catalog

목 차

0. TRACTOR KIT PART NO. TK1

FIG 001 EXTERNAL POSITION LEVER KIT	7
FIG 003 REAR WIPER KIT	9

1. Engine PART NO. EG

FIG 100 ENGINE	12
FIG 101 CYLINDER BLOCK	14
FIG 102 GEAR HOUSING	16
FIG 103 FLYWHEEL HOUSING & OIL SUMP	18
FIG 104 CYLINDER HEAD & BONNET	20
FIG 105 SUCTION MANIFOLD	23
FIG 106 EXHAUST MANIFOLD	25
FIG 107 DIESEL PARTICULATE FILTER(DPF)	27
FIG 108 CAMSHAFT & DRIVING GEAR	29
FIG 109 CRANKSHAFT & PISTON	31
FIG 110 LUB OIL SYSTEM	33
FIG 111 COOLING WATER SYSTEM	35
FIG 112 FUEL SUPPLY PUMP	37
FIG 113 FUEL INJECTION VALVE	39
FIG 114 FUEL PIPE	41
FIG 115 STARTER MOTOR	43
FIG 116 ALTERNATOR	45
FIG 117 ELECTRONIC CONTROL UNIT(ECU)	47
FIG 118 ELECTRIC PARTS	49

2. Engine Accessories PART NO. T2

FIG 201 AIR CLEANER	52
FIG 202 RADIATOR	54
FIG 203 MUFFLER	56
FIG 204 FUEL TANK	58

FIG 205 ACCELERATOR	60
---------------------	----

3. Clutch/Brake/Steering PART NO. T3

FIG 301 CLUTCH PEDAL	63
FIG 302 FLYWHEEL & CLUTCH	65
FIG 303 BRAKE PEDAL	67
FIG 304 BRAKE	69
FIG 306 FRONT WHEEL MOUNTING	71
FIG 307 REAR WHEEL MOUNTING	73
FIG 308 STEERING WHEEL	75
FIG 309 STEERING VALVE & TILT	77
FIG 310 STEERING CYLINDER	79

4. Transmission PART NO. T4

FIG 401 TRANSMISSION FRONT CASE	82
FIG 402 INPUT METAL	84
FIG 403 INPUT GEAR	86
FIG 404 4WD DRIVE GEAR	88
FIG 405 MAIN CHANGE GEARS & REVERSE GEARS	90
FIG 406 SUB CHANGE GEARS	92
FIG 407 PINION GEARS	94
FIG 408 P T O DRIVE SHAFT	96
FIG 409 P T O CHANGE GEARS	98
FIG 410 DIFF LOCK	100
FIG 411 TRANSMISSION REAR CASE	102
FIG 412 REAR AXLE HOUSINGS (1)	104
FIG 413 REAR AXLE HOUSINGS (2)	106
FIG 414 MAIN CHANGE LEVER	108
FIG 415 SUB CHANGE LEVER	110
FIG 416 REVERSE LINK	112
FIG 417 REVERSE CHANGE LEVER	114
FIG 418 4WD CHANGE LEVER	116

5. Front Axle PART NO. T5

FIG 501 FRONT AXLE BRACKET	119
----------------------------	-----

FIG 502 FRONT DIFF. GEARS & SHAFT	121
FIG 503 FRONT AXLE HOUSING	123
FIG 504 FRONT GEAR CASE (1)	125
FIG 505 FRONT GEAR CASE (2)	127

6. Hydraulic/3P-Link PART NO. T6

FIG 601 GEAR PUMP	130
FIG 602 CYLINDER CASE	132
FIG 603 LIFT ARM	134
FIG 604 CYLINDER	136
FIG 605 POSITION LINK (1)	138
FIG 606 POSITION LINK (2)	140
FIG 607 CONTROL VALVE	142
FIG 608 POSITION LEVER	144
FIG 609 HYDRAULIC PIPE (1)	146
FIG 610 HYDRAULIC PIPE (2)	148
FIG 611 EXTERIOR HYD VALVE	150
FIG 611-2 VALVE KIT	152
FIG 612 3-POINT LINK	154
FIG 613 HITCH & COVER	156
FIG 614 EXTERIOR POSITION LEVER	158

7. Sheet Metal & Cabin PART NO. T7

FIG 701 HOOD (1)	161
FIG 702 BONNET	163
FIG 704 FENDER & REAR FRAME	166
FIG 705 DASH PANEL	169
FIG 706 FLOOR PANEL	171
FIG 707 SEAT	173
FIG 708 FRONT & REAR MOUNTING	175
FIG 709 ROPS	177

8. Electrical System PART NO. T8

FIG 801 BATTERY & MOUNTING	180
FIG 802 LAMP	182

FIG 803 INSTRUMENT PANEL	184
FIG 804 ELECTRIC SYSTEM	186
FIG 805 HARNESS (1)	188
FIG 806 HARNESS (2)	190

9. Label/Option PART NO. T9

FIG 901 WEIGHT(OPTION)	193
FIG 902 TOOL & ACCESSORY	195
FIG 903 LABEL	197

0. TRACTOR KIT PART NO. TK1

FIG 001 EXTERNAL POSITION LEVER KIT

7

FIG 003 REAR WIPER KIT

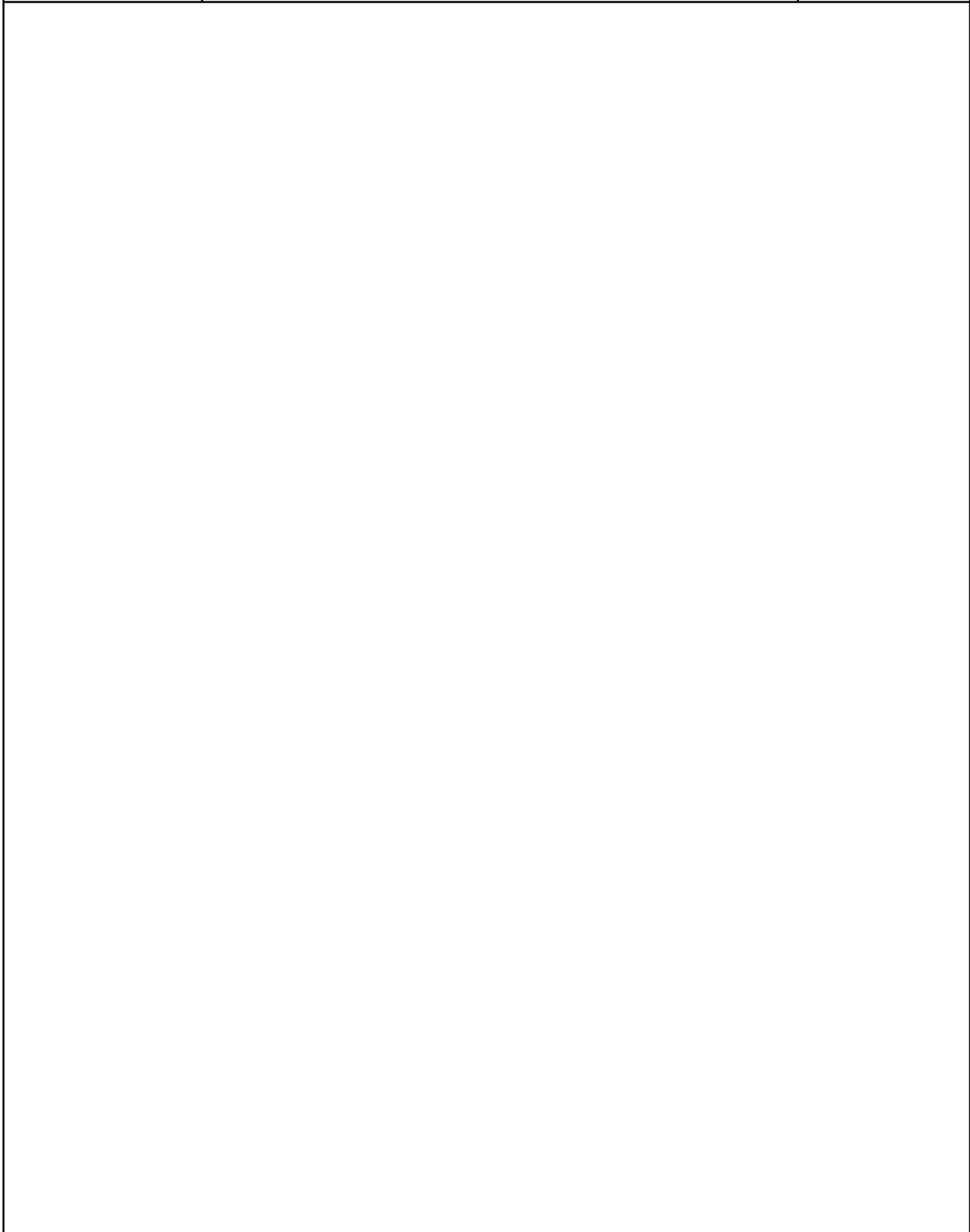
9

FIG 001 T394NC	EXTERNAL POSITION LEVER KIT	년/월 Year/Month 2022-12
-------------------	-----------------------------	------------------------------

--	--

NOTE	
------	--

FIG 003 T394NC	REAR WIPER KIT	년/월 Year/Month 2022-12
-------------------	----------------	------------------------------



NOTE	
------	--

1. Engine PART NO. EG

FIG 100 ENGINE	12
FIG 101 CYLINDER BLOCK	14
FIG 102 GEAR HOUSING	16
FIG 103 FLYWHEEL HOUSING & OIL SUMP	18
FIG 104 CYLINDER HEAD & BONNET	20
FIG 105 SUCTION MANIFOLD	23
FIG 106 EXHAUST MANIFOLD	25
FIG 107 DIESEL PARTICULATE FILTER(DPF)	27
FIG 108 CAMSHAFT & DRIVING GEAR	29
FIG 109 CRANKSHAFT & PISTON	31
FIG 110 LUB OIL SYSTEM	33
FIG 111 COOLING WATER SYSTEM	35
FIG 112 FUEL SUPPLY PUMP	37
FIG 113 FUEL INJECTION VALVE	39
FIG 114 FUEL PIPE	41
FIG 115 STARTER MOTOR	43
FIG 116 ALTERNATOR	45
FIG 117 ELECTRONIC CONTROL UNIT(ECU)	47
FIG 118 ELECTRIC PARTS	49

FIG 100 T394NC	ENGINE	년/월 Year/Month 2022-12
-------------------	--------	------------------------------

--	--

NOTE	
------	--

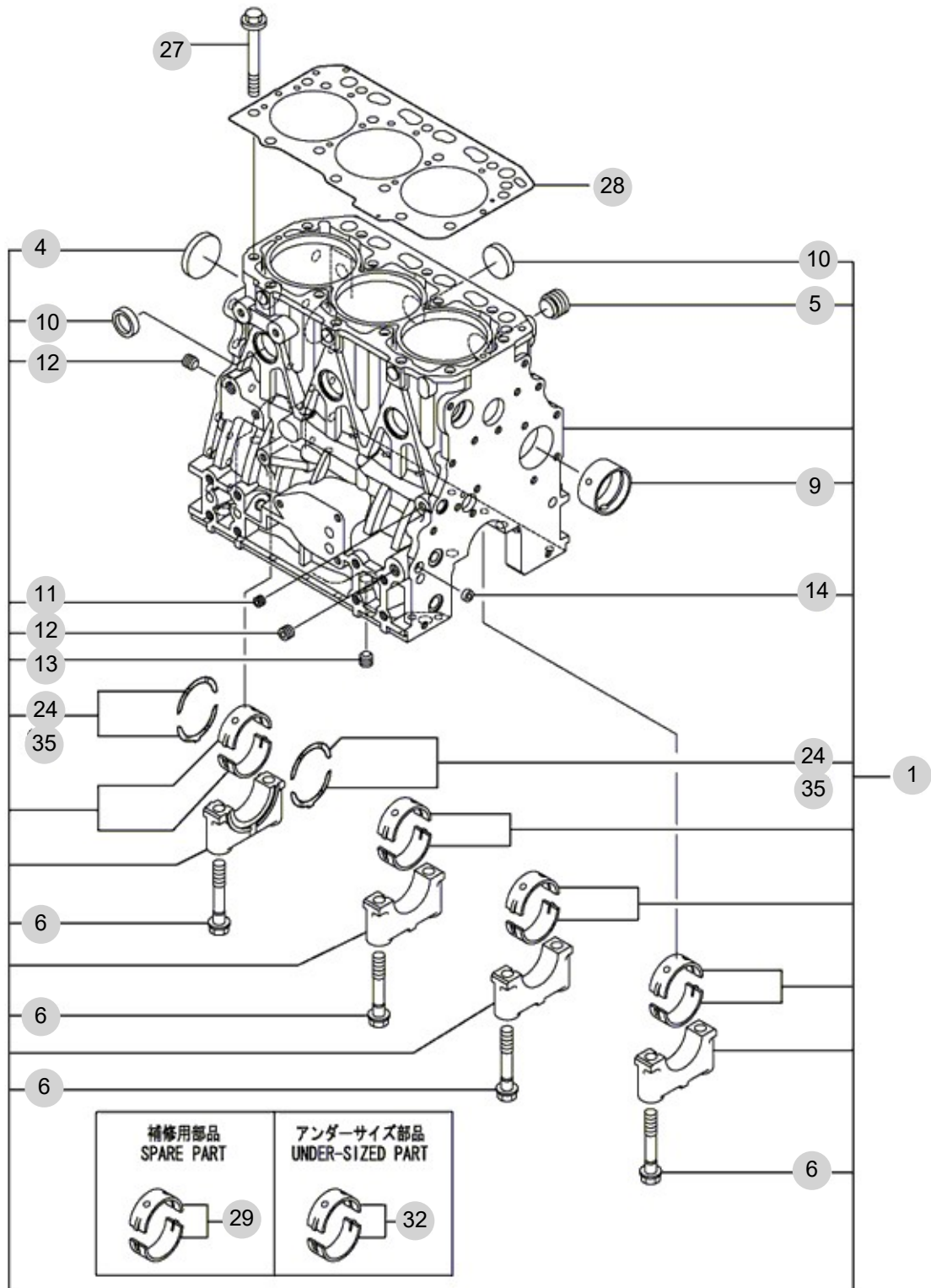
FIG 101

CYLINDER BLOCK

년/월
Year/Month

2022-12

T394NC



NOTE

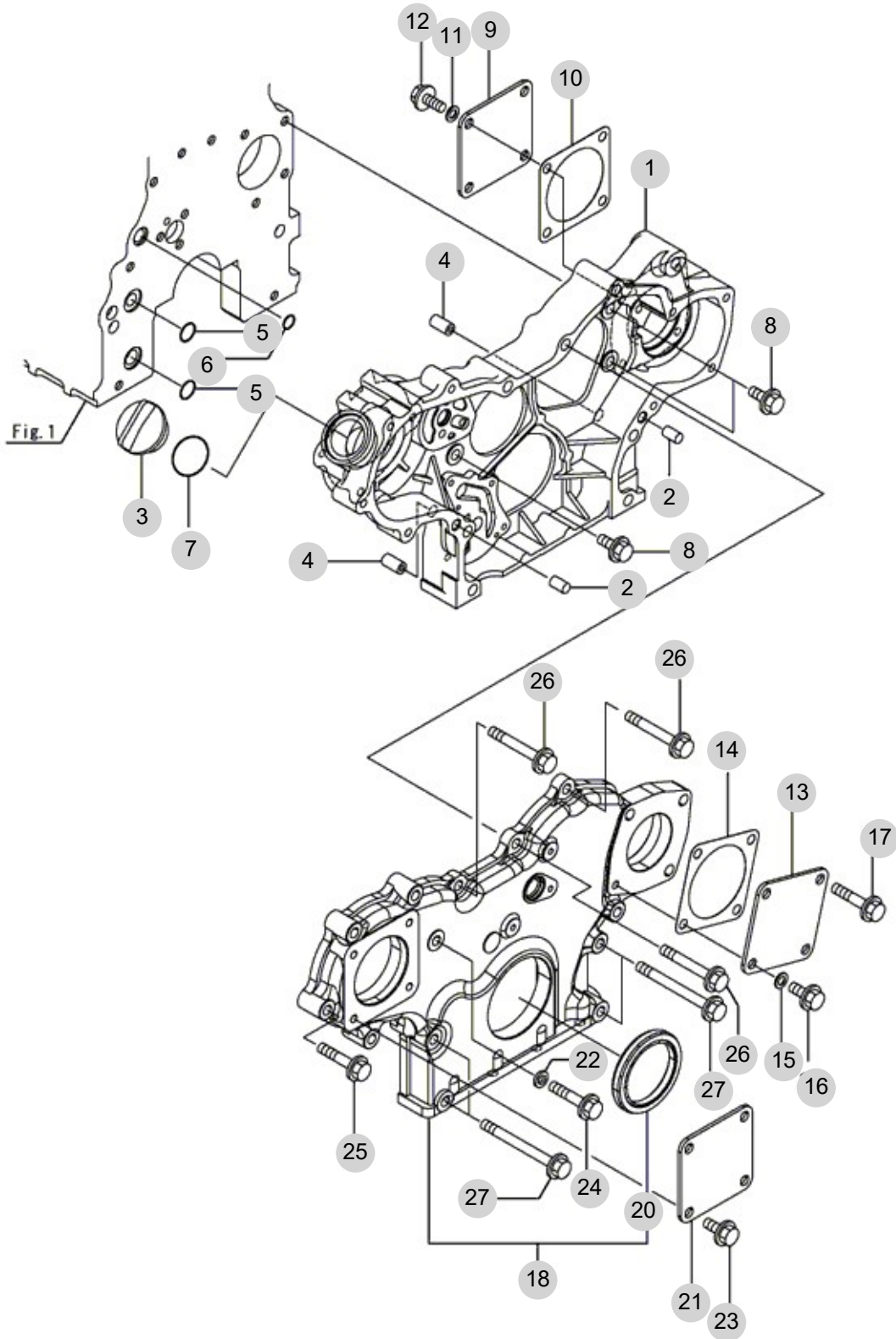
FIG 102

GEAR HOUSING

년/월
Year/Month

2022-12

T394NC



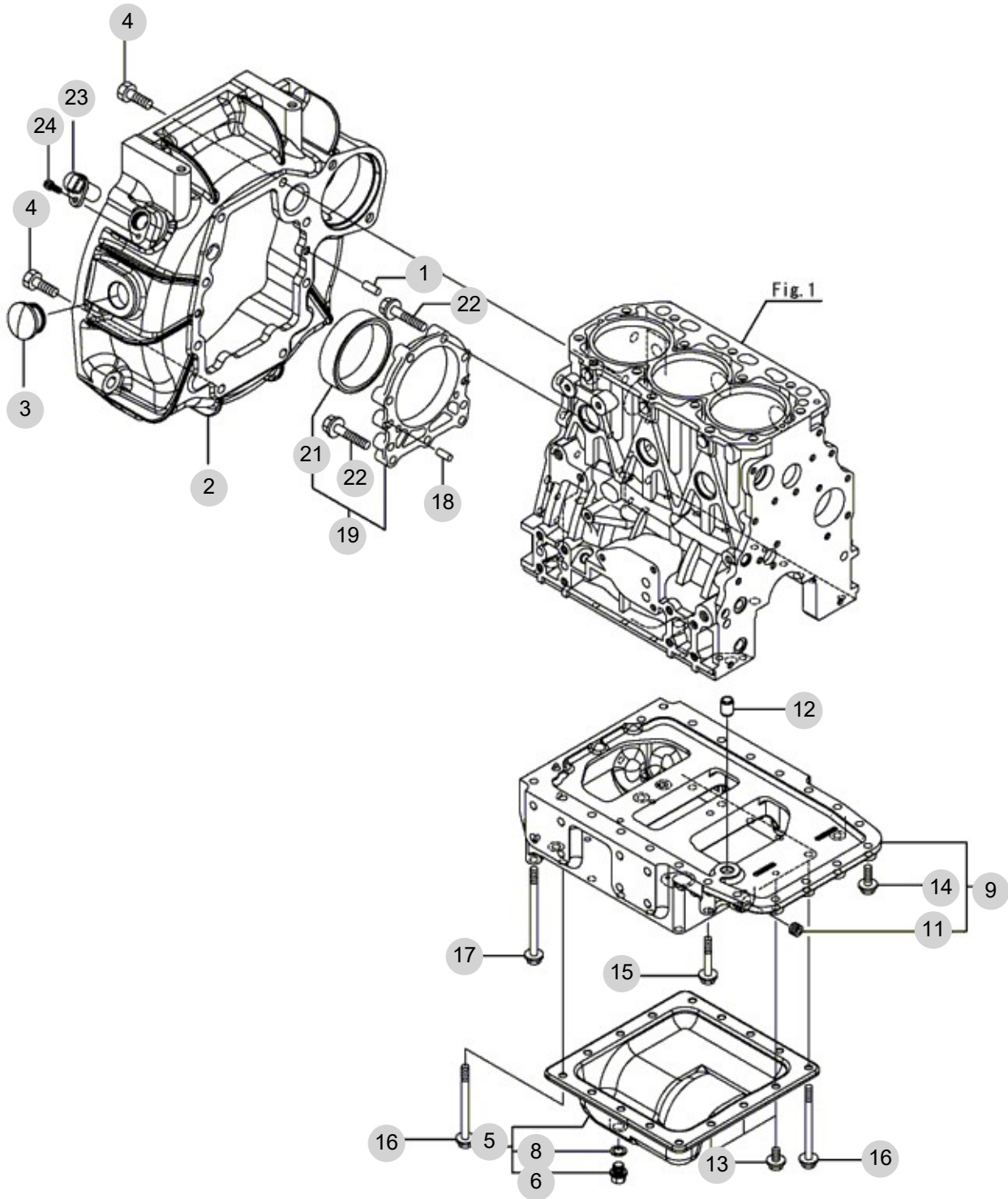
NOTE

FIG 103

FLYWHEEL HOUSING & OIL SUMP

년/월
Year/Month

2022-12



NOTE

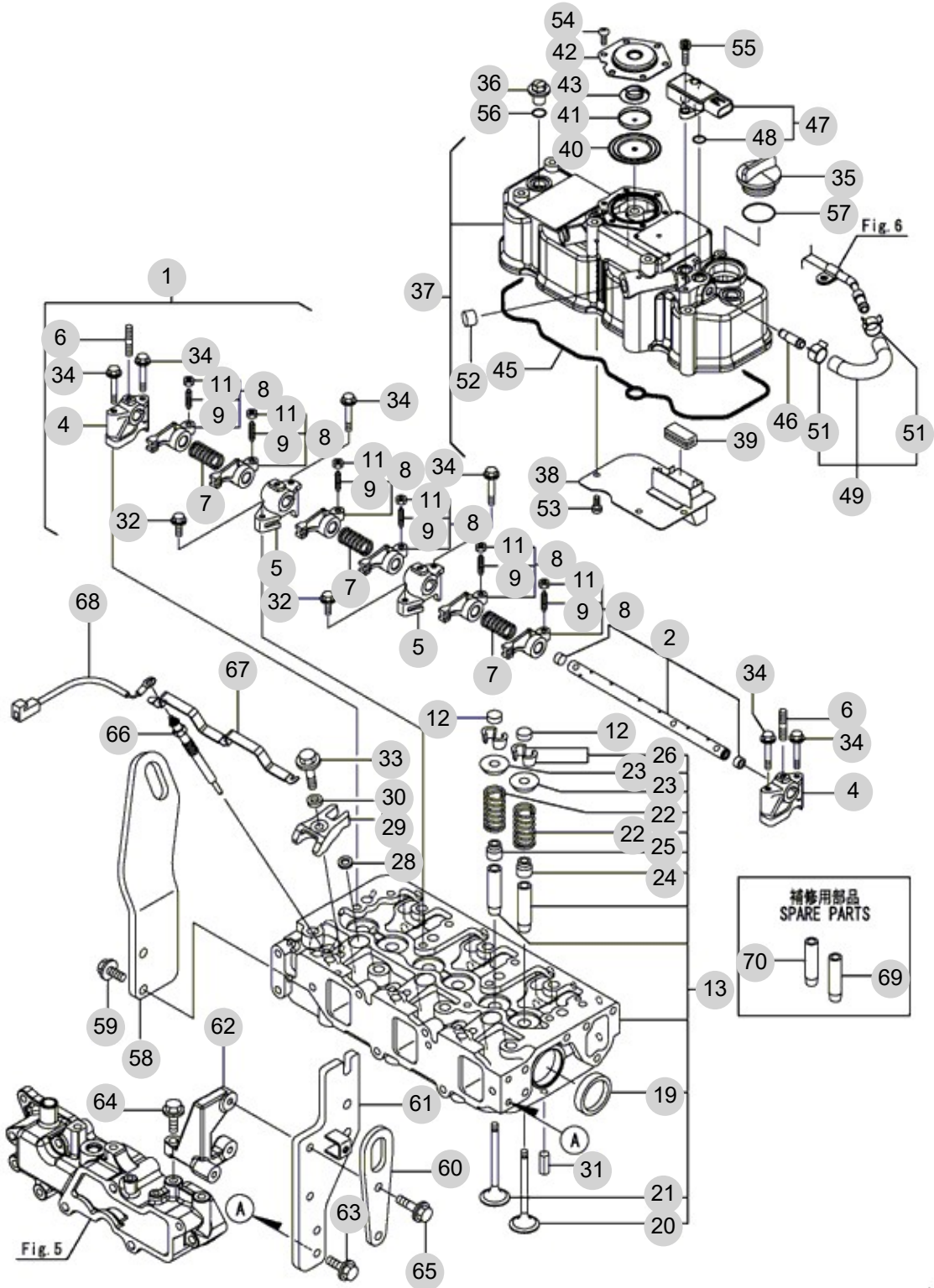
FIG 104

CYLINDER HEAD & BONNET

년/월
Year/Month

2022-12

T394NC



NOTE

FIG 104		CYLINDER HEAD & BONNET					년/월 Year/Month		
							2022-12		
T394NC		KEY NO	PART NO	DESCRIPTION	SPEC	QTY	REPAIR	EFFECTIVE DATE	REMARKS
104	1	129004-11241	SHAFT ASSY, ROCKER			1			
104	2	129004-11251	SHAFT, ROCKER ARM			1			
104	4	119802-11260	SUPPORT, ROCKER ARM			2			
104	5	119802-11270	SUPPORT, ROCKER ARM			2			
104	6	119802-11280	BOLT, STUD			3			
104	7	129150-11280	SPRING, ROCKER			3			
104	8	129004-11650	ARM ASSY, ROCKER			6			
104	9	129150-11230	SCREW, VALVE ADJUST			6			
104	11	129150-11750	NUT, M8			6			
104	12	129150-11370	CAP, VALVE			6			
104	13	129A00-11710	HEAD ASSY, CYLINDER			1			
104	19	27241-400000	PLUG, 40			2			
104	20	129005-11100	VALVE, SUCTION			3			
104	21	129100-11112	VALVE, EXHAUST			3			
104	22	129795-11120	SPRING, VALVE			6			
104	23	129795-11180	RETAINER, SPRING			6			
104	24	124460-11340	SEAL, VALVE STEM			3			
104	25	129A00-11340	SEAL, VALVE STEM			3			
104	26	27310-080001	COTTER, 8			6			
104	28	129978-11871	GASKET,INJECTOR			3			
104	29	129A00-11900	RETAINER, INJECTOR			3			
104	30	120270-54410	WASHER, INJECTOR			3			
104	31	22351-060012	PIN, SPRING 6.0X12			2			
104	32	26106-080252	SCREW , HEX FLANGE HEAD CAP			2			
104	33	26106-080352	BOLT			3			
104	34	26106-080502	BOLT, M8X 50 PLATED			6			
104	35	124160-01751	CAP, FILLER			1			
104	36	124160-11360	KNOB			3			
104	37	129A00-11360	BONNET ASSY			1			
104	38	129004-03010	PLATE, BAFFLE			1			
104	39	129150-03070	BAFFLE, BREATHER			1			
104	40	123907-03100	DIAPHRAGM			1			
104	41	123907-03110	PLATE			1			
104	42	123907-03120	PLATE, BREATHER			1			
104	43	123907-03140	SPRING, DIAPHRAGM			1			
104	45	129A00-11310	GASKET, BONNET			1			
104	46	129A00-11330	JOINT			1			
104	47	129978-12700	SENSOR,PRESSURE			1			
104	48	129A00-12780	O-RING,PRES SENSOR			2			
104	49	129A00-13360	HOSE ASSY, PRES EXH			1			
104	51	129A00-13380	CLIP, HOSE 14			2			
104	52	119640-61400	PLUG			1			
104	53	22857-500100	SCREW, 5X10			4			
104	54	22857-500100	SCREW, 5X10			6			
104	55	26450-060162	BOLT, M6X 16			2			
NOTE									

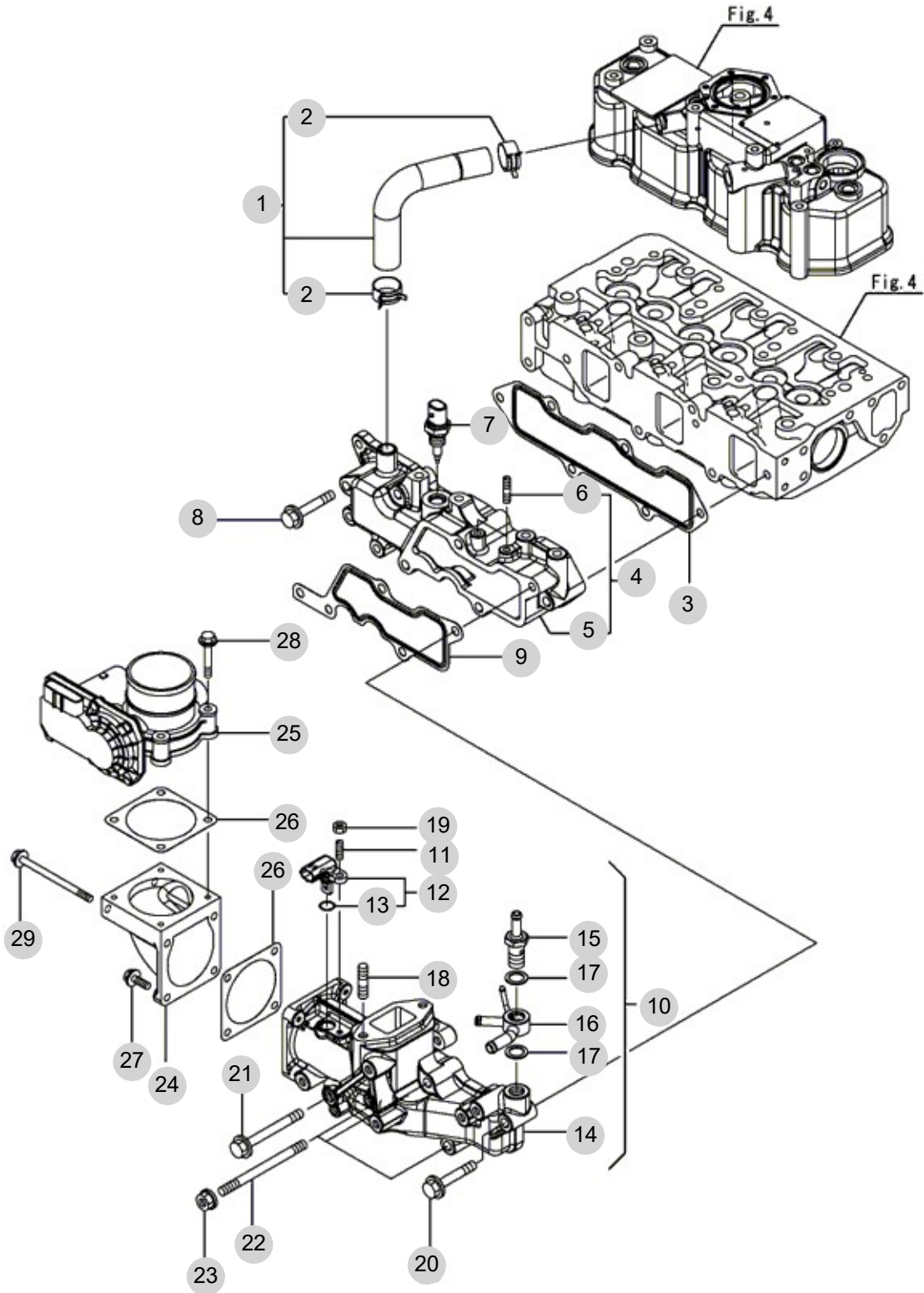
FIG 105

SUCTION MANIFOLD

년/월
Year/Month

2022-12

T394NC



NOTE

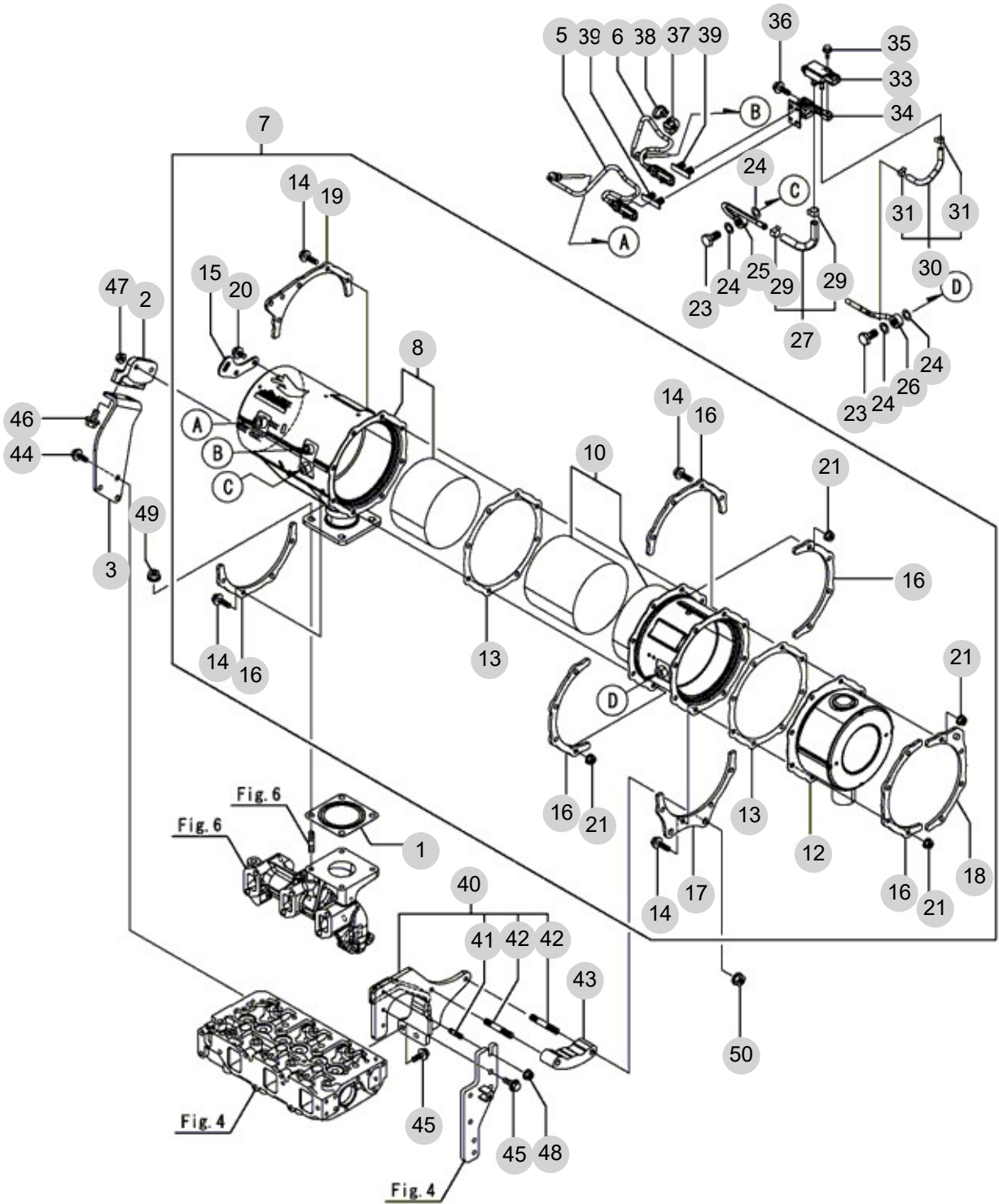
FIG 107

DIESEL PARTICULATE FILTER(DPF)

년/월
Year/Month

T394NC

2022-12



NOTE

FIG 107		DIESEL PARTICULATE FILTER(DPF)					년/월 Year/Month		
							2022-12		
T394NC		KEY NO	PART NO	DESCRIPTION	SPEC	QTY	REPAIR	EFFECTIVE DATE	REMARKS
107	1	128300-13230	GASKET, SILENCER			1			
107	2	129A00-16820	STAY,DPF			1			
107	3	129A00-16830	STAY,DPF			1			
107	5	129C00-13940	SENSOR, EXH.TEMP			1			
107	6	129C00-13950	SENSOR, EXH.TEMP			1			
107	7	129A26-16000	DPF ASSY			1			
107	8	129A00-16210	CASE, DOC			1			
107	10	129A00-16410	CASE, SOOT FILTER			1			
107	12	129A00-16500	SILENCER, DPF			1			
107	13	129A00-16600	GASKET, DPF			2			
107	14	129A00-16610	BOLT, M8X28 10.9T			16			
107	15	129C01-16690	LIFTER, DPF			1			
107	16	129A00-16700	STIFFENER, DPF A			5			
107	17	129A00-16720	STIFFENER, DPF B			1			
107	18	129A00-16740	STIFFENER, DPF C			1			
107	19	129A00-16750	STIFFENER, DPF C			1			
107	20	26106-080142	BOLT, M8X 14 PLATED			2			
107	21	26306-080002	NUT, M8			16			
107	23	129A00-13350	BOLT, PIPE JOINT			2			
107	24	129A00-17311	GASKET,SENSOR			4			
107	25	129A00-17330	PIPE ASSY, SENSOR			1			
107	26	129A00-17360	PIPE ASSY, SENSOR			1			
107	27	129A00-17610	HOSE ASSY,PRES EXH			1			
107	29	129A00-17520	CLIP, HOSE			2			
107	30	129A00-17670	HOSE ASSY,PRES EXH			1			
107	31	129A00-17570	CLIP, HOSE			2			
107	33	129978-17700	SENSOR,PRESSURE			1			
107	34	129A00-17780	BRACKET, SENSOR			1			
107	35	26106-060162	BOLT, M6X 16 PLATED			2			
107	36	26106-080202	BOLT, M8X 20 PLATED	8X20		2			
107	37	129A00-91200	BAND CLIP			1			
107	38	129C00-91200	BAND			1			
107	39	129A00-91430	CLIP, CONNECTOR			2			
107	40	129A26-17360	STAY ASSY, DPF			1			
107	41	26216-080202	STUD, M8X 20			1			
107	42	26216-100552	STUD, M10X 55			2			
107	43	129A23-17370	SPACER, DPF			1			
107	44	26106-080162	BOLT, M8X 16 PLATED			3			
107	45	26106-080202	BOLT, M8X 20 PLATED	8X20		4			
107	46	26106-100202	FLANGE BOLT			2			
107	47	26306-080002	NUT, M8			2			
107	48	26306-080002	NUT, M8			1			
107	49	26306-100002	NUT, M10			4			
107	50	26306-100002	NUT, M10			2			
NOTE									

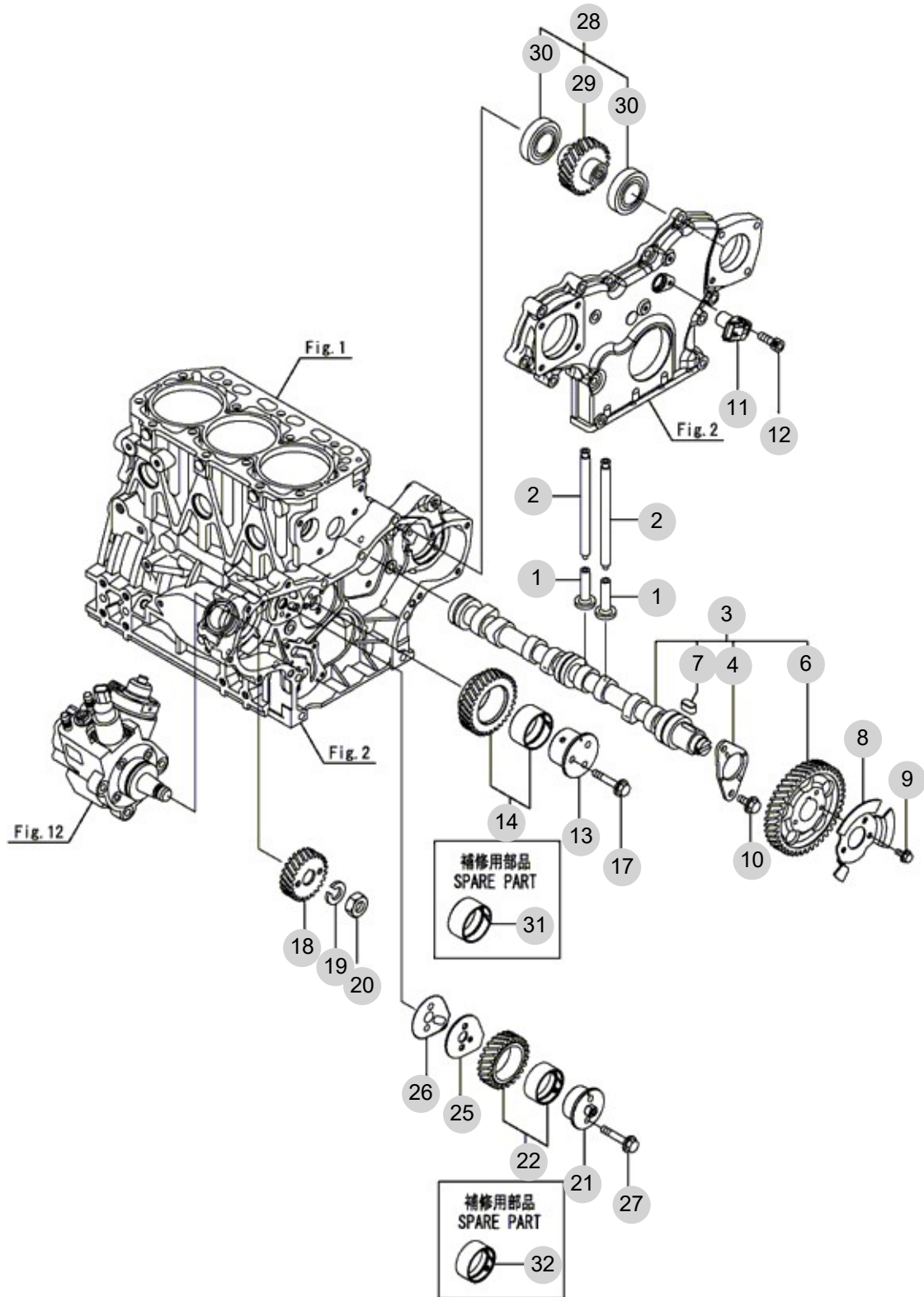
FIG 108

CAMSHAFT & DRIVING GEAR

년/월
Year/Month

2022-12

T394NC



NOTE

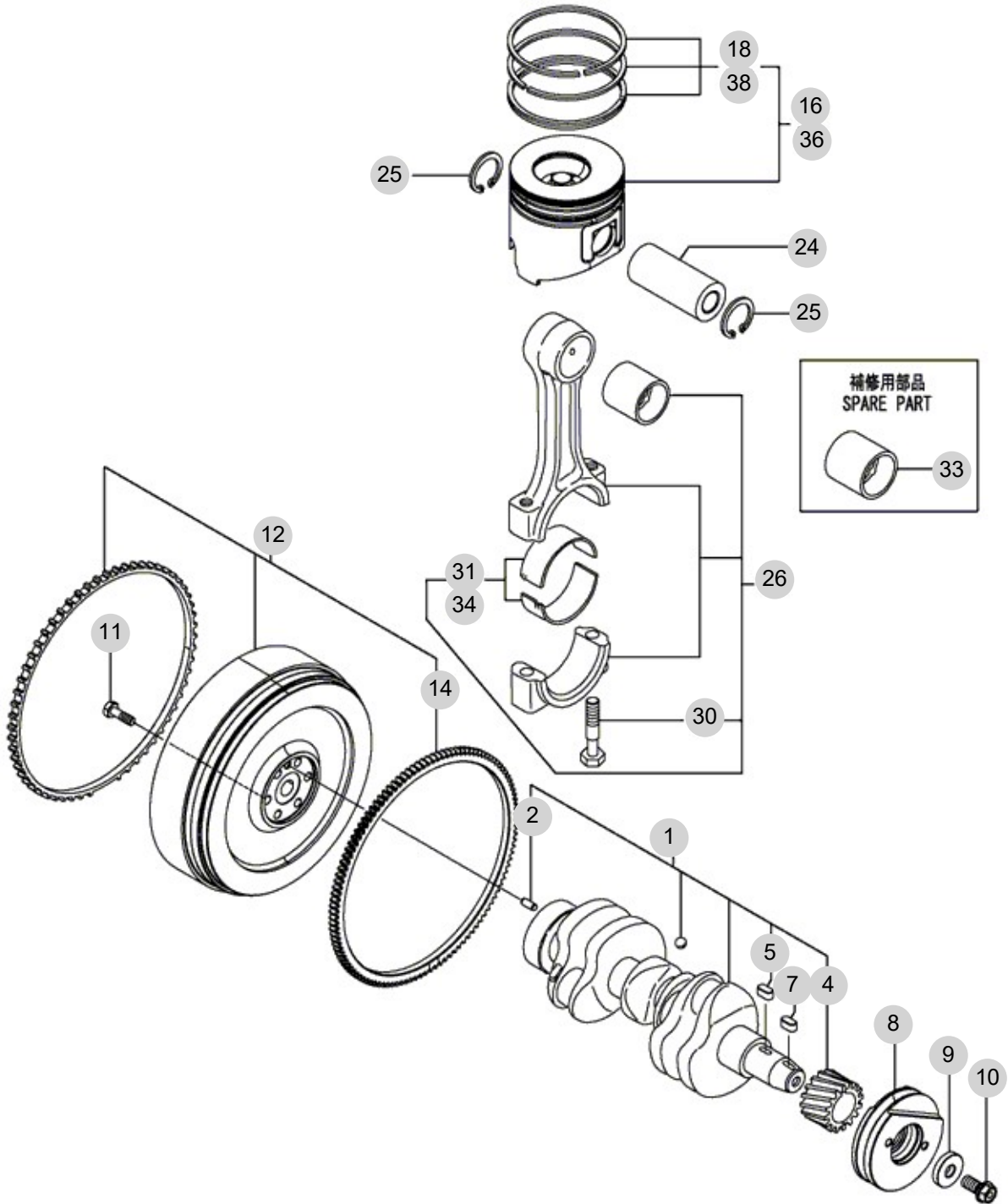
FIG 109

T394NC

CRANKSHAFT & PISTON

년/월
Year/Month

2022-12



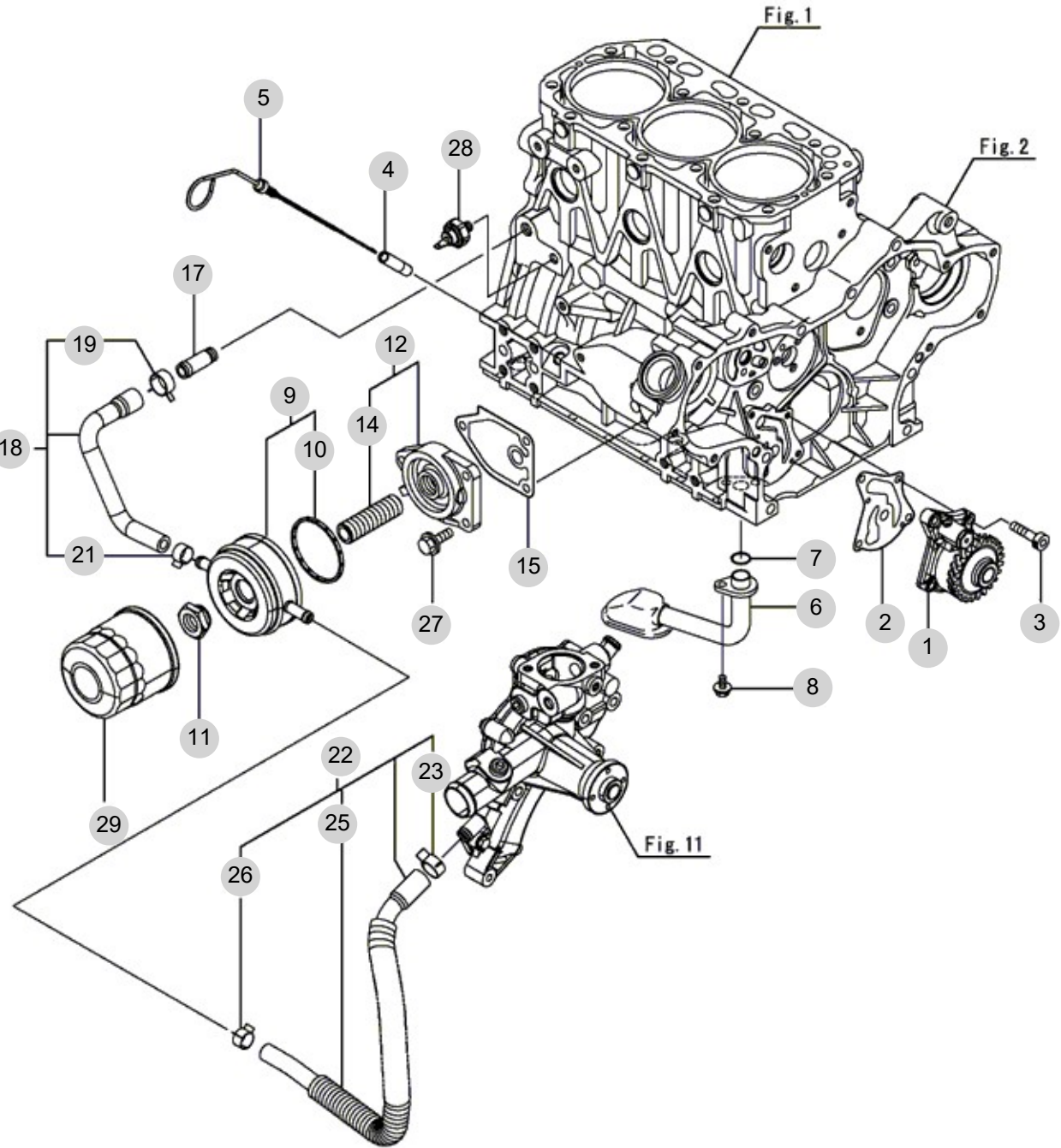
NOTE

FIG 110

LUB OIL SYSTEM

년/월
Year/Month

2022-12



NOTE

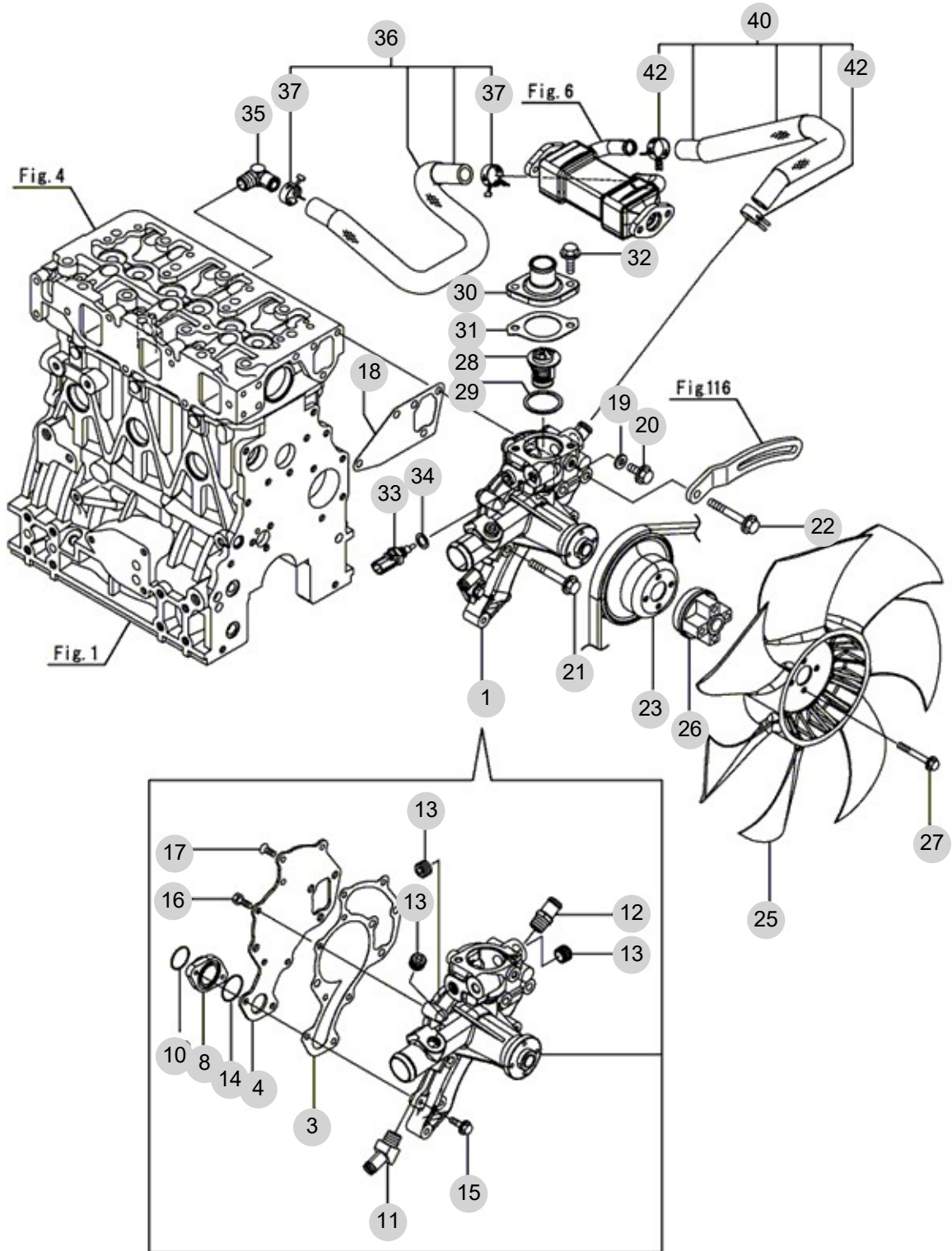
FIG 111

COOLING WATER SYSTEM

년/월
Year/Month

2022-12

T394NC



NOTE

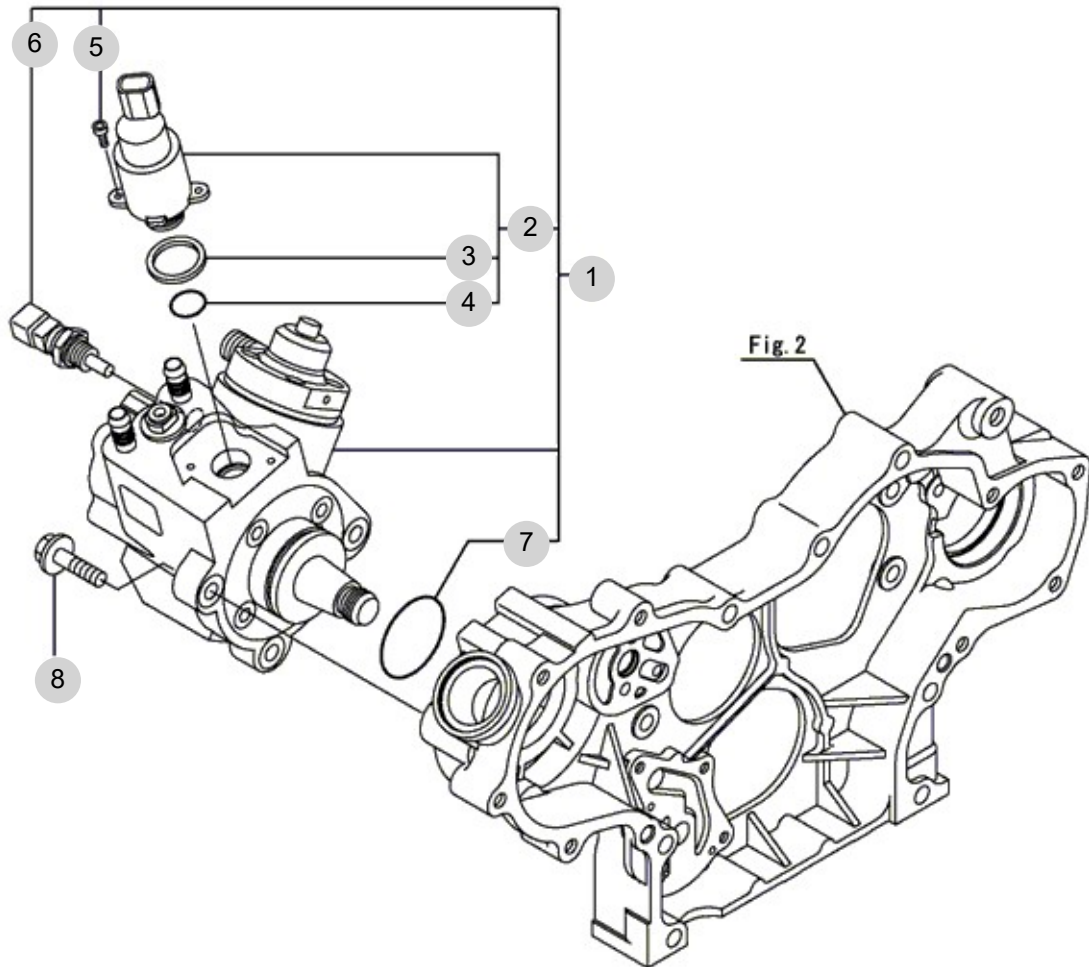
FIG 112

T394NC

FUEL SUPPLY PUMP

년/월
Year/Month

2022-12



NOTE

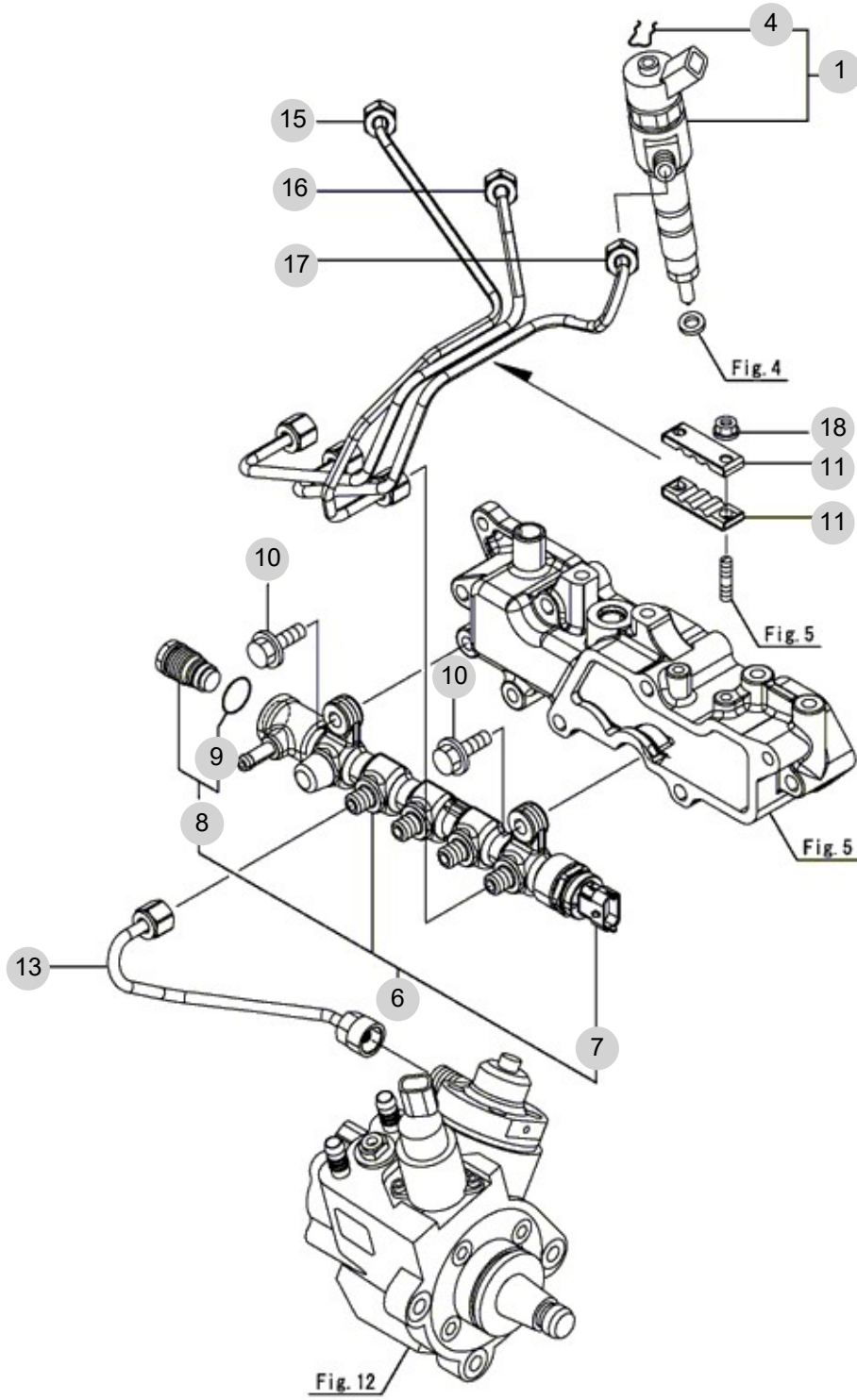
FIG 113

T394NC

FUEL INJECTION VALVE

년/월
Year/Month

2022-12



NOTE

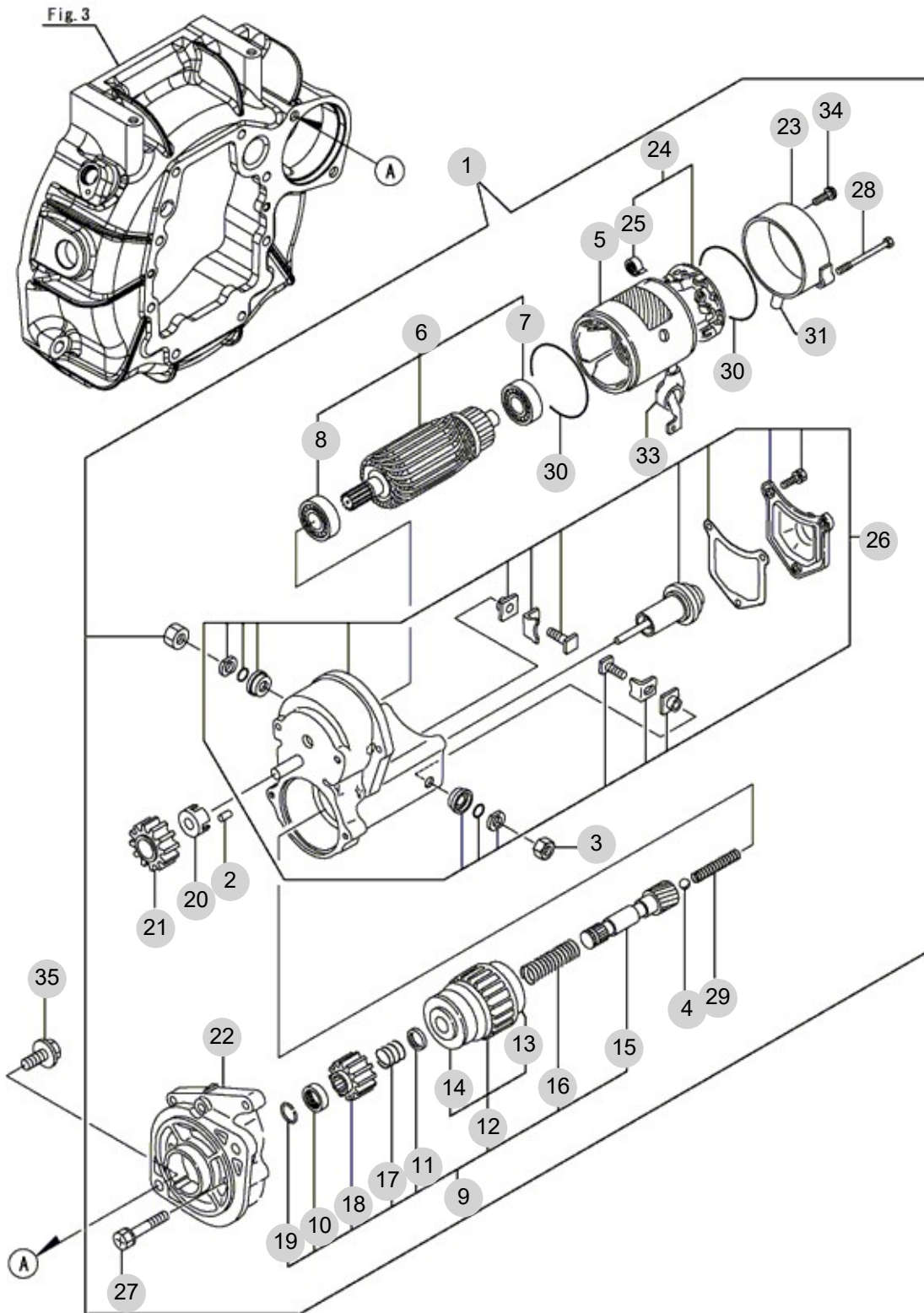
FIG 115

STARTER MOTOR

년/월
Year/Month

2022-12

T394NC



NOTE

FIG 115 T394NC	STARTER MOTOR					년/월 Year/Month
						2022-12

KEY NO	PART NO	DESCRIPTION	SPEC	QTY	REPAIR	EFFECTIVE DATE	REMARKS
115	1	129407-77010	STARTER, RA1.4	1			
115	2	X0283060061	ROLLER	5			
115	3	X9490561370	NUT	1			
115	4	X9491200240	BALL, STEEL	1			
115	5	129407-77210	YOKE ASSY	1			
115	6	129407-77220	ARMATURE ASSY	1			
115	7	129129-77230	BEARING, BALL	1			
115	8	129129-77240	BEARING, BALL	1			
115	9	129407-77250	STARTER ASSY	1			
115	10	X0280210230	NUT	1			
115	11	X0283270140	RETAINER	1			
115	12	129407-77390	CLUTCH ASSY	1			
115	13	129129-77440	BEARING, BALL	1			
115	14	129129-77450	BEARING, BALL	1			
115	15	129129-77400	SHAFT, STATER	1			
115	16	129129-77410	SPRING	1			
115	17	X9491703371	SPRING	1			
115	18	129129-77420	PINION, STARTER	1			
115	19	129129-77430	RING, SNAP	1			
115	20	129129-77260	RETAINER	1			
115	21	129129-77270	PINION	1			
115	22	129407-77280	HOUSING, STARTOR	1			
115	23	129407-77290	COVER	1			
115	24	129407-77300	HOLDER ASSY	1			
115	25	X9491730461	SPRING	4			
115	26	129407-77310	SWITCH ASSY,MAGNET	1			
115	27	129129-77320	BOLT	2			
115	28	129407-77330	BOLT	2			
115	29	129129-77340	SPRING	1			
115	30	129129-77350	O-RING	2			
115	31	129129-77362	COVER	1			
115	33	129129-77380	CAP	1			
115	34	129129-77460	SCREW	2			
115	35	26106-120252	BOLT, M12X 25 PLATED	2			
NOTE							

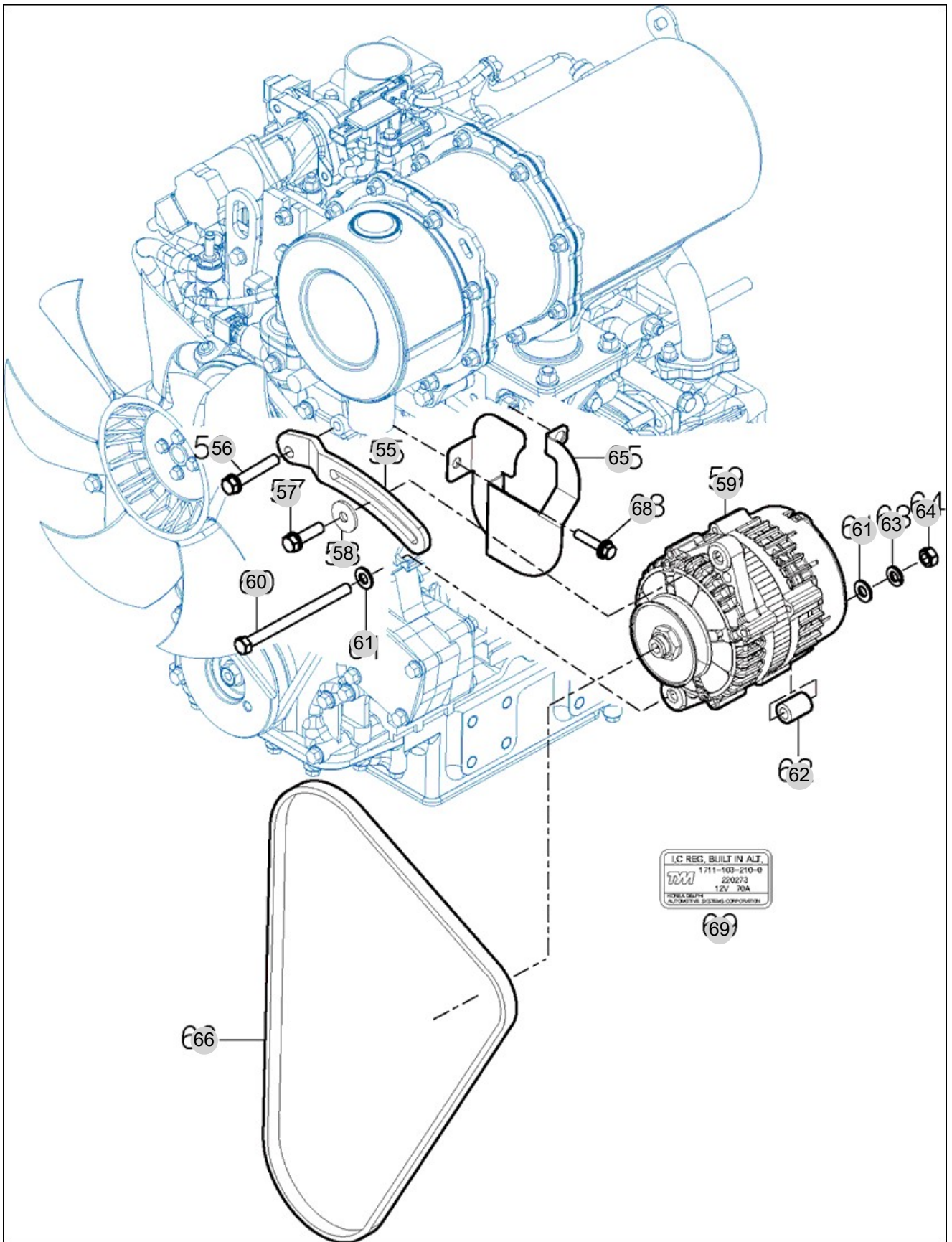
FIG 116

ALTERNATOR

년/월
Year/Month

T394NC

2022-12



NOTE

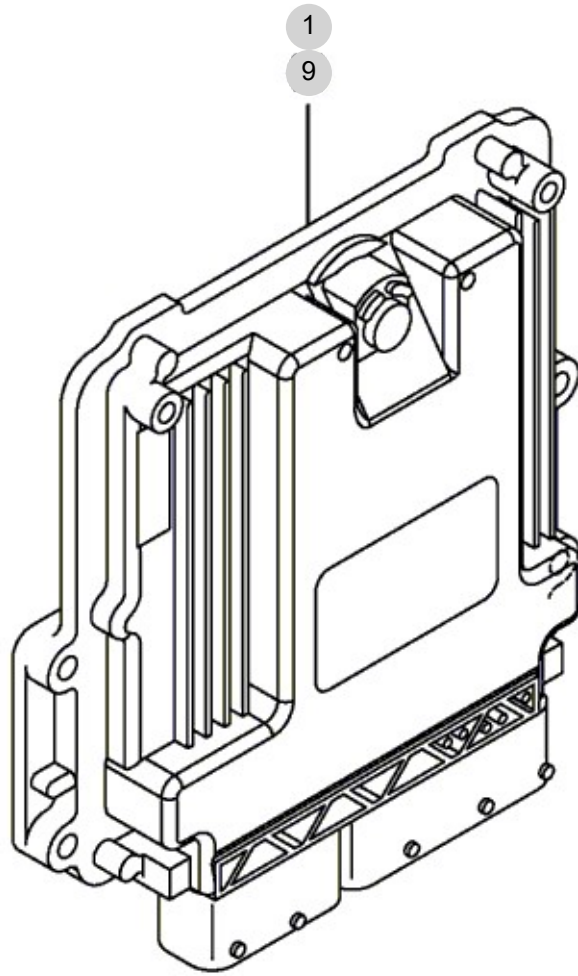
FIG 117

T394NC

ELECTRONIC CONTROL UNIT(ECU)

년/월
Year/Month

2022-12



NOTE

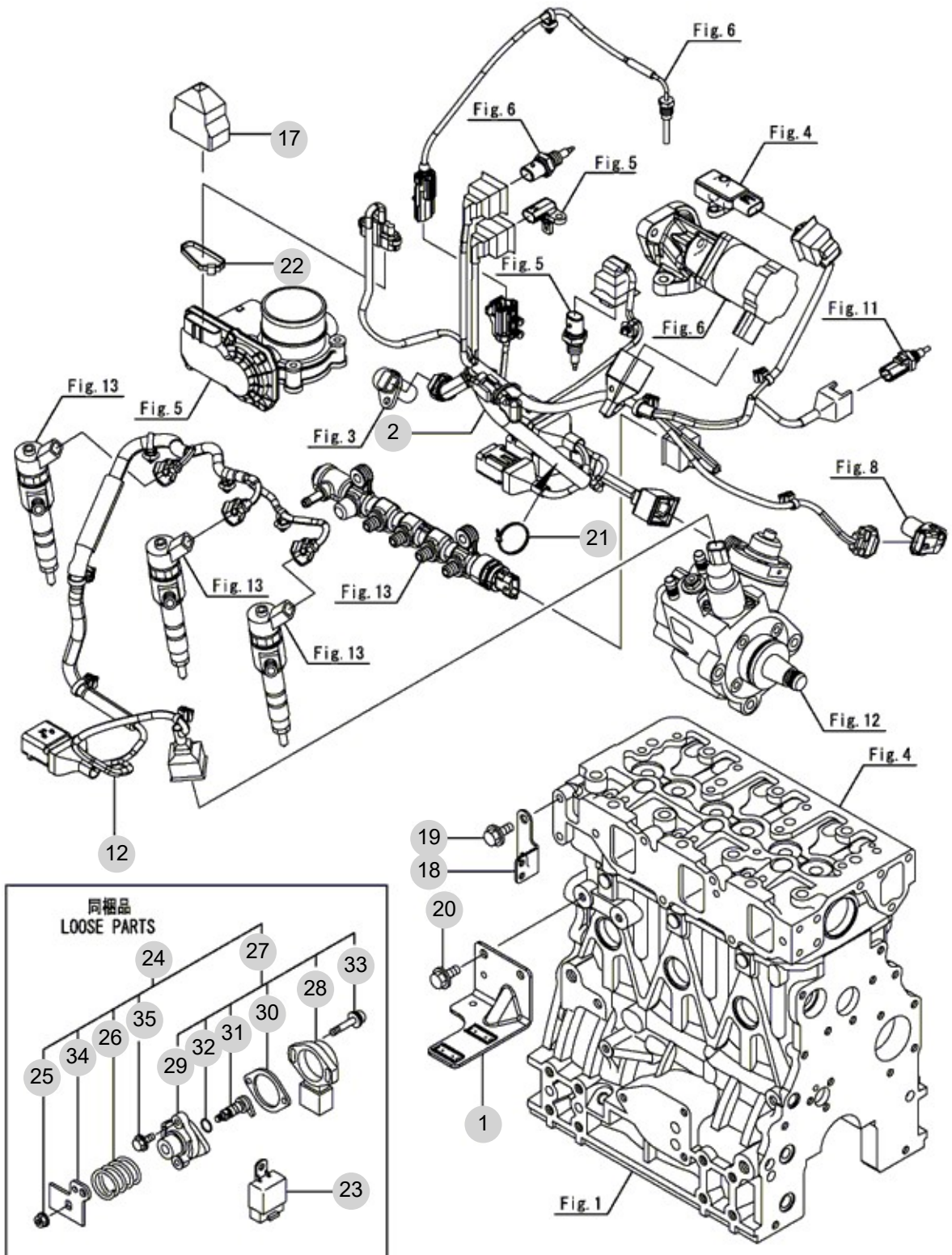
FIG 118

ELECTRIC PARTS

년/월
Year/Month

2022-12

T394NC



NOTE

2. Engine Accessories PART NO. T2

FIG 201 AIR CLEANER	52
FIG 202 RADIATOR	54
FIG 203 MUFFLER	56
FIG 204 FUEL TANK	58
FIG 205 ACCELERATOR	60

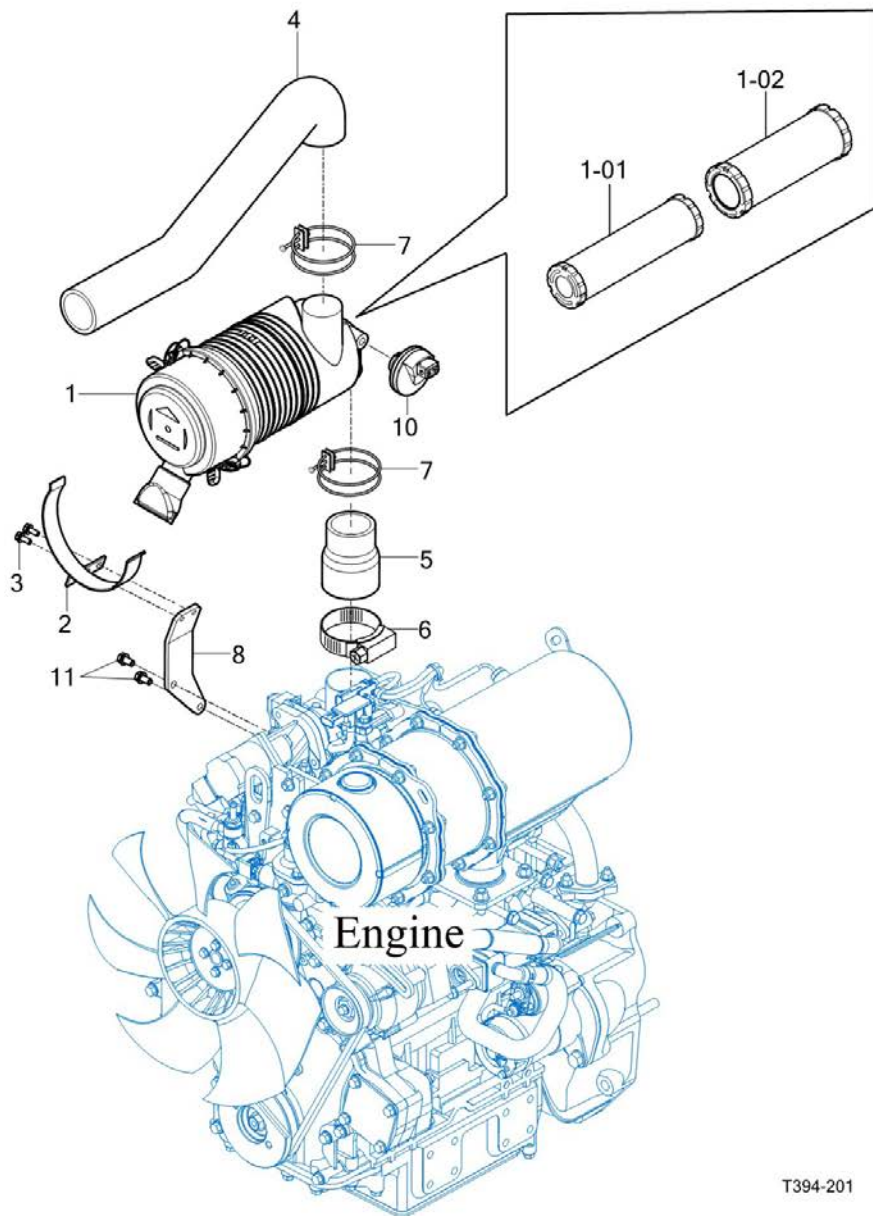
FIG 201

AIR CLEANER

년/월
Year/Month

2022-12

T394NC



T394-201

NOTE

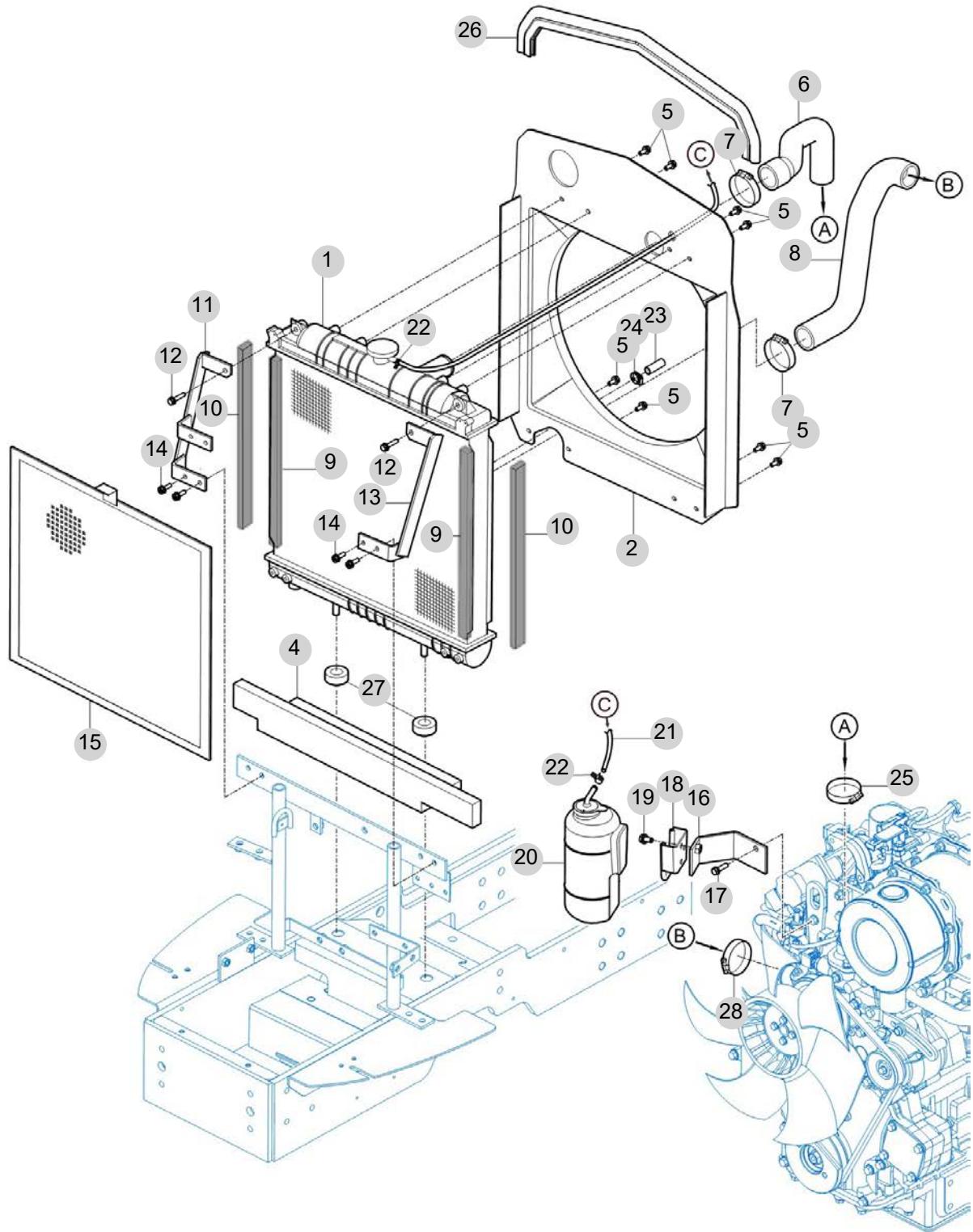
FIG 202

RADIATOR

년/월
Year/Month

2022-12

T394NC



NOTE

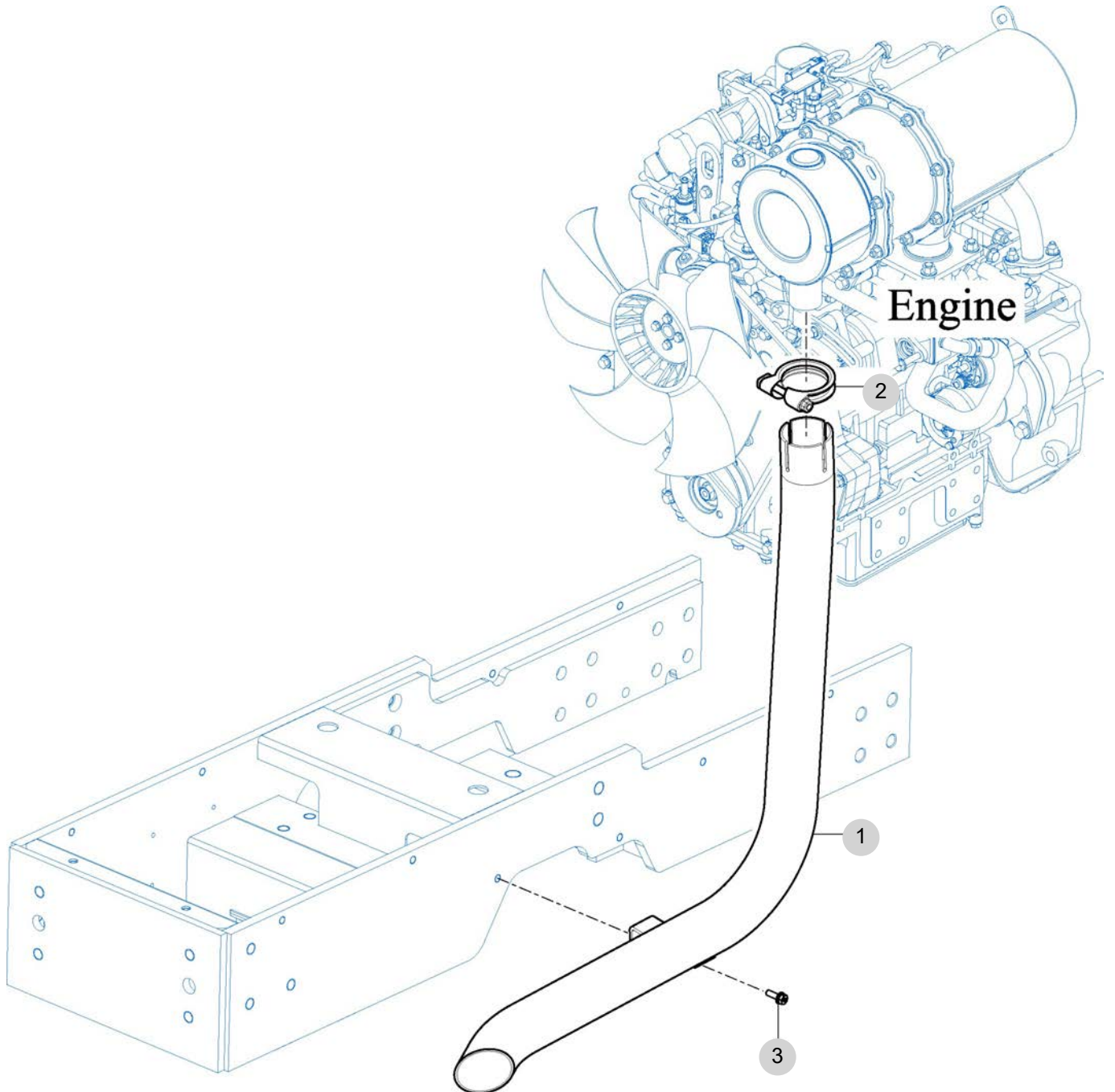
FIG 203

MUFFLER

년/월
Year/Month

T394NC

2022-12



NOTE

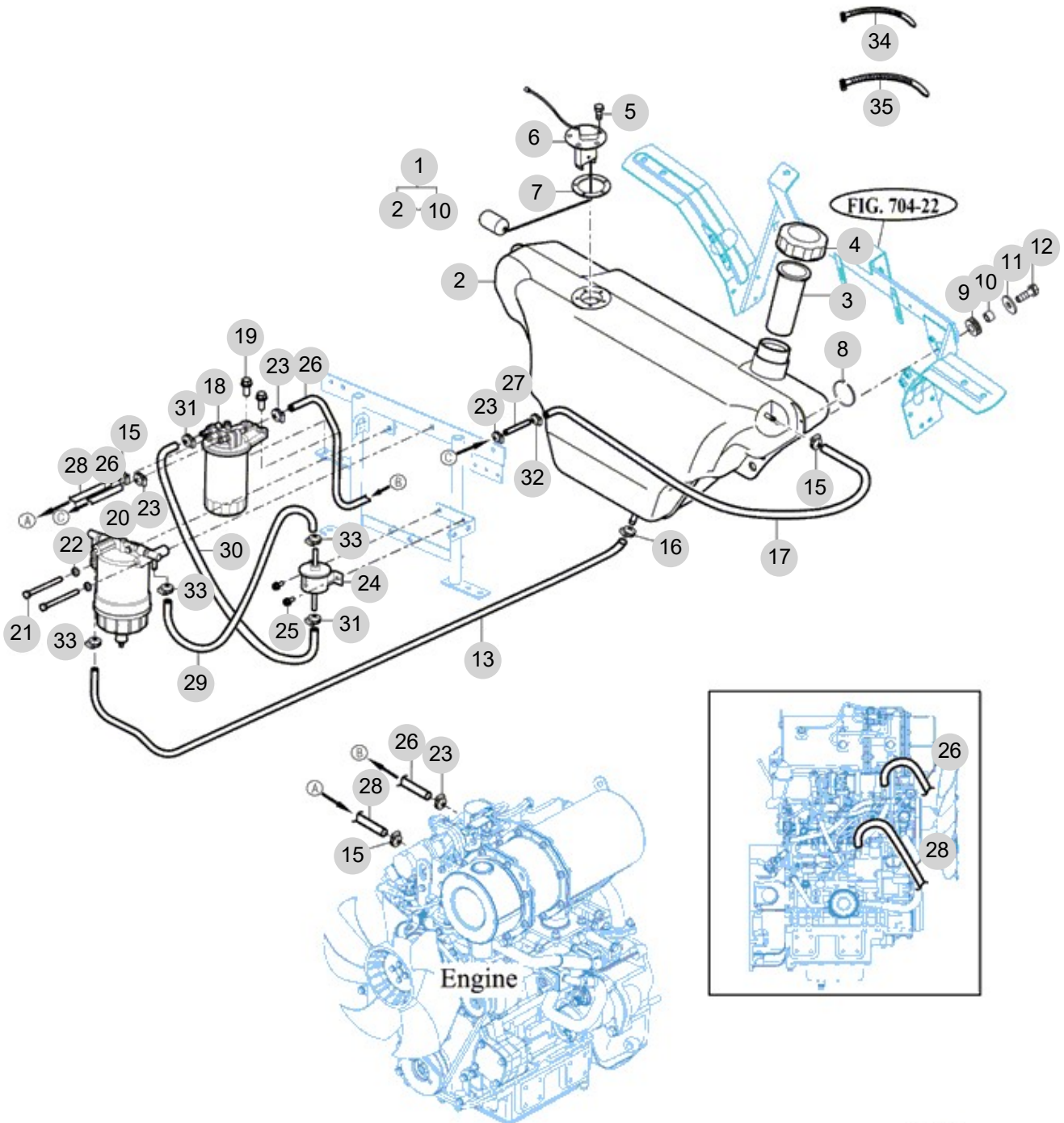
FIG 204

FUEL TANK

년/월
Year/Month

2022-12

T394NC



T394-E-204

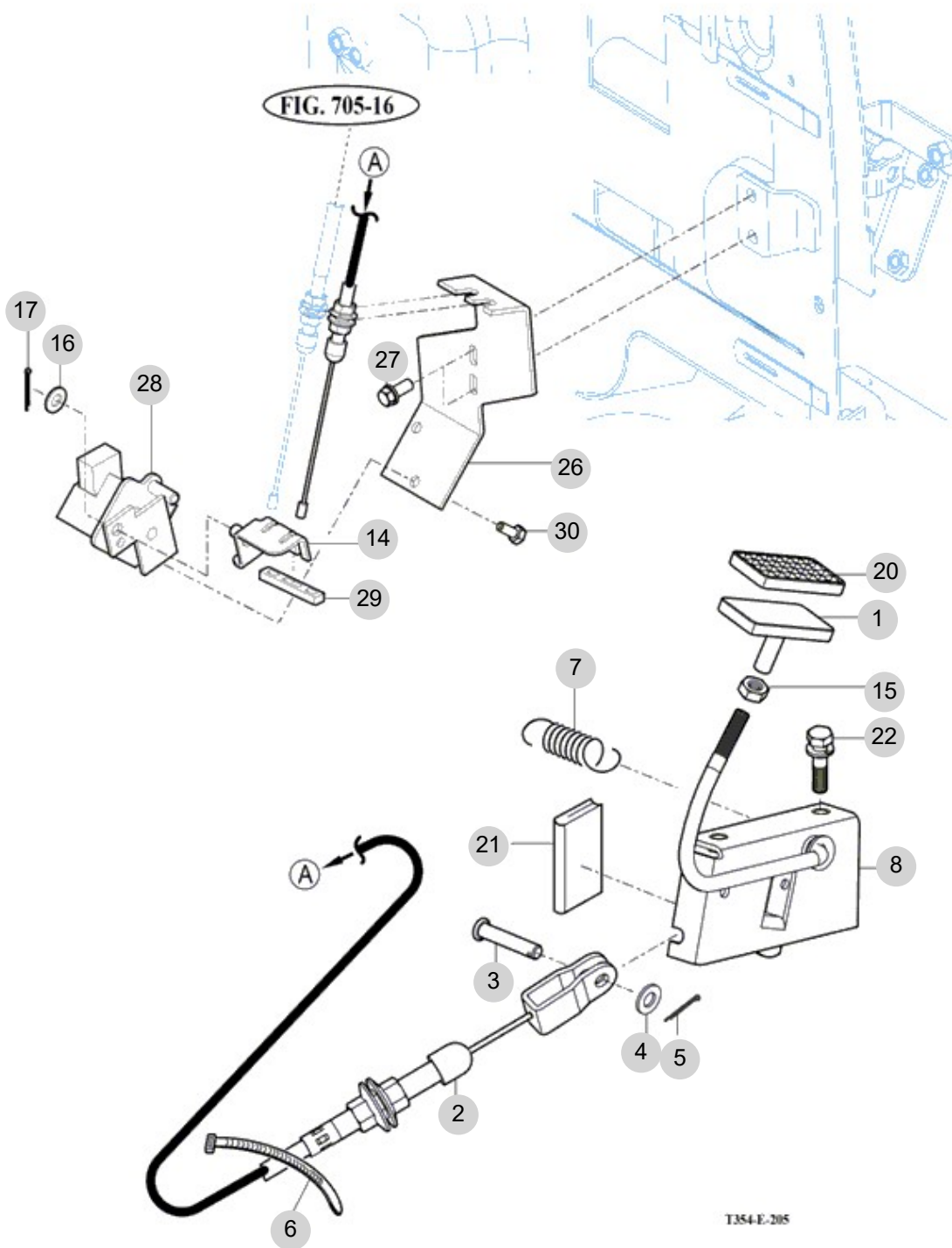
NOTE

FIG 205

ACCELERATOR

년/월
Year/Month

2022-12



NOTE

3. Clutch/Brake/Steering PART NO. T3

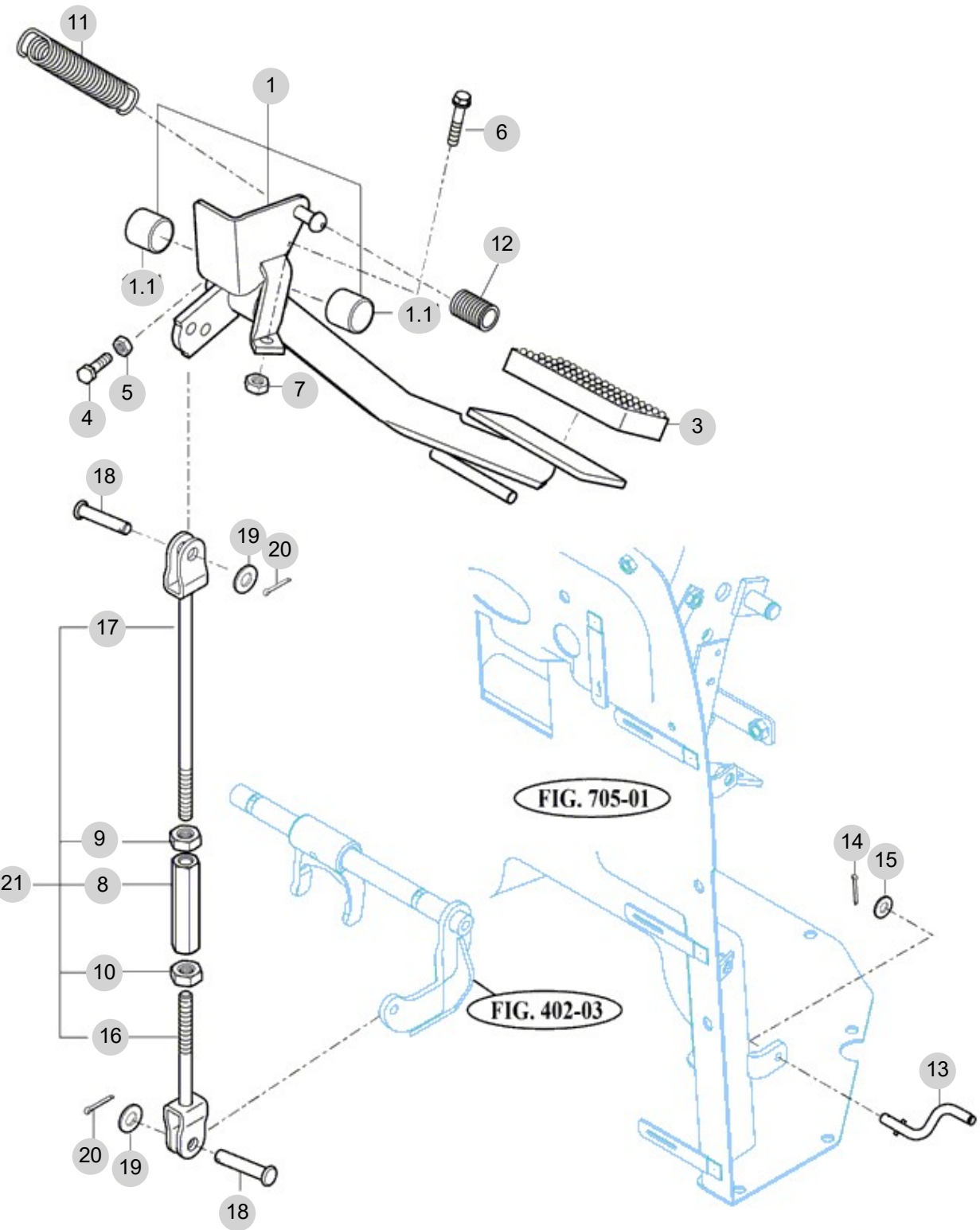
FIG 301 CLUTCH PEDAL	63
FIG 302 FLYWHEEL & CLUTCH	65
FIG 303 BRAKE PEDAL	67
FIG 304 BRAKE	69
FIG 306 FRONT WHEEL MOUNTING	71
FIG 307 REAR WHEEL MOUNTING	73
FIG 308 STEERING WHEEL	75
FIG 309 STEERING VALVE & TILT	77
FIG 310 STEERING CYLINDER	79

FIG 301

CLUTCH PEDAL

년/월
Year/Month

2022-12



T303/353NC-E-301

NOTE

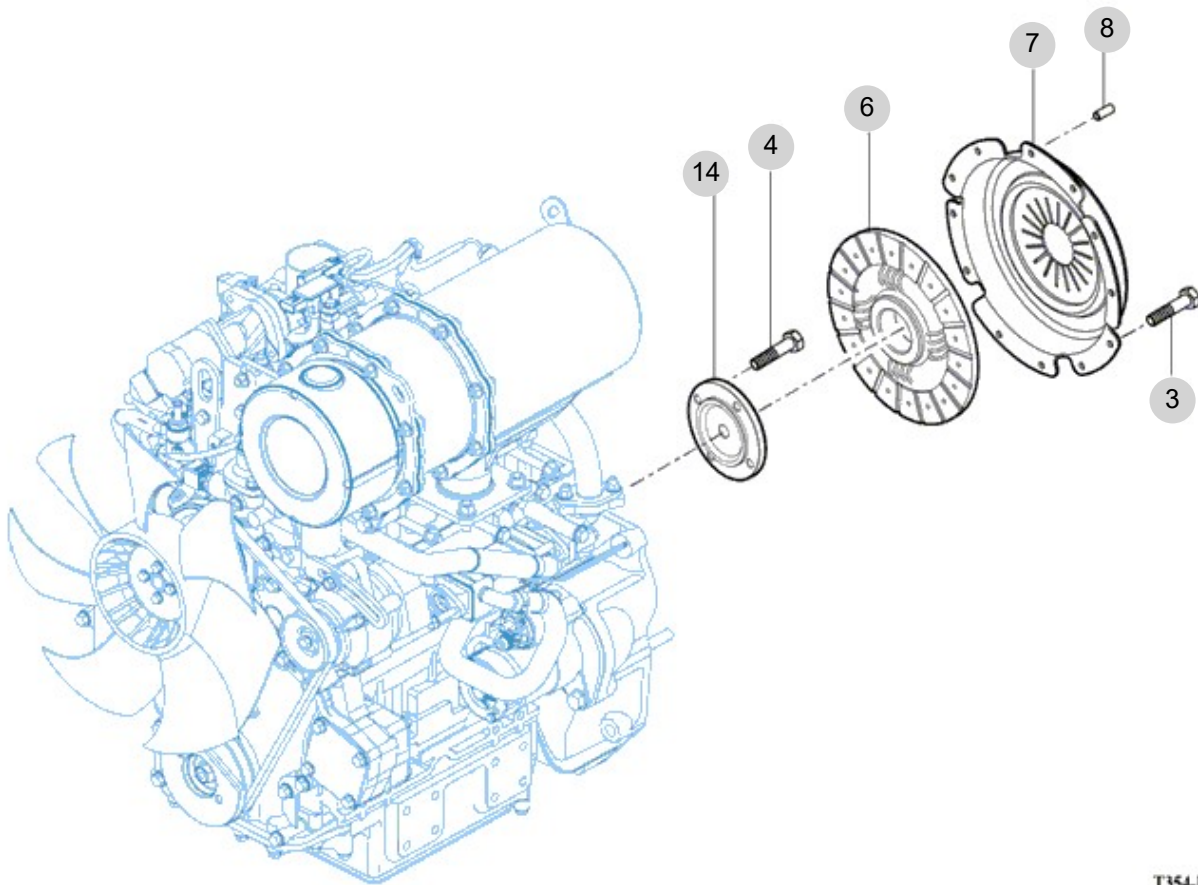
FIG 302

T394NC

FLYWHEEL & CLUTCH

년/월
Year/Month

2022-12



T354-E-302

NOTE

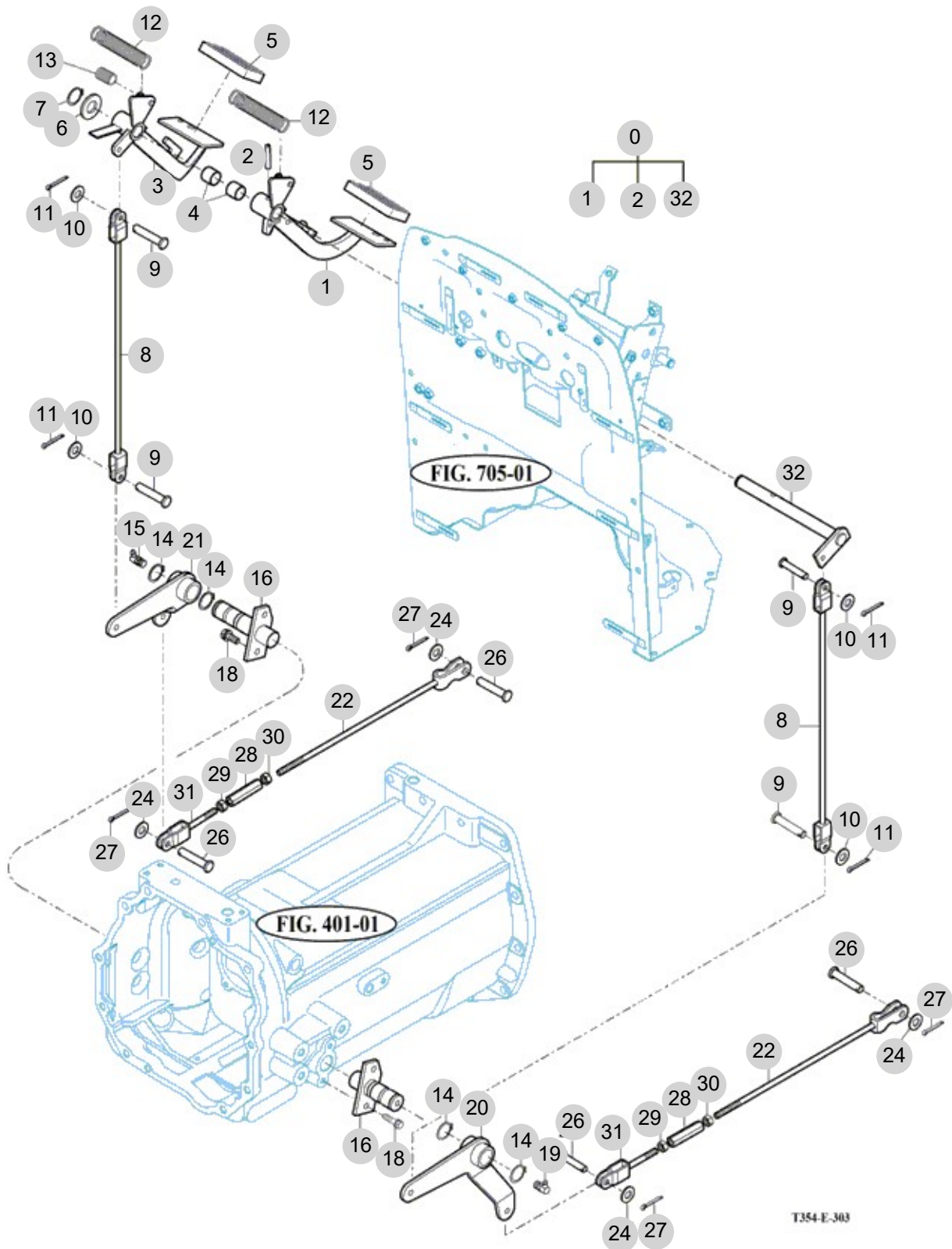
FIG 303

T394NC

BRAKE PEDAL

년/월
Year/Month

2022-12



NOTE

FIG 303 T394NC	BRAKE PEDAL					년/월 Year/Month
						2022-12

KEY NO	PART NO	DESCRIPTION	SPEC	QTY	REPAIR	EFFECTIVE DATE	REMARKS
303	0	17403292000GB	PEDAL SET , LH		1		
303	1	17403292200	PEDAL COMP , LH BRAKE		1		
303	2	V5111006036	PIN , TAPER SPLIT		1		
303	3	17403292300GB	PEDAL COMP , RH BRAKE		1		
303	4	36707030080	BUSH , 20X23X20		2		
303	5	15241220010	PAD		2		
303	6	V4111600200	WASHER , PLAIN	M20	1		
303	7	V7041400200	C-RING , SHAFT	20	1		
303	8	16703292501	ROD COMP , HOOK 504		2		
303	8	16703292501GB	ROD COMP , HOOK 504		1		
303	9	14322420010	PIN		4		
303	10	V4111600080	WASHER , PLAIN	M8	4		
303	11	V5001925020	PIN D2.5x20	2.5X20	4		
303	12	14041200080	RETURN SPRING , CLUTCH		2		
303	13	15601320011	TUBE , CORRUGATE 015		2		
303	14	V7041400250	C-RING , SHAFT	25	4		
303	15	V7631500000	NIPPLE , GREASE/B-PT	B-PT1/8	1		
303	16	14573283101	PIN COMP , 87		2		
303	18	V2173608020	BOLT , HEX/S	M8X20	4		
303	19	V7641500000	NIPPLE , GREASE/C-PT	C-PT1/8	1		
303	20	16703283302GB	ARM COMP , LH BRAKE		1		
303	21	16703283402GB	ARM COMP , RH BRAKE		1		
303	22	16703282302	ROD COMP , HOOK 644		2		
303	24	V4111600100	WASHER , PLAIN	M10	4		
303	26	14043120060	PIN , YOKE		4		
303	27	V5001920020	PIN , SPLIT	2X20	4		
303	28	16601220020	TURNBUCKLE , M8 L60		2		
303	29	V3043600080	NUT , HEX/2	M8	2		
303	30	15601320073	NUT , HEX LH		2		
303	31	14573282200	ROD COMP , FORK 100		2		
303	32	14573292101	ARM , BRAKE		1		

NOTE

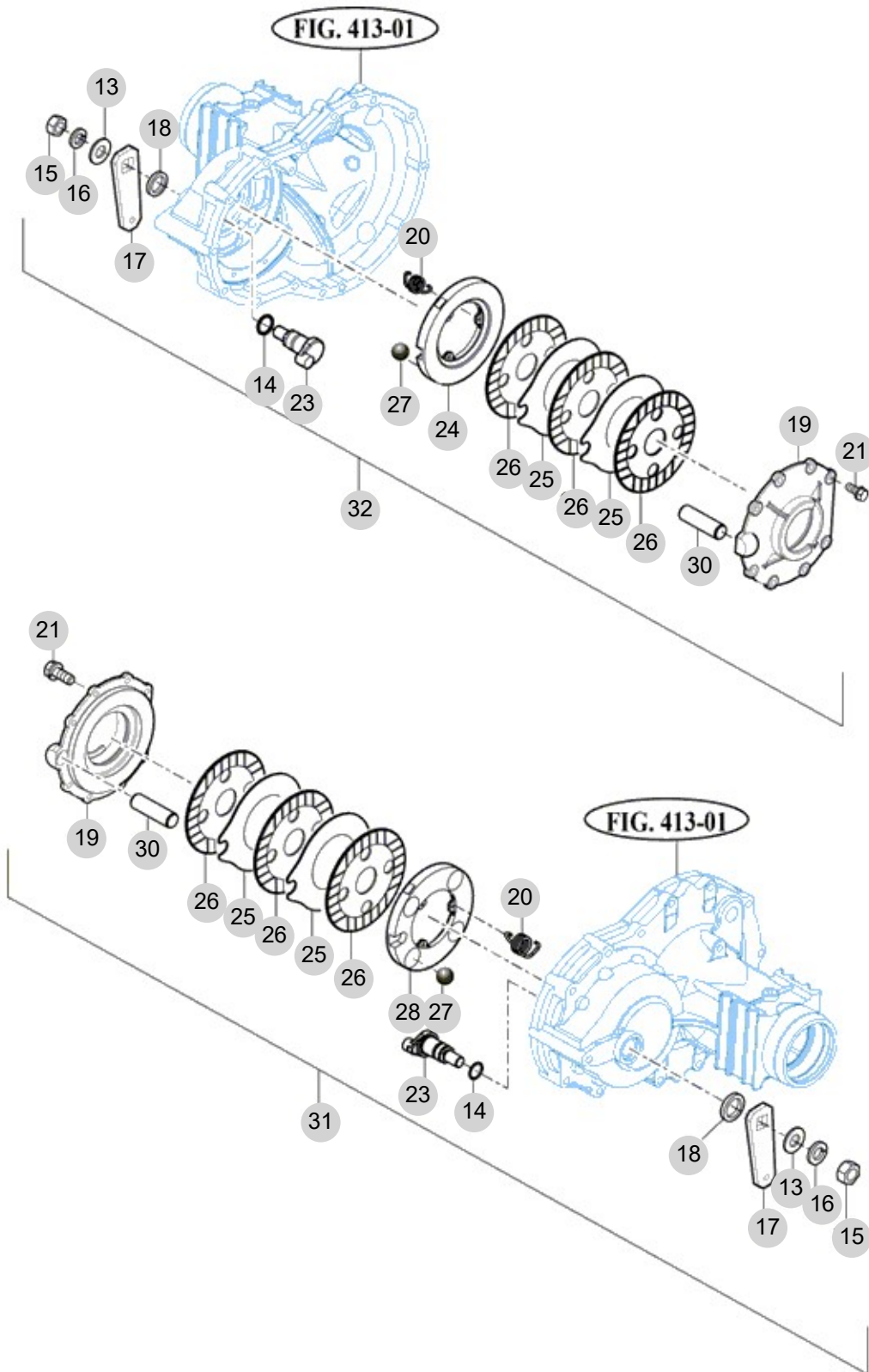
FIG 304

BRAKE

년/월
Year/Month

2022-12

T394NC



NOTE

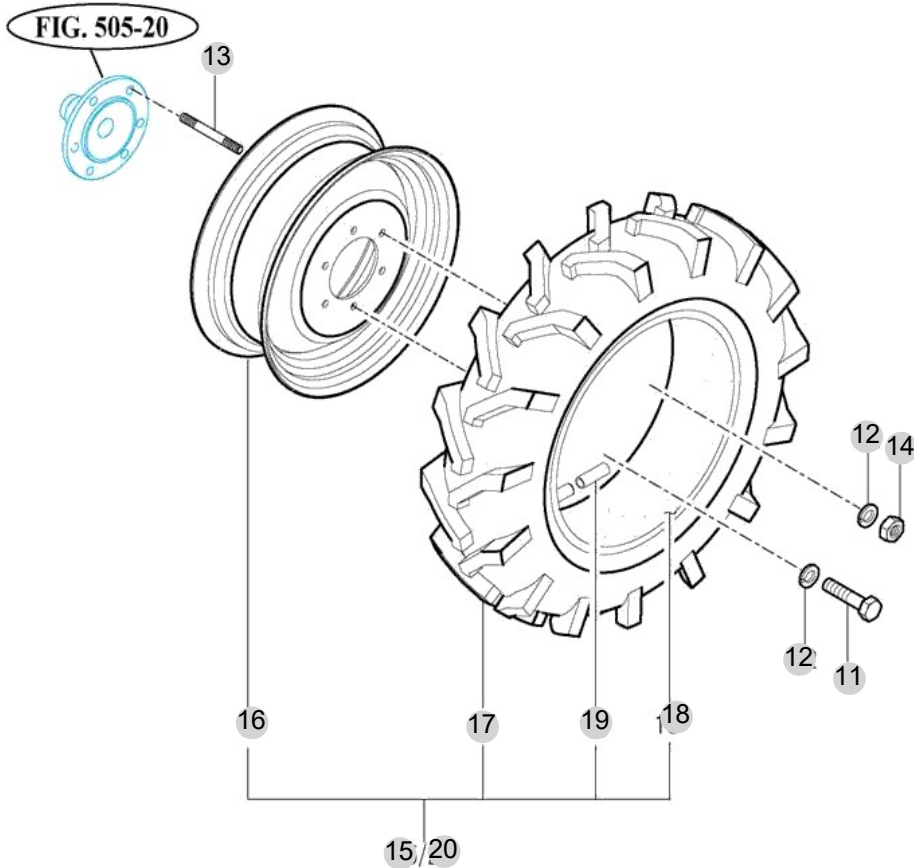
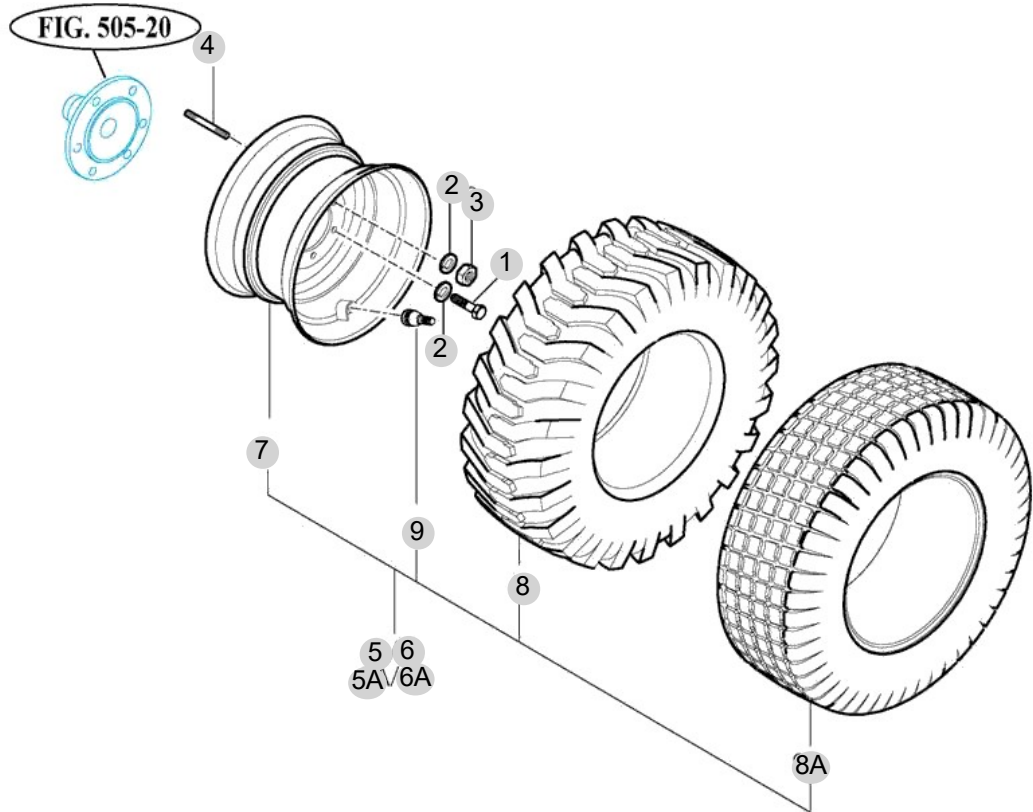
FIG 306

FRONT WHEEL MOUNTING

년/월
Year/Month

2022-12

T394NC



T394-E-306

NOTE

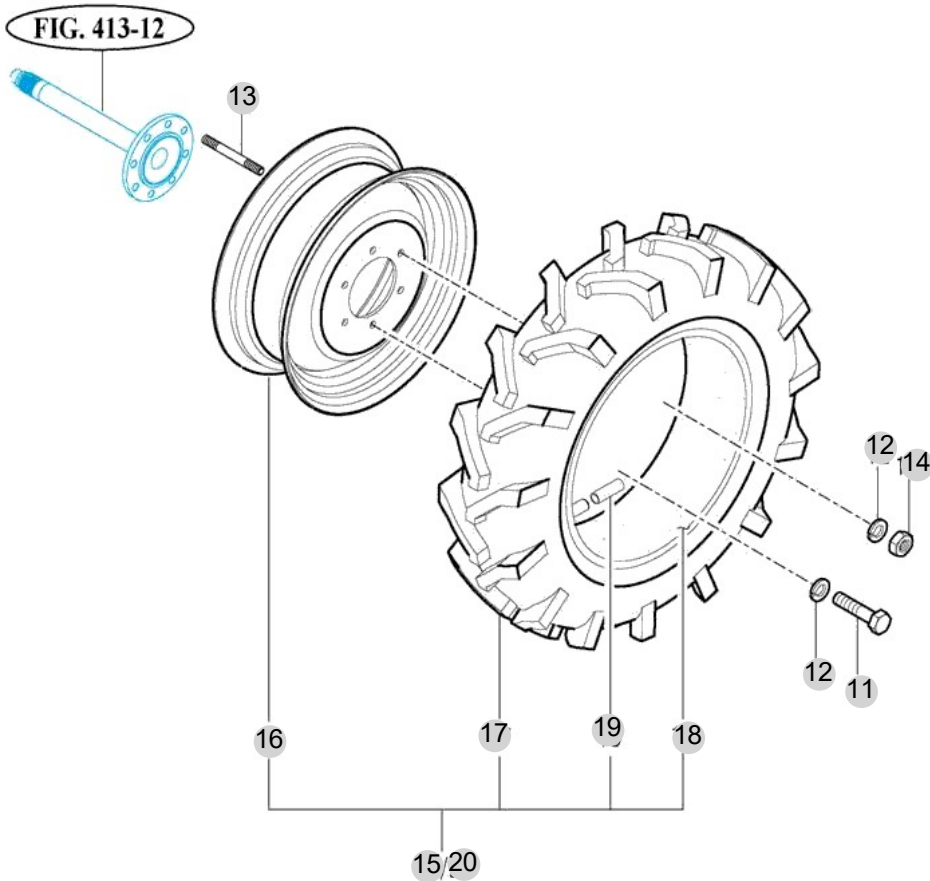
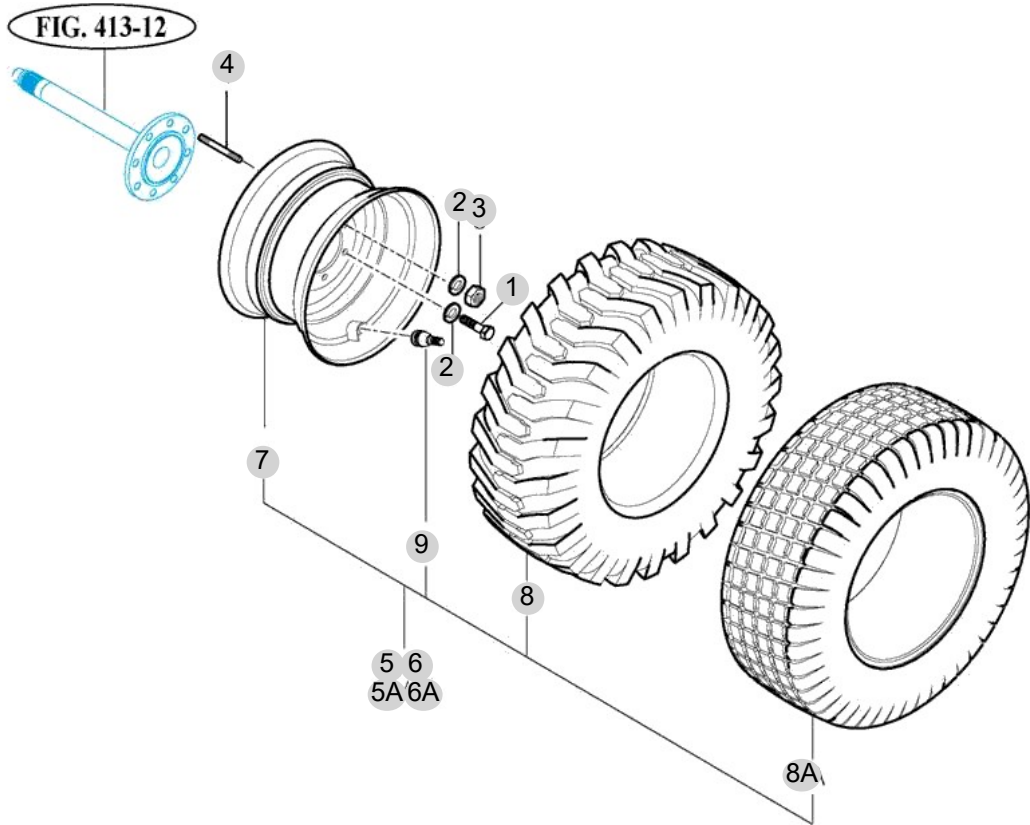
FIG 307

REAR WHEEL MOUNTING

년/월
Year/Month

2022-12

T394NC



T394-E-307

NOTE

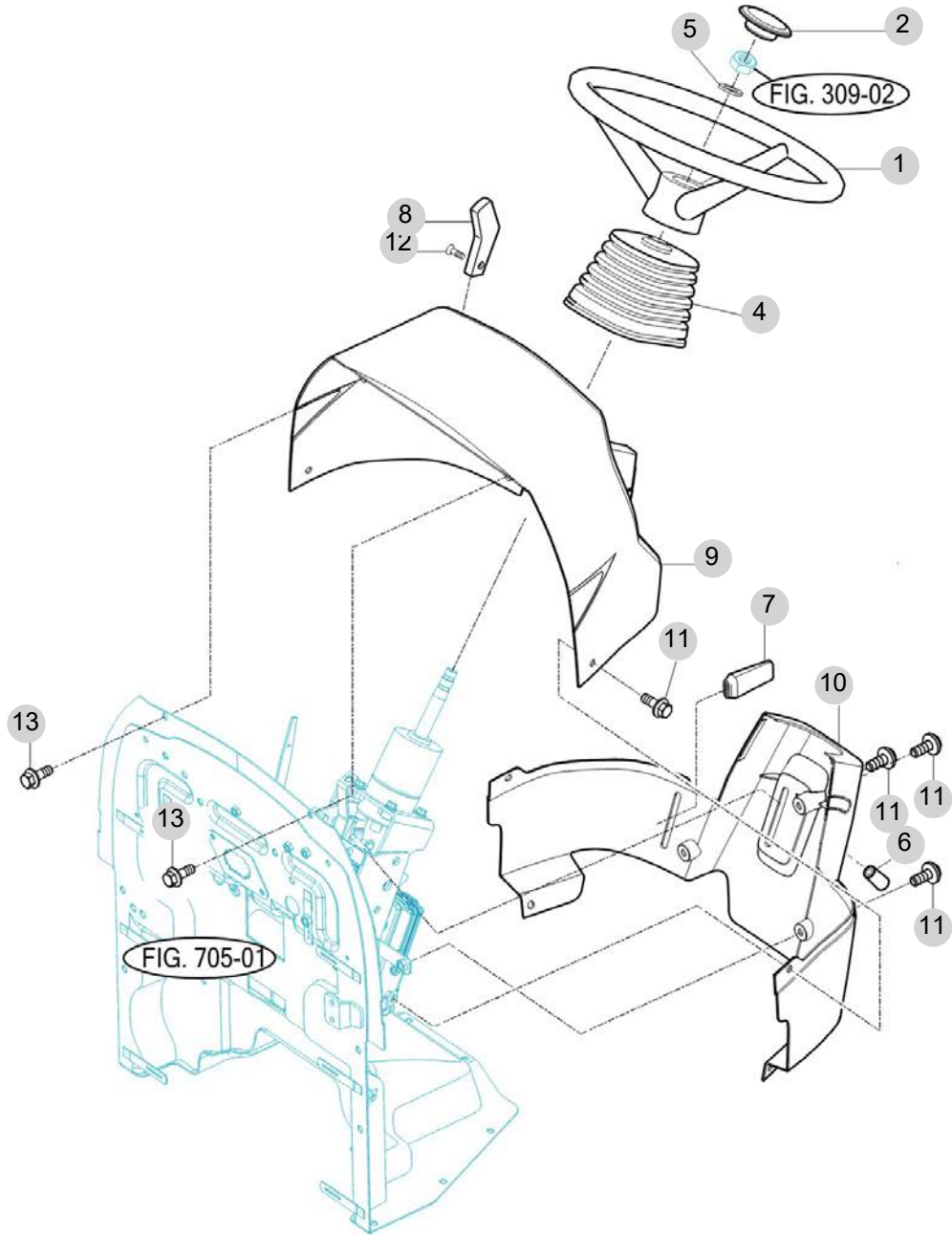
FIG 308

T394NC

STEERING WHEEL

년/월
Year/Month

2022-12



T354-E-308

NOTE

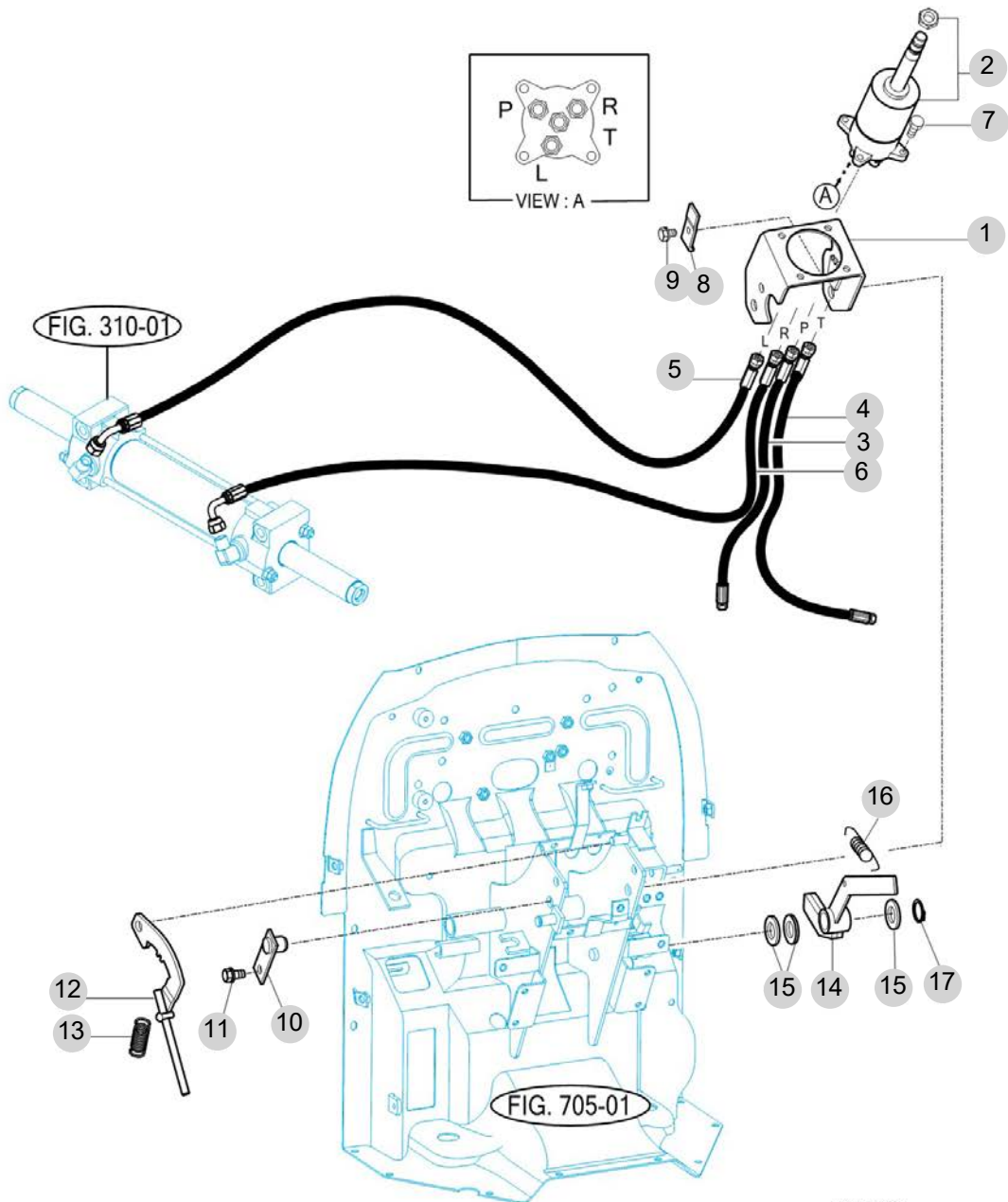
FIG 309

T394NC

STEERING VALVE & TILT

년/월
Year/Month

2022-12



NOTE

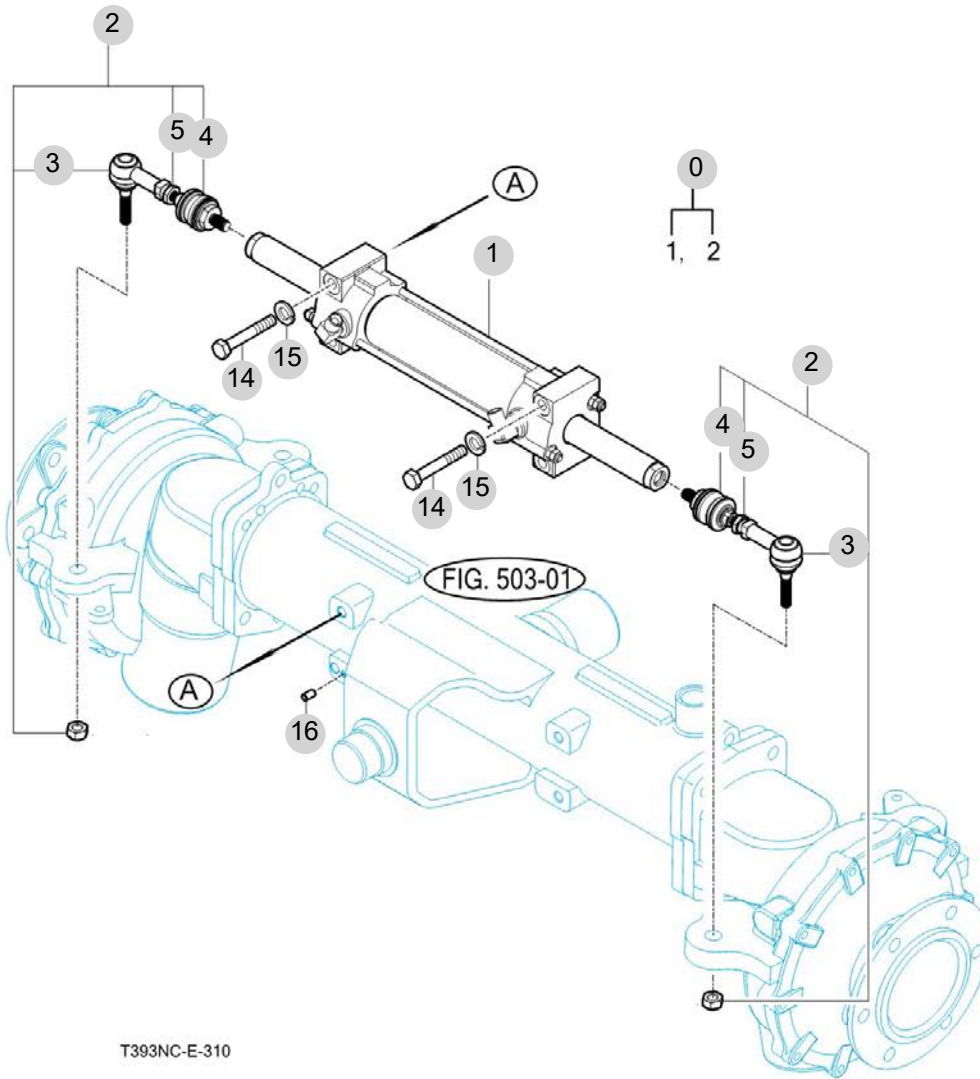
FIG 310

T394NC

STEERING CYLINDER

년/월
Year/Month

2022-12



NOTE

FIG 310 T394NC		STEERING CYLINDER						년/월 Year/Month	
								2022-12	
		KEY NO	PART NO	DESCRIPTION	SPEC	QTY	REPAIR	EFFECTIVE DATE	REMARKS
310	0	14944055001							
310	0	13864075000	CYLINDER ASSY						
310	1	14524070081	CYLINDER COMP						
310	2	16704074104	SET , BALL JOINT						
310	3	16704363202	JOINT ASSY , BALL						
310	4	13154063201	SOCKET ASSY , BALL						
310	5	V3343600160	NUT , HEX FINE/2	M16					
310	14	V2024612085	BOLT , HEX FINE	M12X85					
310	15	V4011600120	WASHER , SPRING	M12					
310	16	V5201010020	PIN , PARALLEL/A						
NOTE									

4. Transmission PART NO. T4

FIG 401 TRANSMISSION FRONT CASE	82
FIG 402 INPUT METAL	84
FIG 403 INPUT GEAR	86
FIG 404 4WD DRIVE GEAR	88
FIG 405 MAIN CHANGE GEARS & REVERSE GEARS	90
FIG 406 SUB CHANGE GEARS	92
FIG 407 PINION GEARS	94
FIG 408 P T O DRIVE SHAFT	96
FIG 409 P T O CHANGE GEARS	98
FIG 410 DIFF LOCK	100
FIG 411 TRANSMISSION REAR CASE	102
FIG 412 REAR AXLE HOUSINGS (1)	104
FIG 413 REAR AXLE HOUSINGS (2)	106
FIG 414 MAIN CHANGE LEVER	108
FIG 415 SUB CHANGE LEVER	110
FIG 416 REVERSE LINK	112
FIG 417 REVERSE CHANGE LEVER	114
FIG 418 4WD CHANGE LEVER	116

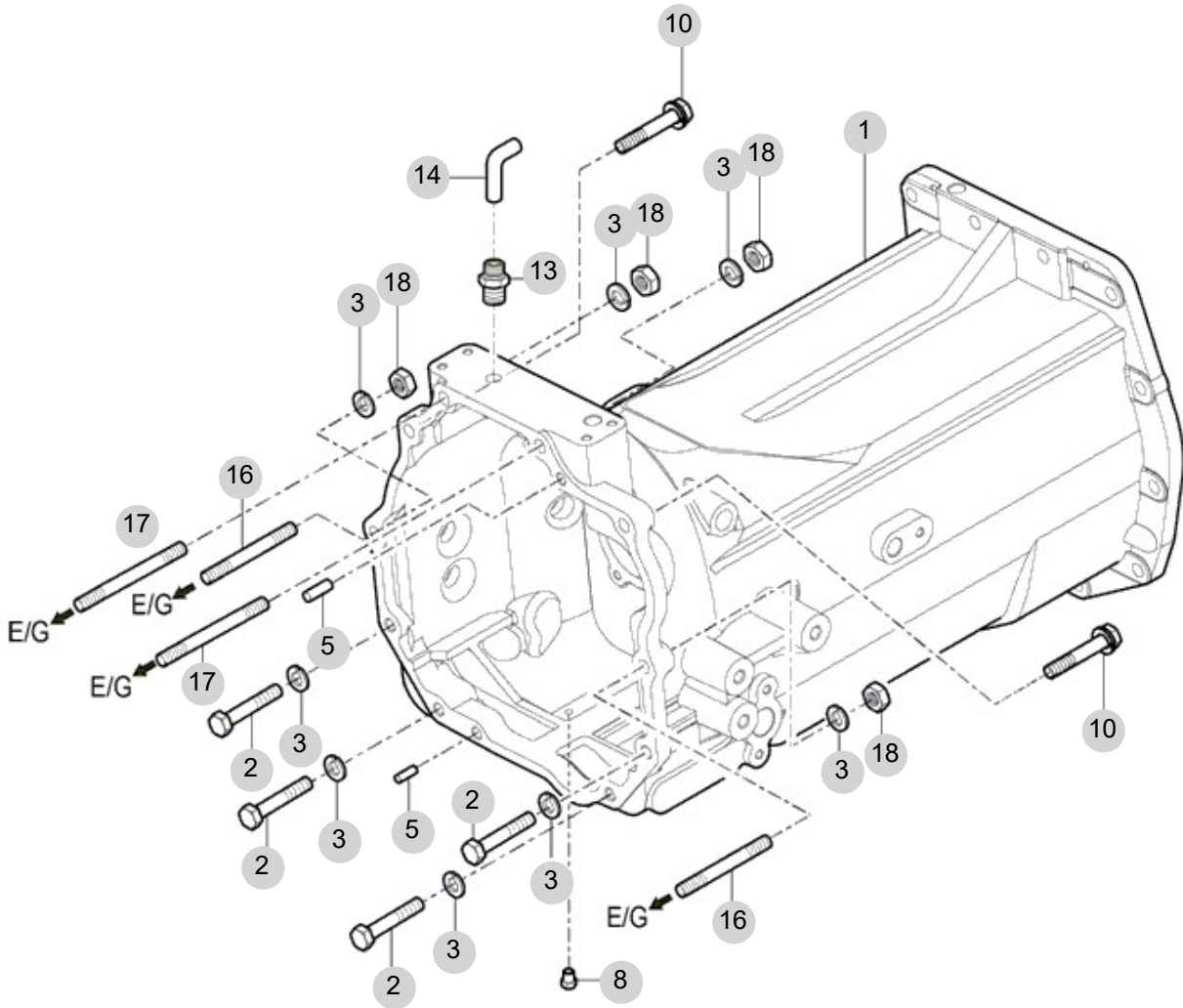
FIG 401

T394NC

TRANSMISSION FRONT CASE

년/월
Year/Month

2022-12



T345-E-401

NOTE

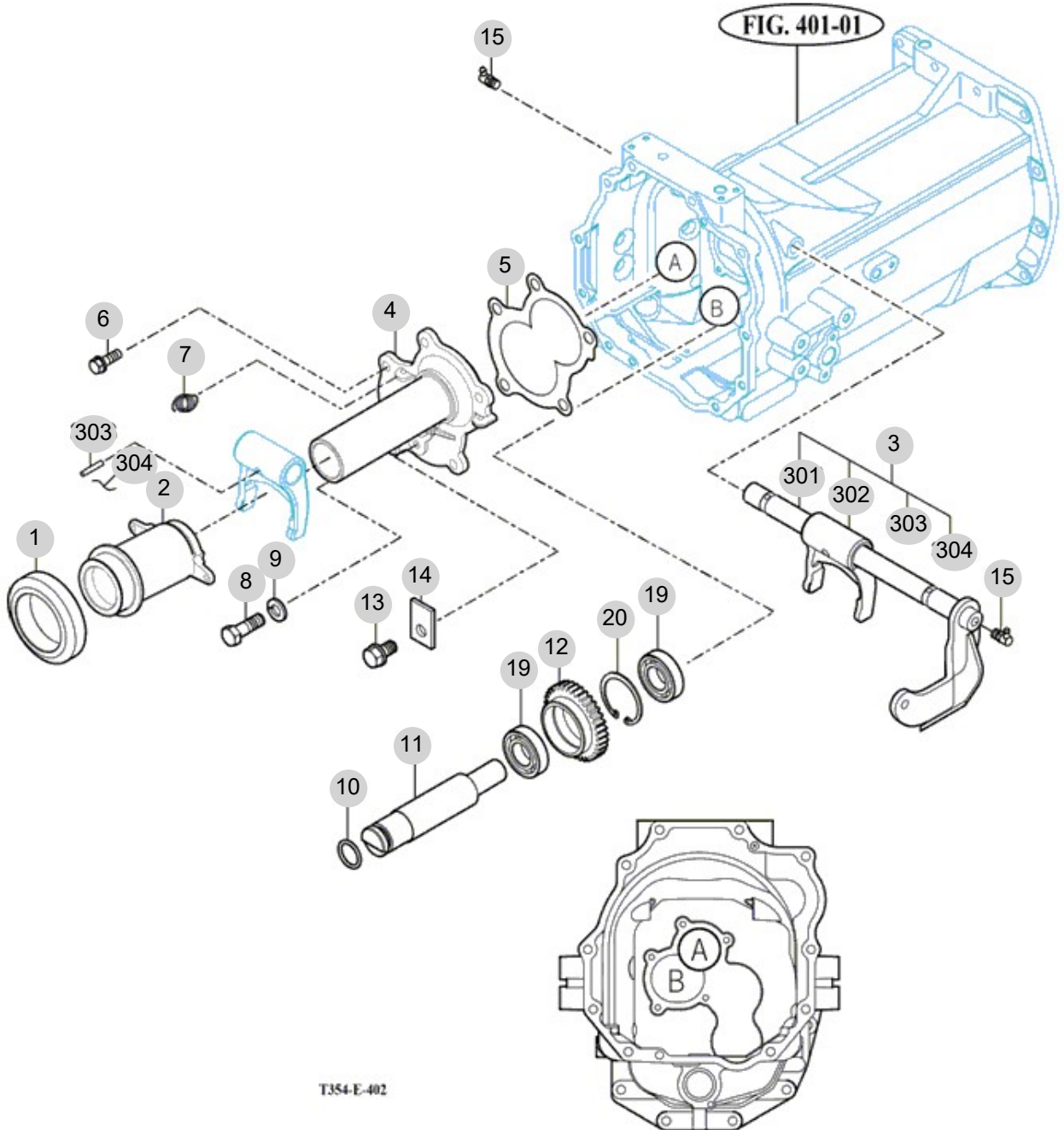
FIG 402

T394NC

INPUT METAL

년/월
Year/Month

2022-12



NOTE

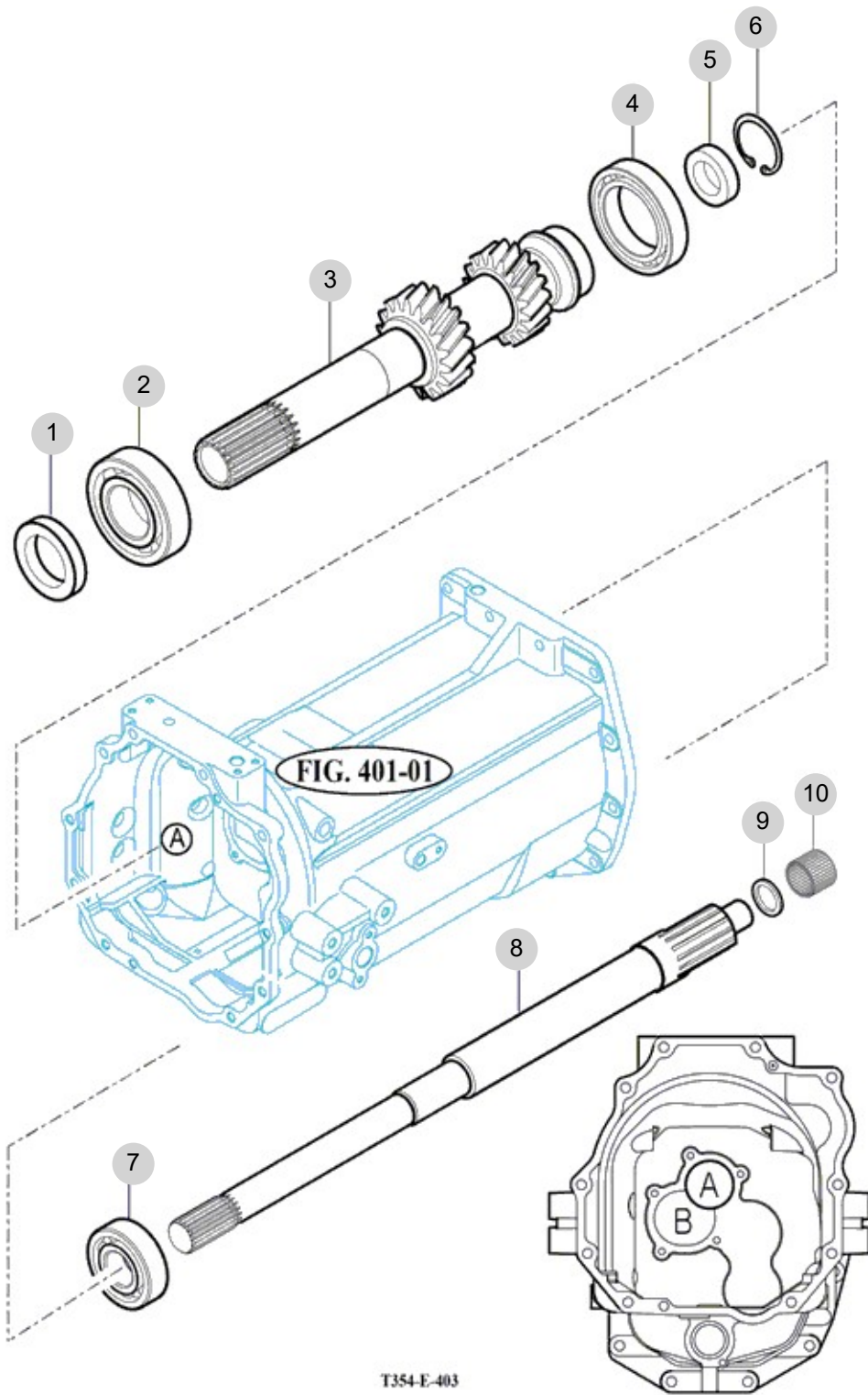
FIG 403

T394NC

INPUT GEAR

년/월
Year/Month

2022-12



NOTE

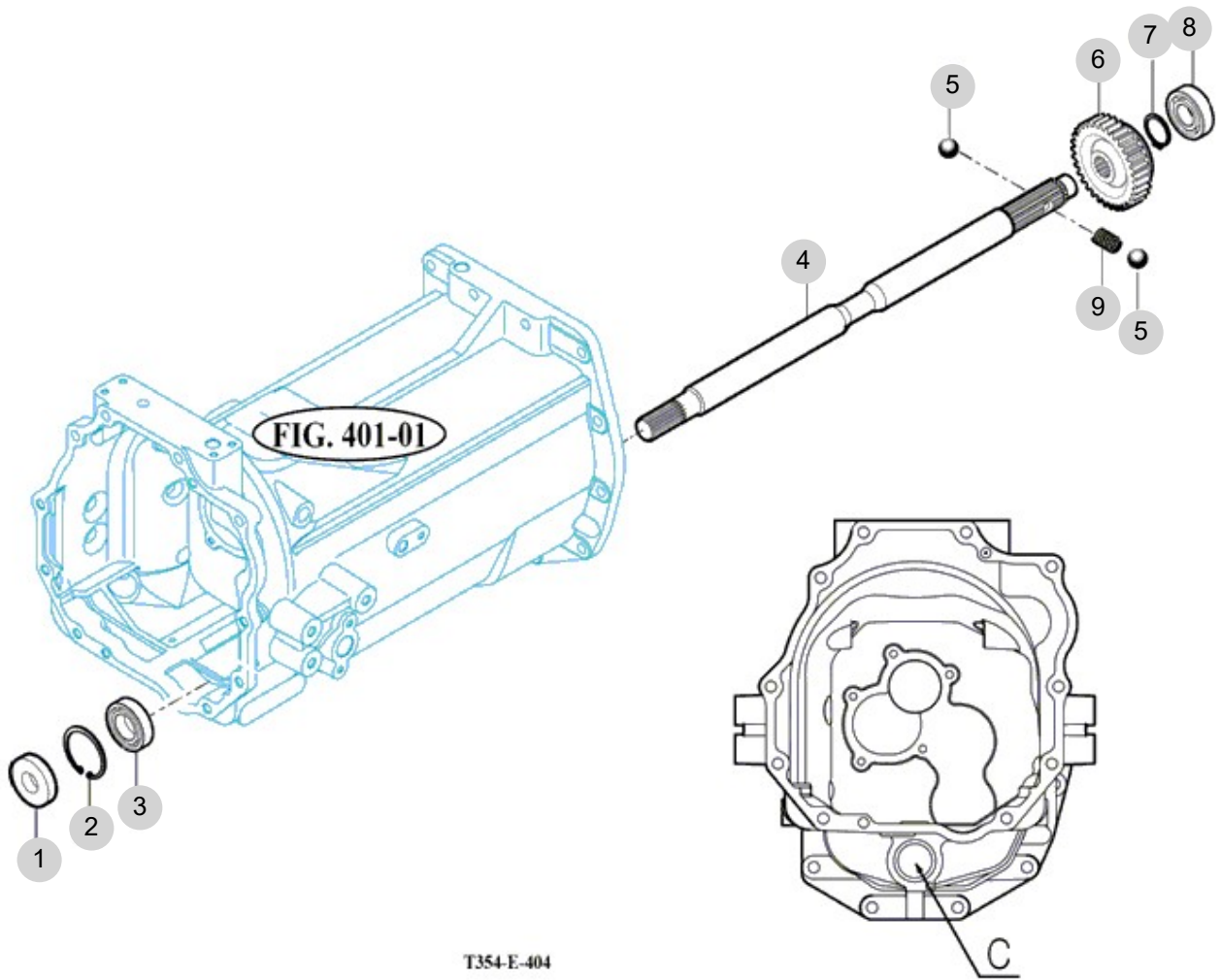
FIG 404

4WD DRIVE GEAR

년/월
Year/Month

T394NC

2022-12



T354-E-404

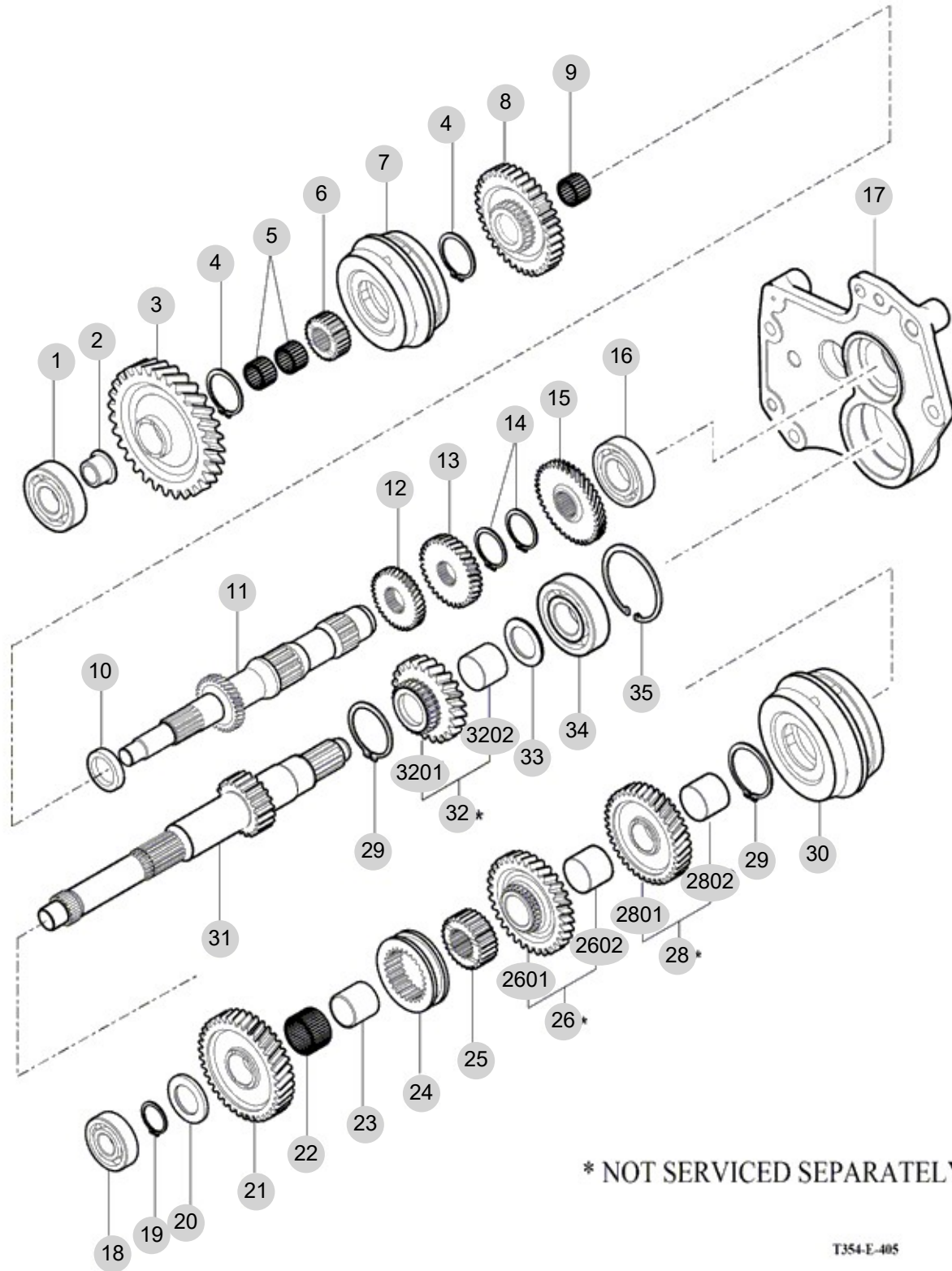
NOTE

FIG 405

MAIN CHANGE GEARS & REVERSE GEARS

년/월
Year/Month

2022-12



NOTE

FIG 405 T394NC		MAIN CHANGE GEARS & REVERSE GEARS					년/월 Year/Month	
							2022-12	
KEY NO	PART NO	DESCRIPTION	SPEC	QTY	REPAIR	EFFECTIVE DATE	REMARKS	
405	1	V6041106305	BEARING , BALL/HL1	6305HL1	1			
405	2	16702142010	BUSH , 17X25X19	1X1X1	1			
405	3	16702131021	GEAR , HELICAL 42T	1X1X1	1			
405	4	V7041400400	C-RING , SHAFT	40	2			
405	5	V6544202612	BEARING , NEEDLE CAGED	KT202612	2			
405	6	16702090021	HUB , 25X51X20	1X1X1	1			
405	7	14482092100	SYNCHRONIZER ASSY	1X1X1	1			
405	8	16702131032	GEAR , HELICAL 39T		1			
405	8	16702131033	GEAR , SPUR/41T	1X1X1	1			
405	9	V6544283313	BEARING , NEEDLE.ROLLER	KT283313	1			
405	10	16702130031	WASHER , 27X39X2.8	1X1X1	1			
405	11	16702110012	GEAR , HELICAL 17T		1			
405	11	16702110013	GEAR , HELICAL 17T	1X1X1	1			
405	12	14572220050	GEAR , HELICAL 21T		1			
405	13	14572220060	GEAR , HELICAL 24T		1			
405	14	V7041400350	C-RING , SHAFT	35	2			
405	15	14572220020	GEAR , HELICAL 29T		1			
405	16	V6041106206	BEARING , BALL/HL1	6206HL1	1			
405	17	16702200201M	METAL , BEARING	1X1X1	1			
405	18	V6041106304	BEARING , BALL/HL1	6304HL1	1			
405	19	V7041400280	C-RING , SHAFT	28	1			
405	20	16702210021	WASHER , 28X46X05	1X1X1	1			
405	21	16702211042	GEAR , HELICAL 40T	1X1X1	1			
405	22	V6544323723	BEARING , NEEDLE CAGED	KT323723	1			
405	23	15602080093	BUSH , 28X32X31		1			
405	24	15602080224	COUPLING , 51X72X18		1			
405	25	15682090020	HUB , 28X51X21	1X1X1	1			
405	26	16702211200	GEAR ASSY , HELICAL 36T	1X1X1	1			
405	2601	16702210070	GEAR , HELICAL 36T	1X1X1	1			
405	2602	16702211910	BUSH , 32X34X28	1X1X1	1			
405	28	16702211500	GEAR ASSY , HELICAL 32T	1X1X1	1			
405	2801	16702210150	GEAR , HELICAL 32T	1X1X1	1			
405	2802	16702211910	BUSH , 32X34X28	1X1X1	1			
405	29	V7041400500	C-RING , SHAFT	50	2			
405	30	16492092001	SYNCHRONIZER ASSY		1			
405	31	16702211012	SHAFT , MAIN SHIFTER		1			
405	31	16702211013	SHAFT , MAIN SHIFTER		1			
405	31	16702211014	SHAFT , MAIN SHIFTER		1			
405	32	16702211900	GEAR ASSY , HELICAL 28T	1X1X1	1			
405	3201	16702211020	GEAR , HELICAL 28T	1X1X1	1			
405	3202	16702211910	BUSH , 32X34X28	1X1X1	1			
405	33	15642160041	WASHER , 30X46X3		1			
405	34	V6001106306	BEARING , BALL	6306	1			
405	35	V7051400720	C-RING , HOLE	72	1			
NOTE								

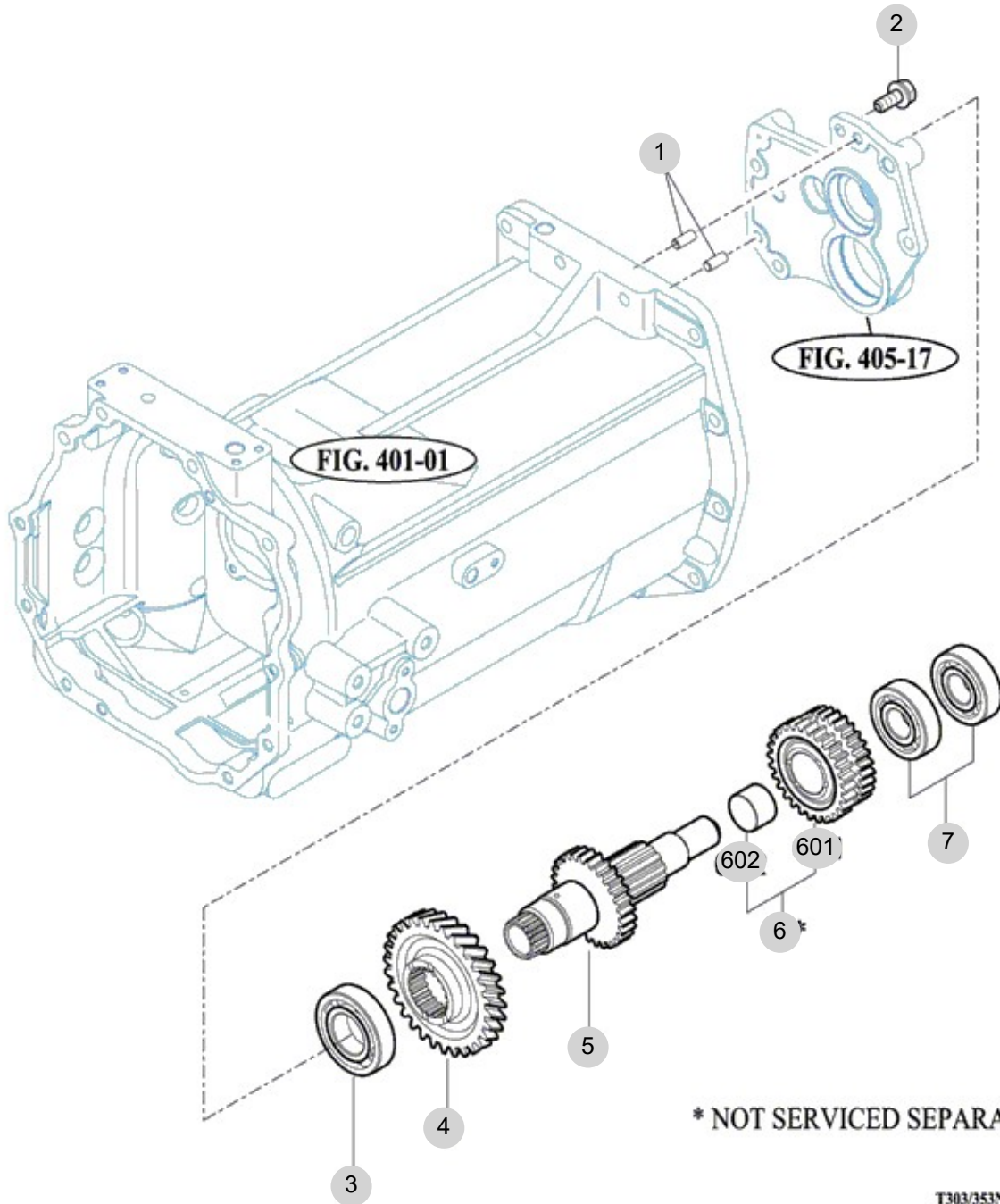
FIG 406

T394NC

SUB CHANGE GEARS

년/월
Year/Month

2022-12



T303/353NC-E-406

NOTE

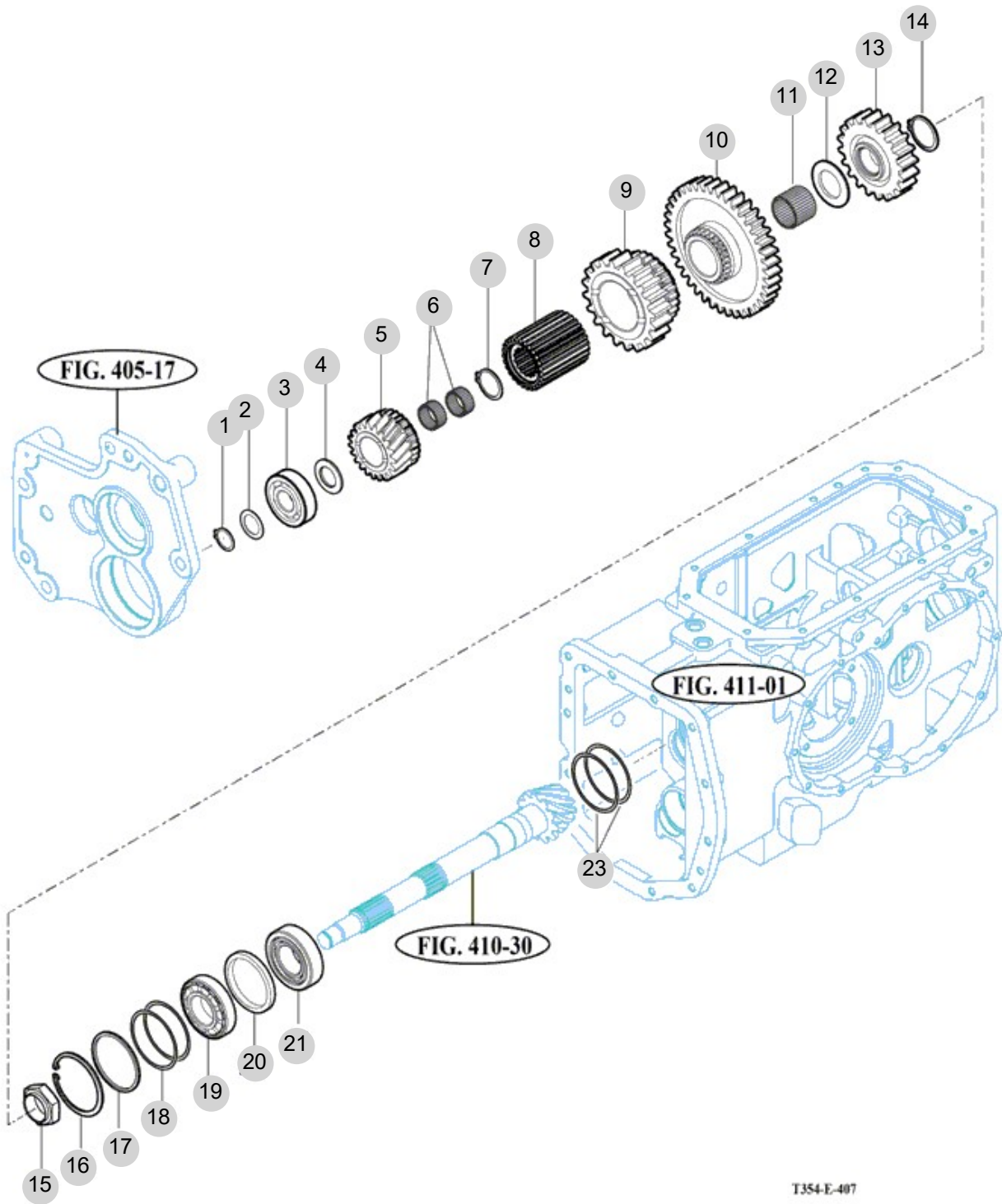
FIG 407

T394NC

PINION GEARS

년/월
Year/Month

2022-12



T354-E-407

NOTE

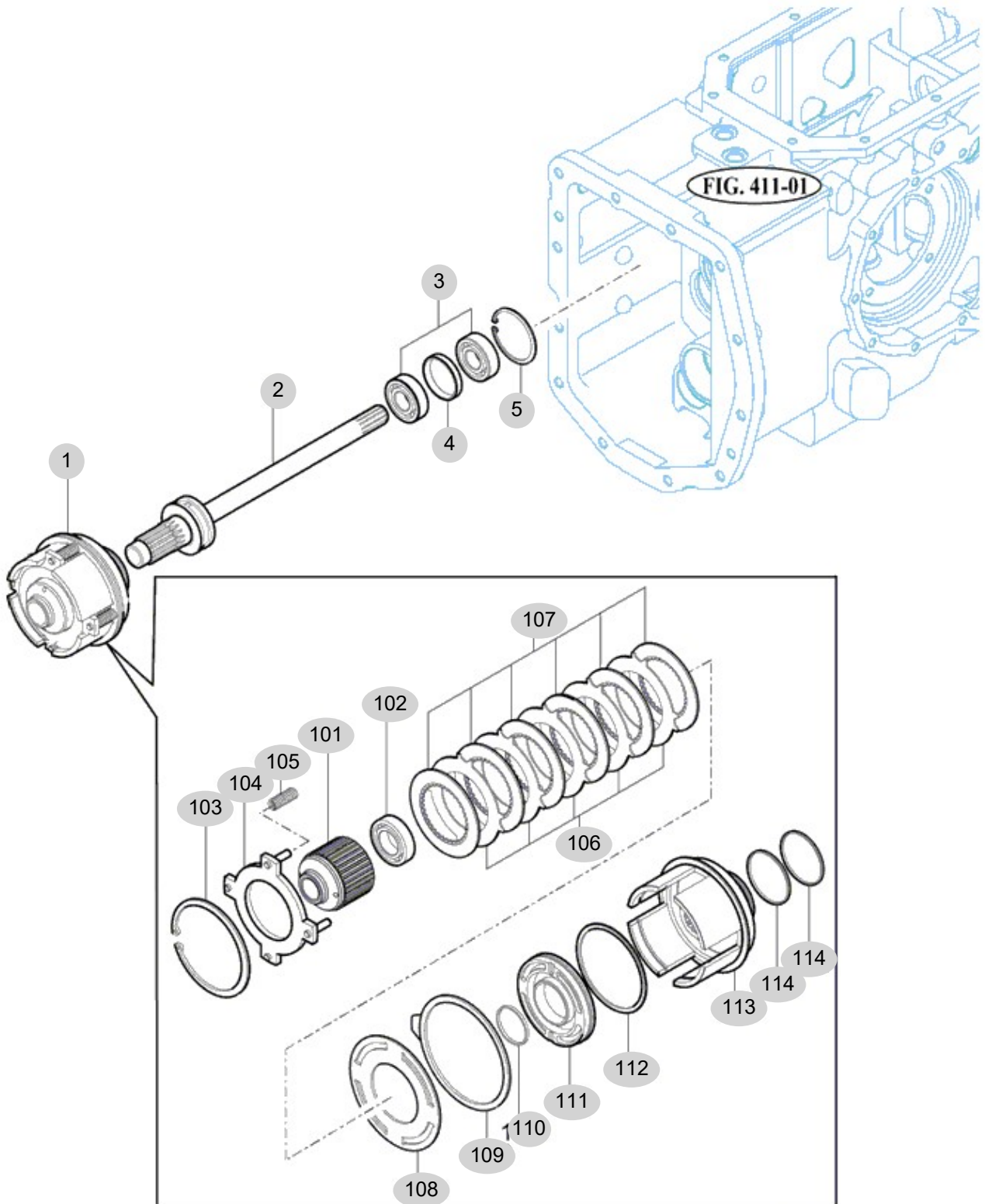
FIG 408

T394NC

P T O DRIVE SHAFT

년/월
Year/Month

2022-12



T354-E-408

NOTE

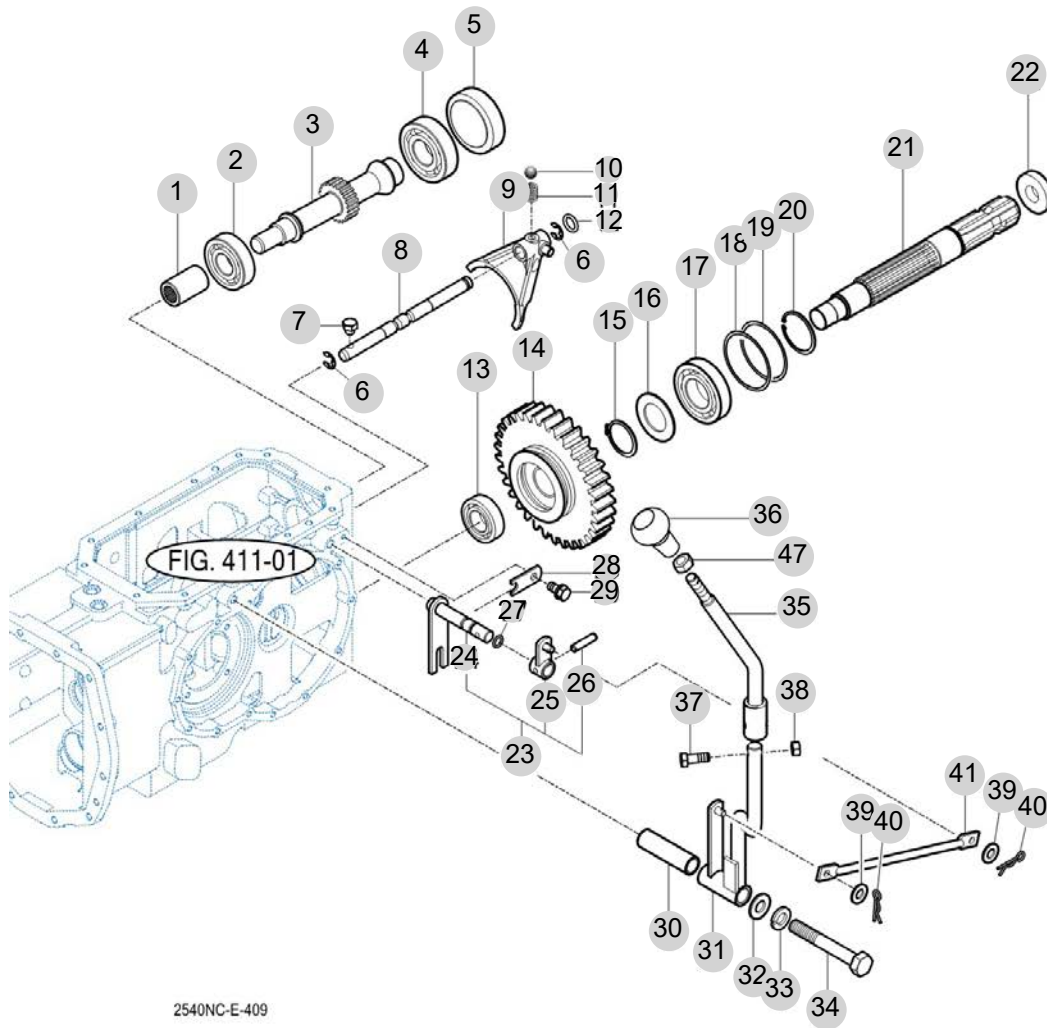
FIG 409

T394NC

P T O CHANGE GEARS

년/월
Year/Month

2022-12



2540NC-E-409

NOTE

FIG 409 T394NC		P T O CHANGE GEARS					년/월 Year/Month	
							2022-12	
KEY NO	PART NO	DESCRIPTION	SPEC	QTY	REPAIR	EFFECTIVE DATE	REMARKS	
409	1	14211340190	COUPLING		1			
409	2	V6001106305	BEARING , BALL	6305	1			
409	3	13212543530	GEAR , SPUR PTO 11		1			
409	4	V6001106306	BEARING , BALL	6306	1			
409	5	14254330180	CAP , 72		1			
409	6	V7081400100	E-RING	Ø10	2			
409	7	15602231610	BOLT , SET M8X16		1			
409	8	13212540020	STAY , PTO SHIFT		1			
409	9	16702540011M	FORK , PTO		1			
409	10	V6802000010	BALL , STEEL	5/16	1			
409	11	13022250030	SPRING , SHIFTER		1			
409	12	V7201024010	O-RING , P	P10	1			
409	13	V6001106205	BEARING , BALL	6205	1			
409	14	13212543500	GEAR ,SPUR(PTO 54T)		1			
409	15	V7041400350	C-RING , SHAFT	Ø35	1			
409	16	14443140041	COLLAR , 35X50X2		1			
409	17	V6001106207	BEARING , BALL	6207	1			
409	18	79642010080	SHIM , B		2			
409	19	16322730030	SHIM , 0.5		1			
409	20	V7051400720	C-RING , HOLE	Ø72	1			
409	21	16703140011	SHAFT , PTO		1			
409	22	16322732000	SEAL ASSY , OIL		1			
409	23	16702555102	HOOK SET , RR PTO		1			
409	24	16702542102	HOOK COMP , RR PTO		1			
409	25	16702432201	ARM COMP , RANGE		1			
409	26	V5801406025	PIN , SPRING	6X25	1			
409	27	V7201024012	O-RING , P	P12	1			
409	28	16702230371	PLATE		1			
409	29	V2173608016	BOLT , HEX/S	M8X16	1			
409	30	16702440070	HUB(13*17*61)		1			
409	31	16702552102	LEVER COMP , PTO/DOWN		1			
409	32	V4111600120	WASHER , PLAIN	M12	1			
409	33	V4011600120	WASHER , SPRING	M12	1			
409	34	V2013612085	BOLT , HEX	M12X85	1			
409	35	16702552202GB	LEVER COMP ,PTO(UP)		1			
409	36	15442190050	GRIP , LEVER 12		1			
409	37	V2013608035	BOLT , HEX		1			
409	38	V3042600080	NUT , HEX/2	M8	1			
409	39	V4111600080	WASHER , PLAIN	M8	2			
409	40	V5601600008	PIN , SNAP	8	2			
409	41	16702553100	ROD , 236		1			
409	47	V3342600100	NUT , HEX FINE/2	M10	1			
NOTE								

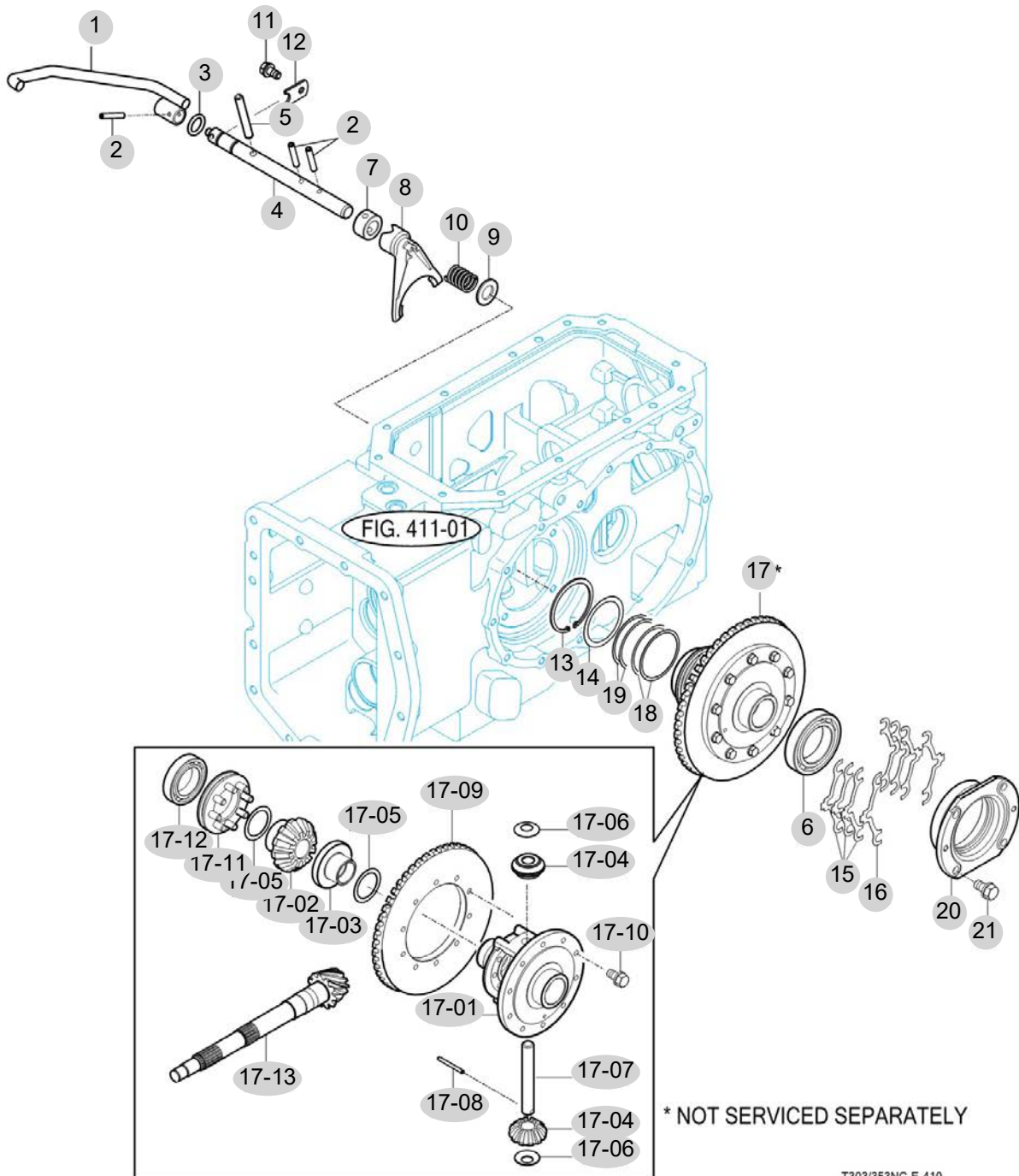
FIG 410

T394NC

DIFF LOCK

년/월
Year/Month

2022-12



NOTE

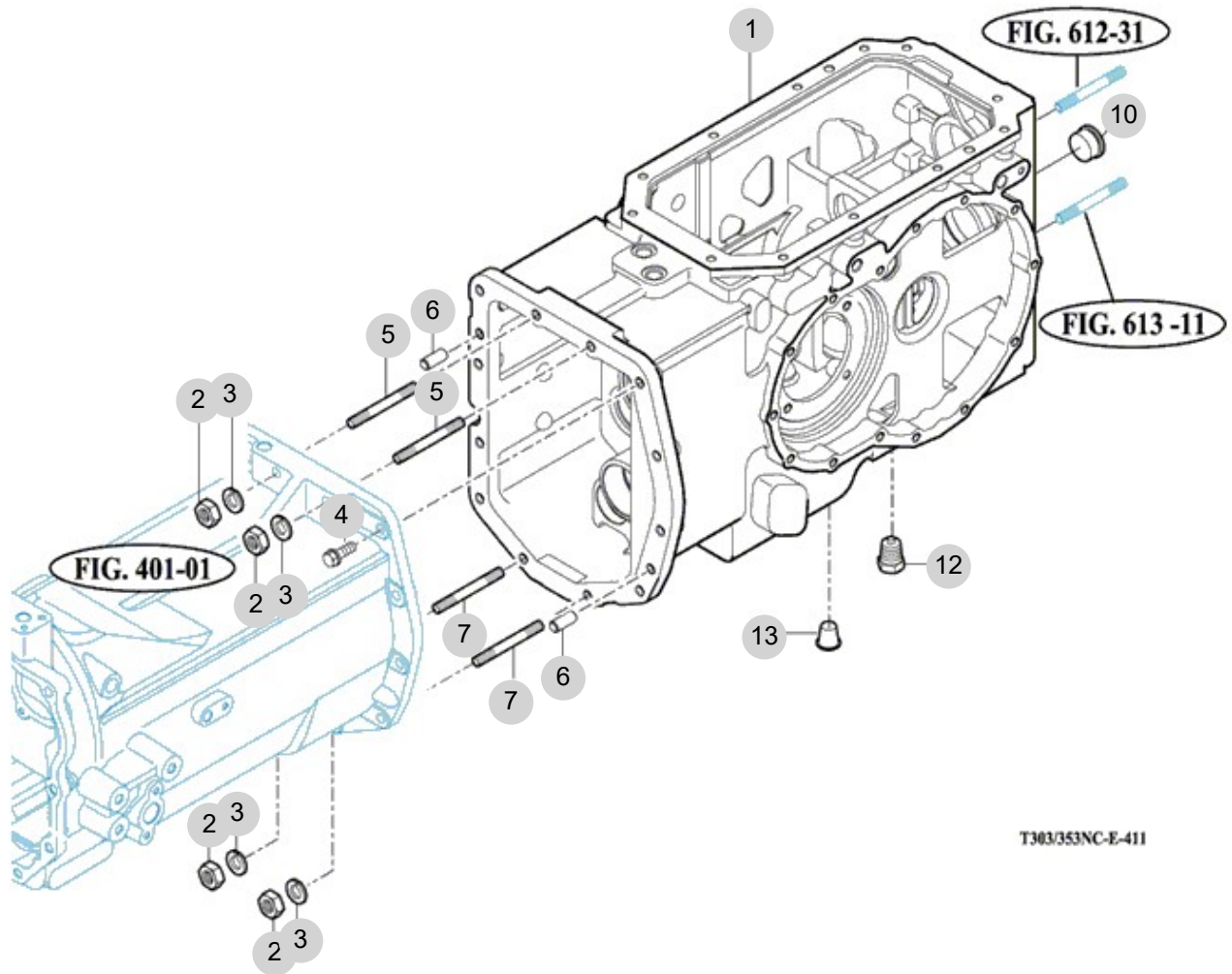
FIG 411

T394NC

TRANSMISSION REAR CASE

년/월
Year/Month

2022-12



T303/353NC-E-411

NOTE

FIG 411 T394NC		TRANSMISSION REAR CASE						년/월 Year/Month	REMARKS
								2022-12	
KEY NO	PART NO	DESCRIPTION	SPEC	QTY	REPAIR	EFFECTIVE DATE			
411	1	14942400014M	CASE , RR TRANSMISSION				1		
411	2	V3043600120	NUT , HEX/2	M12			4		
411	3	V4011600120	WASHER , SPRING	M12			4		
411	4	V2173612040	BOLT , HEX/S	M12X40			8		
411	5	V2513412045	BOLT , STUD/2	M12X45			2		
411	6	V5201010022	PIN , PARALLEL/A	10X22			2		
411	7	V2514412040	BOLT , STUD/2	M12X40			2		
411	10	11103062000	GAUGE ASSY , OIL LEVEL				1		
411	12	16701015001	PLUG ASSY , DRAIN (MAGNET)				1		
411	13	14273170040	CAP , M14				6		
NOTE									

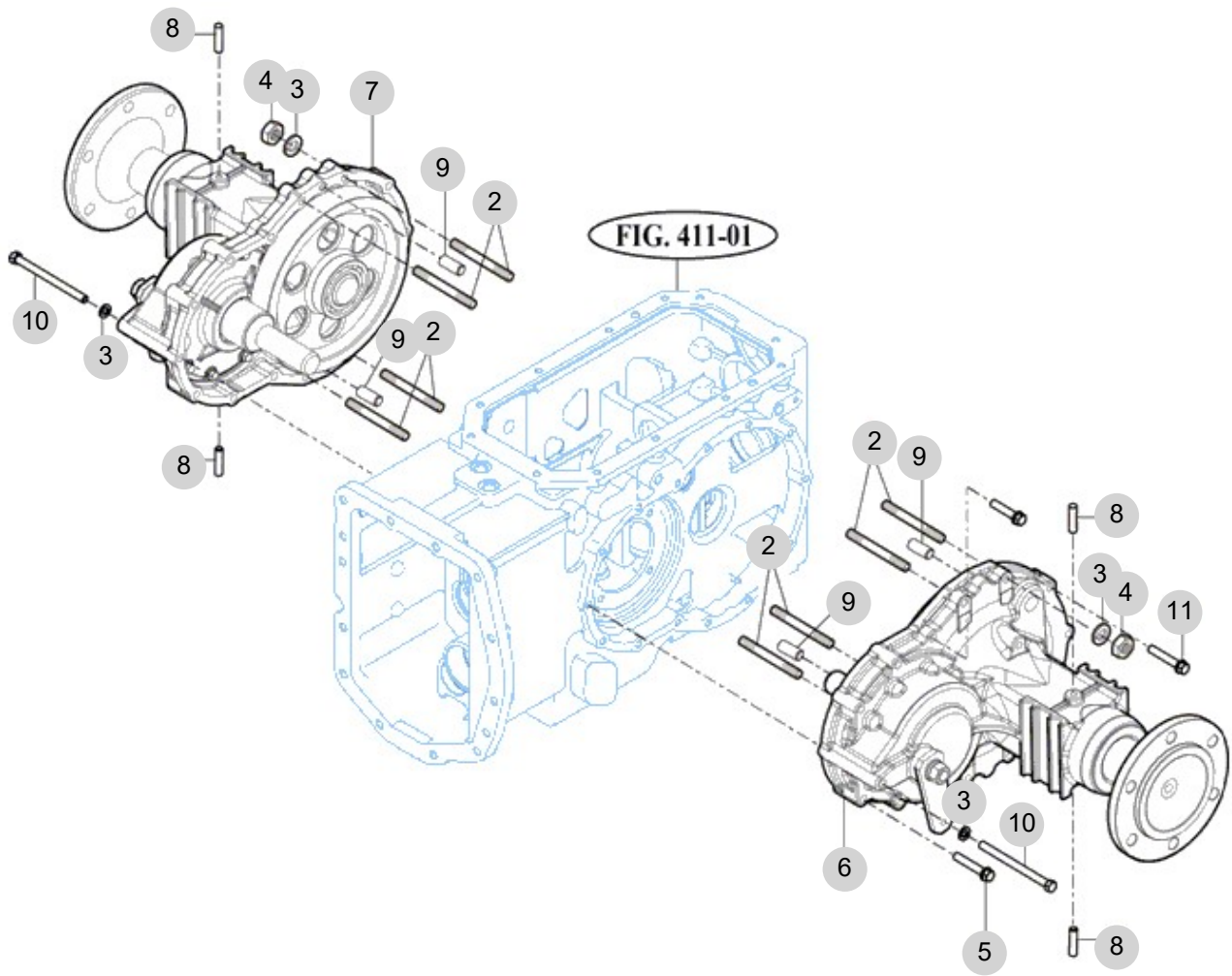
FIG 412

T394NC

REAR AXLE HOUSINGS (1)

년/월
Year/Month

2022-12



NOTE

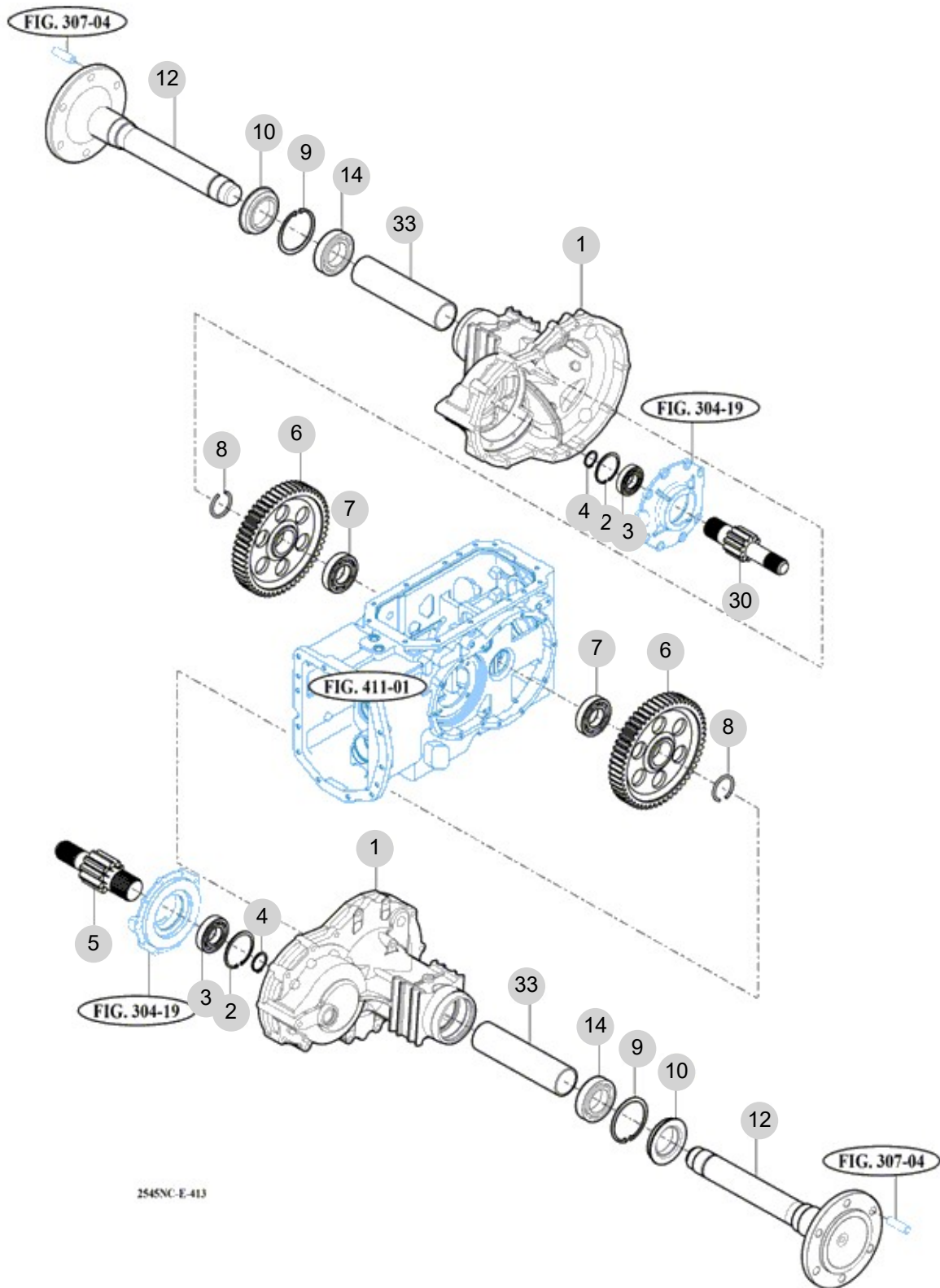
FIG 413

T394NC

REAR AXLE HOUSINGS (2)

년/월
Year/Month

2022-12



2545NC-E-413

NOTE

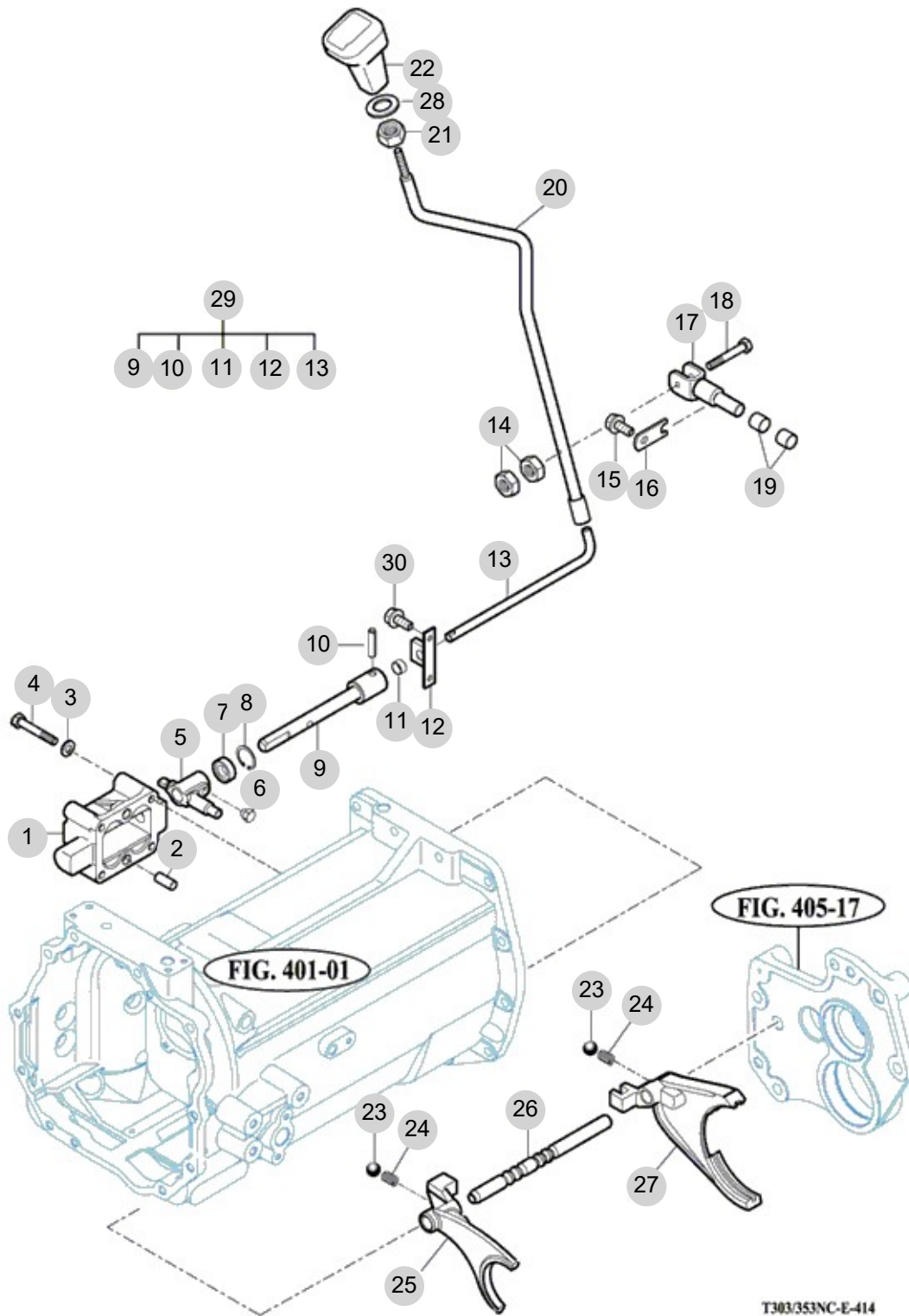
FIG 414

MAIN CHANGE LEVER

년/월
Year/Month

2022-12

T394NC



T303/353NC-E-414

NOTE

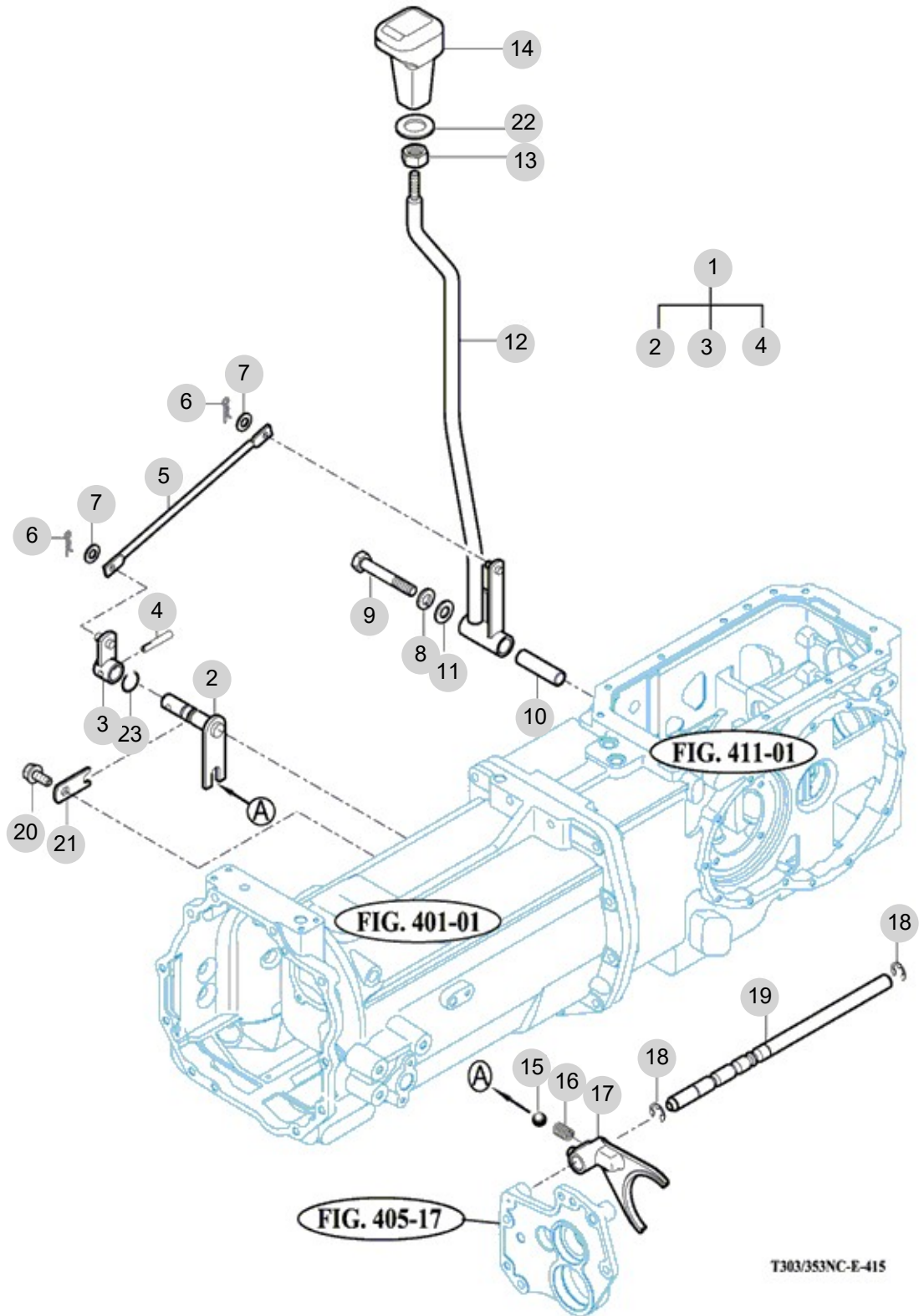
FIG 415

T394NC

SUB CHANGE LEVER

년/월
Year/Month

2022-12



NOTE

FIG 415 T394NC	SUB CHANGE LEVER						년/월 Year/Month
							2022-12

KEY NO	PART NO	DESCRIPTION	SPEC	QTY	REPAIR	EFFECTIVE DATE	REMARKS
415	1	16702432002	ARM SET, RANGE	1			
415	2	16702432102	HOOK COMP , RANGE	1			
415	3	16702432201	ARM COMP , RANGE	1			
415	4	V5111006036	PIN , TAPER SPLIT	6X36	1		
415	5	16702440021	ROD , RANGE 275		1		
415	6	V5601600008	PIN , SNAP	8	2		
415	7	V4111600080	WASHER , PLAIN	M8	2		
415	8	V4011600140	WASHER , SPRING	M14	1		
415	9	V2013612085	BOLT , HEX	M12X85	1		
415	10	16702440070	HUB(13*17*61)		1		
415	11	V4111600120	WASHER , PLAIN	M12	1		
415	12	16702442104	LEVER COMP , RANGE		1		
415	12	16702442105	LEVER COMP , RANGE		1		
415	13	V3342600100	NUT , HEX FINE/2	M10	1		
415	14	14572442401	GRIP COMP , SUB SHIFT GRIP		1		
415	15	V6802000010	BALL , STEEL		1		
415	16	13022250030	SPRING , SHIFTER		1		
415	17	16702430010M	FORK , RANGE		1		
415	18	V7081400100	E-RING	10	2		
415	19	16702430022	STAY , RANGE SHIFT		1		
415	20	V2173608016	BOLT , HEX/S	M8X16	1		
415	21	16702230371	PLATE		1		
415	22	V4111600100	WASHER , PLAIN	M10	1		
415	23	V7201024012	O-RING , P	P12	1		

NOTE							
------	--	--	--	--	--	--	--

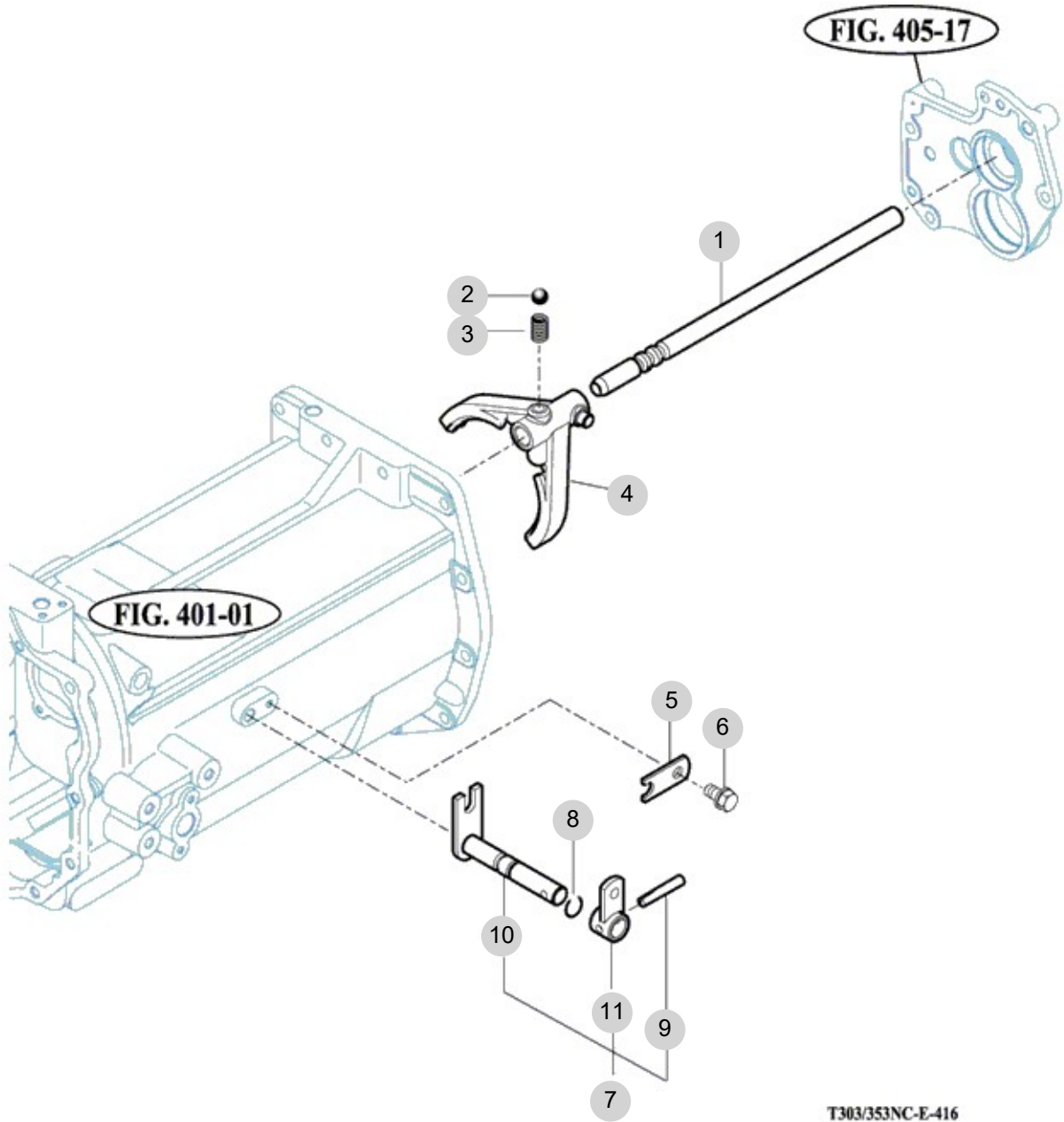
FIG 416

T394NC

REVERSE LINK

년/월
Year/Month

2022-12



NOTE

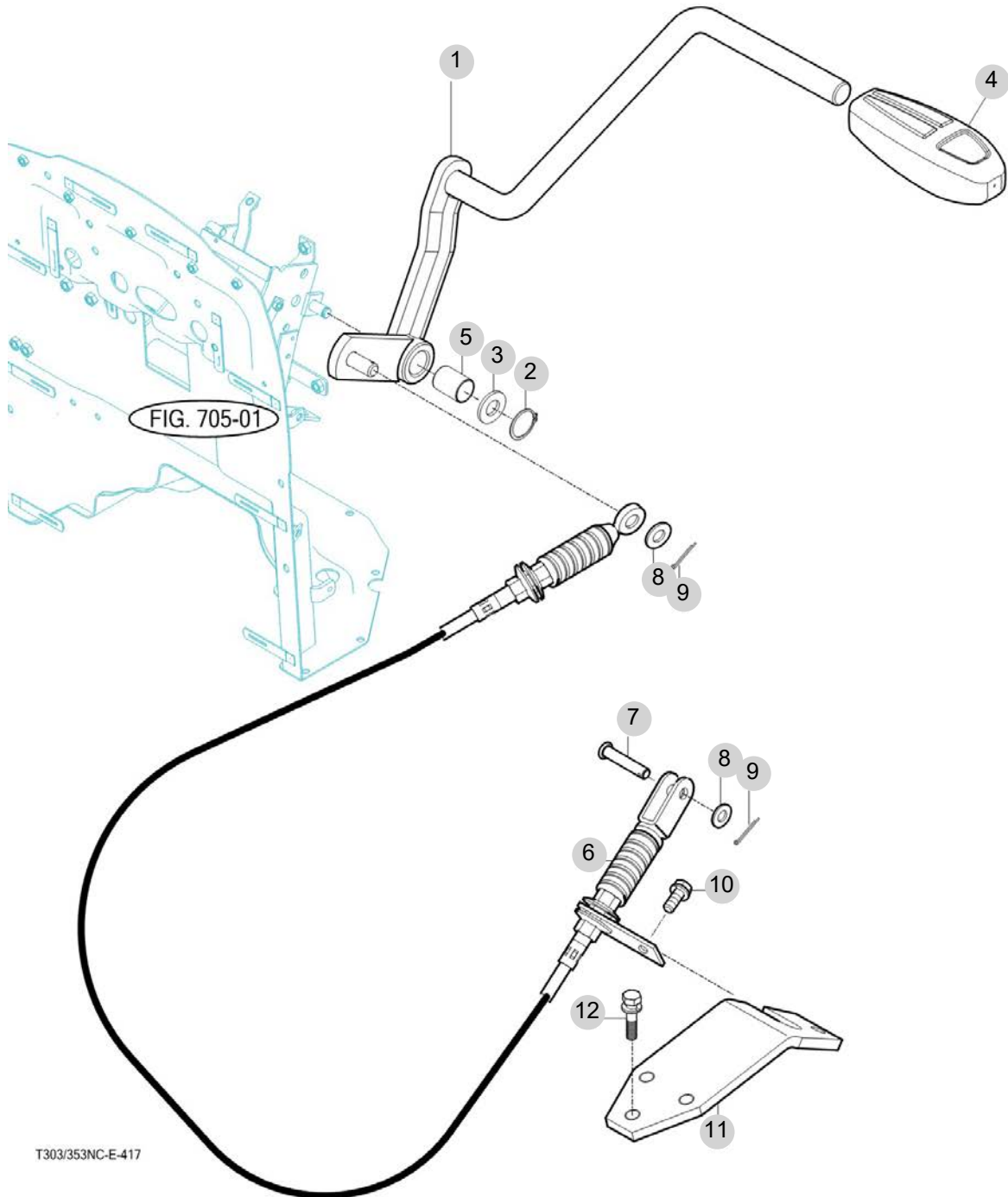
FIG 417

REVERSE CHANGE LEVER

년/월
Year/Month

2022-12

T394NC



T303/353NC-E-417

NOTE

FIG 417 T394NC		REVERSE CHANGE LEVER						년/월 Year/Month	
								2022-12	
KEY NO		PART NO	DESCRIPTION	SPEC	QTY	REPAIR	EFFECTIVE DATE	REMARKS	
417	1	12622832000GB	LEVER COMP , SHUTTLE		1				
417	2	V7041400140	C-RING , SHAFT	14	1				
417	3	14276010030	WASHER , 15X24X2		2				
417	4	14521170040	GRIP,REVERSE		1				
417	5	36461020111	BUSH , 14X16X20	3X16	1				
417	6	12632152000	CABLE ASSY , REVERSE		1				
417	7	14322420010	PIN		1				
417	8	V4111600080	WASHER , PLAIN	M8	1				
417	9	V5001920020	PIN , SPLIT	2X20	1				
417	10	V2173608016	BOLT , HEX/S	M8X16	1				
417	11	16702150014	PLATE , SHUTTLE		1				
417	12	V2183608016	BOLT , HEX/SP	M8X16	3				
NOTE									

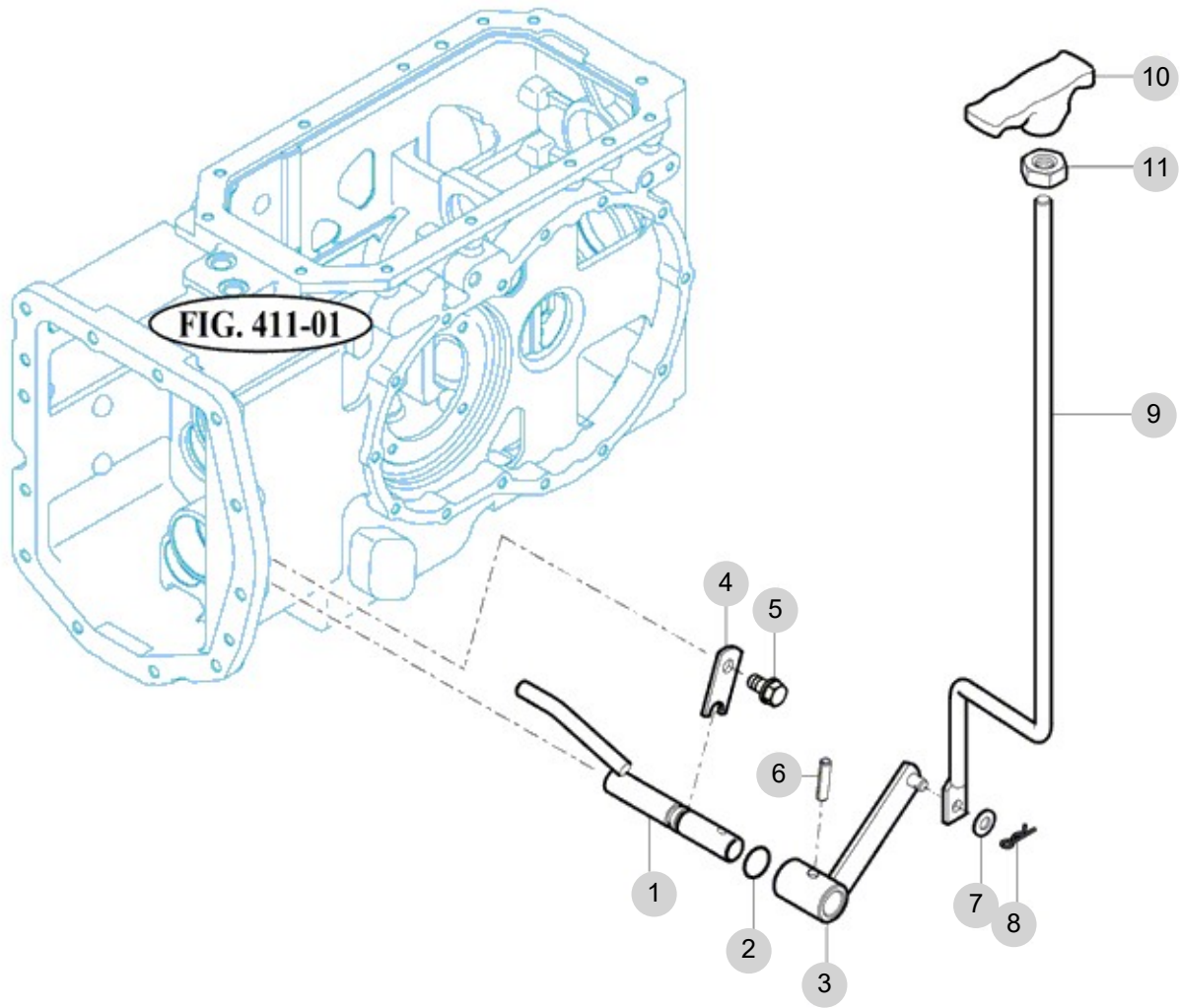
FIG 418

4WD CHANGE LEVER

년/월
Year/Month

T394NC

2022-12



T303/353NC-E-418

NOTE

5. Front Axle PART NO. T5

FIG 501 FRONT AXLE BRACKET	119
FIG 502 FRONT DIFF. GEARS & SHAFT	121
FIG 503 FRONT AXLE HOUSING	123
FIG 504 FRONT GEAR CASE (1)	125
FIG 505 FRONT GEAR CASE (2)	127

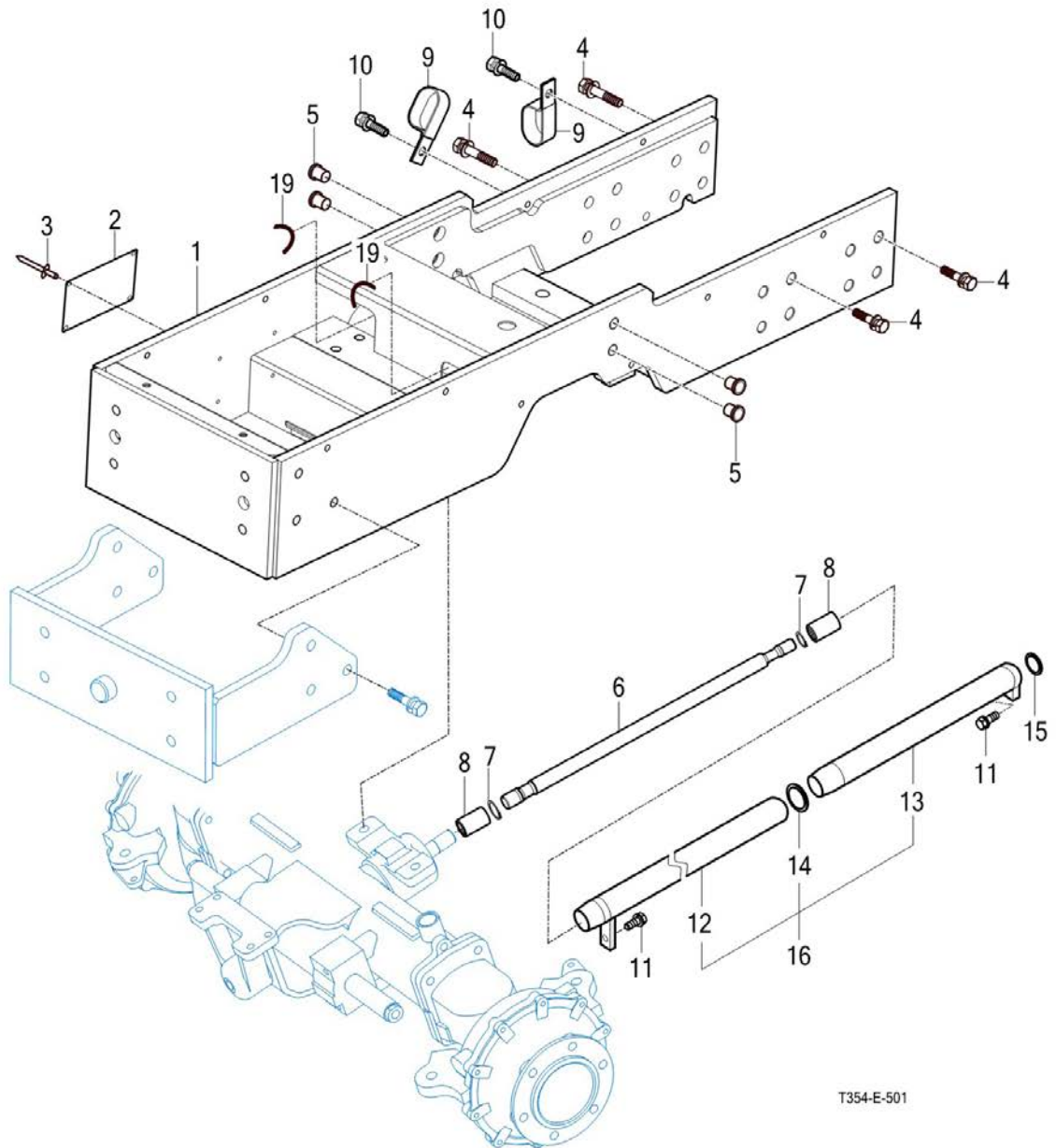
FIG 501

FRONT AXLE BRACKET

년/월
Year/Month

2022-12

T394NC



T354-E-501

NOTE

FIG 502

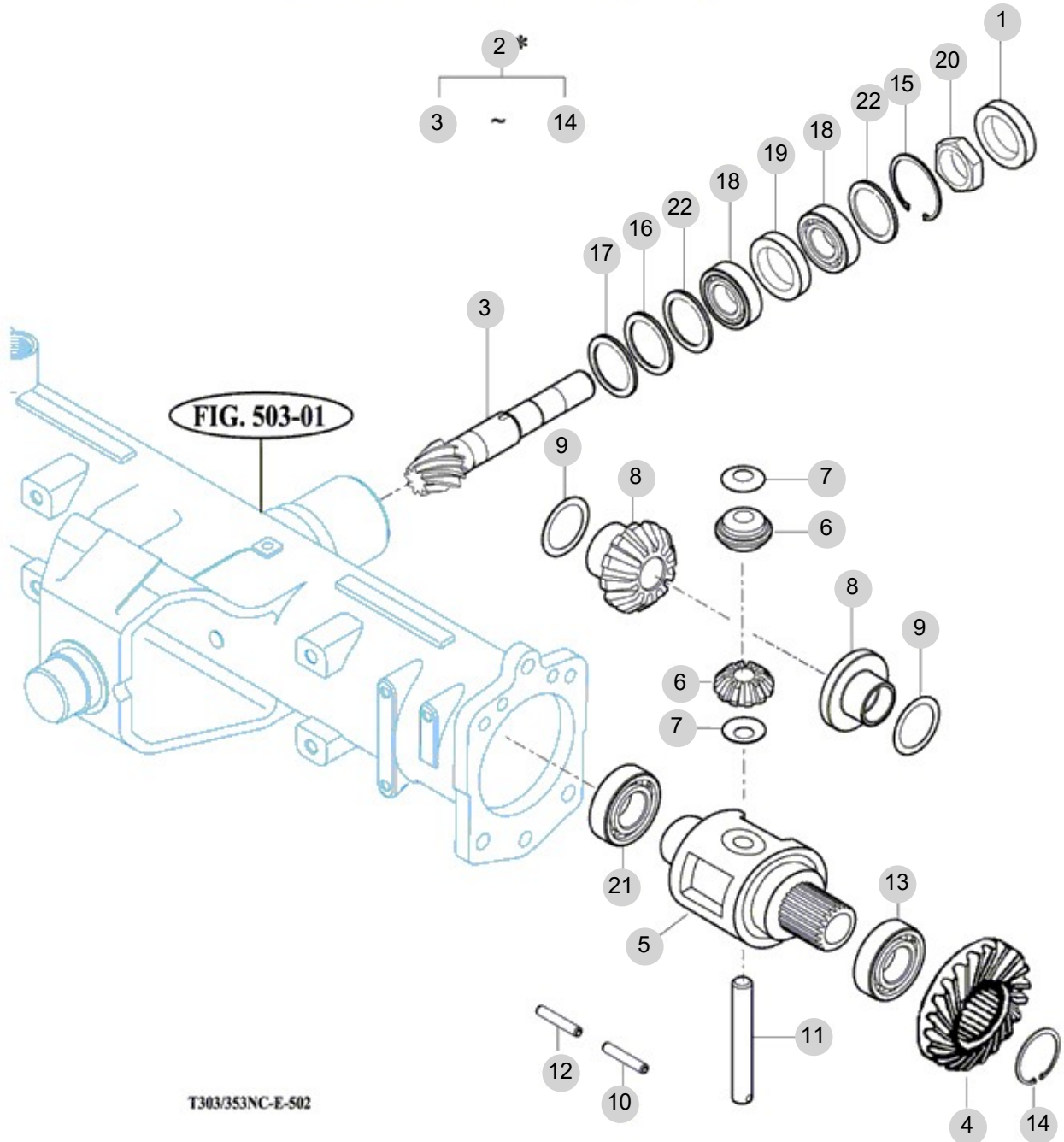
T394NC

FRONT DIFF. GEARS & SHAFT

년/월
Year/Month

2022-12

* NOT SERVICED SEPARATELY



T303/353NC-E-502

NOTE

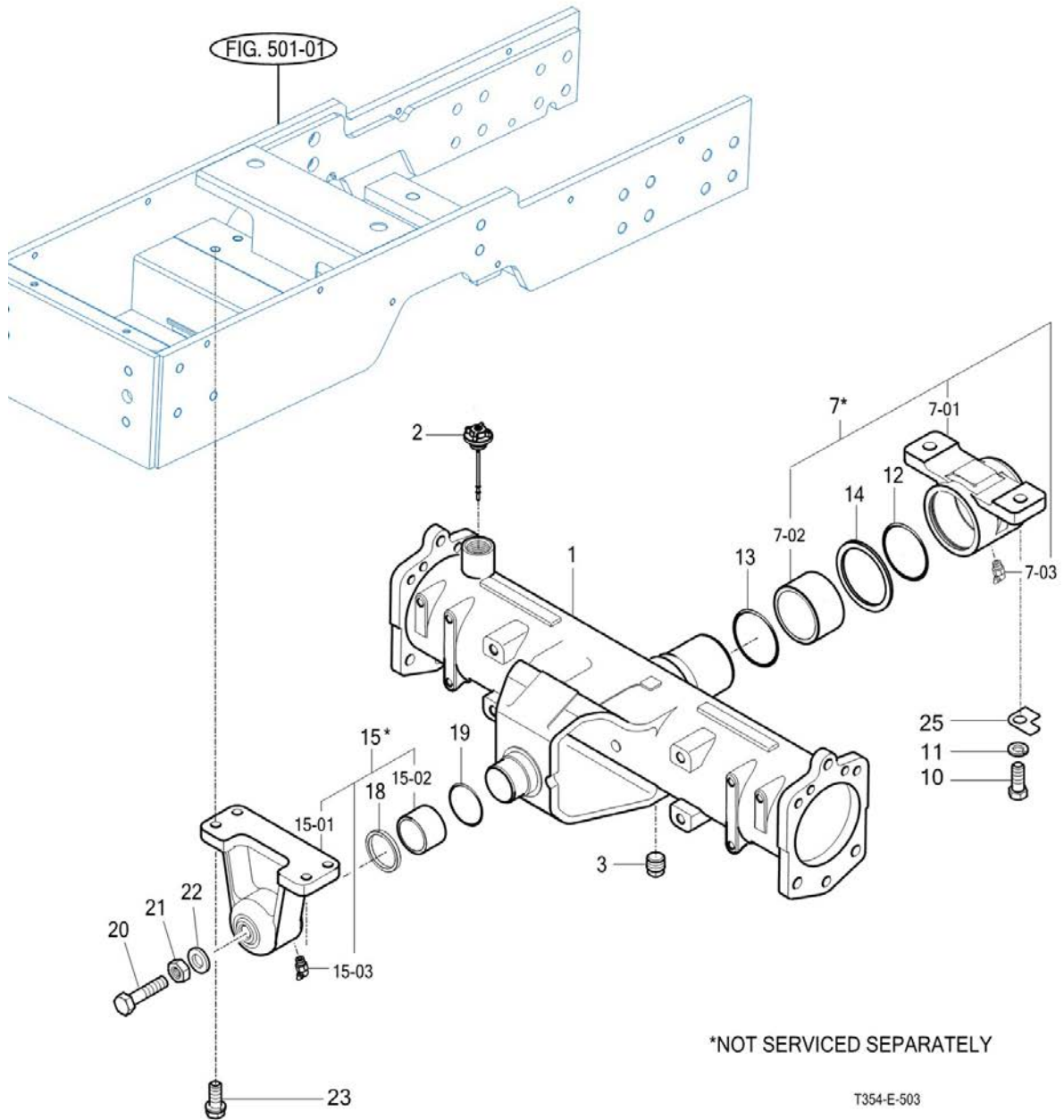
FIG 503

T394NC

FRONT AXLE HOUSING

년/월
Year/Month

2022-12



*NOT SERVICED SEPARATELY

T354-E-503

NOTE

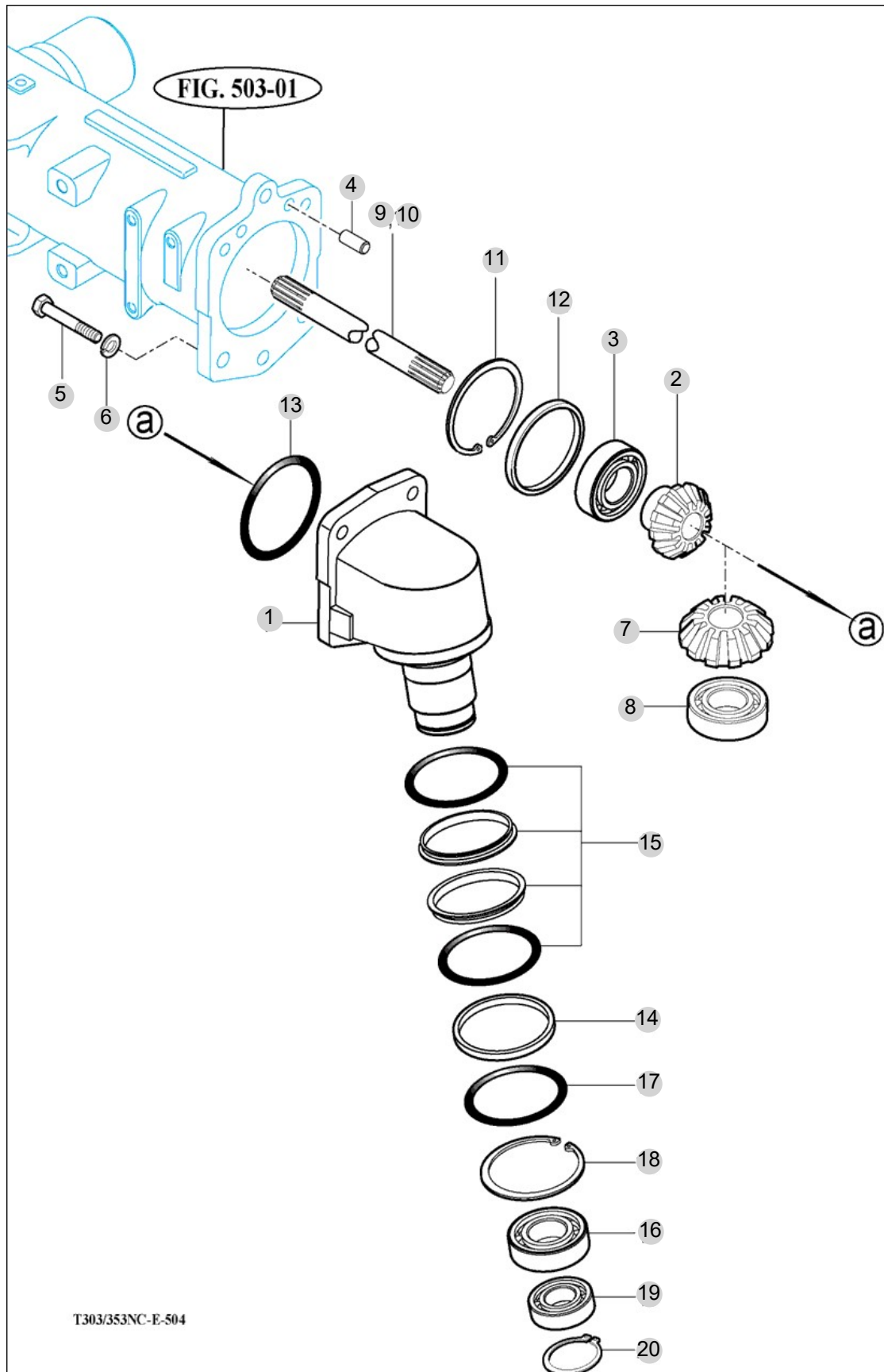
FIG 504

T394NC

FRONT GEAR CASE (1)

년/월
Year/Month

2022-12



T303/353NC-E-504

NOTE

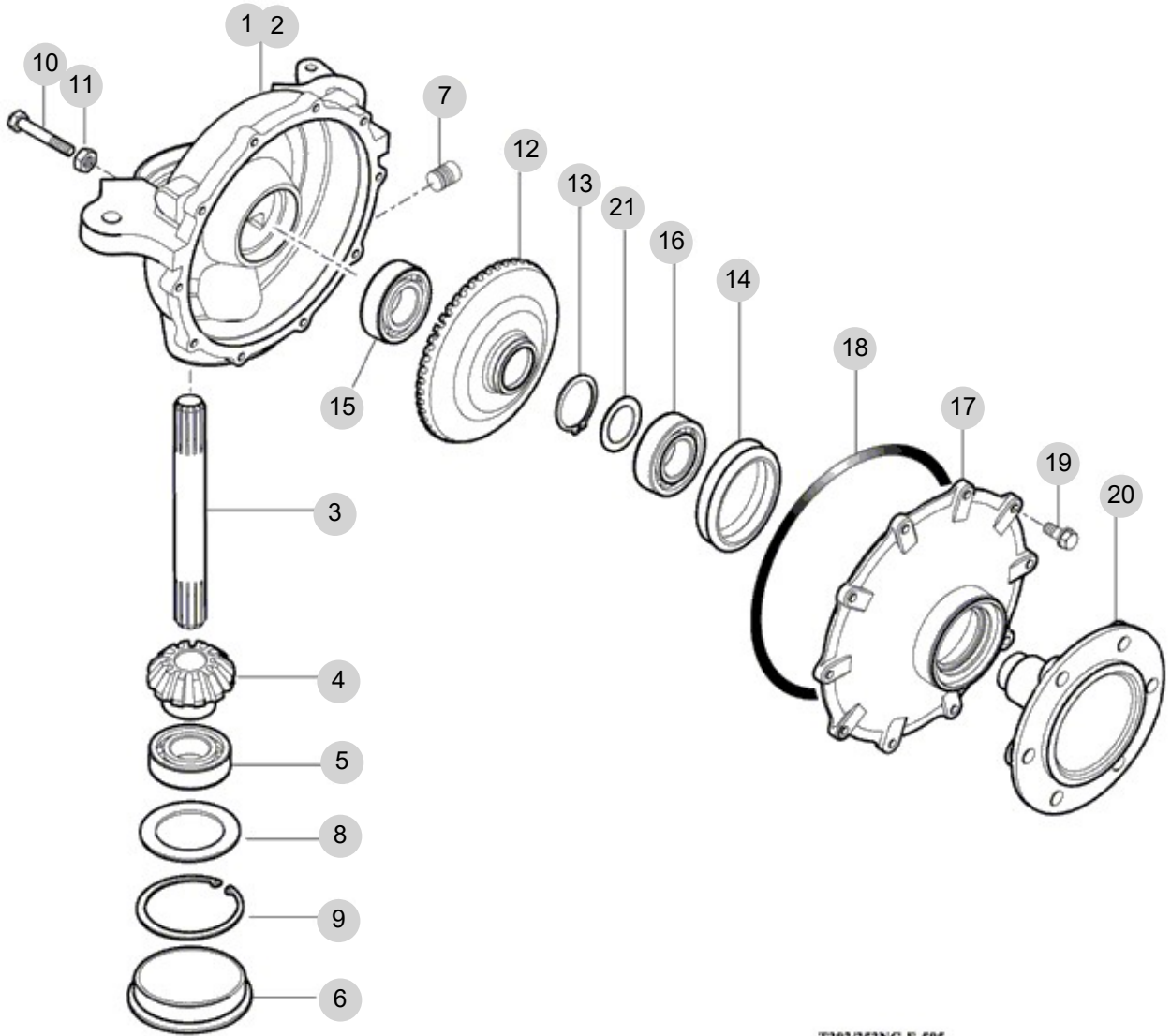
FIG 505

T394NC

FRONT GEAR CASE (2)

년/월
Year/Month

2022-12



T303/353NC-E-505

NOTE

6. Hydraulic/3P-Link PART NO. T6

FIG 601 GEAR PUMP	130
FIG 602 CYLINDER CASE	132
FIG 603 LIFT ARM	134
FIG 604 CYLINDER	136
FIG 605 POSITION LINK (1)	138
FIG 606 POSITION LINK (2)	140
FIG 607 CONTROL VALVE	142
FIG 608 POSITION LEVER	144
FIG 609 HYDRAULIC PIPE (1)	146
FIG 610 HYDRAULIC PIPE (2)	148
FIG 611 EXTERIOR HYD VALVE	150
FIG 611-2 VALVE KIT	152
FIG 612 3-POINT LINK	154
FIG 613 HITCH & COVER	156
FIG 614 EXTERIOR POSITION LEVER	158

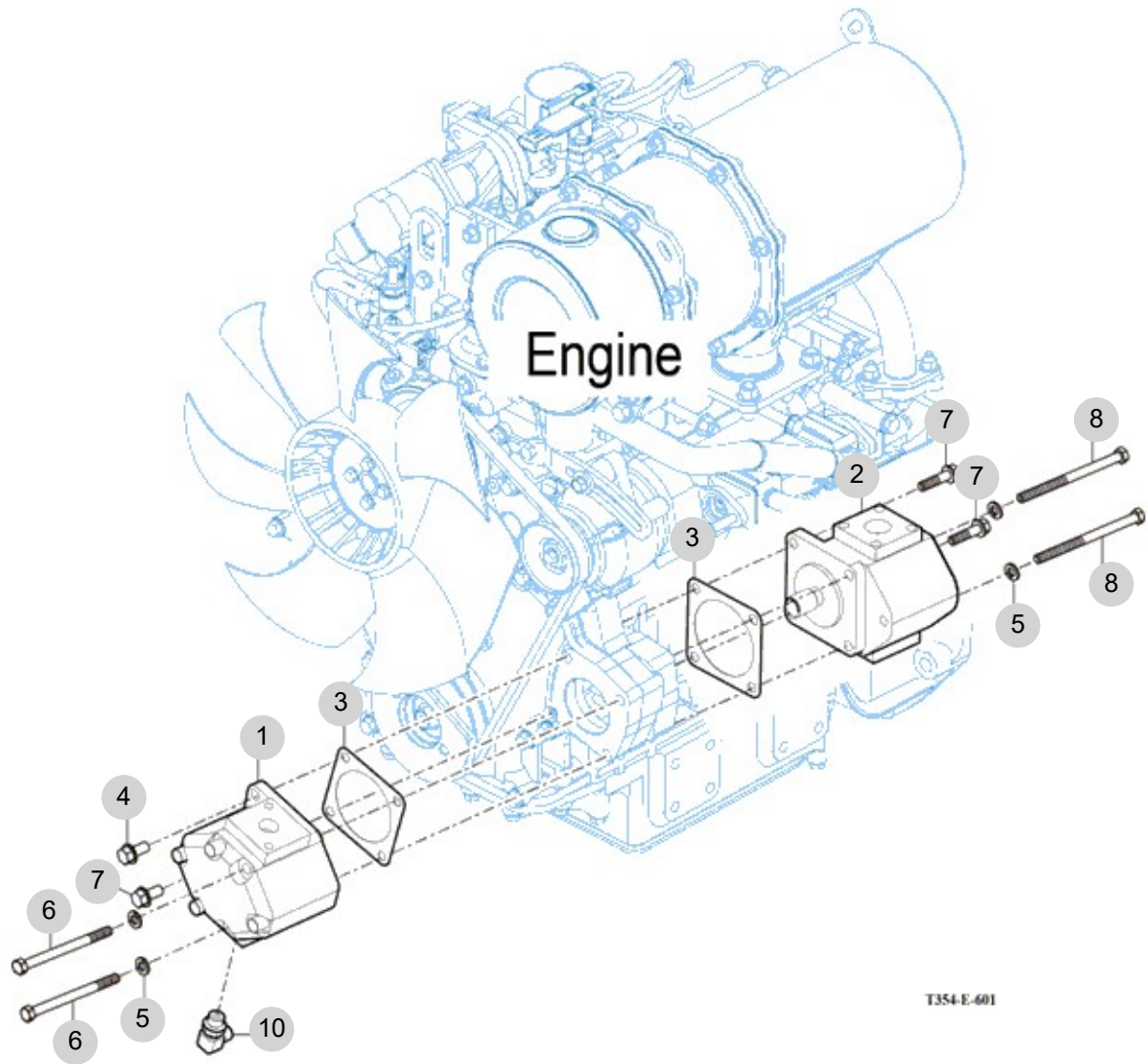
FIG 601

T394NC

GEAR PUMP

년/월
Year/Month

2022-12



NOTE

FIG 601		GEAR PUMP					년/월 Year/Month	
T394NC								2022-12
KEY NO	PART NO	DESCRIPTION	SPEC	QTY	REPAIR	EFFECTIVE DATE	REMARKS	
601	1	17415200001	GEAR PUMP ASSY (6.5cc)		1			
601	2	17415100000	GEAR PUMP ASSY (9cc)		1			
601	3	14045030060	PACKING , OIL PUMP		2			
601	4	V2173608045	BOLT , HEX/S	M8X45	1			
601	5	V4011600080	WASHER , SPRING	M8	4			
601	6	V2013608110	BOLT , HEX	M8X110	2			
601	7	V2173608025	BOLT , HEX/S	M8X25	3			
601	8	V2013608100	BOLT , HEX	M8X100	2			
601	10	36313530021	ADAPTER , HIGH-PRESSURE		1			
NOTE								

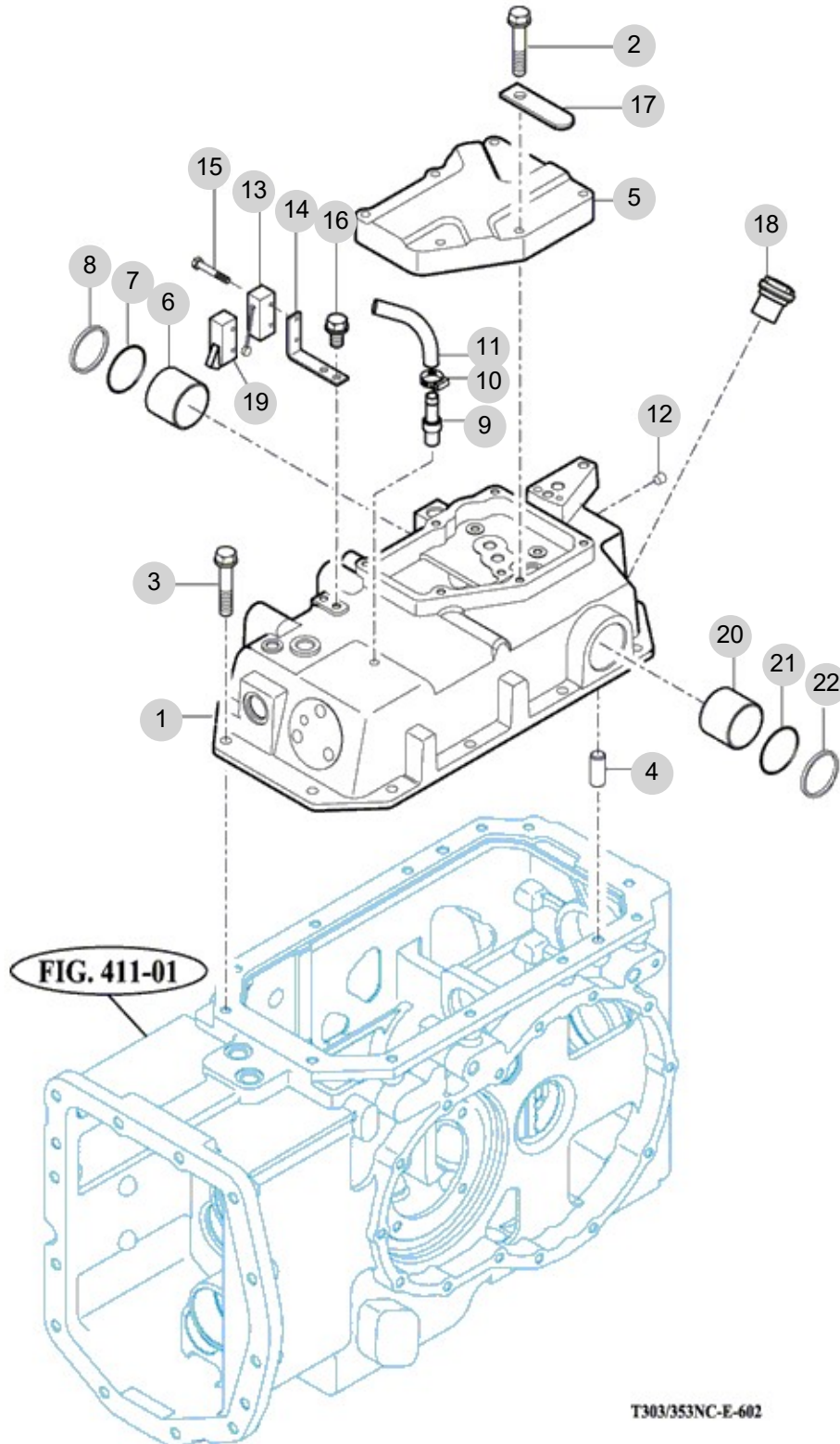
FIG 602

CYLINDER CASE

년/월
Year/Month

2022-12

T394NC



NOTE

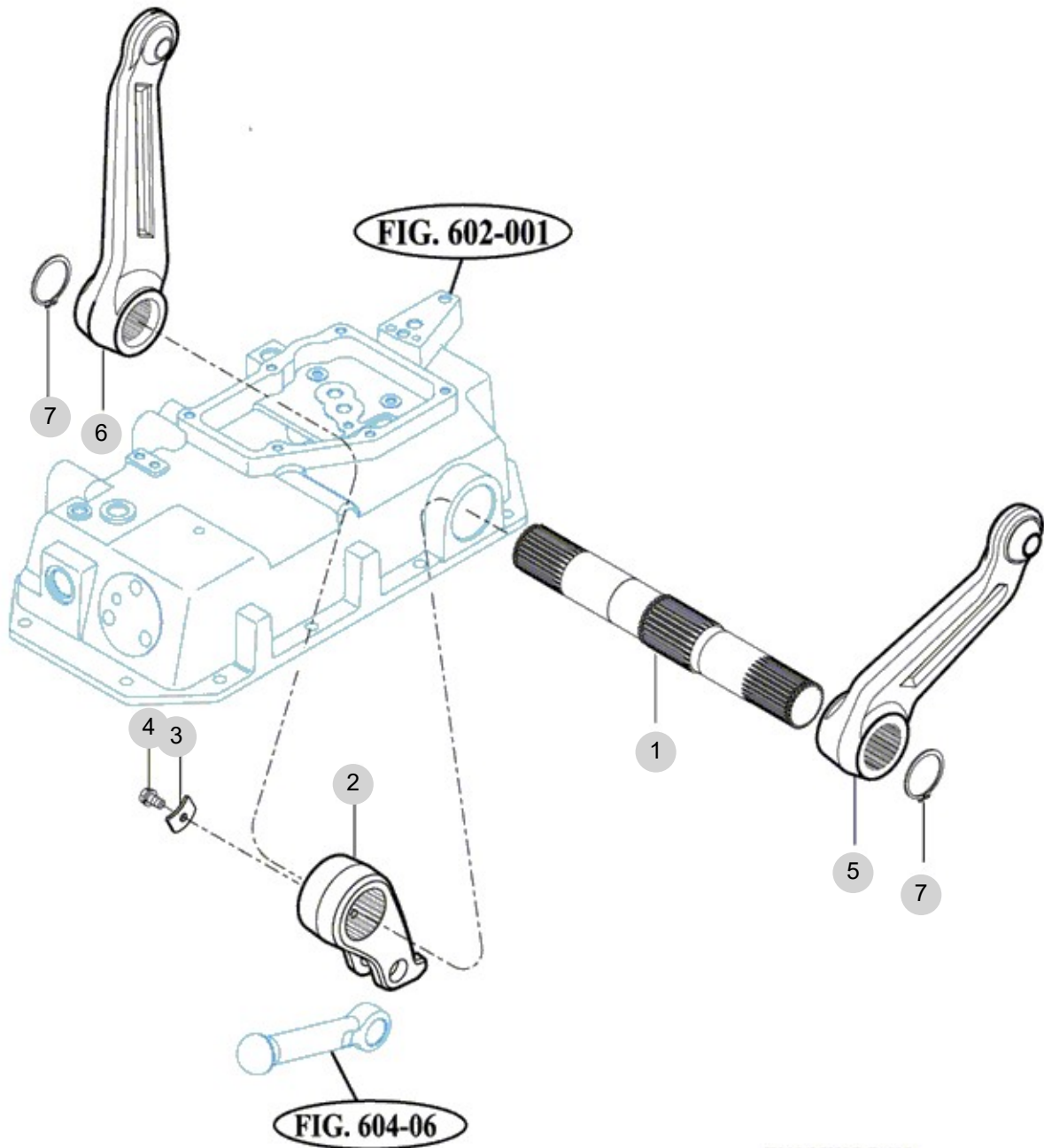
FIG 603

T394NC

LIFT ARM

년/월
Year/Month

2022-12



T303/353NC-E-603

NOTE

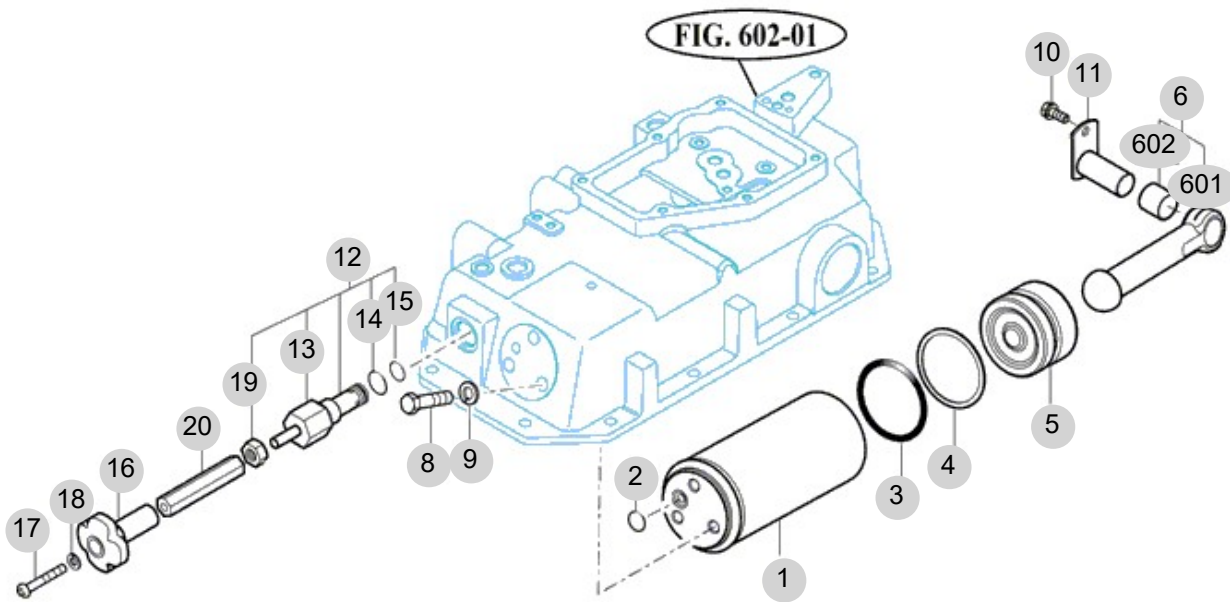
FIG 604

T394NC

CYLINDER

년/월
Year/Month

2022-12



T303/353NC-E-604

NOTE

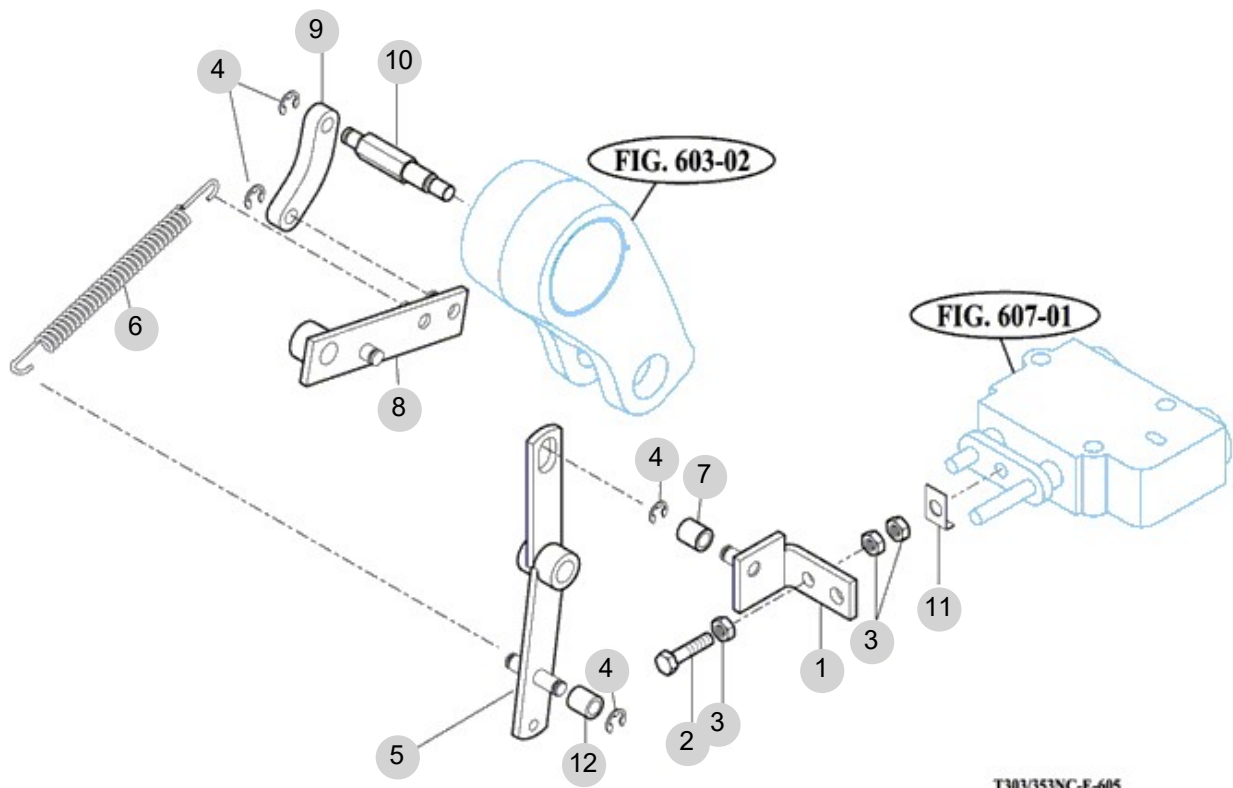
FIG 605

T394NC

POSITION LINK (1)

년/월
Year/Month

2022-12



T303/353NC-E-605

NOTE

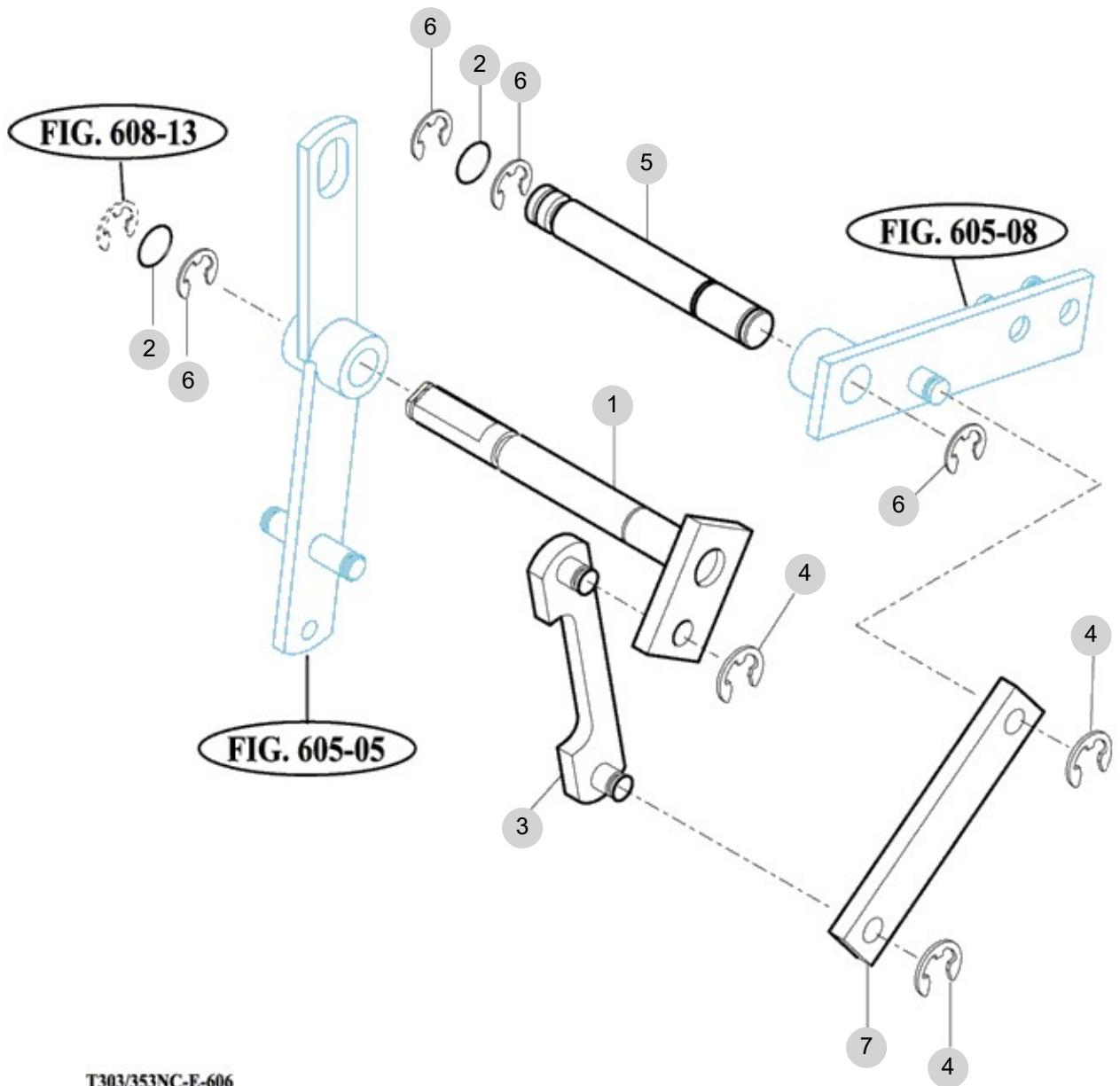
FIG 606

T394NC

POSITION LINK (2)

년/월
Year/Month

2022-12



T303/353NC-E-606

NOTE

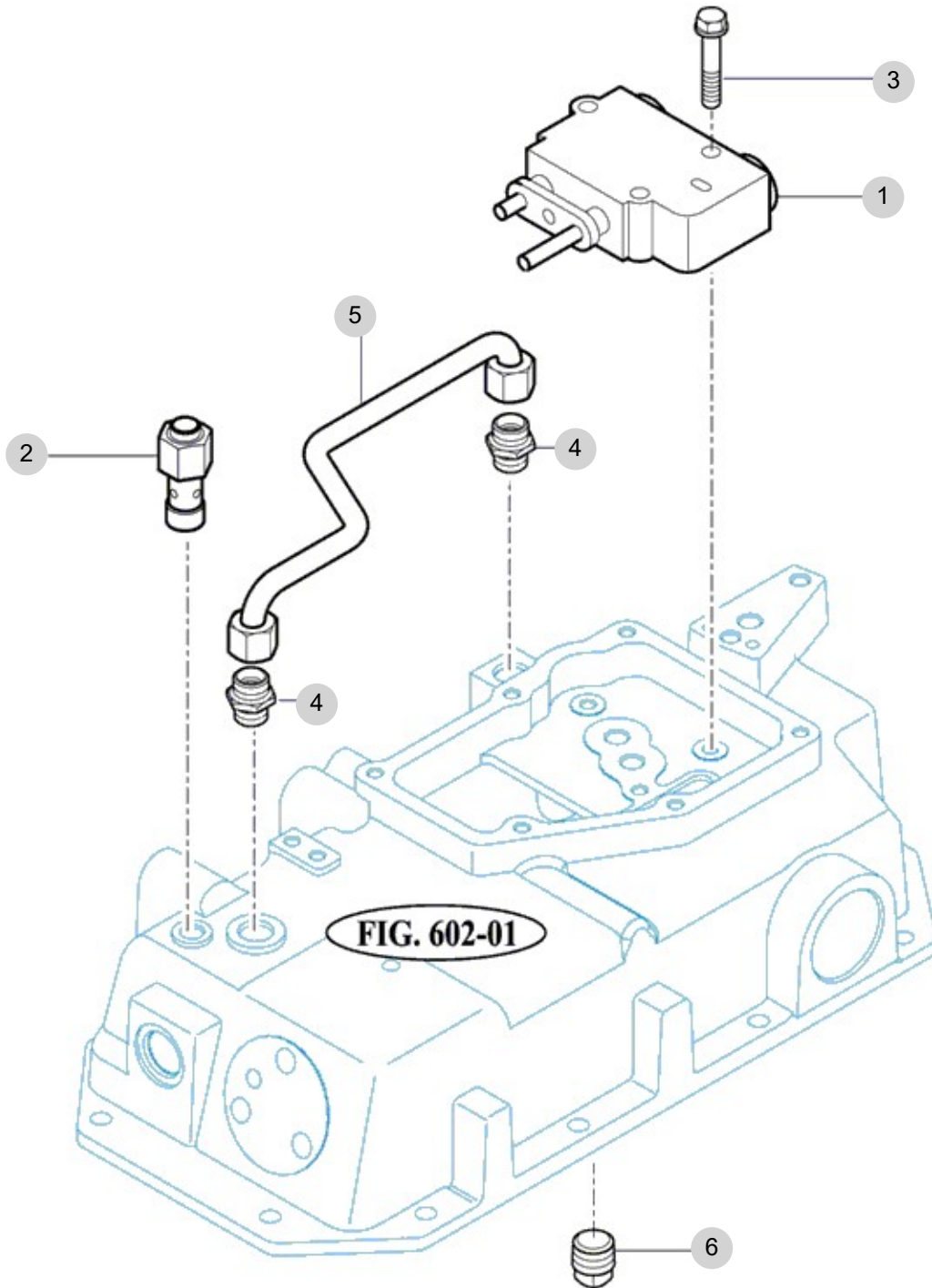
FIG 607

T394NC

CONTROL VALVE

년/월
Year/Month

2022-12



T303/353NC-E-607

NOTE

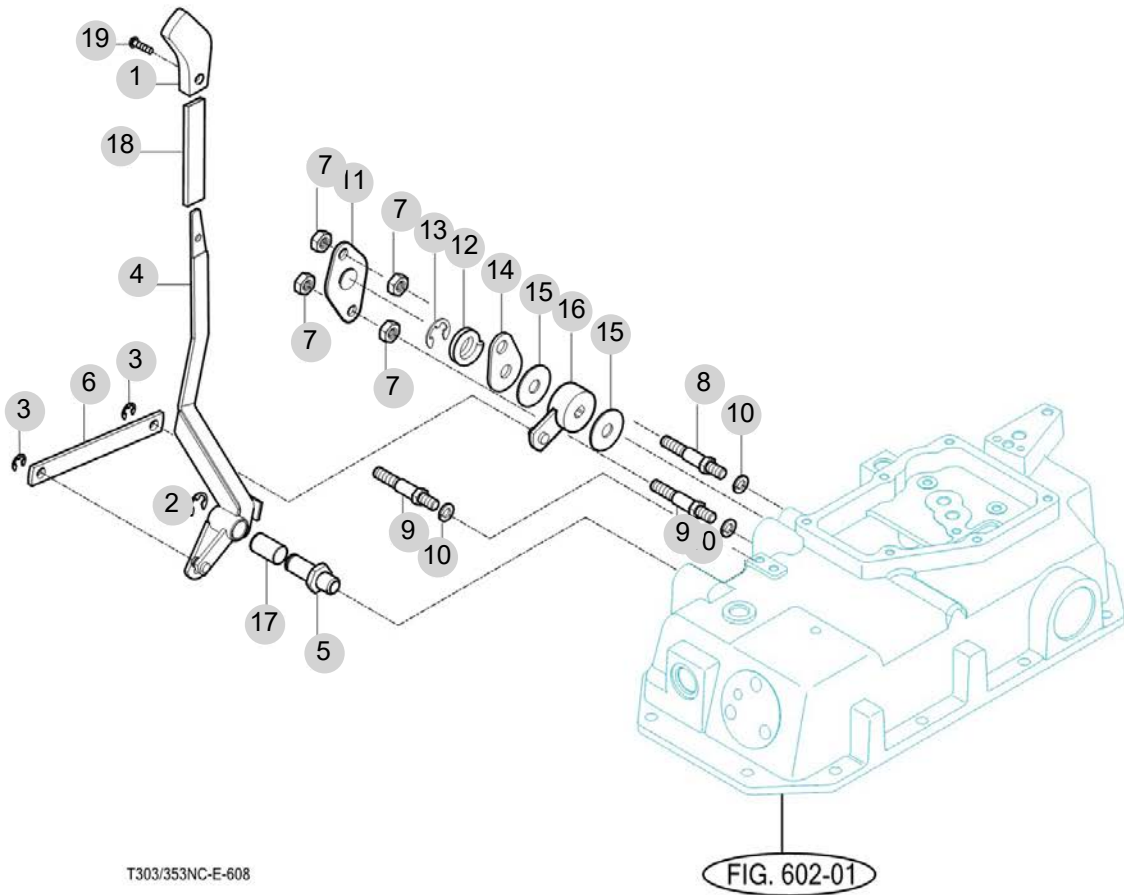
FIG 608

T394NC

POSITION LEVER

년/월
Year/Month

2022-12



T303/353NC-E-608

FIG. 602-01

NOTE

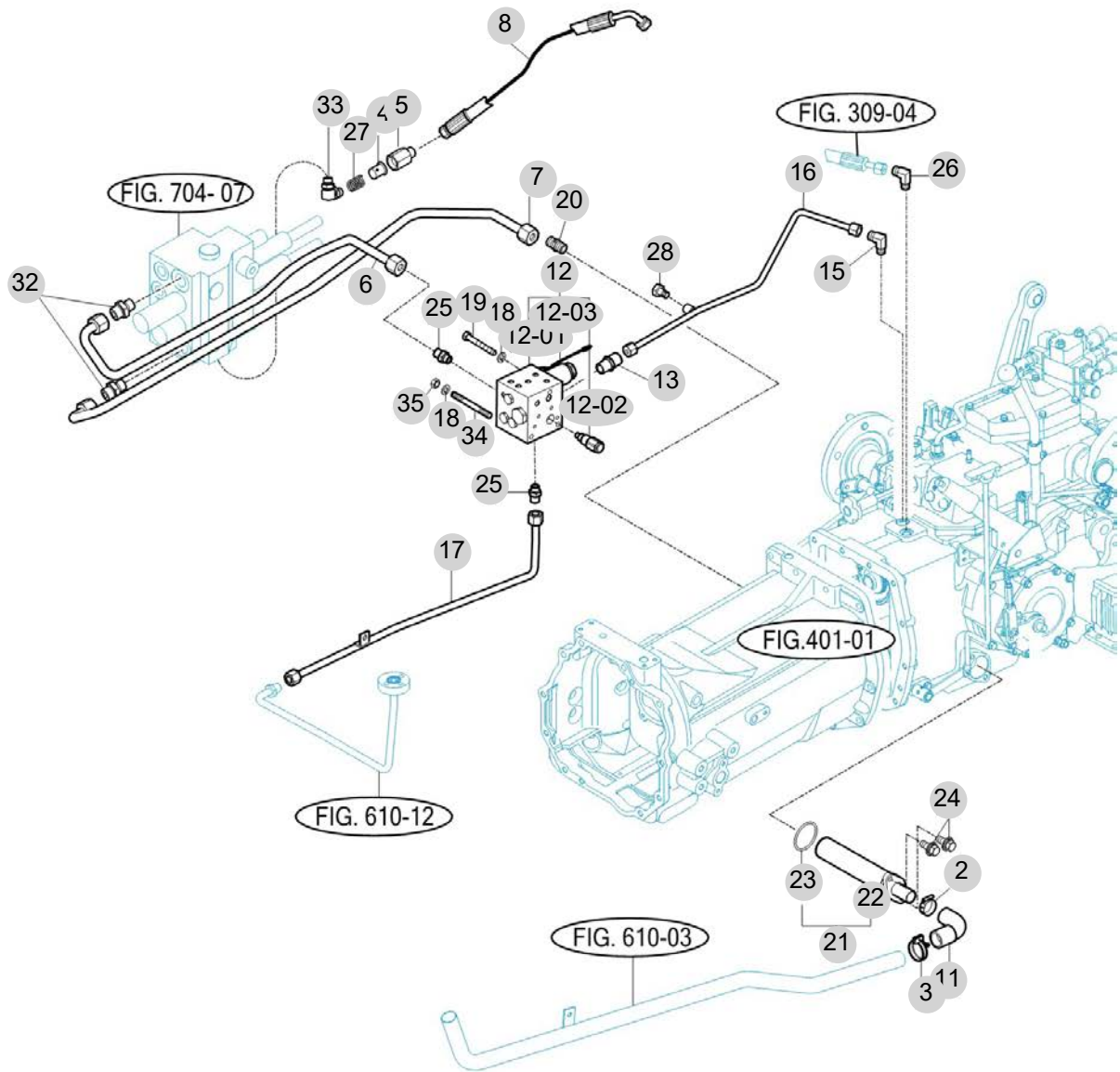
FIG 609

T394NC

HYDRAULIC PIPE (1)

년/월
Year/Month

2022-12



T354-E-609

NOTE

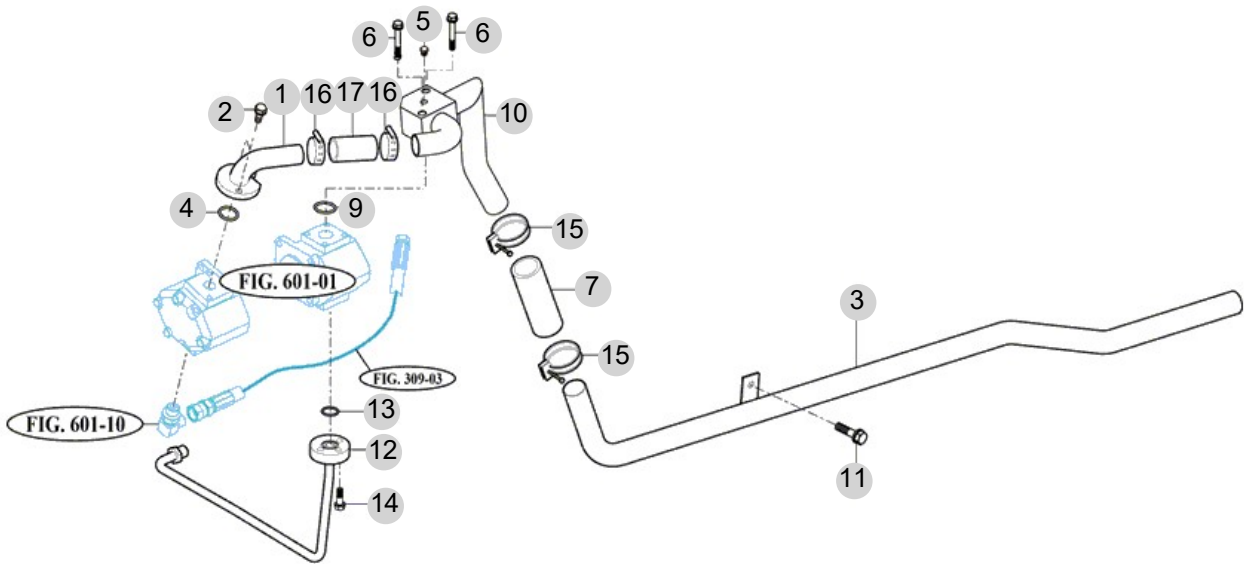
FIG 610

T394NC

HYDRAULIC PIPE (2)

년/월
Year/Month

2022-12



T394NC-E-610

NOTE

FIG 611

T394NC

EXTERIOR HYD VALVE

년/월
Year/Month

2022-12

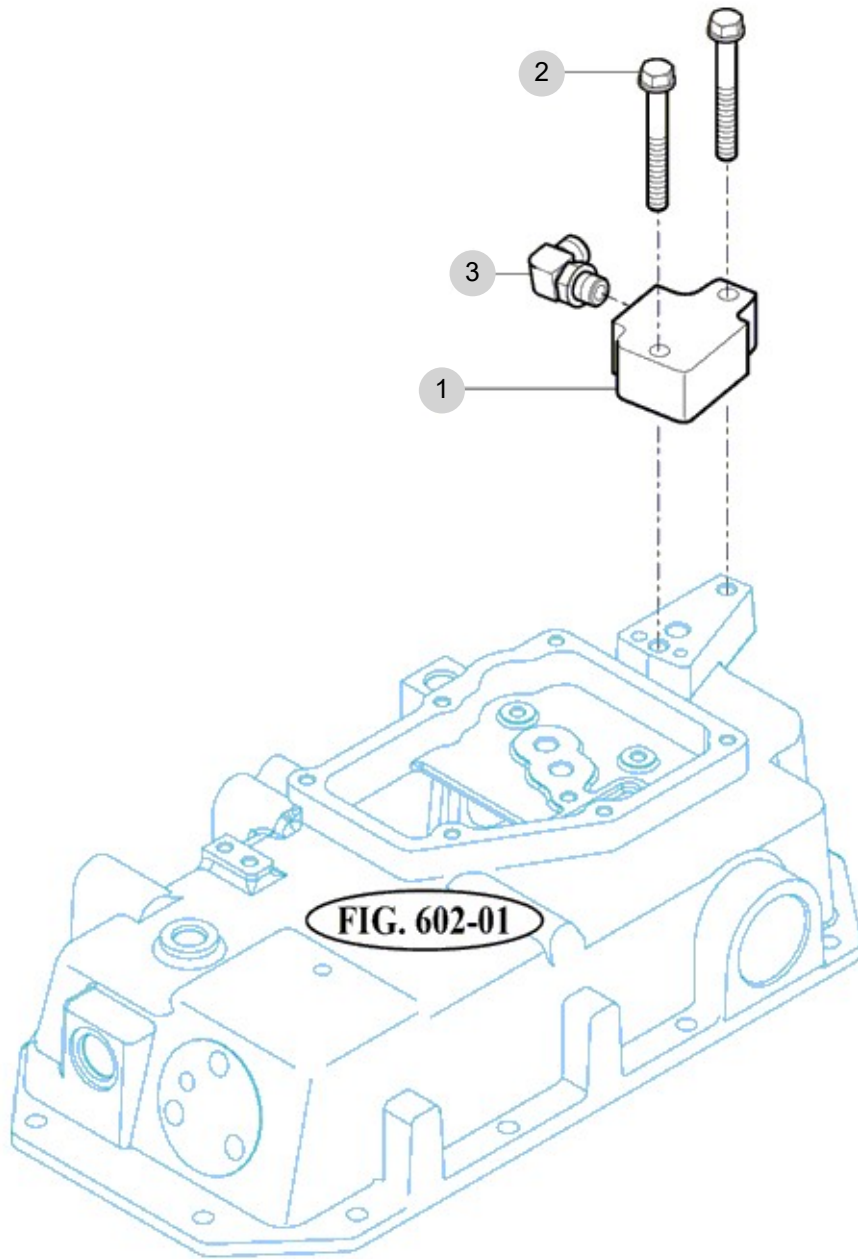


FIG. 602-01

T303/353NC-E-611

NOTE

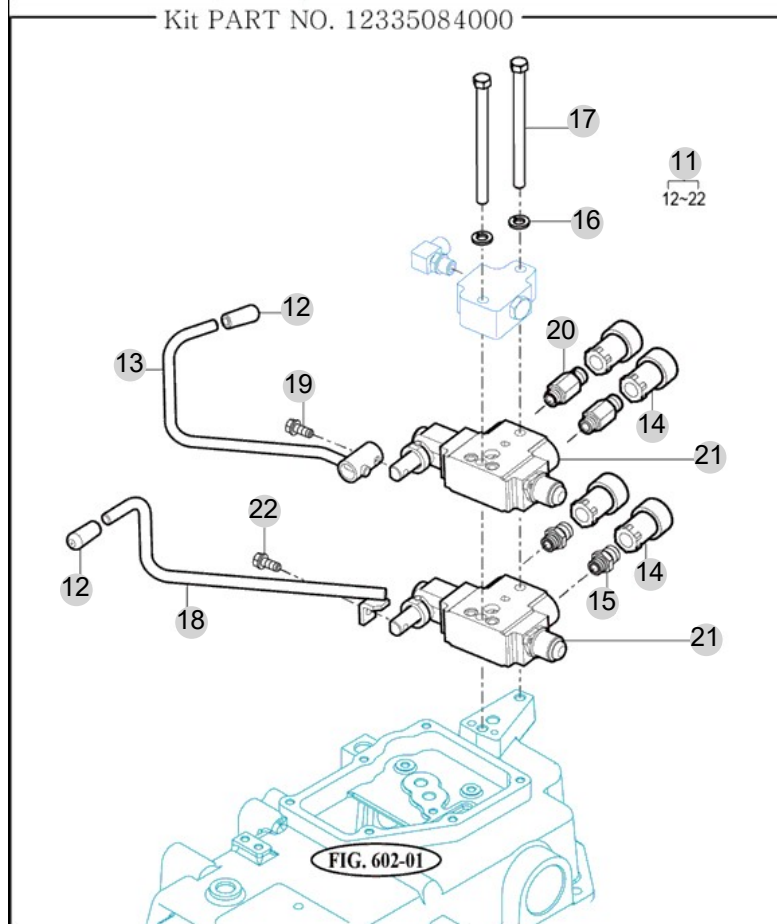
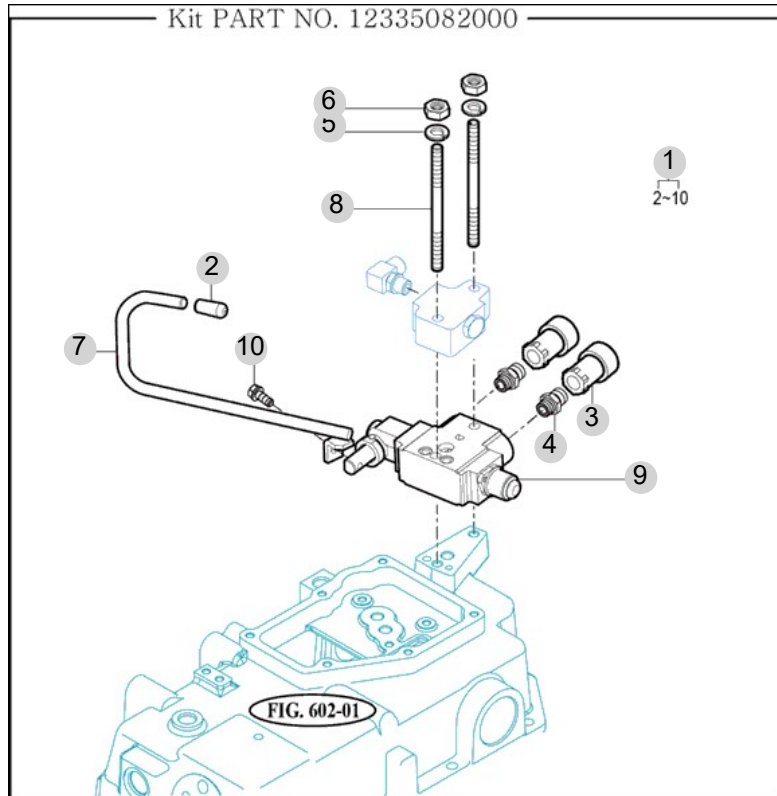
FIG 611-2

T394NC

VALVE KIT

년/월
Year/Month

2022-12



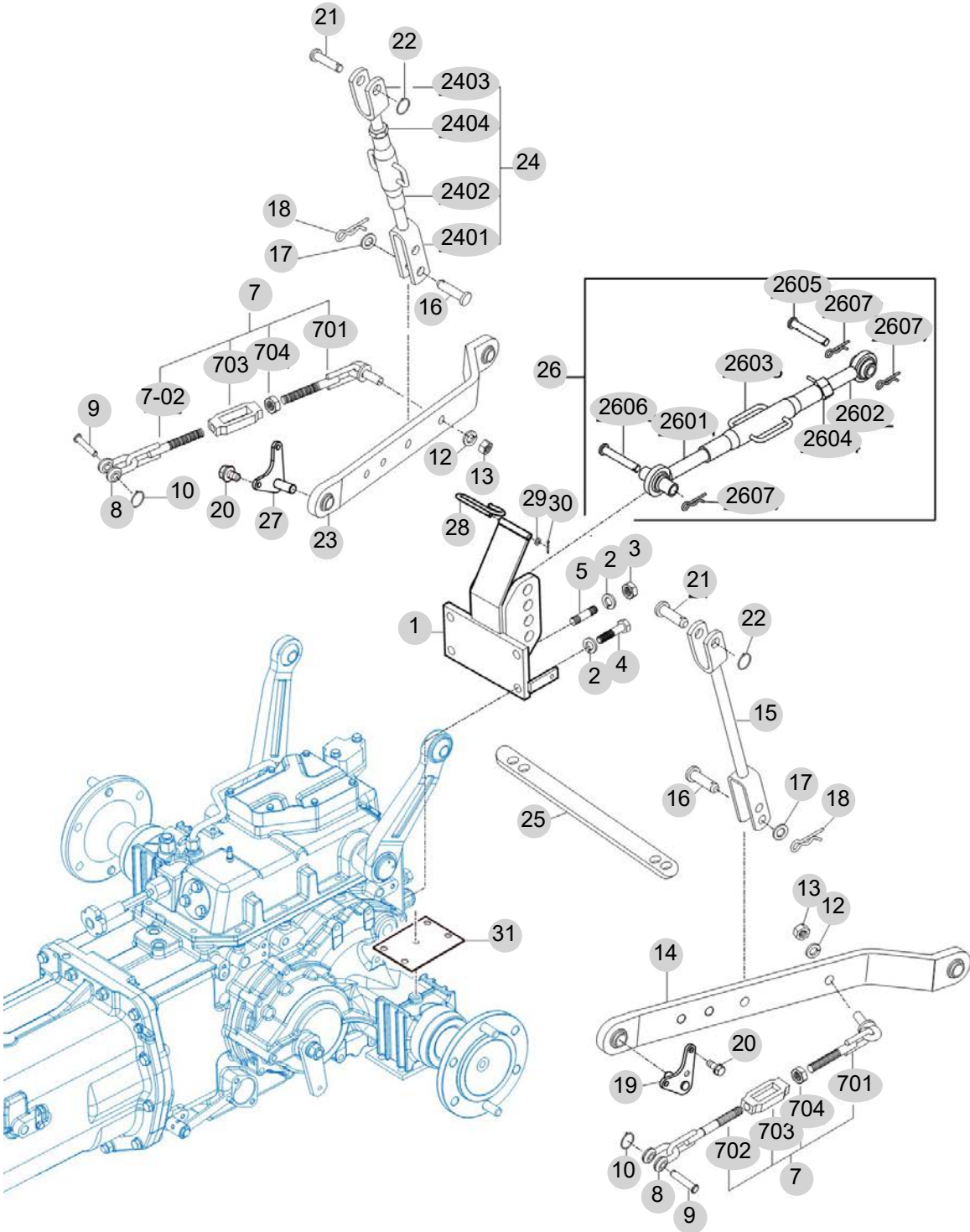
NOTE

FIG 612

3-POINT LINK

년/월
Year/Month

2022-12



2545ST-K-612

NOTE

FIG 612		3-POINT LINK						년/월	REMARKS
								Year/Month	
T394NC		2022-12							
KEY NO	PART NO	DESCRIPTION	SPEC	QTY	REPAIR	EFFECTIVE DATE			
612	1	16703172002GB	BRACKET COMP , TOP LINK	1X1X1	1				
612	2	V4011600140	WASHER , SPRING	M14	4				
612	3	V3043600140	NUT , HEX/2	M14	2				
612	4	V2014614035	BOLT , HEX	M14X35	2				
612	5	V2514414030	BOLT , STUD/2	M14X30	2				
612	7	16705142501	CHAIN ASSY , CHECK	1X1X1	2				
612	701	16705244100	CHAIN COMP , LH CHECK	1X1X1	2				
612	702	16705142800	CHAIN COMP , RH CHECK	1X1X1	2				
612	703	16705142510M	TURNBUCKLE		2				
612	704	V3043600160	NUT , HEX/2	M14	2				
612	8	16705142520	SHACKLE , CHECK CHAIN	1X1X1	2				
612	9	79636110030	PIN , 12X48	D=12	2				
612	10	16735240060	Spring		2				
612	12	V4011600160	WASHER , SPRING	M16	2				
612	13	V3013600160	NUT , HEX/2	M16	2				
612	14	16705142001GB	LINK COMP , LH LOW	1X1X1	1				
612	15	16705142400GB	ROD COMP , LH LIFT	1X1X1	1				
612	16	79636130050	PIN , 16X60	D=16	2				
612	17	V4111600160	WASHER , PLAIN	M16	2				
612	18	13059310030	PIN	D=2.3	2				
612	19	12385142200	PIN COMP , LH		2				
612	20	V2173612030	BOLT , HEX/S	M12X30	4				
612	21	16705020050	PIN , 19X69	19X75X26	2				
612	22	16735240060	Spring	D48	2				
612	23	16705142101GB	LINK COMP , RH LOW	1X1X1	1				
612	24	16705145000GB	ROD ASSY , RH LIFT	1X1X1	1				
612	2401	16705145200	FORK COMP , LOW	1X1X1	1				
612	2402	16705145100	SLIP COMP	1X1X1	1				
612	2403	16705145300	FORK COMP , UPR	1X1X1	1				
612	2404	V3023600220	NUT , HEX/3		1				
612	25	15605250030	BAND , 470	25X520XT6	1				
612	26	16505245501GB	LINK ASSY , TOP LINK		1				
612	26	16505245502GB	TOP LINK ASSY		1				
612	2601	16505245510	LINK COMP , RH TOP LINK	1X1X1	1				
612	2602	16505245520	LINK COMP , LH TOP LINK	1X1X1	1				
612	2603	14555140251	TURNBUCKLE COMP		1				
612	2604	16505245530	NUT , HEX	1X1X1	1				
612	2605	15645220020	PIN , 19X95	D=19	1				
612	2606	15645220011	PIN , 19X86	D=19	1				
612	2607	14445140051	PIN , 19	D=4.5	2				
612	27	12385142300	PIN COMP , RH		1				
612	31	13017020040GB	PLATE , W/O ROPS	1X1X1	2				
NOTE									

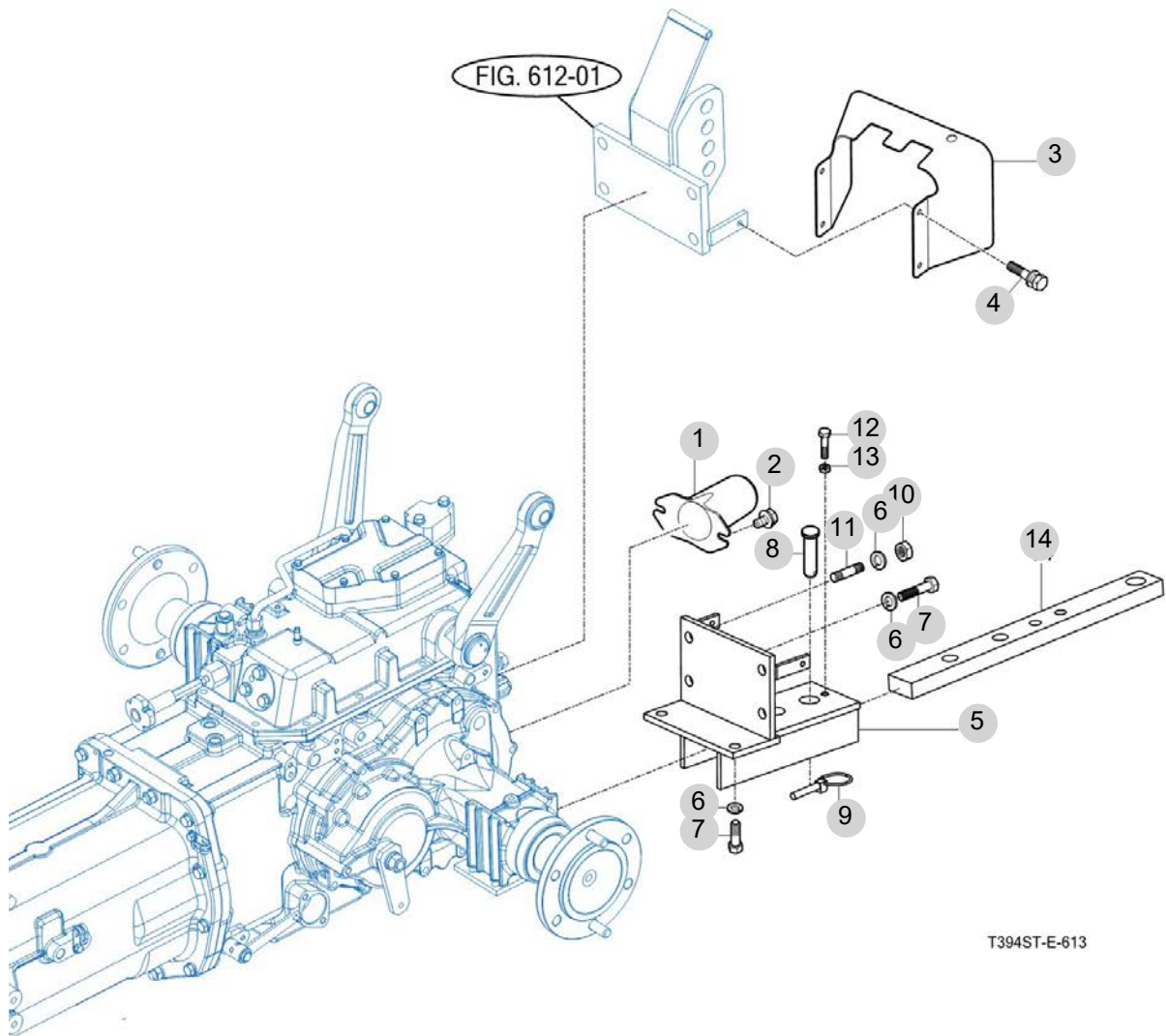
FIG 613

T394NC

HITCH & COVER

년/월
Year/Month

2022-12



NOTE

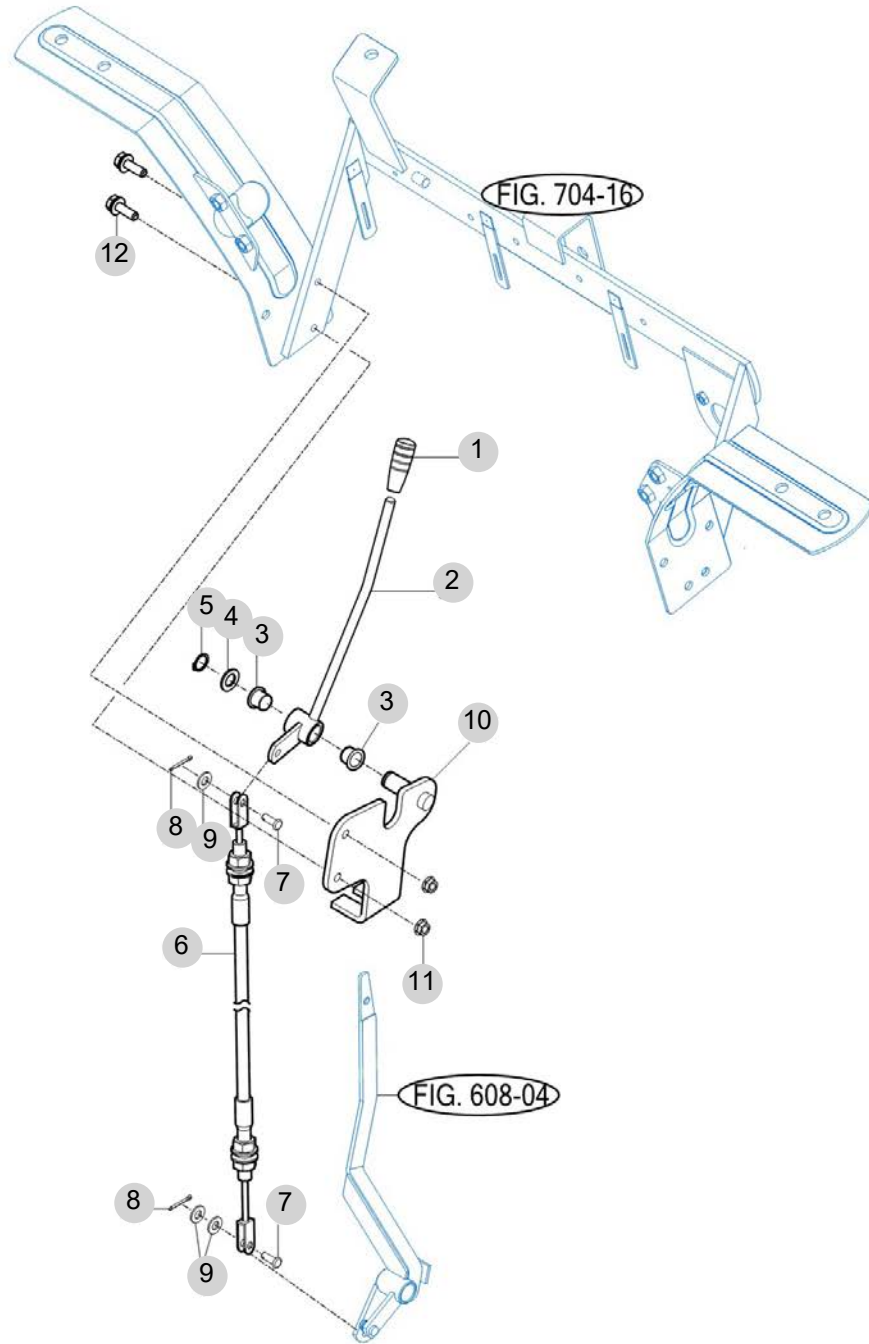
FIG 614

T394NC

EXTERIOR POSITION LEVER

년/월
Year/Month

2022-12



NOTE

7. Sheet Metal & Cabin PART NO. T7

FIG 701 HOOD (1)	161
FIG 702 BONNET	163
FIG 704 FENDER & REAR FRAME	166
FIG 705 DASH PANEL	169
FIG 706 FLOOR PANEL	171
FIG 707 SEAT	173
FIG 708 FRONT & REAR MOUNTING	175
FIG 709 ROPS	177

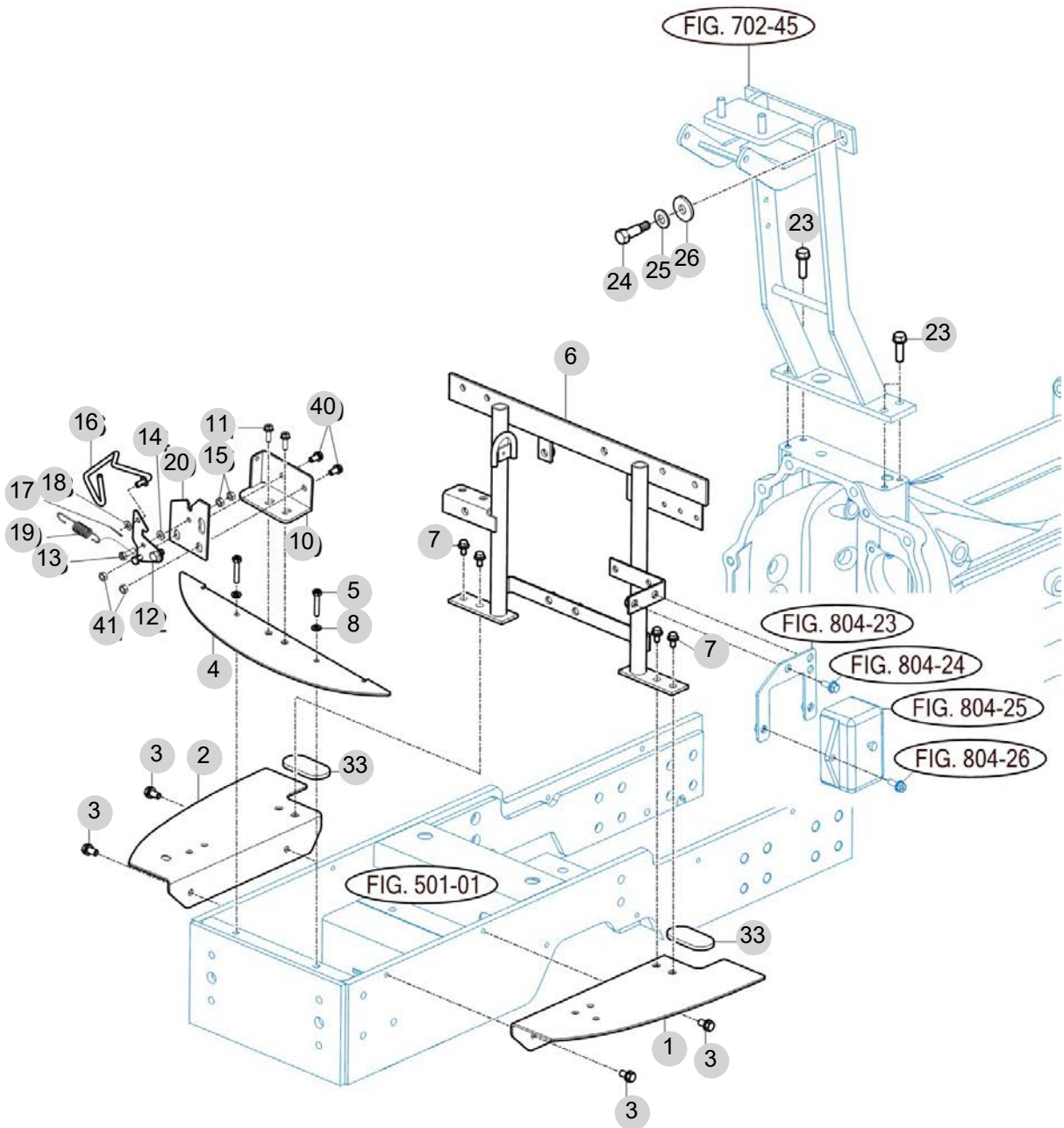
FIG 701

T394NC

HOOD (1)

년/월
Year/Month

2022-12



NOTE

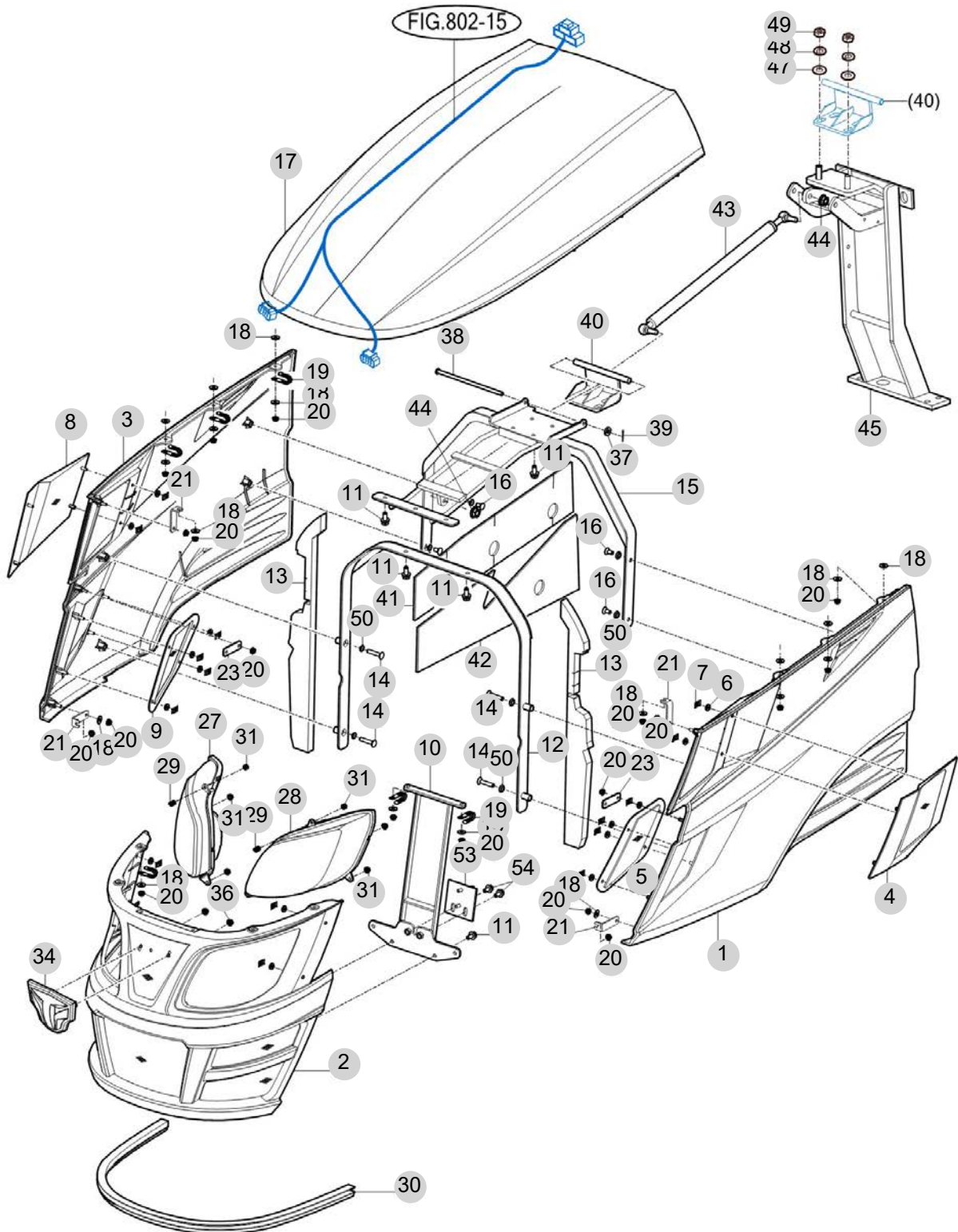
FIG 702

BONNET

년/월
Year/Month

T394NC

2022-12



NOTE

FIG 702		BONNET					년/월	
							Year/Month	
T394NC		2022-12						
KEY NO	PART NO	DESCRIPTION	SPEC	QTY	REPAIR	EFFECTIVE DATE	REMARKS	
702	1	17406203302SR	COVER COMP , SIDE/LH		1			
702	1	17406203303SR	COVER COMP , SIDE/LH		1			
702	2	17406203201GB	GRILLE COMP		1			
702	3	17406203402SR	COVER COMP , SIDE/RH		1			
702	3	17406203403SR	COVER COMP , SIDE/RH		1			
702	4	17406203500GB	NET , UPR/LH		1			
702	5	17406203600GB	NET , LOW/LH		1			
702	6	14446010150	WASHER , NET		16			
702	7	V3501600060	NUT , PUSH-ON SPRING		16			
702	8	17406203700GB	NET , UPR/RH		1			
702	9	17406203800GB	NET , LOW/RH		1			
702	10	17406202500GB	Pin COMP , HOODLOCK		1			
702	10	18366202500GB	PIN COMP , HOOD LOCK		1			
702	11	V2183608020	BOLT , HEX/SP		13			
702	12	17406202300GB	FRAME COMP , HOOD/FR		1			
702	13	17406202430	INSULATOR , SIDE FR		2			
702	14	V1122608040	SCREW , C/R FLAT		4			
702	15	17406202700GB	FRAME COMP , HOOD/RR		1			
702	15	10536202700GB	FRAME COMP , HOOD/RR		1			
702	15	10536202701GB	FRAME COMP , HOOD/RR		1			
702	15	10536202702GB	FRAME COMP , HOOD/RR		1			
702	16	V1122608016	SCREW , C/R FLAT		4			
702	17	17406203101SR	HOOD COMP		1			
702	17	17406203102SR	HOOD COMP		1			
702	17	17406203103SR	HOOD COMP		1			
702	18	35605033020	WASHER , WIRE WITHDRAWAL		22			
702	19	37371720090	CLAMP , W/HARNESS		6			
702	20	V3802600060	NUT , HEX FLANGE	M6	24			
702	21	17406203010GB	PLATE , UPR/SIDE		4			
702	21	17406203011GB	PLATE , UPR/SIDE		4			
702	21	17406203010GB	PLATE , UPR/SIDE		4			
702	23	17406203020GB	PLATE , MID/SIDE		2			
702	27	17406525001	HEAD LAMP ASSY , RH		1			
702	27	17406525002	HEAD LAMP ASSY , RH		1			
702	28	17406524001	HEAD LAMP ASSY , LH		1			
702	28	17406524002	HEAD LAMP ASSY , LH		1			
702	29	36108010080	SPRING , ENTRANCE FOR SEED(HC016)		2			
702	30	17406203900	INSULATOR , HOOD		1			
702	31	19027210060	NUT , NYLON , M6		6			
702	34	17406212100GB	ADAPTOR COMP , V5		1			
702	36	V3802600060	NUT , HEX FLANGE	M6	2			
702	37	V4111600080	WASHER , PLAIN	M8	1			
702	38	13016202060	PIN , HOOD		1			
702	39	V5001925020	PIN D2.5x20		1			
702	40	13016202803GB	PLATE COMP , HOOD HINGE		1			
NOTE								

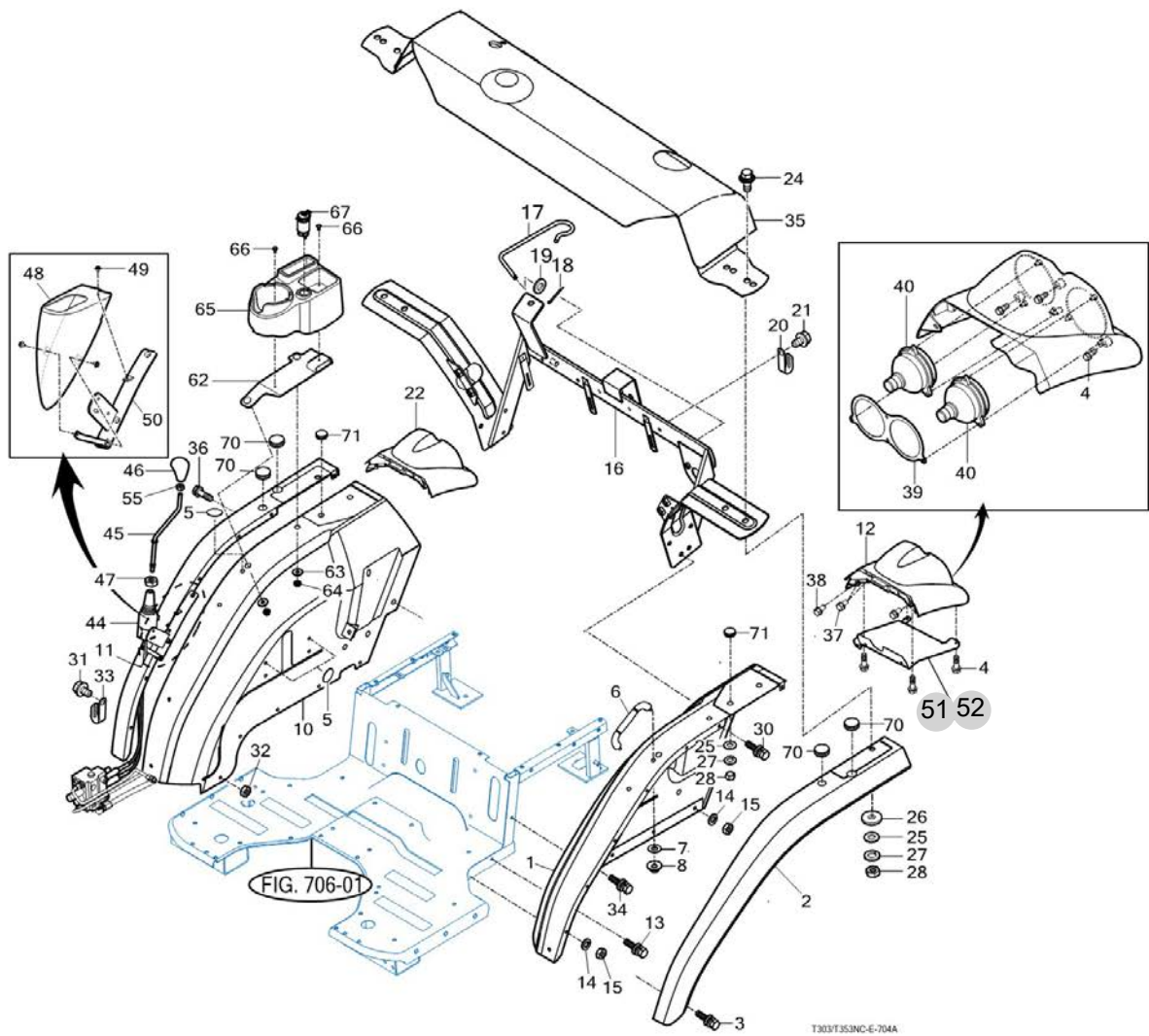
FIG 704

T394NC

FENDER & REAR FRAME

년/월
Year/Month

2022-12



NOTE

FIG 704		FENDER & REAR FRAME					년/월 Year/Month		
							2022-12		
T394NC		KEY NO	PART NO	DESCRIPTION	SPEC	QTY	REPAIR	EFFECTIVE DATE	REMARKS
704	1	14726063502SR	FENDER COMP , LH	1X1X1	1				
704	2	12656060041SR	FENDER , LH		1				
704	3	V2193606016	BOLT , HEX/SPL	M6X16	12				
704	4	V2123606012	BOLT , HEX /SP	M6X12	14				
704	5	16606070031	CAP , 9		10				
704	6	14726071100	GRIP COMP	1X1X1	1				
704	7	35602010150	WASHER , BIND SHAFT	T=2.3	4				
704	8	V3802600080	NUT , HEX FLANGE	M8	4				
704	10	14726063602SR	FENDER COMP , RH	1X1X1	1				
704	11	10526060020SR	FENDER , RH MUD GUIDE		1				
704	11	10526060021SR	FENDER , RH MUD GUIDE		1				
704	12	13016060020	COVER ,LH RR LAMP	1X1X1	1				
704	13	V2183608020	BOLT , HEX/SP	M8X20	8				
704	14	V4011600080	WASHER , SPRING	M8	4				
704	15	V3042600080	NUT , HEX/2	M8	4				
704	16	14977035400SR	FRAME COMP , RR FUEL TANK	1X1X1	1				
704	17	14885251100	HOOK , TOPLINK	D=5	1				
704	18	V5001920015	PIN , SPLIT	2X15	1				
704	19	V4111600060	WASHER , PLAIN	M6	1				
704	20	14256210040	CLAMP , 9		1				
704	21	V2123606012	BOLT , HEX /SP	M6X12	1				
704	22	13016060030	COVER , RH RR LAMP	1X1X1	1				
704	24	V2173612035	BOLT , HEX/S	M12X35	4				
704	25	V4111600120	WASHER , PLAIN	M12	5				
704	26	36217020030	WASHER , PULLEY	T=4.5	4				
704	27	V4011600120	WASHER , SPRING	M12	5				
704	28	V3043600120	NUT , HEX/2	M12	5				
704	30	V2183608020	BOLT , HEX/SP	M8X20	4				
704	31	V2183608020	BOLT , HEX/SP	M8X20	1				
704	32	V3042600080	NUT , HEX/2	M8	1				
704	33	14256210040	CLAMP , 9		1				
704	34	V2183608035	BOLT , HEX/SP	M8X35	2				
704	35	14777036302SR	COVER COMP , TANK	1X1X1	1				
704	35	14777036303SR	COVER COMP , TANK		1				
704	36	V2183610020	BOLT , HEX/SP	M10X20	2				
704	37	V2323606016	BOLT , C/R HEX/SP	M6X16	6				
704	38	V2193606020	BOLT , HEX/SPL	M6X20	2				
704	39	13016061300	FIX PLATE , RR LAMP	T=1.6	2				
704	40	17687023401	LAMP ASSY . STOP		4				
704	40	17687023401	LAMP ASSY . STOP	1X1X1	2				
704	44	13015504005	JOYSTICK ASSY , LOADER VV		1				
704	45	12396013900GB	LEVER COMP . JOYSTICK		1				
704	46	19027750021	GRIP COMP , JOYSTICK	1X1X1	1				
704	47	V3302600140	NUT , HEX FINE/2	M14	1				
704	48	14726063502SR	FENDER COMP , LH	1X1X1	1				
NOTE									

FIG 704		FENDER & REAR FRAME						년/월 Year/Month
								2022-12
T394NC								
KEY NO	PART NO	DESCRIPTION	SPEC	QTY	REPAIR	EFFECTIVE DATE	REMARKS	
704	49	V2193606016	BOLT , HEX/SPL	M6X16	3			
704	50	13015302200SR	BRACKET COMP , JOYSTICK	1X1X1	1			
704	51	13016062000GB	PLATE COMP , LH RR LAMPCOVER	T=1.6	1			
704	52	13016063000GB	PLATE COMP , RH RR LAMPCOVER	T=1.6	1			
704	55	V3343600100	NUT , HEX FINE/2	M10	1			
704	62	11336640100SR	BRACKET COMP , CUP HOLDER		1			
704	62	11336640101SR	BRACKET COMP , CUP HOLDER		1			
704	63	35602010150	WASHER , BIND SHAFT	T=2.3	2			
704	64	V3802600080	NUT , HEX FLANGE	M8	2			
704	65	10536082120NG	CUP HOLDER , A		1			
704	66	V1112605012	SCREW , C/R PAN	M5X12	2			
704	67	10037018500	SOCKET ASSY , POWER		1			
704	70	16606510210	CAP , RUBBER 30		4			
704	71	14326510210	CAP , RUBBER 20		2			
NOTE								

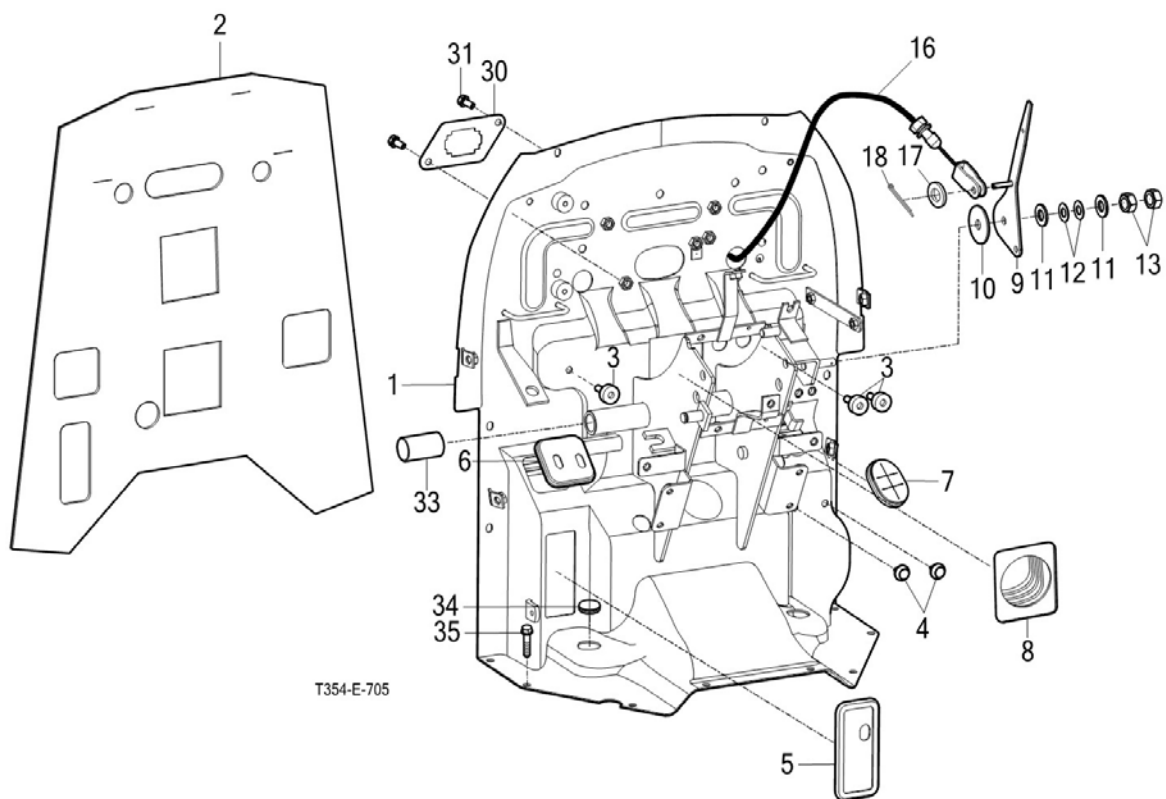
FIG 705

T394NC

DASHBOARD

년/월
Year/Month

2022-12



NOTE

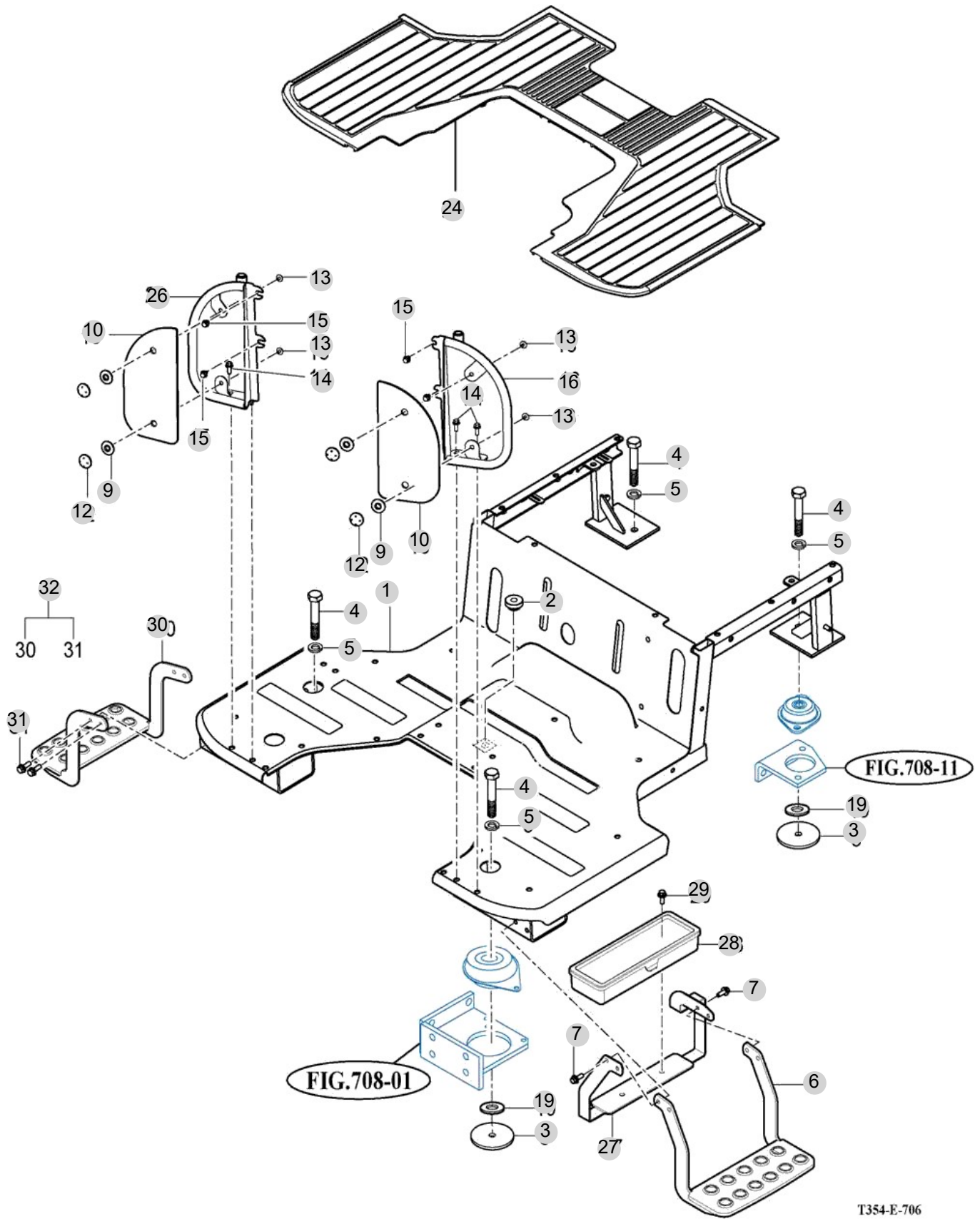
FIG 706

FLOOR PANEL

년/월
Year/Month

T394NC

2022-12



NOTE

T354-E-706

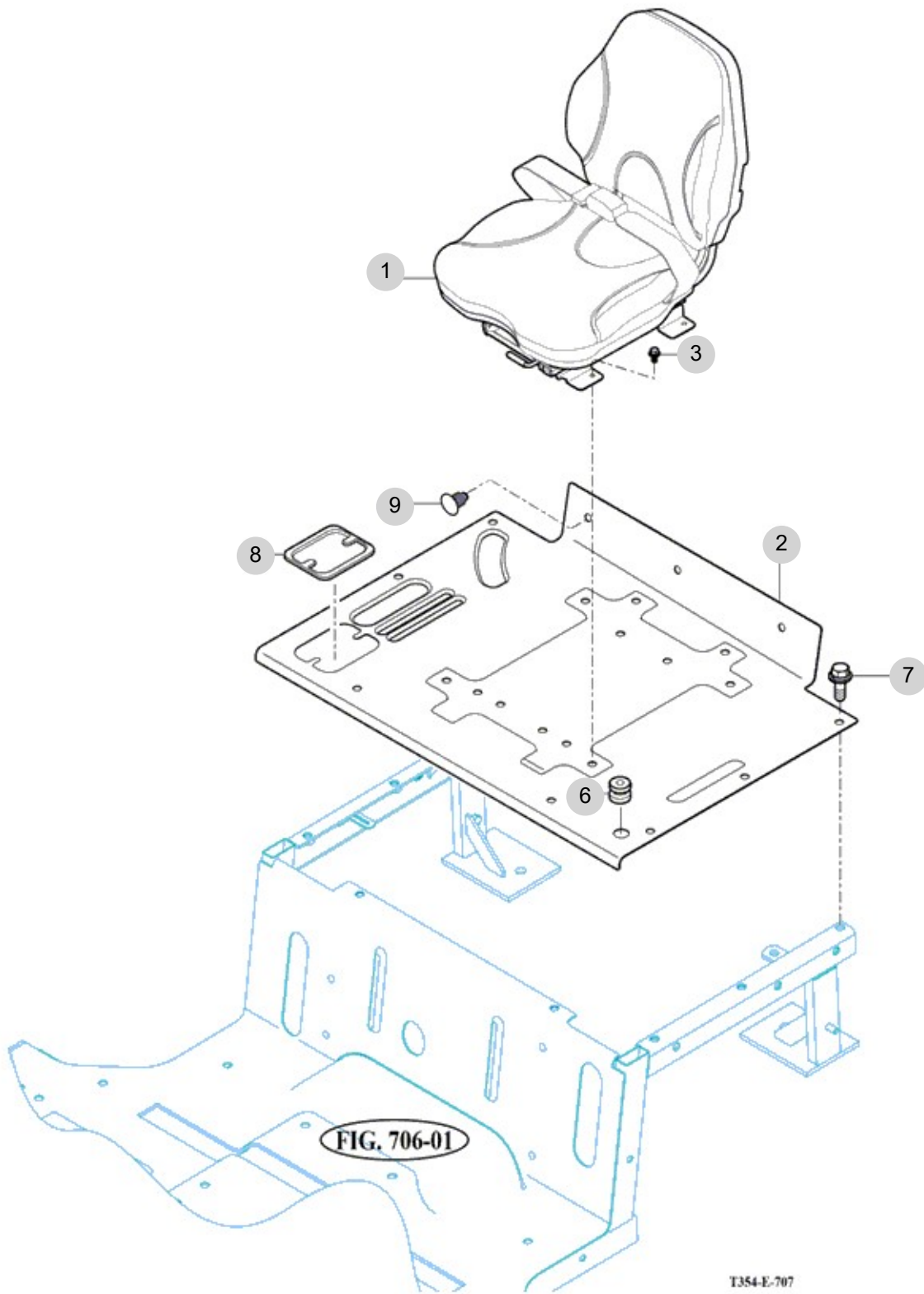
FIG 707

T394NC

SEAT

년/월
Year/Month

2022-12



NOTE

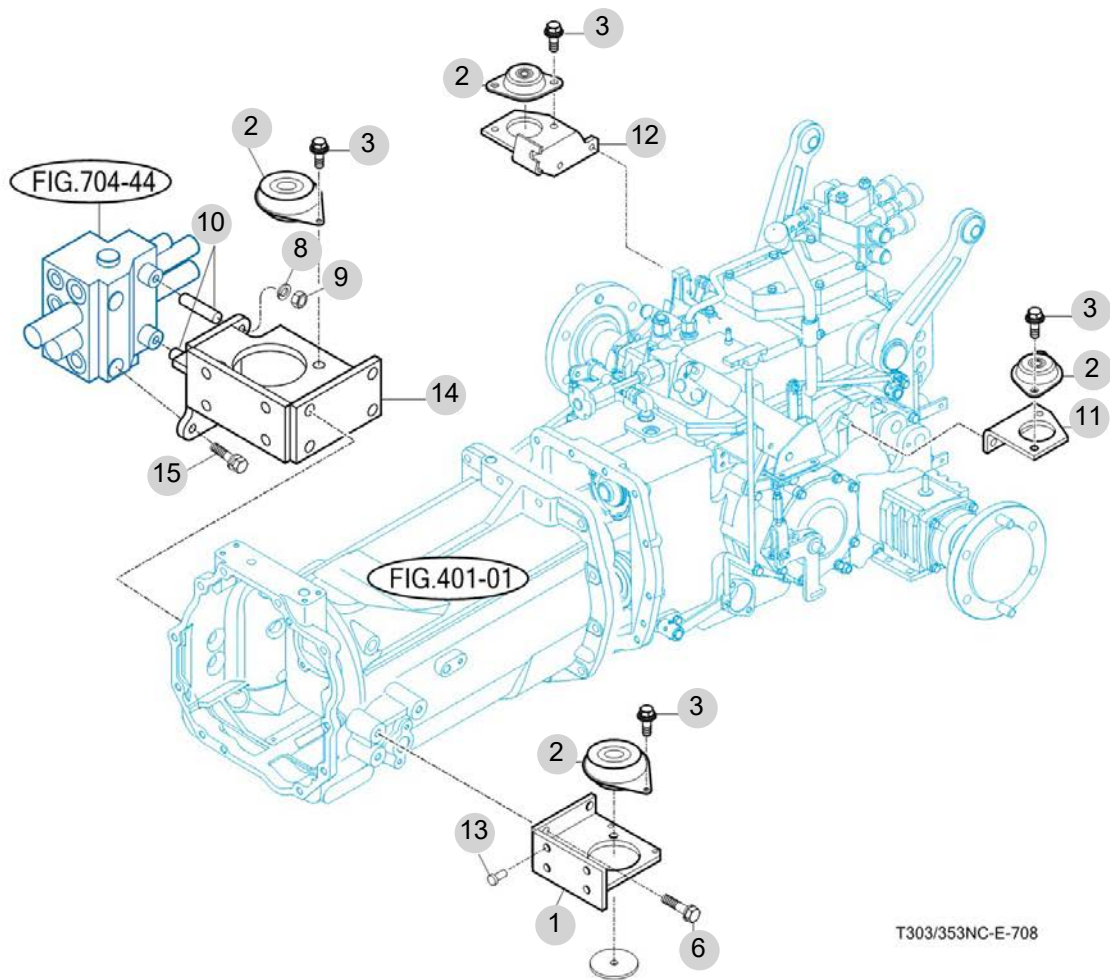
FIG 708

T394NC

FRONT & REAR MOUNTING

년/월
Year/Month

2022-12



T303/353NC-E-708

NOTE

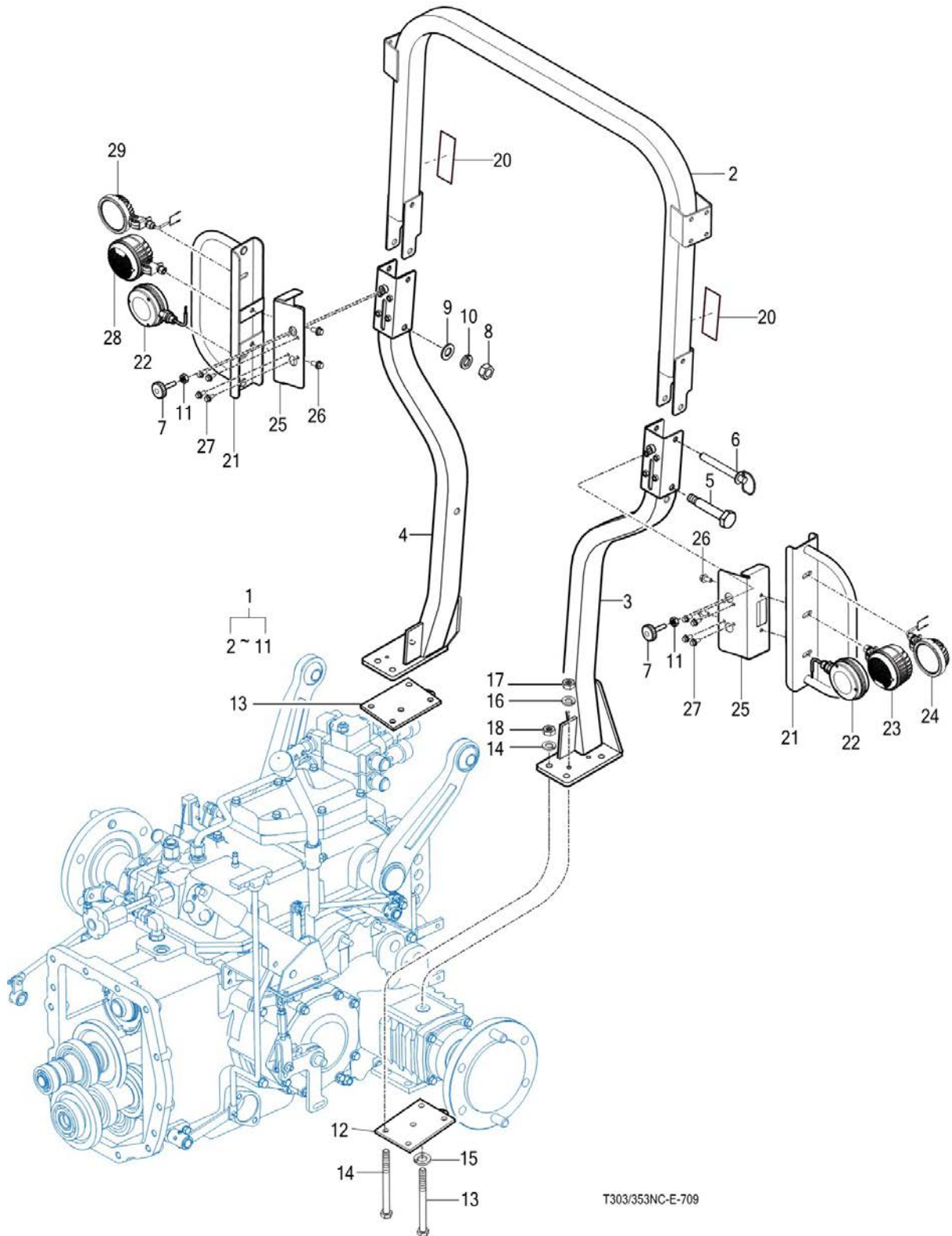
FIG 709

T394NC

ROPS

년/월
Year/Month

2022-12



T303/353NC-E-709

NOTE

8. Electrical System PART NO. T8

FIG 801 BATTERY & MOUNTING	180
FIG 802 LAMP	182
FIG 803 INSTRUMENT PANEL	184
FIG 804 ELECTRIC SYSTEM	186
FIG 805 HARNESS (1)	188
FIG 806 HARNESS (2)	190

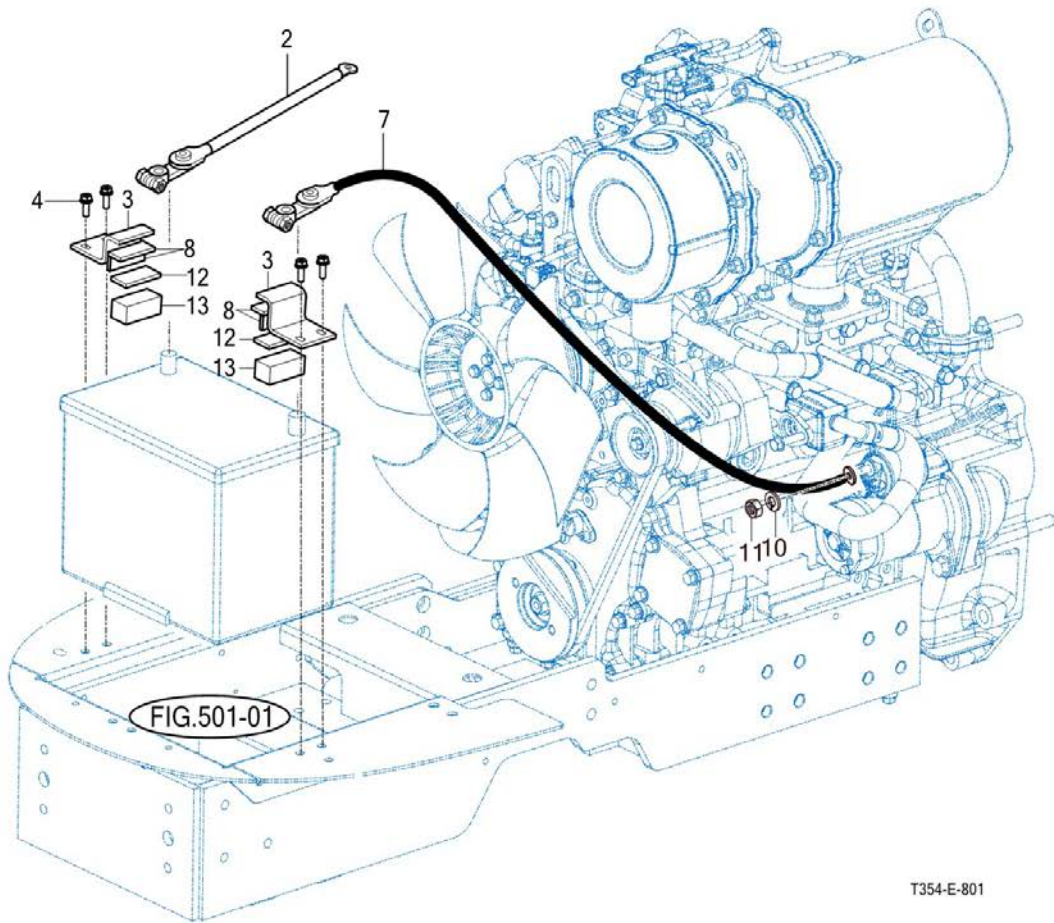
FIG 801

T394NC

BATTERY & MOUNTING

년/월
Year/Month

2022-12



NOTE

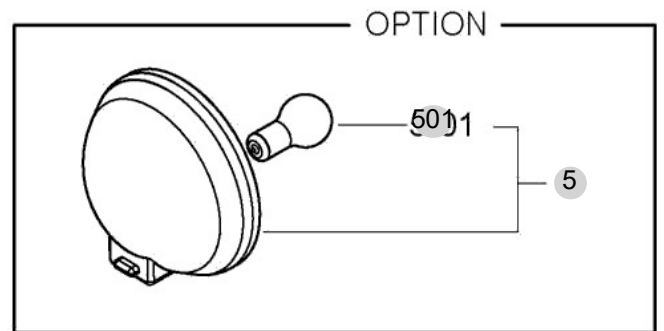
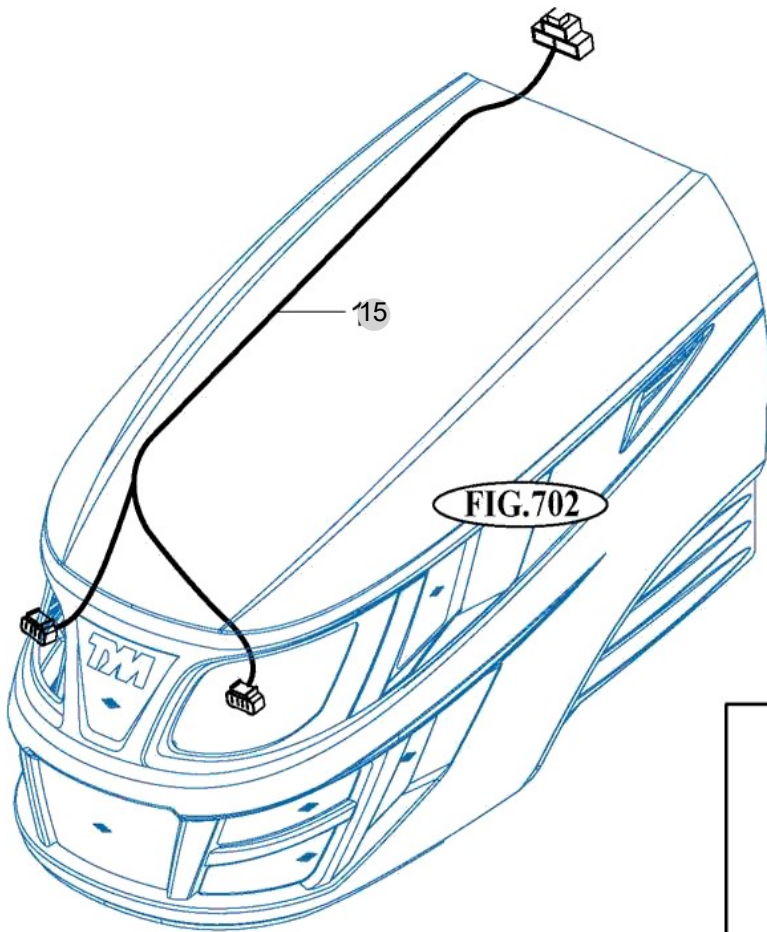
FIG 802

T394NC

LAMP

년/월
Year/Month

2022-12



NOTE

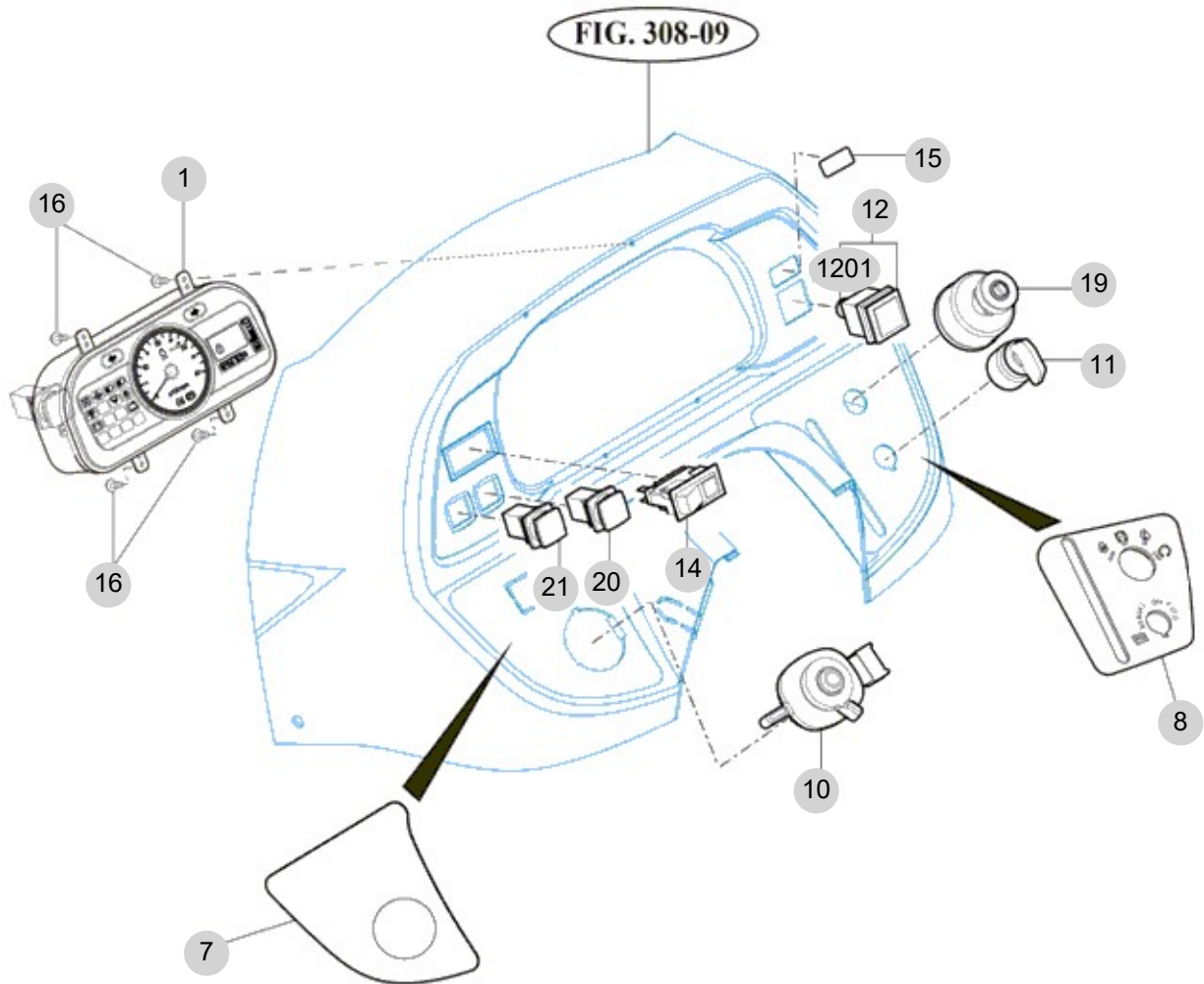
FIG 803

T394NC

INSTRUMENT PANEL

년/월
Year/Month

2022-12



T354-E-803

NOTE

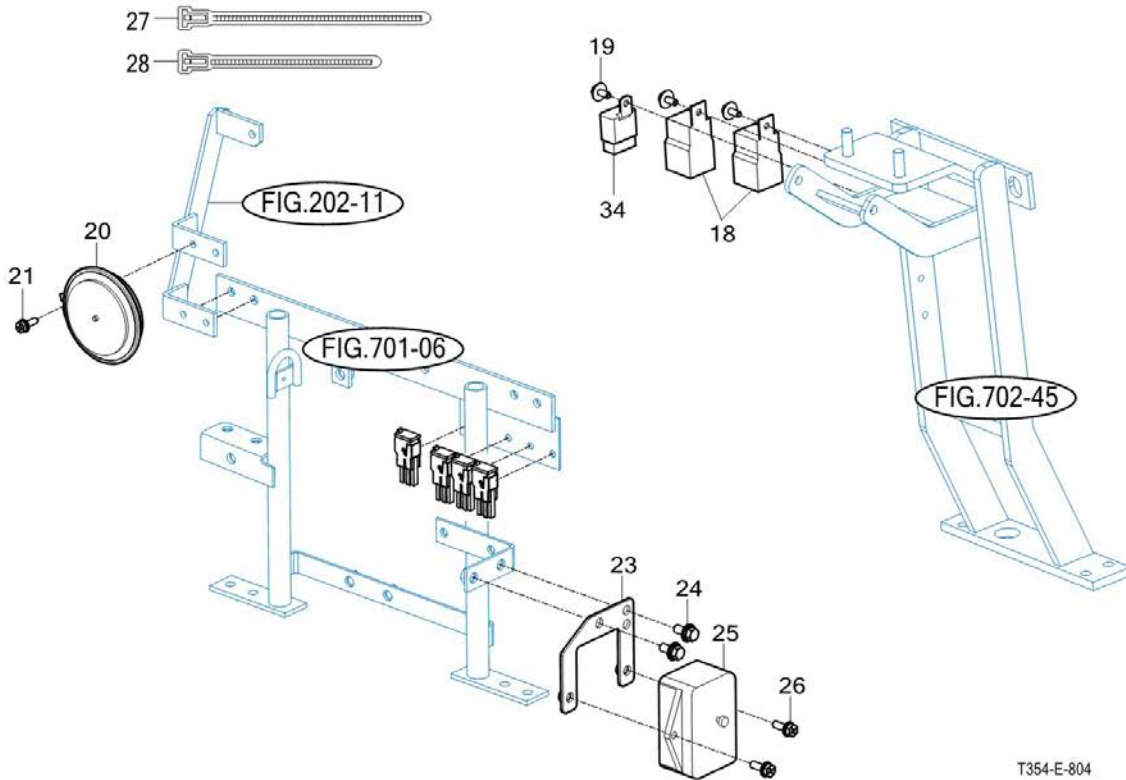
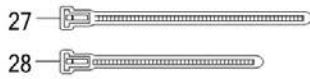
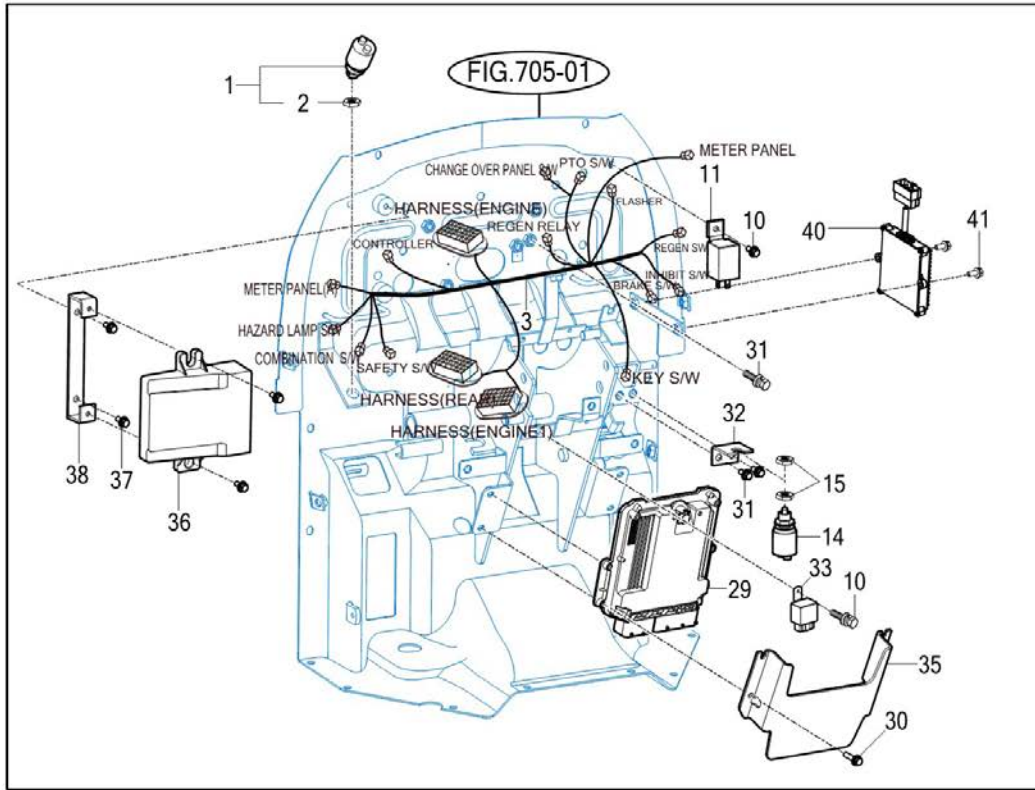
FIG 804

T394NC

ELECTRIC SYSTEM

년/월
Year/Month

2022-12



T354-E-804

NOTE

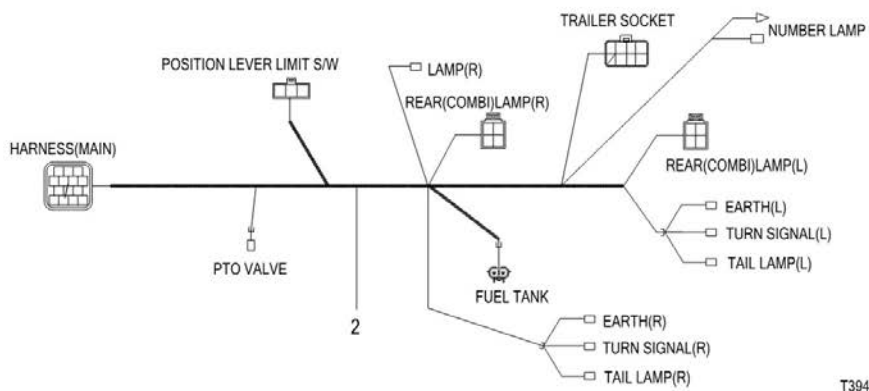
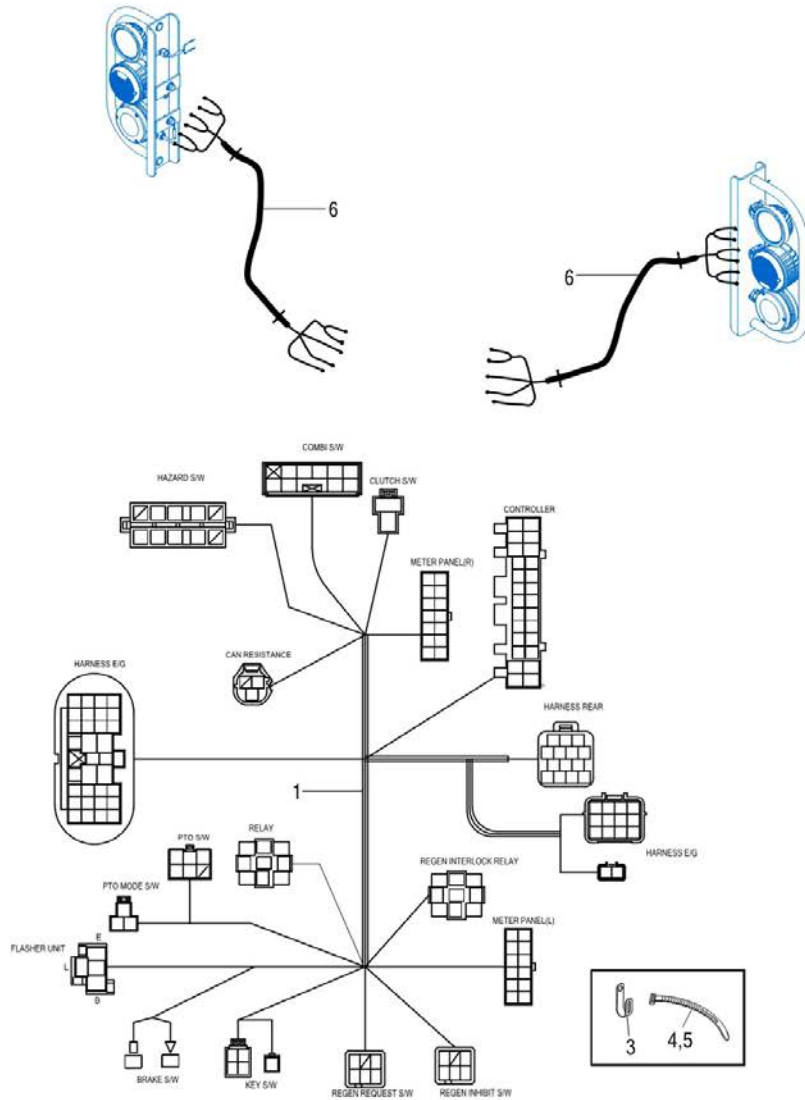
FIG 805

T394NC

HARNESS (1)

년/월
Year/Month

2022-12



T394NC-E-805

NOTE

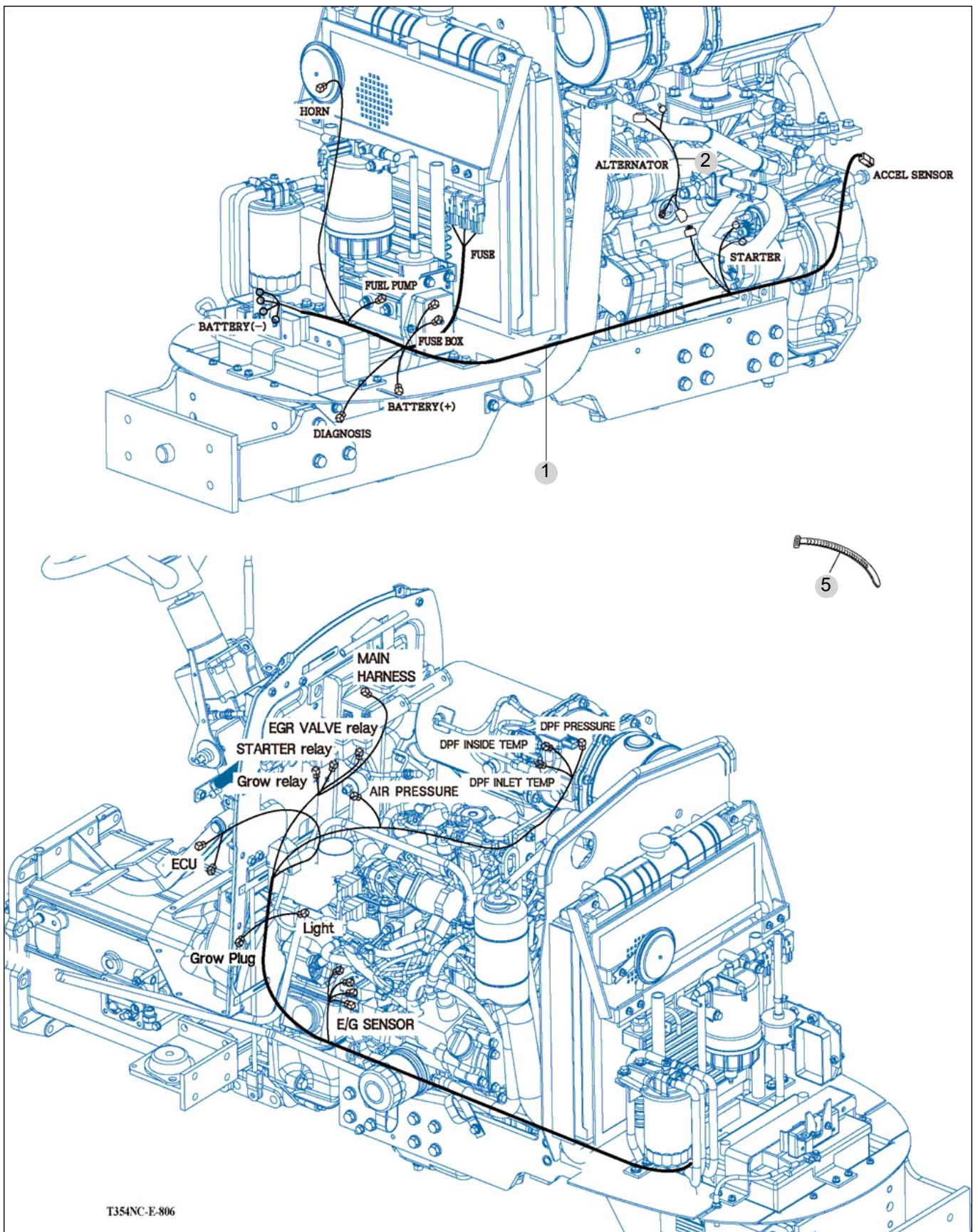
FIG 806

HARNES (2)

년/월
Year/Month

T394NC

2022-12



T354NC-E-806

NOTE

9. Label/Option PART NO. T9

FIG 901 WEIGHT(OPTION)	193
FIG 902 TOOL & ACCESSORY	195
FIG 903 LABEL	197
FIG 903-2 LABEL	199

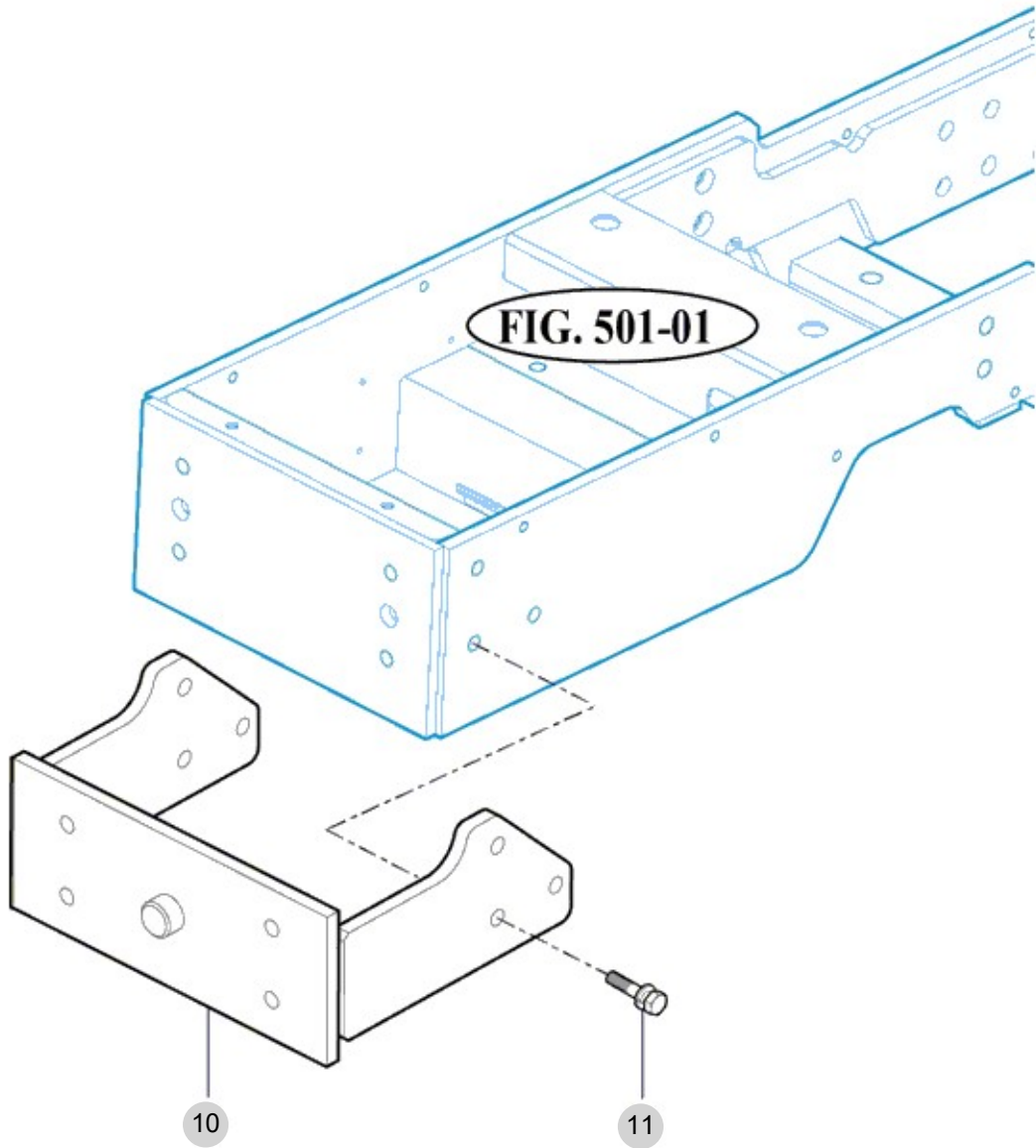
FIG 901

T394NC

WEIGHT(OPTION)

년/월
Year/Month

2022-12



T354-E-901

NOTE

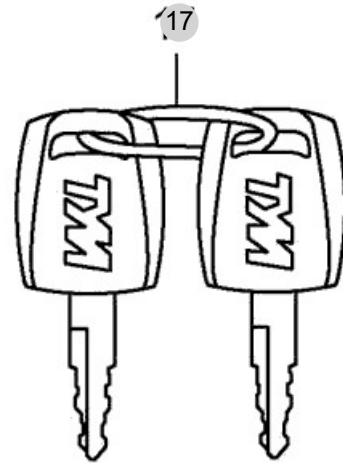
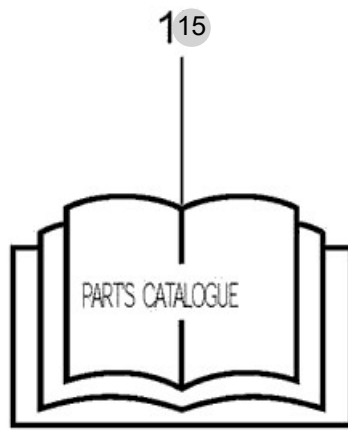
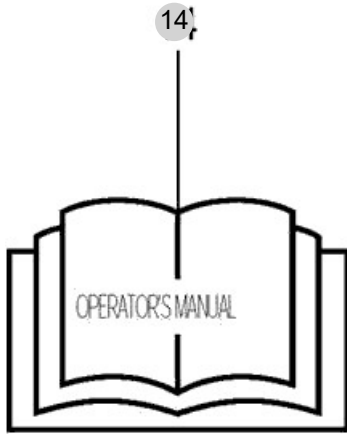
FIG 902

T394NC

TOOL & ACCESSORY

년/월
Year/Month

2022-12



T354-E-902

NOTE

FIG 903

LABEL

년/월
Year/Month

T394NC

2022-12

WARNING
 Death or injury may result if this tractor over turns with the ROPS in the folded down position. Operate this tractor with the ROPS folded down only when necessary. Do not wear seat belt if operated with ROPS folded down.
 1220-904-002-0

35

DANGER
 This Tractor may tip over unexpectedly and quicker than an operator is able to jump free.
 1. Never operate a tractor without a proper Roll over Protection Structure. (ROPS)
 2. Always wear your seat belt when operating this tractor equipped with roll over protection.
 3. Never pull from above or from the rear axle.
 4. Do not operate the tractor on steep slopes or near drop offs.
 5. Avoid sharp high speed turns. Serious injury or death may result from tractor upsets.
 1225-904-001-0

36

SPEED TABLES

APPLICATION	TRACTOR	PLANTER	BATA	PLANT	ROWER	BLADE	WALK
TRUCK	0	1	2	3	4	5	10
TRUCK	0	1	2	3	4	5	10
TRUCK	0	1	2	3	4	5	10
TRUCK	0	1	2	3	4	5	10
TRUCK	0	1	2	3	4	5	10
TRUCK	0	1	2	3	4	5	10
TRUCK	0	1	2	3	4	5	10
TRUCK	0	1	2	3	4	5	10
TRUCK	0	1	2	3	4	5	10
TRUCK	0	1	2	3	4	5	10

1. The proper driving speed and PTO RPM depend on the type of work, tire and ground condition.
 For your safety, operate the tractor at the suitable speed.

2

CAUTION
 Do not touch while the system is hot. It cause serious burns.
 1200-910-024-0

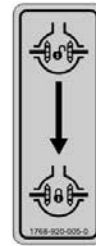
11

WARNING
 Do not use the sub shift lever at "H" position when driving backward.
 1200-910-010-0

11

DANGER
 Do not ride except operator.
 1200-910-010-0

13



18



21



27

WARNING
 Additions, alterations, cracking, damage or corrosion to this structure may adversely affect the performance of the ROPS.
 1200-910-003-0

46

WARNING
 Work in ventilated Area.
 1200-910-003-0

12



24



03



41



50

T394

29



60

WARNING
 Always fasten Your seat belt.
 1200-910-010-0

15

WARNING
 Never use the diff-lock at high speed or on the road as this can cause rollover and injury.
 1200-910-005-0

19

WARNING
 Do not remove radiator cap while engine is hot. Hot steam will injure you.
 1200-910-015-0

8

WARNING
 Start engine only from operator seat. If safety start switch is by passed engine can start with transmission in gear.
 Do not connect or short across terminal on starter solenoid.
 Attach booster cables as shown on battery decal and operators manual.
 Starting in gear causing runaway can result in serious injury.
 1200-910-009-0

44

WARNING
 Push the button to lock position with joystick lever is neutral whenever the implement is not operation.
 1200-910-009-0

37

EPA REGULATION
 USE ULTRA LOW SULFUR FUEL ONLY

48

WARNING
 Stay clear of raised Boom and bucket.
 1200-910-009-0

38

CAUTION
 Keep hands and clothing away from rotating fan and belts to prevent serious injury.
 1200-910-015-0

7

NOTE

FIG 903		LABEL					년/월 Year/Month	
							2022-12	
T394NC								
KEY NO	PART NO	DESCRIPTION	SPEC	QTY	REPAIR	EFFECTIVE DATE	REMARKS	
903	1	14726400010	SEAL , HANDBRAKE		1			
903	2	12339040020	LABEL , SPEED		1			
903	3	12009040041	LABEL , HYDRAULIC CONTROL		1			
903	4	12009100080	LABEL , WARNING TILTING		1			
903	5	12009100240	LABEL , CAUTION MUFFLER		1			
903	6	12009100020	LABEL , WARNING PARKING		1			
903	7	12009100120	LABEL , CAUTION FAN		1			
903	8	12009100150	LABEL , WARNING RADIATOR		1			
903	9	12009100230	LABEL , CAUTION OPERATION		2			
903	10	12009100130	LABEL , DANGER PTO		1			
903	11	12009100010	LABEL , WARNING SUB SHIFTER		1			
903	12	12009100030	LABEL , WARNING EXHAUST		1			
903	13	12009100160	LABEL , DANGER RIDING		1			
903	14	17689100170	LABEL , CAUTION SAFETY		1			
903	15	12009100190	LABEL , WARNING BELT		1			
903	16	12009100210	LABEL , WARNING THROTTLE		1			
903	17	12009100050	LABEL , WARNING FIRE		1			
903	18	17689200050	LABEL , DIFF		1			
903	19	12009100060	LABEL , WARNING DIFF		1			
903	20	12009100140	LABEL , WARNING DRAW		1			
903	21	13219020060	LABEL , PTO		1			
903	24	15189030060	LABEL , PORT		2			
903	26	12009100070	LABEL , WARNING BRAKE		1			
903	27	14979010070	LABEL , SHIFT		1			
903	29	12359040043	MARK , /T394		2			
903	29	12359040042	MARK , T394		2			
903	35	12209045020	LABEL , ROPS WARNING		1			
903	36	12209045010	LABEL , ROPS DANGER		1			
903	37	17699100090	LABEL , WARNING JOYSTICK		1			
903	38	17699100100	LABEL , WARNING JOYSTICK		1			
903	39	12009430041	LABEL . 4WD		1			
903	40	12009100040	LABEL , WARNING STOP VALVE		1			
903	41	T0019110050	NAMEPLATE , USA		1			
903	42	13019041130	LABEL, TYM(35)		2			
903	44	12609040620	LABEL , STARTING WARNING		1			
903	46	12209045051	LABEL , ROPS WARNING/REMODELING		1			
903	47	12549040691	LABEL , ROPS		1			
903	48	18711201100	LABEL , ULTRA LOW SULFUR		1			
903	49	14529201120	LABEL , REVERSE		1			
903	50	13379100150	6YEAR WARRANTY LABEL		1			
903	51	17409209010	LABEL , OPERATION/DPF REGEN SWITCH		1			
903	60	14119010020	LABEL , /TYM 60		2			
NOTE								

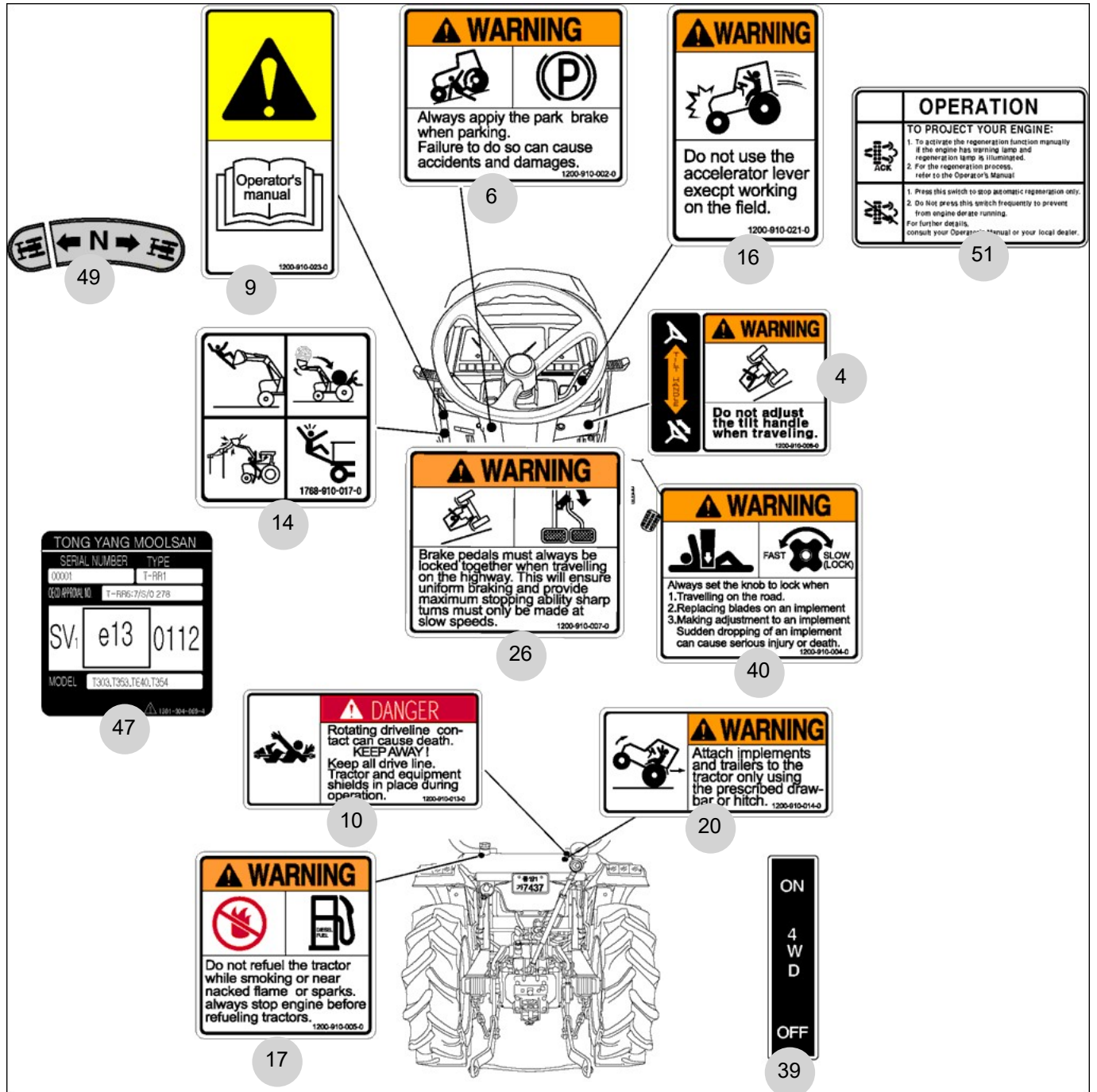
FIG 903-2

LABEL

년/월
Year/Month

T394NC

2022-12



NOTE

FIG 903-2		LABEL					년/월 Year/Month		
							2022-12		
T394NC		KEY NO	PART NO	DESCRIPTION	SPEC	QTY	REPAIR	EFFECTIVE DATE	REMARKS
903-2	1	14726400010	SEAL ,	HANDBRAKE		1			
903-2	2	12339040020	LABEL ,	SPEED		1			
903-2	3	12009040041	LABEL ,	HYDRAULIC CONTROL		1			
903-2	4	12009100080	LABEL ,	WARNING TILTING		1			
903-2	5	12009100240	LABEL ,	CAUTION MUFFLER		1			
903-2	6	12009100020	LABEL ,	WARNING PARKING		1			
903-2	7	12009100120	LABEL ,	CAUTION FAN		1			
903-2	8	12009100150	LABEL ,	WARNING RADIATOR		1			
903-2	9	12009100230	LABEL ,	CAUTION OPERATION		2			
903-2	10	12009100130	LABEL ,	DANGER PTO		1			
903-2	11	12009100010	LABEL ,	WARNING SUB SHIFTER		1			
903-2	12	12009100030	LABEL ,	WARNING EXHAUST		1			
903-2	13	12009100160	LABEL ,	DANGER RIDING		1			
903-2	14	17689100170	LABEL ,	CAUTION SAFETY		1			
903-2	15	12009100190	LABEL ,	WARNING BELT		1			
903-2	16	12009100210	LABEL ,	WARNING THROTTLE		1			
903-2	17	12009100050	LABEL ,	WARNING FIRE		1			
903-2	18	17689200050	LABEL ,	DIFF		1			
903-2	19	12009100060	LABEL ,	WARNING DIFF		1			
903-2	20	12009100140	LABEL ,	WARNING DRAW		1			
903-2	21	13219020060	LABEL ,	PTO		1			
903-2	24	15189030060	LABEL ,	PORT		2			
903-2	26	12009100070	LABEL ,	WARNING BRAKE		1			
903-2	27	14979010070	LABEL ,	SHIFT		1			
903-2	29	12359040042	MARK ,	T394		2			
903-2	29	12359040043	MARK ,	/T394		2			
903-2	35	12209045020	LABEL ,	ROPS WARNING		1			
903-2	36	12209045010	LABEL ,	ROPS DANGER		1			
903-2	37	17699100090	LABEL ,	WARNING JOYSTICK		1			
903-2	38	17699100100	LABEL ,	WARNING JOYSTICK		1			
903-2	39	12009430041	LABEL .	4WD		1			
903-2	40	12009100040	LABEL ,	WARNING STOP VALVE		1			
903-2	41	T0019010021	LABEL ,	MODEL/EXPORT		1			
903-2	41	T0019110050	NAMEPLATE ,	USA		1			
903-2	42	13019041130	LABEL ,	TYM(35)		2			
903-2	44	12609040620	LABEL ,	STARTING WARNING		1			
903-2	46	12209045051	LABEL ,	ROPS WARNING/REMODELING		1			
903-2	47	13019040694	LABEL ,	ROPS		1			
903-2	47	12549040690	LABEL ,	ROPS		1			
903-2	47	12549040691	LABEL ,	ROPS		1			
903-2	48	18711201100	LABEL ,	ULTRA LOW SULFUR		1			
903-2	49	14529201120	LABEL ,	REVERSE		1			
903-2	50	13379100150	6YEAR WARRANTY LABEL			1			
903-2	51	17409209010	LABEL ,	OPERATION/DPF REGEN SWITCH		1			
903-2	60	14119010020	LABEL ,	/TYM 60		2			
NOTE									