

T454NH

Parts Catalog

목 차

0. TRACTOR KIT PART NO. TK1

FIG 000 TRAILER SOCKET KIT	7
FIG 001 ADAPTER KIT	9
FIG 001 EXTERNAL POSITION LEVER KIT	11

1. Engine PART NO. EG

FIG 100 ENGINE	14
FIG 101B CYLINDER BLOCK (T454)	16
FIG 102 GEAR HOUSING	18
FIG 103 FLYWHEEL HOUSING & OIL SUMP	20
FIG 104B CYLINDER HEAD & BONNET (T454)	22
FIG 105B SUCTION MANIFOLD (T454)	25
FIG 106B EXHAUST MANIFOLD (T454)	27
FIG 107B DIESEL PARTICULATE FILTER (T454)	29
FIG 108 CAMSHAFT & DRIVING GEAR	31
FIG 110B CRANKSHAFT & PISTON (T454)	33
FIG 111 BALANCER	35
FIG 112B LUB. OIL SYSTEM (T454)	37
FIG 114 COOLING WATER SYSTEM	39
FIG 115 FUEL SUPPLY PUMP	41
FIG 116B FUEL INJECTION VALVE (T454)	43
FIG 117 FUEL LINE	45
FIG 118 STARTING MOTOR	47
FIG 119 GENERATOR	49
FIG 120B ELECTRONIC CONTROL UNIT (T454)	51
FIG 121B ELECTRIC PARTS (T454)	53
FIG 122B ACCESSORY (T454)	55

2. Engine Accessories PART NO. T2

FIG 201 AIR CLEANER	58
---------------------	----

FIG 202 RADIATOR	60
FIG 203 MUFFLER	62
FIG 204 FUEL HOSE & FILTER	64
FIG 205 FUEL TANK	66
FIG 206 ACCELERATOR	68
FIG 207 OIL COOLER	70
FIG 208 FAN , COOLING	72

3. Clutch/Brake/Steering PART NO. T3

FIG 301 CLUTCH	75
FIG 302 CLUTCH PEDAL	77
FIG 303 BRAKE	79
FIG 304 BRAKE PEDAL & LINK	81
FIG 305A FRONT WHEEL	83
FIG 305B FRONT WHEEL (R4 OPTION)	85
FIG 306A REAR WHEEL	87
FIG 306B REAR WHEEL (R4 OPTION)	89
FIG 307 POWER STEERING WHEEL	91
FIG 308 POWER STEERING VALVE	93
FIG 309 POWER STEERING CYLINDER	95

4. Transmission PART NO. T4

FIG 401 TRANSMISSION FRONT CASE	98
FIG 402 HST	100
FIG 402-1 HST	102
FIG 403 MID TRANSMISSION CASE	104
FIG 404 TRANSTER GEAR SET	106
FIG 405 TRANSMISSION REAR CASE	108
FIG 406 SUB CHANGE GEARS	110
FIG 407 SUB CHANGE SHIFTER	112
FIG 408 DRIVE GEARS	114
FIG 409 4WD CHANGE LEVER	116
FIG 410 P.T.O DRIVE SHAFT	118
FIG 411 P.T.O CHANGE GEARS	120
FIG 412 REAR DIFFERENTIAL GEARS	122
FIG 413 REAR AXLE HOUSING	125

5. Front Axle PART NO. T5

FIG 501 FRONT AXLE SUPPORT	128
FIG 502 FRONT DRIVE SHAFT	130
FIG 503 FRONT AXLE HOUSING	132
FIG 504 FRONT DIFFERENTIAL GEARS	134
FIG 505 FRONT GEAR CASE (1)	136
FIG 506 FRONT GEAR CASE (2)	138
FIG 507 FRONT GEAR CASE (3)	140

6. Hydraulic/3P-Link PART NO. T6

FIG 601 CYLINDER CASE	143
FIG 602 LIFT ARM	145
FIG 603 CYLINDER	147
FIG 604 POSITION LINK	149
FIG 605 CONTROL VALVE	151
FIG 606 DRAFT LINK	153
FIG 607 POSITION & DRAFT LEVER	155
FIG 607 POSITION & DRAFT LEVER	157
FIG 609 HYDRAULIC PIPE	159
FIG 610 JOYSTICK	162
FIG 611 HYDRAULIC HOSE	164
FIG 612 HITCH & 3-POINT LINK	166
FIG 613 LOWER LINK & LIFT ROD	169
FIG 614 EXTERNAL POSITION LEVER KIT	171

7. Sheet Metal & Cabin PART NO. T7

FIG 701 HOOD (1)	174
FIG 702 HOOD (2)	177
FIG 704B LEVER COVER & STEP-NON CAB	179
FIG 705 FRONT & REAR MOUNTING	181
FIG 706 SEAT & MAT	183
FIG 710B FRAME & 2POLES-ROPS-NON CAB	185
FIG 713B SUB FENDER&COVER-NON CAB	187
FIG 714B MIRROR&WORKING LAMP-NON CAB	189

FIG 718 CABIN INTERIOR	191
FIG 719 PEDAL SUB ASSY	193

8. Electrical System PART NO. T8

FIG 801 BATTERY & MOUNTING	196
FIG 802 LIGHT & BACK LAMP	198
FIG 803 INSTRUMENT PANEL	200
FIG 804 ELECTRIC SYSTEM (1)	202
FIG 805B ELECTRIC SYSTEM (2)-NON CAB	204
FIG 806 INSTRUMENT PANEL	206

9. Label/Option PART NO. T9

FIG 901 TOOL & ACCESSORY	209
FIG 902A LABEL	211

0. TRACTOR KIT PART NO. TK1

FIG 000 TRAILER SOCKET KIT

7

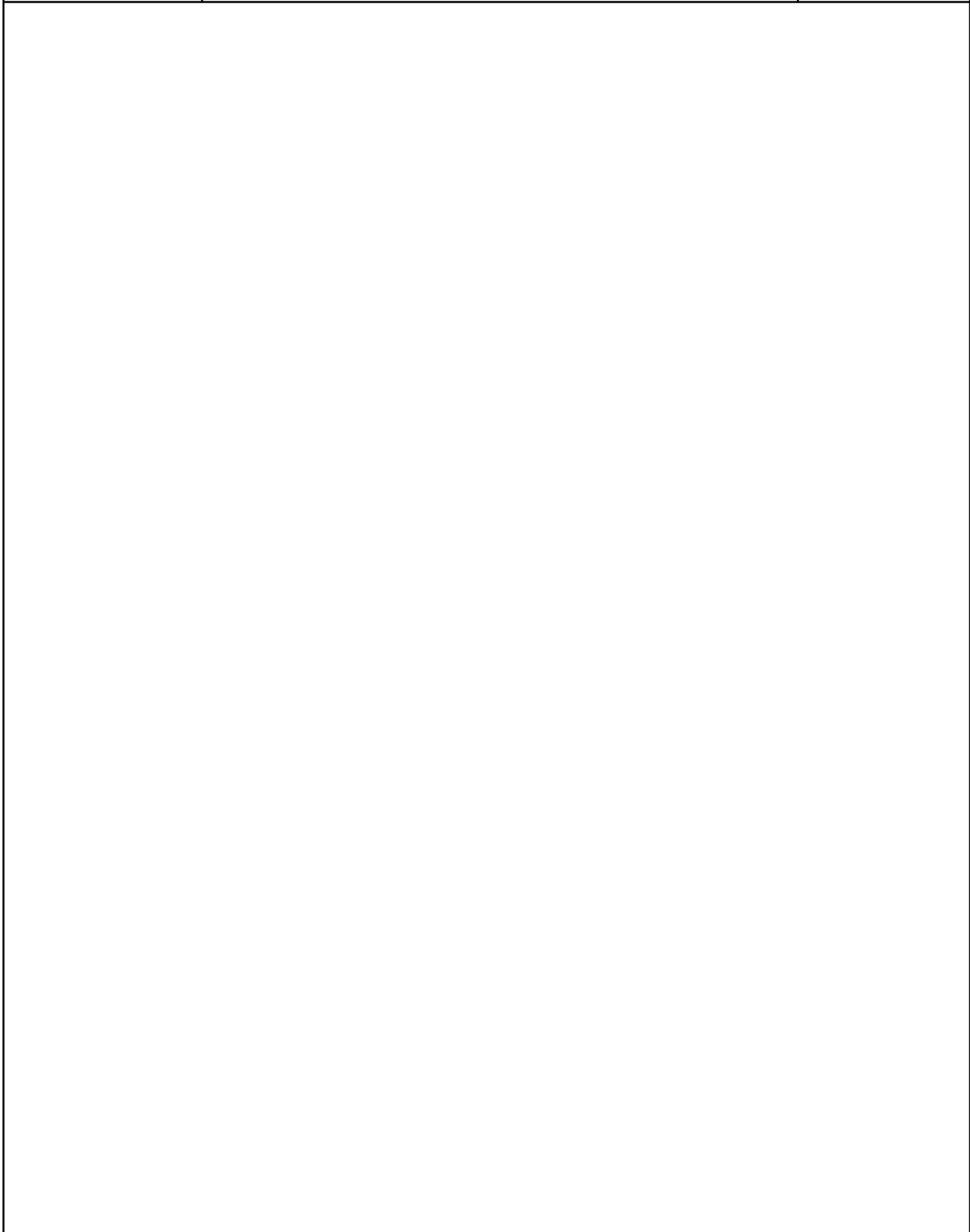
FIG 001 ADAPTER KIT

9

FIG 001 EXTERNAL POSITION LEVER KIT

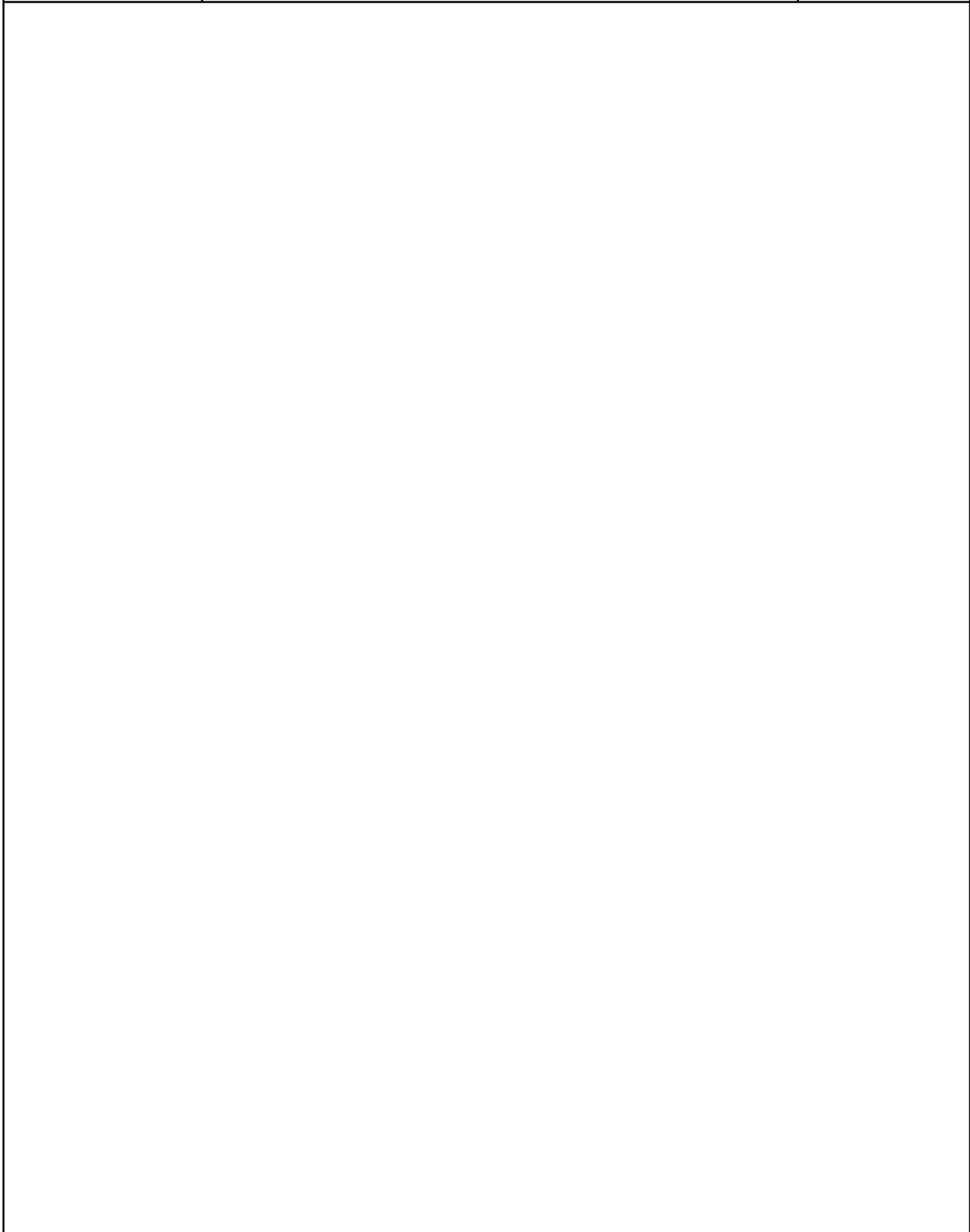
11

FIG 000 T454NH	TRAILER SOCKET KIT	년/월 Year/Month 2022-12
-------------------	--------------------	------------------------------



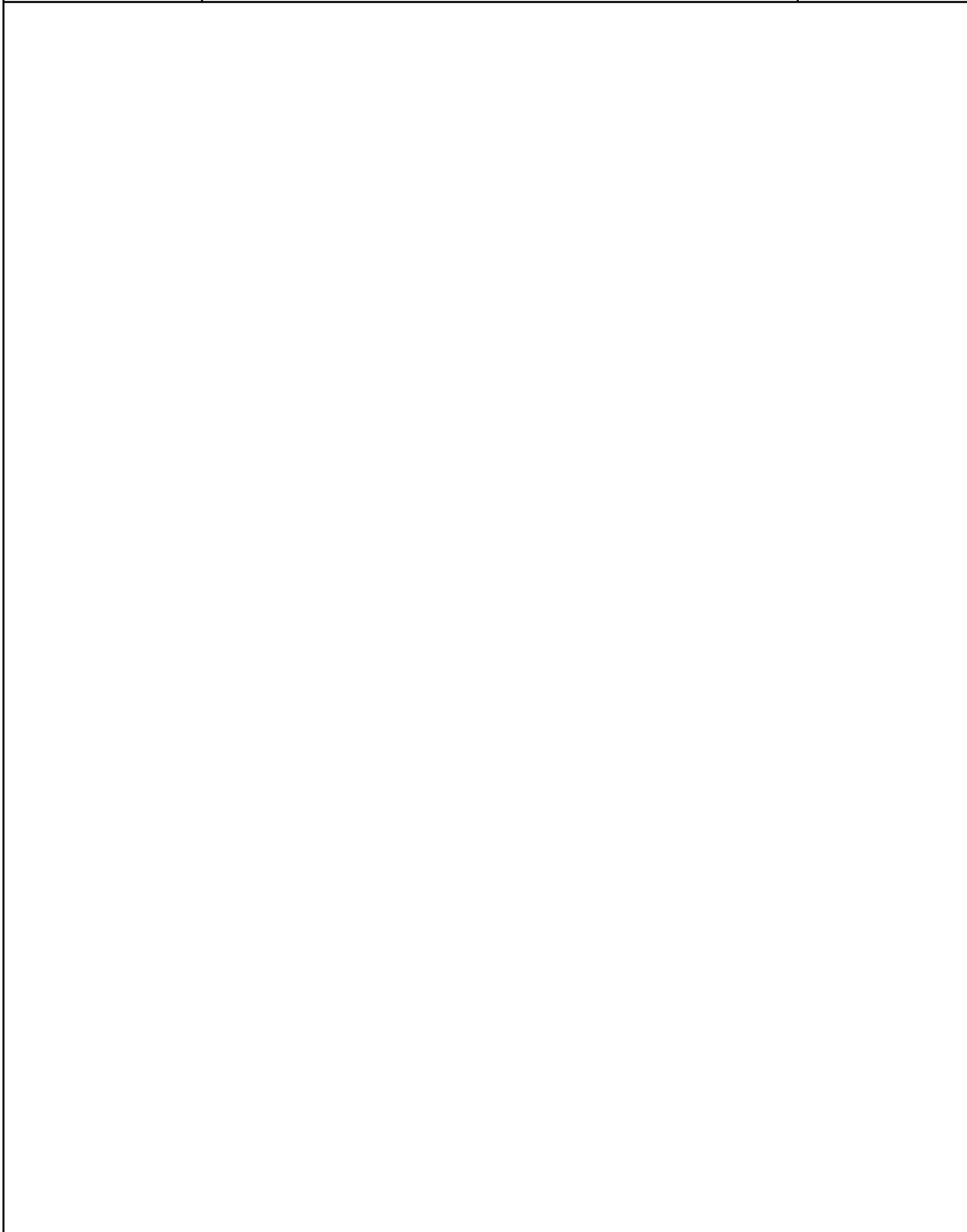
NOTE	
------	--

FIG 001 T454NH	ADAPTER KIT	년/월 Year/Month 2022-12
-------------------	-------------	------------------------------



NOTE	
------	--

FIG 001 T454NH	EXTERNAL POSITION LEVER KIT	년/월 Year/Month 2022-12
-------------------	-----------------------------	------------------------------

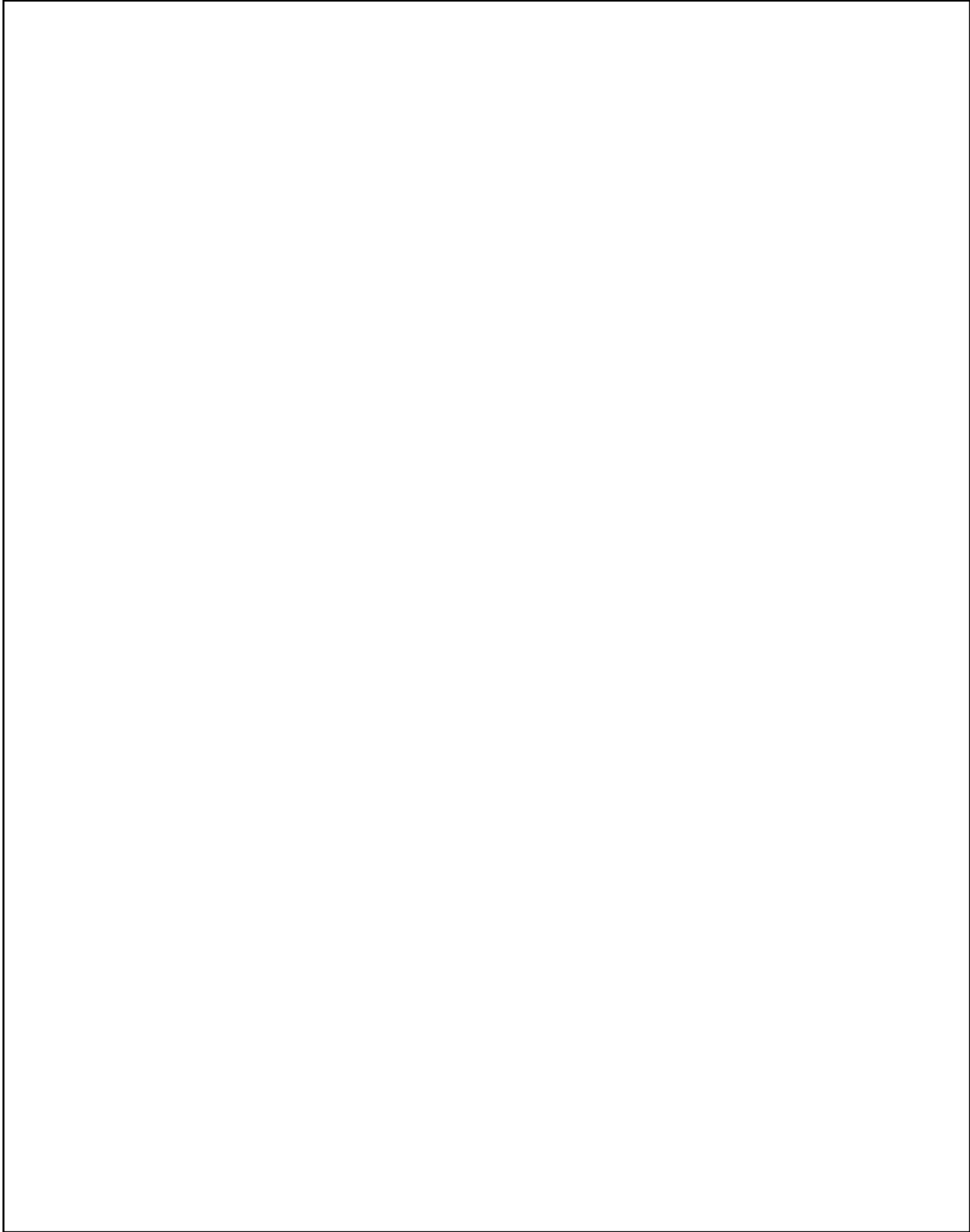


NOTE	
------	--

1. Engine PART NO. EG

FIG 100 ENGINE	14
FIG 101B CYLINDER BLOCK (T454)	16
FIG 102 GEAR HOUSING	18
FIG 103 FLYWHEEL HOUSING & OIL SUMP	20
FIG 104B CYLINDER HEAD & BONNET (T454)	22
FIG 105B SUCTION MANIFOLD (T454)	25
FIG 106B EXHAUST MANIFOLD (T454)	27
FIG 107B DIESEL PARTICULATE FILTER (T454)	29
FIG 108 CAMSHAFT & DRIVING GEAR	31
FIG 110B CRANKSHAFT & PISTON (T454)	33
FIG 111 BALANCER	35
FIG 112B LUB. OIL SYSTEM (T454)	37
FIG 114 COOLING WATER SYSTEM	39
FIG 115 FUEL SUPPLY PUMP	41
FIG 116B FUEL INJECTION VALVE (T454)	43
FIG 117 FUEL LINE	45
FIG 118 STARTING MOTOR	47
FIG 119 GENERATOR	49
FIG 120B ELECTRONIC CONTROL UNIT (T454)	51
FIG 121B ELECTRIC PARTS (T454)	53
FIG 122B ACCESSORY (T454)	55

FIG 100 T454NH	ENGINE	년/월 Year/Month
		2022-12



NOTE	
------	--

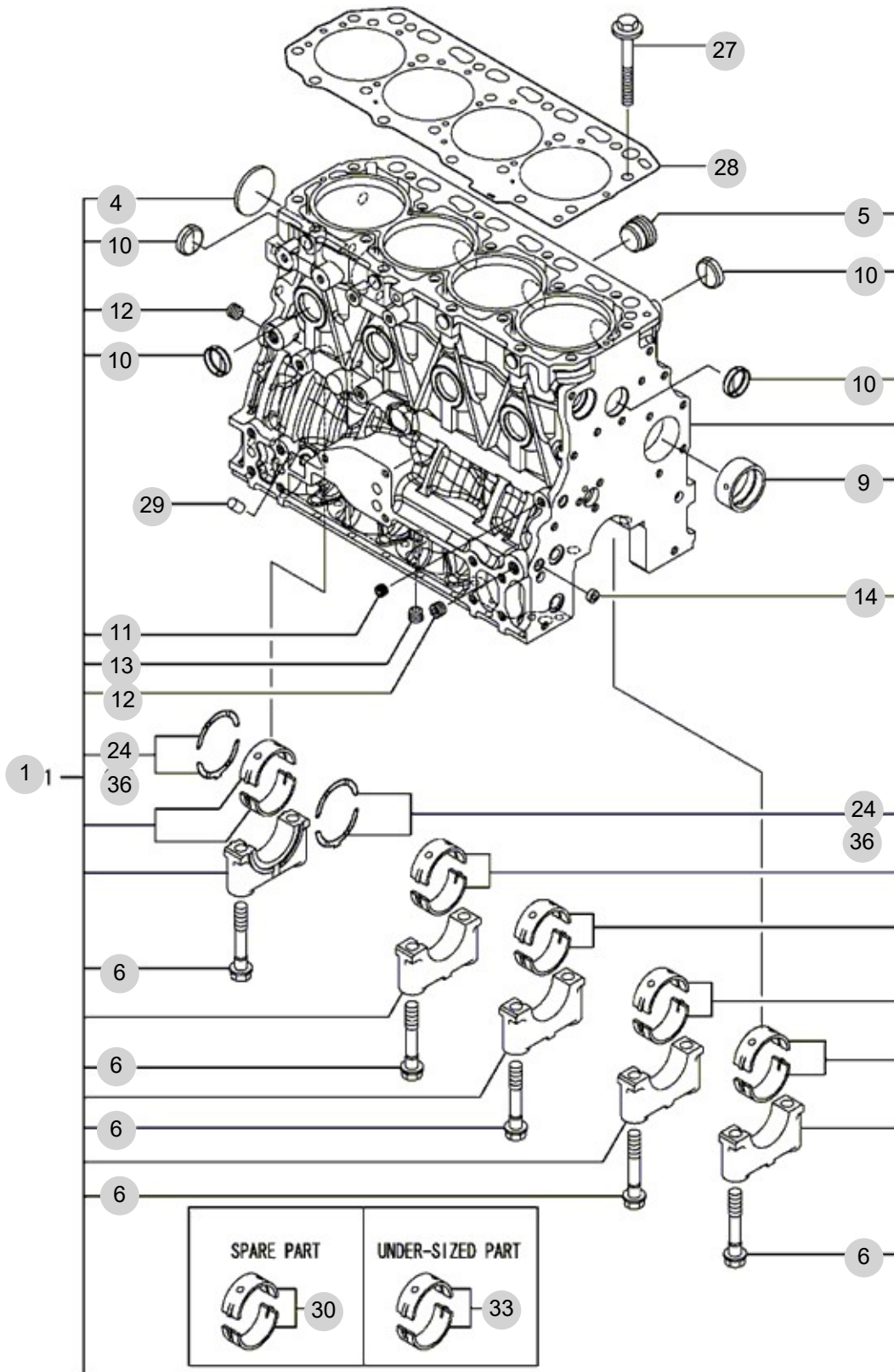
FIG 101B

CYLINDER BLOCK (T454)

년/월
Year/Month

2022-12

T454NH



NOTE

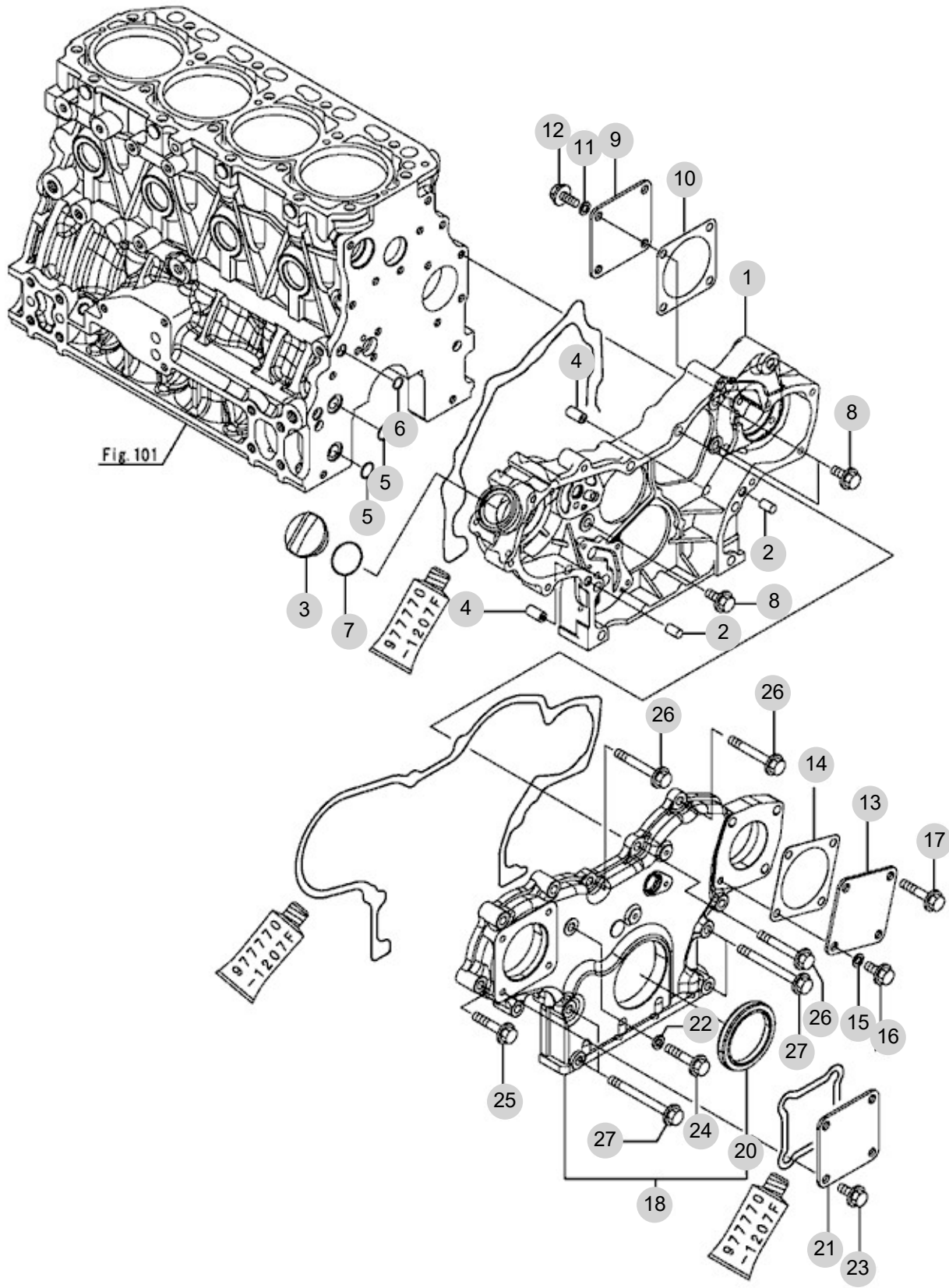
FIG 102

GEAR HOUSING

년/월
Year/Month

2022-12

T454NH



NOTE

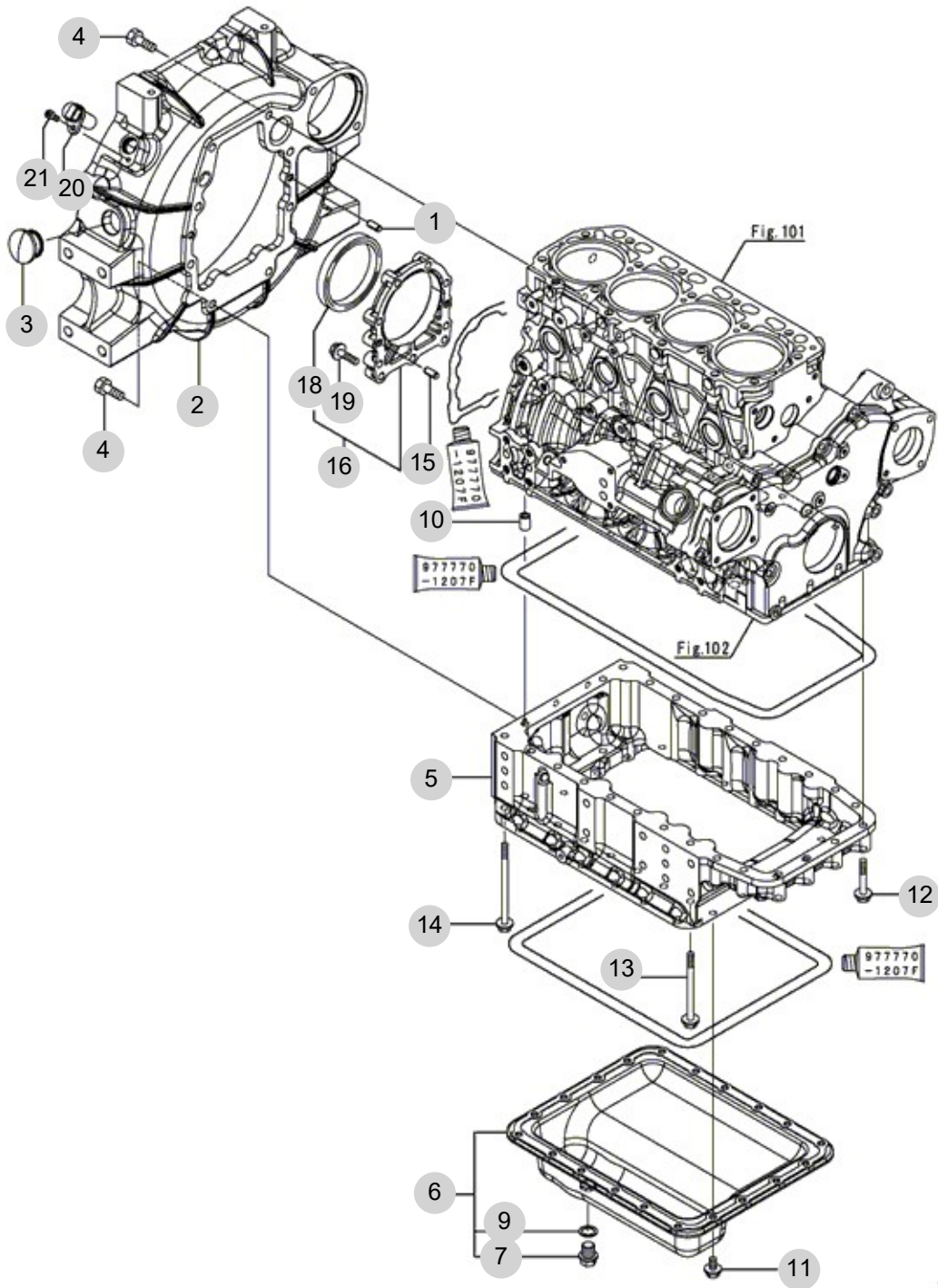
FIG 103

T454NH

FLYWHEEL HOUSING & OIL SUMP

년/월
Year/Month

2022-12



NOTE

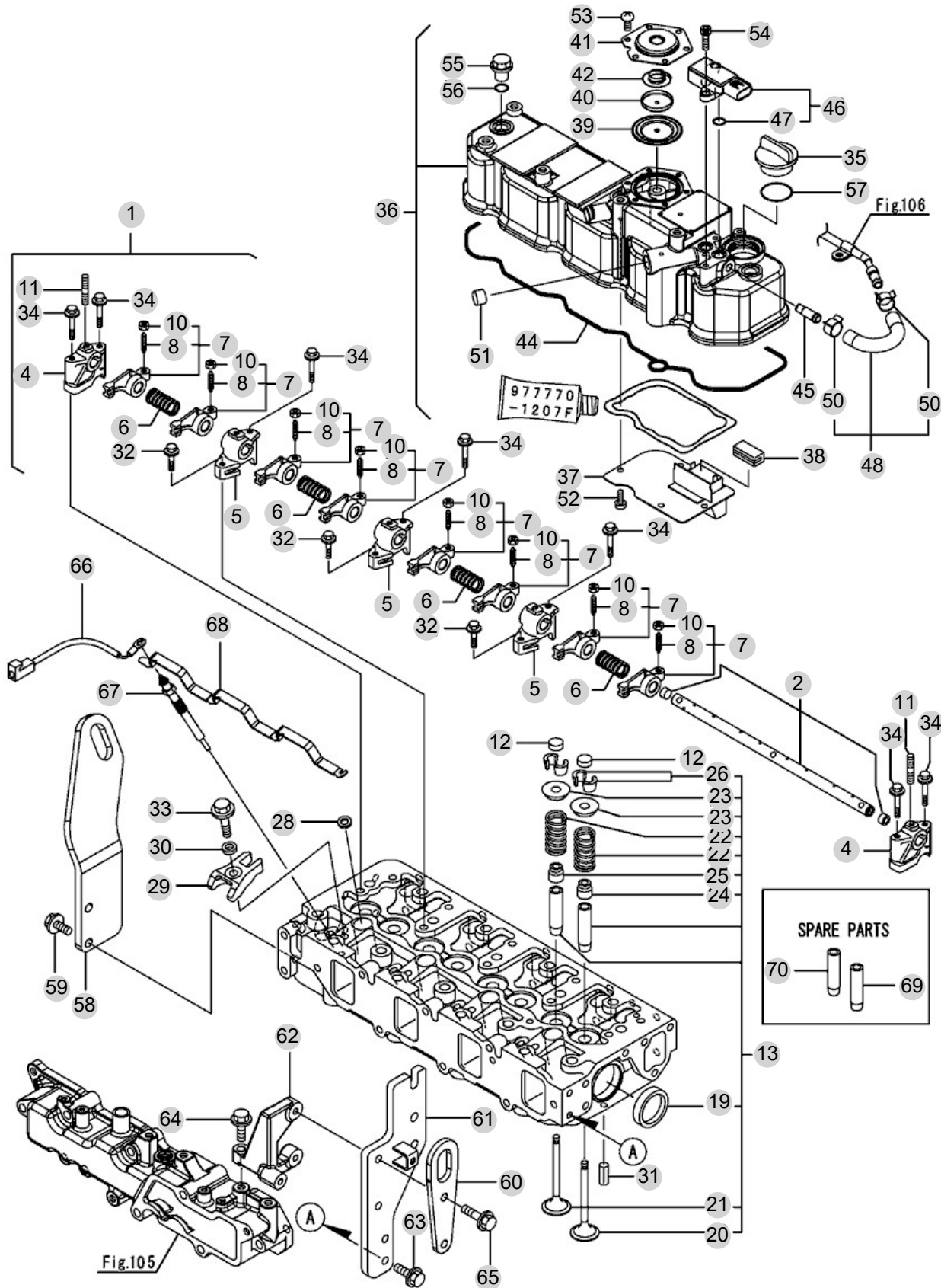
FIG 104B

CYLINDER HEAD & BONNET (T454)

년/월
Year/Month

2022-12

T454NH



NOTE

FIG 104B		CYLINDER HEAD & BONNET (T454)					년/월 Year/Month		
							2022-12		
T454NH		KEY NO	PART NO	DESCRIPTION	SPEC	QTY	REPAIR	EFFECTIVE DATE	REMARKS
104B	1	129601-11241	SHAFTASSY,ROCKER			1			
104B	2	129601-11251	SHAFT,ROCKERARM			1			
104B	4	119802-11260	SUPPORT,ROCKERARM			2			
104B	5	119802-11270	SUPPORT,ROCKERARM			3			
104B	6	129150-11280	SPRING			4			
104B	7	129004-11650	ARM,ROCKER			8			
104B	8	129150-11230	SCREW,VALVEADJUST			8			
104B	10	129150-11750	NUT, M8			8			
104B	11	26226-080182	STUD, M8X18			3			
104B	12	129150-11370	CAP,VALVE			8			
104B	13	129C00-11710	HEADASSY,CYLINDER			1			
104B	19	27241-400000	PLUG,40			2			
104B	20	129005-11100	VALVE,INTAKE			4			
104B	21	129100-11112	VALVE,EXHAUST			4			
104B	22	129795-11120	SPRING,VALVE			8			
104B	23	129795-11180	RETAINER,SPRING			8			
104B	24	124460-11340	SEAL,VALVESTEM			4			
104B	25	129A00-11340	SEAL,VALVESTEM			4			
104B	26	27310-080001	COTTER,8			8			
104B	28	129978-11871	GASKET,INJECTOR			4			
104B	29	129A00-11900	RETAINER,INJECTOR			4			
104B	30	120270-54410	WASHER,INJECTOR			4			
104B	31	22351-060012	PIN, SPRING 6.0X12			2			
104B	32	26106-080252	SCREW , HEX FLANGE HEAD CAP			3			
104B	33	26106-080352	BOLT			4			
104B	34	26106-080502	BOLT,M8X50 PLATED			7			
104B	35	124160-01751	COVER,FILLER			1			
104B	36	129C00-11350	BONNETASSY			1			
104B	37	129004-03010	PLATE			1			
104B	38	129150-03070	BAFFLE,BREATHER			1			
104B	39	123907-03100	DIAPHRAGM			1			
104B	40	123907-03110	PLATE			1			
104B	41	123907-03120	PLATE,BREATHER			1			
104B	42	123907-03140	SPRING,DIAPHRAGM			1			
104B	44	129C00-11310	GASKET,COVER			1			
104B	45	129A00-11330	JOINT			1			
104B	46	129A00-12703	SENSOR,PRESSURE			1			
104B	47	129A00-12780	O-RING,PRESSENSOR			2			
104B	48	129A00-13360	HOSEASSY,PRESEXH			1			
104B	50	129A00-13380	CLIP,HOSE14			2			
104B	51	119640-61400	PLUG			1			
104B	52	22857-500100	SCREW,5X10			4			
104B	53	22857-500100	SCREW,5X10			6			
104B	54	26450-060162	BOLT,M6X16			2			
104B	55	124160-11360	KNOB			3			
NOTE									

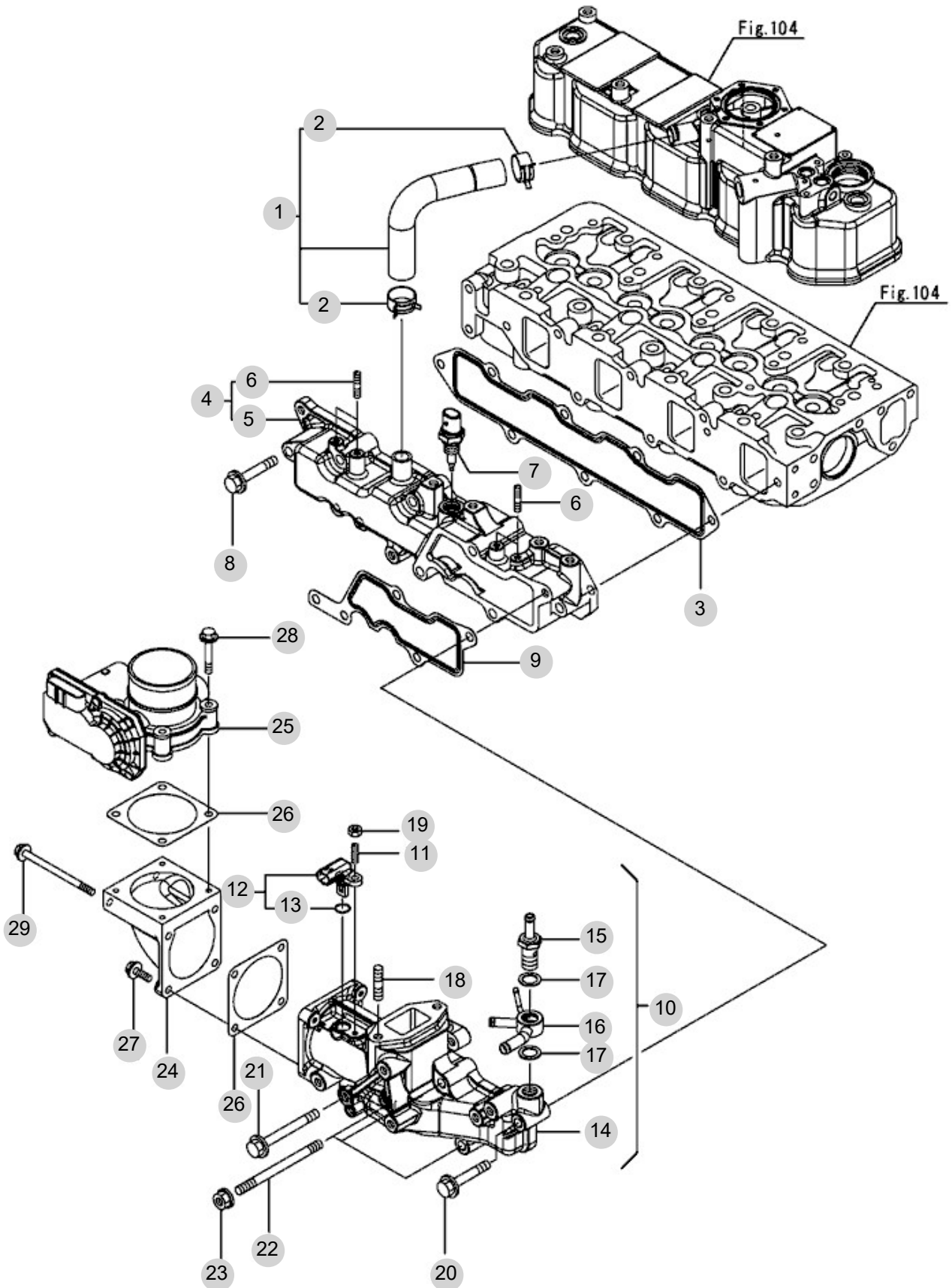
FIG 105B

SUCTION MANIFOLD (T454)

년/월
Year/Month

2022-12

T454NH



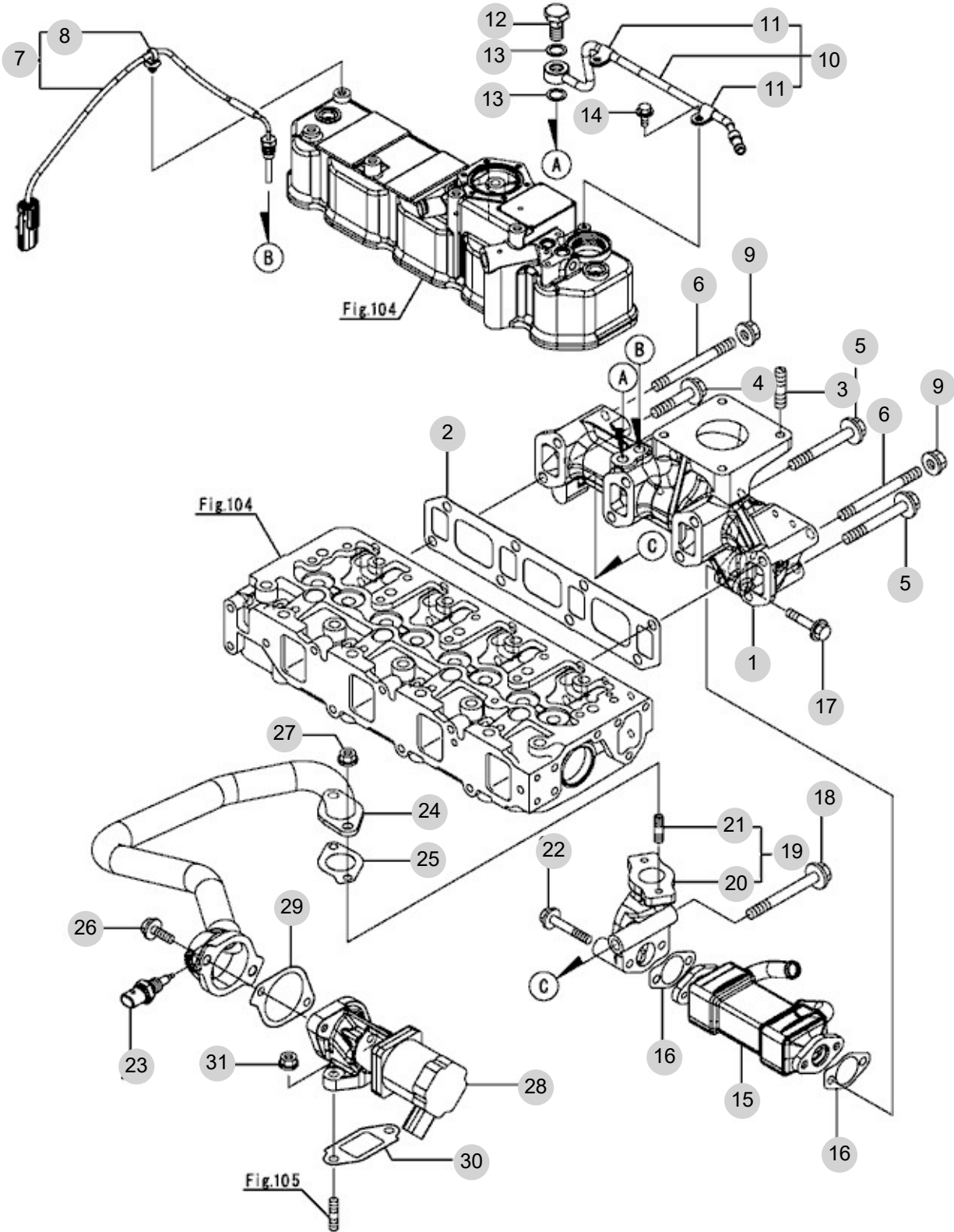
NOTE

FIG 106B

EXHAUST MANIFOLD (T454)

년/월
Year/Month

2022-12



NOTE

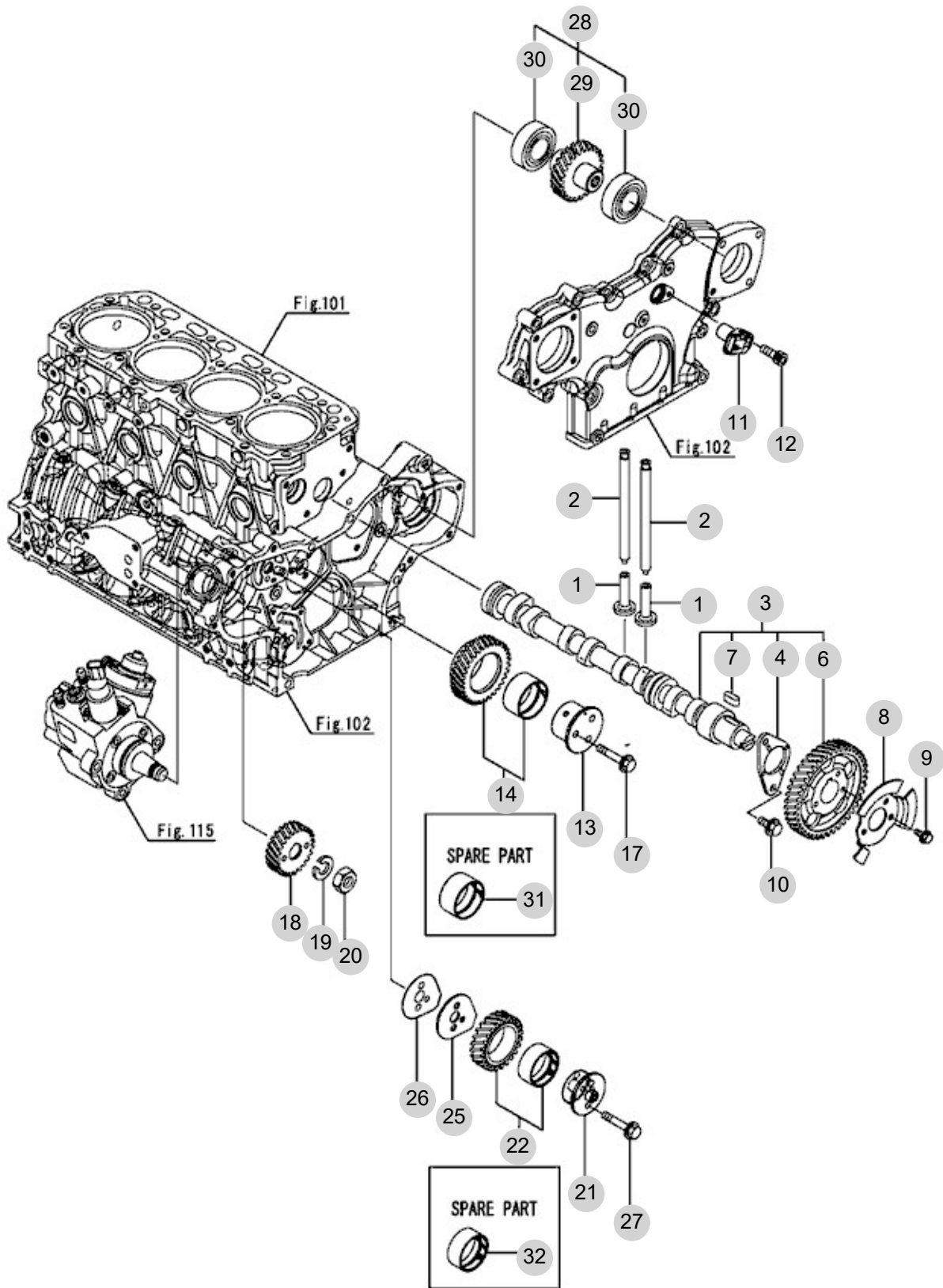
FIG 108

T454NH

CAMSHAFT & DRIVING GEAR

년/월
Year/Month

2022-12



NOTE

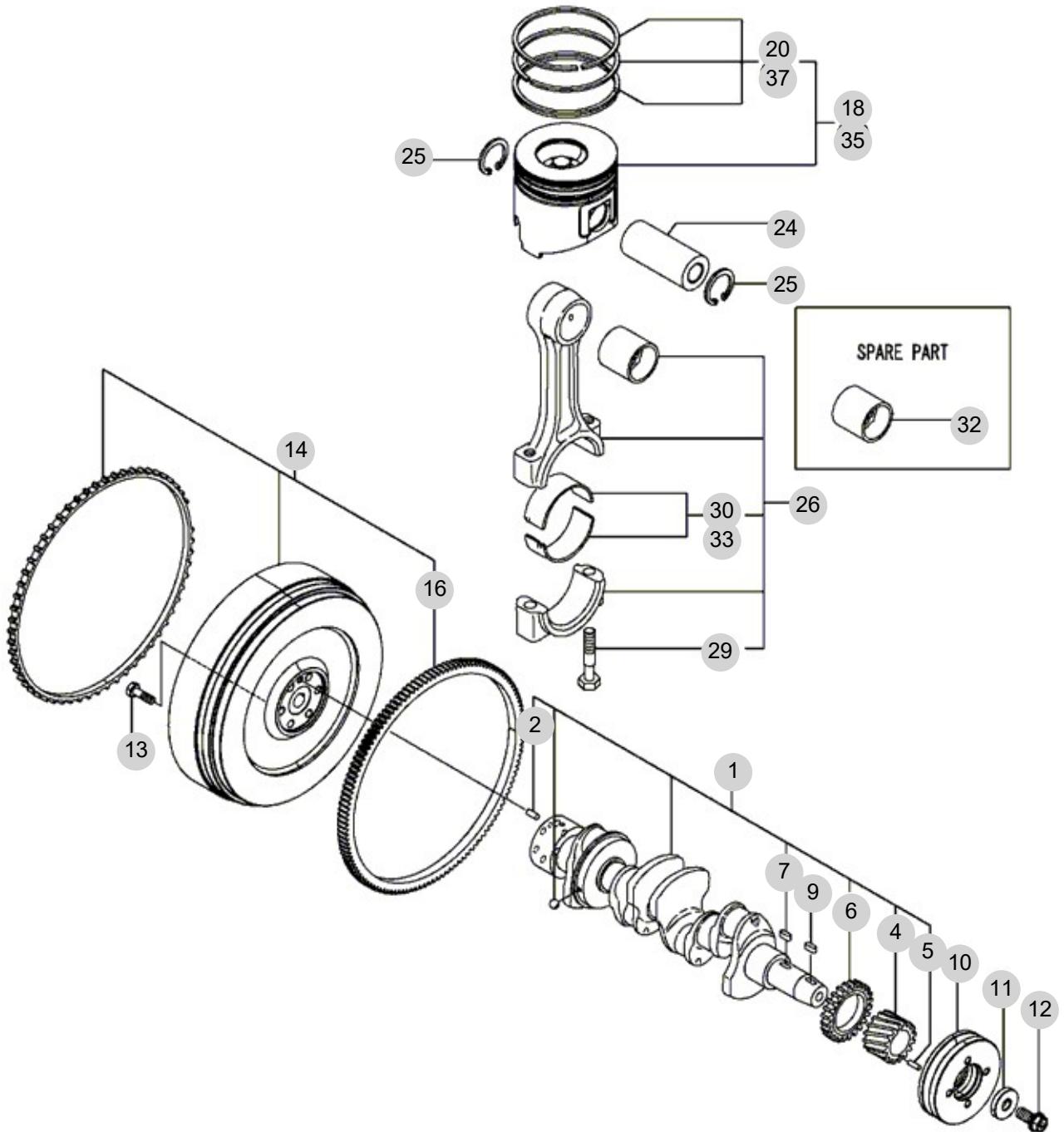
FIG 110B

T454NH

CRANKSHAFT & PISTON (T454)

년/월
Year/Month

2022-12



NOTE

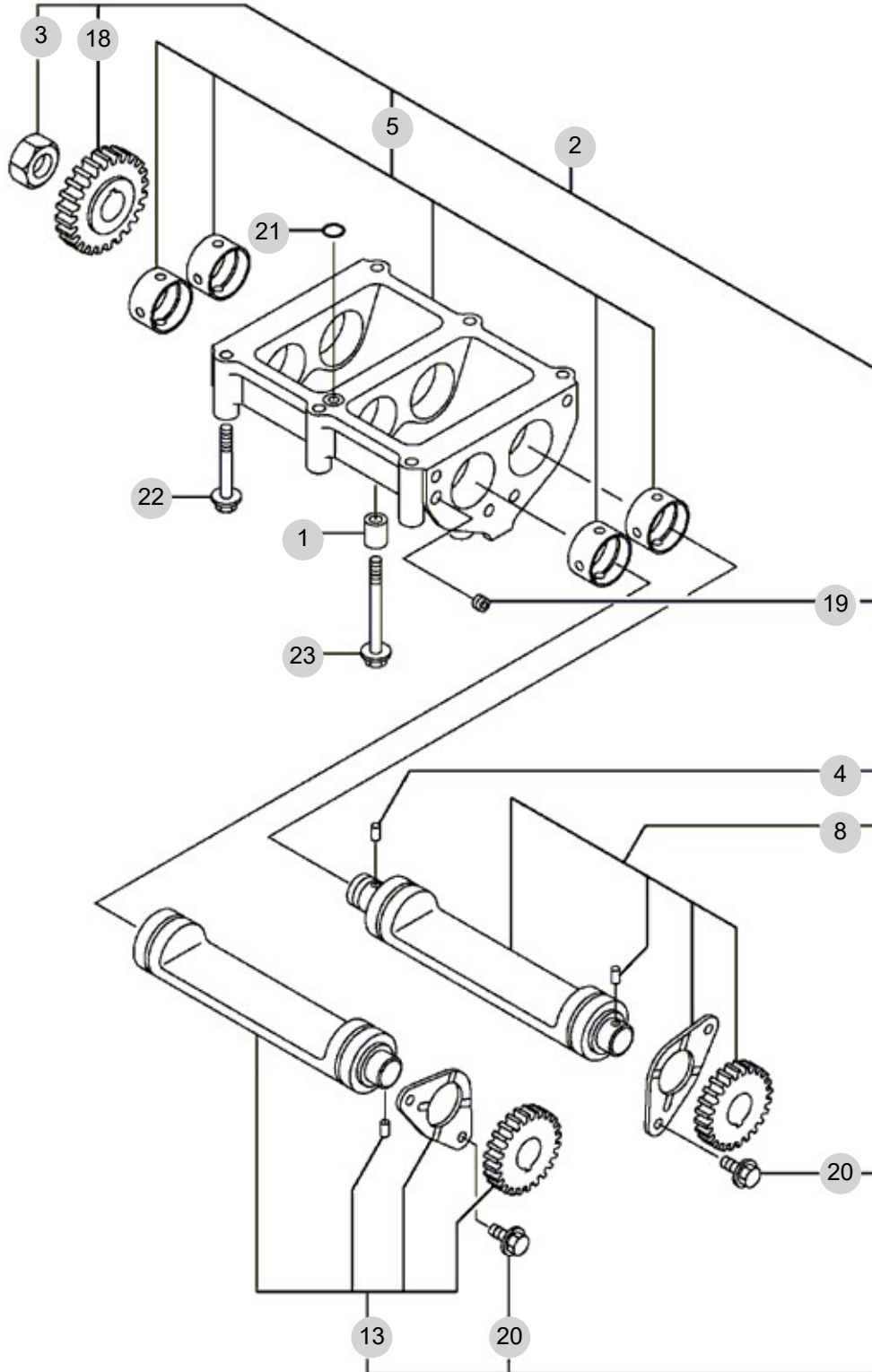
FIG 111

BALANCER

년/월
Year/Month

2022-12

T454NH



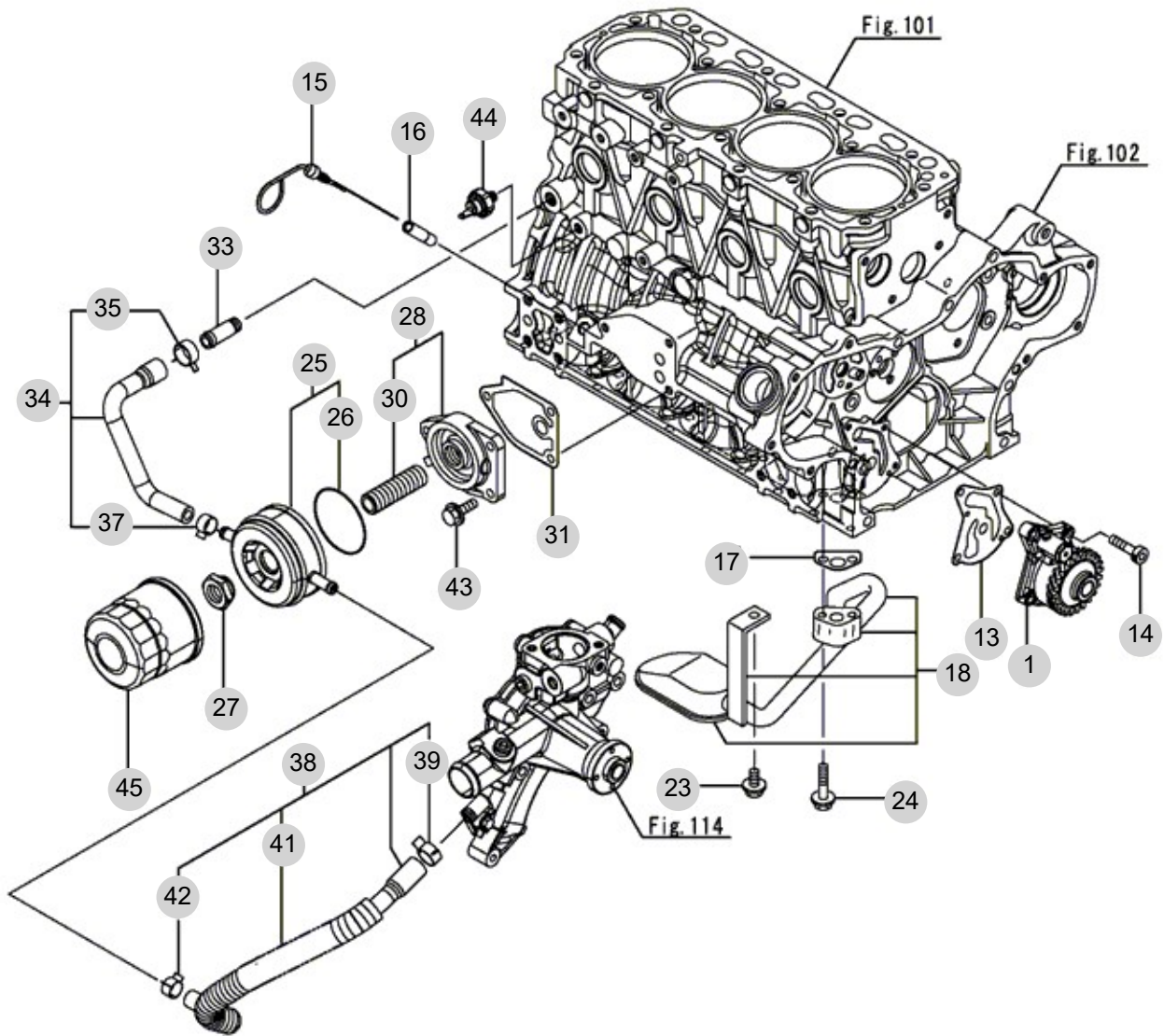
NOTE

FIG 112B

LUB. OIL SYSTEM (T454)

년/월
Year/Month

2022-12



NOTE

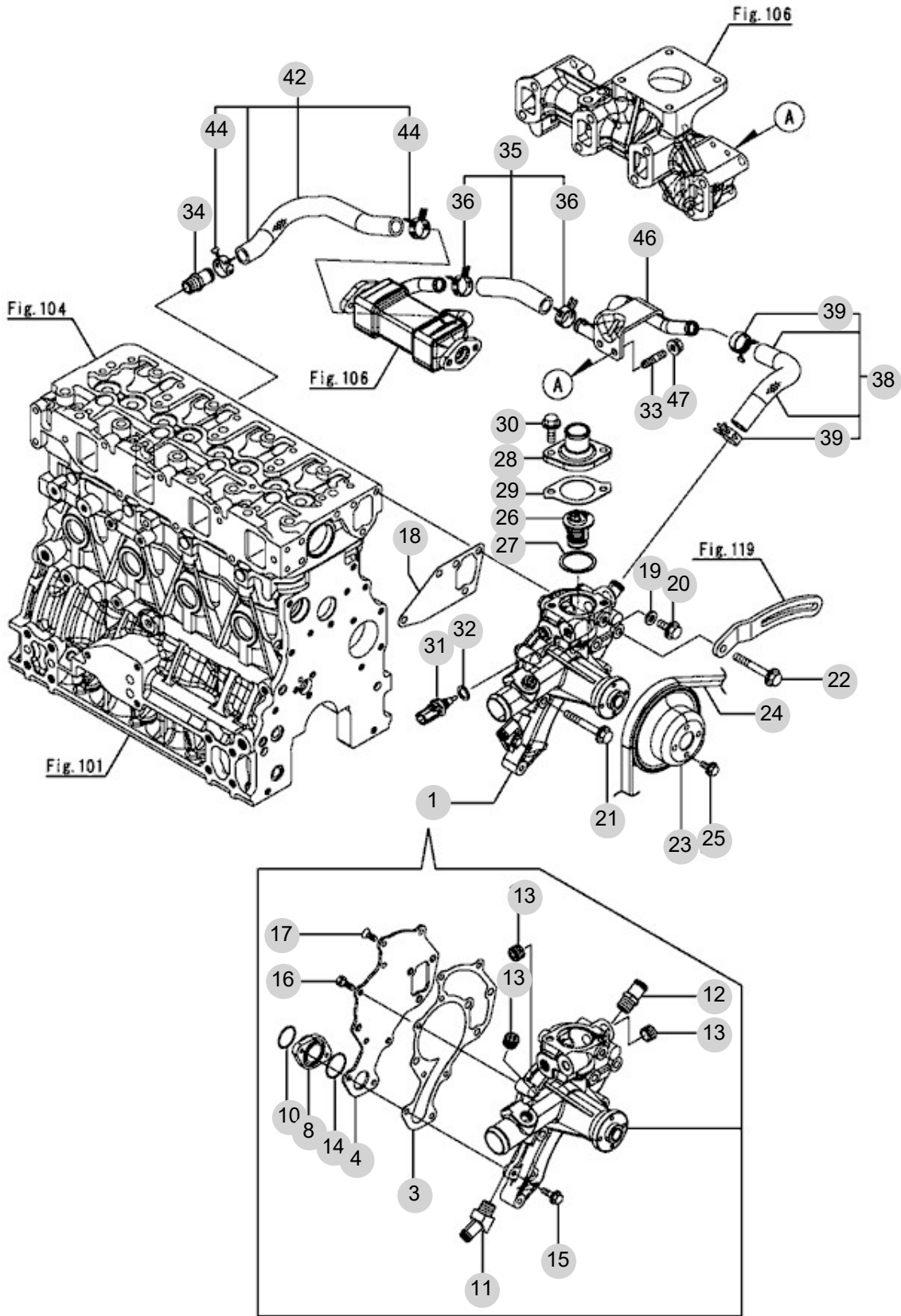
FIG 114

COOLING WATER SYSTEM

년/월
Year/Month

2022-12

T454NH



NOTE

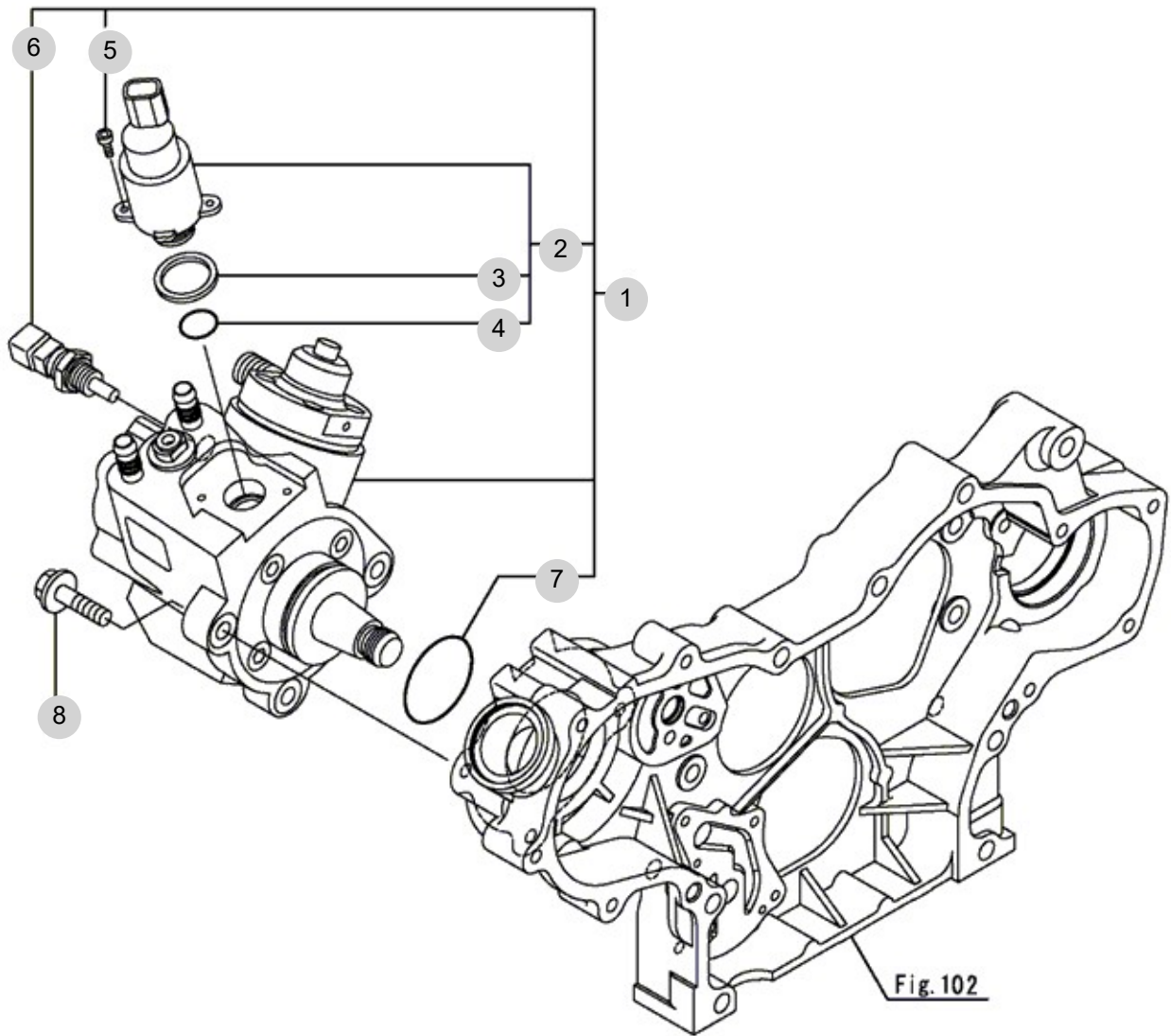
FIG 115

T454NH

FUEL SUPPLY PUMP

년/월
Year/Month

2022-12



NOTE

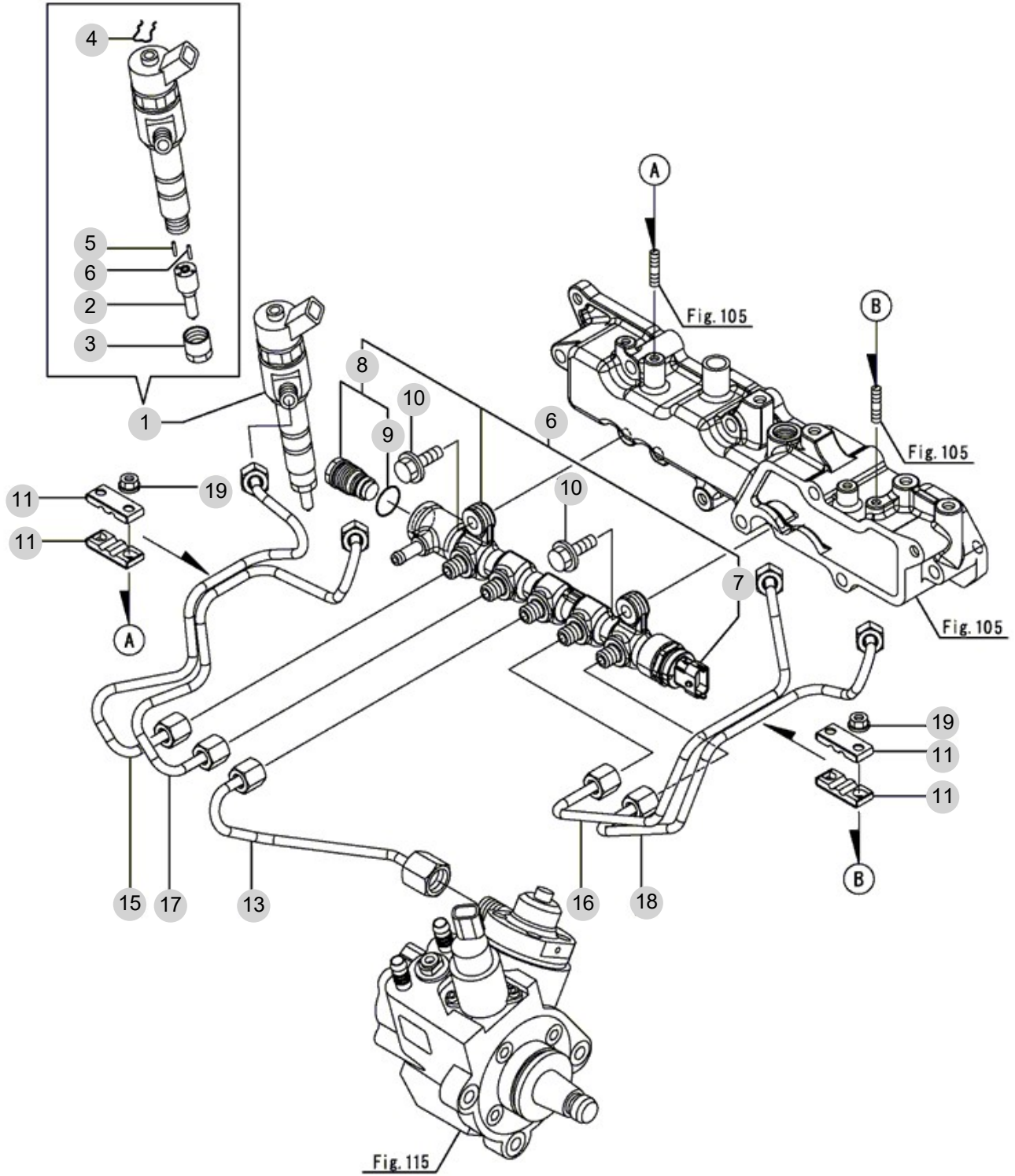
FIG 116B

FUEL INJECTION VALVE (T454)

년/월
Year/Month

2022-12

T454NH



NOTE

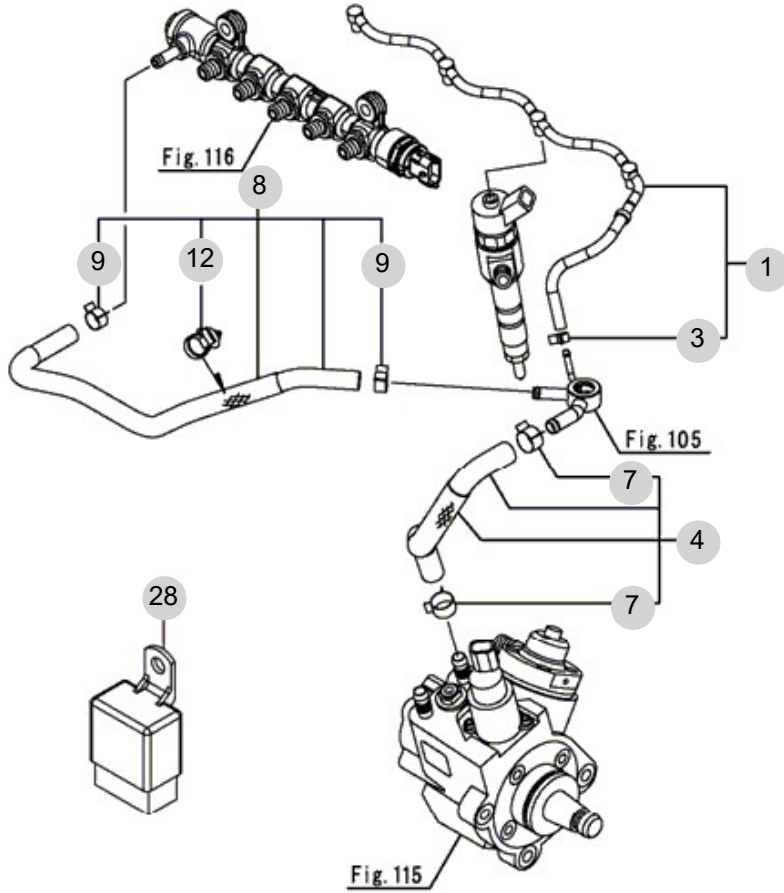
FIG 117

T454NH

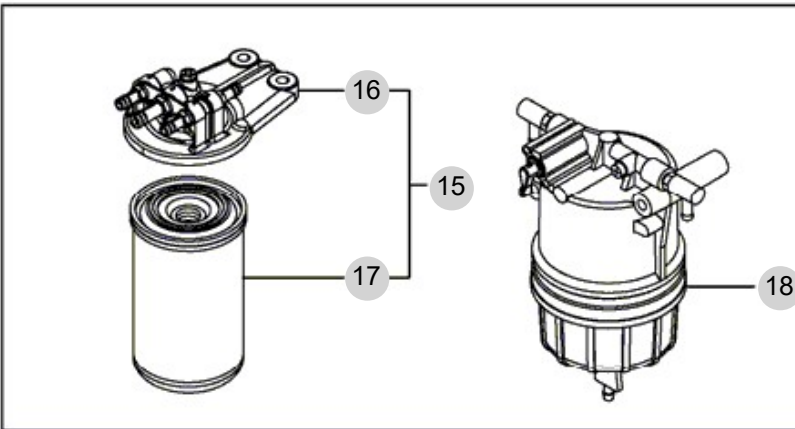
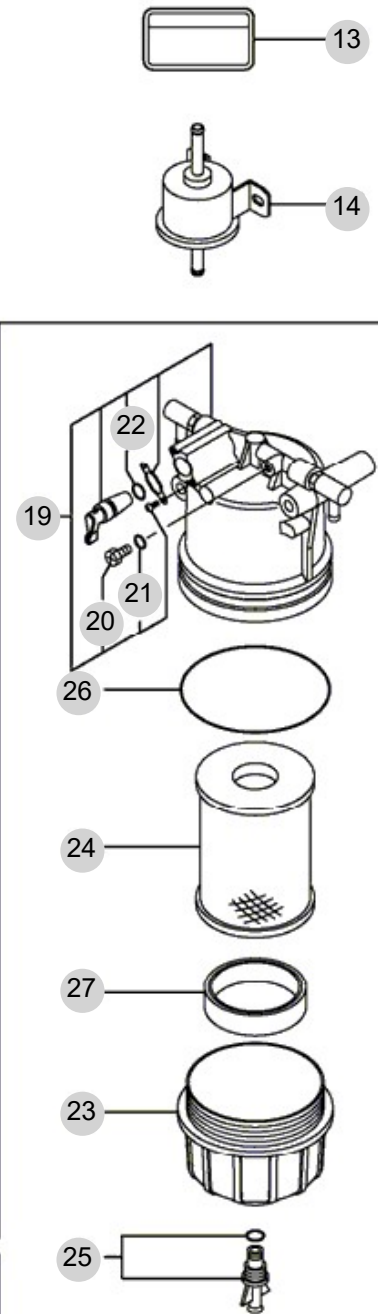
FUEL LINE

년/월
Year/Month

2022-12



LOOSE PARTS



NOTE

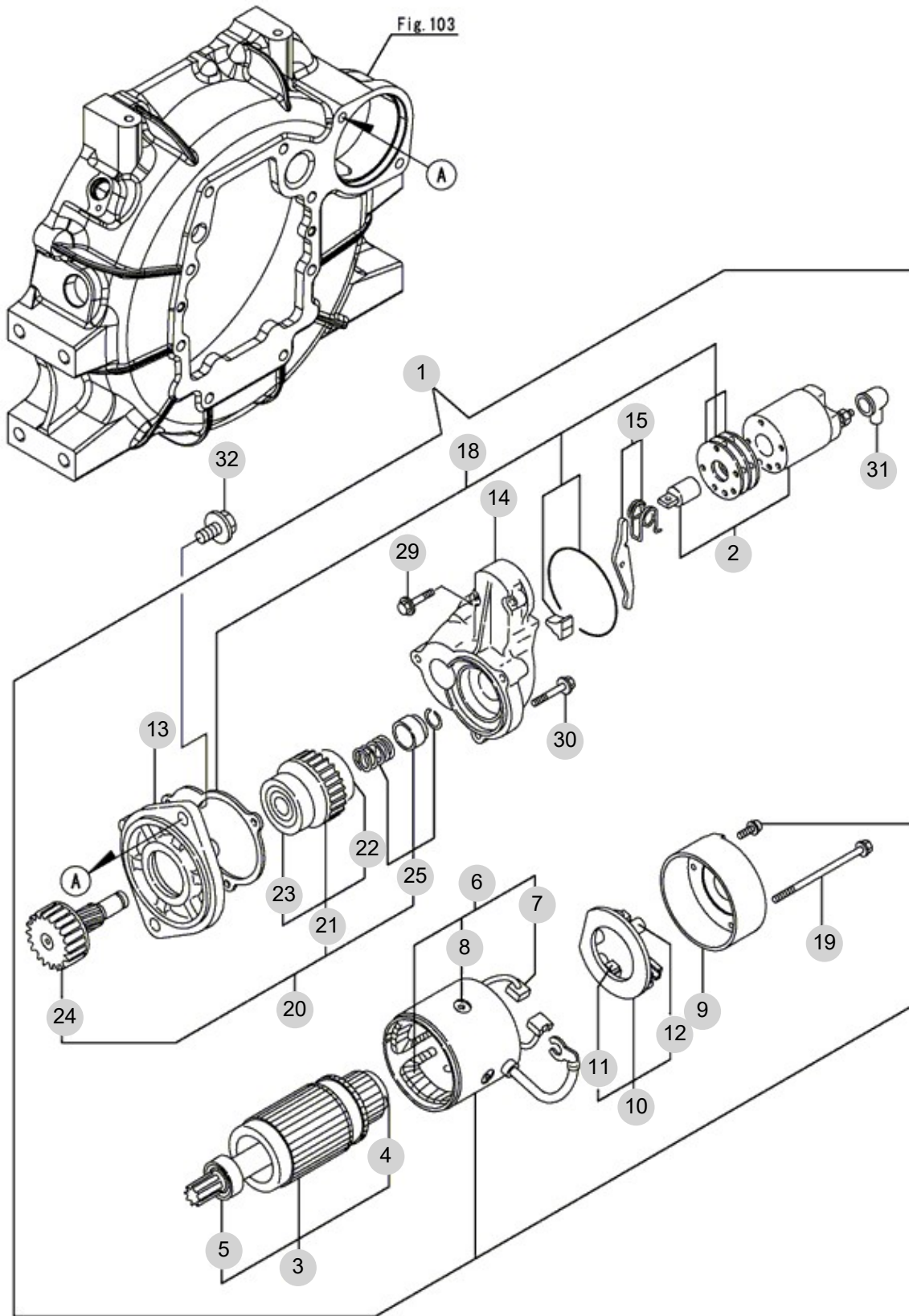
FIG 118

STARTING MOTOR

년/월
Year/Month

2022-12

T454NH



NOTE

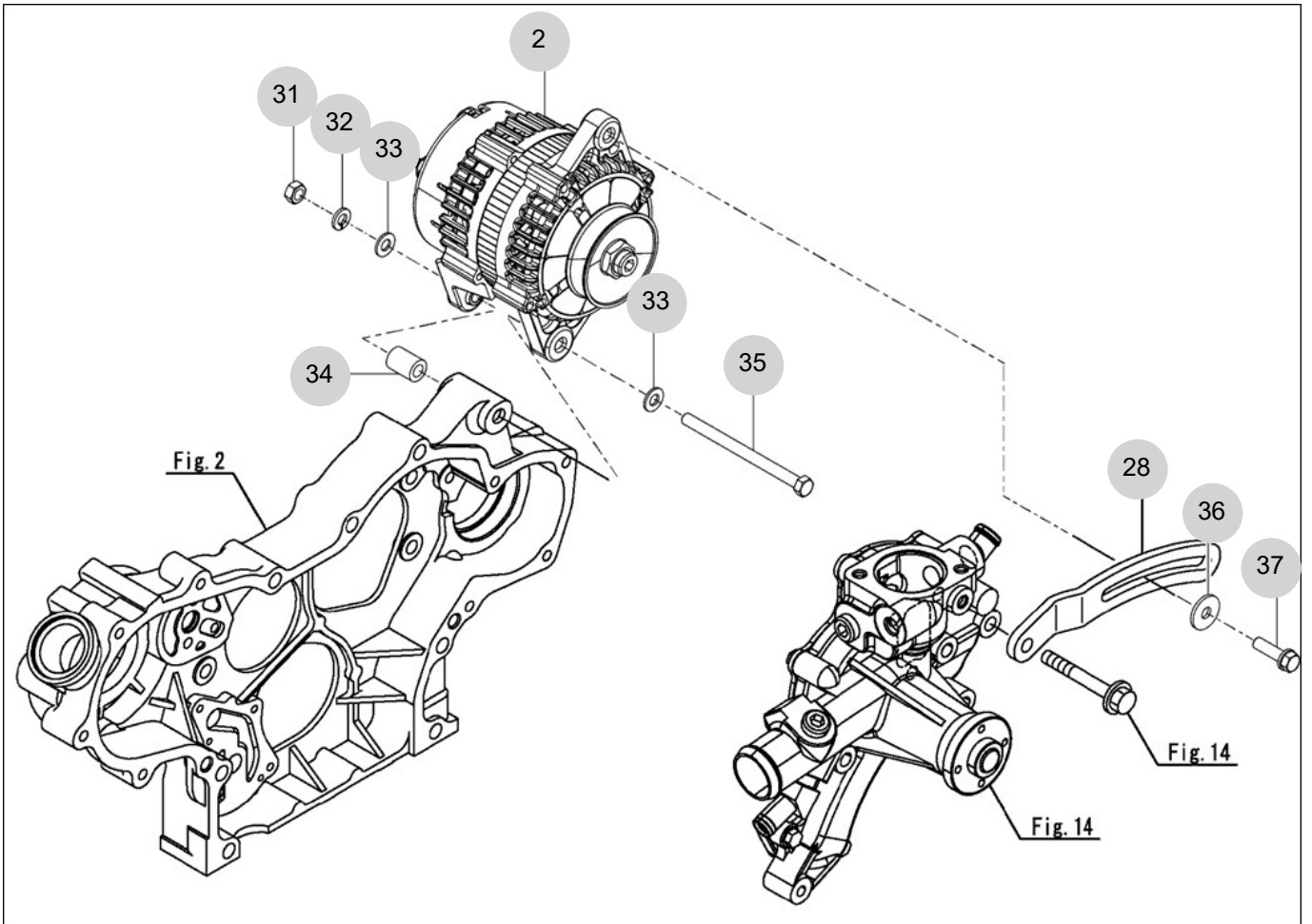
FIG 119

GENERATOR

년/월
Year/Month

2022-12

T454NH



NOTE

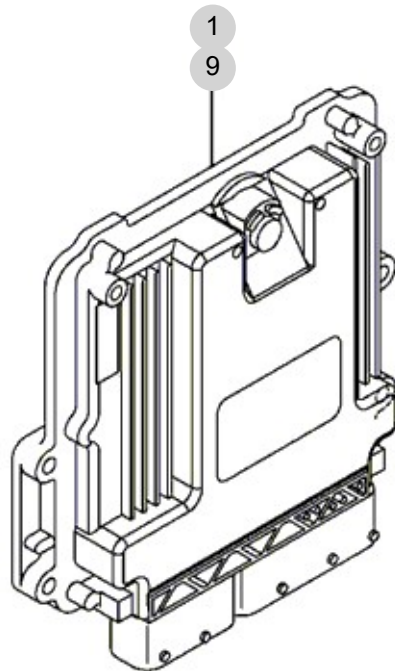
FIG 120B

T454NH

ELECTRONIC CONTROL UNIT (T454)

년/월
Year/Month

2022-12



NOTE

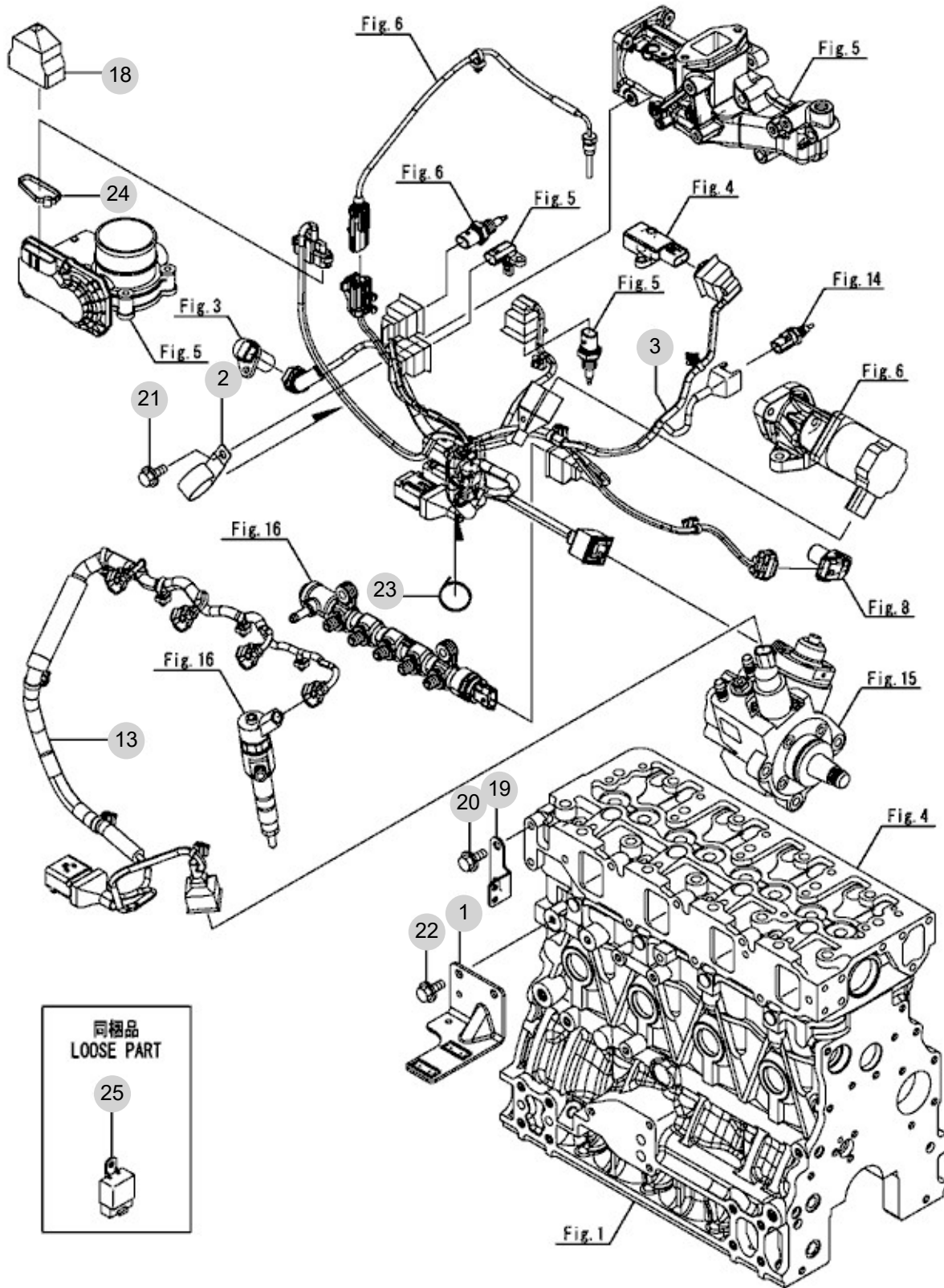
FIG 121B

ELECTRIC PARTS (T454)

년/월
Year/Month

2022-12

T454NH



NOTE

FIG 122B

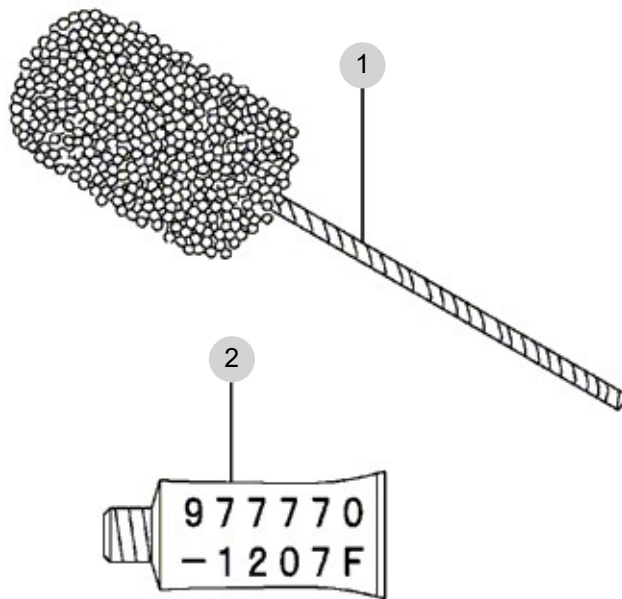
ACCESSORY (T454)

년/월
Year/Month

T454NH

2022-12

OPTIONAL PARTS



NOTE

2. Engine Accessories PART NO. T2

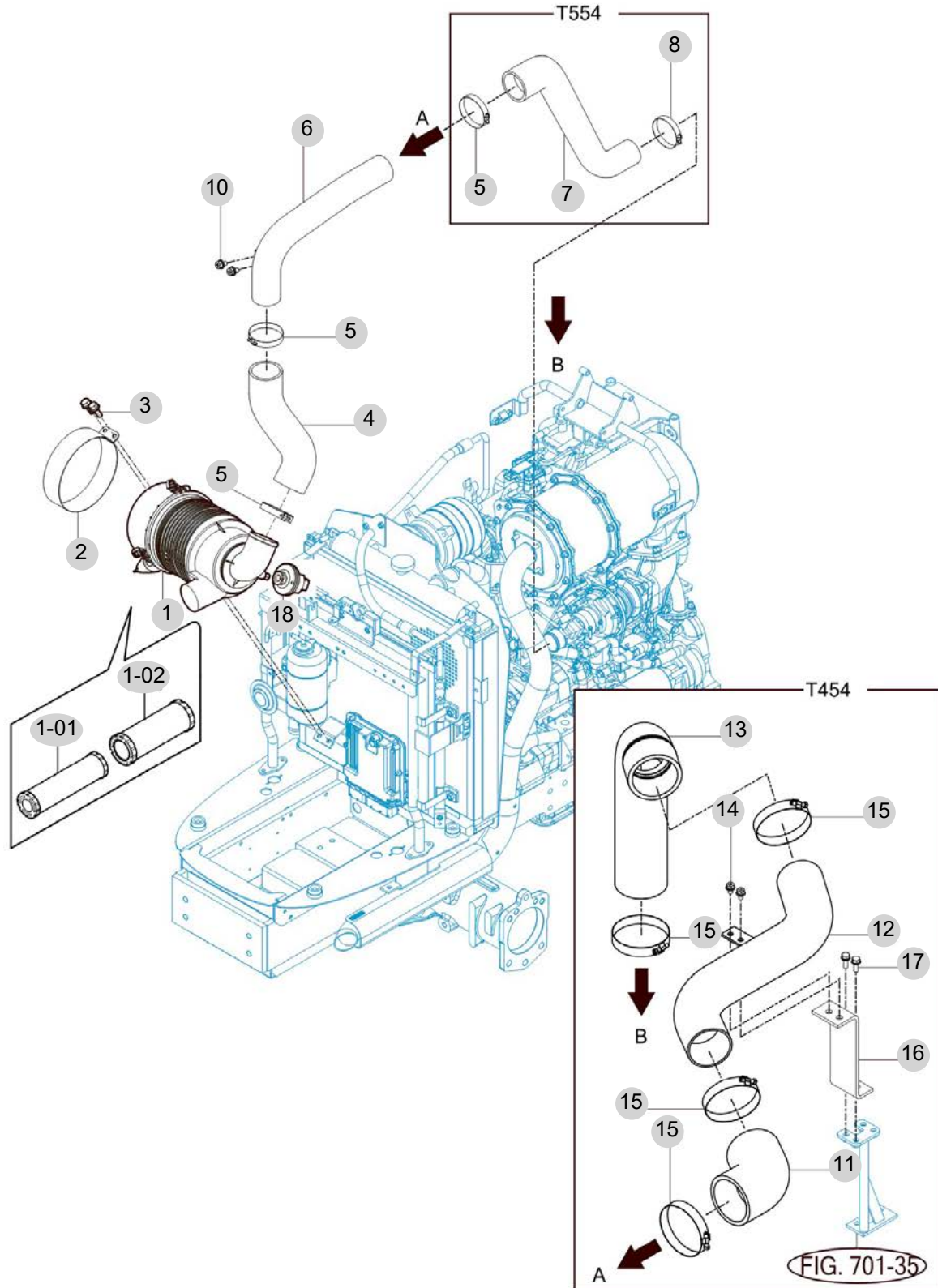
FIG 201 AIR CLEANER	58
FIG 202 RADIATOR	60
FIG 203 MUFFLER	62
FIG 204 FUEL HOSE & FILTER	64
FIG 205 FUEL TANK	66
FIG 206 ACCELERATOR	68
FIG 207 OIL COOLER	70
FIG 208 FAN , COOLING	72

FIG 201

AIR CLEANER

년/월
Year/Month

2022-12



NOTE

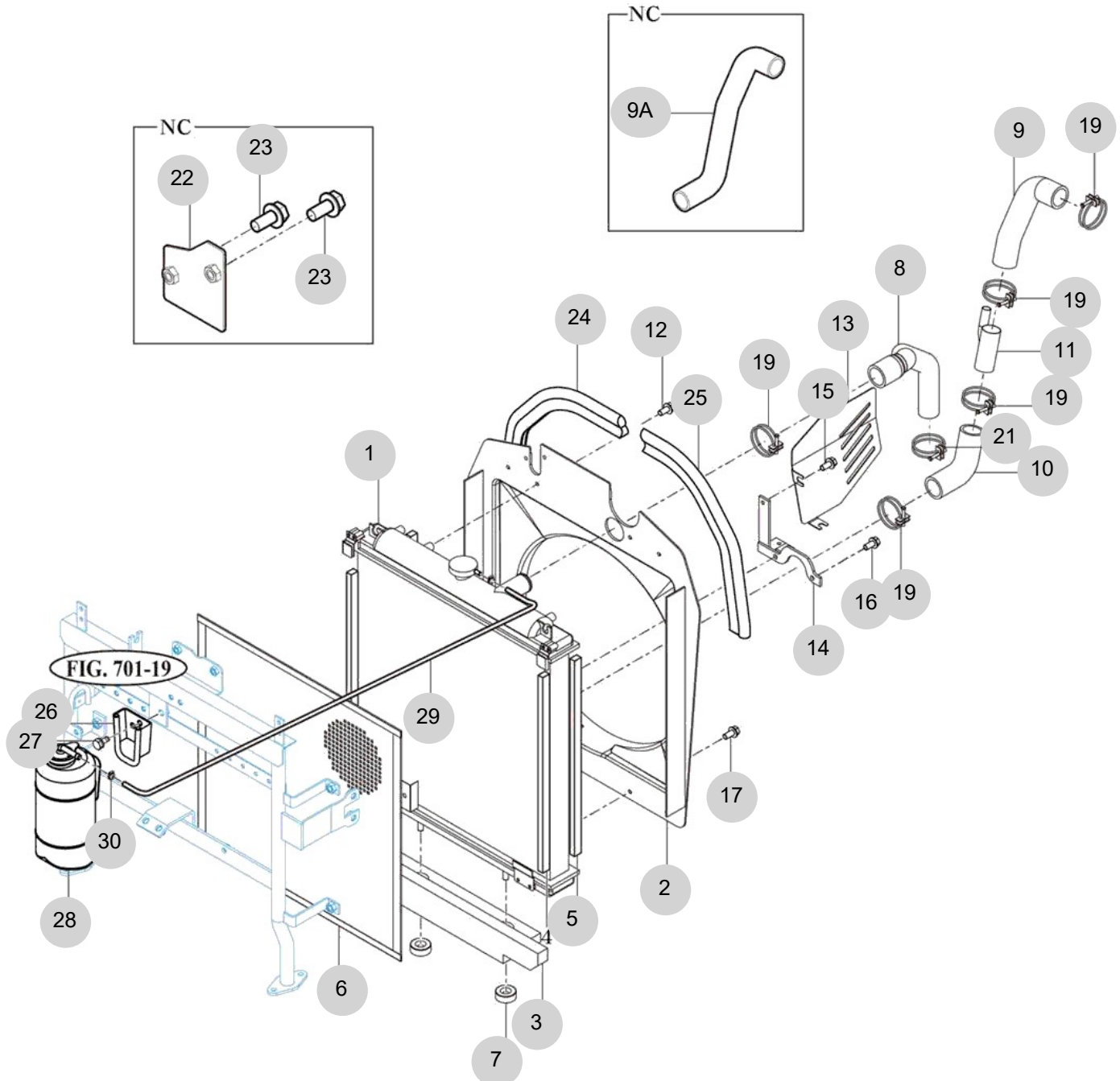
FIG 202

RADIATOR

년/월
Year/Month

2022-12

T454NH



NOTE

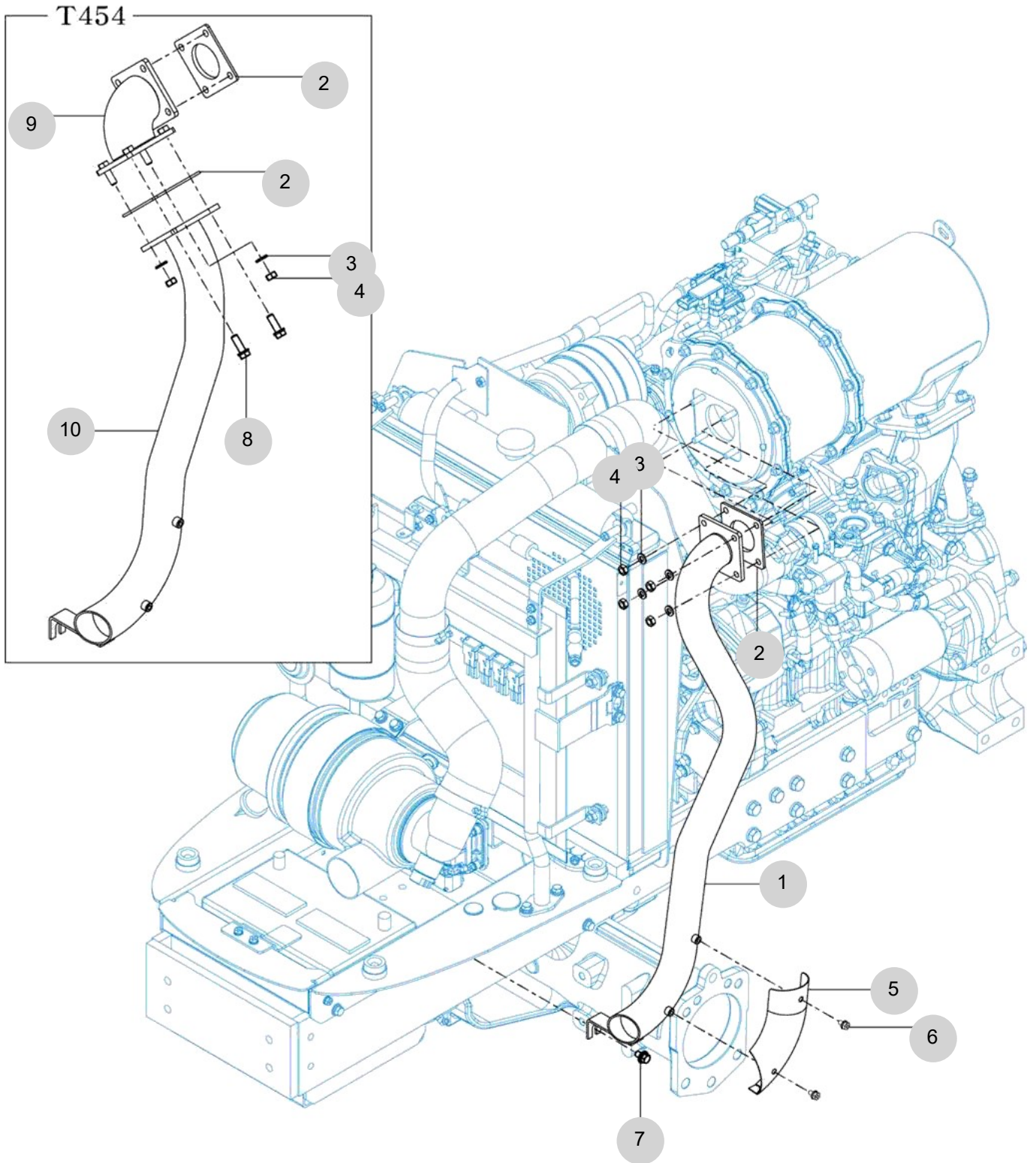
FIG 203

MUFFLER

년/월
Year/Month

2022-12

T454NH



NOTE

FIG 203		MUFFLER					년/월 Year/Month	
							2022-12	
T454NH								
KEY NO	PART NO	DESCRIPTION	SPEC	QTY	REPAIR	EFFECTIVE DATE	REMARKS	
203	2	17461030010	GASKET					
203	3	V4011600080	WASHER , SPRING	M8	6			
203	4	V3043600080	NUT , HEX/2	M8	6			
203	8	V2173608025	BOLT , HEX/S	M8X25	2			
203	9	17421054300DD	PIPE COMP , CONNECT		1			
203	10	17421054200DD	PIPE COMP , EXHAUST		1			
NOTE								

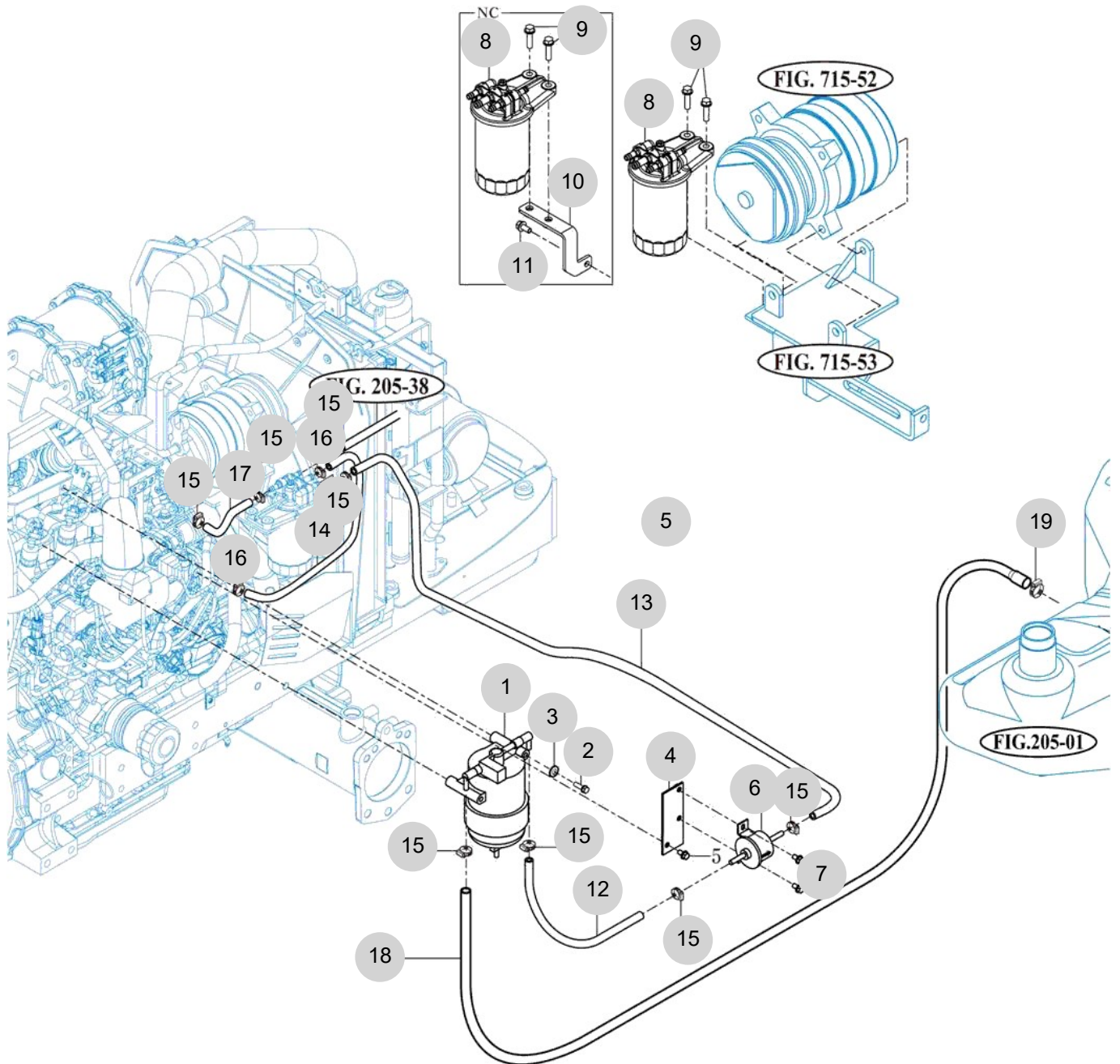
FIG 204

FUEL HOSE & FILTER

년/월
Year/Month

2022-12

T454NH



NOTE

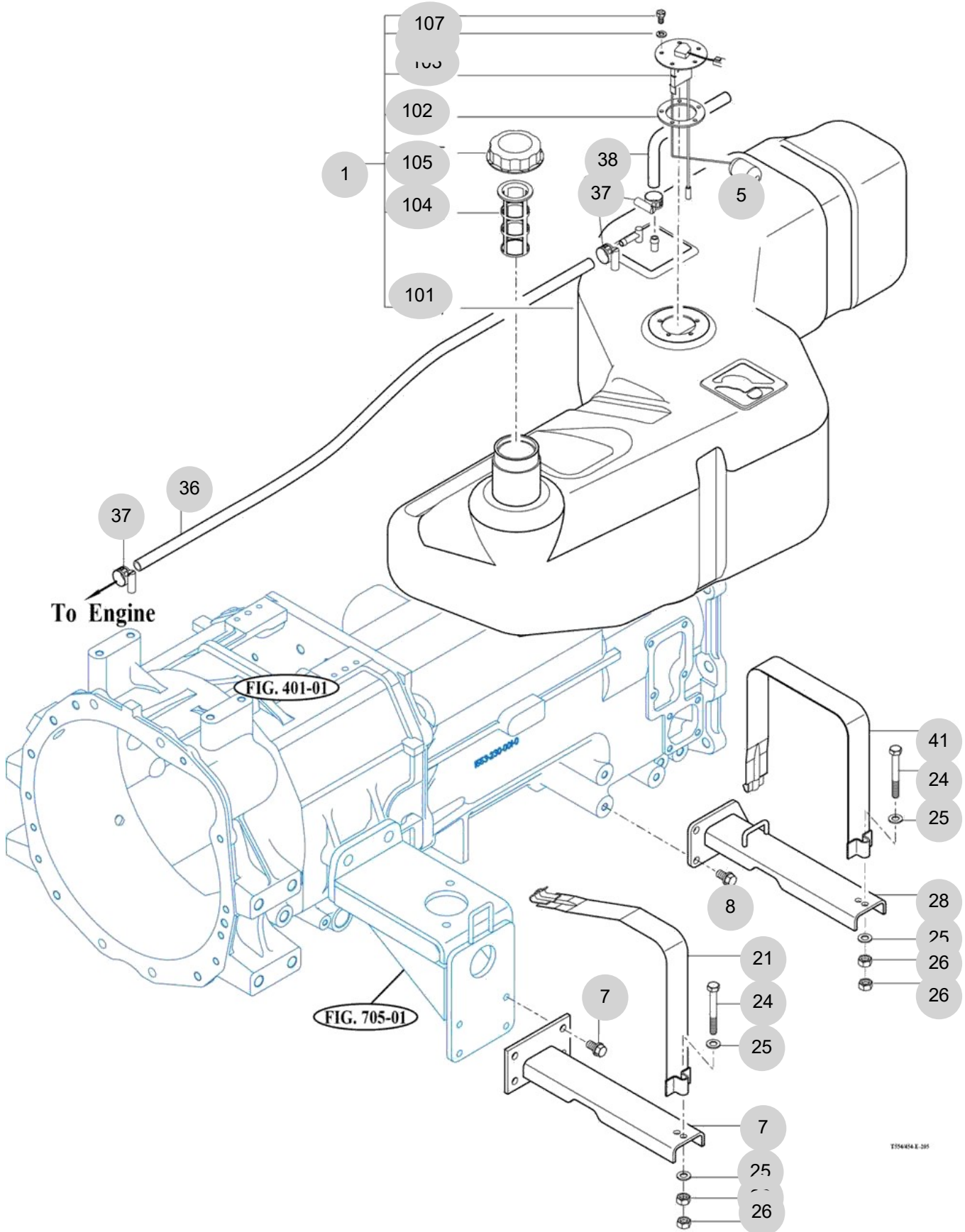
FIG 205

T454NH

FUEL TANK

년/월
Year/Month

2022-12



NOTE

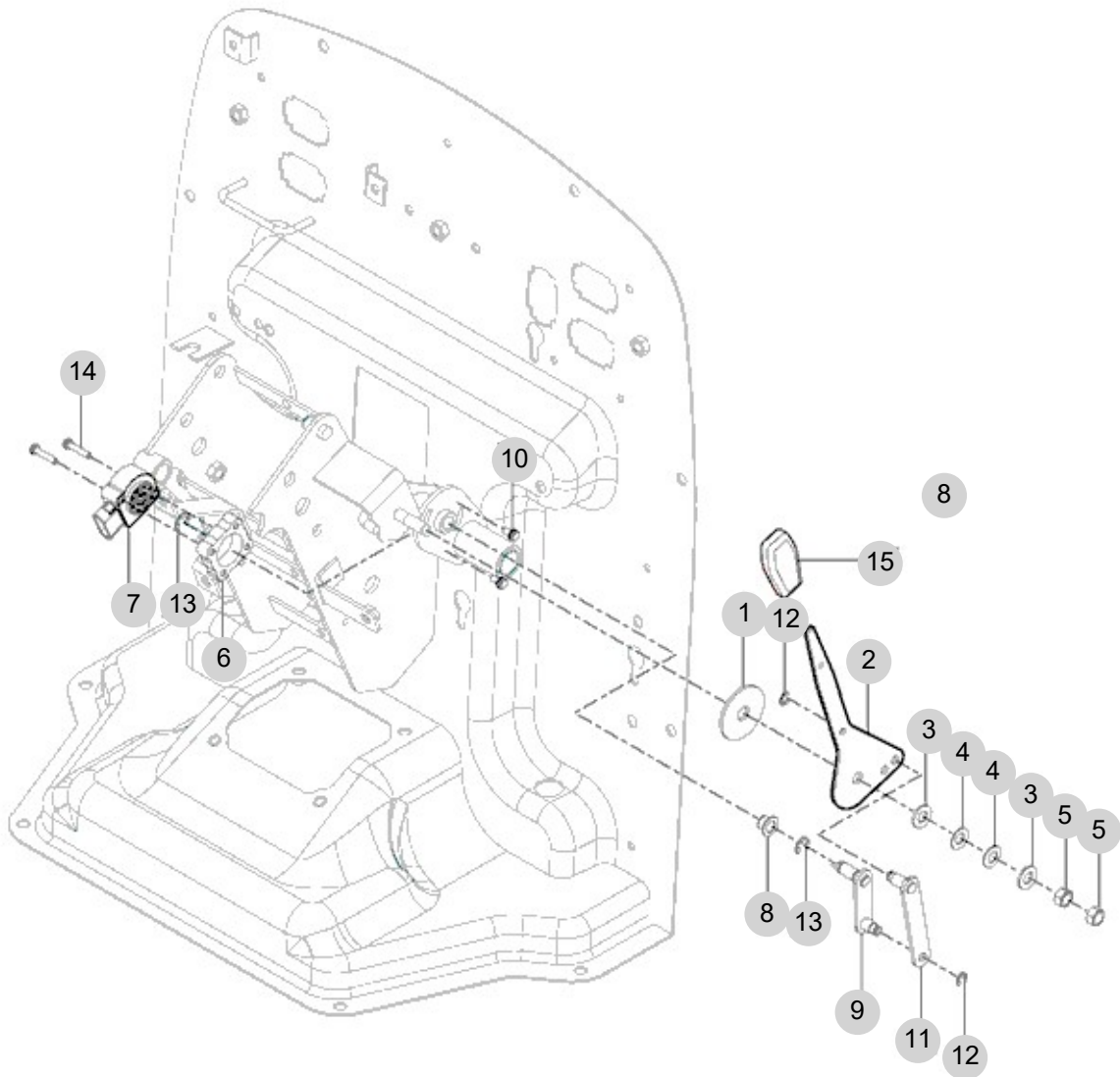
FIG 206

ACCELERATOR

년/월
Year/Month

T454NH

2022-12



NOTE

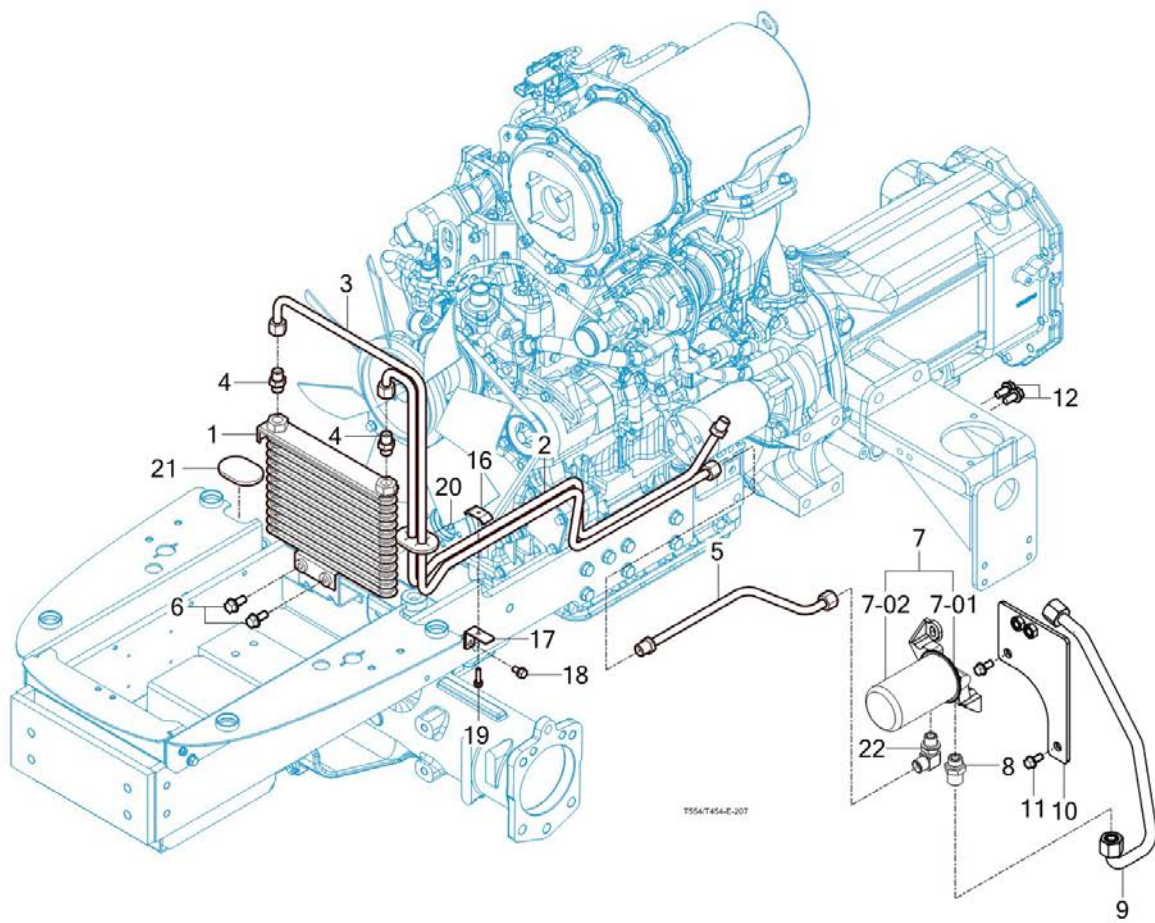
FIG 207

OIL COOLER

년/월
Year/Month

T454NH

2022-12



NOTE

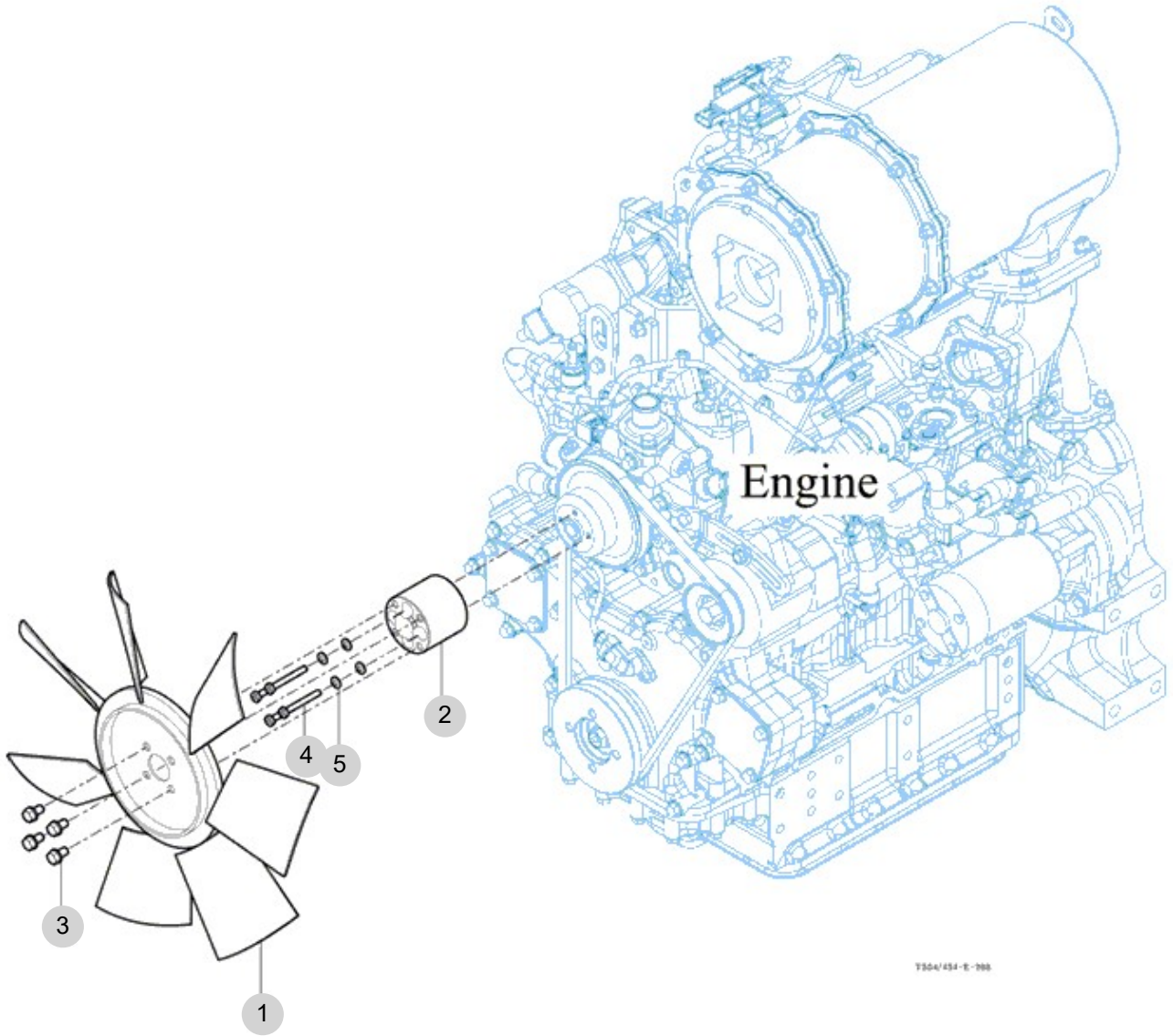
FIG 208

T454NH

FAN , COOLING

년/월
Year/Month

2022-12



T304/454-E-100

NOTE

3. Clutch/Brake/Steering PART NO. T3

FIG 301 CLUTCH	75
FIG 302 CLUTCH PEDAL	77
FIG 303 BRAKE	79
FIG 304 BRAKE PEDAL & LINK	81
FIG 305A FRONT WHEEL	83
FIG 305B FRONT WHEEL (R4 OPTION)	85
FIG 306A REAR WHEEL	87
FIG 306B REAR WHEEL (R4 OPTION)	89
FIG 307 POWER STEERING WHEEL	91
FIG 308 POWER STEERING VALVE	93
FIG 309 POWER STEERING CYLINDER	95

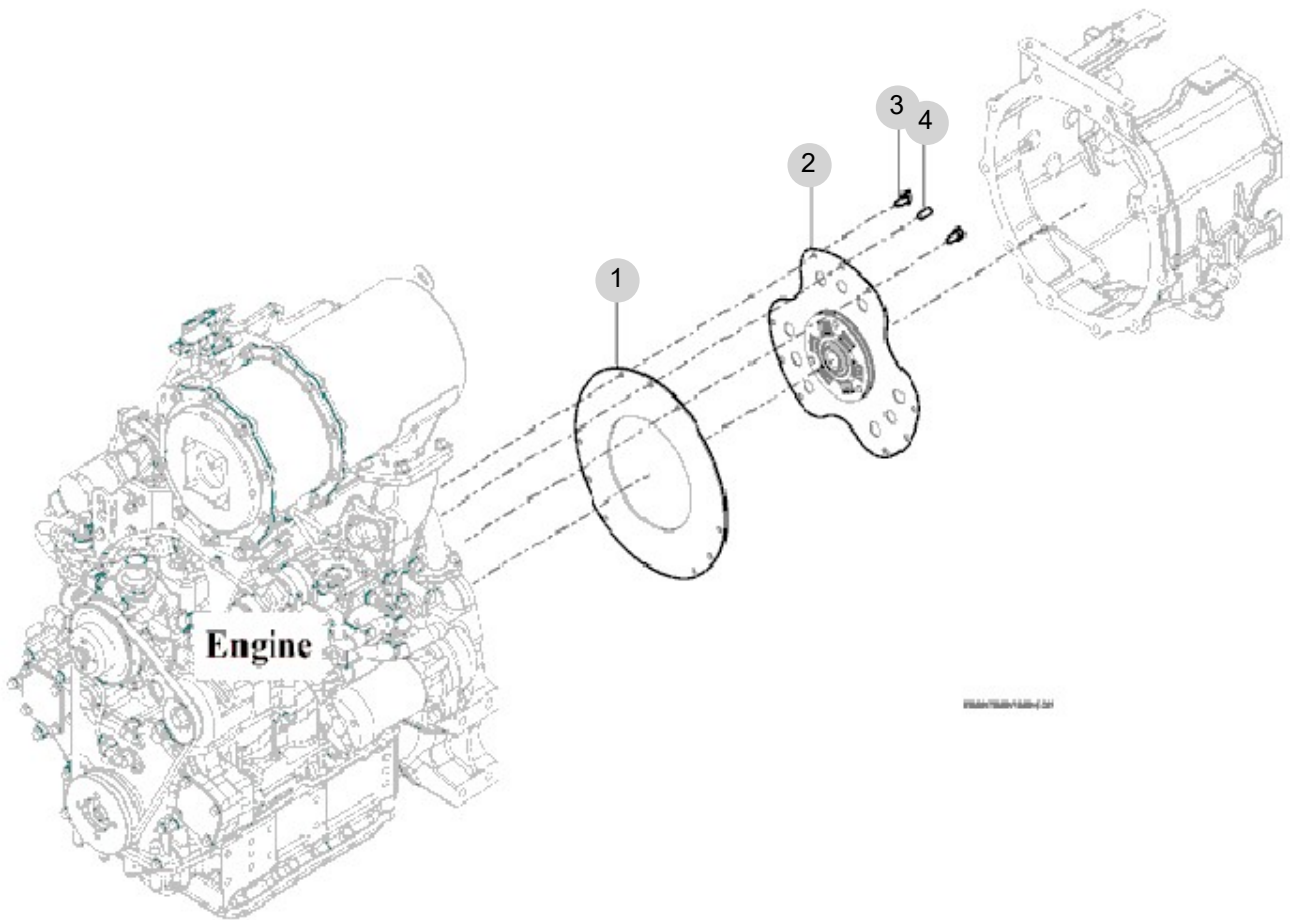
FIG 301

T454NH

CLUTCH

년/월
Year/Month

2022-12



NOTE

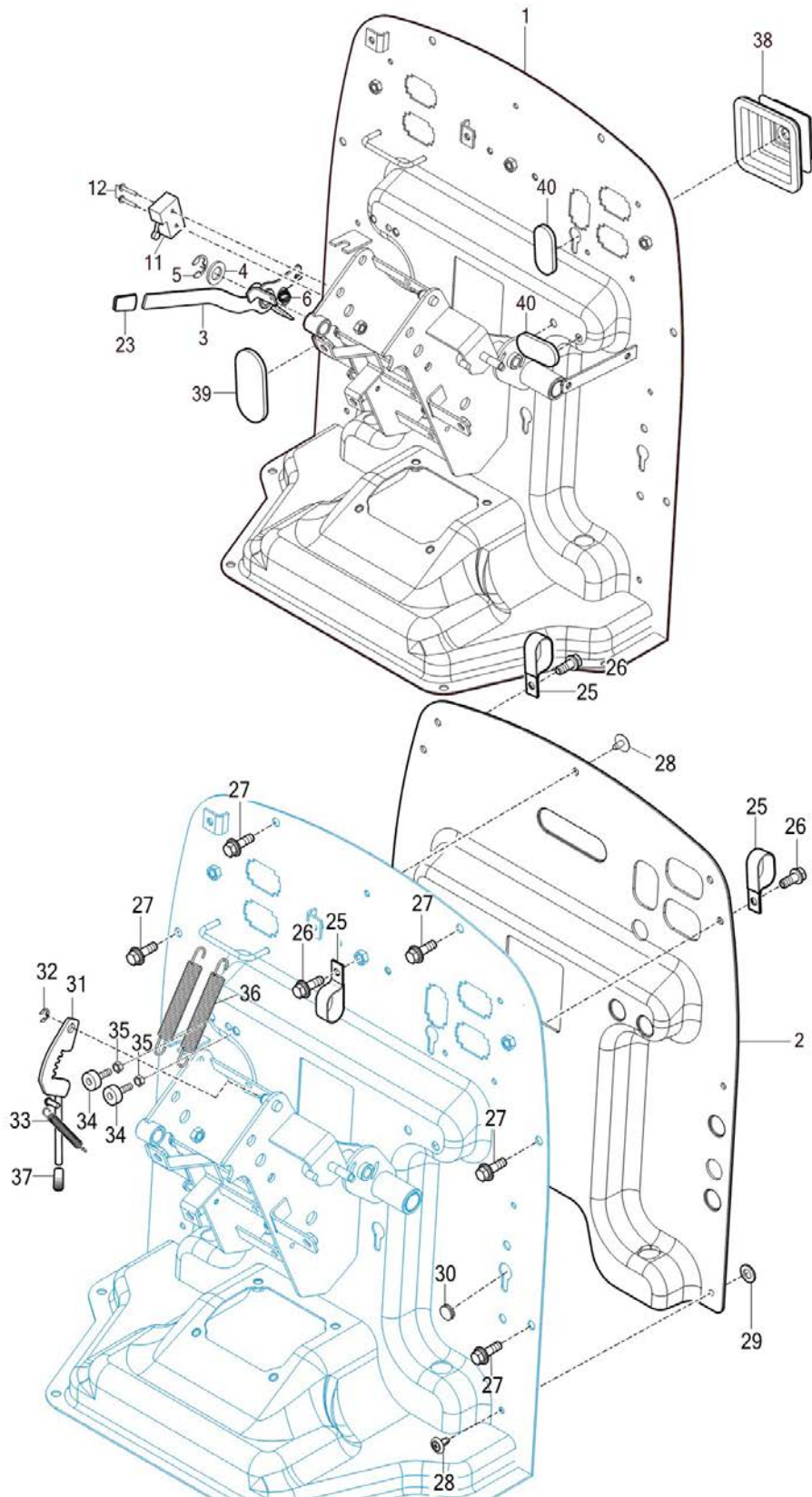
FIG 302

CLUTCH PEDAL

년/월
Year/Month

2022-12

T454NH



NOTE

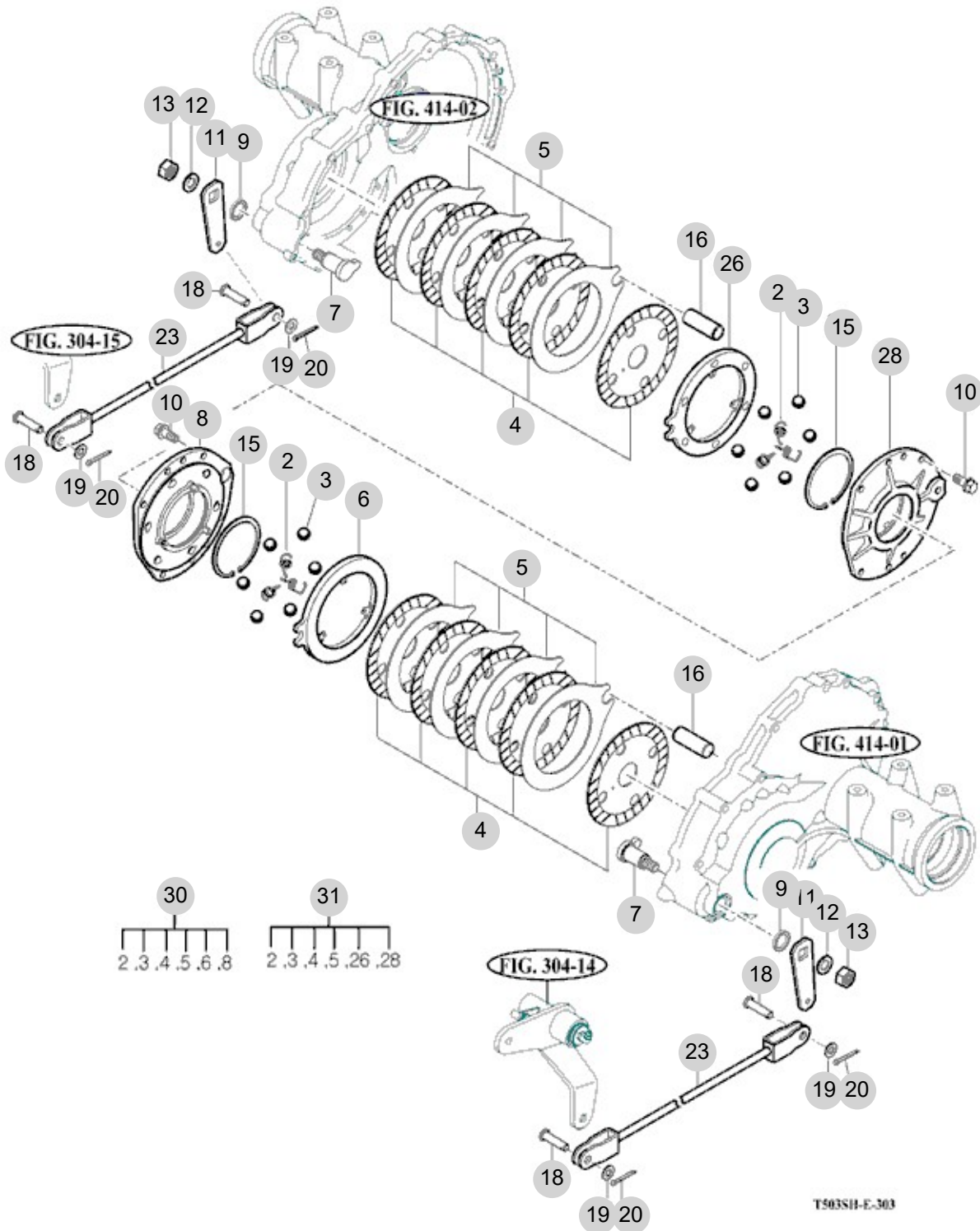
FIG 303

BRAKE

년/월
Year/Month

T454NH

2022-12



NOTE

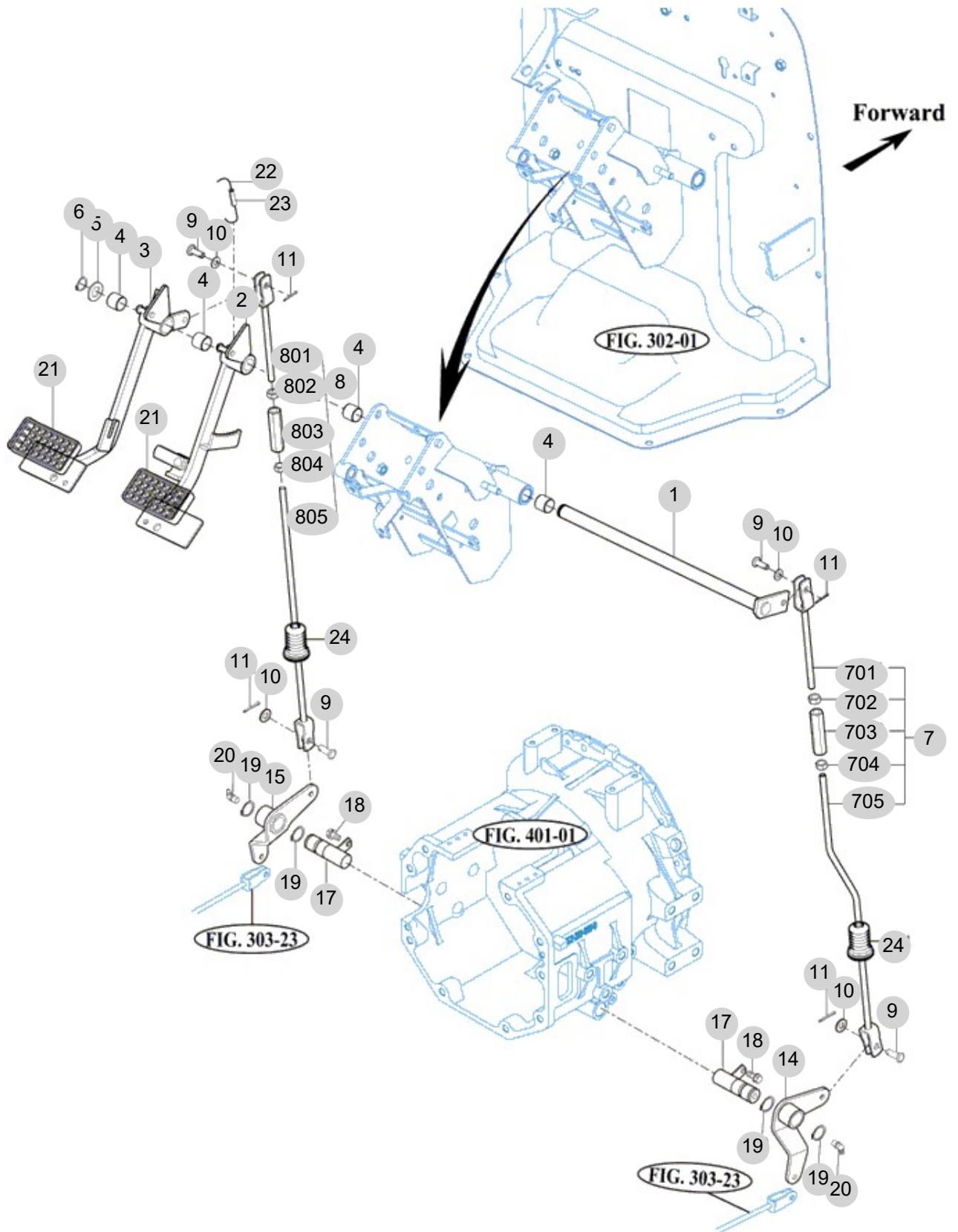
FIG 304

BRAKE PEDAL & LINK

년/월
Year/Month

2022-12

T454NH



NOTE

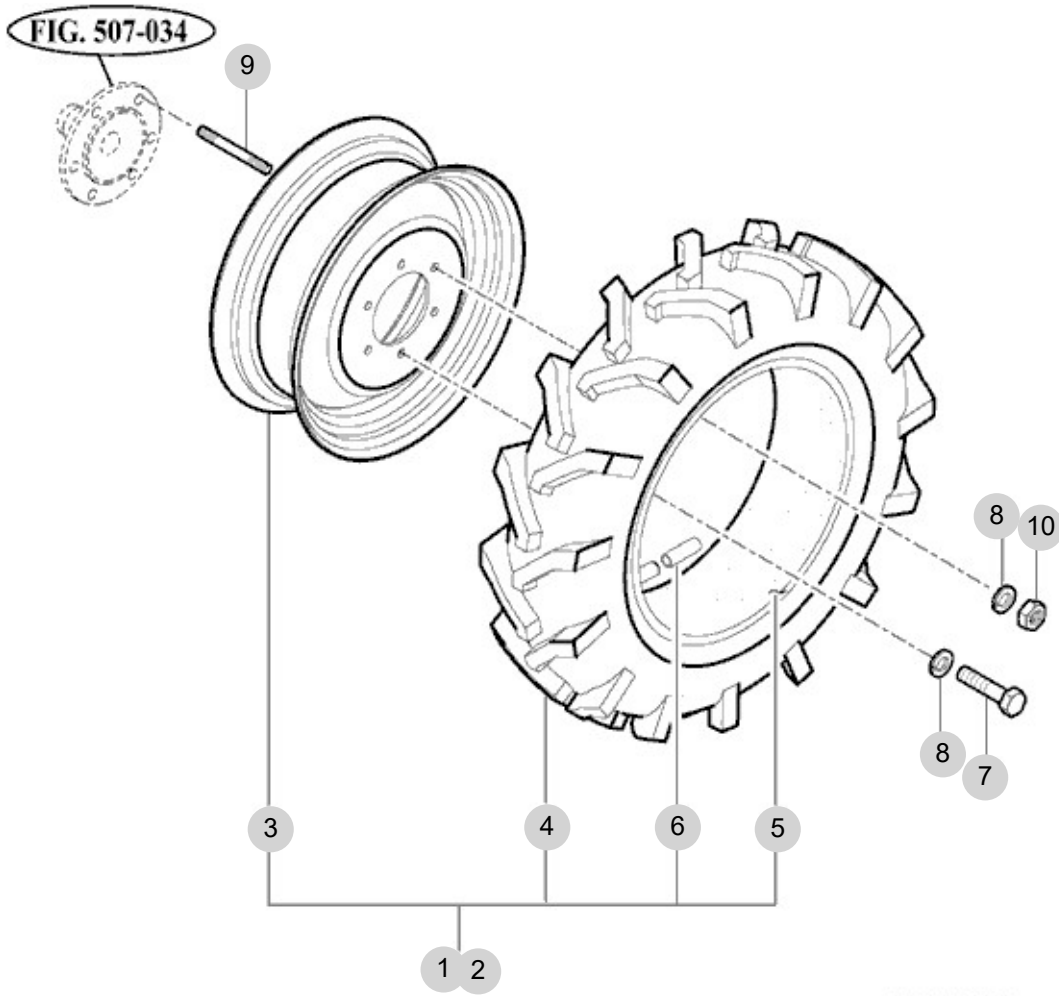
FIG 305A

FRONT WHEEL

년/월
Year/Month

2022-12

T454NH



T503HST-E-305A

NOTE

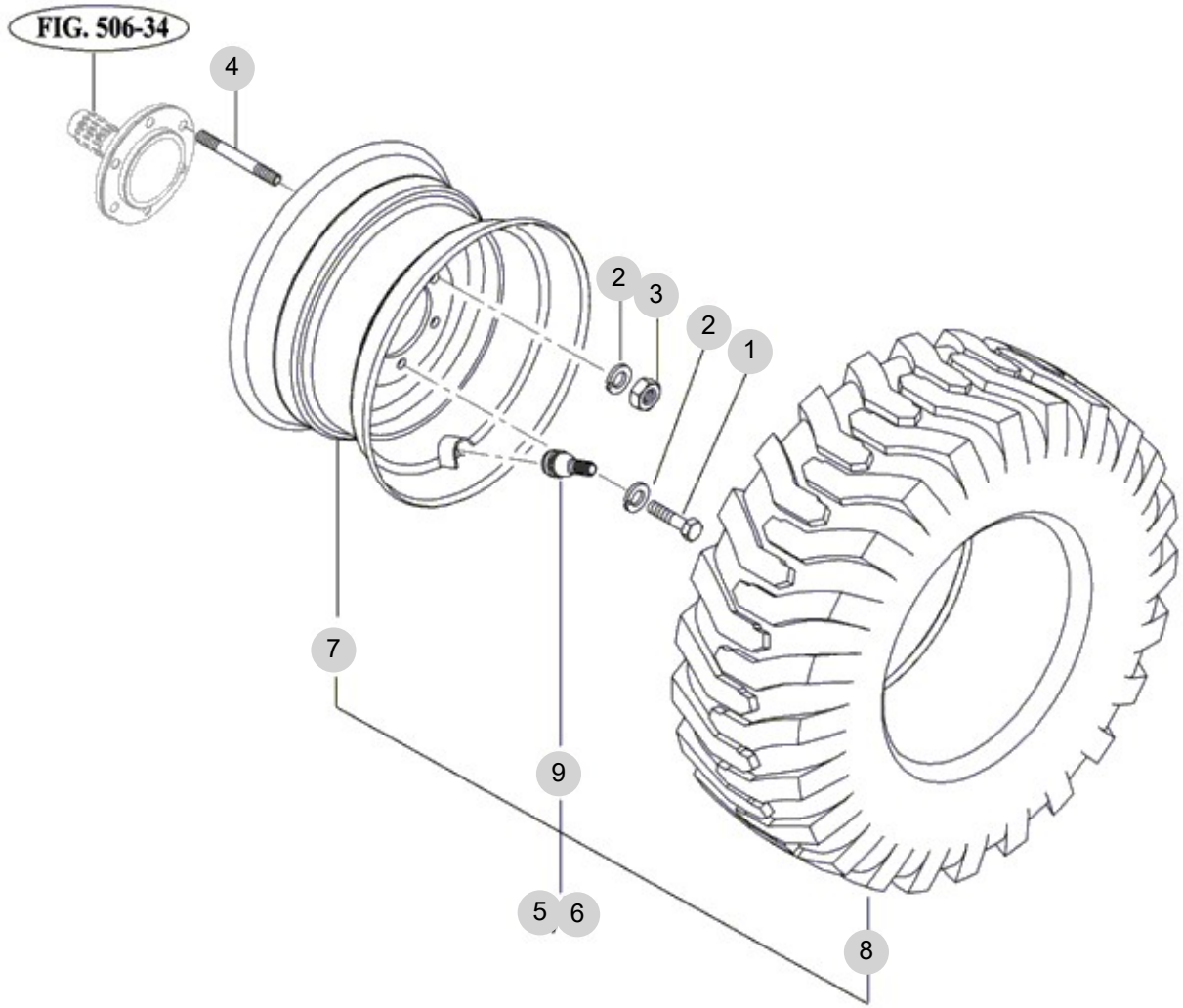
FIG 305B

T454NH

FRONT WHEEL (R4 OPTION)

년/월
Year/Month

2022-12



T503-E-305C

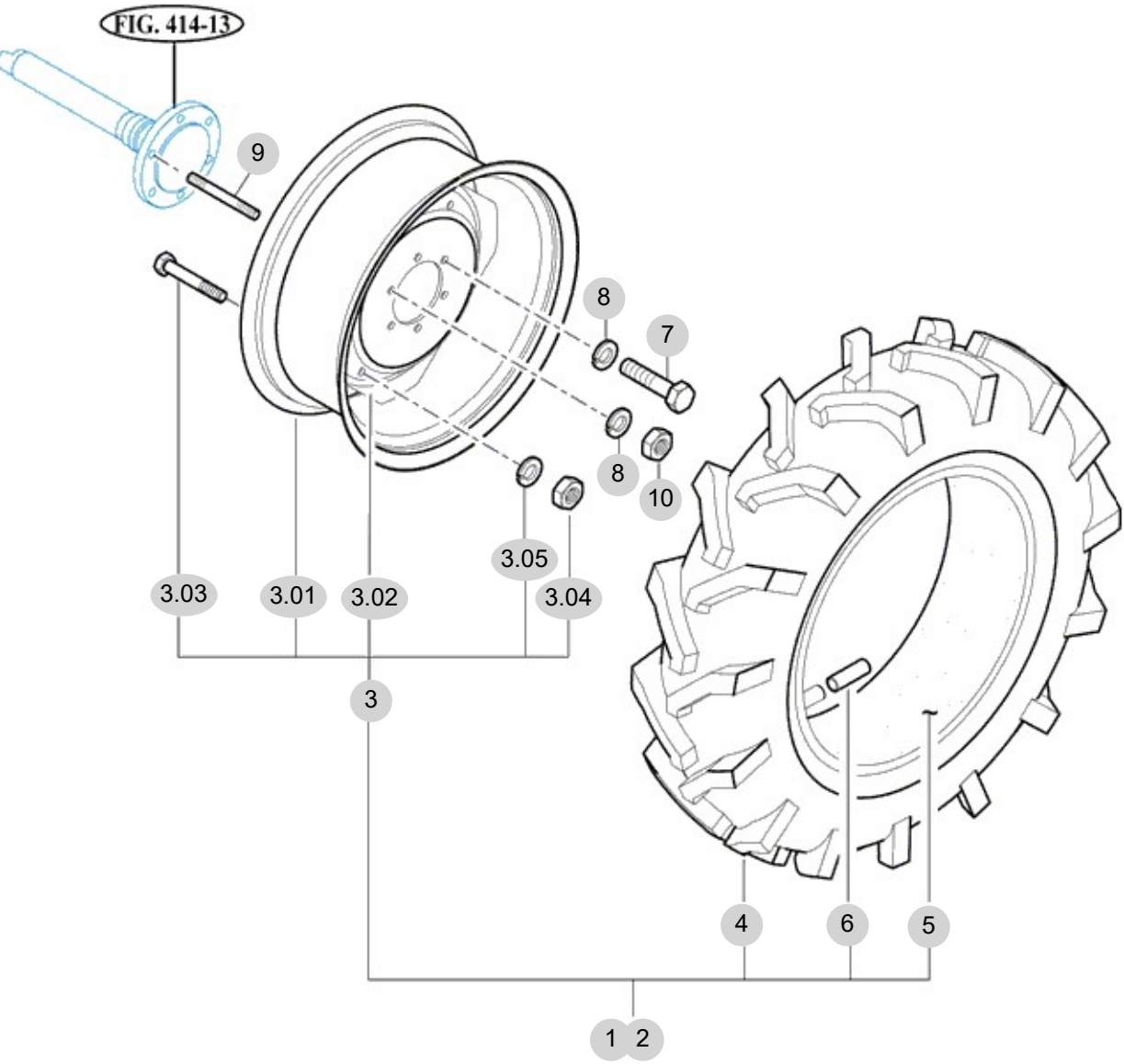
NOTE

FIG 306A

REAR WHEEL

년/월
Year/Month

2022-12



NOTE

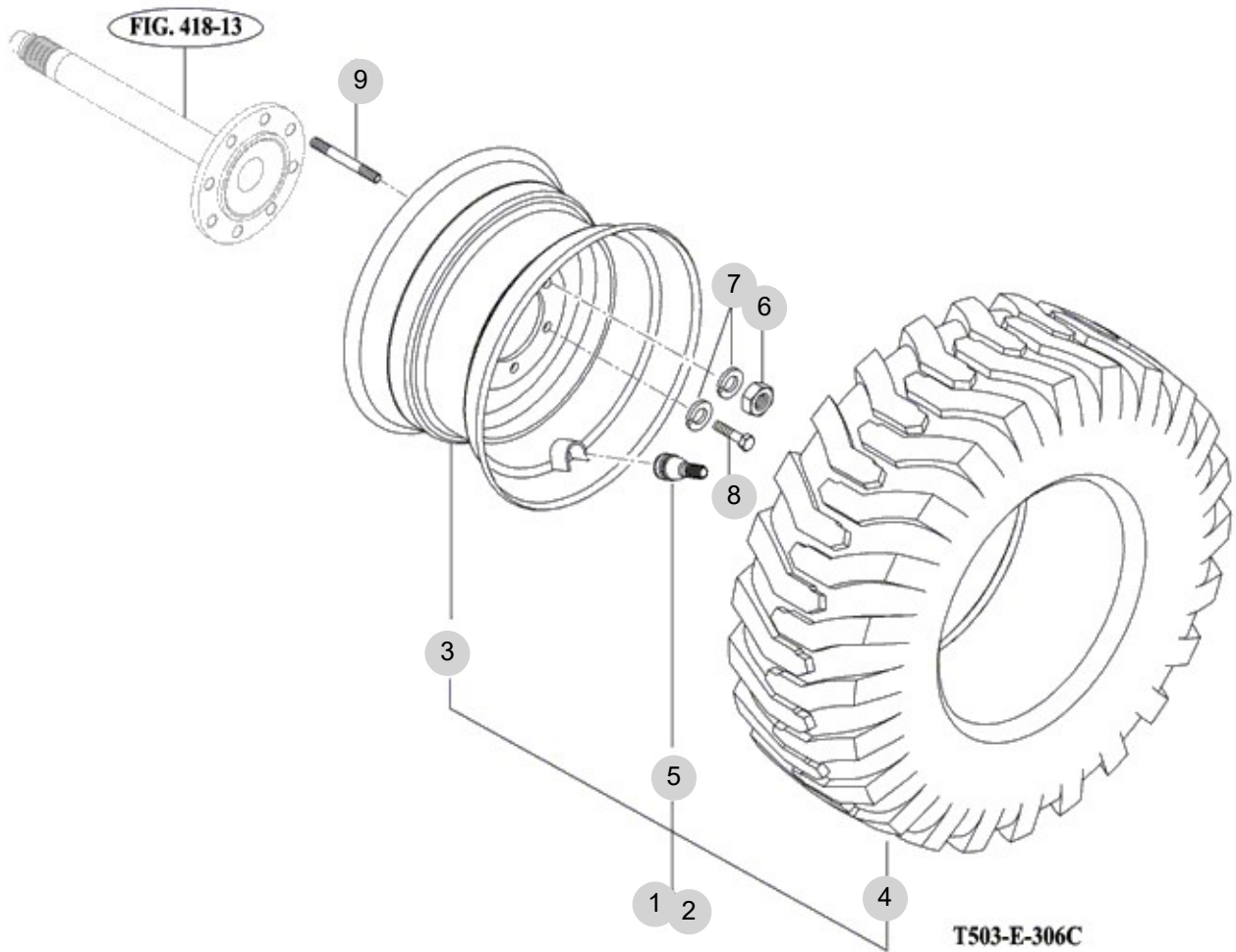
FIG 306B

T454NH

REAR WHEEL (R4 OPTION)

년/월
Year/Month

2022-12



NOTE

FIG 306B T454NH		REAR WHEEL (R4 OPTION)						년/월 Year/Month	REMARKS
								2022-12	
KEY NO	PART NO	DESCRIPTION	SPEC	QTY	REPAIR	EFFECTIVE DATE			
306B	1	12144403100	TIRE ASSY , LH 17.5L-24	1X1X1	1				
306B	2	12144403200	TIRE ASSY , RH 17.5L-24	1X1X1	1				
306B	3	15174172200SR	RIM , W15LX24	24X15	2				
306B	3	15174172200MS	RIM , W15LX24	24X15	2				
306B	4	12206172110	TIRE , 17.5L-24 R4	17.5L- 24,8PR,R4	2				
306B	5	13153409000	VALVE SUB(415) , TIRE	415	2				
306B	6	V3343600160	NUT , HEX FINE/2	M16	4				
306B	7	V4011600160	WASHER , SPRING	M16	12				
306B	8	V2014616030	BOLT , HEX	M16X30	8				
306B	9	15603200010	BOLT , STUD M16X30	D=16	4				
NOTE									

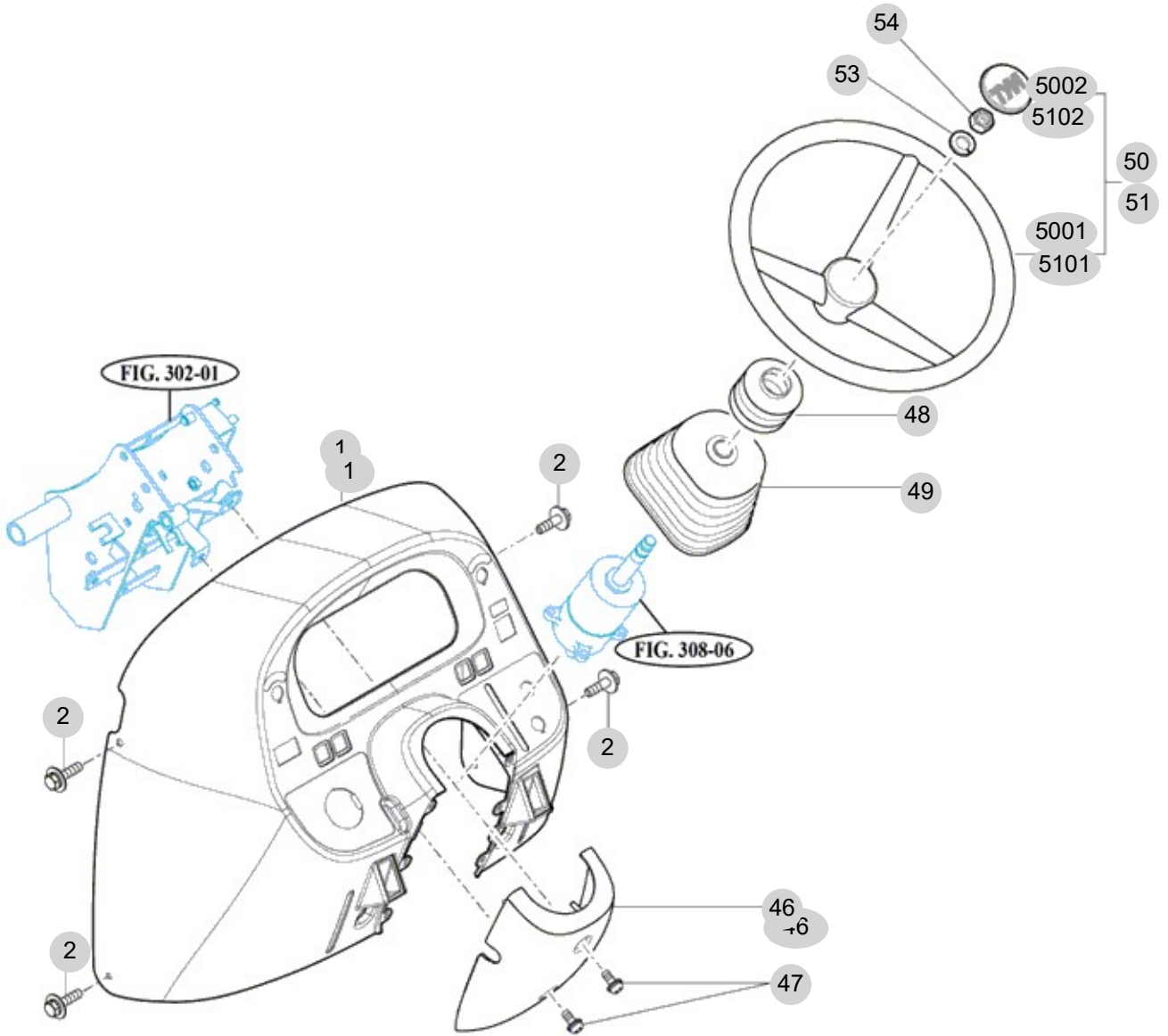
FIG 307

T454NH

POWER STEERING WHEEL

년/월
Year/Month

2022-12



NOTE

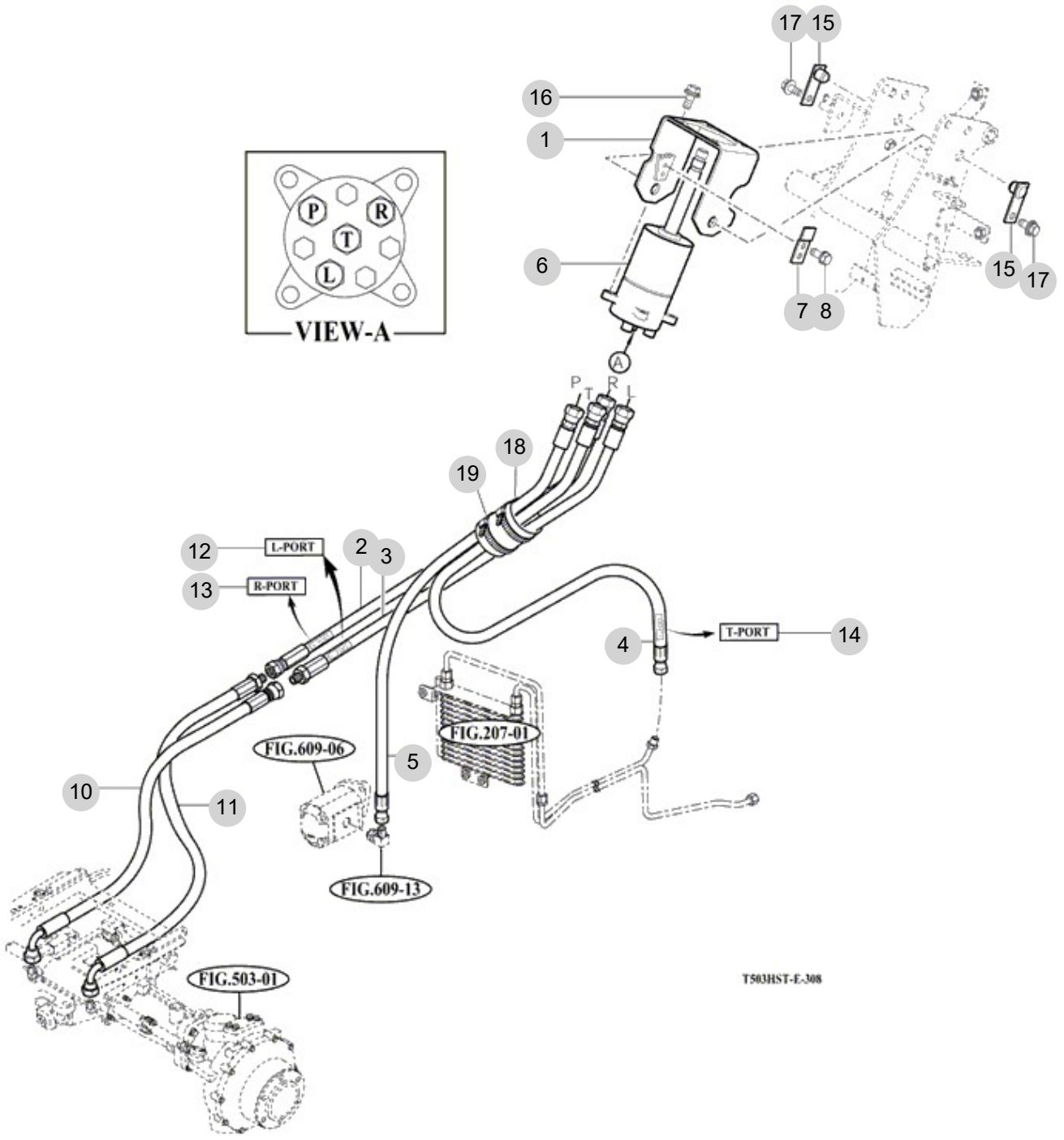
FIG 308

POWER STEERING VALVE

년/월
Year/Month

2022-12

T454NH



T503HST-E-308

NOTE

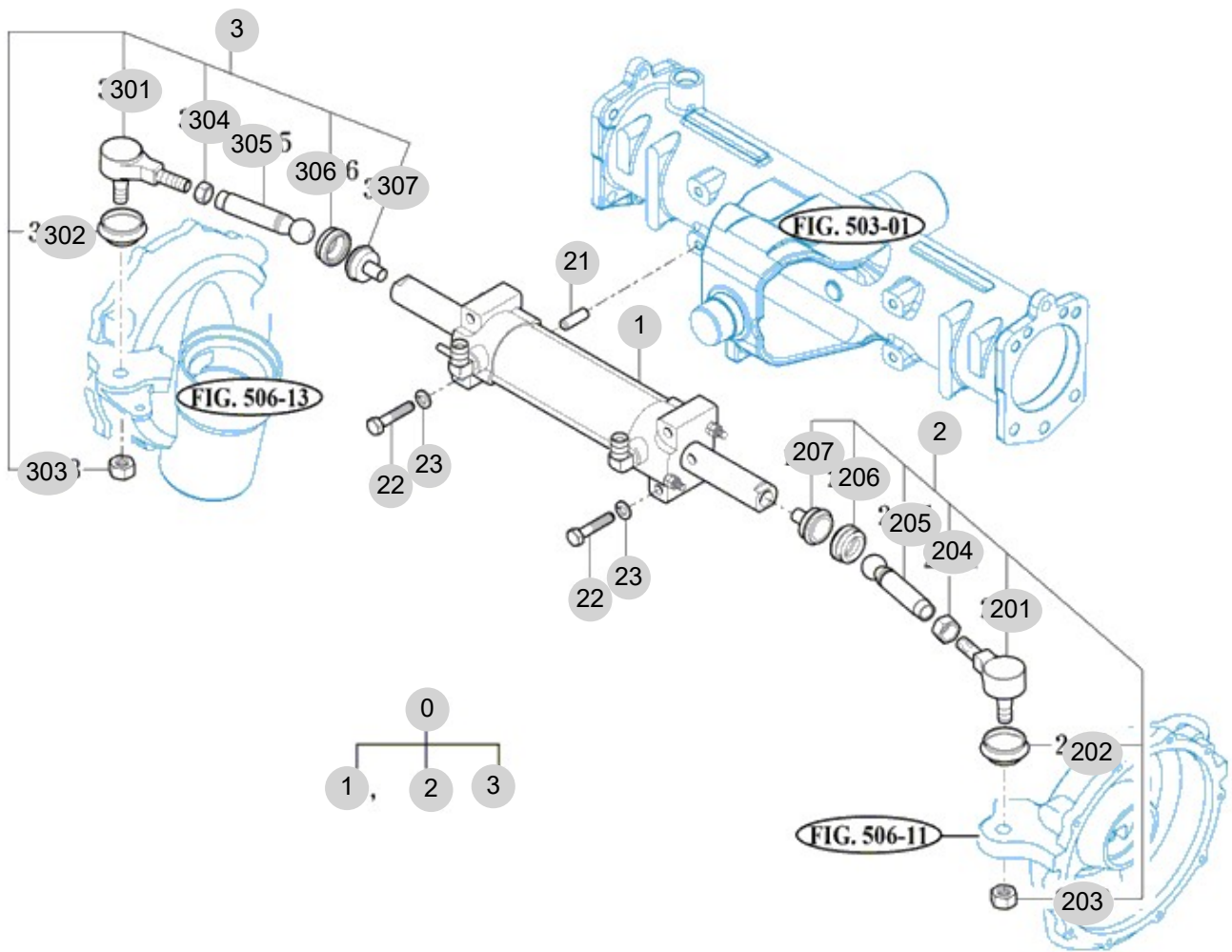
FIG 309

POWER STEERING CYLINDER

년/월
Year/Month

2022-12

T454NH



TINOTSHET4452.00

NOTE

4. Transmission PART NO. T4

FIG 401 TRANSMISSION FRONT CASE	98
FIG 402 HST	100
FIG 402-1 HST	102
FIG 403 MID TRANSMISSION CASE	104
FIG 404 TRANSTER GEAR SET	106
FIG 405 TRANSMISSION REAR CASE	108
FIG 406 SUB CHANGE GEARS	110
FIG 407 SUB CHANGE SHIFTER	112
FIG 408 DRIVE GEARS	114
FIG 409 4WD CHANGE LEVER	116
FIG 410 P.T.O DRIVE SHAFT	118
FIG 411 P.T.O CHANGE GEARS	120
FIG 412 REAR DIFFERENTIAL GEARS	122
FIG 413 REAR AXLE HOUSING	125

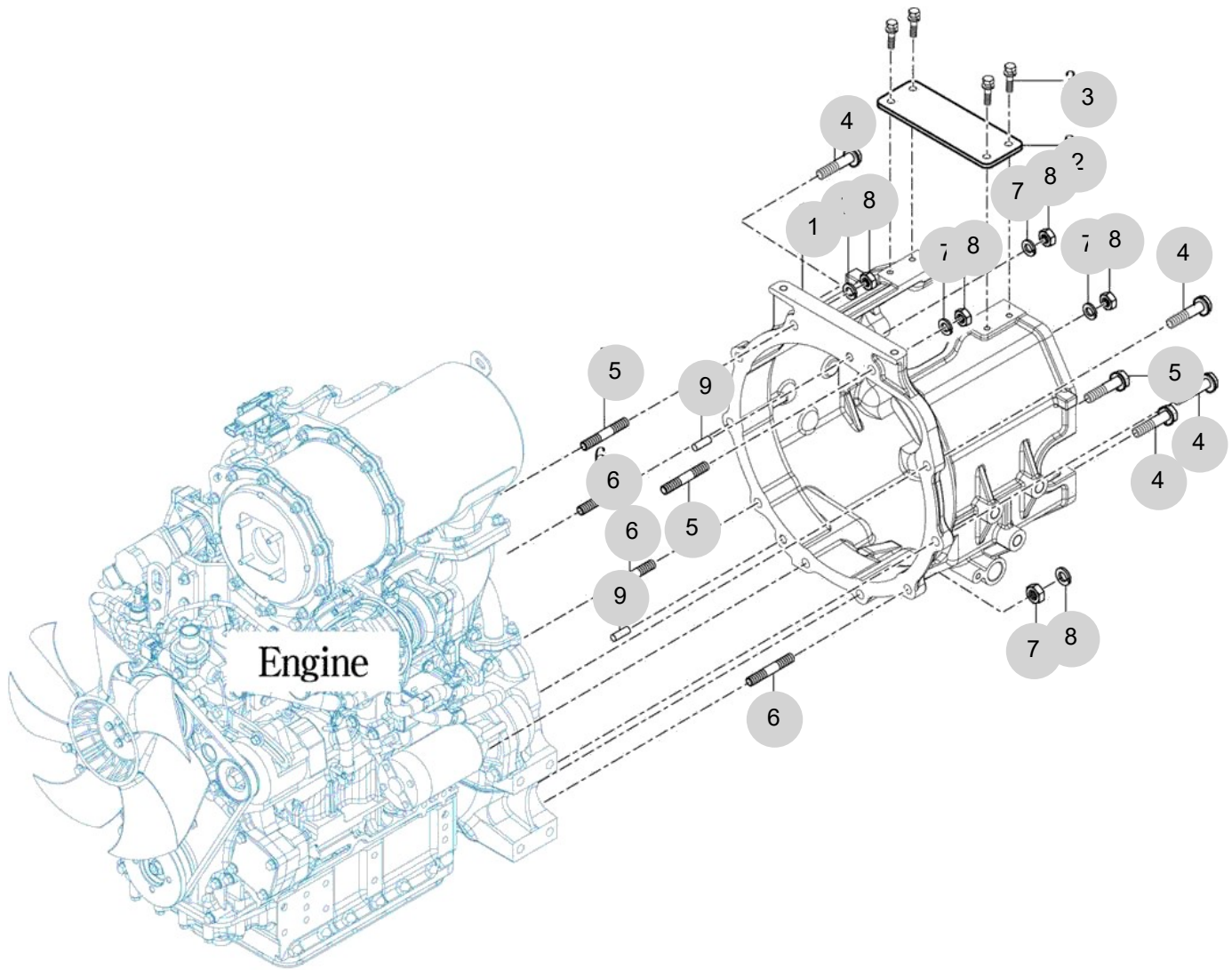
FIG 401

TRANSMISSION FRONT CASE

년/월
Year/Month

2022-12

T454NH



TSSN1T55831T454NH-01

NOTE

FIG 401 T454NH		TRANSMISSION FRONT CASE					년/월 Year/Month	
							2022-12	
KEY NO	PART NO	DESCRIPTION	SPEC	QTY	REPAIR	EFFECTIVE DATE	REMARKS	
401	1	17482100011M	CASE , FRONT					
401	2	15532100020	COVER, FRONT CASE	T=6				
401	3	V2173608016	BOLT , HEX/S	M8X16	4			
401	4	V2173612040	BOLT , HEX/S	M12X40	5			
401	5	V2513412045	BOLT , STUD/2	M12X45	2			
401	6	V2514412040	BOLT , STUD/2	M12X40	3			
401	7	V4011600120	WASHER , SPRING	M12	5			
401	8	V3043600120	NUT , HEX/2	M12	5			
401	9	V5201010022	PIN , PARALLEL/A	10X22	2			
NOTE								

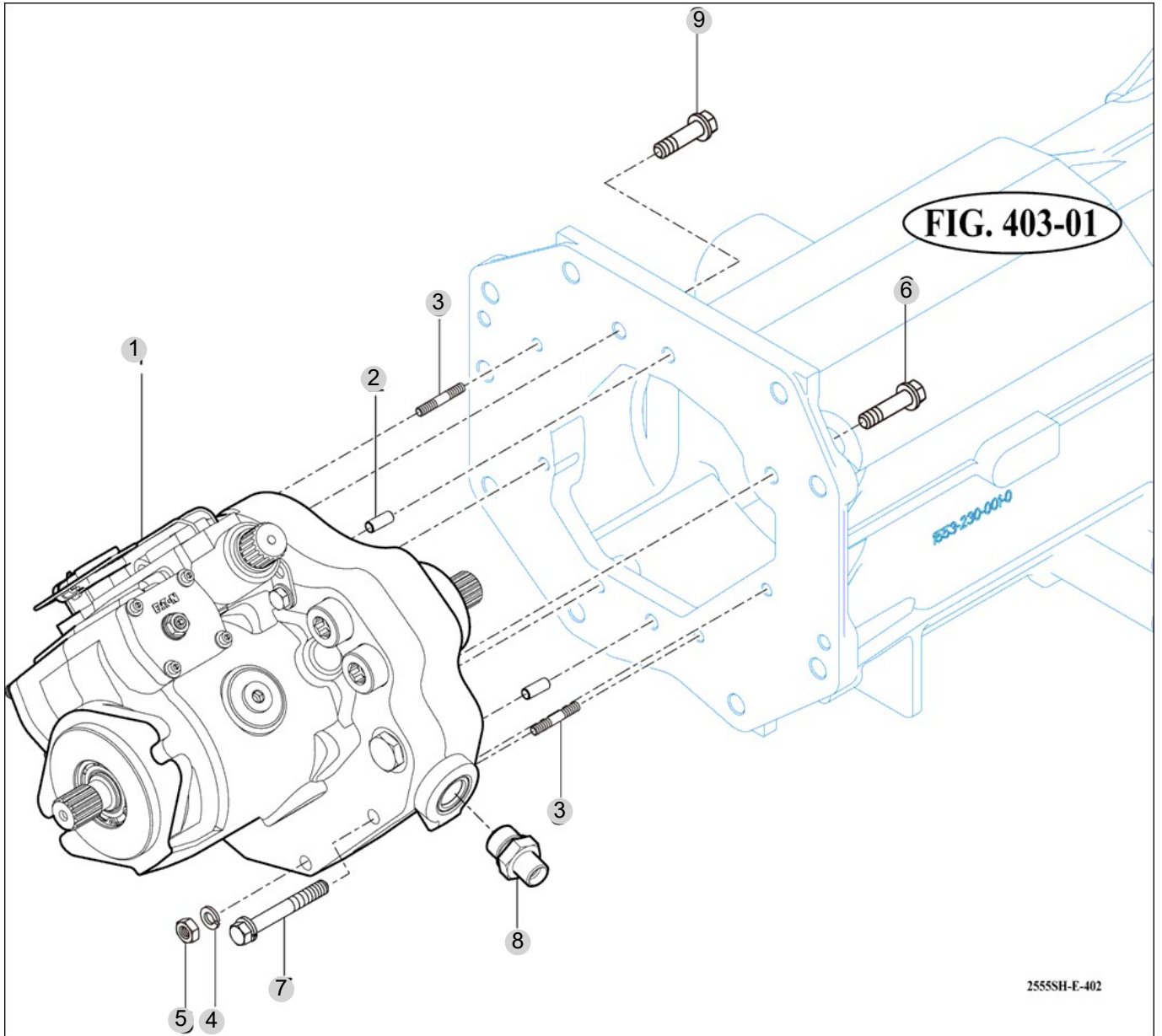
FIG 402

T454NH

HST

년/월
Year/Month

2022-12



NOTE

FIG 402		HST						년/월 Year/Month	
T454NH								2022-12	
KEY NO	PART NO	DESCRIPTION	SPEC	QTY	REPAIR	EFFECTIVE DATE	REMARKS		
402	1	15532302000	HST ASSY(77122-RAL-02)	1					
402	2	V5201010020	PIN , PARALLEL/A	10X20	2				
402	3	V2513410090	BOLT , STUD/2	M10X90	2				
402	4	V4011600100	WASHER , SPRING	M10	2				
402	5	V3043600100	NUT , HEX/2	M10	2				
402	6	V2174610035	BOLT , HEX/S		2				
402	6	V2174610035	BOLT , HEX/S	M10X35	1				
402	7	V2173610085	BOLT , HEX/S	M10X85	3				
402	8	14722302200	UNION UNIT , HST	B=27	1				
402	9	V2174610030	BOLT , HEX/S	M10X30	1				
NOTE									

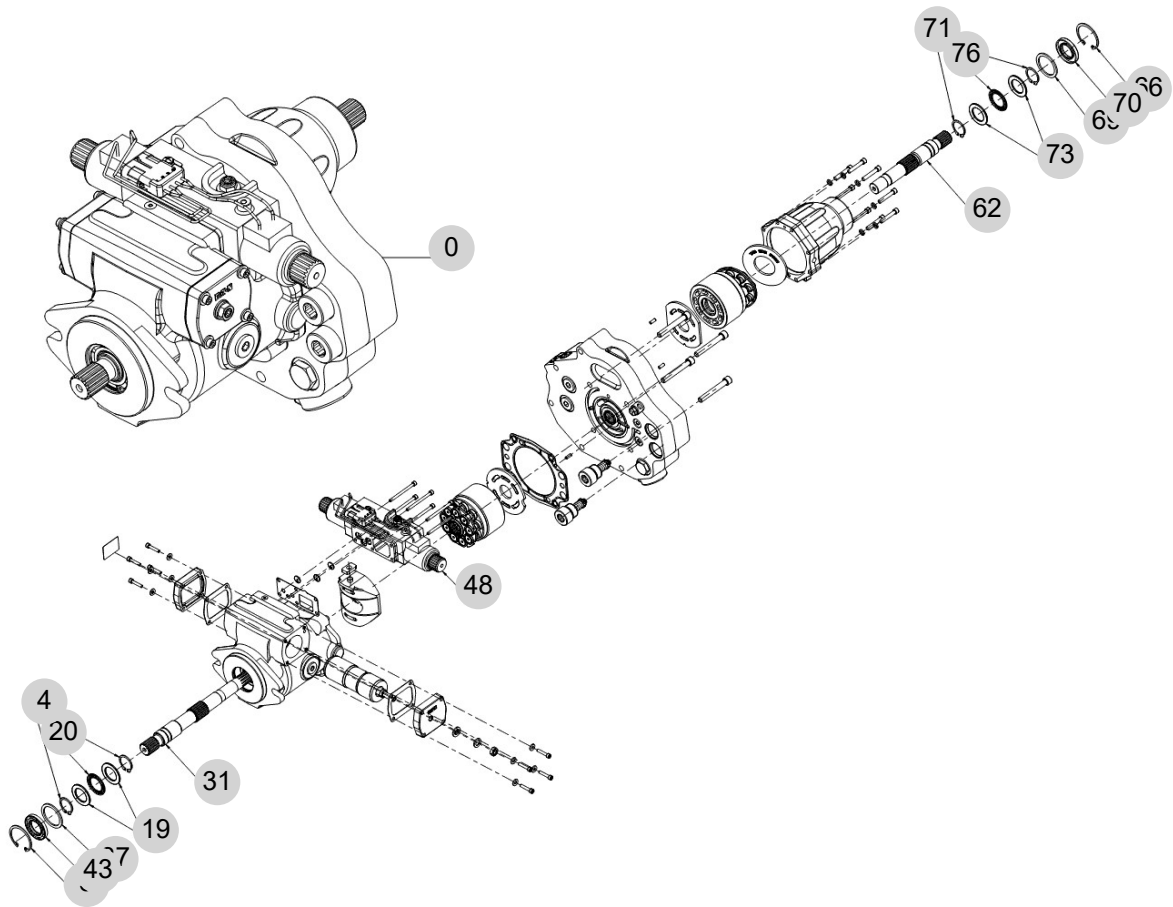
FIG 402-1

HST

년/월
Year/Month

T454NH

2022-12



NOTE

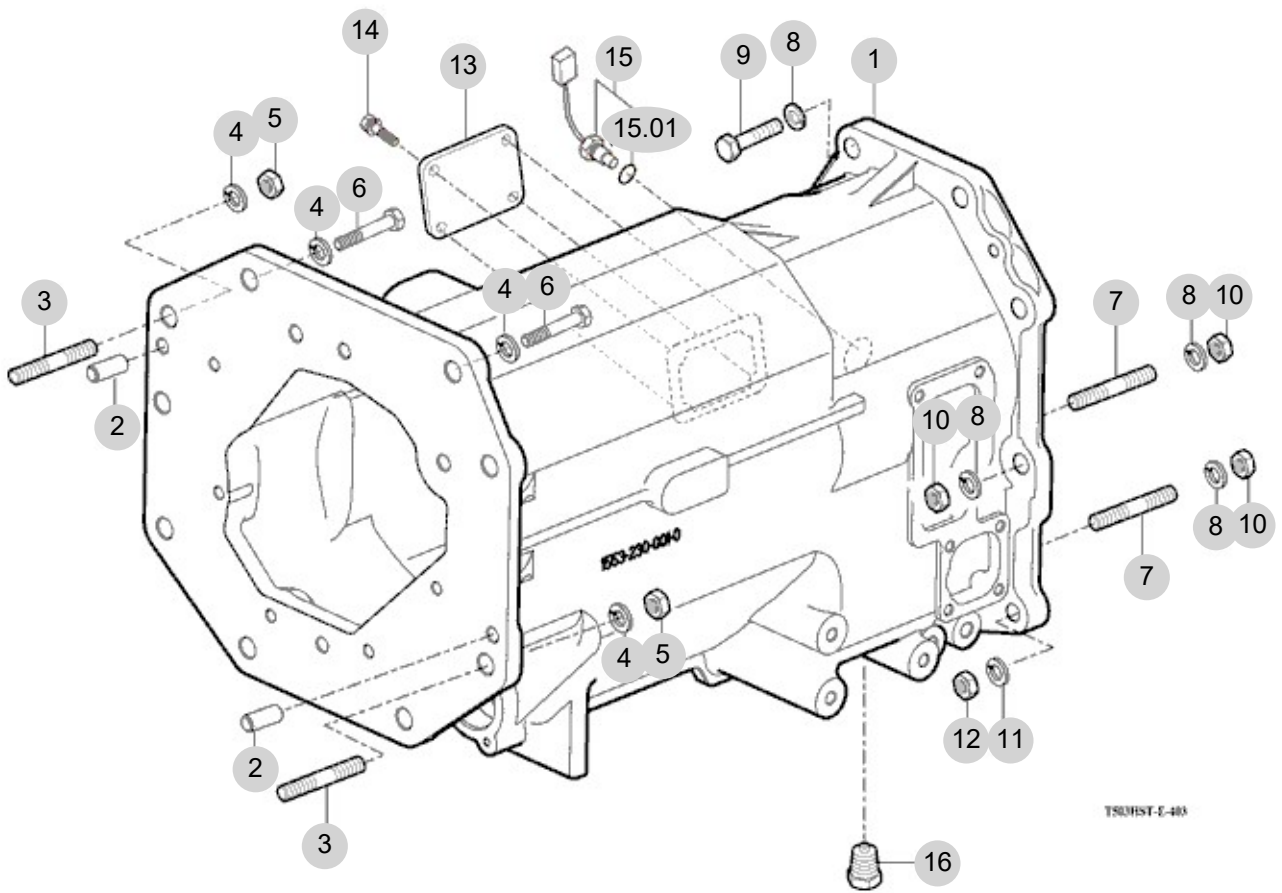
FIG 403

T454NH

MID TRANSMISSION CASE

년/월
Year/Month

2022-12



NOTE

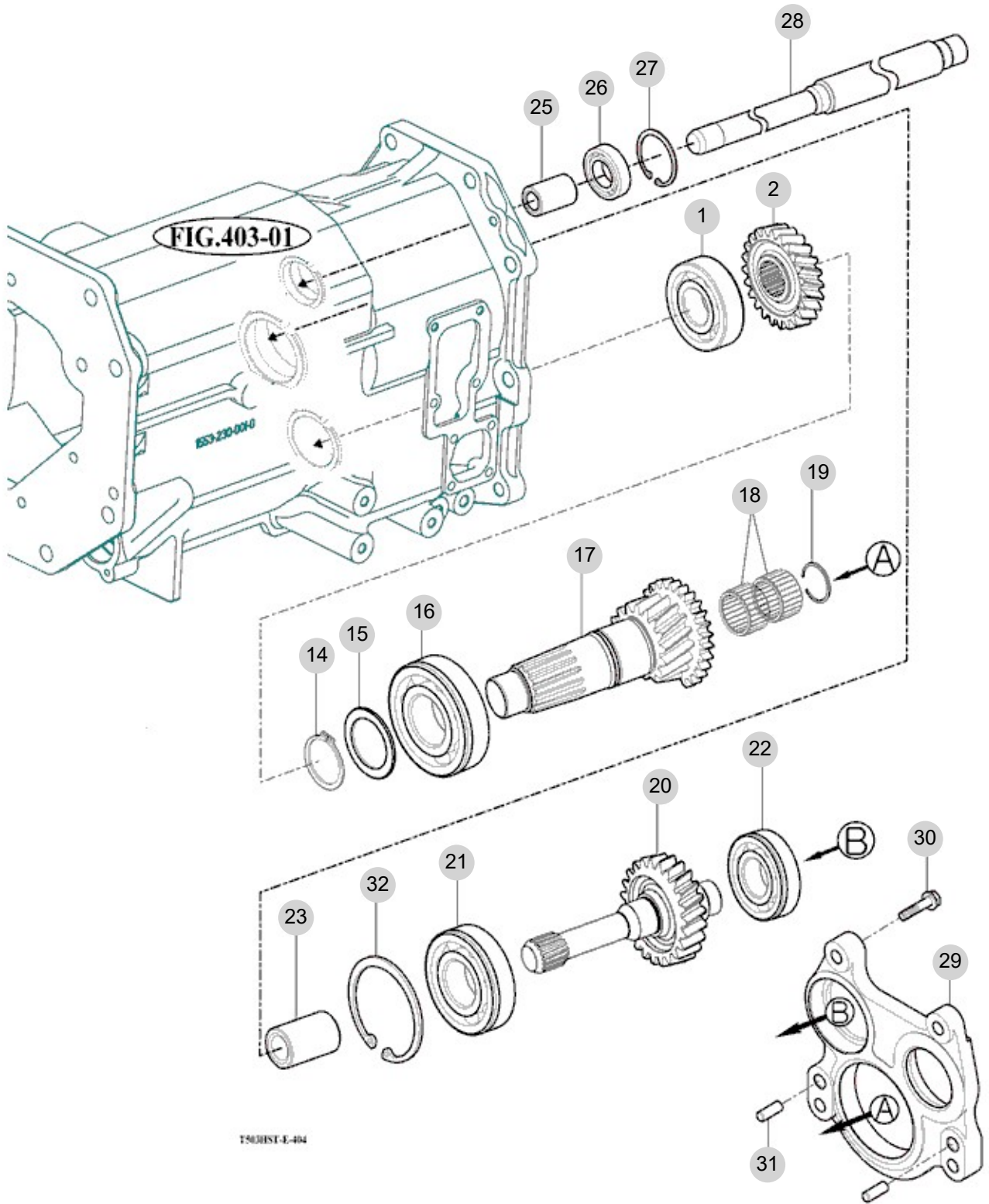
FIG 404

TRANSFER GEAR SET

년/월
Year/Month

2022-12

T454NH



NOTE

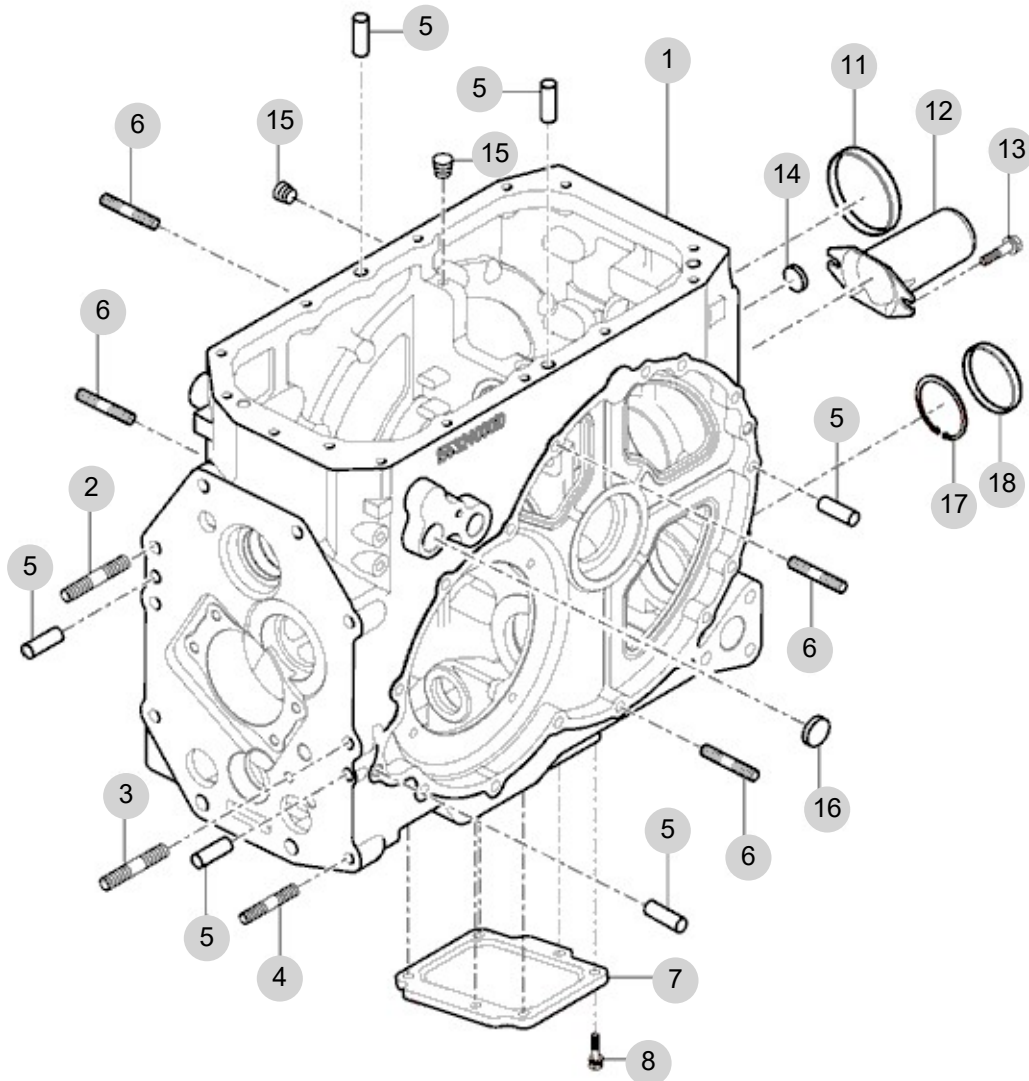
FIG 405

TRANSMISSION REAR CASE

년/월
Year/Month

2022-12

T454NH



NOTE

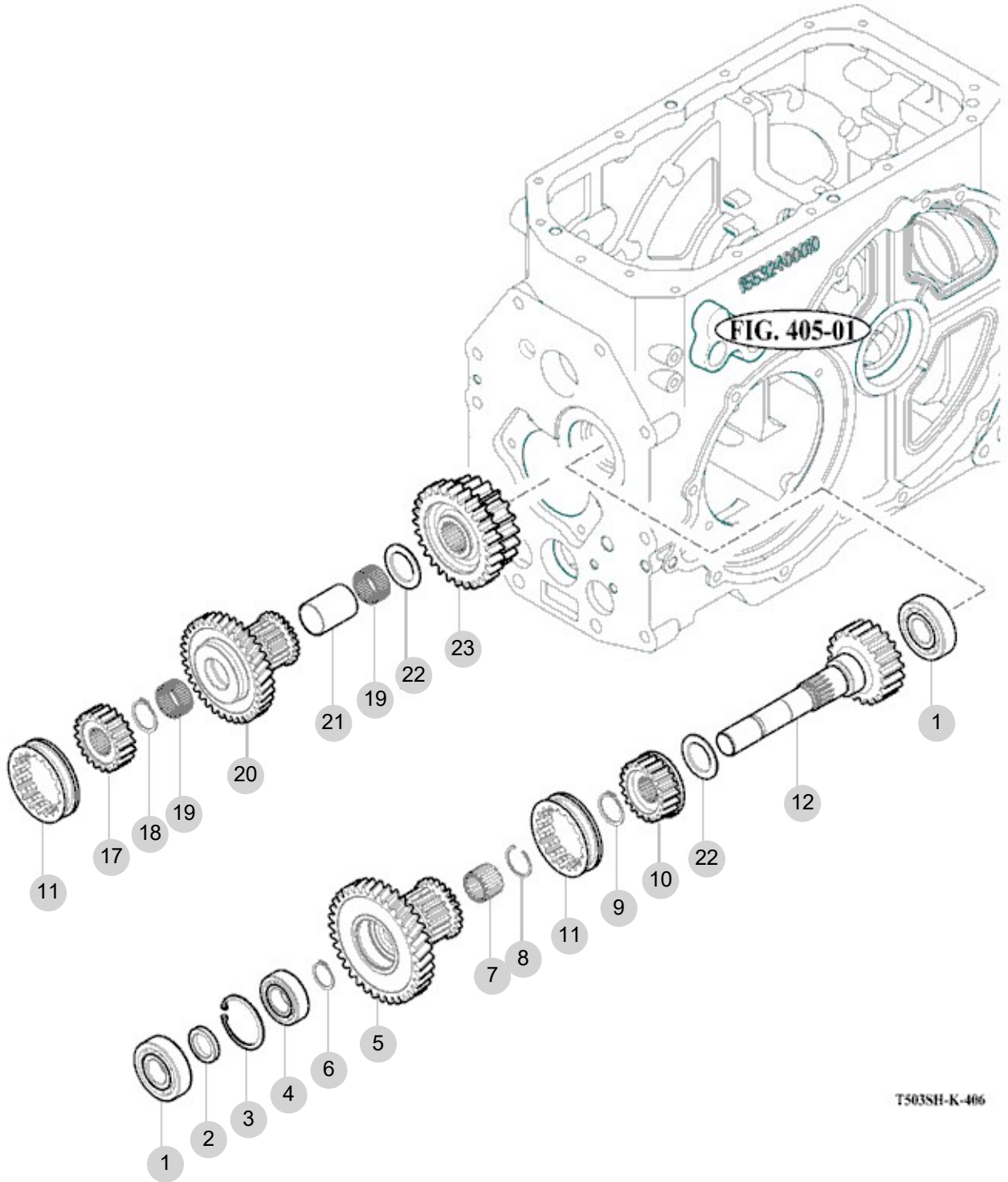
FIG 406

T454NH

SUB CHANGE GEARS

년/월
Year/Month

2022-12



NOTE

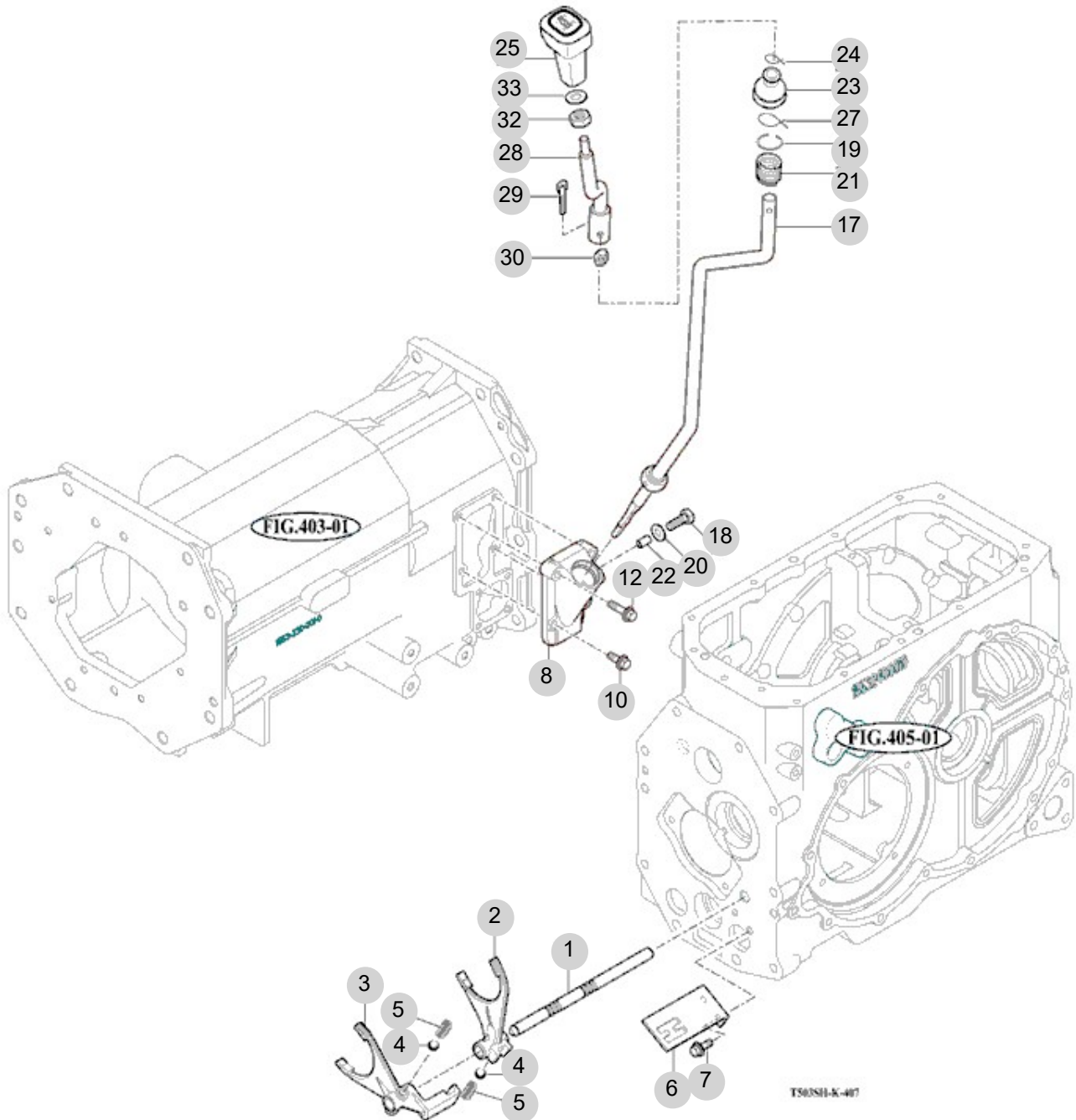
FIG 407

SUB CHANGE SHIFTER

년/월
Year/Month

2022-12

T454NH



NOTE

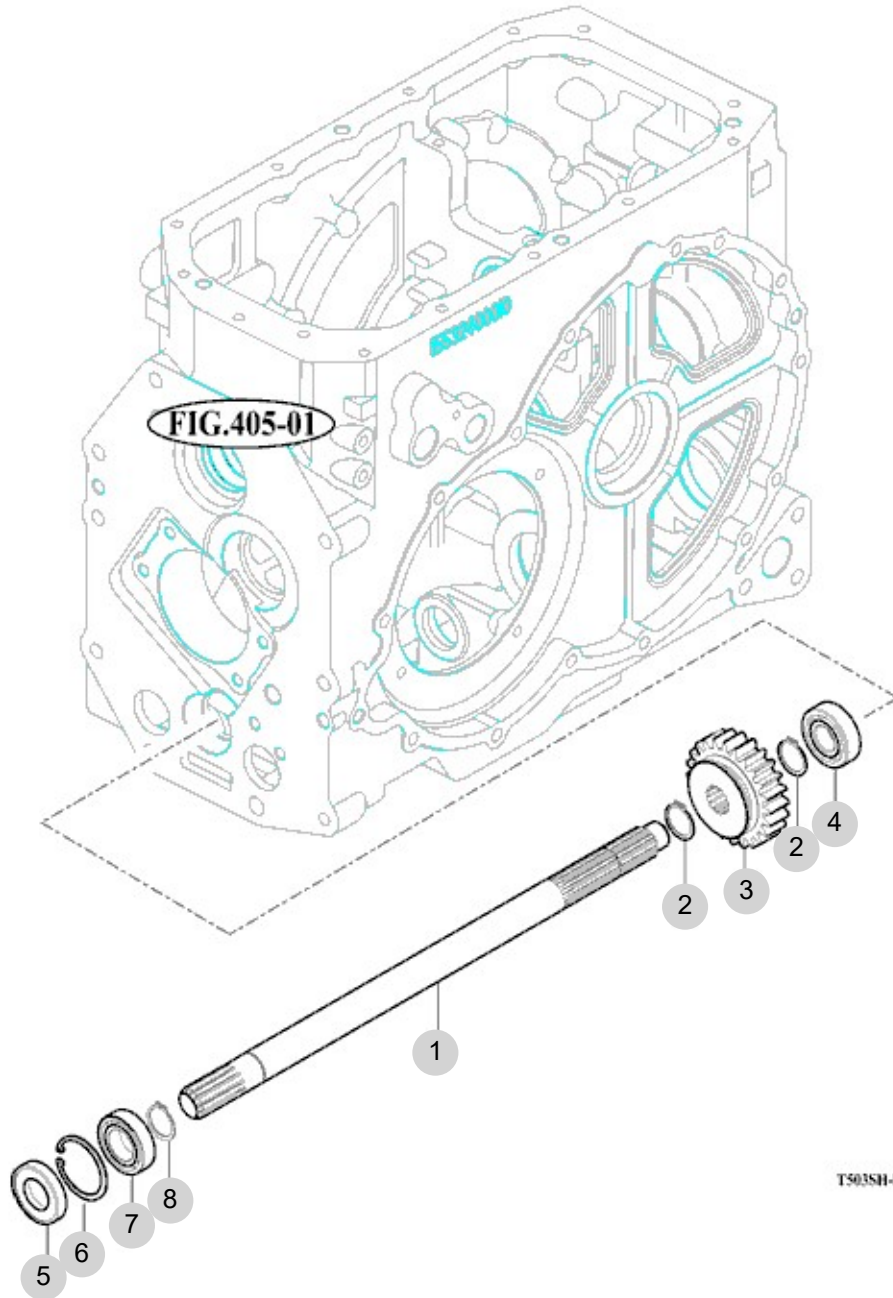
FIG 408

DRIVE GEARS

년/월
Year/Month

T454NH

2022-12



NOTE

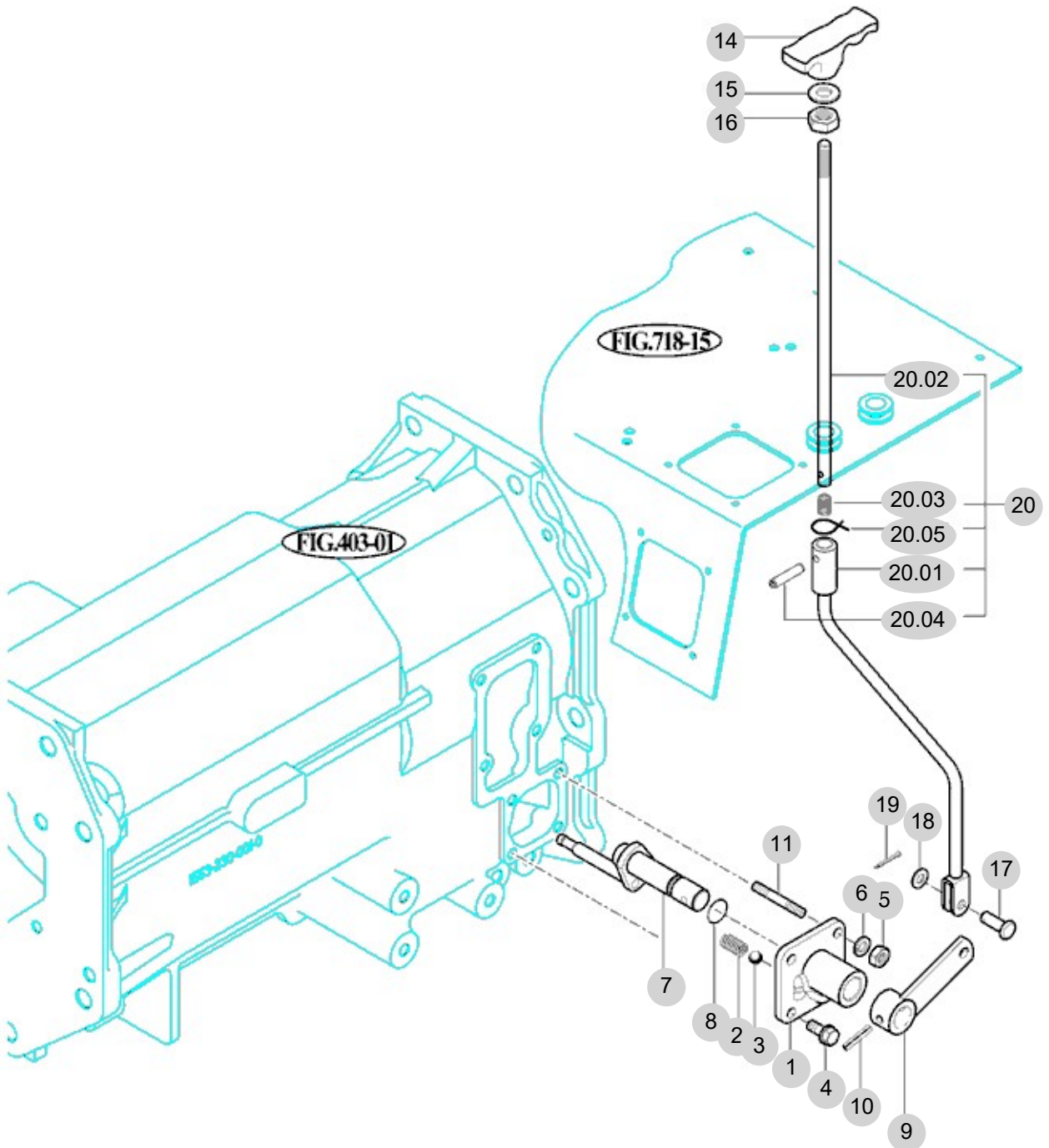
FIG 409

T454NH

4WD CHANGE LEVER

년/월
Year/Month

2022-12



*NOT SERVICED SEPARATELY

T503SH-E-409

NOTE

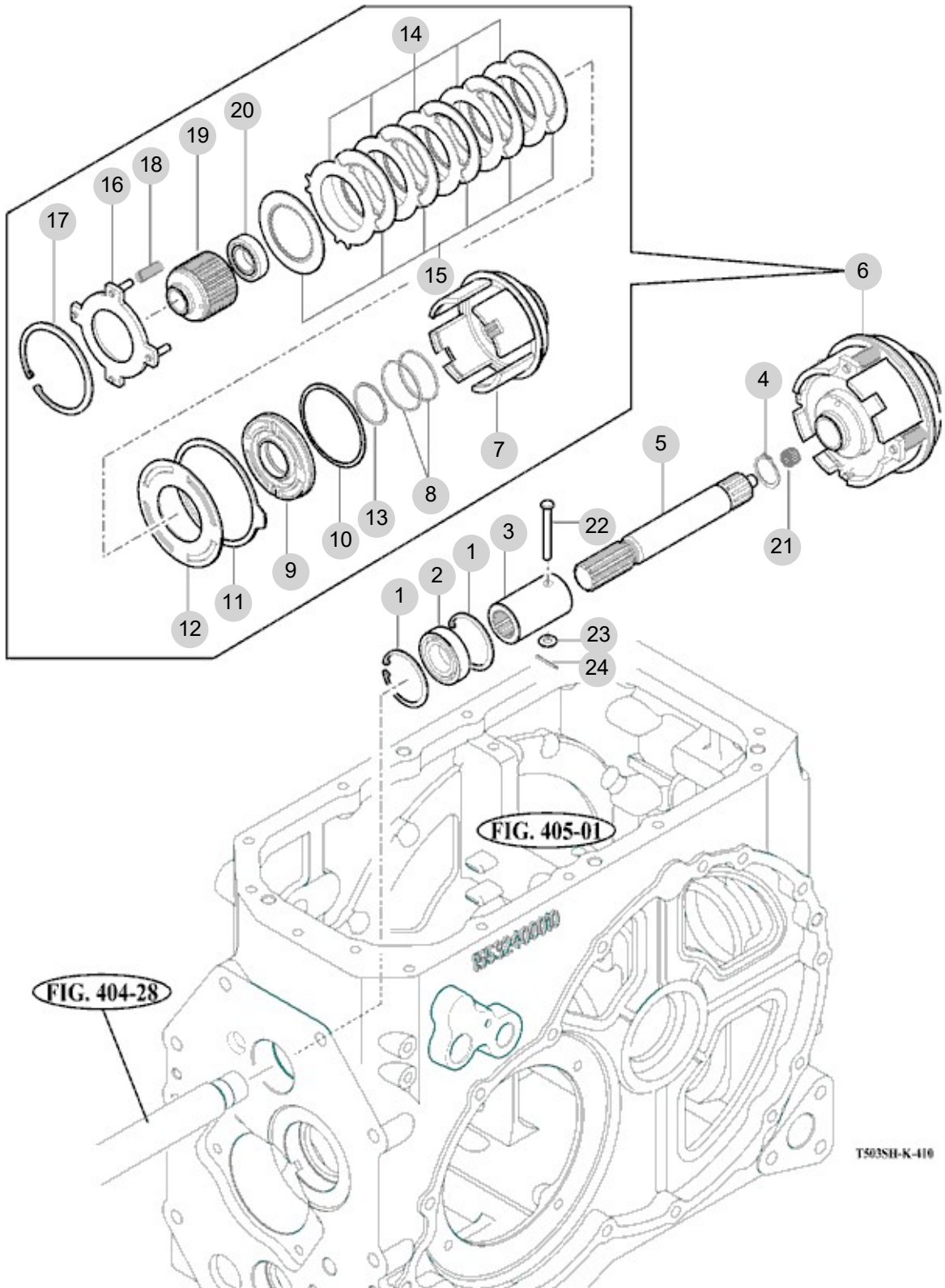
FIG 410

T454NH

P.T.O DRIVE SHAFT

년/월
Year/Month

2022-12



NOTE

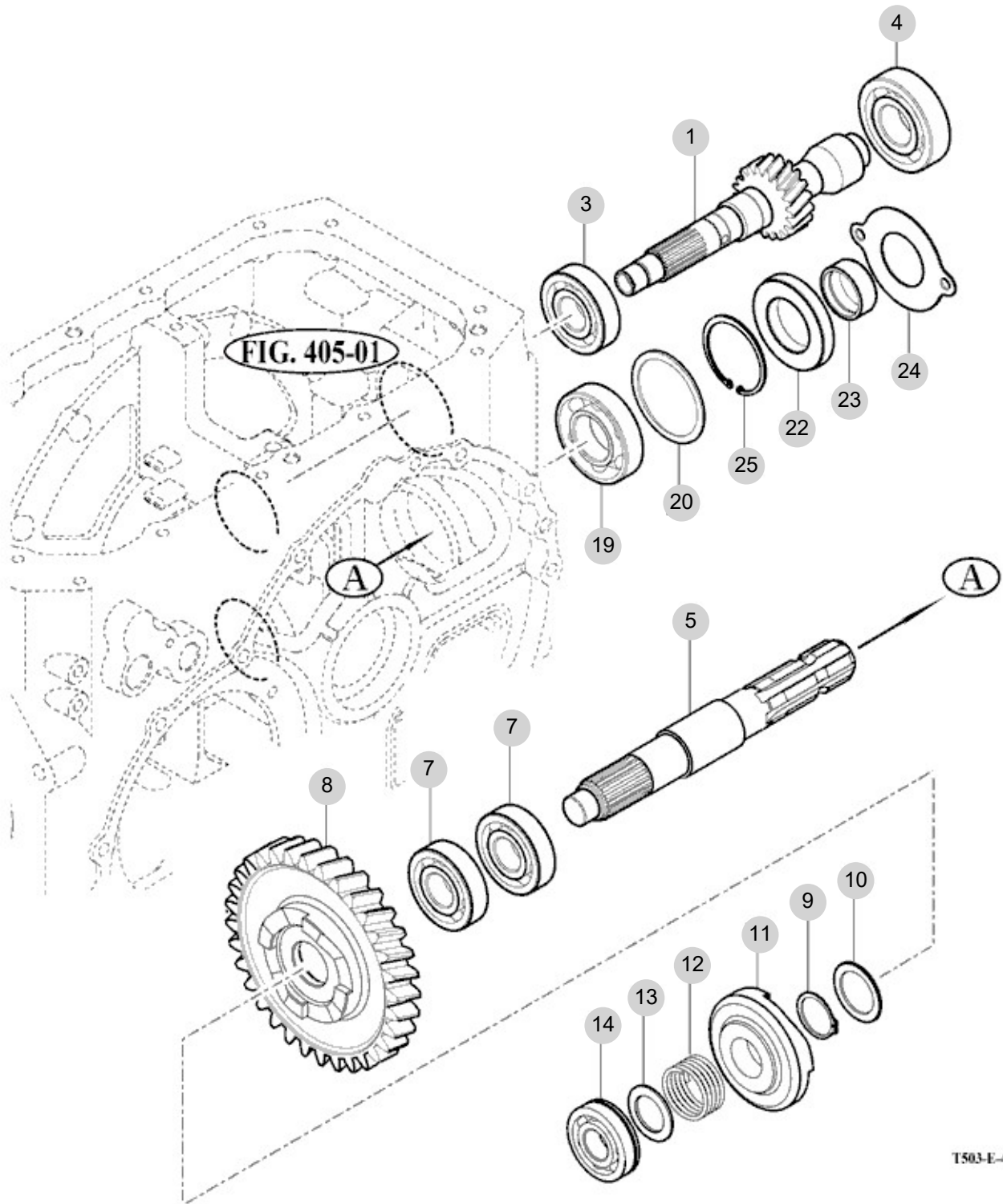
FIG 411

T454NH

P.T.O CHANGE GEARS

년/월
Year/Month

2022-12



T503-E-411A

NOTE

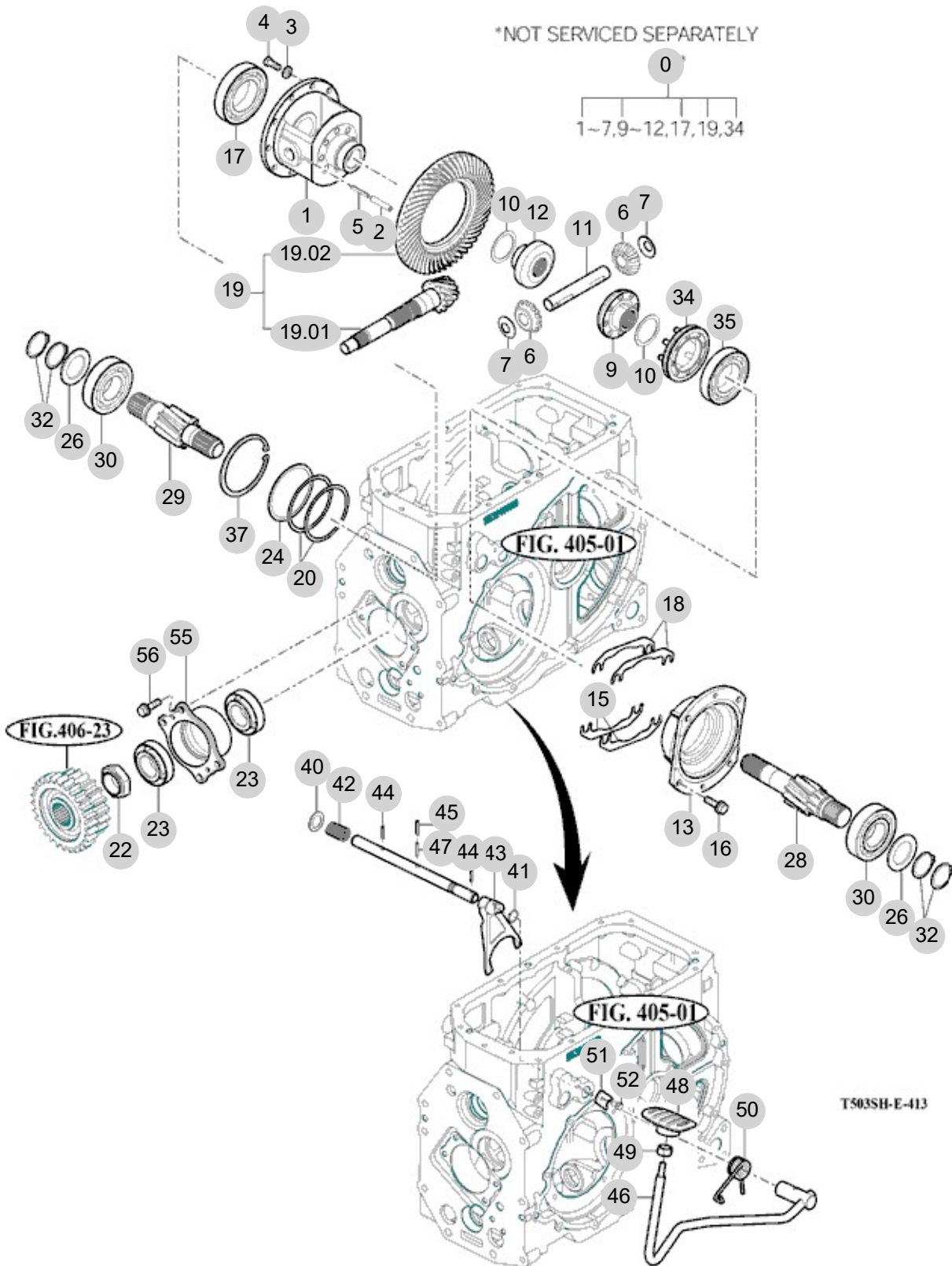
FIG 412

REAR DIFFERENTIAL GEARS

년/월
Year/Month

2022-12

T454NH



NOTE

FIG 412		REAR DIFFERENTIAL GEARS					년/월 Year/Month		
							2022-12		
T454NH		KEY NO	PART NO	DESCRIPTION	SPEC	QTY	REPAIR	EFFECTIVE DATE	REMARKS
412	0	14523031001	DIFF ASSY, RR 47PS			1			
412	1	14523030010M	CASE , DIFF			1			
412	2	V5801408040	PIN , SPRING	8X50		1			
412	3	V4011600100	WASHER , SPRING	M10		10			
412	4	V2024610025	BOLT , HEX FINE	M10X25		10			
412	5	V5801405036	PIN , SPRING	5X36		1			
412	6	14523180041	PINION , DIFF	1X1X1		2			
412	7	14523030080	COLLAR , PINION	T=1.0		2			
412	9	14523180061	PINION , BEVEL 16T LH	1X1X1		1			
412	10	14523030100	WASHER , THRUST	D=52.5		2			
412	11	14523030110	SHAFT , DIFF PINION	D=23		1			
412	12	14523180031	PINION , BEVEL 16T RH	1X1X1		1			
412	13	14523030131M	METAL , DIFF CASE LH			1			
412	15	14523010090	SHIM , B	T=0.2		4			
412	16	V2173610025	BOLT , HEX/S	M10X25		4			
412	17	V6001106212	BEARING , BALL	6212		1			
412	18	14523010080	SHIM , A	T=0.1		2			
412	19	14523022100	GEAR SET , 10-41T			1			
412	20	14523010050	SHIM , 0.1	T=0.1		1			
412	22	15533030020	NUT , M40 P1,5	육각B=55		1			
412	23	V6321132208	BEARING , TAPER-ROLLER	32208CR		2			
412	24	14523010100	SHIM , 0.2	T=0.2		2			
412	26	15133060030	COLLAR , THRUST 45X68X4			2			
412	28	14523060010	PINION , LH HERICAL11T			1			
412	29	14523060020	PINION , RH HERICAL11T			1			
412	30	V6001106309	BEARING , BALL	6309		2			
412	32	V7041400450	C-RING , SHAFT	45		4			
412	34	14523033400	SLEEVE COMP			1			
412	35	V6001106211	BEARING , BALL	6211		1			
412	37	V7051401100	C-RING , HOLE	110		1			
412	39	15533193010	SHAFT , DIFF LOCK	D=20		1			
412	40	V4111600200	WASHER , PLAIN	M20		1			
412	41	V7201024016	O-RING , P	P16		1			
412	42	17973030420	SPRING	(D=3.6) X22.5X74.5		1			
412	43	14523190011M	FORK , DIFF LOCK			1			
412	44	V5801406032	PIN , SPRING	6X32		2			
412	45	V5801408036	PIN , SPRING	8X36		1			
412	46	15533193100	PEDAL COMP , DIFF LOCK			1			
412	47	V5801405036	PIN , SPRING	5X36		1			
412	48	14521220120	PEDAL COMP,ACCEL	1X1X1		1			
412	49	V3342600100	NUT , HEX FINE/2	M10		1			
412	50	15533190020	SPRING , DIFF PEDAL			1			
412	50	15533190021	SPRING , DIFF PEDAL	D=5.5		1			
412	51	16703180191	PLATE , STOP	25X4.5T		1			
412	52	V2173608016	BOLT , HEX/S	M8X16		1			
NOTE									

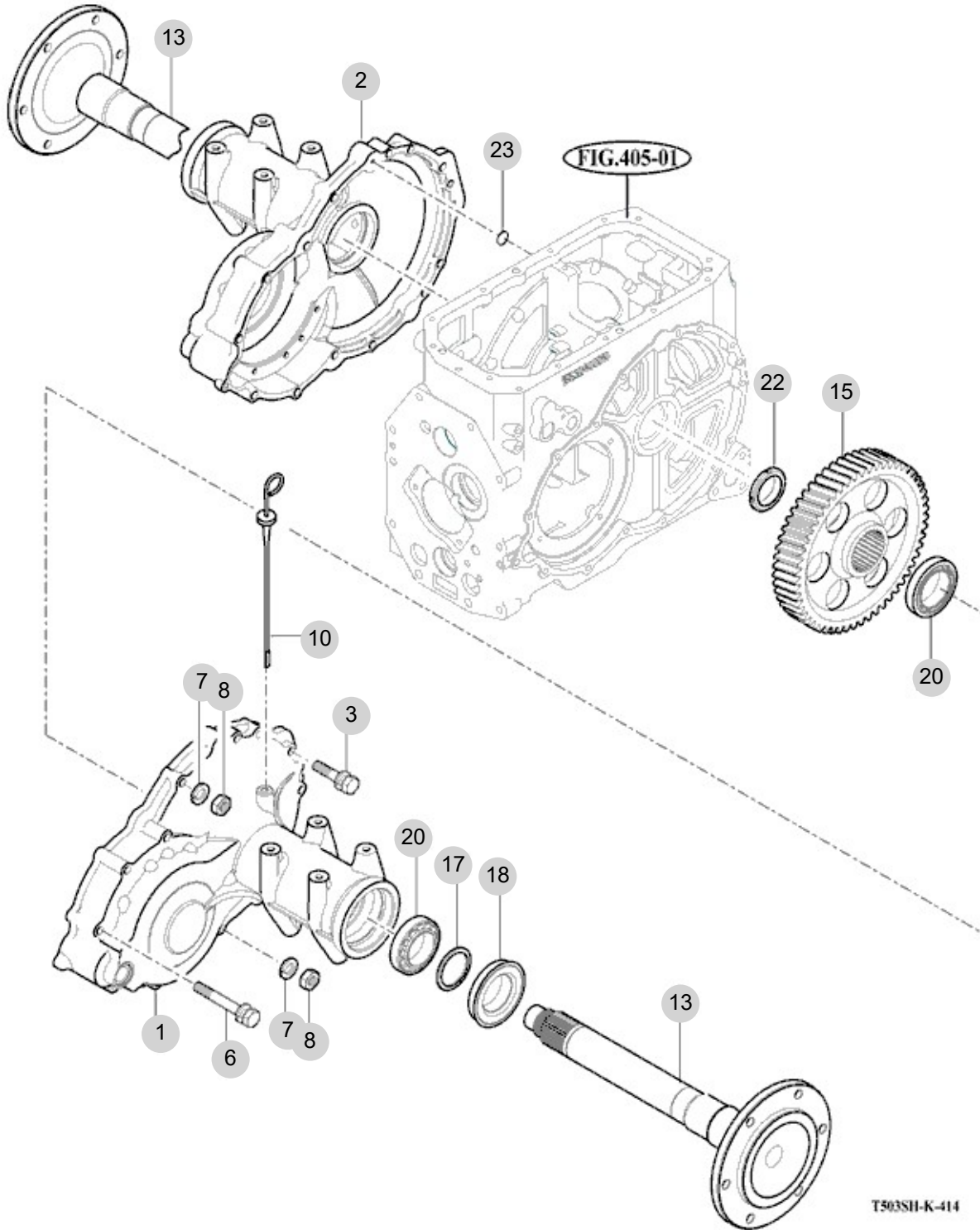
FIG 413

T454NH

REAR AXLE HOUSING

년/월
Year/Month

2022-12



NOTE

5. Front Axle PART NO. T5

FIG 501 FRONT AXLE SUPPORT	128
FIG 502 FRONT DRIVE SHAFT	130
FIG 503 FRONT AXLE HOUSING	132
FIG 504 FRONT DIFFERENTIAL GEARS	134
FIG 505 FRONT GEAR CASE (1)	136
FIG 506 FRONT GEAR CASE (2)	138
FIG 507 FRONT GEAR CASE (3)	140

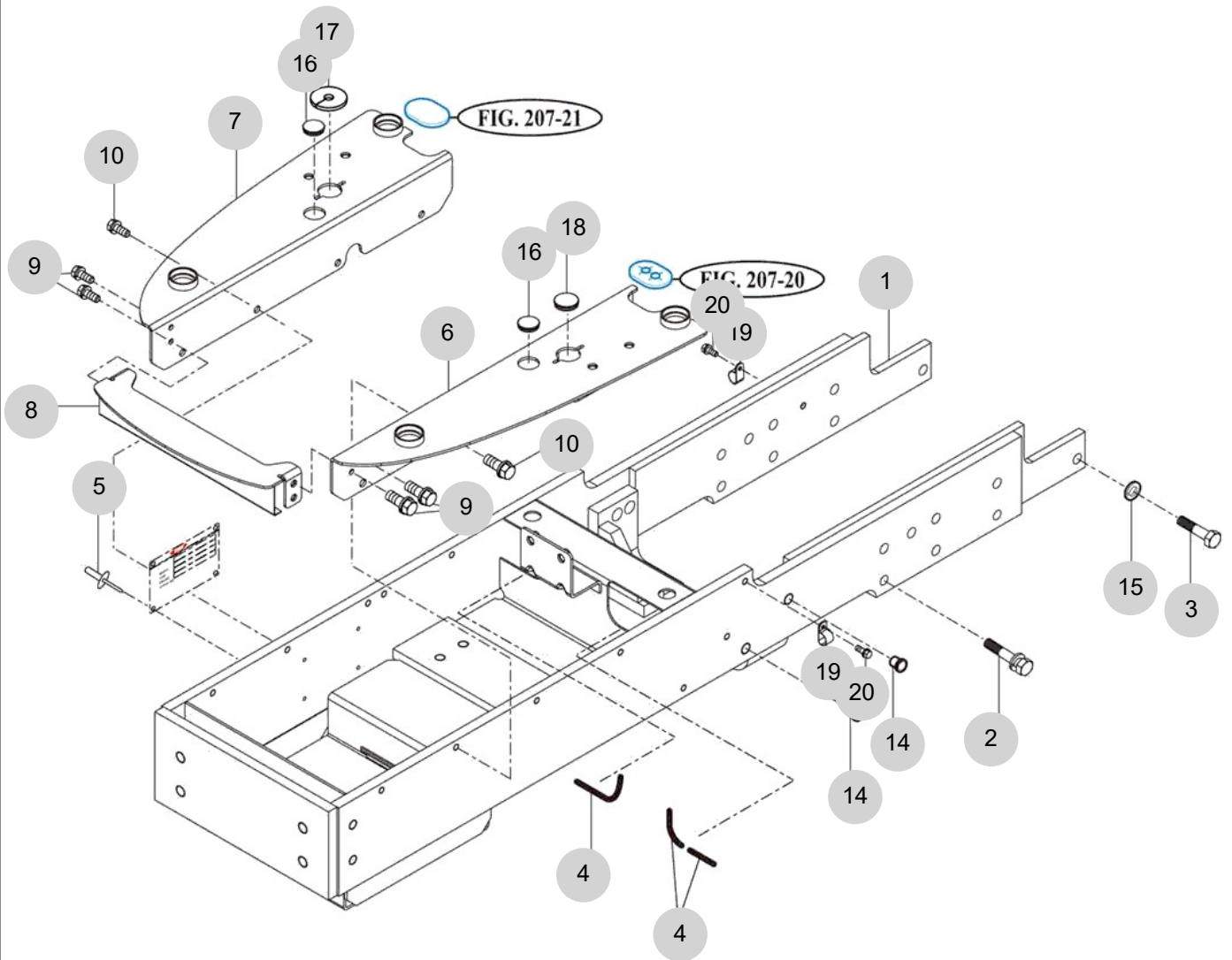
FIG 501

T454NH

FRONT AXLE SUPPORT

년/월
Year/Month

2022-12



NOTE

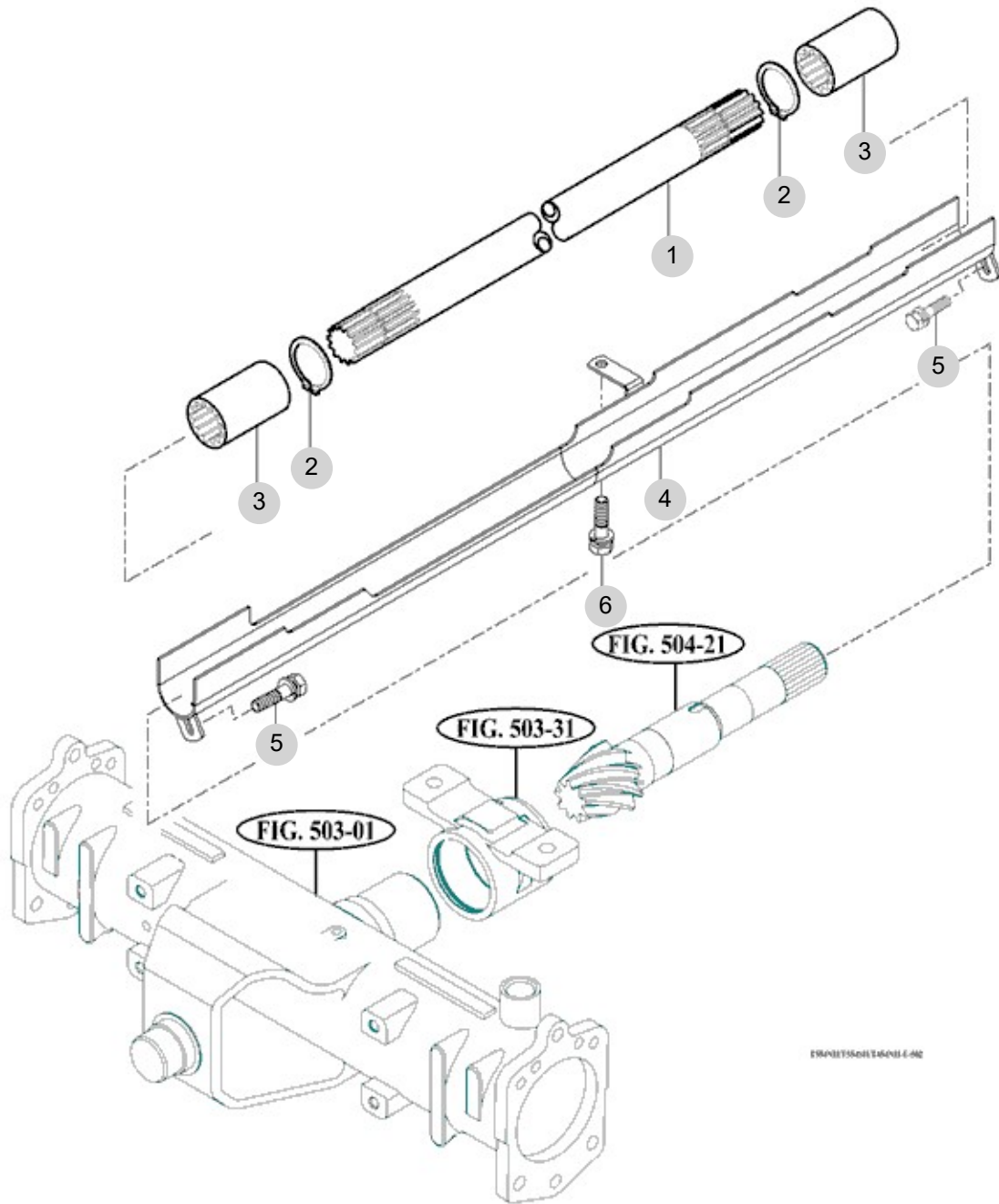
FIG 502

T454NH

FRONT DRIVE SHAFT

년/월
Year/Month

2022-12



NOTE

FIG 502 T454NH		FRONT DRIVE SHAFT						년/월 Year/Month	
								2022-12	
		KEY NO	PART NO	DESCRIPTION	SPEC	QTY	REPAIR	EFFECTIVE DATE	REMARKS
502	1	18994310010	SHAFT	D=25	1				
502	2	V7041400250	C-RING , SHAFT	25	2				
502	3	14251320150	COUPLING	D=32	2				
502	4	17484312001GB	COVER COMP , 4WD		1				
502	5	V2113606010	BOLT , HEX /S	M6X10	2				
502	6	V2183608012	BOLT , HEX/SP	M8X12	1				
NOTE									

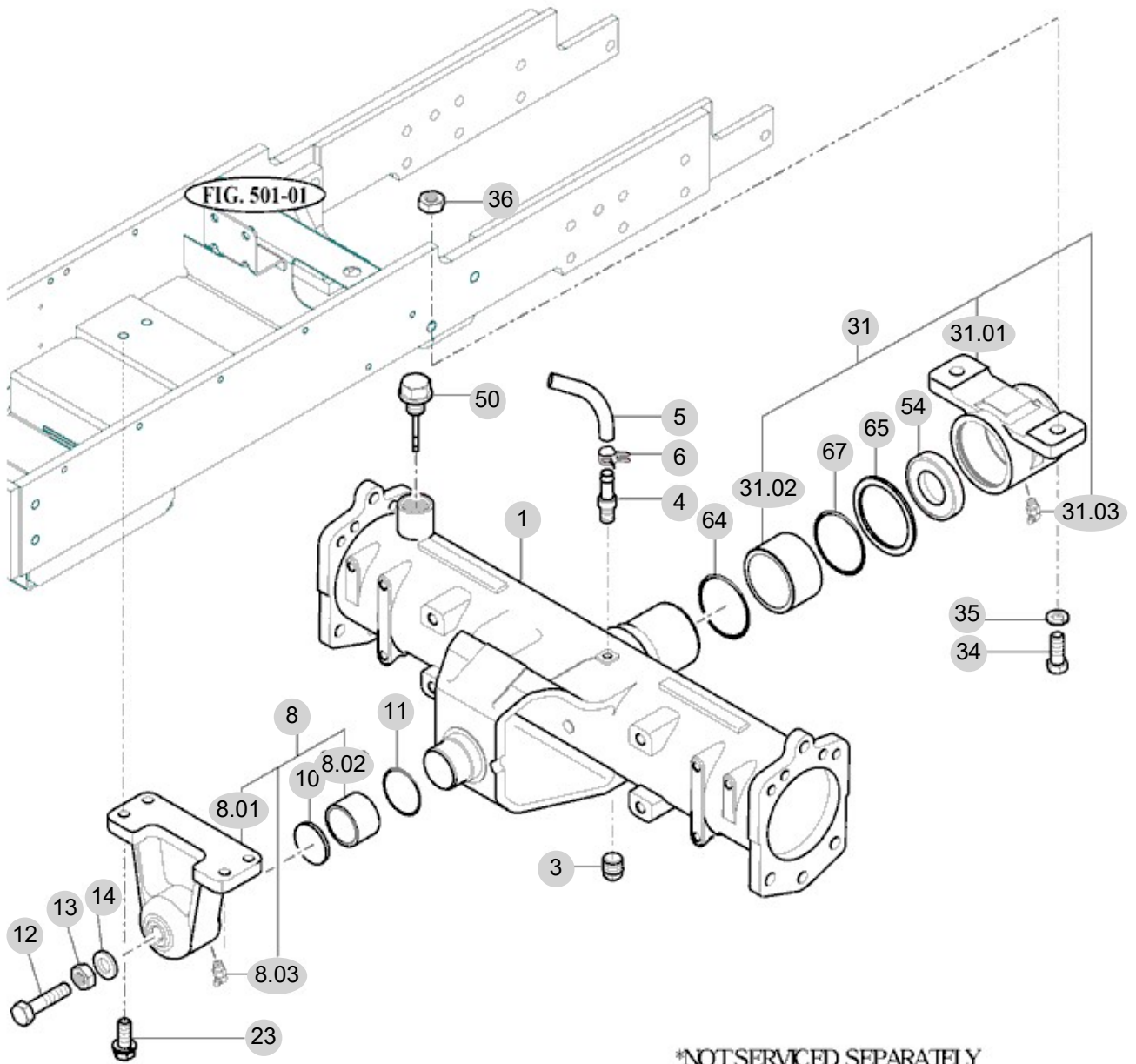
FIG 503

T454NH

FRONT AXLE HOUSING

년/월
Year/Month

2022-12



T194/04 E-001

NOTE

FIG 503 T454NH	FRONT AXLE HOUSING	년/월 Year/Month 2022-12
------------------------------	---------------------------	----------------------------------

KEY NO		PART NO	DESCRIPTION	SPEC	QTY	REPAIR	EFFECTIVE DATE	REMARKS
503	1	14524322000M	HOUSING , FRONT AXLE		1			
503	3	V7811600008	PLUG , SQUARE	R1/2	1			
503	4	17994360221	CONNECTOR		1			
503	5	14521024300	FUEL HOSE		1			
503	5	10011024200	HOSE . 850	1X1X1	1			
503	6	36423600080	CLIP , HOSE D=12.5		1			
503	6	17131049210	HOSE CLIP 11	1X1X1	1			
503	8	16704332101	METAL ASSY , PIVOT	1X1X1	1			
503	10	16704020020	SPACER (F)	49X4.6	1			
503	11	V7211031055	O-RING , G	G55	1			
503	12	V2014616050	BOLT , HEX	M16X50	1			
503	13	V3052600160	NUT , HEX/3	M16	1			
503	14	14444120090	WASHER , SEAL	WD16263.5	1			
503	23	V2173612040	BOLT , HEX/S	M12X40	4			
503	31	14544362201	METAL ASSY , PIVOT	1X1X1	1			
503	34	V2004616060	BOLT , HEX	M16X60	2			
503	35	V4011600160	WASHER , SPRING	M16	2			
503	50	15184072401	CAP ASSY , OIL	1X1X1	1			
503	50	12394125100	CAP ASSY , OIL		1			
503	54	V7441254008	SEAL , OIL/D	P40	1			
503	64	V7211031080	O-RING , G	G80	1			
503	65	16704310040	SPACER , R		1			
503	67	V7211031075	O-RING , G	G75	1			
503	801	16704332111M	METAL , PIVOT FR	1X1X1	1			
503	802	16704332220	BUSH , 50X55X20		1			
503	803	V7631500000	NIPPLE , GREASE/B-PT		1			
503	3101	14544362211M	METAL , PIVOT RR	1X1X1	1			
503	3102	16704362221	BUSH , 75X80X30		1			
503	3103	V7631500000	NIPPLE , GREASE/B-PT		1			
NOTE								

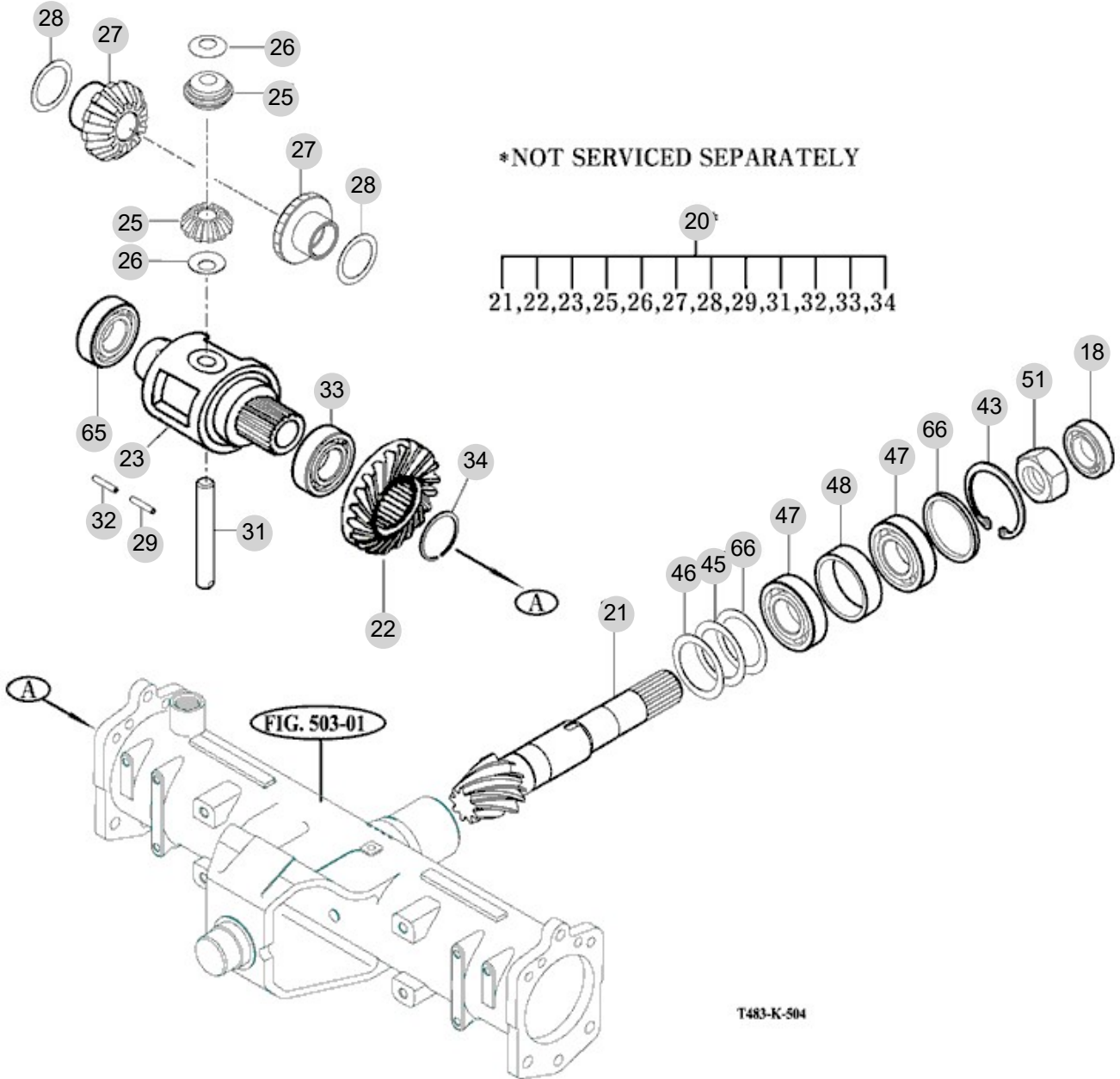
FIG 504

FRONT DIFFERENTIAL GEARS

년/월
Year/Month

2022-12

T454NH



NOTE

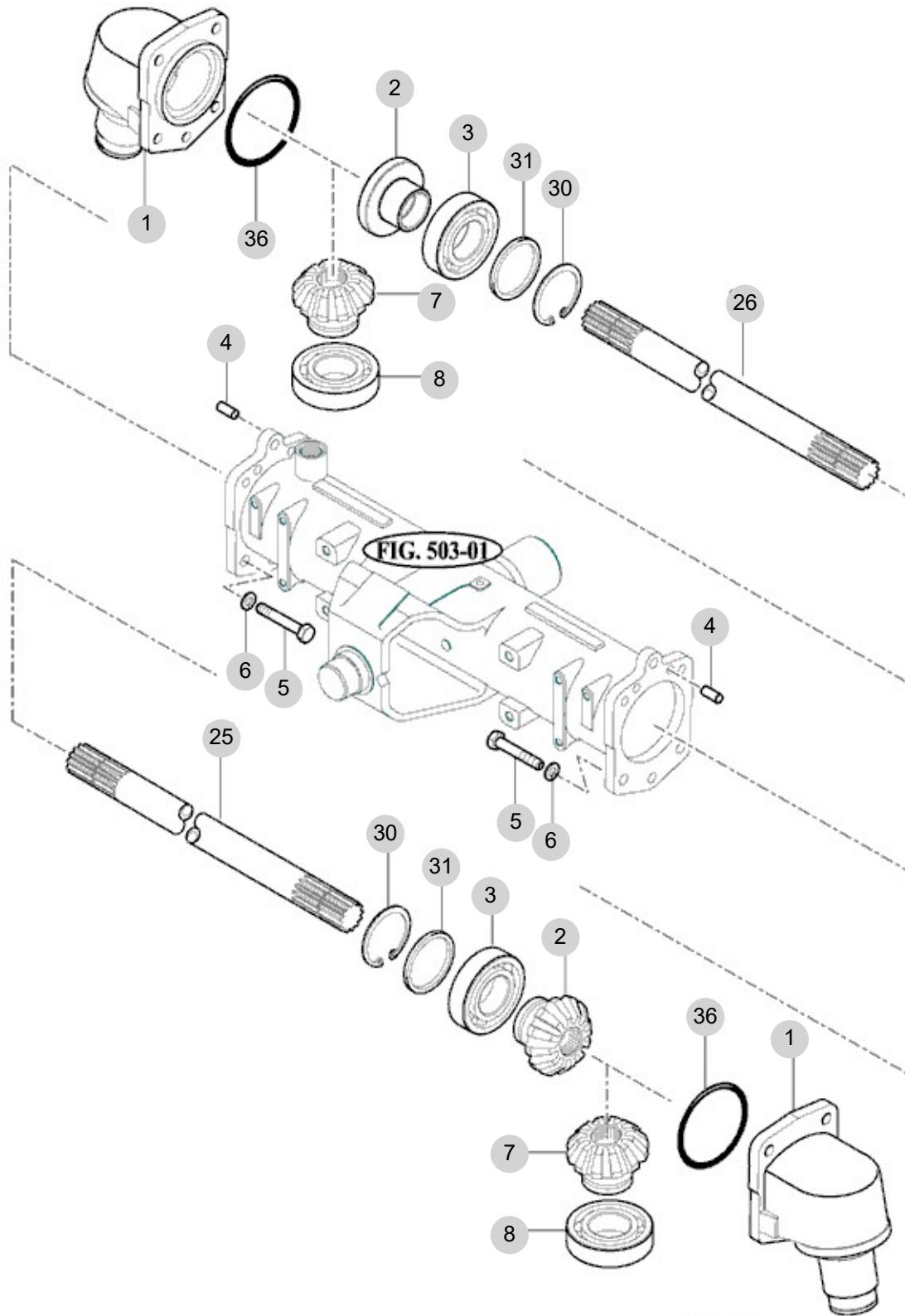
FIG 505

T454NH

FRONT GEAR CASE (1)

년/월
Year/Month

2022-12



NOTE

FIG 505 T454NH		FRONT GEAR CASE (1)					년/월 Year/Month	REMARKS
							2022-12	
KEY NO	PART NO	DESCRIPTION	SPEC	QTY	REPAIR	EFFECTIVE DATE	REMARKS	
505	1	16734340010M	CASE , FINAL DRIVE(A)	1X1X1	2			
505	2	16704340021	GEAR , BEVEL 9		2			
505	2	16704340020	GEAR , BEVEL 9		2			
505	3	V6041106308	BEARING , BALL/HL1	6308HL1	2			
505	4	V5201012020	PIN , PARALLEL/A	12X20	4			
505	5	V2024614040	BOLT , HEX FINE	M14X40	10			
505	6	V4011600140	WASHER , SPRING	M14	10			
505	7	16704340031	GEAR , BEVEL 16		2			
505	7	16704340030	GEAR , BEVEL 16		2			
505	8	V6001106207	BEARING , BALL	6207	2			
505	25	16734350010	SHAFT , 528		1			
505	26	16734350020	SHAFT , 344		1			
505	30	V7051400800	C-RING , HOLE	80	2			
505	31	16704320030	COLLAR , 68X80X2		2			
505	36	V7231020110	O-RING , S	S110	2			
NOTE								

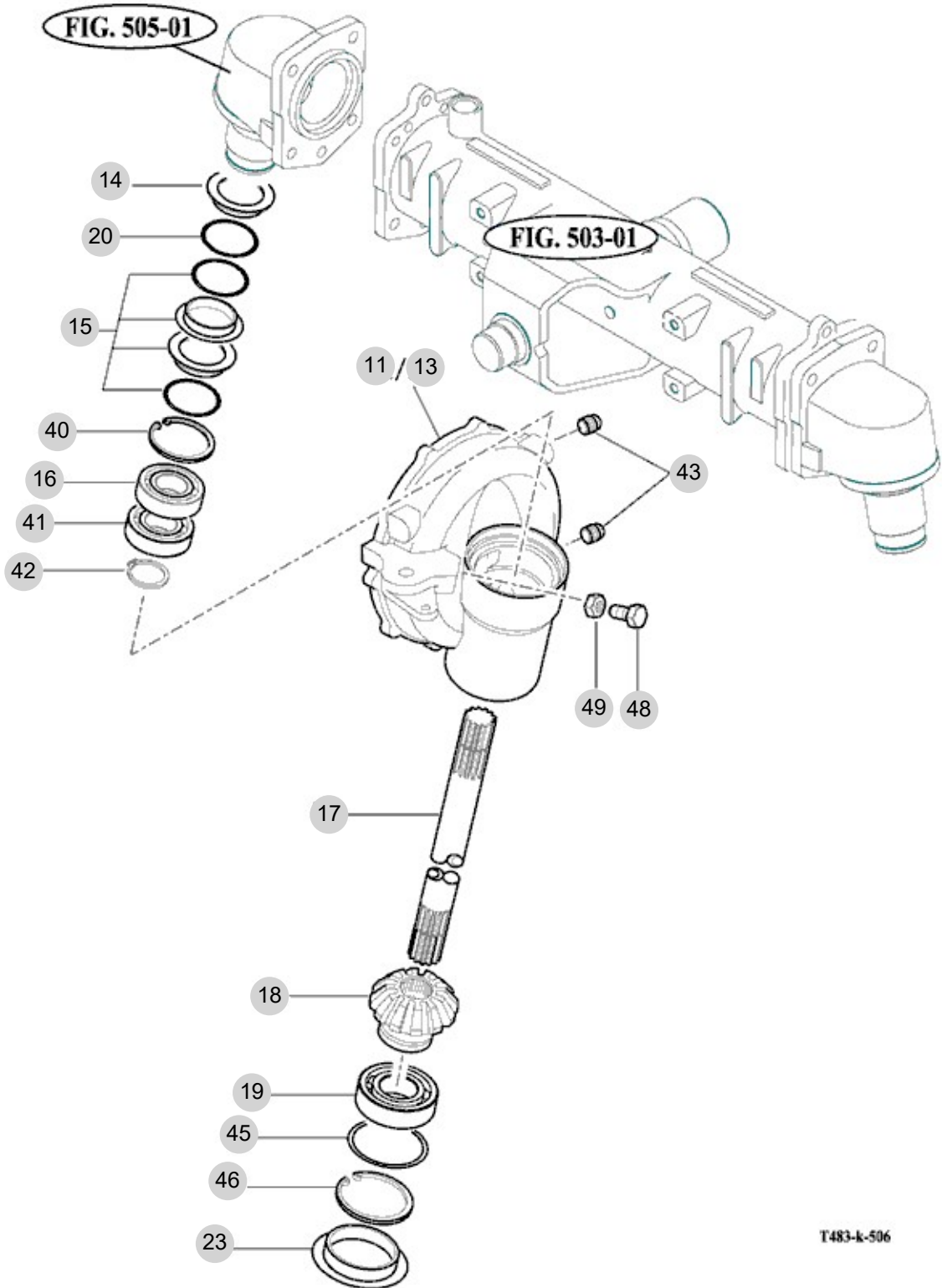
FIG 506

FRONT GEAR CASE (2)

년/월
Year/Month

2022-12

T454NH



NOTE

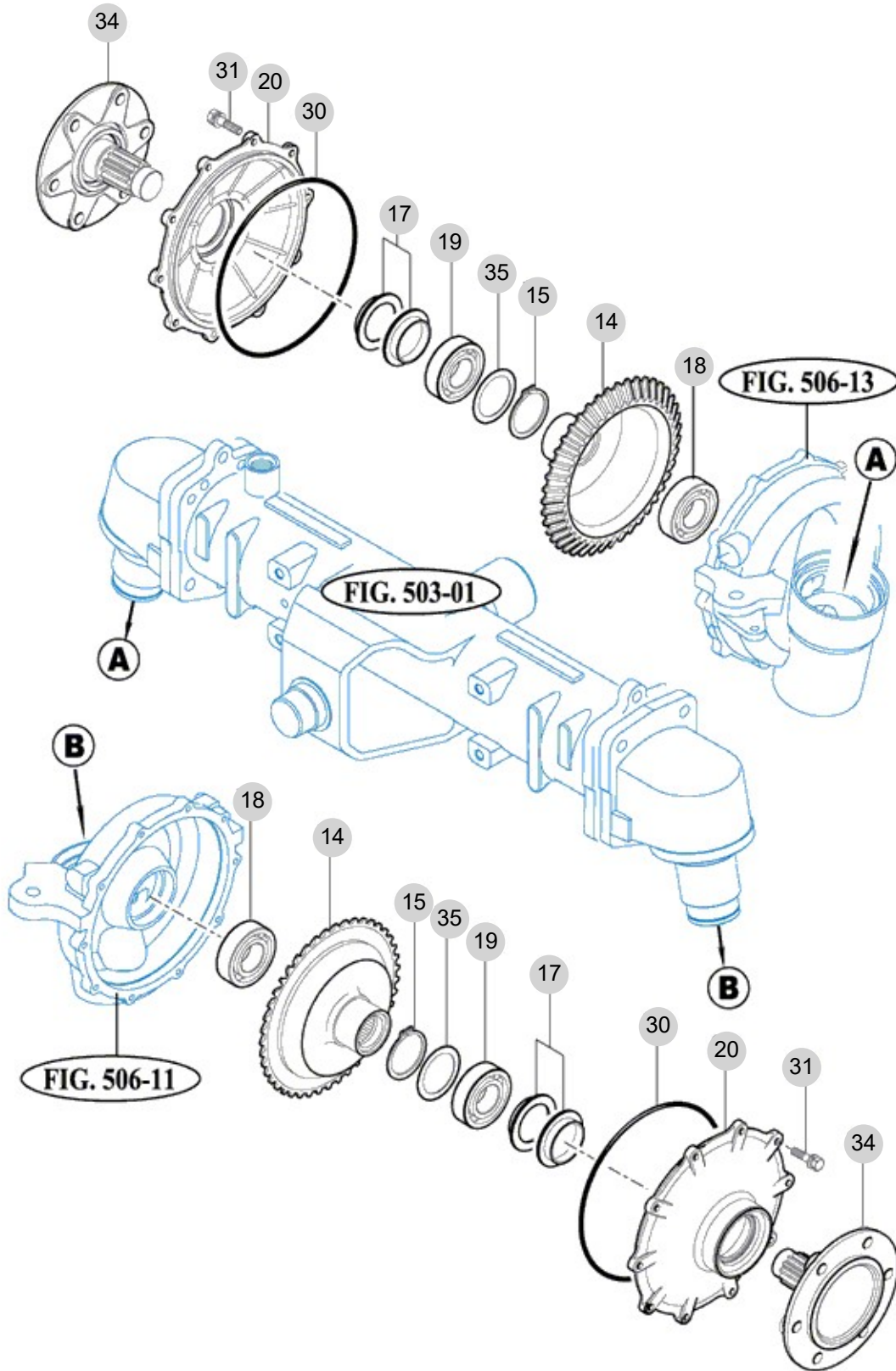
FIG 507

T454NH

FRONT GEAR CASE (3)

년/월
Year/Month

2022-12



NOTE

6. Hydraulic/3P-Link PART NO. T6

FIG 601 CYLINDER CASE	143
FIG 602 LIFT ARM	145
FIG 603 CYLINDER	147
FIG 604 POSITION LINK	149
FIG 605 CONTROL VALVE	151
FIG 606 DRAFT LINK	153
FIG 607 POSITION & DRAFT LEVER	155
FIG 607 POSITION & DRAFT LEVER	157
FIG 609 HYDRAULIC PIPE	159
FIG 610 JOYSTICK	162
FIG 611 HYDRAULIC HOSE	164
FIG 612 HITCH & 3-POINT LINK	166
FIG 613 LOWER LINK & LIFT ROD	169
FIG 614 EXTERNAL POSITION LEVER KIT	171

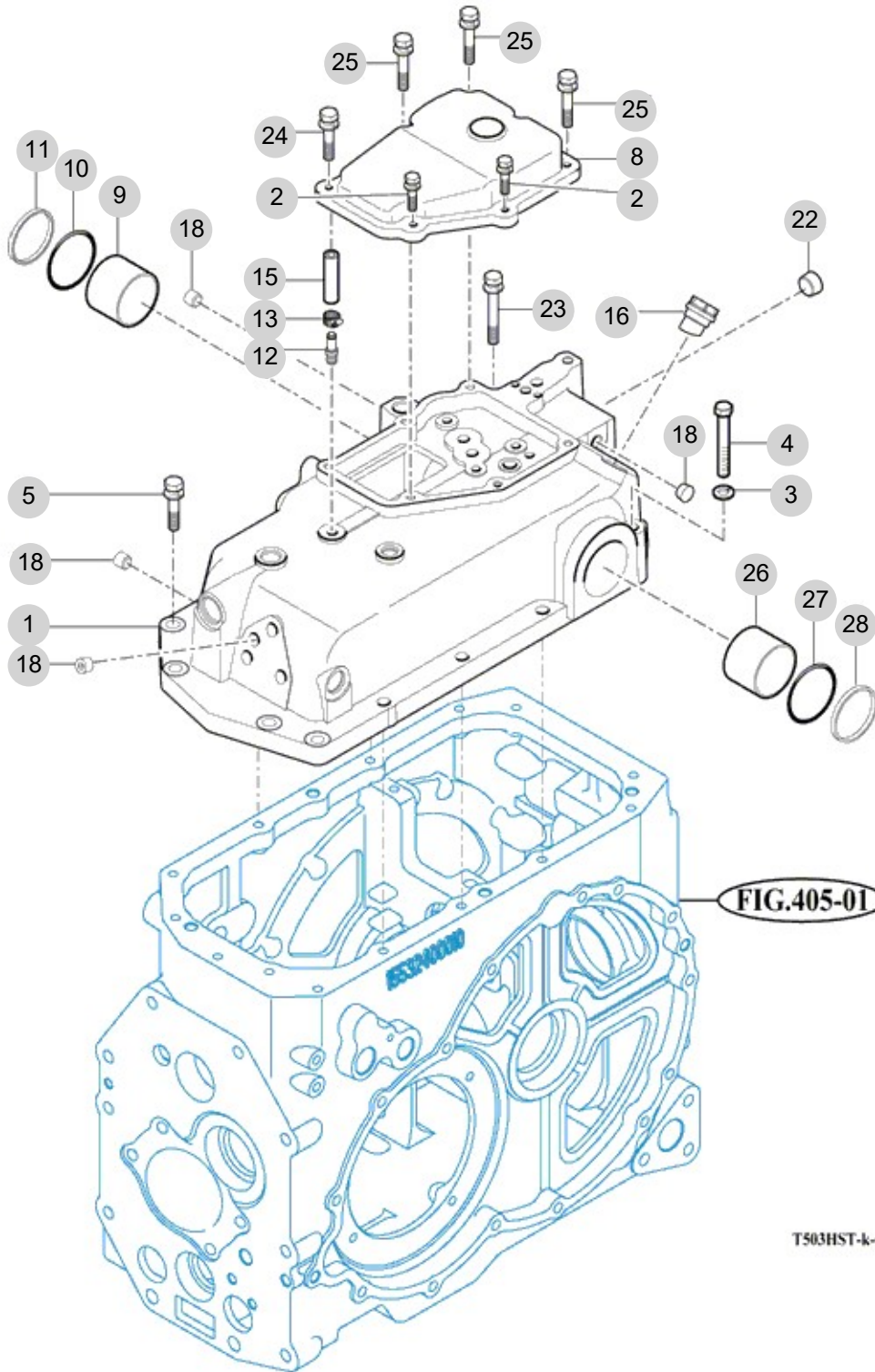
FIG 601

CYLINDER CASE

년/월
Year/Month

2022-12

T454NH



NOTE

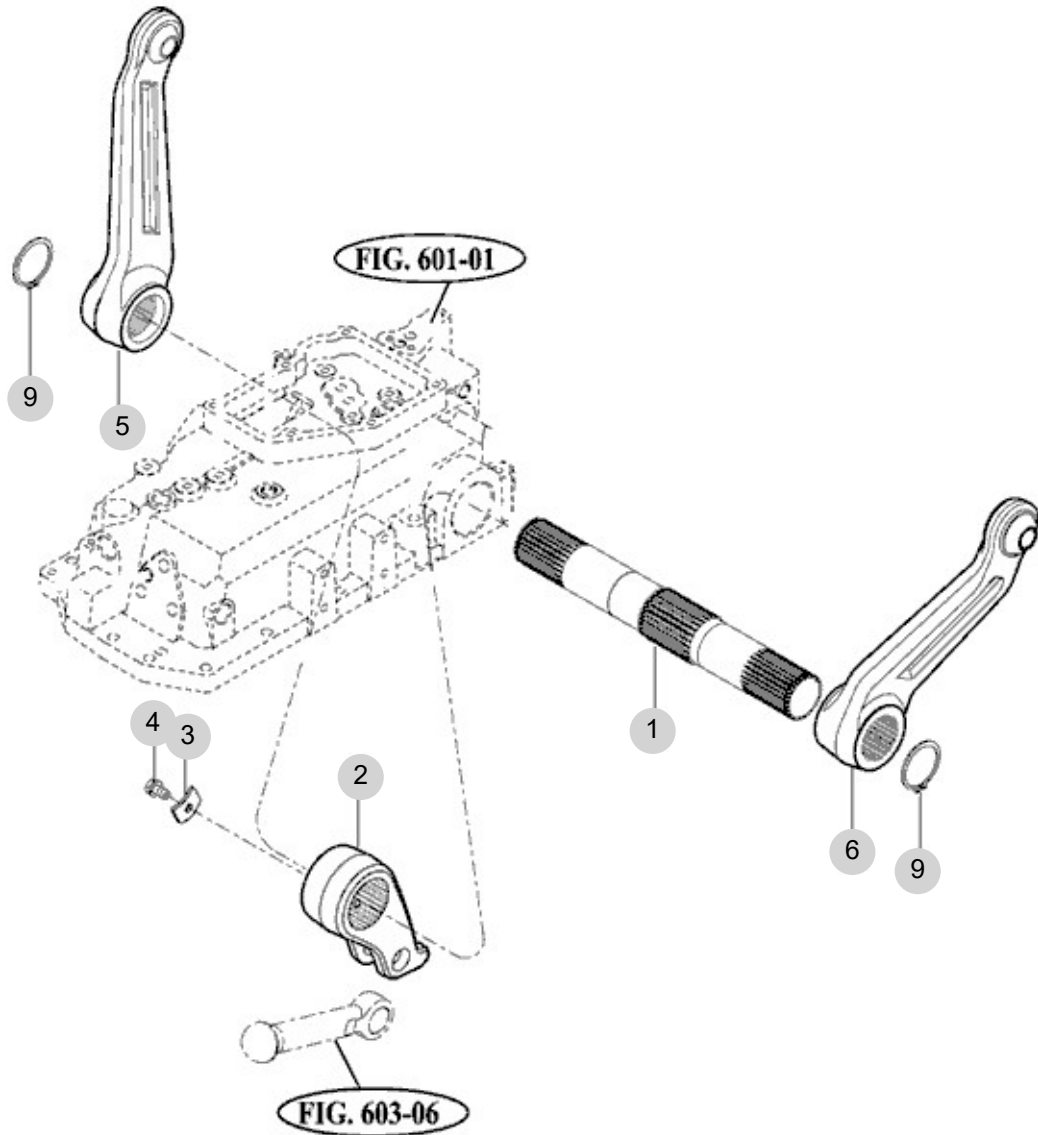
FIG 602

T454NH

LIFT ARM

년/월
Year/Month

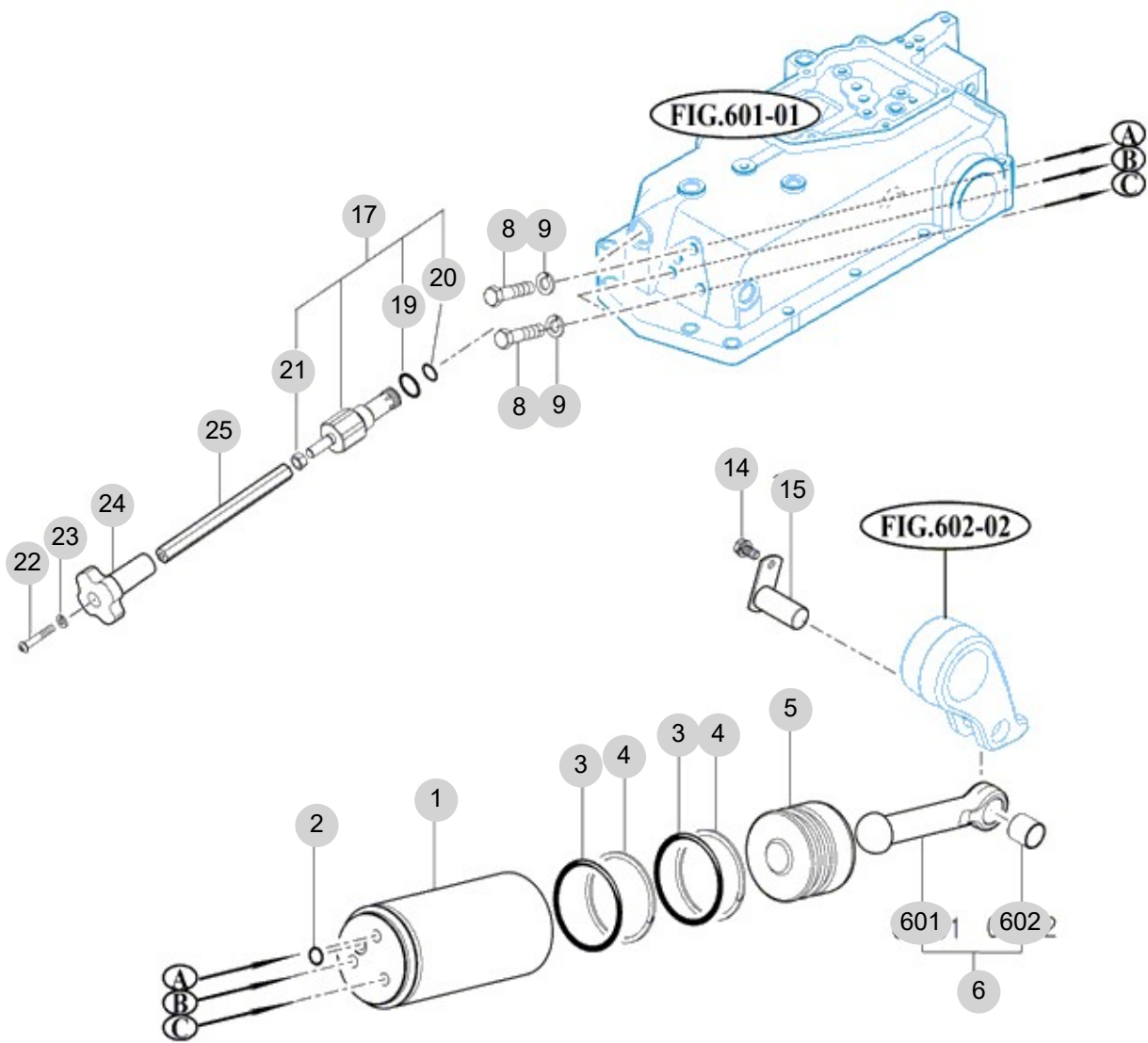
2022-12



T473-E-602A

NOTE

FIG 603 T454NH	CYLINDER	년/월 Year/Month
		2022-12



T483-K-603

NOTE

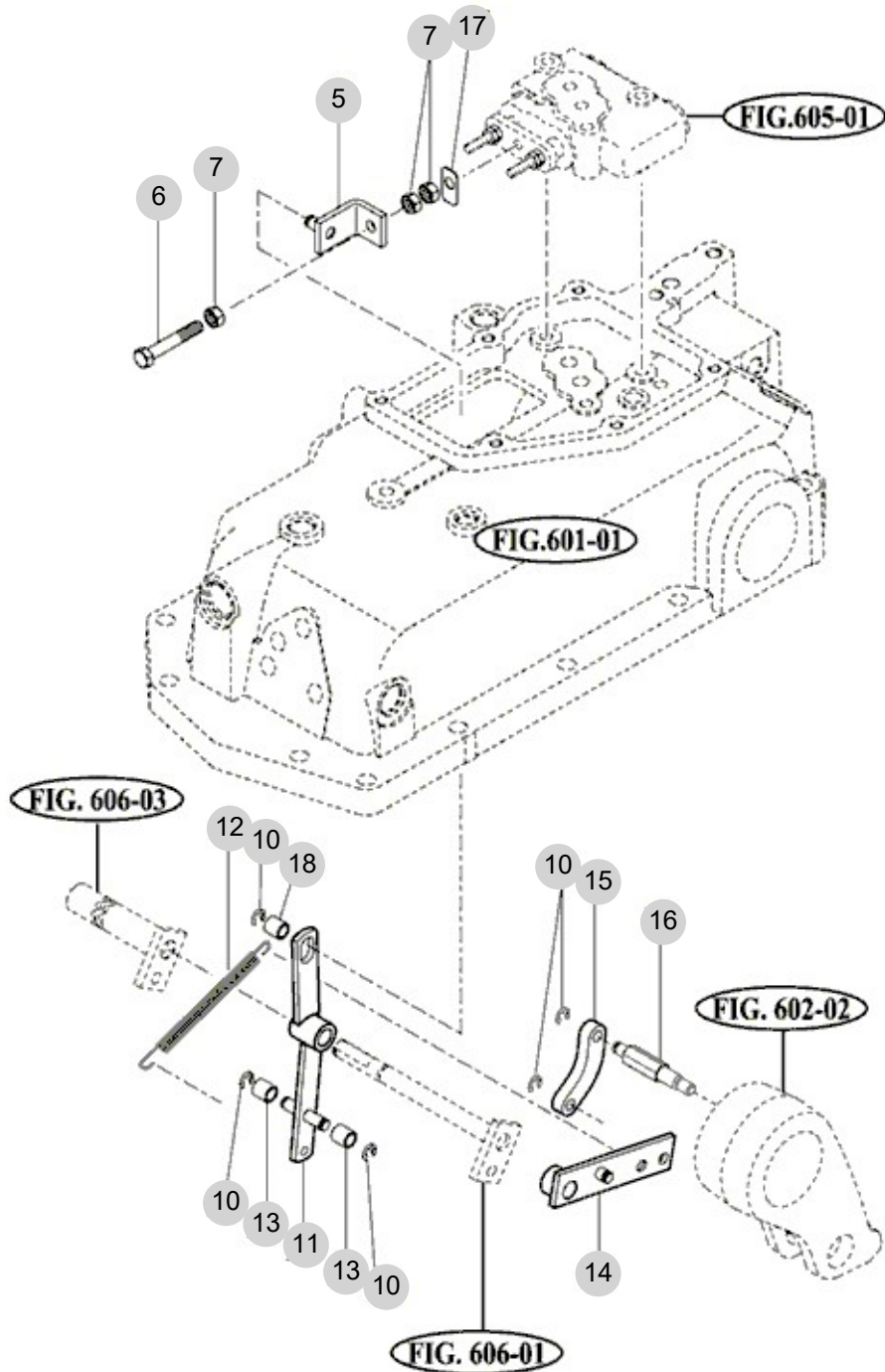
FIG 604

T454NH

POSITION LINK

년/월
Year/Month

2022-12



T483-K-604

NOTE

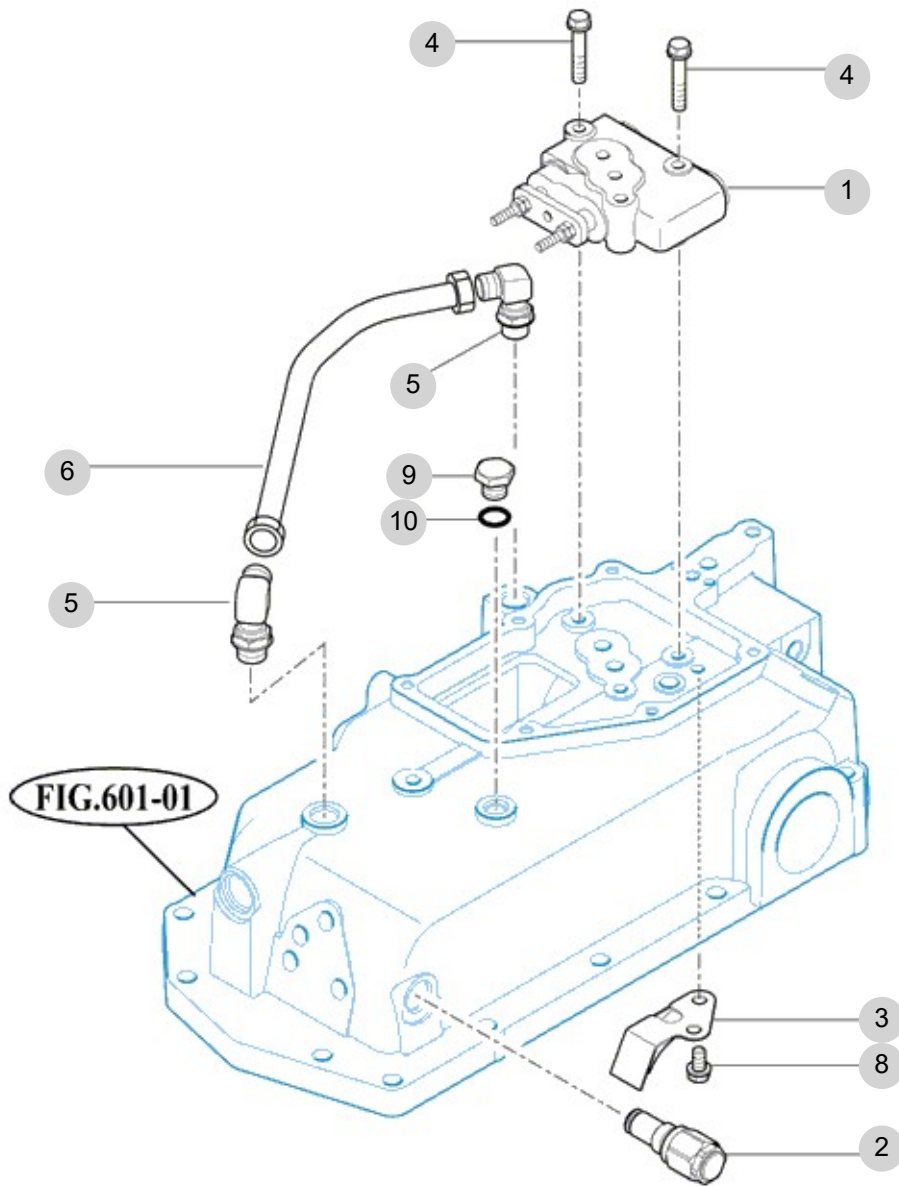
FIG 605

T454NH

CONTROL VALVE

년/월
Year/Month

2022-12



T503HST-K-605

NOTE

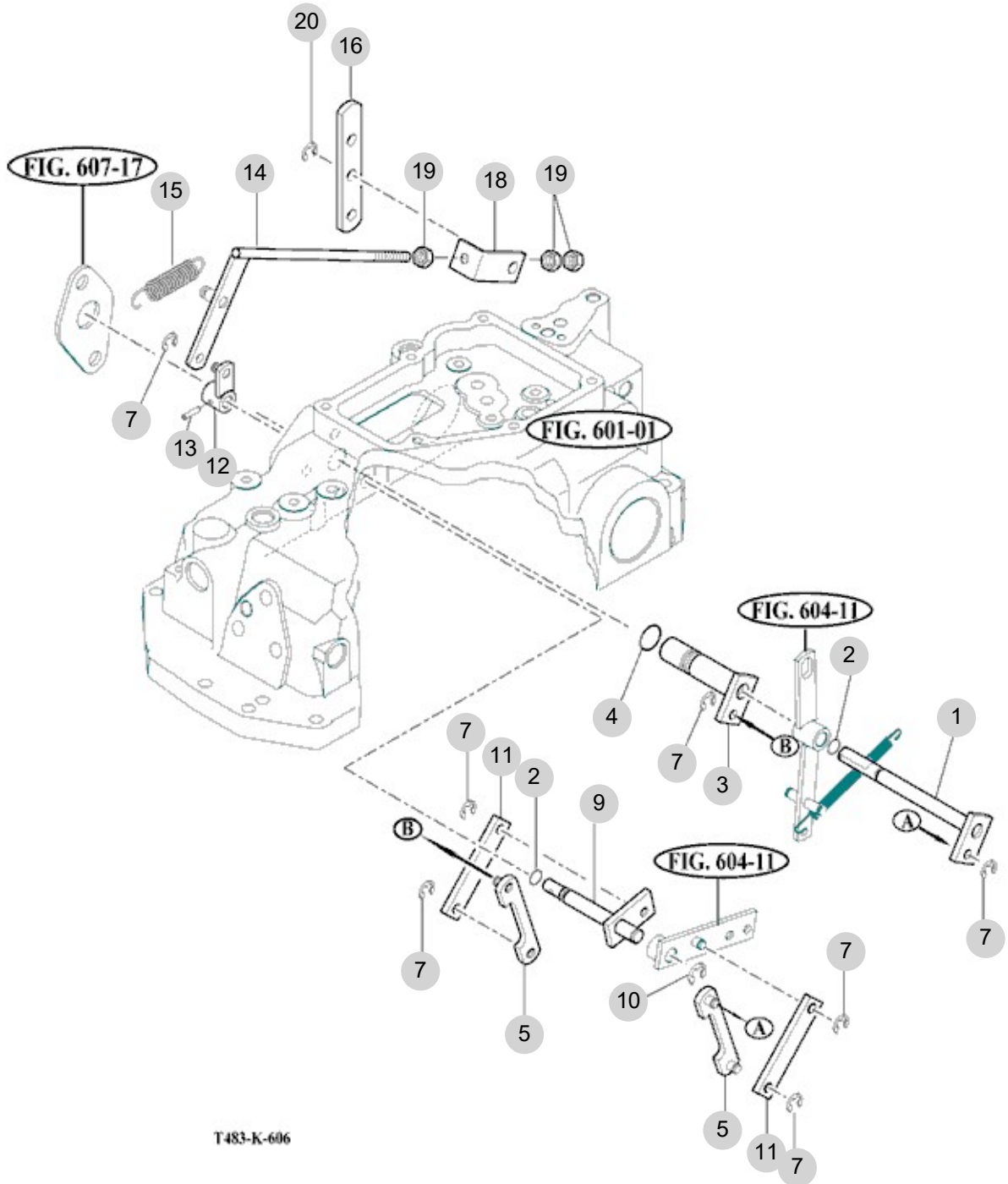
FIG 606

T454NH

DRAFT LINK

년/월
Year/Month

2022-12



NOTE

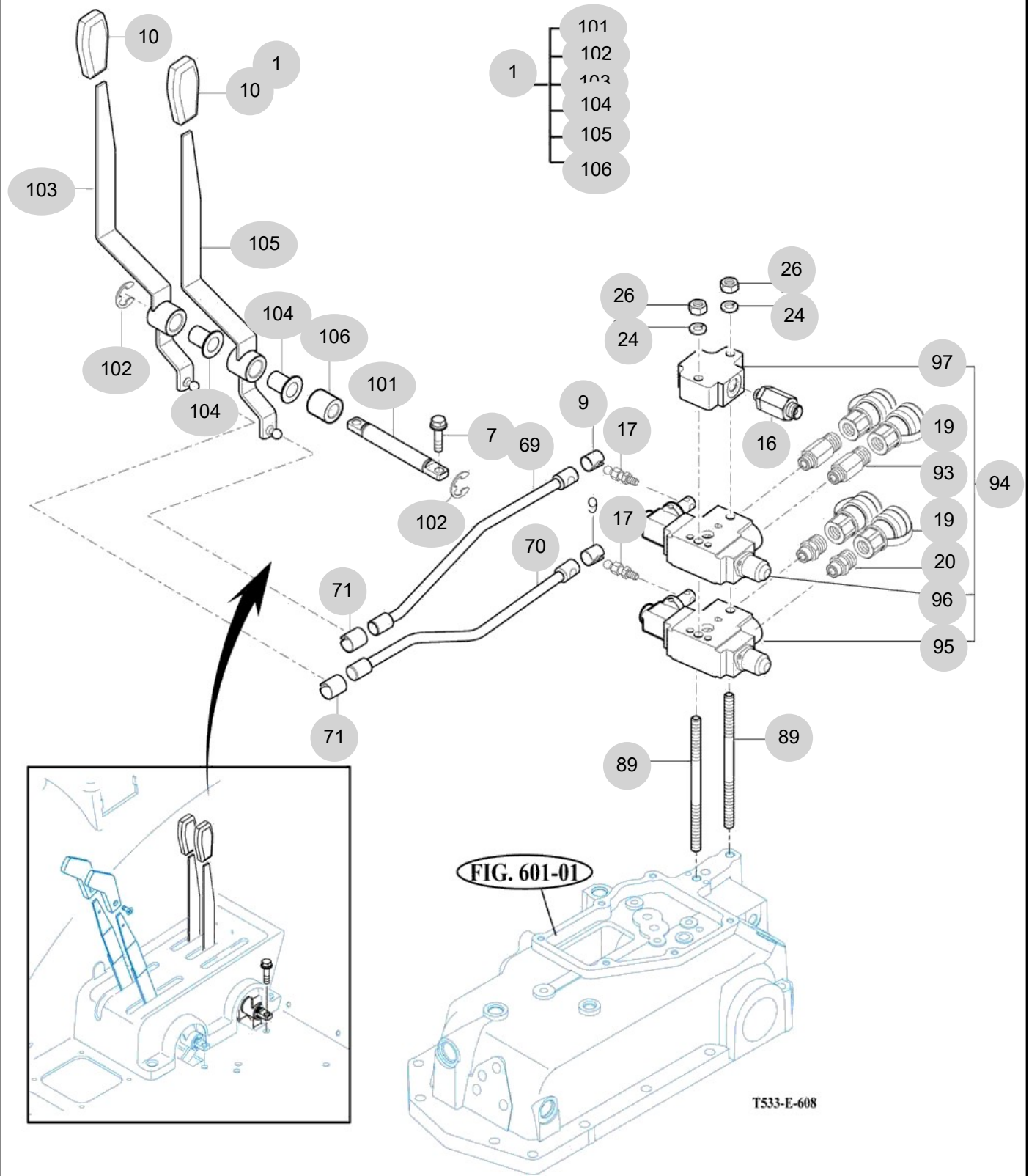
FIG 607

T454NH

POSITION & DRAFT LEVER

년/월
Year/Month

2022-12



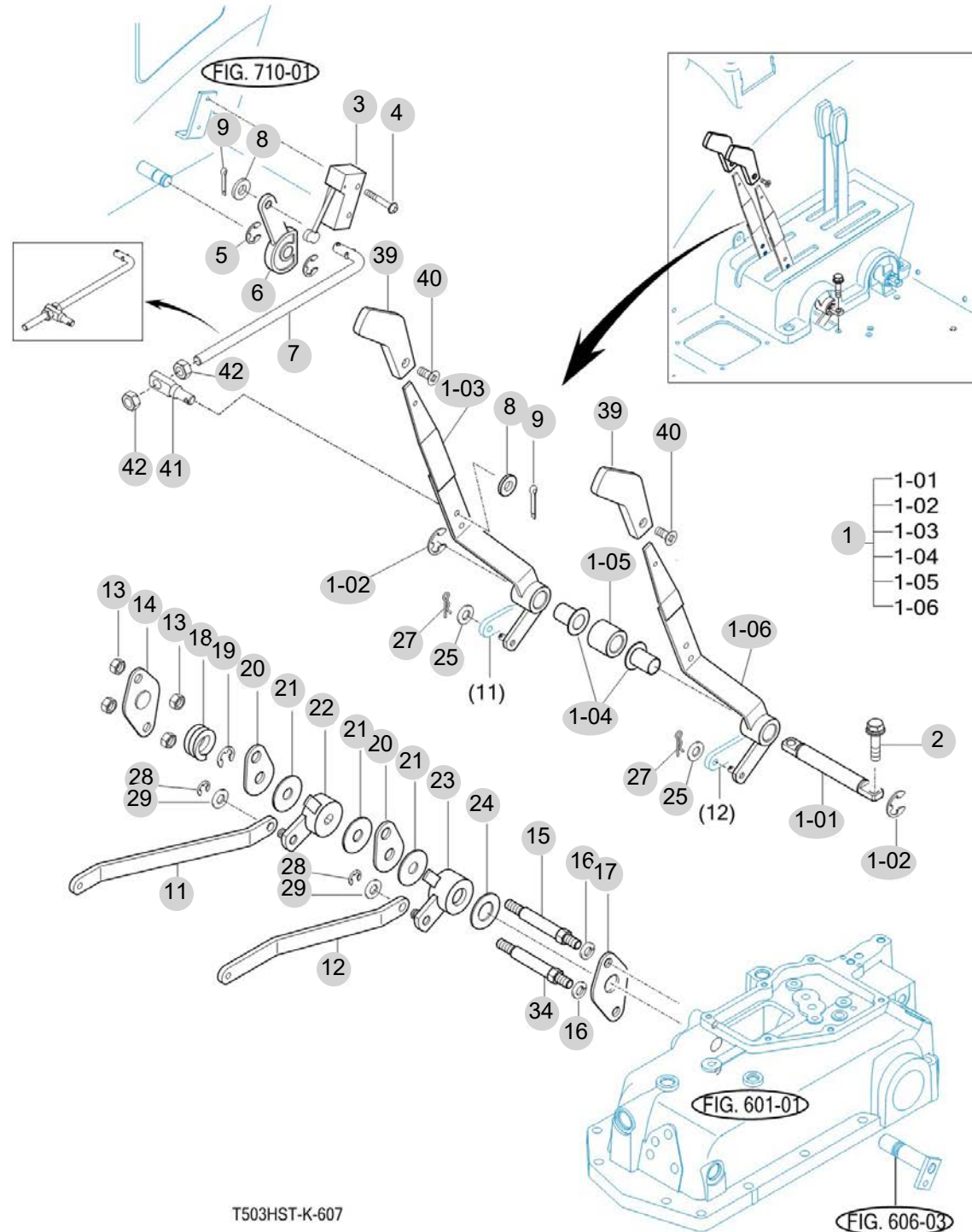
NOTE

FIG 607

POSITION & DRAFT LEVER

년/월
Year/Month

2022-12



NOTE

FIG 607		POSITION & DRAFT LEVER						년/월 Year/Month	
								2022-12	
T454NH		KEY NO	PART NO	DESCRIPTION	SPEC	QTY	REPAIR	EFFECTIVE DATE	REMARKS
607	1	10567092100	REVER SUB, POSITION/DRAFT			1			
607	2	V2183608020	BOLT , HEX/SP	M8X20		2			
607	3	16606742301	SWITCH ASSY . LIMIT			1			
607	4	V1222604025	SCREW , C/R PAN/SP	M4X25		2			
607	5	V7081400080	E-RING	8		2			
607	6	14527090020	CAM , SENSER	1X1X1		1			
607	7	19997090010	ROD,SWITCH	6*150*28		1			
607	8	V4111600060	WASHER , PLAIN	M6		2			
607	9	V5001920020	PIN , SPLIT	2X20		2			
607	11	14525070121	PLATE , POSITION	19X6T		1			
607	12	14525070141	PLATE , DRAFTER	19X6T		1			
607	13	V3043600100	NUT , HEX/2	M10		4			
607	14	17995070140	PLATE , C	3.2T		1			
607	15	17995070150	BOLT , SUPPORT	H14X108.9		1			
607	16	V4011600100	WASHER , SPRING	M10		2			
607	17	17995070170	PLATE , D	3.2TX90X50		1			
607	18	17995070180	SPRING	33X23		1			
607	19	V7081400120	E-RING	12		1			
607	20	17995070200	PLATE , A	3.2TX40X62		2			
607	21	17995070211	PLATE , FRICTION	13X40X2T		3			
607	21	13835070210	PLATE , FRICTION			3			
607	22	14525070221	ARM COMP , POSITION	1X1X1		1			
607	23	14525070230	ARM COMP , DRAFT LEVER			1			
607	24	17995070241	PLATE , FRICTION	21*40*2T		1			
607	24	13835070220	PLATE , FRICTION			1			
607	25	V4111600060	WASHER , PLAIN	M6		2			
607	27	21306010180	PIN , SNAP/6	D=1.2		2			
607	28	V7081400080	E-RING	8		2			
607	29	V4111600100	WASHER , PLAIN	M10		2			
607	34	17995070340	BOLT , SUPPORT			1			
607	39	15605110054	GRIP , 3X17X97	9.5X9.7X5.3		2			
607	40	V1122605012	SCREW , C/R FLAT	M5X12		2			
607	41	19997090210	PIN , POSITION ROD			1			
607	42	V3002600060	NUT , HEX/1	M6		2			
607	101	14527092110	SHAFT	D=16		1			
607	102	V7081400150	E-RING	15		2			
607	103	14527092201GB	LEVER COMP,P/D	1X1X1		1			
607	104	14527092120	BUSH, NYLON/16X18X27	1X1X1		2			
607	105	14527092251	COLLER , SPACE	D=30		1			
607	106	10567092300GB	LEVER COMP,P/D			1			
NOTE									

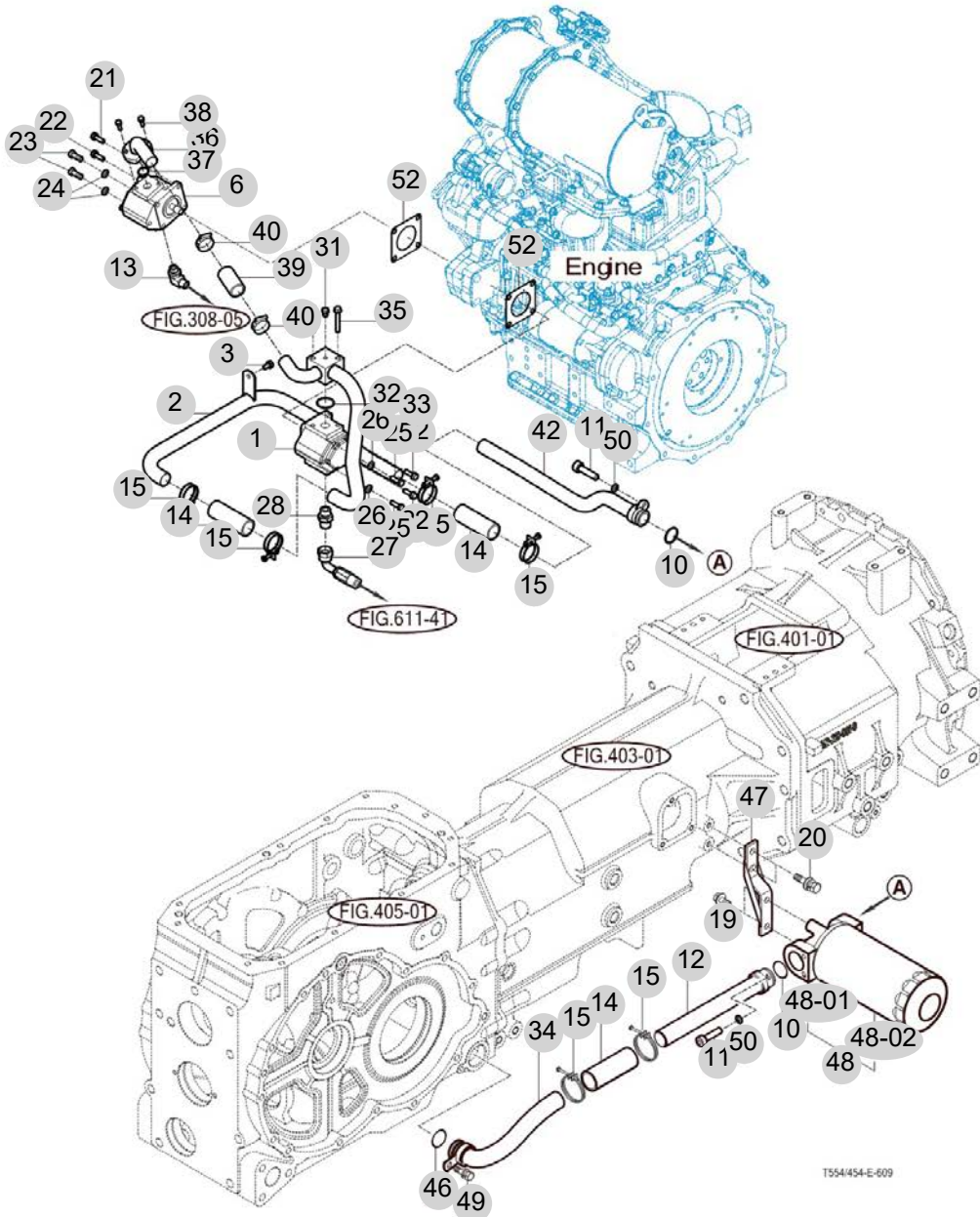
FIG 609

HYDRAULIC PIPE

년/월
Year/Month

2022-12

T454NH



T554/454-E-609

NOTE

FIG 609		HYDRAULIC PIPE					년/월 Year/Month		
							2022-12		
T454NH		KEY NO	PART NO	DESCRIPTION	SPEC	QTY	REPAIR	EFFECTIVE DATE	REMARKS
609	1	15115100001	PUMP ASSY , GEAR (MAIN)			1			
609	2	17465152201GB	PIPE COMP , SUCTION FR/RR			1			
609	2	17465152202GB	PIPE COMP , SUCTION FR/RR			1			
609	3	V2173608016	BOLT , HEX/S	M8X16		1			
609	6	15115200000	PUMP ASSY , GEAR	7.5CC/REV		1			
609	10	V7211031030	O-RING , G			2			
609	11	V2205408016	BOLT , HEX-SOCKET	M8X16		2			
609	12	14525153401	PIPE COMP , FR SUCTION			1			
609	12	14525153401PC	PIPE COMP , FR SUCTION			1			
609	12	14525153401	PIPE COMP , FR SUCTION			1			
609	13	36313530021	ADAPTER , HIGH-PRESSURE	25XC112X39		1			
609	14	15605150031	HOSE , 100			3			
609	15	18027090400	BAND CLAMP 40 EMBO TYPE	D=40		6			
609	19	V2183610025	BOLT , HEX/SP	M10X25		2			
609	20	V2183608020	BOLT , HEX/SP	M8X20		2			
609	21	V2173608040	BOLT , HEX/S	M8X40		1			
609	22	V2173608025	BOLT , HEX/S	M8X25		3			
609	23	V2013608110	BOLT , HEX	M8X110		2			
609	24	V4011600080	WASHER , SPRING	M8		2			
609	25	V2013608110	BOLT , HEX	M8X110		2			
609	26	V4011600080	WASHER , SPRING	M8		2			
609	27	14525152331	HOSE ASSY , HYD 1560	1X1X1		1			
609	28	16582630620	CONNECTOR , PF1/2	C3236-0808		1			
609	31	13267060022	PLUG , DRAIN	육각 B=12		1			
609	32	V7211031030	O-RING , G			1			
609	33	17465153301GB	PIPE COMP , SUCTION FR			1			
609	33	17465153302GB	PIPE COMP , SUCTION FR			1			
609	33	17465153303GB	PIPE COMP , SUCTION FR			1			
609	34	14525162402PC	PIPE COMP , SUCTION RR			1			
609	34	14525162403	PIPE COMP , SUCTION RR			1			
609	35	V2173608055	BOLT , HEX/S	M8X55		2			
609	36	15155152901GB	PIPE COMP , FR SUCTION			1			
609	37	V7201024018	O-RING , P	P18		1			
609	38	V2113606020	BOLT , HEX /S	M6X20		2			
609	39	19955100010	HOSE , 26X34X60			1			
609	40	18027090400	BAND CLAMP 40 EMBO TYPE			2			
609	42	14525152101	PIPE COMP , SUCTION IN			1			
609	42	14525152102	PIPE COMP , SUCTION IN			1			
609	42	14525152102PC	PIPE COMP , SUCTION IN			1			
609	42	14525152103	PIPE COMP , SUCTION IN			1			
609	46	V7211031030	O-RING , G	G30		1			
609	47	14525150000GB	BRACKET , OIL FILTER			1			
609	47	14525150000	BRACKET , OIL FILTER			1			
609	47	14525150001	BRACKET , OIL FILTER			1			
609	48	17975152001	FILTER ASSY , SUCTION 43	1X1X1		1			
NOTE									

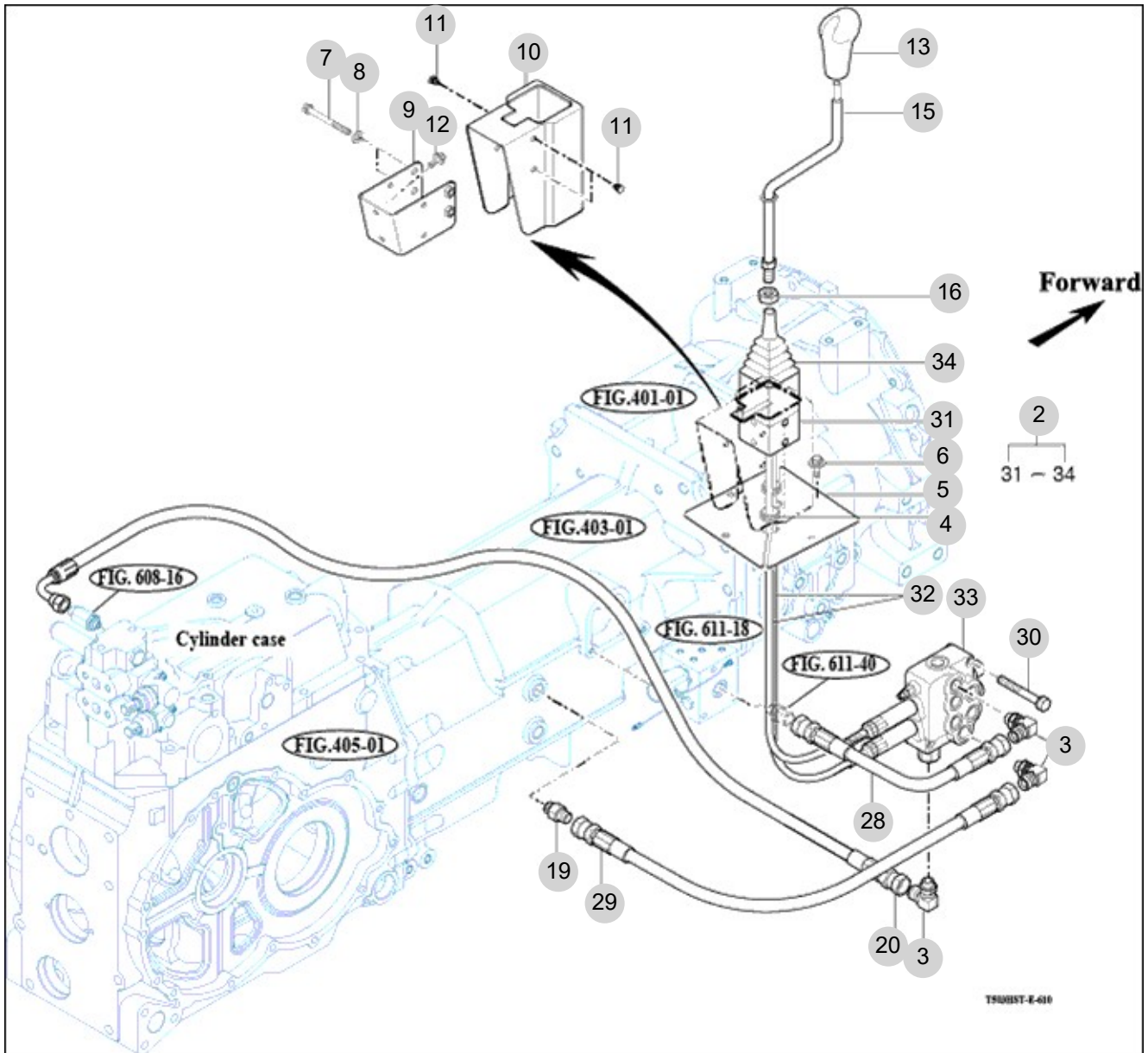
FIG 610

T454NH

JOYSTICK

년/월
Year/Month

2022-12



NOTE

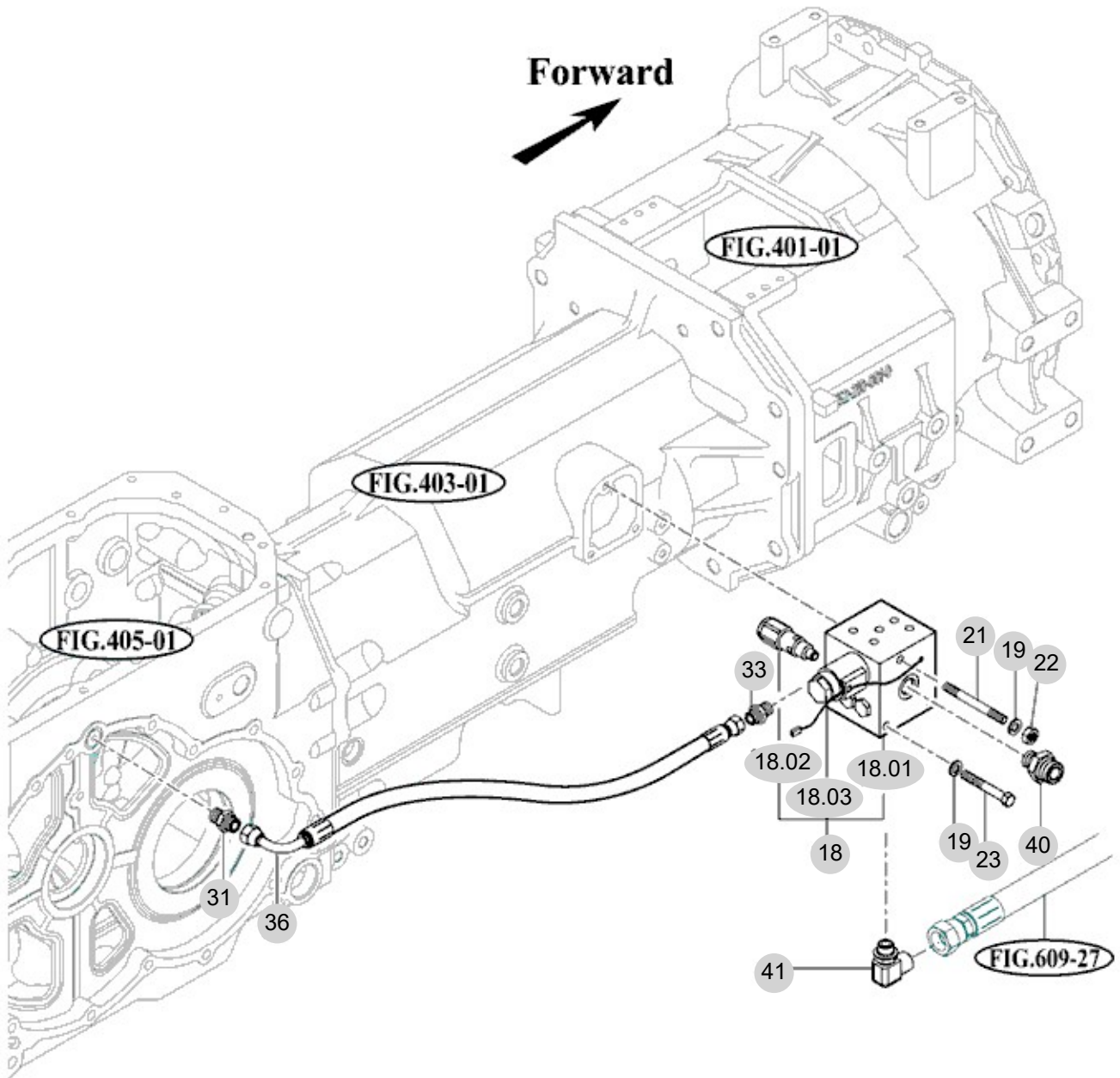
FIG 611

HYDRAULIC HOSE

년/월
Year/Month

2022-12

T454NH



NOTE

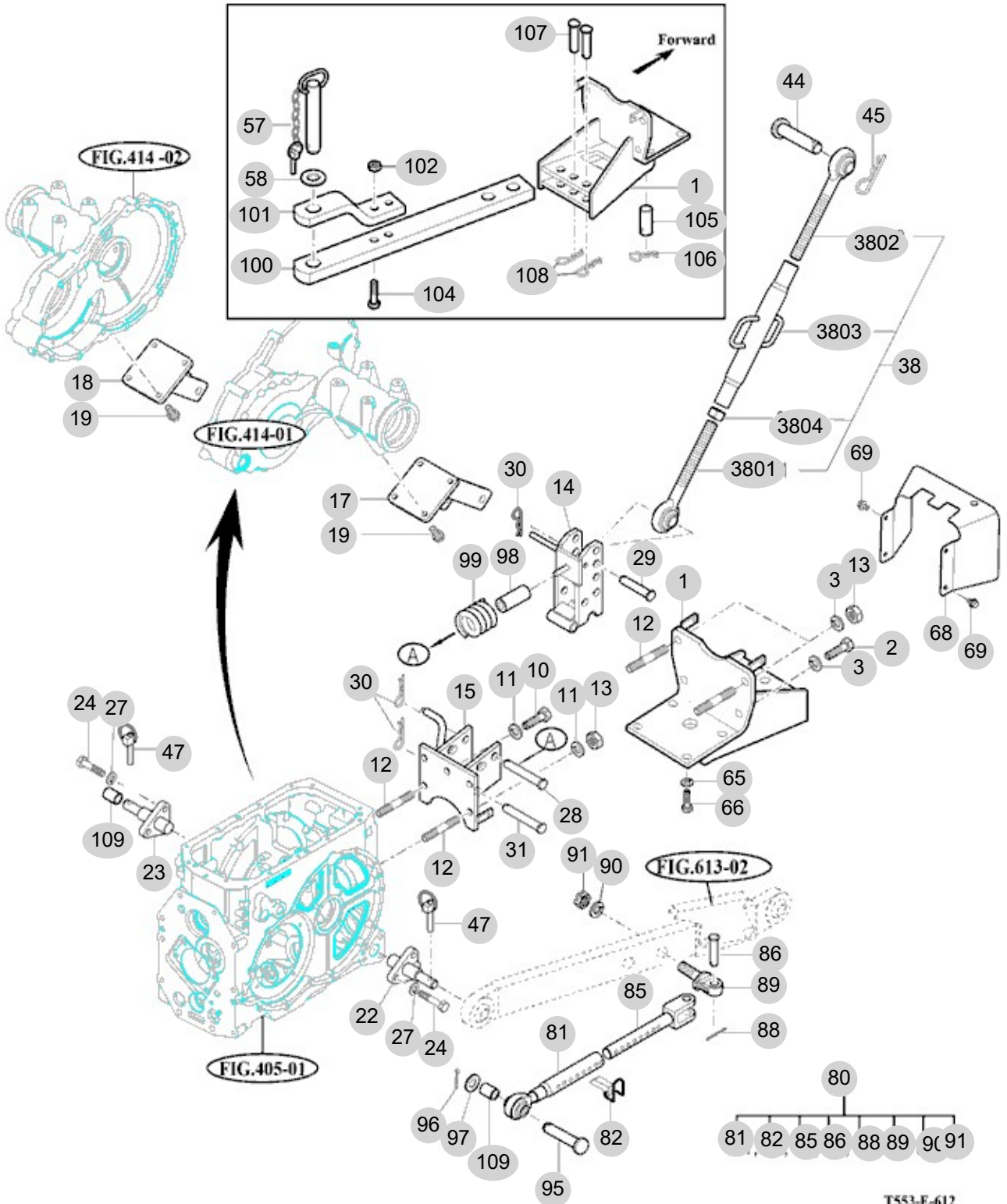
FIG 612

T454NH

HITCH & 3-POINT LINK

년/월
Year/Month

2022-12



T553-E-612

NOTE

FIG 612		HITCH & 3-POINT LINK					년/월 Year/Month		
							2022-12		
T454NH		KEY NO	PART NO	DESCRIPTION	SPEC	QTY	REPAIR	EFFECTIVE DATE	REMARKS
612	1	15535202001GB	BRACKET COMP, SWING DRAWBAR			1			
612	1	15535202002GB	BRACKET COMP, SWING DRAWBAR			1			
612	1	15535202003GB	BRACKET COMP, SWING DRAWBAR			1			
612	2	V2013616035	BOLT, HEX	M16X35		2			
612	3	V4011600160	WASHER, SPRING	M16		4			
612	10	V2013616035	BOLT, HEX	M16X35		3			
612	11	V4011600160	WASHER, SPRING	M16		5			
612	12	V2513416035	BOLT, STUD/2	M16X35		4			
612	13	V3043600160	NUT, HEX/2	M16		4			
612	14	16735222102GB	LINK COMP	1X1X1		1			
612	15	15185222000GB	BRACKET COMP			1			
612	17	14525254100GB	BRACKET COMP, RR			1			
612	18	14525254100GB	BRACKET COMP, RR			1			
612	19	V2173612030	BOLT, HEX/S	M12X30		8			
612	22	15685252204	PIN COMP, LH			1			
612	23	15685252801	PIN COMP, RH			1			
612	24	V2013614040	BOLT, HEX	M14X40		6			
612	27	V4011600140	WASHER, SPRING	M14		6			
612	28	15645250010	PIN, 19X122	D=19		1			
612	29	15645220020	PIN, 19X95	D=19		1			
612	30	14445140051	PIN, 19	D=4.5		3			
612	31	15645250010	PIN, 19X122	D=19		1			
612	38	16505245501GB	LINK ASSY, TOP LINK			1			
612	38	16505245502GB	TOP LINK ASSY			1			
612	44	15645220011	PIN, 19X86	D=19		1			
612	45	14445140051	PIN, 19	D=4.5		1			
612	47	14215020020	PIN, LINK			2			
612	57	S0973063031	PIN ASSY	1X1X1		1			
612	58	15252470010	RUBBER, CUSHION			1			
612	65	V4011600140	WASHER, SPRING	M14		4			
612	66	V2013614035	BOLT, HEX	M14X35		4			
612	68	13605200012GB	COVER, SHIELD	1X1X1		1			
612	69	V2183608016	BOLT, HEX/SP	M8X16		4			
612	80	15155253000GB	LINK ASSY, ADJUSTER	570*60*50		2			
612	81	15155253100	ROD SUB, FR	44*320*60		2			
612	82	17705254200	PIN	1X1X1		2			
612	85	15155253300	ROD SUB, REAR	340*50*50		2			
612	86	15155253400	PIN, ø20X59	ø20X59		2			
612	88	V5001940035	PIN, SPLIT	4X35		2			
612	89	15155253500	EYEBOLT	66*60*40		2			
612	90	V4111600220	WASHER, PLAIN	M22		2			
612	91	V3343600220	NUT, HEX FINE/2	M22		2			
612	95	15645220020	PIN, 19X95	D=19		2			
612	96	14445140051	PIN, 19	D=4.5		2			
612	97	V4111600200	WASHER, PLAIN	M20		2			
NOTE									

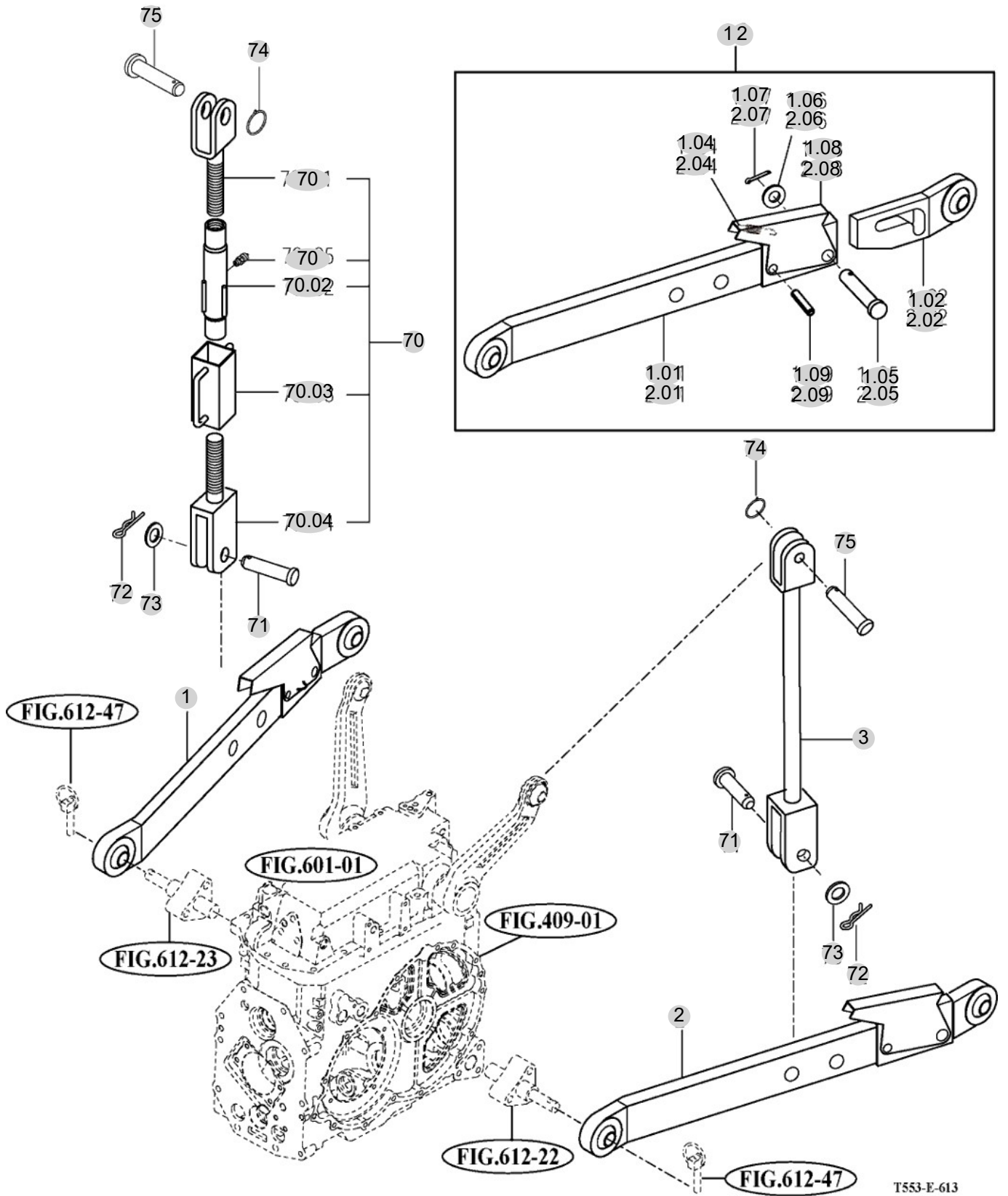
FIG 613

LOWER LINK & LIFT ROD

년/월
Year/Month

T454NH

2022-12



NOTE

FIG 613 T454NH		LOWER LINK & LIFT ROD						년/월 Year/Month	
								2022-12	
KEY NO	PART NO	DESCRIPTION	SPEC	QTY	REPAIR	EFFECTIVE DATE	REMARKS		
613	1	15175262200GB	LINK ASSY , RH LOWER	1X1X1	1				
613	1	15155262200GB	LINK ASSY , RH LOWER	1X1X1	1				
613	2	15175262300GB	LINK ASSY , LOWER LH	1X1X1	1				
613	2	15155262300GB	LINK ASSY , LH LOWER	870*100*55	1				
613	3	15175243000GB	ROD ASSY , LIFT	1X1X1	1				
613	3	12185243000GB	ROD ASSY , LIFT		1				
613	3	15155243000GB	ROD ASSY , LIFT	535*55*50	1				
613	3	12175243000GB	ROD ASSY , LIFT		1				
613	70	15175244000GB	LINK ASSY , LIFT RH	1X1X1	1				
613	70	15155244000GB	LIFT ROD ASSY , RH	1X1X1	1				
613	70	V7601500000	NIPPLE , GREASE/A-M6F		1				
613	71	15175250010	PIN , 22X63	D=22	2				
613	71	15605260014	PIN , 16X51	D=16	2				
613	72	S2169908420	PIN , SNAP/28	1X1X1	2				
613	72	V5601600160	PIN , SNAP	160	2				
613	73	V4111600220	WASHER , PLAIN	M22	2				
613	73	V4111600160	WASHER , PLAIN	M16	2				
613	74	16735240060	Spring	D48	2				
613	75	16735243500	PIN	1X1X1	2				
613	101	15175262210	LINK SUB, LOWER RH/FR	810*75*56	1				
613	101	15155262210	LINK SUB, LOWER RH/FR	810*70*56	1				
613	102	15175262220	LINK SUB , LOWER RH/RR	220*80*42	1				
613	102	15155262220	LINK SUB , LOWER RH/RR	220*75*42	1				
613	104	15155262330	SPRING , EXTENSION	T=3.0	1				
613	105	15155262340	PIN , 22X56	22X56	1				
613	106	V4111600220	WASHER , PLAIN	M22	1				
613	107	V5001940035	PIN , SPLIT	4X35	1				
613	108	15155262350	GRIP		1				
613	109	15155262360	PIN , SPRING		1				
613	201	15175262310	LINK SUB, LOWER LH/FR	810*75*56	1				
613	201	15155262310	LINK SUB, LOWER LH/FR	810*70*56	1				
613	202	15175262320	LINK SUB , LOWER LH/RR	220*80*42	1				
613	202	15155262320	LINK SUB , LOWER LH/RR	220*75*42	1				
613	204	15155262330	SPRING , EXTENSION	T=3.0	1				
613	205	15155262340	PIN , 22X56	22X56	1				
613	206	V4111600220	WASHER , PLAIN	M22	1				
613	207	V5001940035	PIN , SPLIT	4X35	1				
613	208	15155262350	GRIP		1				
613	209	15155262360	PIN , SPRING		1				
613	7001	15155244100	LIFT SUB , UPR	212*59*38	1				
613	7002	15155244200	SLEEVE	ø35*225	1				
613	7003	15155244300	HANDLE	120*40*106	1				
613	7004	15175244400	LIFT SUB , LOW	50*55*267.5	1				
613	7004	15155244400	LIFT SUB , LOW	38*44*238	1				
NOTE									

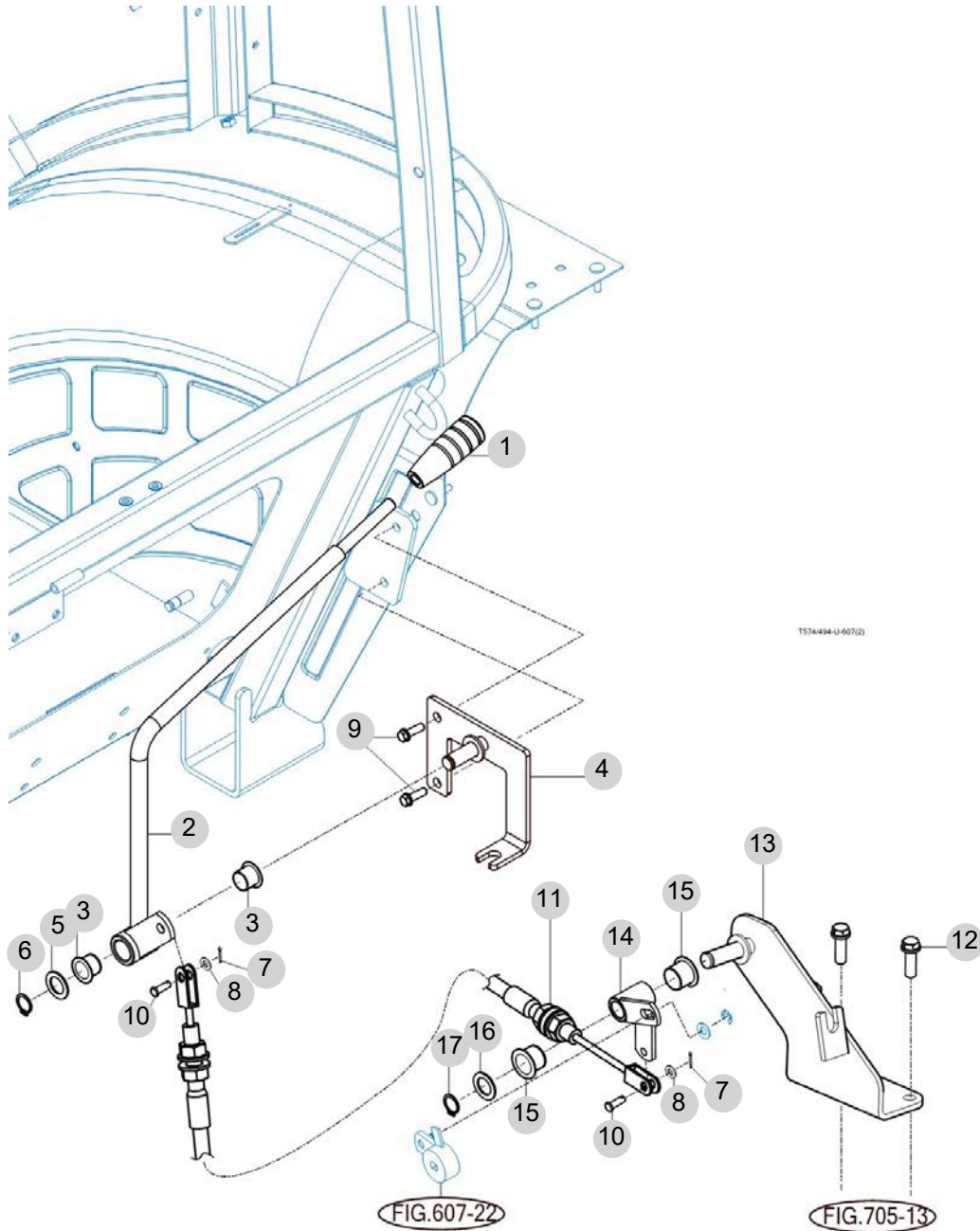
FIG 614

EXTERNAL POSITION LEVER KIT

년/월
Year/Month

T454NH

2022-12



NOTE

7. Sheet Metal & Cabin PART NO. T7

FIG 701 HOOD (1)	174
FIG 702 HOOD (2)	177
FIG 704B LEVER COVER & STEP-NON CAB	179
FIG 705 FRONT & REAR MOUNTING	181
FIG 706 SEAT & MAT	183
FIG 710B FRAME & 2POLES-ROPS-NON CAB	185
FIG 713B SUB FENDER&COVER-NON CAB	187
FIG 714B MIRROR&WORKING LAMP-NON CAB	189
FIG 718 CABIN INTERIOR	191
FIG 719 PEDAL SUB ASSY	193

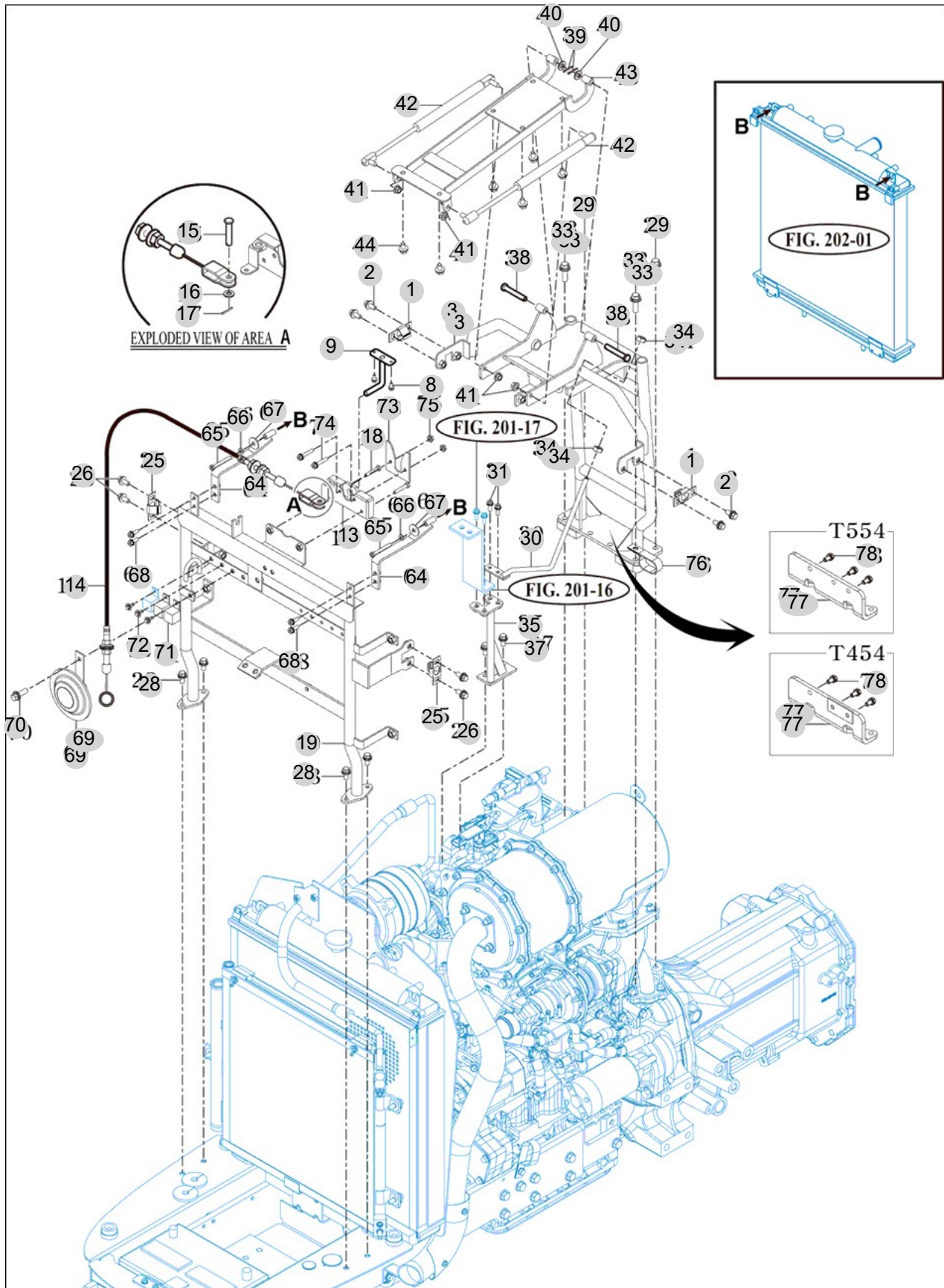
FIG 701

HOOD (1)

년/월
Year/Month

T454NH

2022-12



NOTE

FIG 701		HOOD (1)					년/월 Year/Month		
							2022-12		
T454NH		KEY NO	PART NO	DESCRIPTION	SPEC	QTY	REPAIR	EFFECTIVE DATE	REMARKS
701	1	17686013502	SPRING	T=1.0	2				
701	2	V2183608020	BOLT , HEX/SP	M8X20	4				
701	3	17466019400	HOOD FRAME SUB ASSY		1				
701	3	17476019400	HOOD FRAME SUB ASSY		1				
701	8	V2183608016	BOLT , HEX/SP	M8X16	2				
701	9	17466022100	BRACKET COMP , HOOD LOCK		1				
701	13	17686020600	LOCK COMP . HOOD	1X1X1	1				
701	14	14526020650	CABLE ASSY , HOOD	1X1X1	1				
701	15	15601160083	PIN , 06X16	D=6	1				
701	16	V4111600060	WASHER , PLAIN	M6	1				
701	17	V5001920020	PIN , SPLIT	2X20	1				
701	18	V2053606035	BOLT , HEX C/R	M6X35	2				
701	19	17466029000	FRAME , FR HOOD		1				
701	25	17686013502	SPRING	T=1.0	2				
701	26	V2183608020	BOLT , HEX/SP	M8X20	4				
701	28	V2183608020	BOLT , HEX/SP	M8X20	4				
701	29	V2183610020	BOLT , HEX/SP	M10X20	2				
701	30	17463282200	ROD COMP		1				
701	31	V2123606020	BOLT , HEX /SP	M6X20	2				
701	33	V2183610035	BOLT , HEX/SP	M10X35	2				
701	33	V2174610050	BOLT , HEX/S	M10X50	2				
701	34	V3342600100	NUT , HEX FINE/2	M10	2				
701	34	V3013600100	NUT .HEX NORMAL /2	M10	2				
701	35	17466052300GB	SUPPORT COMP		1				
701	37	V2183608020	BOLT , HEX/SP	M8X20	2				
701	38	16996024552	PIN	D=8	2				
701	39	V5001920020	PIN , SPLIT	2X20	2				
701	40	V4111600080	WASHER , PLAIN	M8	2				
701	41	V3802600080	NUT , HEX FLANGE	M8	4				
701	42	19957022201	DAMPER ASSY,HOOD	1X1X1	2				
701	43	19956054600GB	HOOD OPEN BRACKET COMP	1X1X1	1				
701	44	V2183608016	BOLT , HEX/SP	M8X16	6				
701	64	17466012100GB	PLATE COMP , RADIATOR FIX		2				
701	65	V2053606050	BOLT , HEX C/R	M6X50	2				
701	66	V4011600060	WASHER , SPRING	M6	2				
701	67	35602010150	WASHER , BIND SHAFT	T=2.3	2				
701	68	V2123606020	BOLT , HEX /SP	M6X20	4				
701	69	13266212002	HORN		1				
701	69	13266212003	HORN		1				
701	70	V2113606012	BOLT , HEX /S	M6X12	1				
701	71	17686641110	RELAY , PREHEAT	1X1X1	2				
701	72	V2193606016	BOLT , HEX/SPL	M6X16	2				
701	72	V2193606016	BOLT , HEX/SPL	M6X16	3				
701	73	17406014300	GUIDE, HOOD PIN		1				
701	74	V2123606035	BOLT , HEX /SP	M6X35	2				
NOTE									

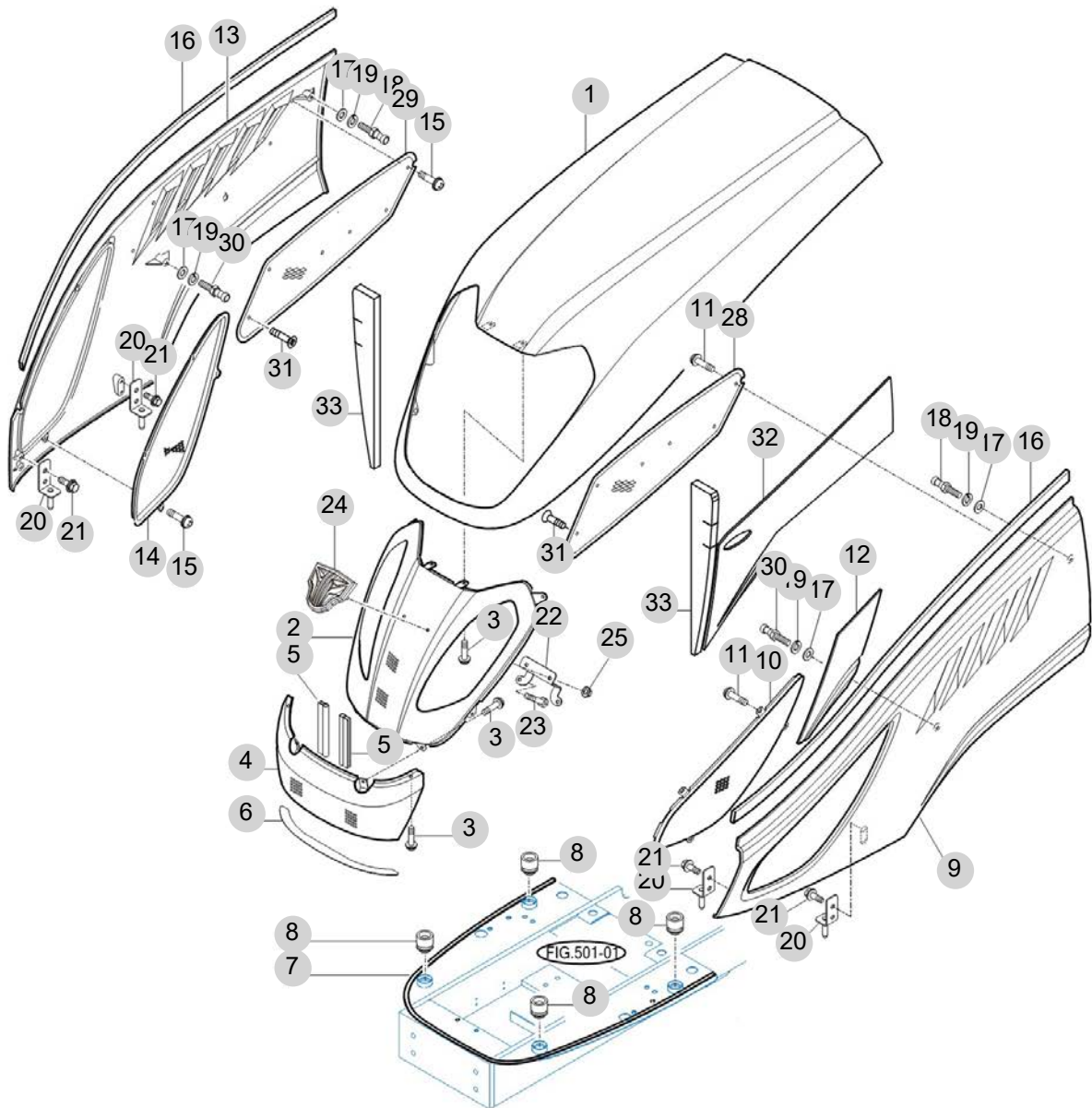
FIG 702

T454NH

HOOD (2)

년/월
Year/Month

2022-12



T554/454-E-702

NOTE

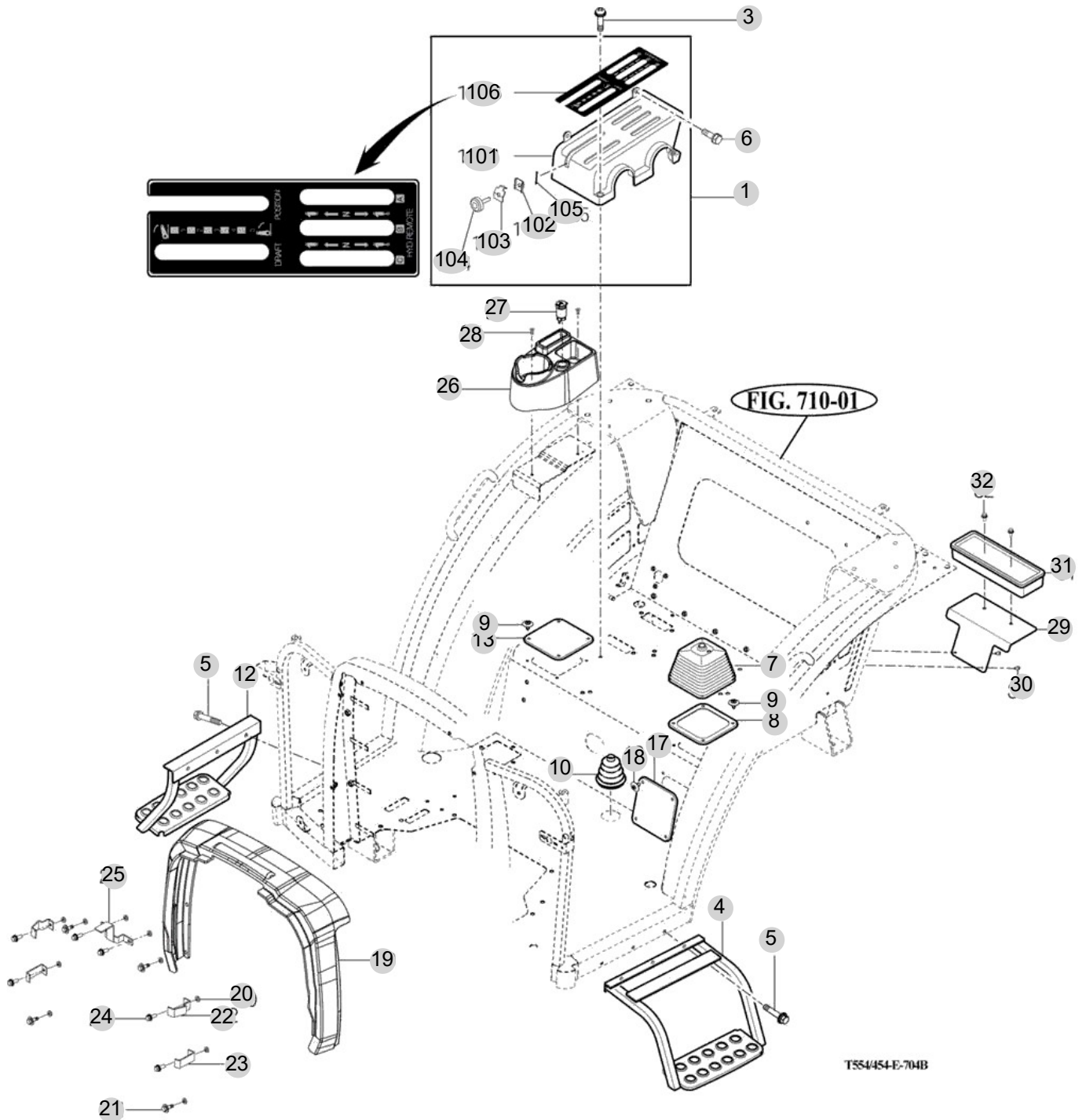
FIG 704B

LEVER COVER & STEP-NON CAB

년/월
Year/Month

2022-12

T454NH



NOTE

FIG 704B		LEVER COVER & STEP-NON CAB						년/월	
								Year/Month	
T454NH								2022-12	
KEY NO	PART NO	DESCRIPTION	SPEC	QTY	REPAIR	EFFECTIVE DATE	REMARKS		
704B	1	14527095400	COVER SUB,LEVER	1X1X1	1				
704B	3	V1227006020	SCREW , C/R PAN/SP	M6X20	2				
704B	4	14526062601SR	STEP COMP , LH		2				
704B	4	14526062601GB	STEP COMP ,LH		2				
704B	4	14526062601GB	STEP COMP ,LH		1				
704B	5	V2173610065	BOLT , HEX/S		6				
704B	5	V2183610060	BOLT , HEX/SP	M10X60	6				
704B	6	V2103606020	BOLT , HEX /P	M6X20	2				
704B	7	14527071640	BOOT , SHIFTER	1X1X1	1				
704B	8	14527071650	COVER , BOOT	T=2.5	1				
704B	9	14526040030	RIVET SET	SV209	12				
704B	10	16991160011	BOOT , ACCELERATOR PEDAL		1				
704B	12	14526062700SR	STEP COMP , RH		1				
704B	12	14526062700GB	STEP COMP , RH		1				
704B	13	15157071630	PLATE,COVER PTO	1X1X1	2				
704B	17	15157071630	PLATE,COVER PTO	1X1X1	1				
704B	18	14526040030	RIVET SET	SV209	4				
704B	19	17477071130	COVER , EXTENTION		1				
704B	20	14527071120	COLLAR	D10.5X2T	10				
704B	21	V2193606020	BOLT , HEX/SPL	M6X20	4				
704B	22	14527071330	BRACKET , EXTENSION COVER LOWER	T=7	2				
704B	23	17467071340	BRACKET , LOW/EXTENSION COVER		2				
704B	24	17467071200	BRACKET COMP , UPR/EXTENSION COVER		2				
704B	25	V2123606020	BOLT , HEX /SP	M6X20	6				
704B	26	10556082120NG	CUP HOLDER , B		1				
704B	27	10037018500	SOCKET ASSY , POWER		1				
704B	28	V1122605012	SCREW , C/R FLAT	M5X12	2				
704B	29	11377011100GB	BRACKET COMP,TOOLBOX		1				
704B	30	V2183606016	BOLT , HEX/SP	M6X16	2				
704B	31	14136081181	BOX , TOOL		1				
704B	32	V2183608020	BOLT , HEX/SP	M8X20	2				
704B	101	14527095411	COVER,LEVER		1				
704B	101	14527095412	COVER,LEVER		1				
704B	102	14527095501	PLATE COMP	1X1X1	1				
704B	103	14526092010	PLATE	T=1.6	1				
704B	104	15186070020	BOLT , KNOB M8X31	3.4X3.4X4.4	1				
704B	105	V5001920020	PIN , SPLIT	2X20	1				
704B	106	14527095421	LABEL,POSITION		1				
704B	106	14527095422	LABEL,POSITION	T=0.05	1				
NOTE									

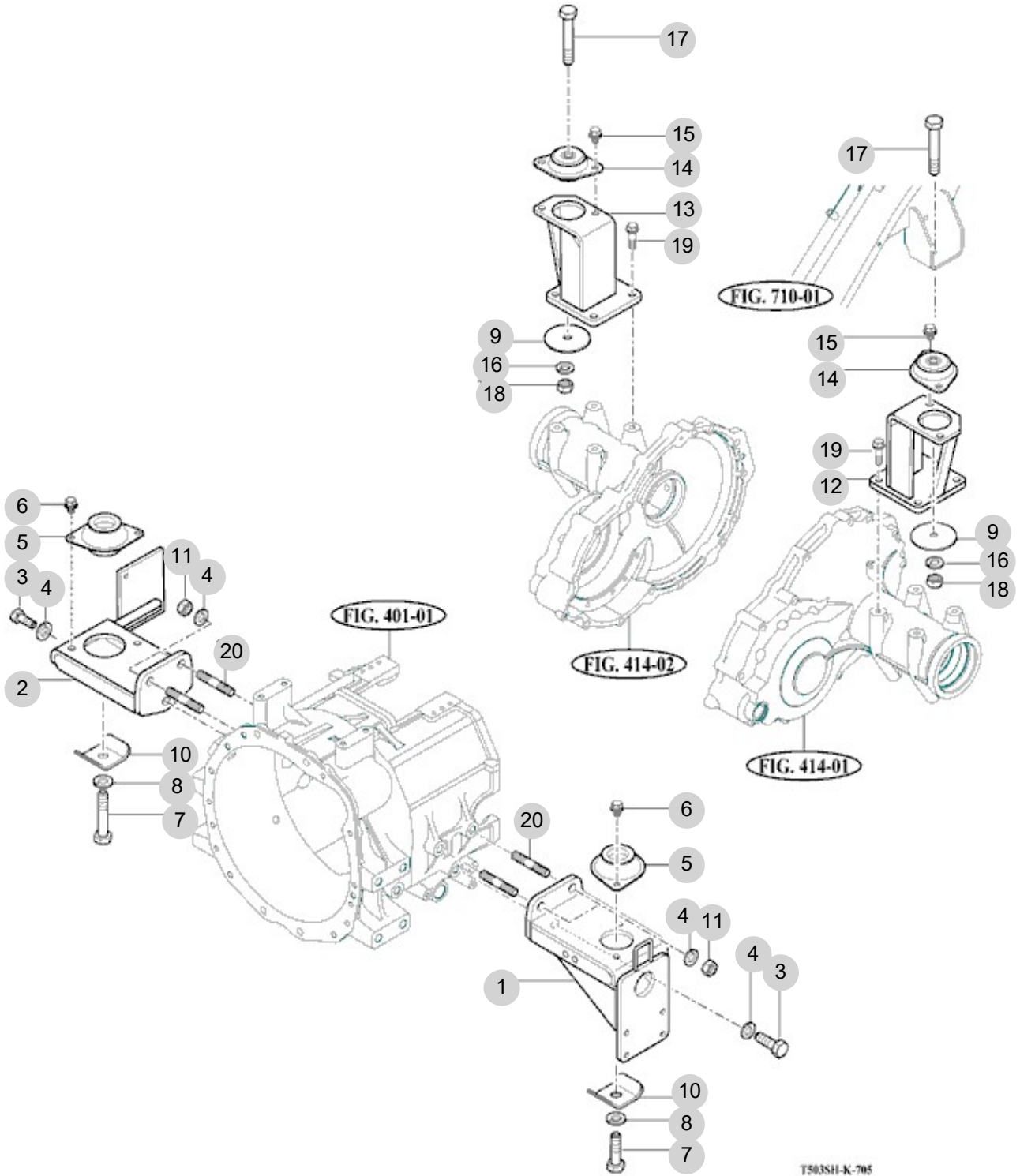
FIG 705

T454NH

FRONT & REAR MOUNTING

년/월
Year/Month

2022-12



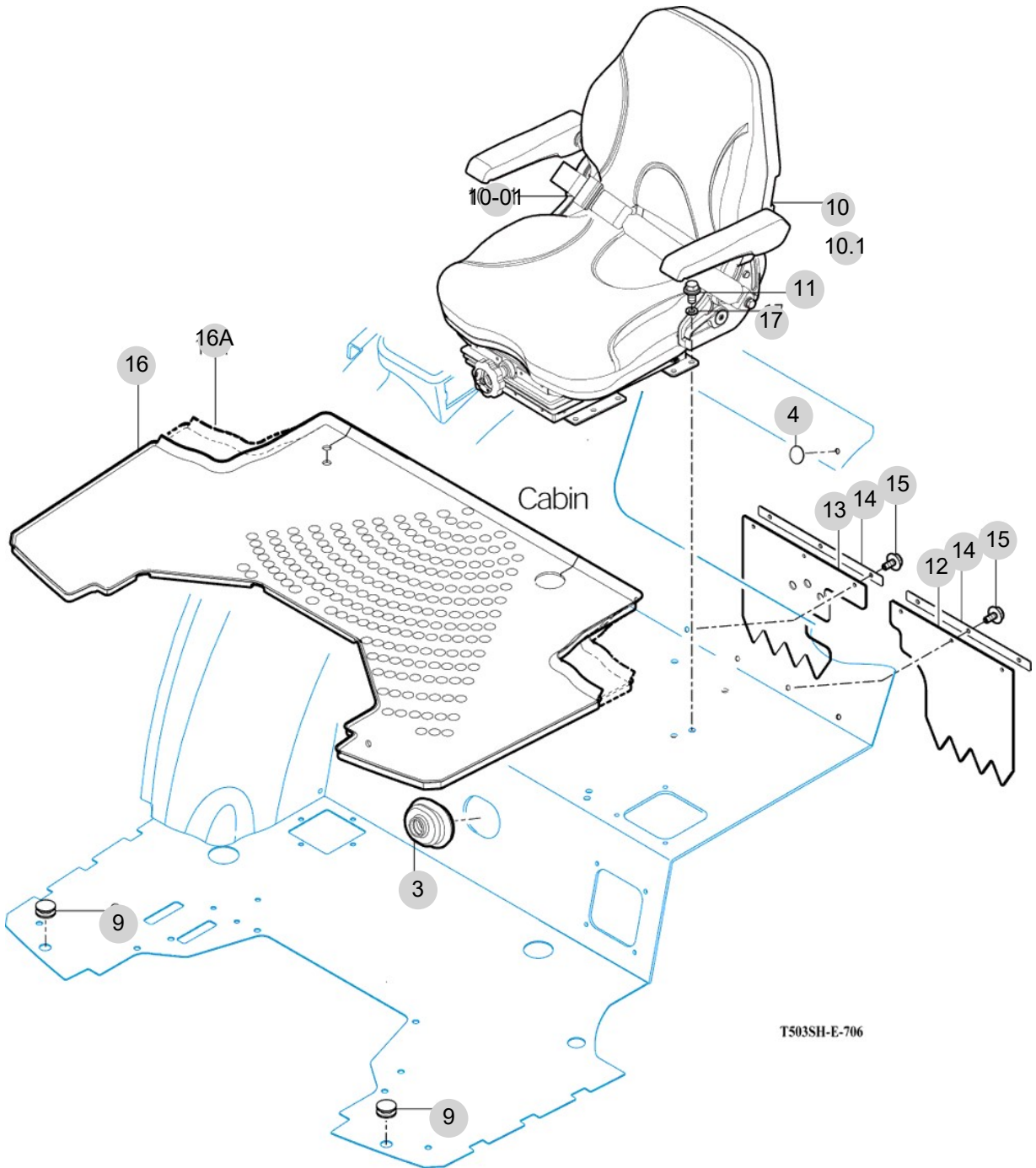
NOTE

FIG 706

SEAT & MAT

년/월
Year/Month

2022-12



NOTE

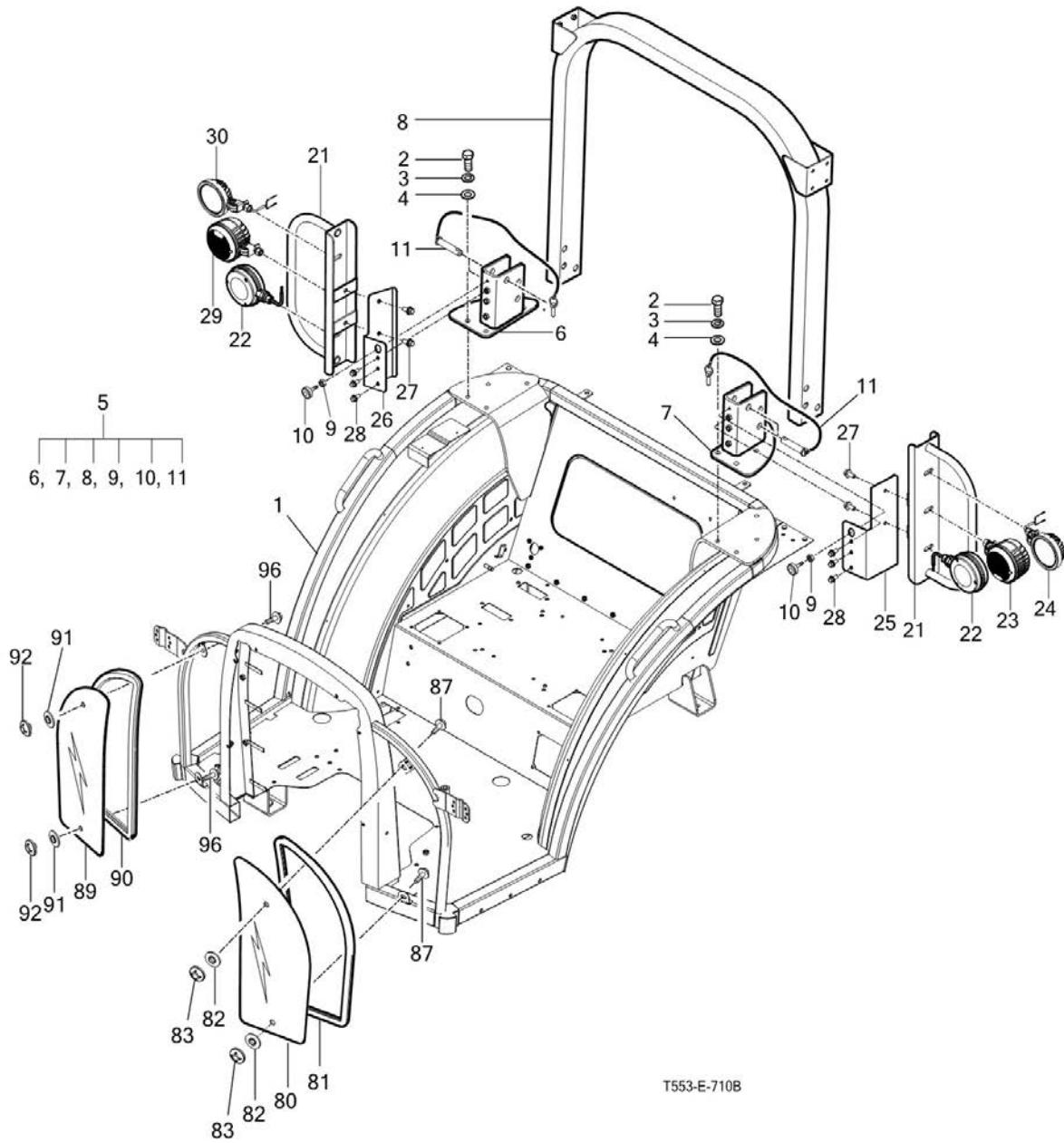
FIG 710B

FRAME & 2POLES-ROPS-NON CAB

년/월
Year/Month

2022-12

T454NH



T553-E-710B

NOTE

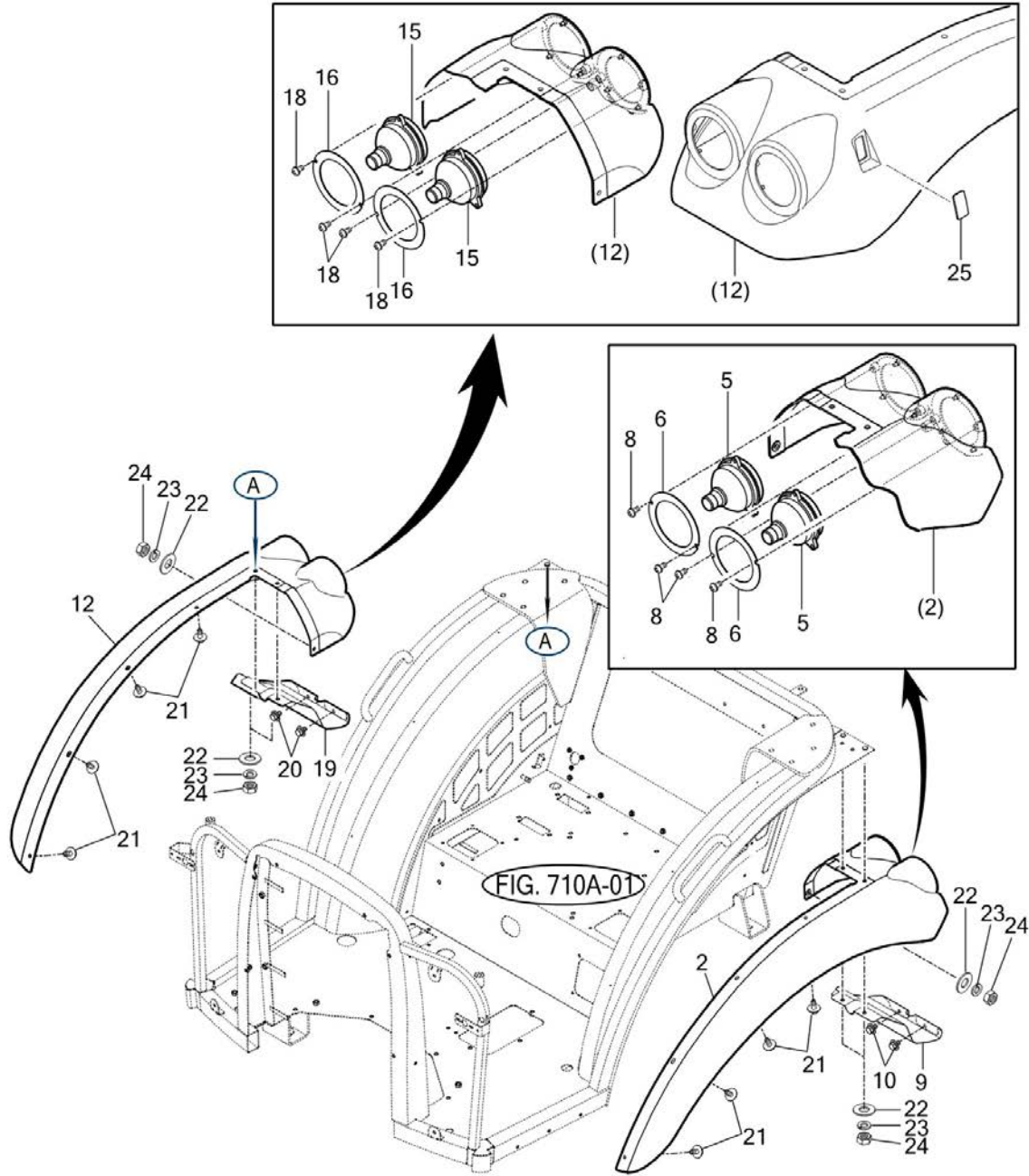
FIG 713B

SUB FENDER&COVER-NON CAB

년/월
Year/Month

2022-12

T454NH



T553-E-713B

NOTE

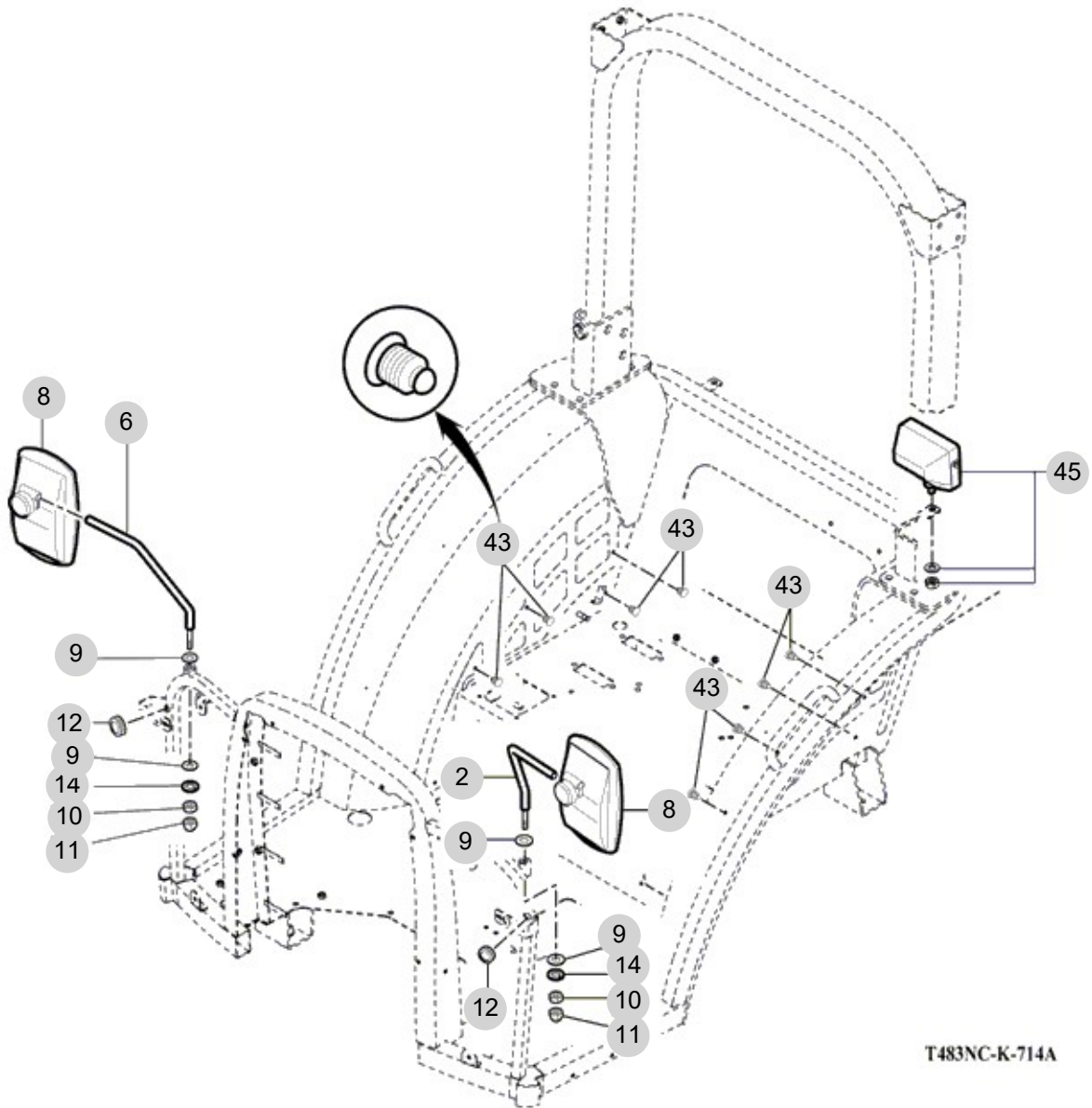
FIG 714B

MIRROR&WORKING LAMP-NON CAB

년/월
Year/Month

2022-12

T454NH



NOTE

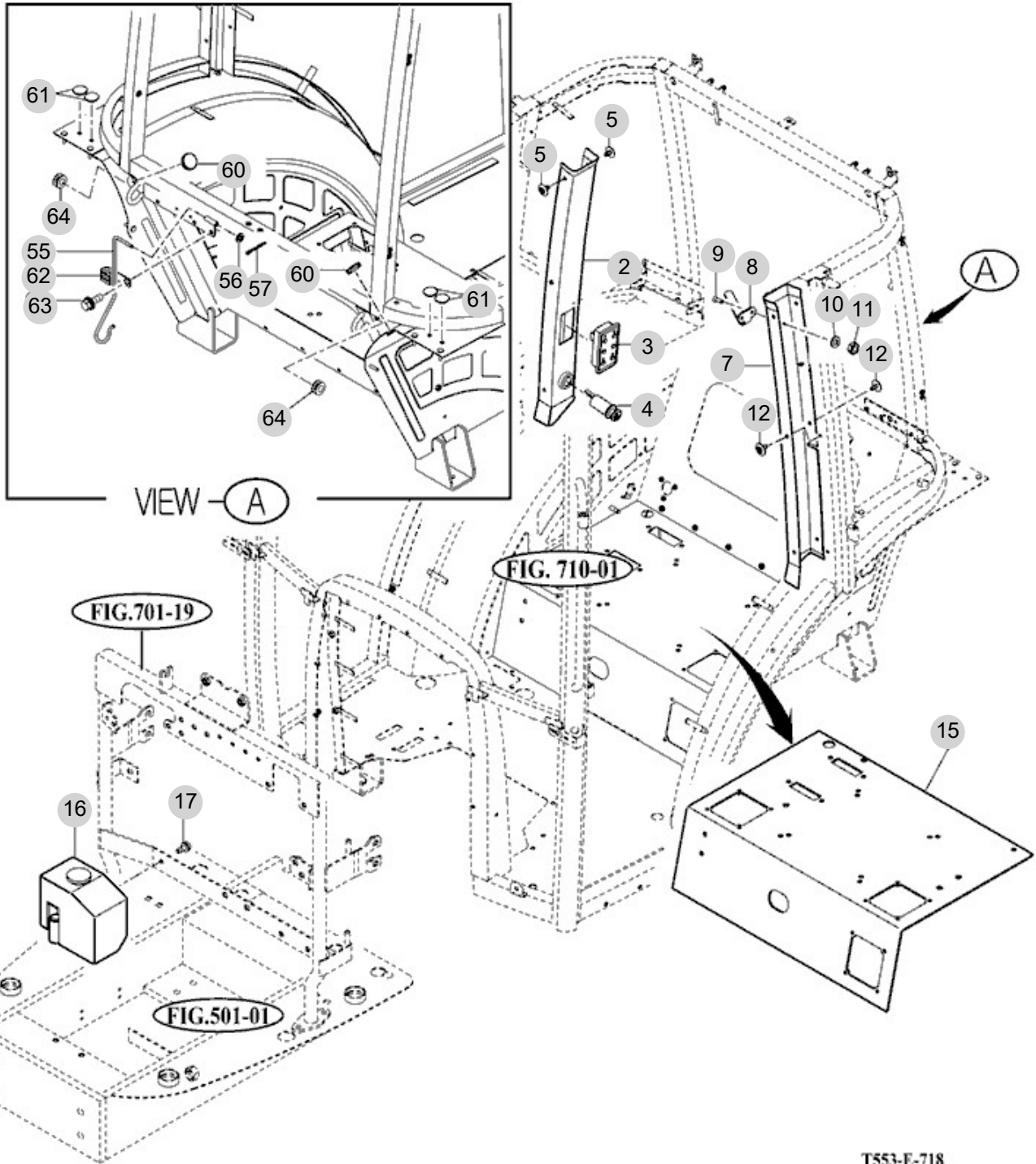
FIG 718

CABIN INTERIOR

년/월
Year/Month

T454NH

2022-12



T553-E-718

NOTE

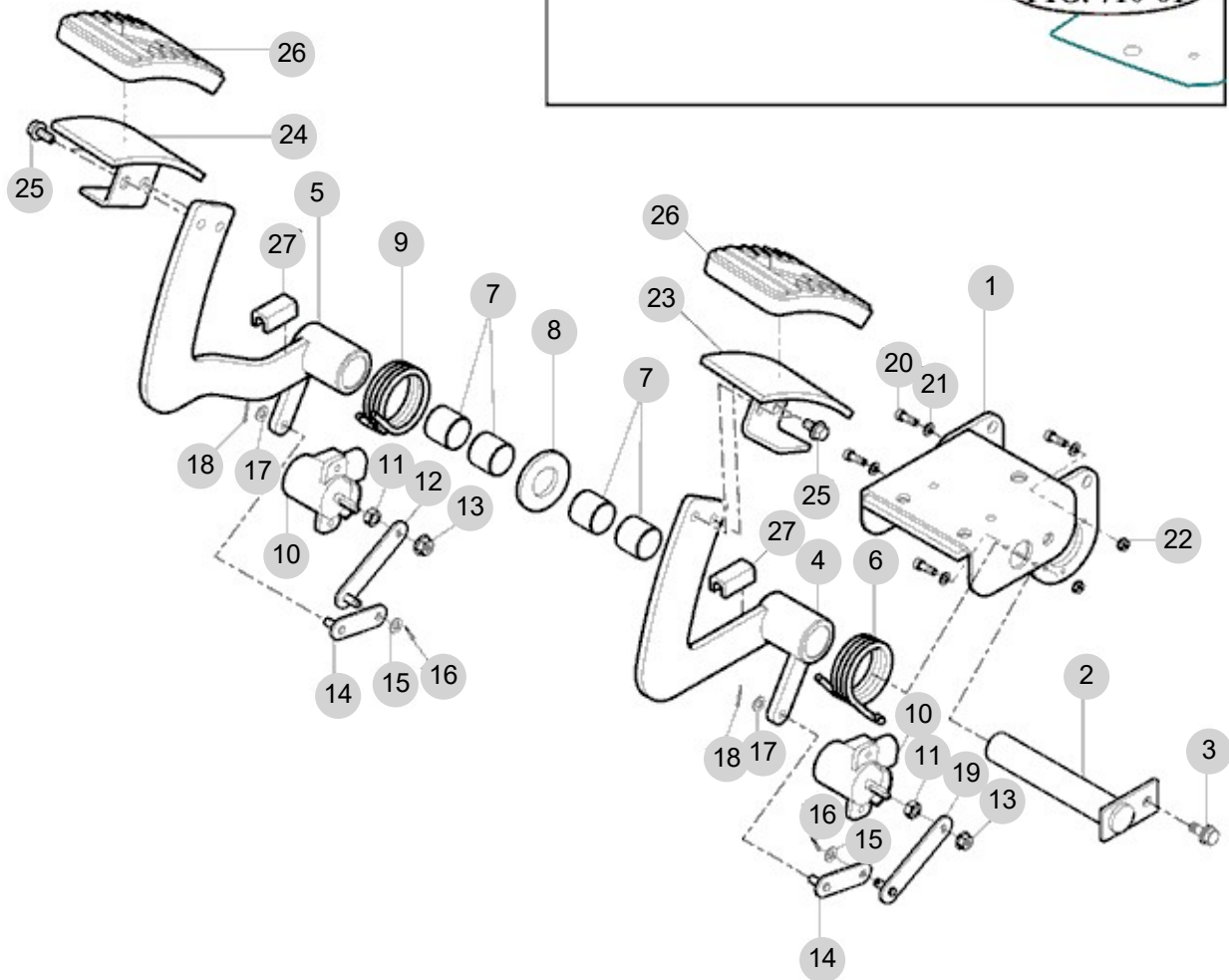
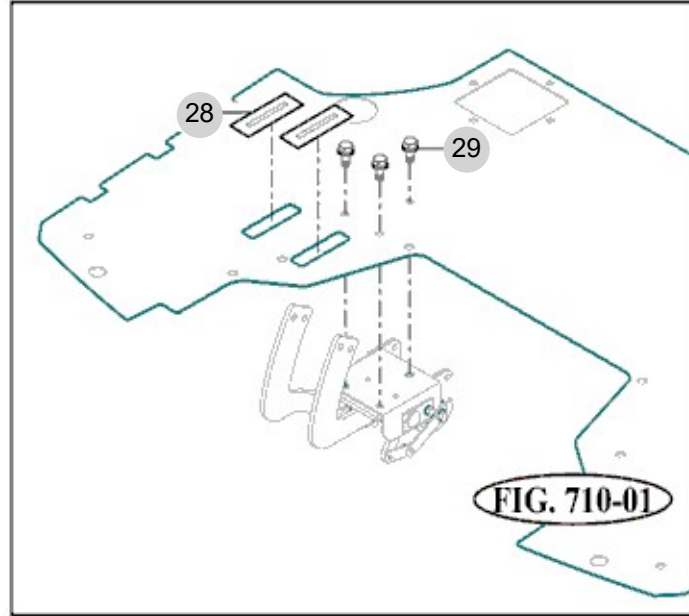
FIG 719

PEDAL SUB ASSY

년/월
Year/Month

2022-12

T454NH



NOTE

8. Electrical System PART NO. T8

FIG 801 BATTERY & MOUNTING	196
FIG 802 LIGHT & BACK LAMP	198
FIG 803 INSTRUMENT PANEL	200
FIG 804 ELECTRIC SYSTEM (1)	202
FIG 805B ELECTRIC SYSTEM (2)-NON CAB	204
FIG 806 INSTRUMENT PANEL	206

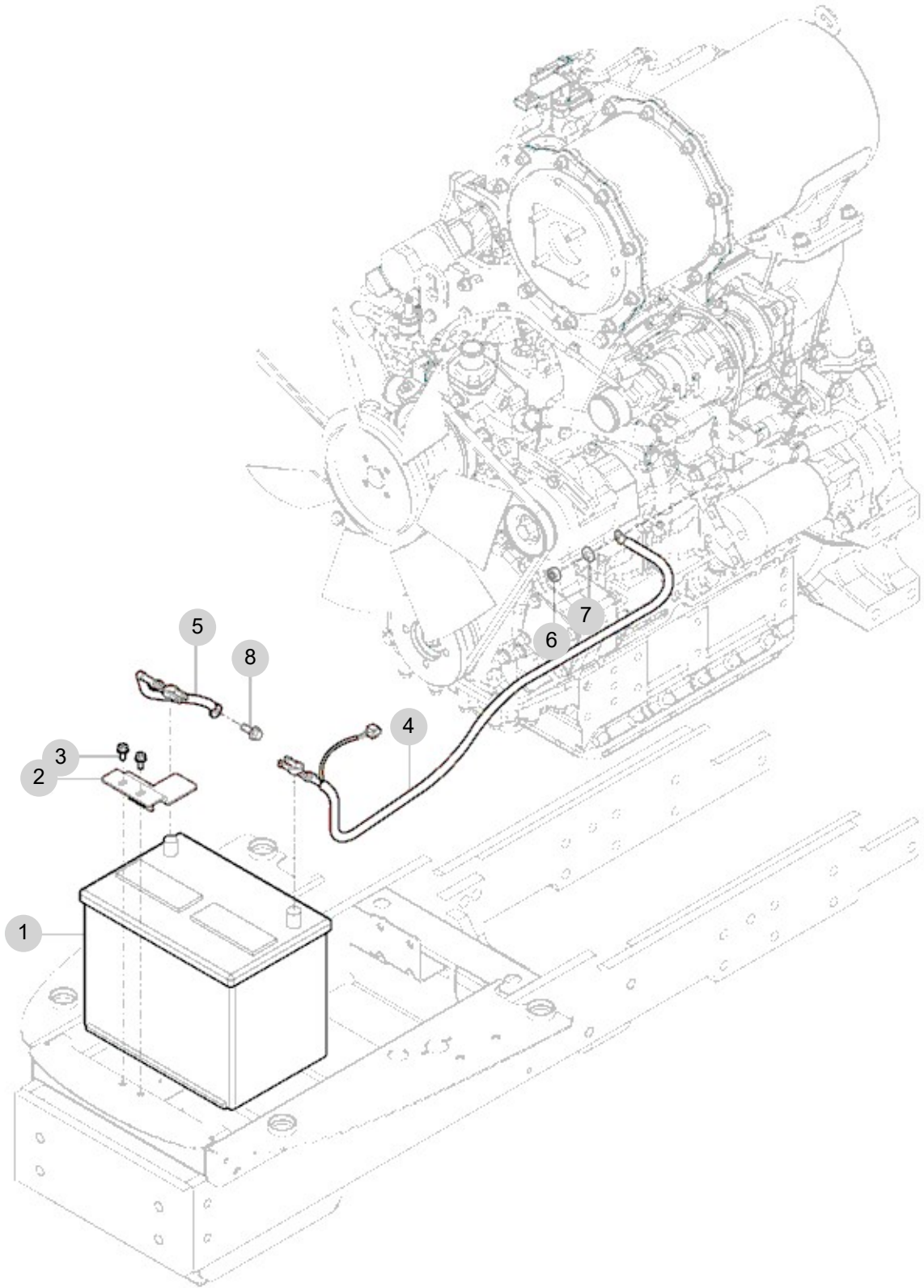
FIG 801

T454NH

BATTERY & MOUNTING

년/월
Year/Month

2022-12



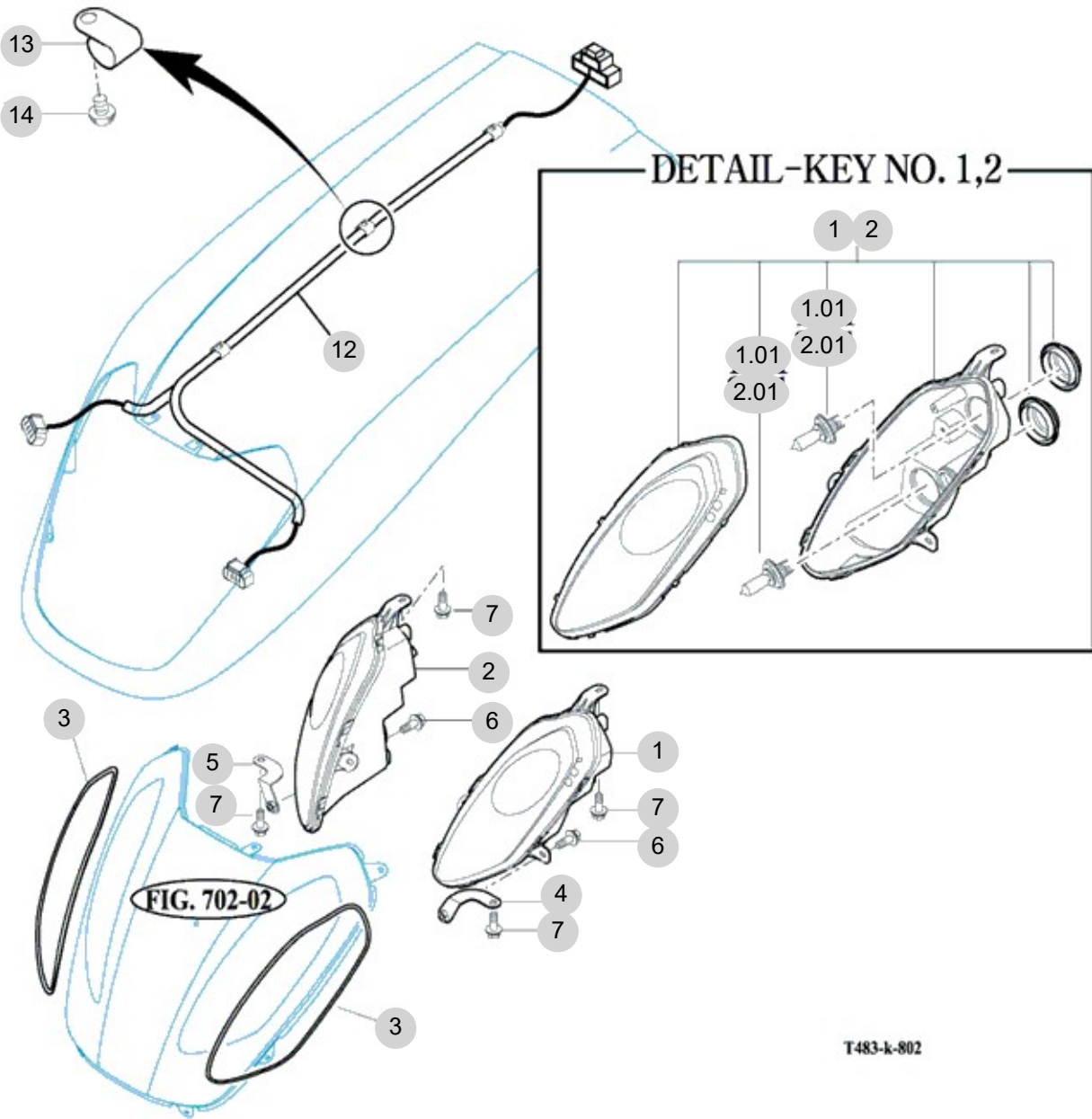
NOTE

FIG 802

LIGHT & BACK LAMP

년/월
Year/Month

2022-12



T483-k-802

NOTE

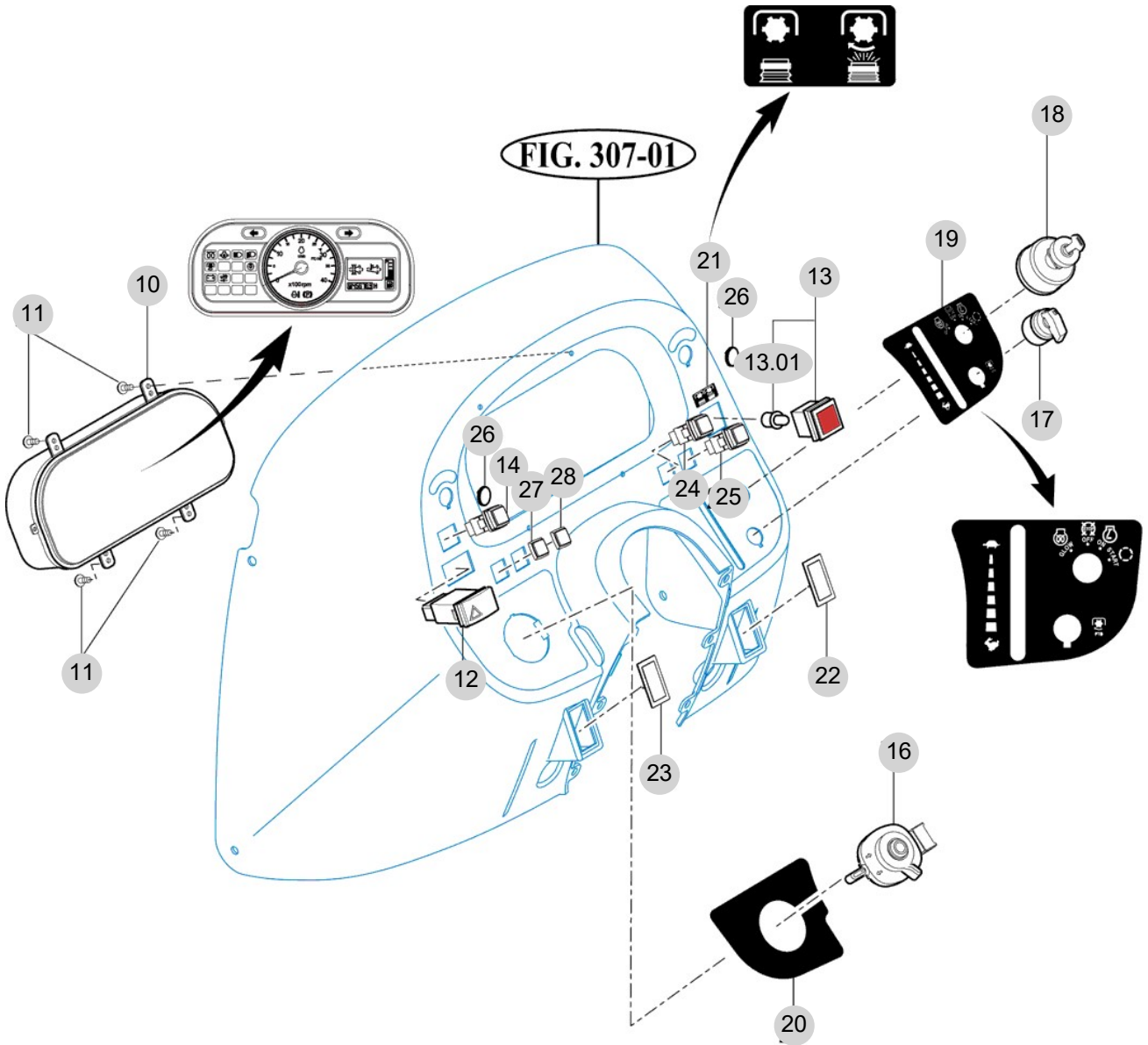
FIG 803

T454NH

INSTRUMENT PANEL

년/월
Year/Month

2022-12



NOTE

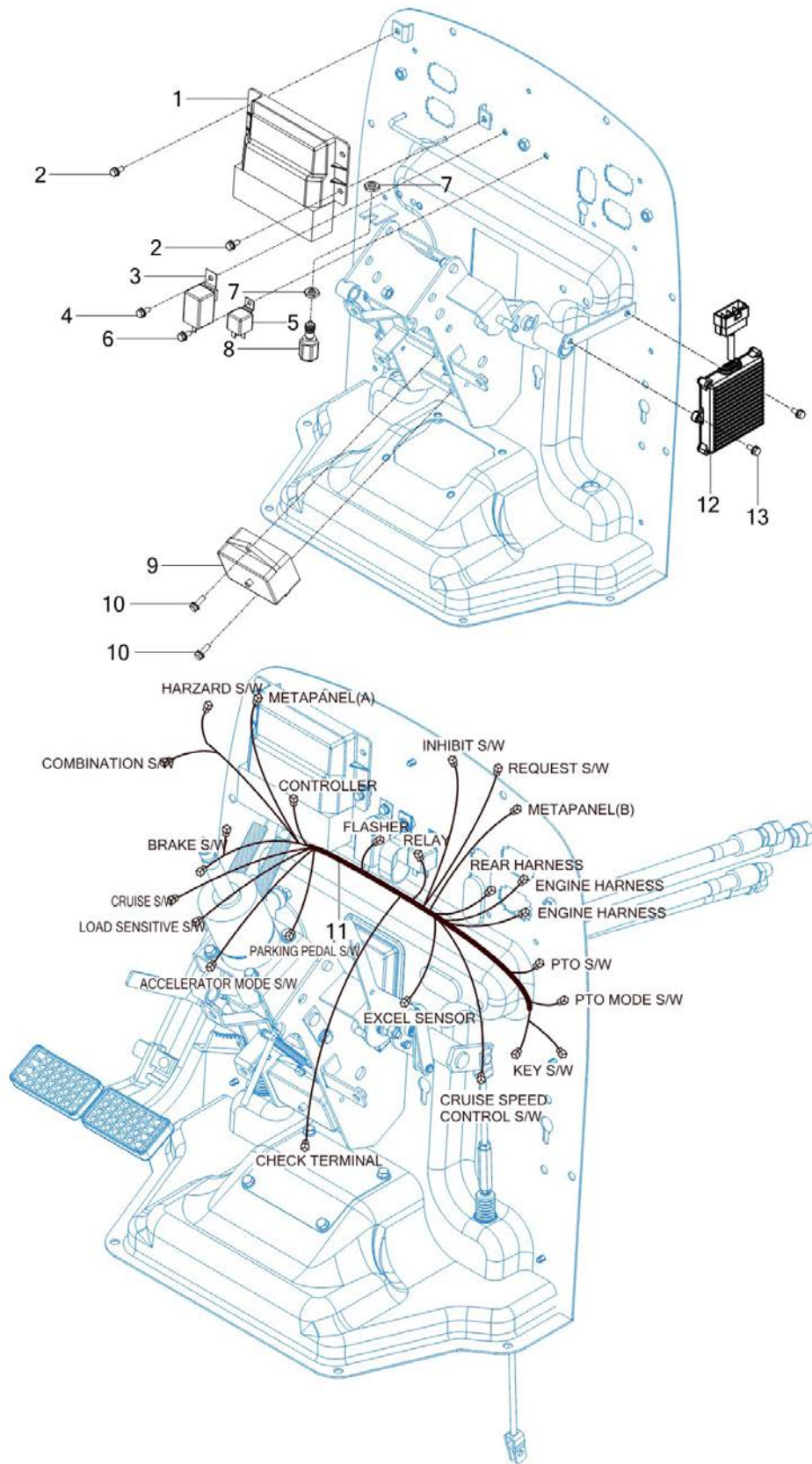
FIG 804

T454NH

ELECTRIC SYSTEM (1)

년/월
Year/Month

2022-12



NOTE

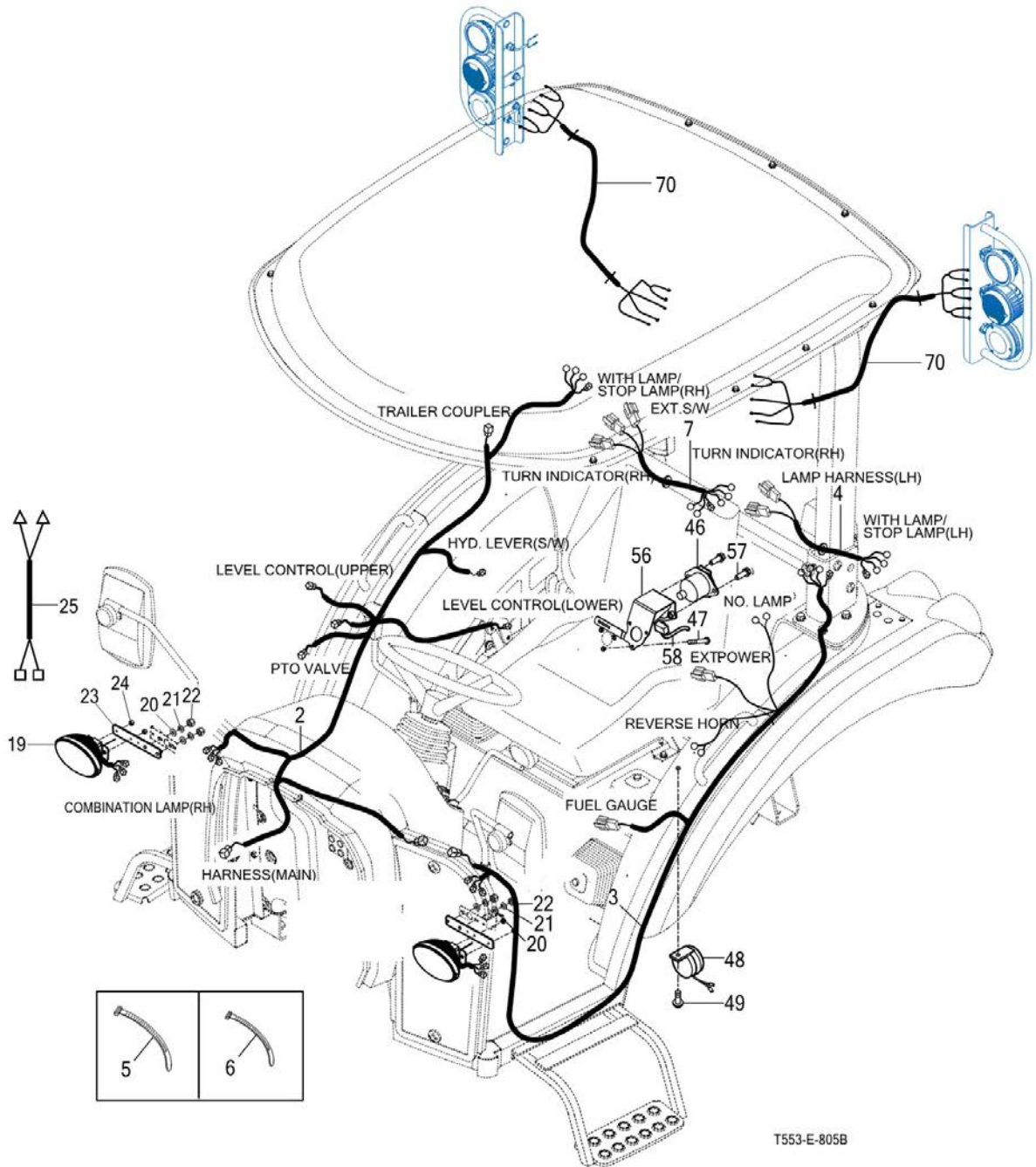
FIG 805B

ELECTRIC SYSTEM (2)-NON CAB

년/월
Year/Month

2022-12

T454NH



NOTE

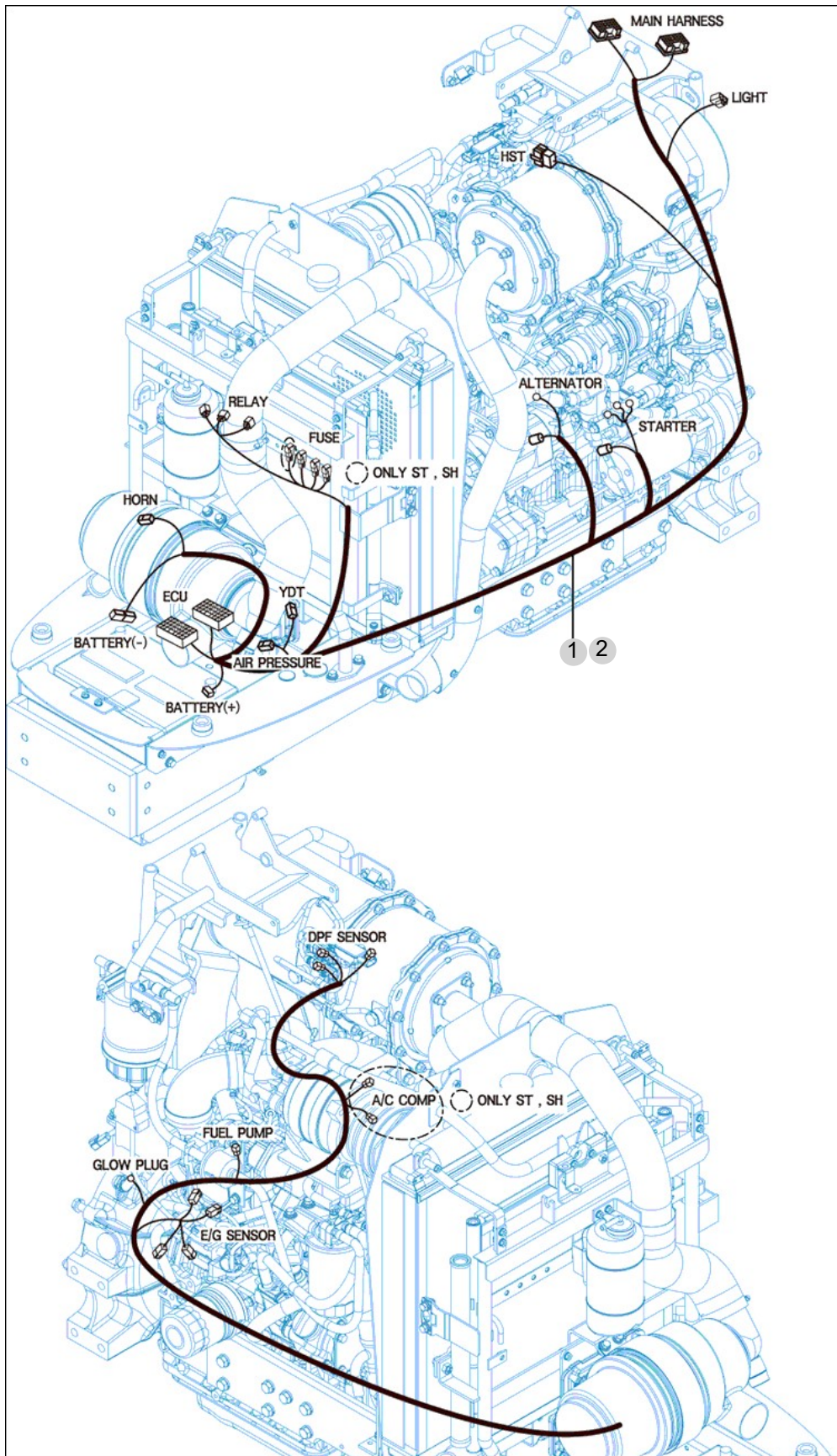
FIG 806

INSTRUMENT PANEL

년/월
Year/Month

T454NH

2022-12



NOTE

9. Label/Option PART NO. T9

FIG 901 TOOL & ACCESSORY	209
FIG 902A LABEL	211
FIG 902B LABEL	213

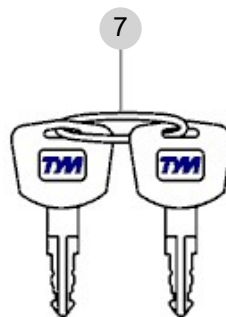
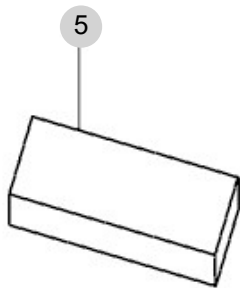
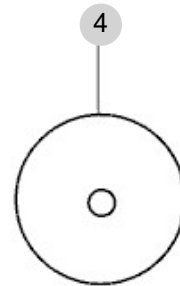
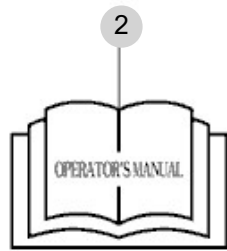
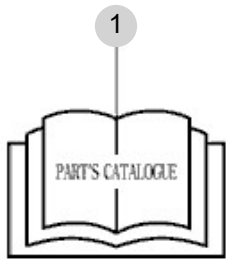
FIG 901

T454NH

TOOL & ACCESSORY

년/월
Year/Month

2022-12



T354/T454-E-001

NOTE

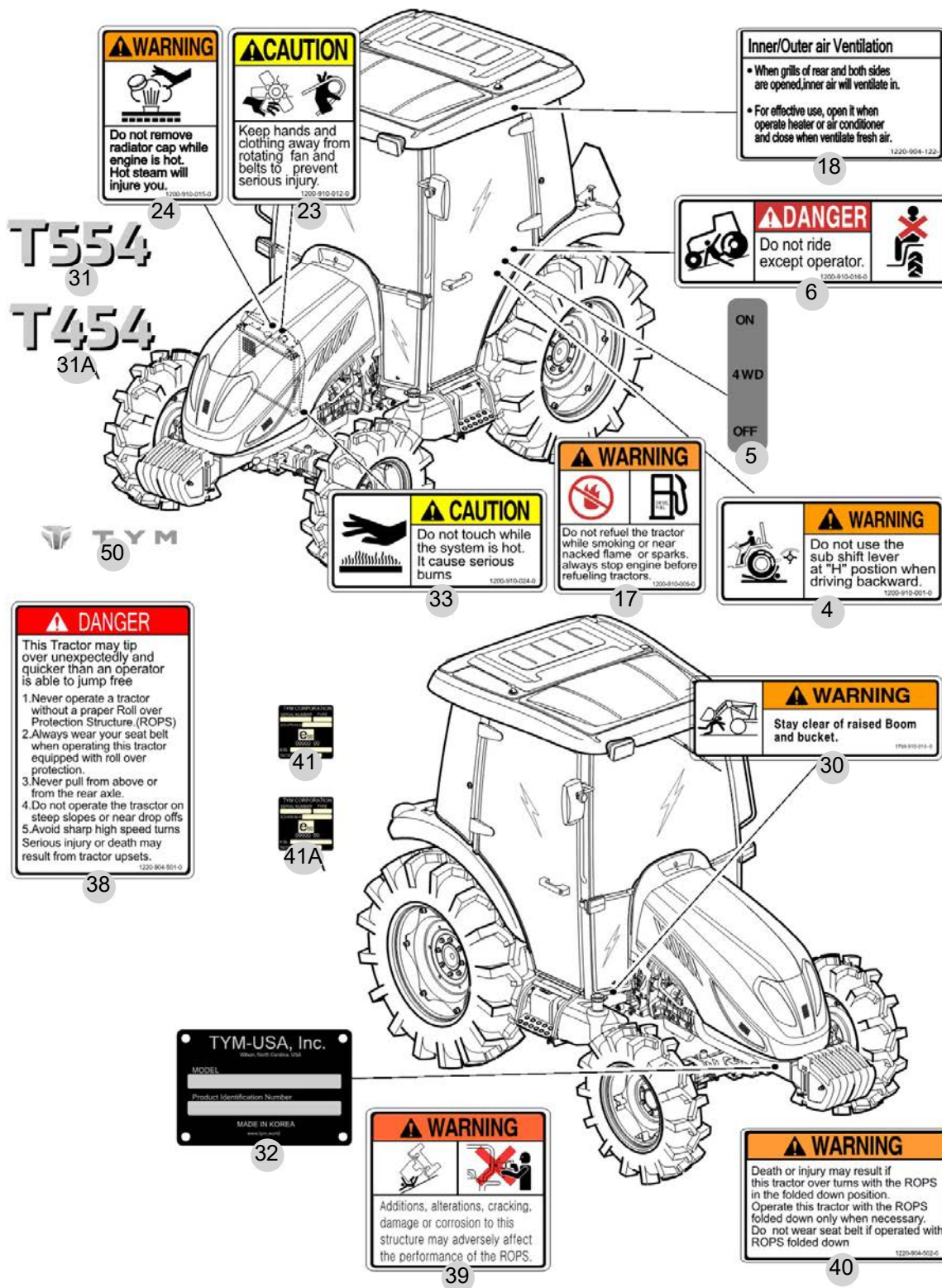
FIG 902A

LABEL

년/월
Year/Month

T454NH

2022-12



NOTE

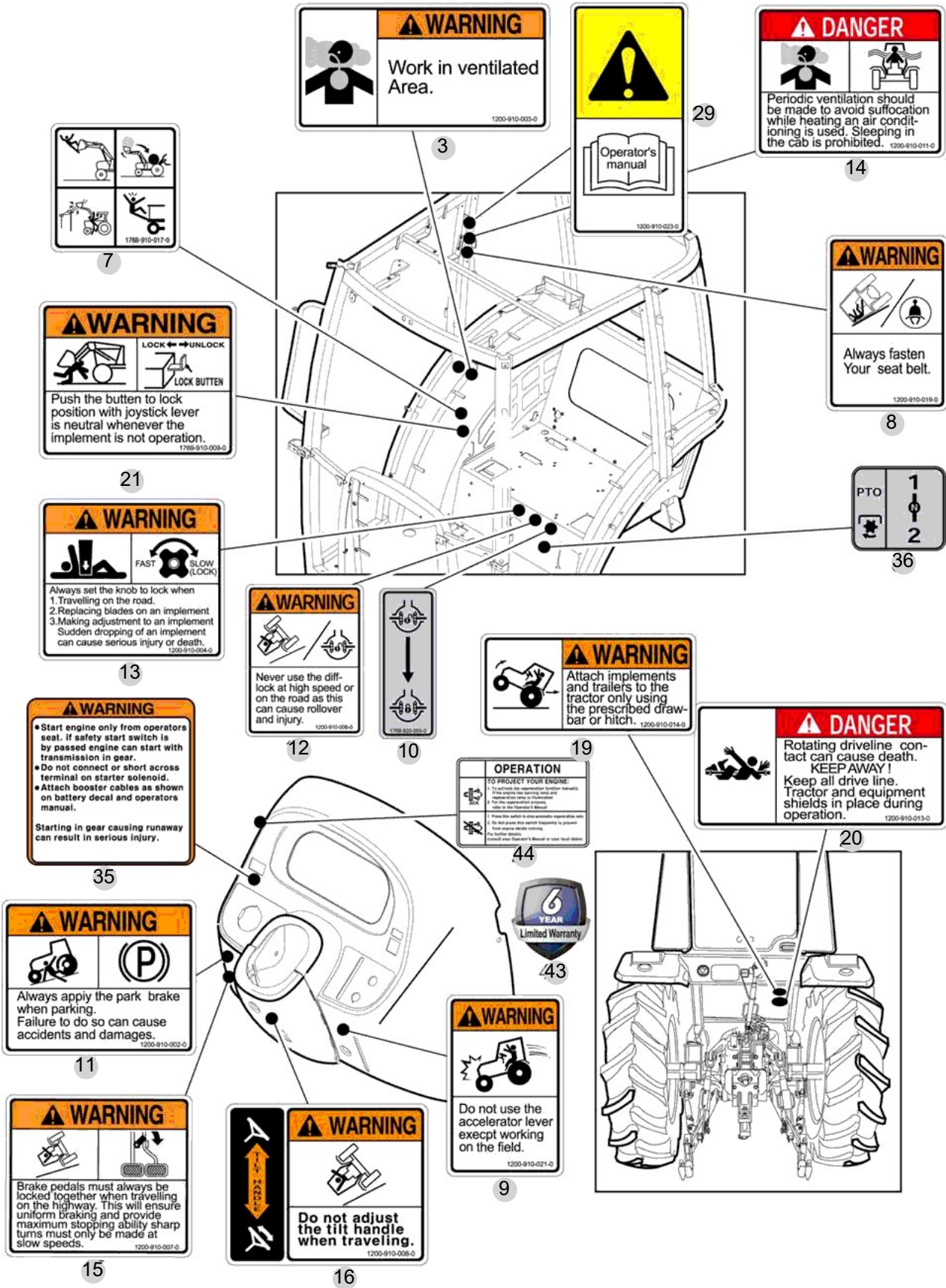
FIG 902B

LABEL

년/월
Year/Month

T454NH

2022-12



NOTE

