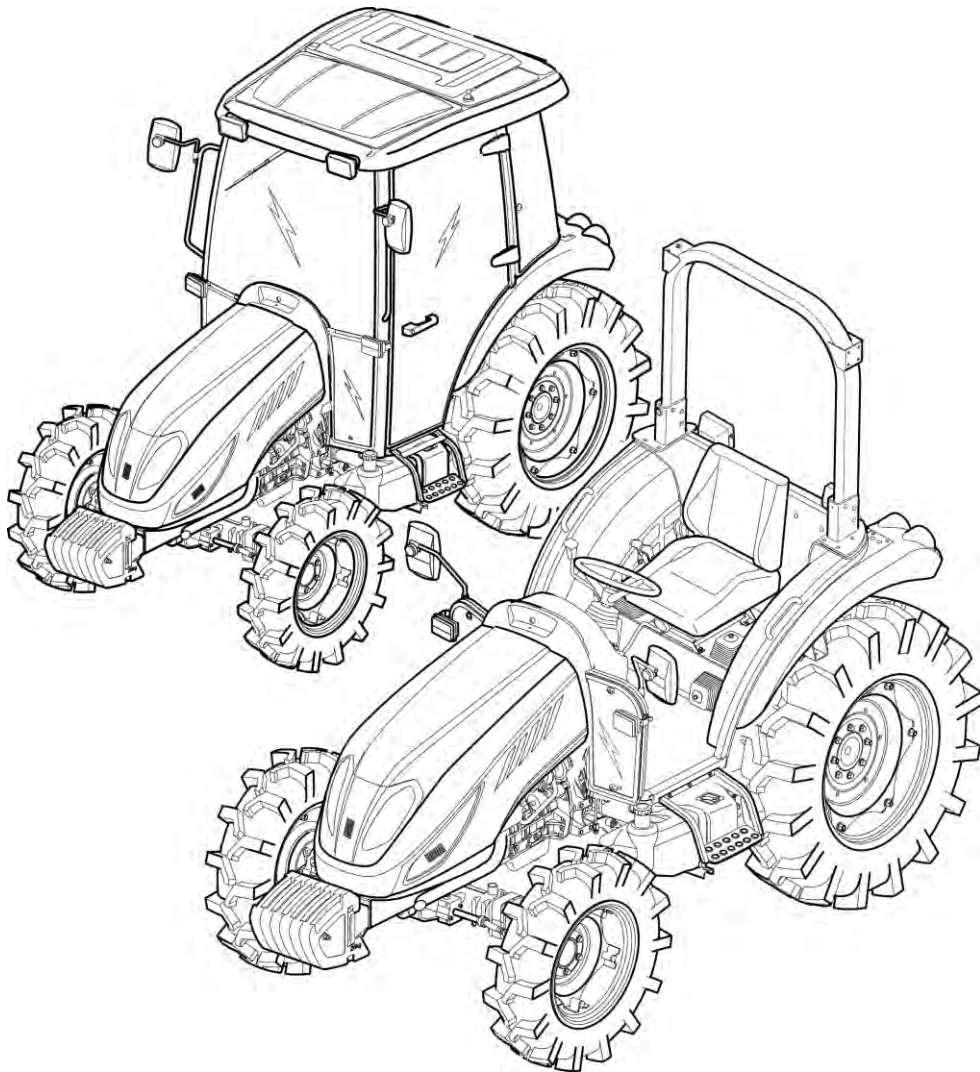


# Parts Catalogue

Model : T554NH/SH / T454NH



**TVM** 동양물산 기계사업부

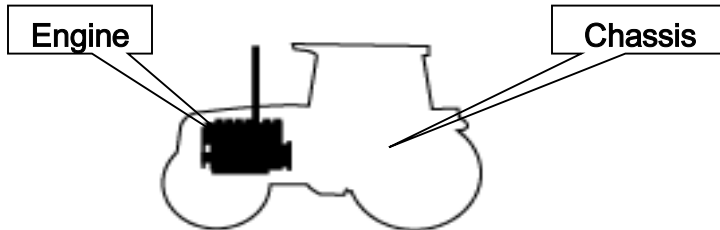
# Important tips of Parts Catalogue

We thank you for your purchasing our product, manufactured under strict quality control, by gathering plenty of experiences and new technology, designed for a comfort and pleasant work.

## 1. Part Composition

This catalogue deals with engine and chassis.

Detailed classifications are listed in the following page.



## 2. For locating parts easily, Please Note:

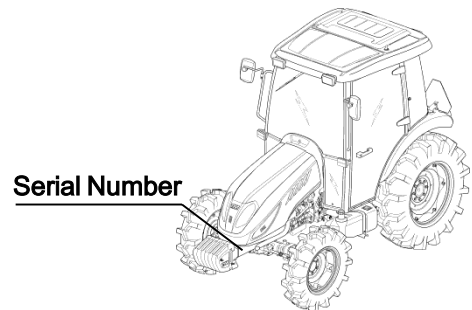
If you know the assembly where the part is used.

- Refer to the relevant figure from the identifying group symbol illustration,
- Locate the relevant chapter
- Refer to the particular chapter desired.

## 3. For ordering parts

To obtain spare parts please contact your nearest dealer and give him the details listed below.

- ① Tractor Model : Tractor T554
- ② Tractor Serial Number : H00001
- ③ Part Number : 17461039100
- ④ Description : AIR CLEANER ASSY
- ⑤ Quantity required: 1



## 4. For ordering PARTS CATALOGUE

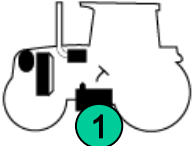
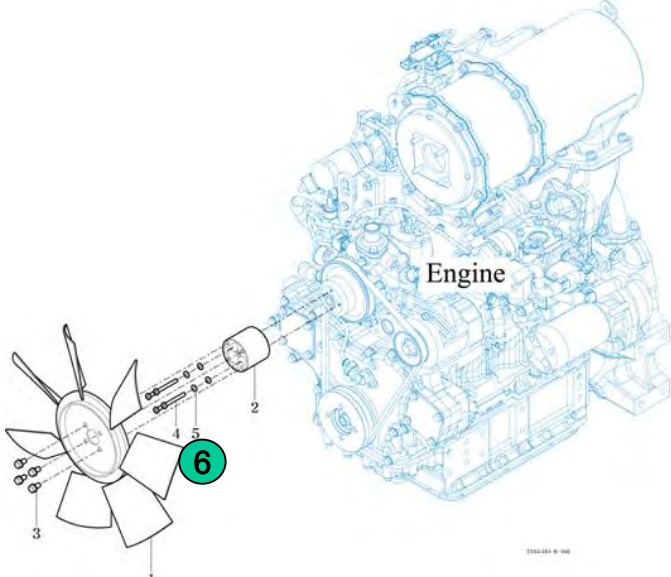
This is Priced item and one is to order the same on part No. 1748 950 001 0


This supersedes all our editions.

Note) When replacing parts, please use original spare parts to be sure of the performance and the longer life of the product

※ The information in this catalogue may at any time be modified without a prior notice for the improvement of performance, please consult our spare parts dept. for the detailed inquiry.

## 5. How to use parts catalogue

<b>FIG 208</b> <small>T554NH / 2 / T454NH</small>	<b>FAN , COOLING</b> <small>3</small>	P1 <small>4</small>	Year / Month <small>5</small> 2014 / 04	
				
NOTE	<small>13</small>			

<b>FIG 208</b> <small>2</small> <small>T554NH / T554SH / T454NH</small>	<b>FAN , COOLING</b> <small>3</small>	P1 <small>4</small>	Year / Month <small>5</small> 2014 / 04				
<b>KEY NO.</b>	<b>PART NO.</b>	<b>DESCRIPTION</b>	<b>SPEC.</b>	<b>QTY.</b> <small>T554NH T554SH T454NH</small>	<b>REPAIR</b>	<b>EFFECTIVE DATE</b>	<b>REMARKS</b>
208 001	19951030790	FAN , COOLING(412)		1 1 1			
208 002	17461000060	SPACER , FAN		1 1 1			
<small>6</small> 208 003	<small>7</small> V2173698016	BOLT , HEX/S <small>8</small>	M8X16 <small>9</small>	4 4 4 <small>10</small>	<small>11</small>	<small>12</small>	<small>14</small>
208 004	V205000050	BOLT , HEX O/R <small>8</small>	M8 <small>9</small>	4 4 4 <small>10</small>	<small>11</small>	<small>12</small>	<small>14</small>
208 005	V4011600060	WASHER , SPRING	M6 <small>9</small>	4 4 4 <small>10</small>			
NOTE	<small>13</small>						

① Group Indication : Indicate the relevant location of the part with a symbol illustration.

② Figure Number: Indicate the relevant section of the machine with a figure number.

③ Section Name : Indicate the section name of the machine

④ Section Page : Page number of the section in this catalogue.

⑤ Date : Show the Year/Month of the section made or updated

⑥ Key number : Indicating number of each parts in the illustration.

⑦ Part Number : Unique part number maintained in our system

The part number starting with V or M means it is TYM s standard part

The alphabet at the end of part number means the status of material or the color of paint

Legend : M:Machining, DG:Dark Gray, BR:Bright Red, SW:Summer White, PB:Pure Black, GB:Glossy Black, SR:Super Red, MS:Metallic Silver DD:Heat proof Black, TY: Tangerine Yellow etc.

⑧ Description : Description of a part, Abbreviation means as follows.

- Indicate the mixture condition of a part

ASSY : Assembly with a mixture of several parts, so can be broke up retaining their original form

COMP : Assembly with a mixture of several parts, but can not be broke up retaining their original form

SUB : mean the same as ASSY but used in lower level in aid.

SET : Part consist of ASSY, COMP, and part(s) as a group

- Indicate the location of a part

LH: Left, RH: Right, FR: Front, RR: Rear, UPR: Upper, LOW: Lower

⑨ Spec : Type of the standard items like bolt or nut

⑩ Quantity : Total quantity of the part referred to in the page.

Symbol below indicate options. So, show the quantity of each option.

Note) AR means as requested quantity.

⑪ Repair Parts consumption frequency class: indicate the level of a part in aid of stocking spares, anticipating the service requirements.

A :Fast moving part(frequently required)

B :Medium moving part (sometimes required)

C :Slow moving part(rarely required)

⑫ EFFECTIVE DATE :

Year/Month~ : From which the change starts

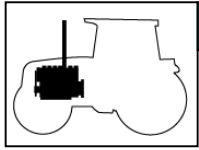
~ Year/Month : To which the part installed

⑬ Notes : explain some reference data

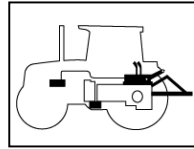
⑭ Remark : indicate reference data or abbreviation in the content.



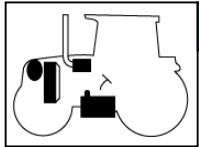
# ENGINEERING GROUP INDEX



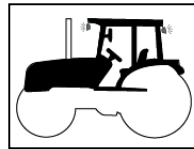
**1** ENGINE



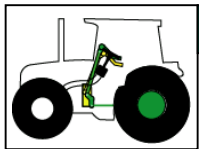
**6** HYDRAULICS & 3-POINT LINK



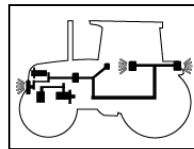
**2** ENGINE ACCESSORIES & CONTROL



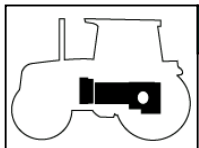
**7** SHEET METAL & CABIN



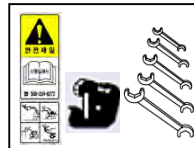
**3** CLUTCH, BRAKE, STEERING



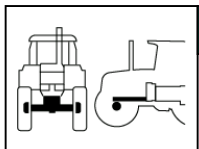
**8** ELECTRICALS & HARNESS



**4** TRANSMISSION & REAR AXLE



**9** LABEL, TOOLS



**5** FRONT AXLE, SUPPORTER & DRIVE SHAFT

067 020	12305180020
077 036	12403160020
036 005	13022250030
037 010	13022250131
041 005	13022250232
046 002	13022250333

**10** NUMERICAL INDEX

# CONTENTS

## ENGINE

### 1 ENGINE

FIG 101A CYLINDER BLOCK (T554)-----	04
FIG 101B CYLINDER BLOCK (T454)-----	06
FIG 102 GEAR HOUSING-----	08
FIG 103 FLYWHEEL HOUSING & OIL SUMP-----	10
FIG 104A CYLINDER HEAD & BONNET (T554)-----	12
FIG 104B CYLINDER HEAD & BONNET (T454)-----	16
FIG 105A SUCTION MANIFOLD (T554)-----	20
FIG 105B SUCTION MANIFOLD (T454)-----	22
FIG 106A EXHAUST MANIFOLD (T554)-----	24
FIG 106B EXHAUST MANIFOLD (T454)-----	26
FIG 107A DIESEL PARTICULATE FILTER (T554)-----	28
FIG 107B DIESEL PARTICULATE FILTER (T454)-----	30
FIG 108 CAMSHAFT & DRIVING GEAR-----	32
FIG 109 TURBINE (T554)-----	34
FIG 110A CRANKSHAFT & PISTON (T554)-----	36
FIG 110B CRANKSHAFT & PISTON (T454)-----	38
FIG 111 BALANCER-----	40
FIG 112A LUB. OIL SYSTEM (T554)-----	42
FIG 112B LUB. OIL SYSTEM (T454)-----	44
FIG 113 LUB. OIL LINE (T554)-----	46
FIG 114 COOLING WATER SYSTEM-----	48
FIG 115 FUEL SUPPLY PUMP-----	50
FIG 116A FUEL INJECTION VALVE (T554)-----	52
FIG 116B FUEL INJECTION VALVE (T454)-----	54
FIG 117 FUEL LINE-----	56
FIG 118 STARTING MOTOR-----	58
FIG 119 GENERATOR-----	60
FIG 120A ELECTRONIC CONTROL UNIT (T554)-----	62
FIG 120B ELECTRONIC CONTROL UNIT (T454)-----	64
FIG 121A ELECTRIC PARTS (T554)-----	66
FIG 121B ELECTRIC PARTS (T454)-----	68
FIG 122A ACCESSORY (T554)-----	70
FIG 122B ACCESSORY (T454)-----	72

# CHASSIS

## 2 ENGINE ACCESSORIES & CONTROL

FIG 201 AIR CLEANER-----	78
FIG 202 RADIATOR-----	80
FIG 203 MUFFLER-----	82
FIG 204 FUEL HOSE & FILTER-----	84
FIG 205 FUEL TANK-----	86
FIG 206 ACCELERATOR-----	88
FIG 207 OIL COOLER-----	90
FIG 208 FAN , COOLING-----	92

## 3 CLUTCH, BRAKE, STEERING

FIG 301 CLUTCH-----	98
FIG 302 CLUTCH PEDAL-----	100
FIG 303 BRAKE-----	102
FIG 304 BRAKE PEDAL & LINK-----	104
FIG 305A FRONT WHEEL-----	106
FIG 305B FRONT WHEEL (R4 OPTION)-----	108
FIG 306A REAR WHEEL-----	110
FIG 306B REAR WHEEL (R4 OPTION)-----	112
FIG 307 POWER STEERING WHEEL-----	114
FIG 308 POWER STEERING VALVE-----	116
FIG 309 POWER STEERING CYLINDER-----	118

## 4 TRANSMISSION & REAR AXLE

FIG 401 TRANSMISSION FRONT CASE-----	124
FIG 402 HST-----	126
FIG 403 MID TRANSMISSION CASE-----	128
FIG 404 TRANSTER GEAR SET-----	130
FIG 405 TRANSMISSION REAR CASE-----	132
FIG 406 SUB CHANGE GEARS-----	134

FIG 407 SUB CHANGE SHIFTER-----	136
FIG 408 DRIVE GEARS-----	138
FIG 409 4WD CHANGE LEVER-----	140
FIG 410 P.T.O DRIVE SHAFT-----	142
FIG 411 P.T.O CHANGE GEARS-----	144
FIG 412 REAR DIFFERENTIAL GEARS-----	146
FIG 413 REAR AXLE HOUSING-----	148

## **5 FRONT AXLE,SUPPORTER & DRIVE SHAFT**

FIG 501 FRONT AXLE SUPPORT-----	154
FIG 502 FRONT DRIVE SHAFT-----	156
FIG 503 FRONT AXLE HOUSING-----	158
FIG 504 FRONT DIFFERENTIAL GEARS-----	160
FIG 505 FRONT GEAR CASE (1)-----	162
FIG 506 FRONT GEAR CASE (2)-----	164
FIG 507 FRONT GEAR CASE (3)-----	166

## **6 HYDRAULICS & 3P-LINK**

FIG 601 CYLINDER CASE-----	172
FIG 602 LIFT ARM-----	174
FIG 603 CYLINDER-----	176
FIG 604 POSITION LINK-----	178
FIG 605 CONTROL VALVE-----	180
FIG 606 DRAFT LINK-----	182
FIG 607 POSITION & DRAFT LEVER-----	184
FIG 608 EXTERIOR HYD. VALVE-----	186
FIG 609 HYDRAULIC PIPE-----	188
FIG 610 JOYSTICK-----	190
FIG 611 HYDRAULIC HOSE-----	192
FIG 612 HITCH & 3-POINT LINK-----	194
FIG 613 LOWER LINK & LIFT ROD-----	198

**7****SHEET METAL & CABIN**

FIG 701 HOOD (1)-----	204
FIG 702 HOOD (2)-----	206
FIG 704A LEVER COVER & STEP-----	208
FIG 704B LEVER COVER & STEP-Non CAB-----	210
FIG 705 FRONT & REAR MOUNTING-----	212
FIG 706 SEAT & MAT-----	214
FIG 709 DOOR-----	216
FIG 710A FRONT GLASS-----	220
FIG 710B FRAME & 2POLES-ROPS-Non CAB-----	222
FIG 711 SIDE GLASS-----	224
FIG 712 REAR GLASS-----	226
FIG 713A SUB FENDER&COVER-----	228
FIG 713B SUB FENDER&COVER-Non CAB-----	230
FIG 714A MIRROR-----	232
FIG 714B MIRROR&WORKING LAMP-Non CAB-----	234
FIG 715A HEATER & AIR-CON-----	236
FIG 715B HEATER & AIR-CON-----	238
FIG 716 FENDER COVER-----	240
FIG 717 ROOF-----	242
FIG 718 CABIN INTERIOR-----	244
FIG 719 PEDAL SUB ASSY-----	246

**8****ELECTRICALS & HARNESS**

FIG 801 BATTERY & MOUNTING-----	252
FIG 802 LIGHT & BACK LAMP-----	254
FIG 803 INSTRUMENT PANEL-----	256
FIG 804 ELECTRIC SYSTEM (1)-----	258
FIG 805A ELECTRIC SYSTEM (2)-----	260
FIG 805B ELECTRIC SYSTEM (2)-Non CAB-----	262
FIG 806 ELECTRIC SYSTEM (3)-----	264

**9 LABEL& TOOLS**

FIG 901 TOOL & ACCESSORY-----270  
FIG 902 LABEL-----272

**10 NUMERICAL INDEX**

ENGINE-----279  
CHASSIS-----285



# ENGINE

## 1 ENGINE

FIG 101A CYLINDER BLOCK (T554)-----	04
FIG 101B CYLINDER BLOCK (T454)-----	06
FIG 102 GEAR HOUSING-----	08
FIG 103 FLYWHEEL HOUSING & OIL SUMP-----	10
FIG 104A CYLINDER HEAD & BONNET (T554)-----	12
FIG 104B CYLINDER HEAD & BONNET (T454)-----	16
FIG 105A SUCTION MANIFOLD (T554)-----	20
FIG 105B SUCTION MANIFOLD (T454)-----	22
FIG 106A EXHAUST MANIFOLD (T554)-----	24
FIG 106B EXHAUST MANIFOLD (T454)-----	26
FIG 107A DIESEL PARTICULATE FILTER (T554)-----	28
FIG 107B DIESEL PARTICULATE FILTER (T454)-----	30
FIG 108 CAMSHAFT & DRIVING GEAR-----	32
FIG 109 TURBINE (T554)-----	34
FIG 110A CRANKSHAFT & PISTON (T554)-----	36
FIG 110B CRANKSHAFT & PISTON (T454)-----	38
FIG 111 BALANCER-----	40
FIG 112A LUB. OIL SYSTEM (T554)-----	42
FIG 112B LUB. OIL SYSTEM (T454)-----	44
FIG 113 LUB. OIL LINE (T554)-----	46
FIG 114 COOLING WATER SYSTEM-----	48
FIG 115 FUEL SUPPLY PUMP-----	50
FIG 116A FUEL INJECTION VALVE (T554)-----	52
FIG 116B FUEL INJECTION VALVE (T454)-----	54
FIG 117 FUEL LINE-----	56
FIG 118 STARTING MOTOR-----	58
FIG 119 GENERATOR-----	60
FIG 120A ELECTRONIC CONTROL UNIT (T554)-----	62
FIG 120B ELECTRONIC CONTROL UNIT (T454)-----	64
FIG 121A ELECTRIC PARTS (T554)-----	66
FIG 121B ELECTRIC PARTS (T454)-----	68
FIG 122A ACCESSORY (T554)-----	70
FIG 122B ACCESSORY (T454)-----	72

# CHASSIS

## 2 ENGINE ACCESSORIES & CONTROL

FIG 201 AIR CLEANER-----	78
FIG 202 RADIATOR-----	80
FIG 203 MUFFLER-----	82
FIG 204 FUEL HOSE & FILTER-----	84
FIG 205 FUEL TANK-----	86
FIG 206 ACCELERATOR-----	88
FIG 207 OIL COOLER-----	90
FIG 208 FAN , COOLING-----	92

### **3** CLUTCH, BRAKE, STEERING

FIG 301 CLUTCH-----	98
FIG 302 CLUTCH PEDAL-----	100
FIG 303 BRAKE-----	102
FIG 304 BRAKE PEDAL & LINK-----	104
FIG 305A FRONT WHEEL-----	106
FIG 305B FRONT WHEEL (R4 OPTION)-----	108
FIG 306A REAR WHEEL-----	110
FIG 306B REAR WHEEL (R4 OPTION)-----	112
FIG 307 POWER STEERING WHEEL-----	114
FIG 308 POWER STEERING VALVE-----	116
FIG 309 POWER STEERING CYLINDER-----	118

**4****TRANSMISSION & REAR AXLE**

FIG 401 TRANSMISSION FRONT CASE-----	124
FIG 402 HST-----	126
FIG 403 MID TRANSMISSION CASE-----	128
FIG 404 TRANSFER GEAR SET-----	130
FIG 405 TRANSMISSION REAR CASE-----	132
FIG 406 SUB CHANGE GEARS-----	134
FIG 407 SUB CHANGE SHIFTER-----	136
FIG 408 DRIVE GEARS-----	138
FIG 409 4WD CHANGE LEVER-----	140
FIG 410 P.T.O DRIVE SHAFT-----	142
FIG 411 P.T.O CHANGE GEARS-----	144
FIG 412 REAR DIFFERENTIAL GEARS-----	146
FIG 413 REAR AXLE HOUSING-----	148

**5****FRONT AXLE,SUPPORTER & DRIVE  
SHAFT**

FIG 501 FRONT AXLE SUPPORT-----	154
FIG 502 FRONT DRIVE SHAFT-----	156
FIG 503 FRONT AXLE HOUSING-----	158
FIG 504 FRONT DIFFERENTIAL GEARS-----	160
FIG 505 FRONT GEAR CASE (1)-----	162
FIG 506 FRONT GEAR CASE (2)-----	164
FIG 507 FRONT GEAR CASE (3)-----	166

## **6** HYDRAULICS & 3P-LINK

FIG 601 CYLINDER CASE-----	172
FIG 602 LIFT ARM-----	174
FIG 603 CYLINDER-----	176
FIG 604 POSITION LINK-----	178
FIG 605 CONTROL VALVE-----	180
FIG 606 DRAFT LINK-----	182
FIG 607 POSITION & DRAFT LEVER-----	184
FIG 608 EXTERIOR HYD. VALVE-----	186
FIG 609 HYDRAULIC PIPE-----	188
FIG 610 JOYSTICK-----	190
FIG 611 HYDRAULIC HOSE-----	192
FIG 612 HITCH & 3-POINT LINK-----	194
FIG 613 LOWER LINK & LIFT ROD-----	198



**7****SHEET METAL & CABIN**

FIG 701 HOOD (1)-----	204
FIG 702 HOOD (2)-----	206
FIG 704A LEVER COVER & STEP-----	208
FIG 704B LEVER COVER & STEP-Non CAB-----	210
FIG 705 FRONT & REAR MOUNTING-----	212
FIG 706 SEAT & MAT-----	214
FIG 709 DOOR-----	216
FIG 710A FRONT GLASS-----	220
FIG 710B FRAME & 2POLES-ROPS-Non CAB-----	222
FIG 711 SIDE GLASS-----	224
FIG 712 REAR GLASS-----	226
FIG 713A SUB FENDER&COVER-----	228
FIG 713B SUB FENDER&COVER-Non CAB-----	230
FIG 714A MIRROR-----	232
FIG 714B MIRROR&WORKING LAMP-Non CAB-----	234
FIG 715A HEATER & AIR-CON-----	236
FIG 715B HEATER & AIR-CON-----	238
FIG 716 FENDER COVER-----	240
FIG 717 ROOF-----	242
FIG 718 CABIN INTERIOR-----	244
FIG 719 PEDAL SUB ASSY-----	246

**8****ELECTRICALS & HARNESS**

FIG 801 BATTERY & MOUNTING-----	252
FIG 802 LIGHT & BACK LAMP-----	254
FIG 803 INSTRUMENT PANEL-----	256
FIG 804 ELECTRIC SYSTEM (1)-----	258
FIG 805A ELECTRIC SYSTEM (2)-----	260
FIG 805B ELECTRIC SYSTEM (2)-Non CAB-----	262
FIG 804 ELECTRIC SYSTEM (3)-----	264

**9** LABEL& TOOLS

FIG 901 TOOL & ACCESSORY-----270  
FIG 902 LABEL-----272

**10** NUMERICAL INDEX

ENGINE	-----	279
CHASSIS	-----	285

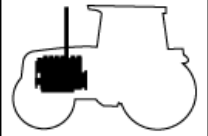
FIG 101A

CYLINDER BLOCK (T554)

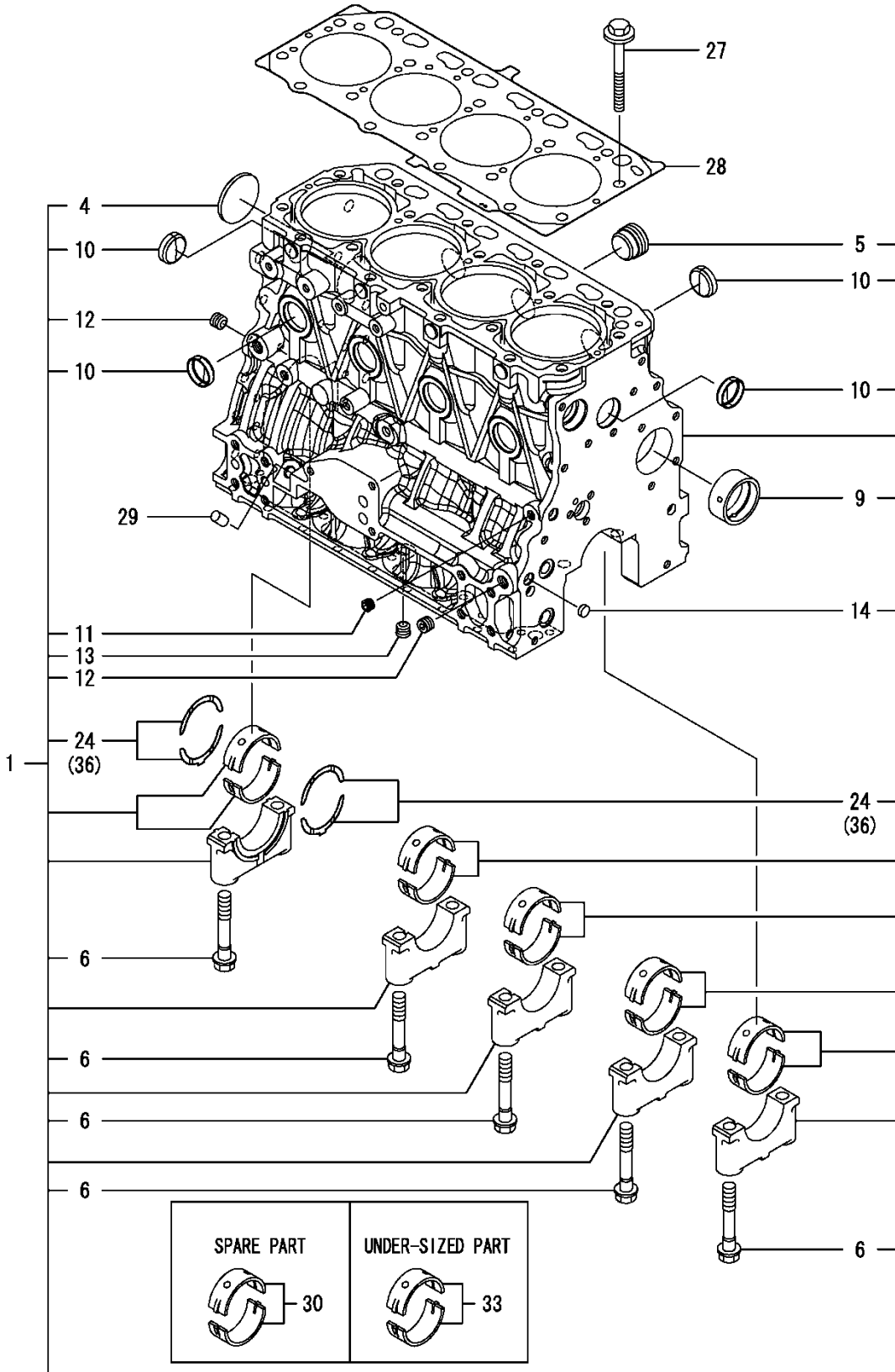
P1

Year / Month

2014 / 04



T554ST/NC/NH/SH / T454ST/NC/NH



NOTE

FIG 101B

CYLINDER BLOCK (T454)

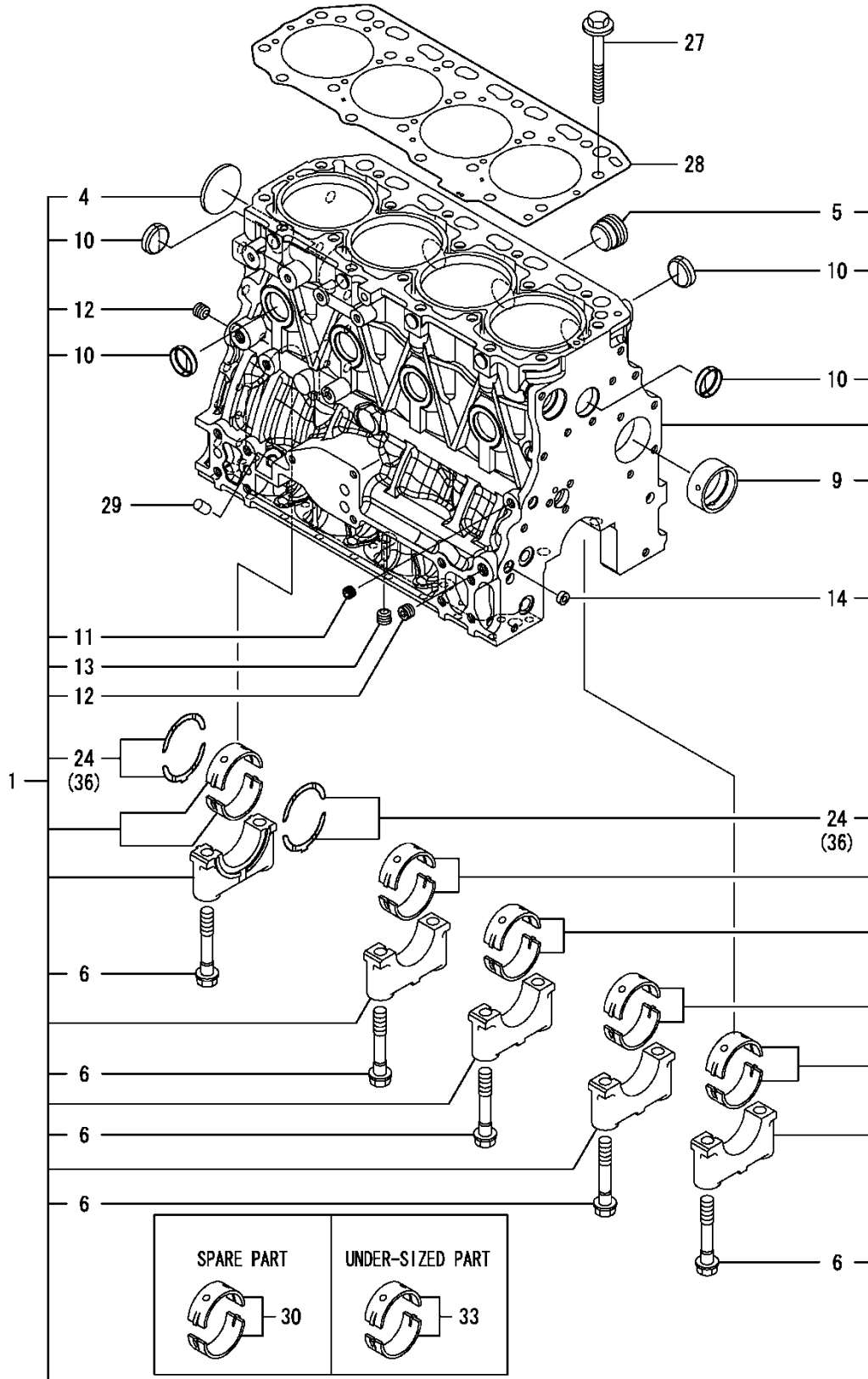
P1

Year / Month

2014 / 04



T554ST/NC/NH/SH / T454ST/NC/NH



NOTE



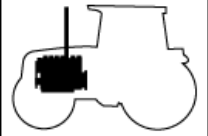
# FIG 102

# GEAR HOUSING

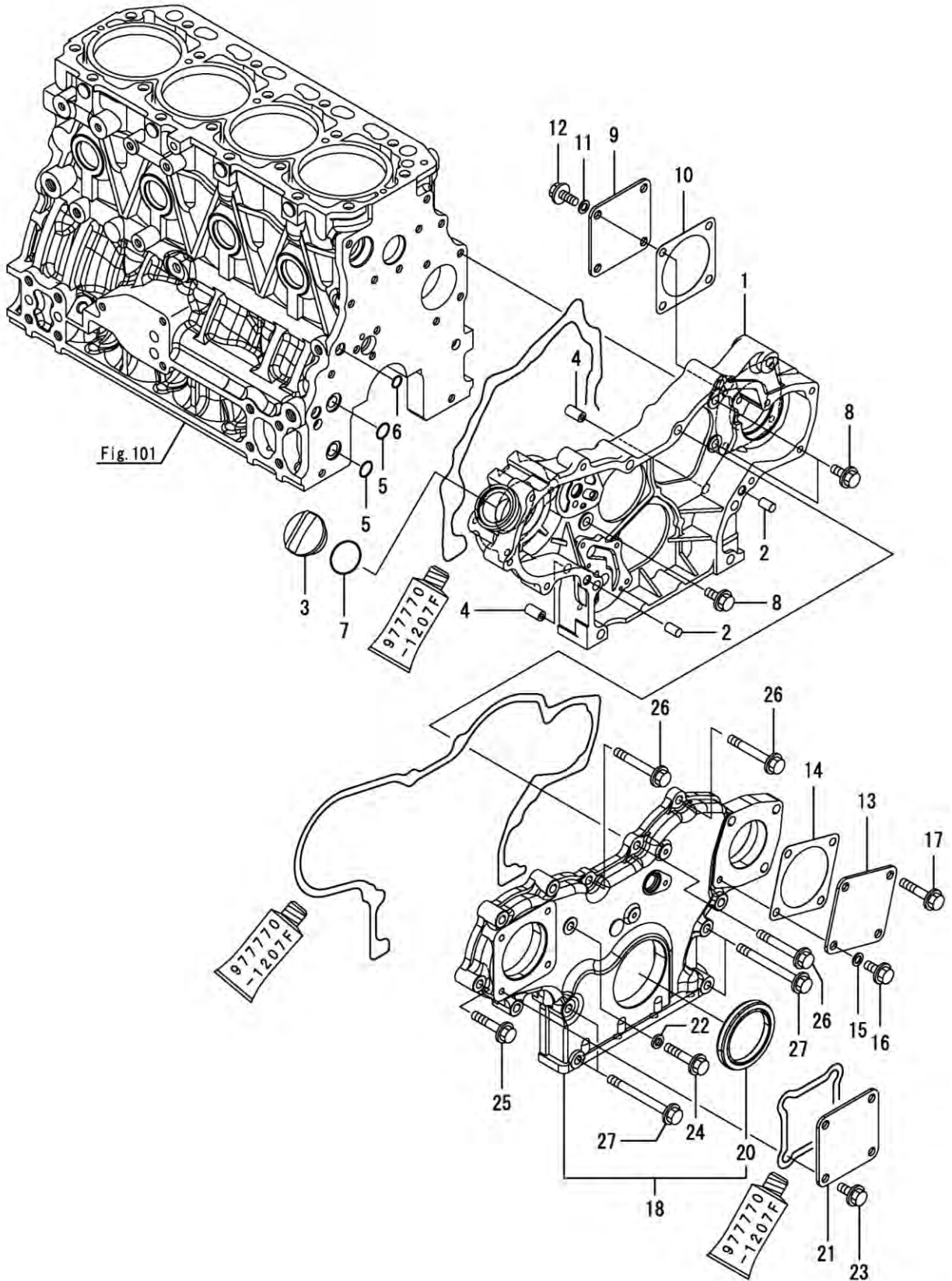
P1

Year / Month

2014 / 04



T554ST/NC/NH/SH / T454ST/NC/NH



NOTE

# FIG 103

# FLYWHEEL HOUSING & OIL SUMP

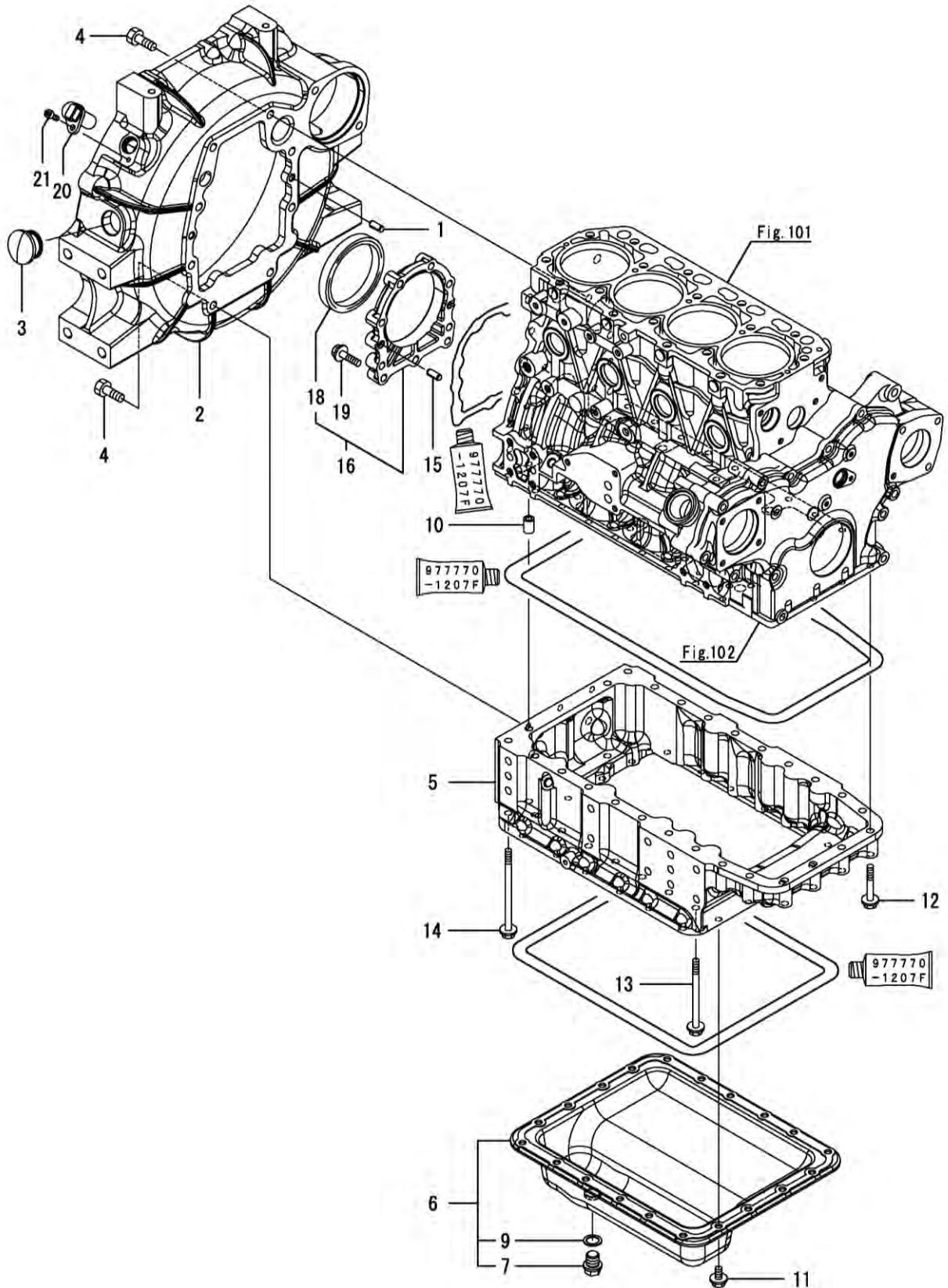
P1

Year / Month

2014 / 04



T554ST/NC/NH/SH / T454ST/NC/NH



NOTE





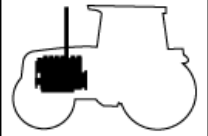
# FIG 104B

# CYLINDER HEAD & BONNET (T454)

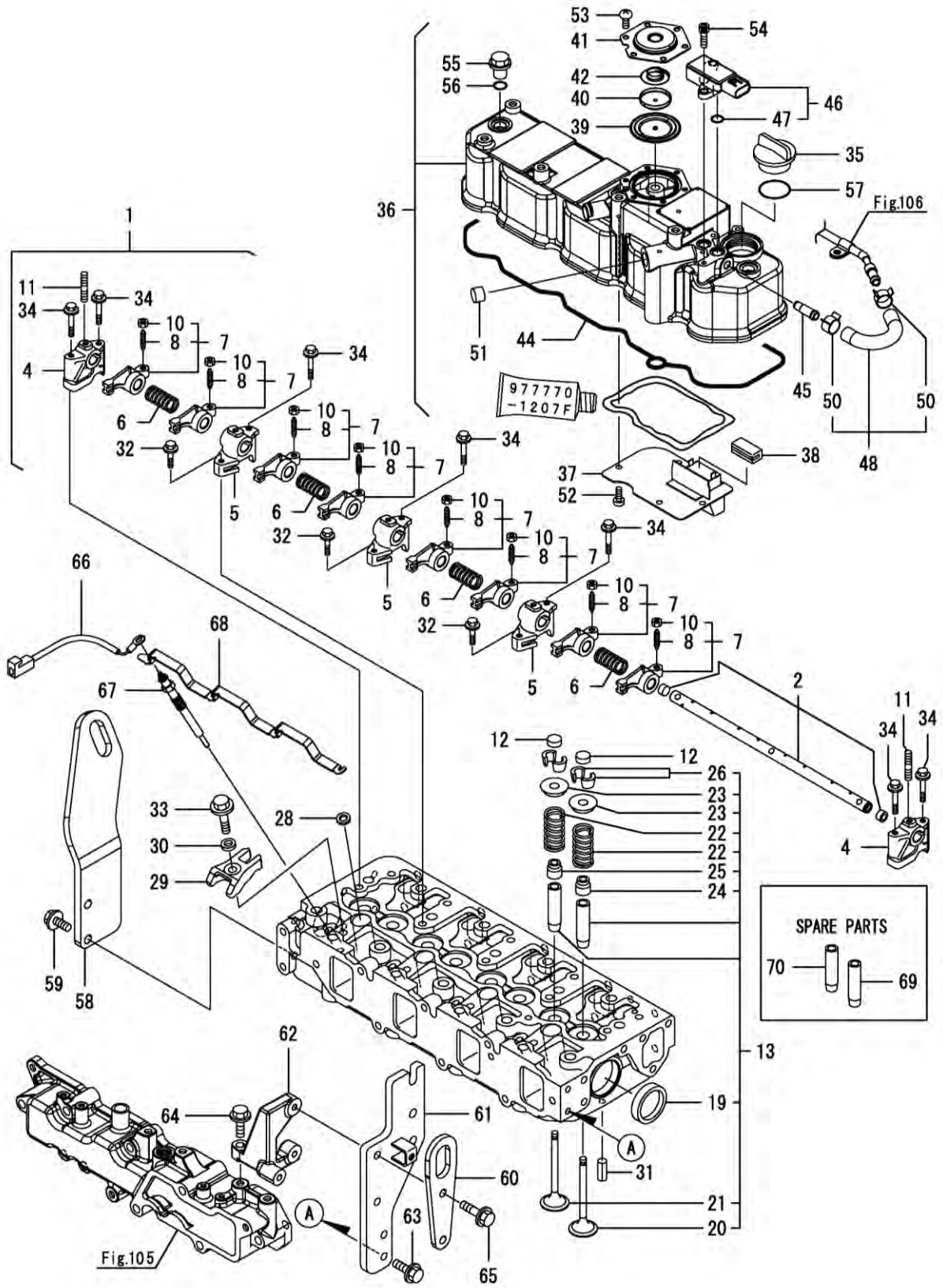
P1

Year / Month

2014 / 04



T554ST/NC/NH/SH / T454ST/NC/NH



NOTE

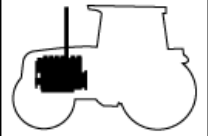
# FIG 104B

# CYLINDER HEAD & BONNET (T454)

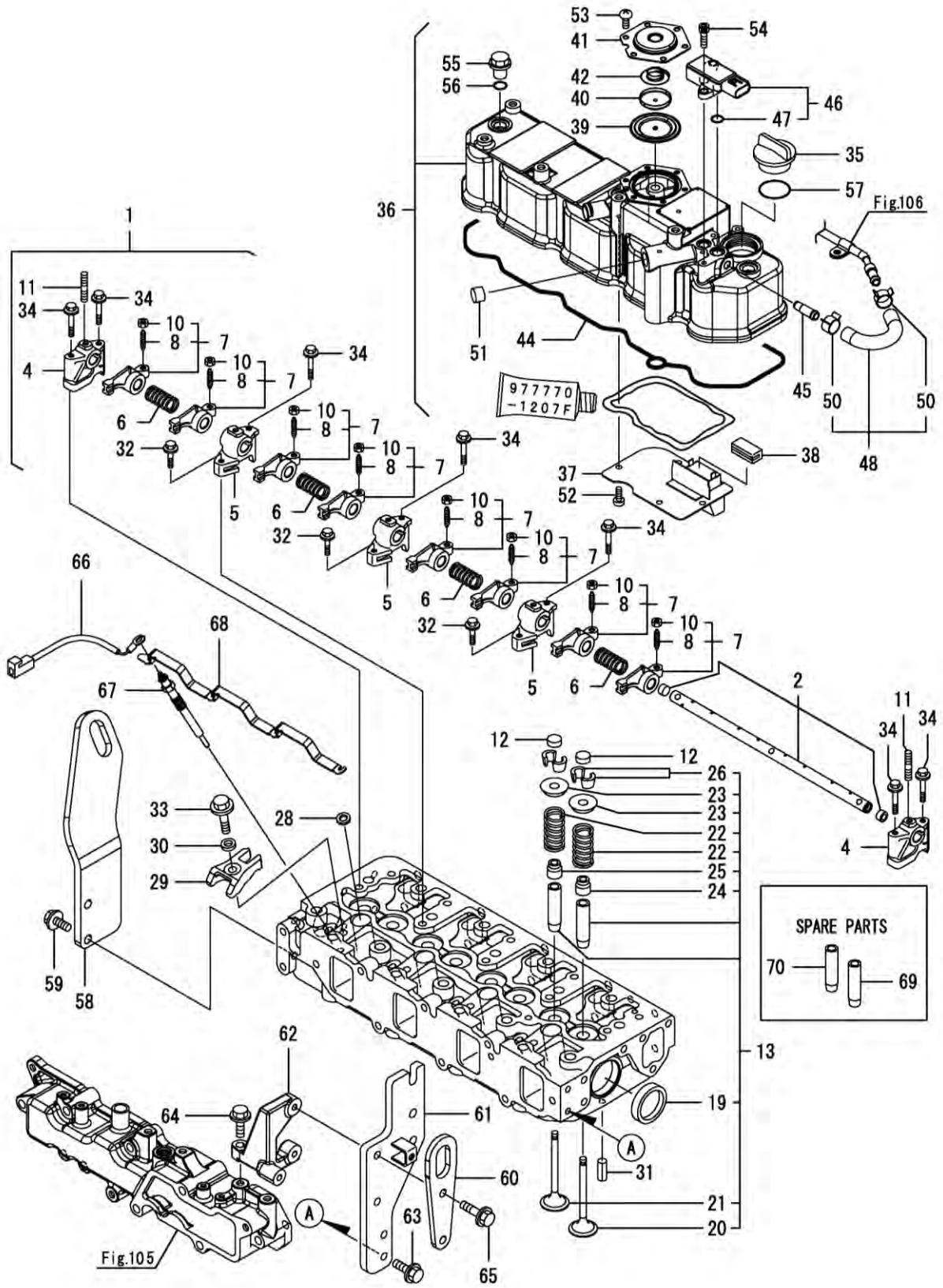
P2

Year / Month

2014 / 04



T554ST/NC/NH/SH / T454ST/NC/NH



NOTE



FIG 105A

SUCTION MANIFOLD (T554)

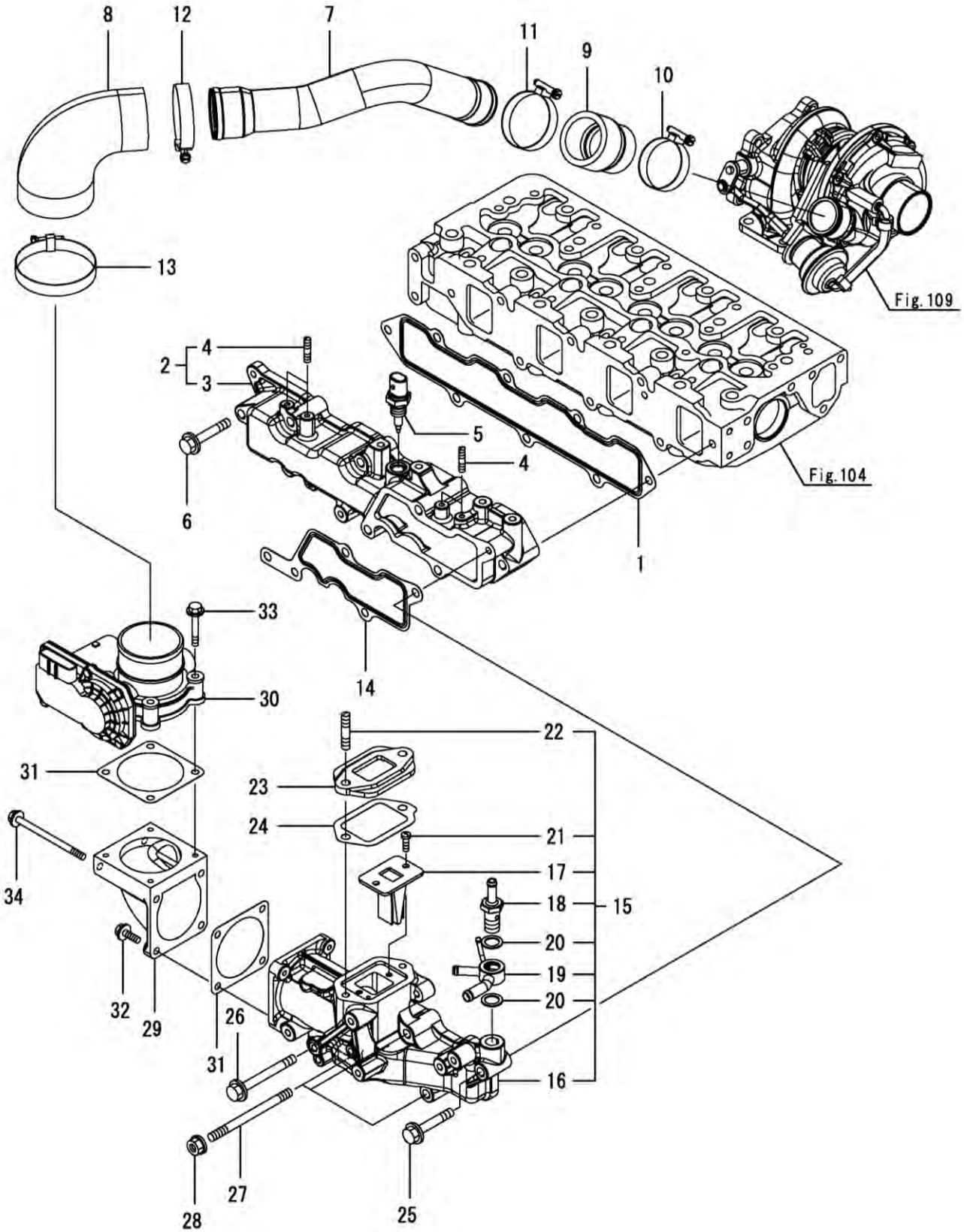
P1

Year / Month

2014 / 04



T554ST/NC/NH/SH / T454ST/NC/NH



NOTE

FIG 105B

SUCTION MANIFOLD (T454)

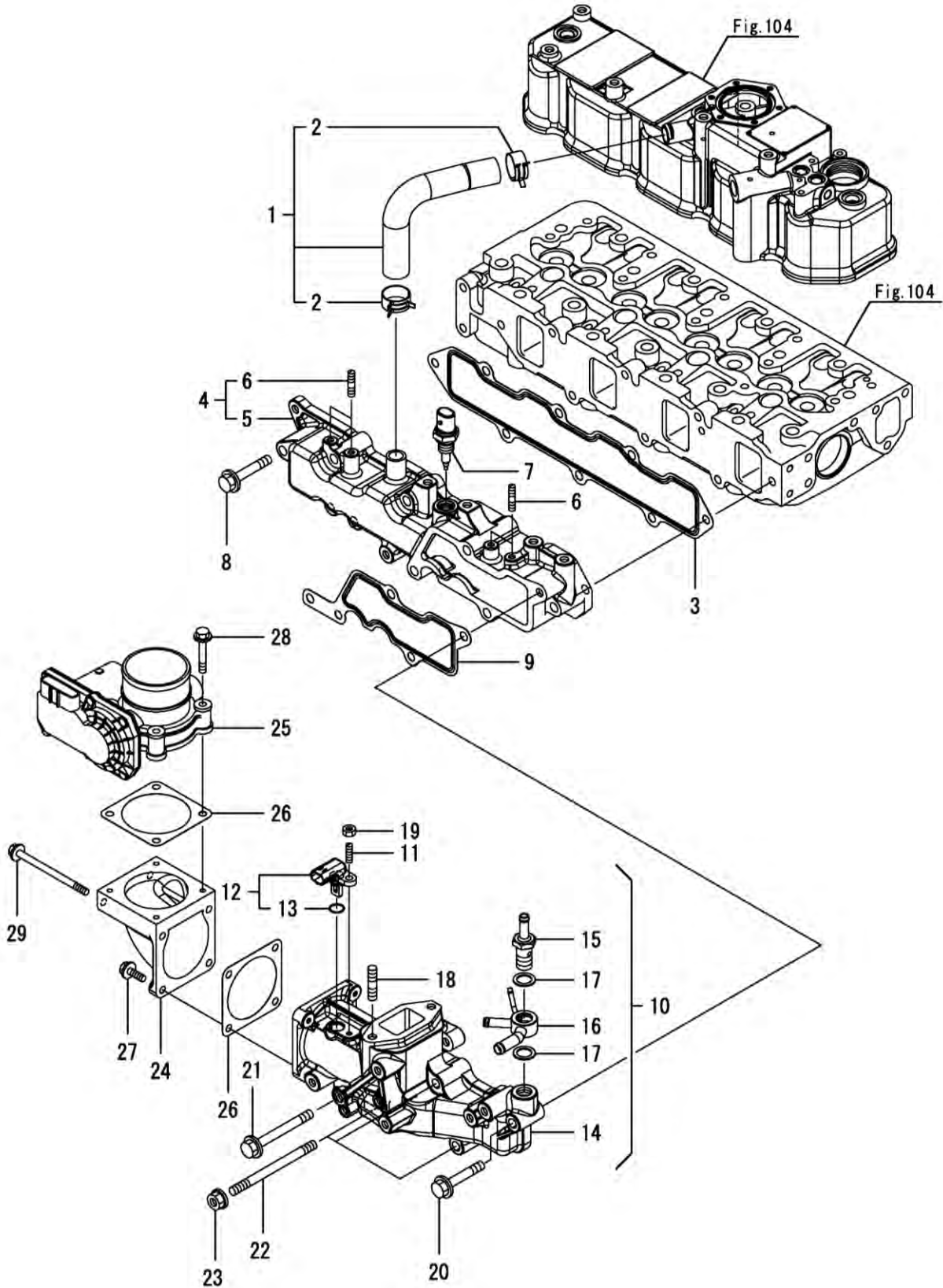
P1

Year / Month

2014 / 04



T554ST/NC/NH/SH / T454ST/NC/NH



NOTE

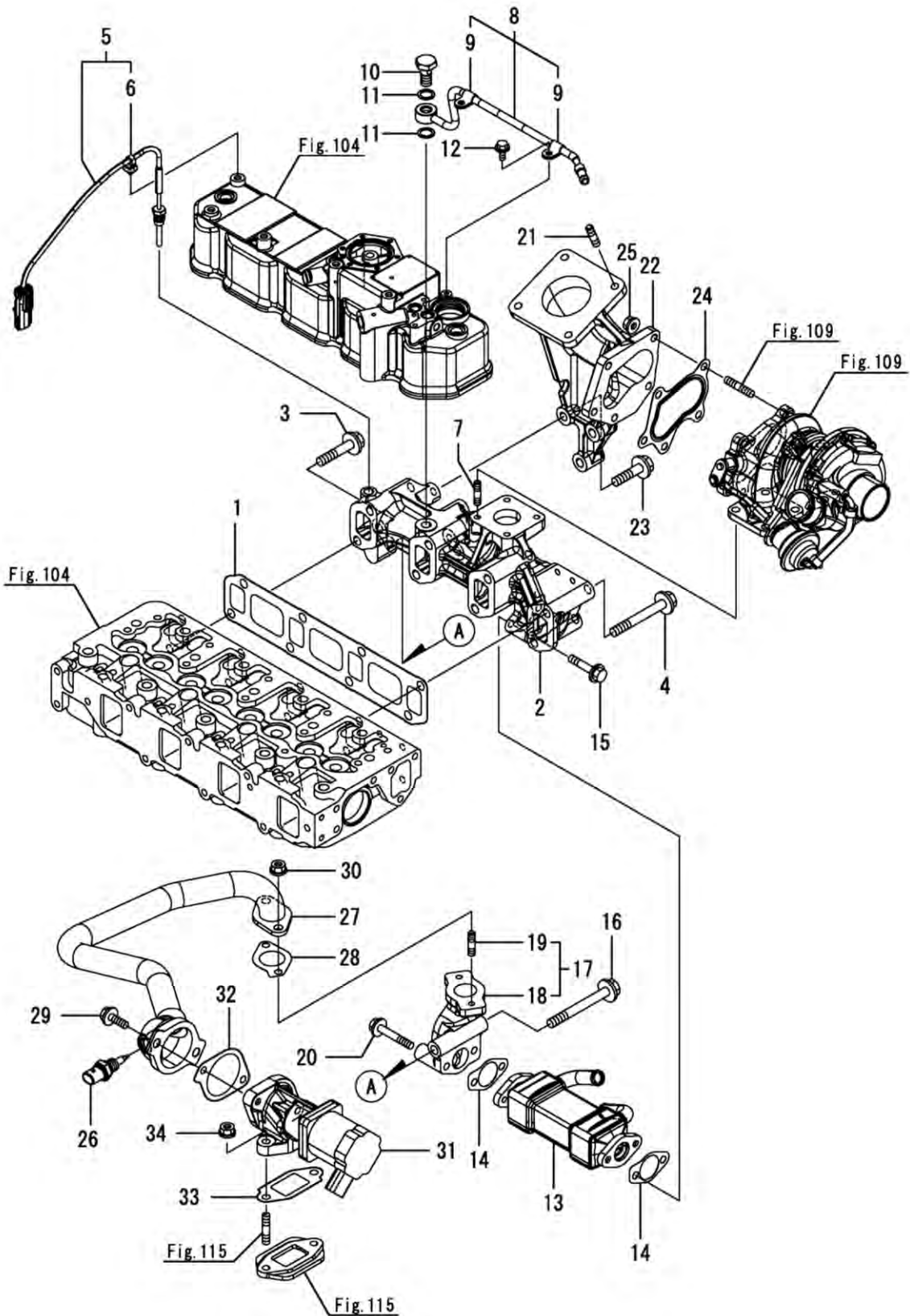
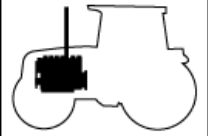
FIG 106A

EXHAUST MANIFOLD (T554)

P1

Year / Month

2014 / 04



NOTE

# FIG 106B

# EXHAUST MANIFOLD (T454)

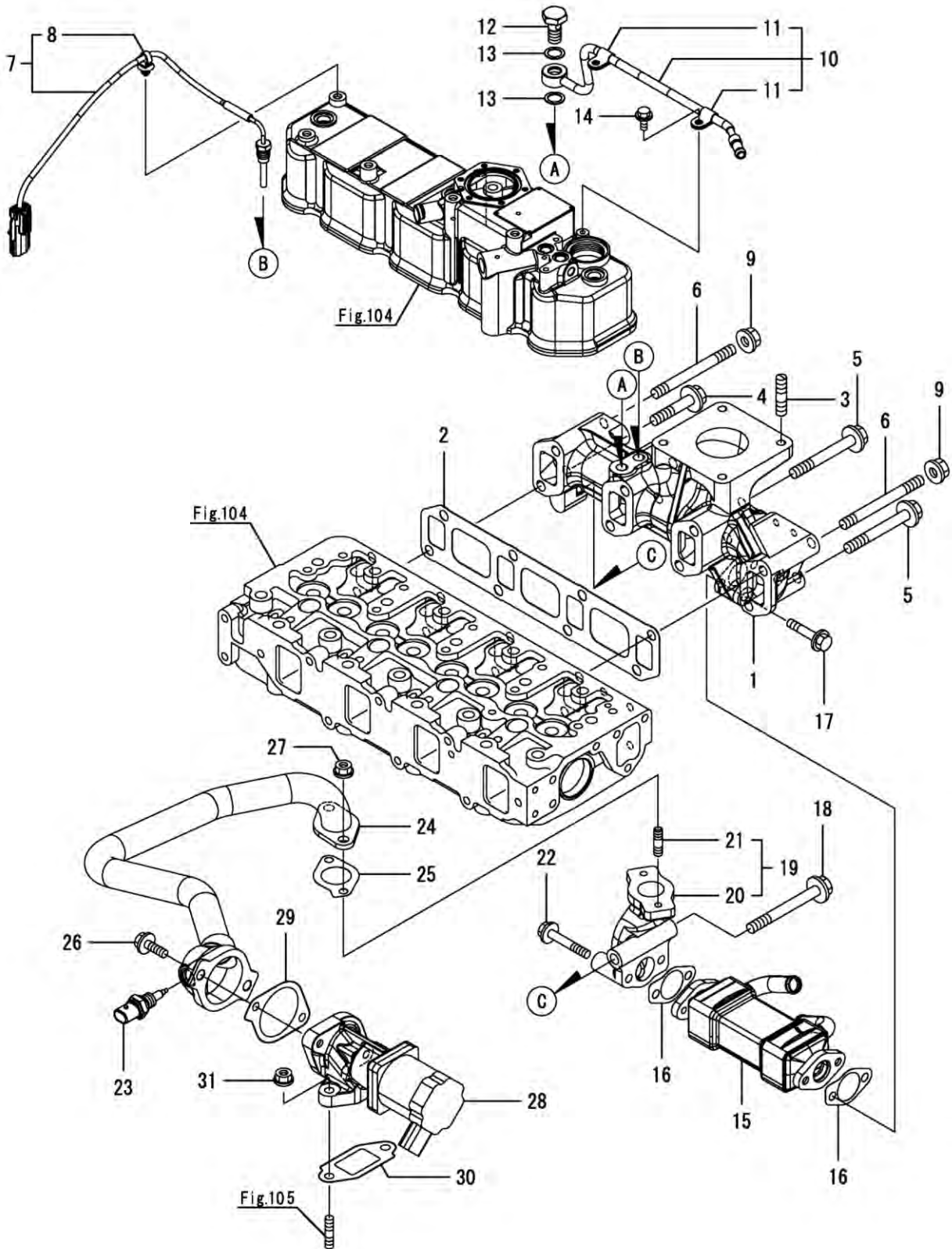
P1

Year / Month

2014 / 04



T554ST/NC/NH/SH / T454ST/NC/NH



NOTE

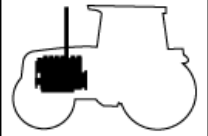
FIG 107A

DIESEL PARTICULATE FILTER (T554)

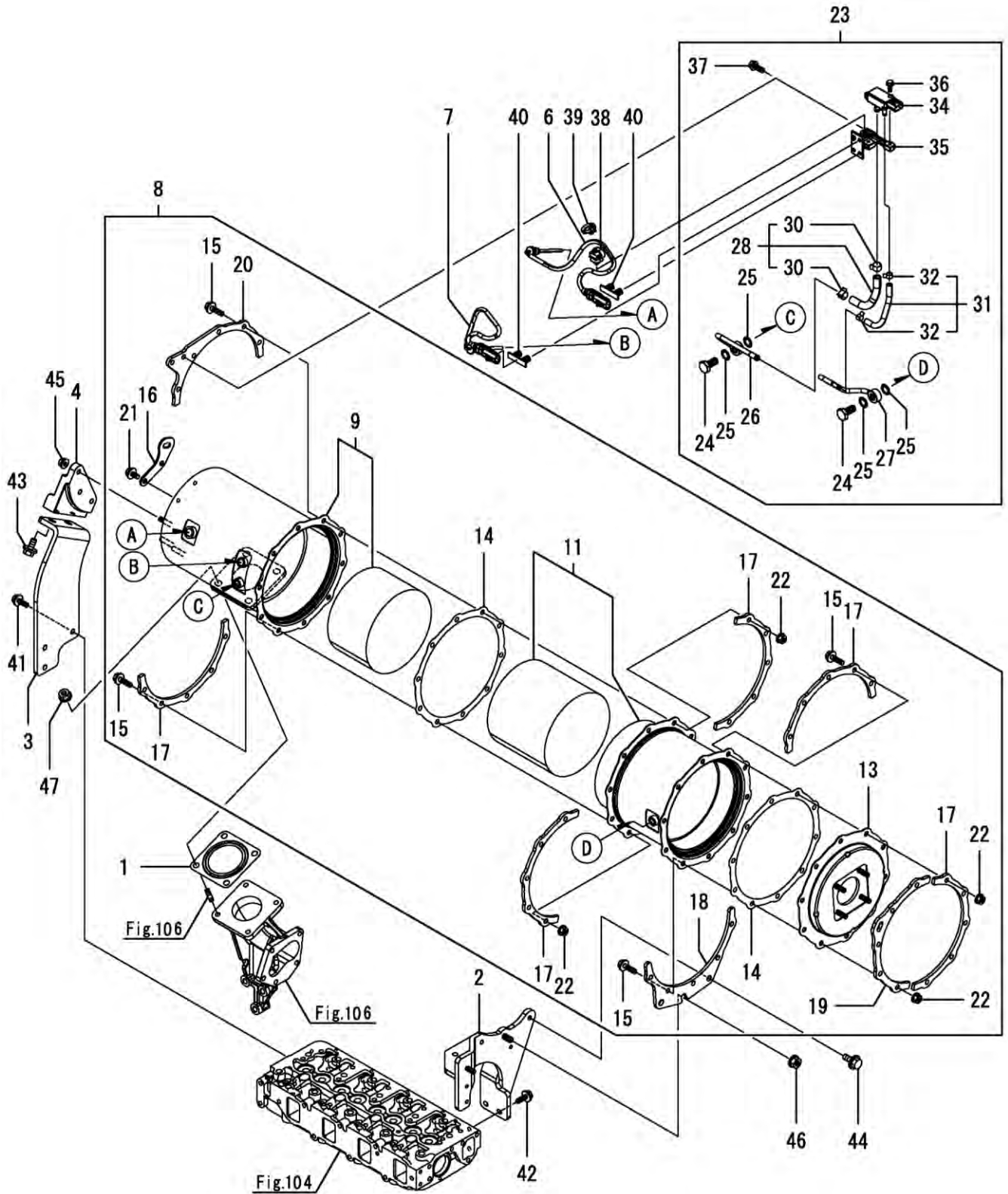
P1

Year / Month

2014 / 04



T554ST/NC/NH/SH / T454ST/NC/NH



NOTE

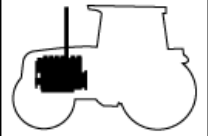
FIG 107B

DIESEL PARTICULATE FILTER (T454)

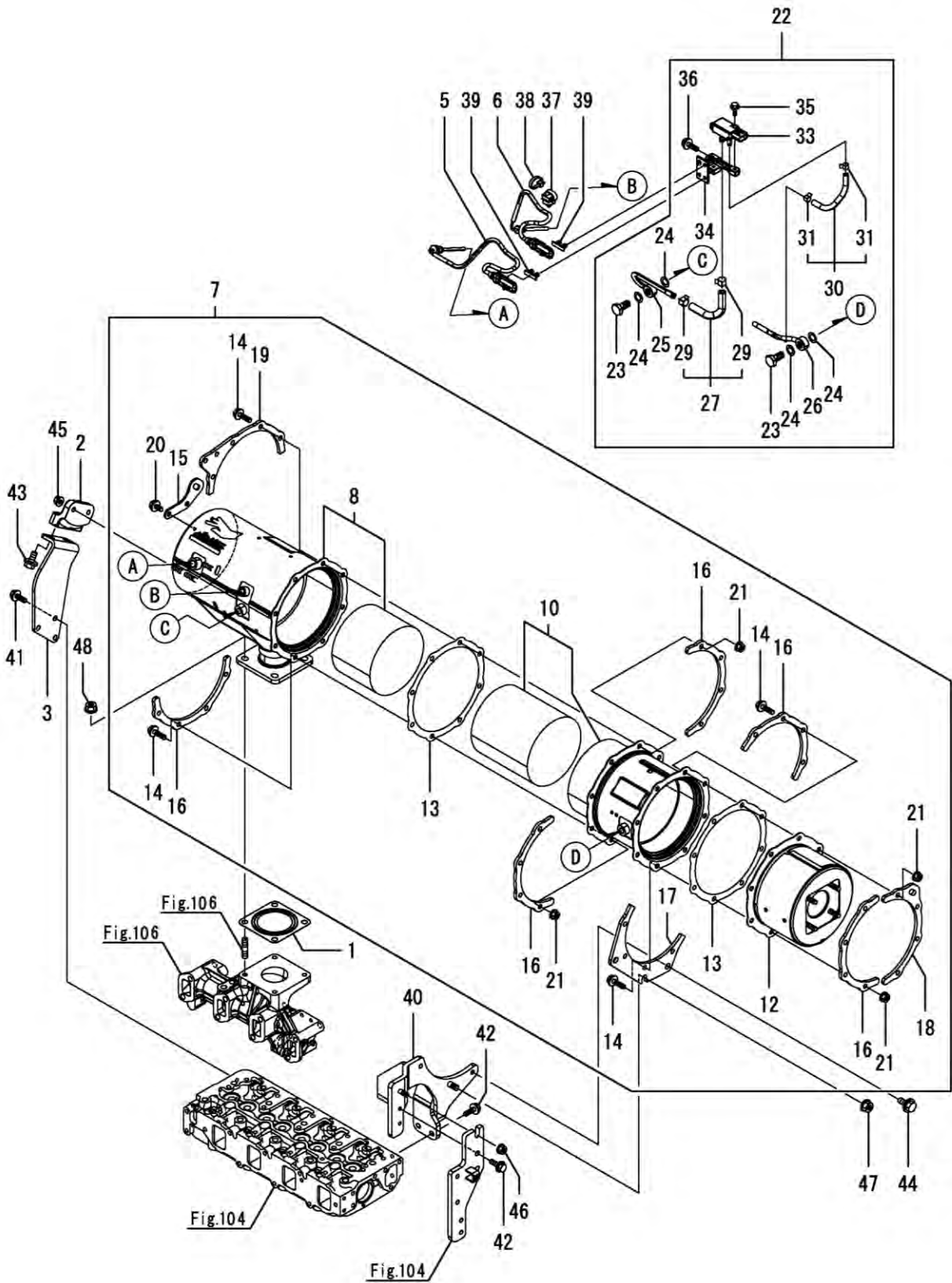
P1

Year / Month

2014 / 04



T554ST/NC/NH/SH / T454ST/NC/NH



NOTE

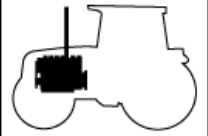
# FIG 108

# CAMSHAFT & DRIVING GEAR

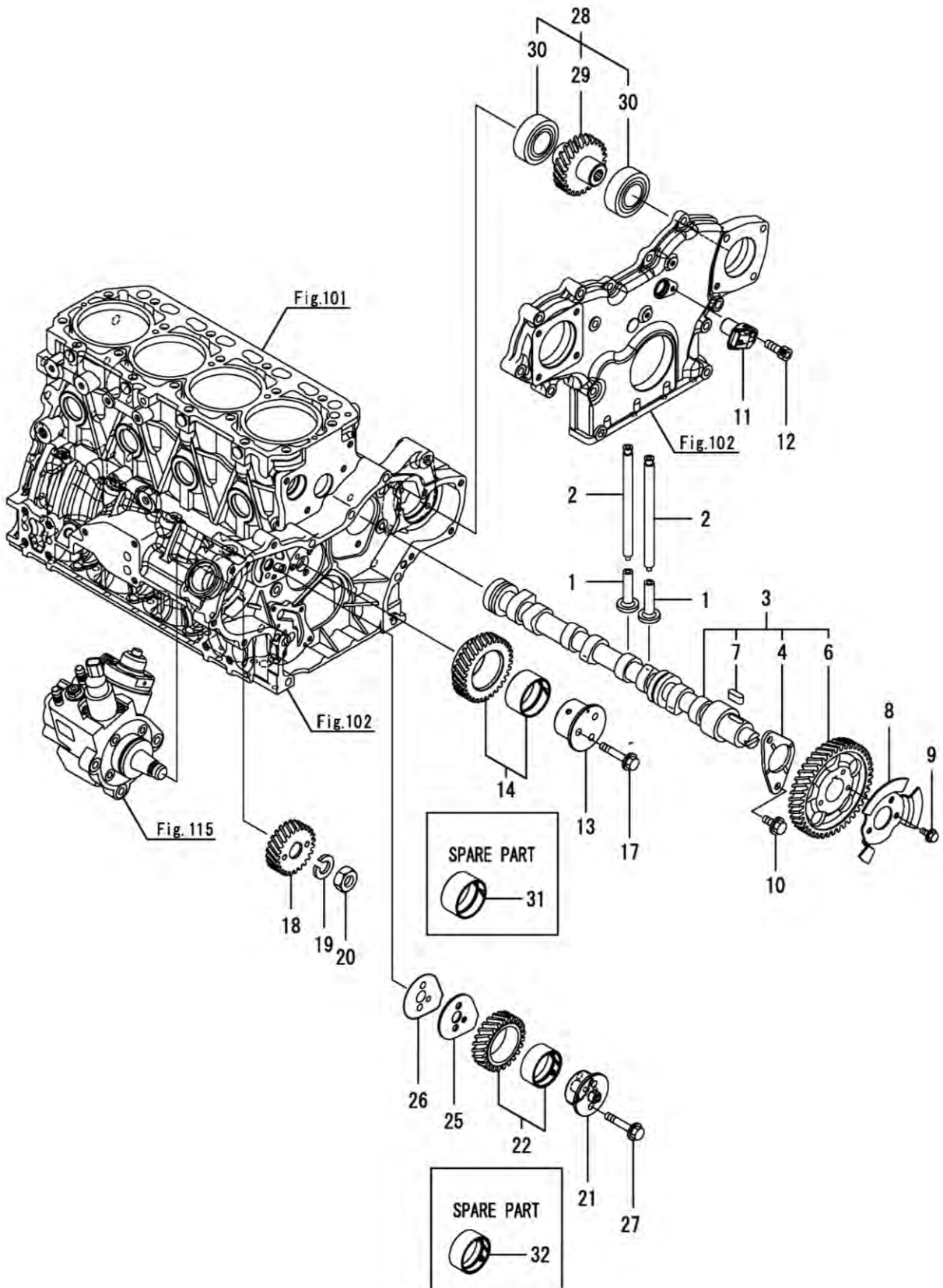
P1

Year / Month

2014 / 04



T554ST/NC/NH/SH / T454ST/NC/NH



NOTE



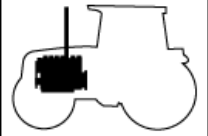
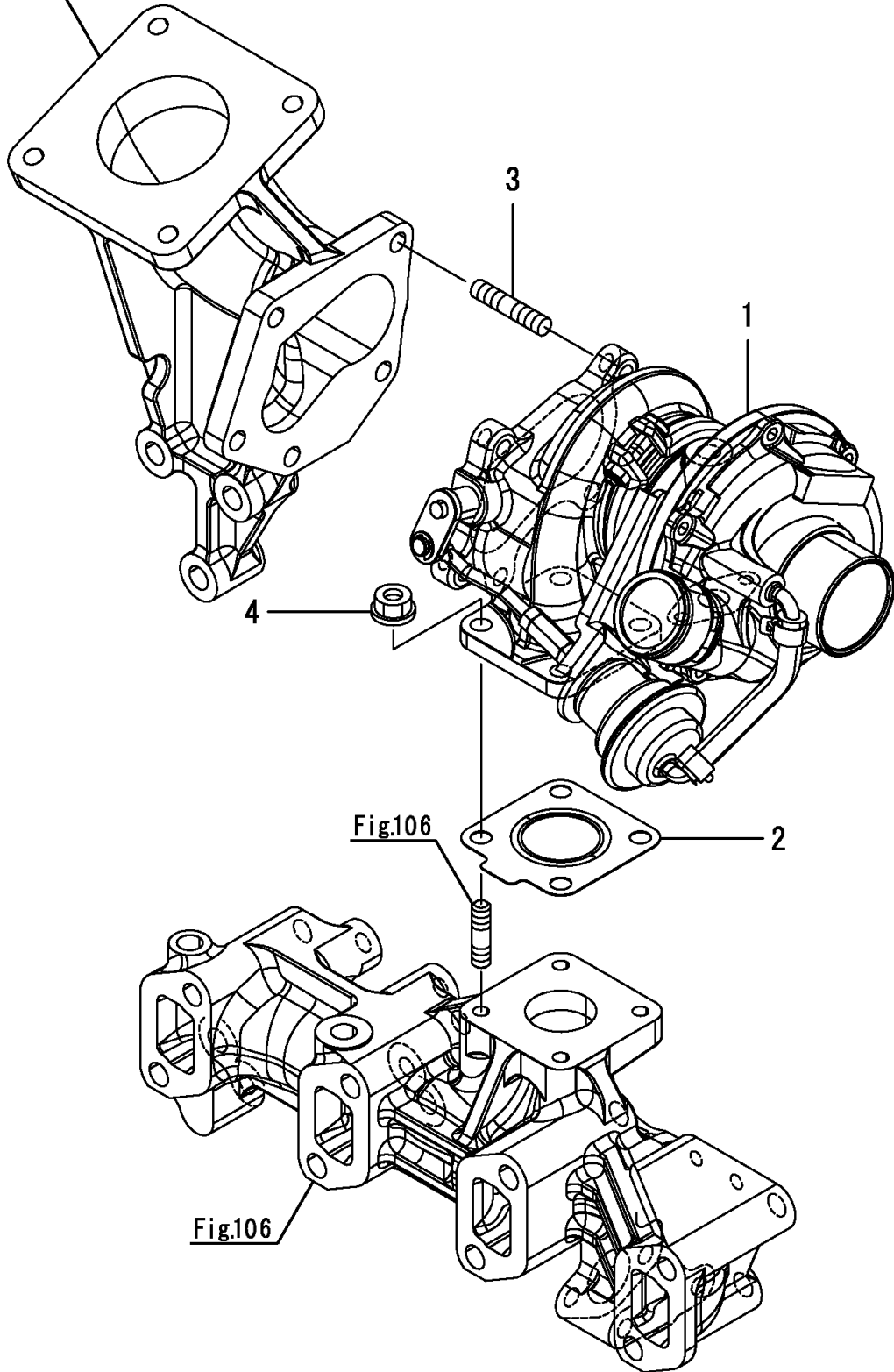


Fig.106



NOTE



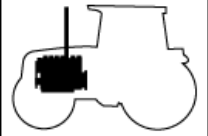
FIG 110A

CRANKSHAFT & PISTON (T554)

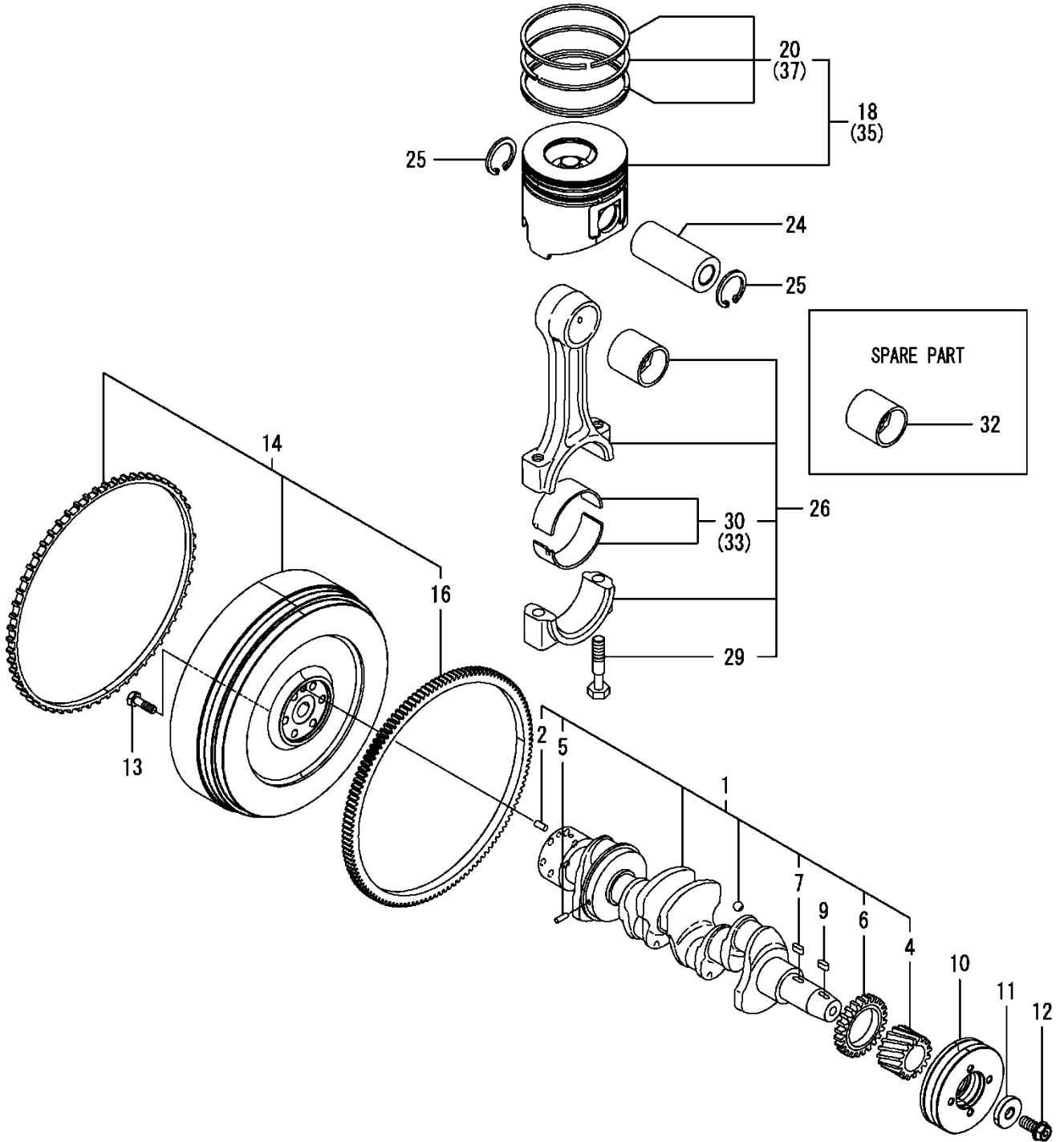
P1

Year / Month

2014 / 04



T554ST/NC/NH/SH / T454ST/NC/NH



NOTE

FIG 110B

CRANKSHAFT & PISTON (T454)

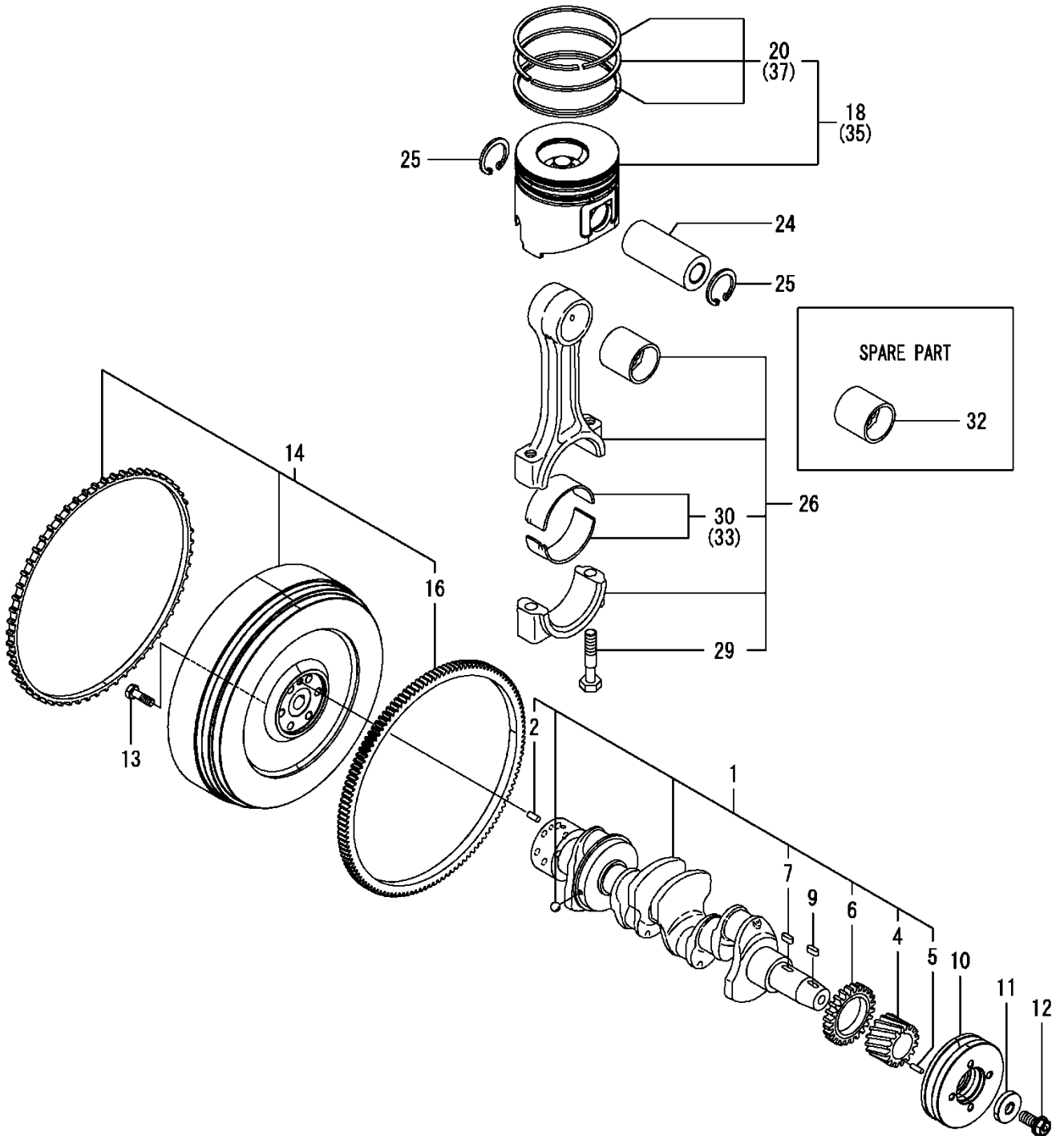
P1

Year / Month

2014 / 04



T554ST/NC/NH/SH / T454ST/NC/NH



NOTE

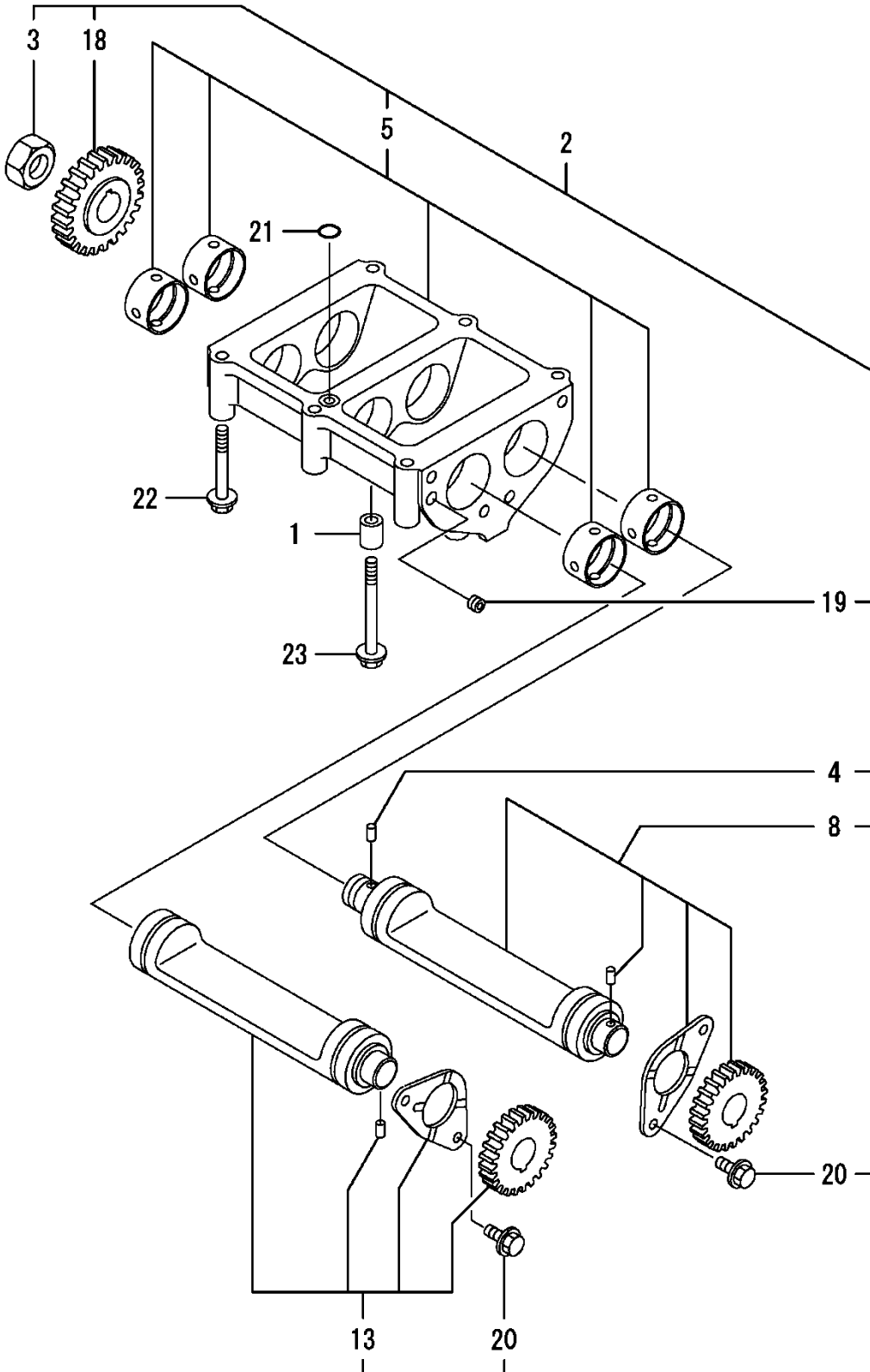
FIG 111

BALANCER

P1

Year / Month

2014 / 04



NOTE

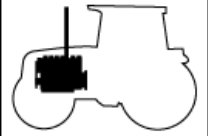
FIG 112A

LUB. OIL SYSTEM (T554)

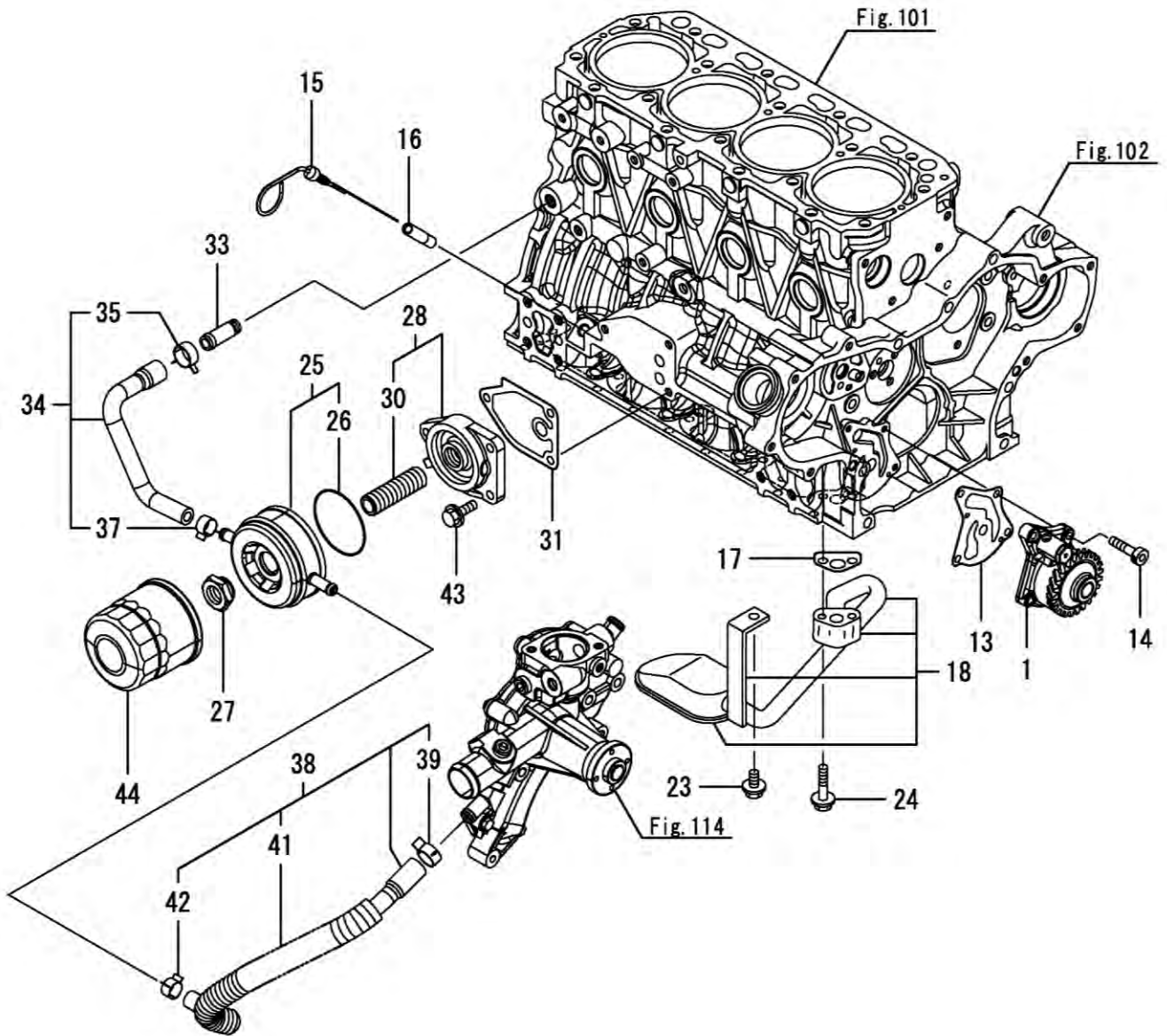
P1

Year / Month

2014 / 04



T554ST/NC/NH/SH / T454ST/NC/NH



NOTE

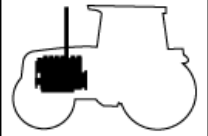
FIG 112B

LUB. OIL SYSTEM (T454)

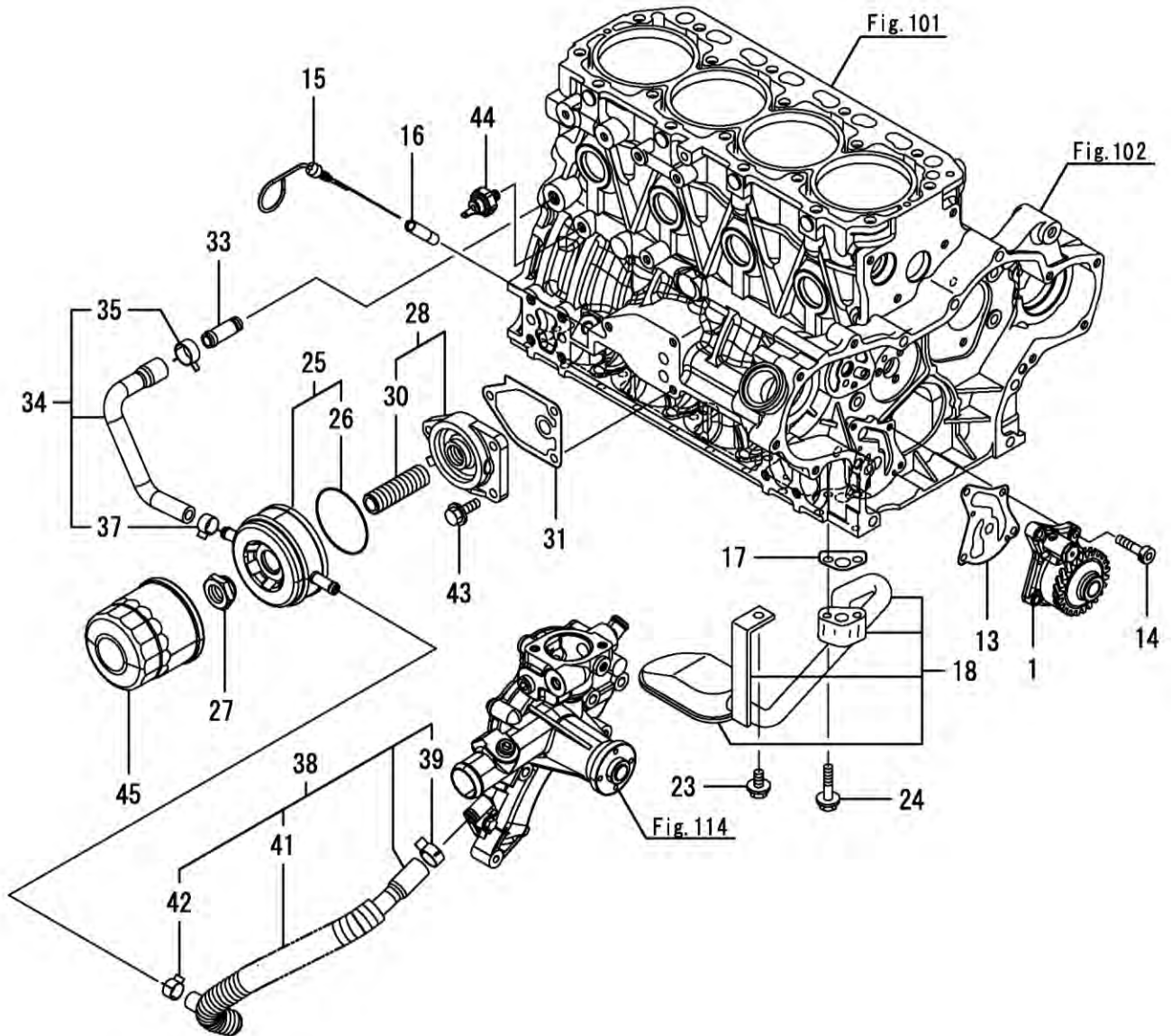
P1

Year / Month

2014 / 04



T554ST/NC/NH/SH / T454ST/NC/NH



NOTE

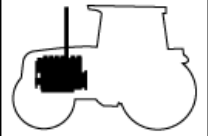
# FIG 113

# LUB. OIL LINE (T554)

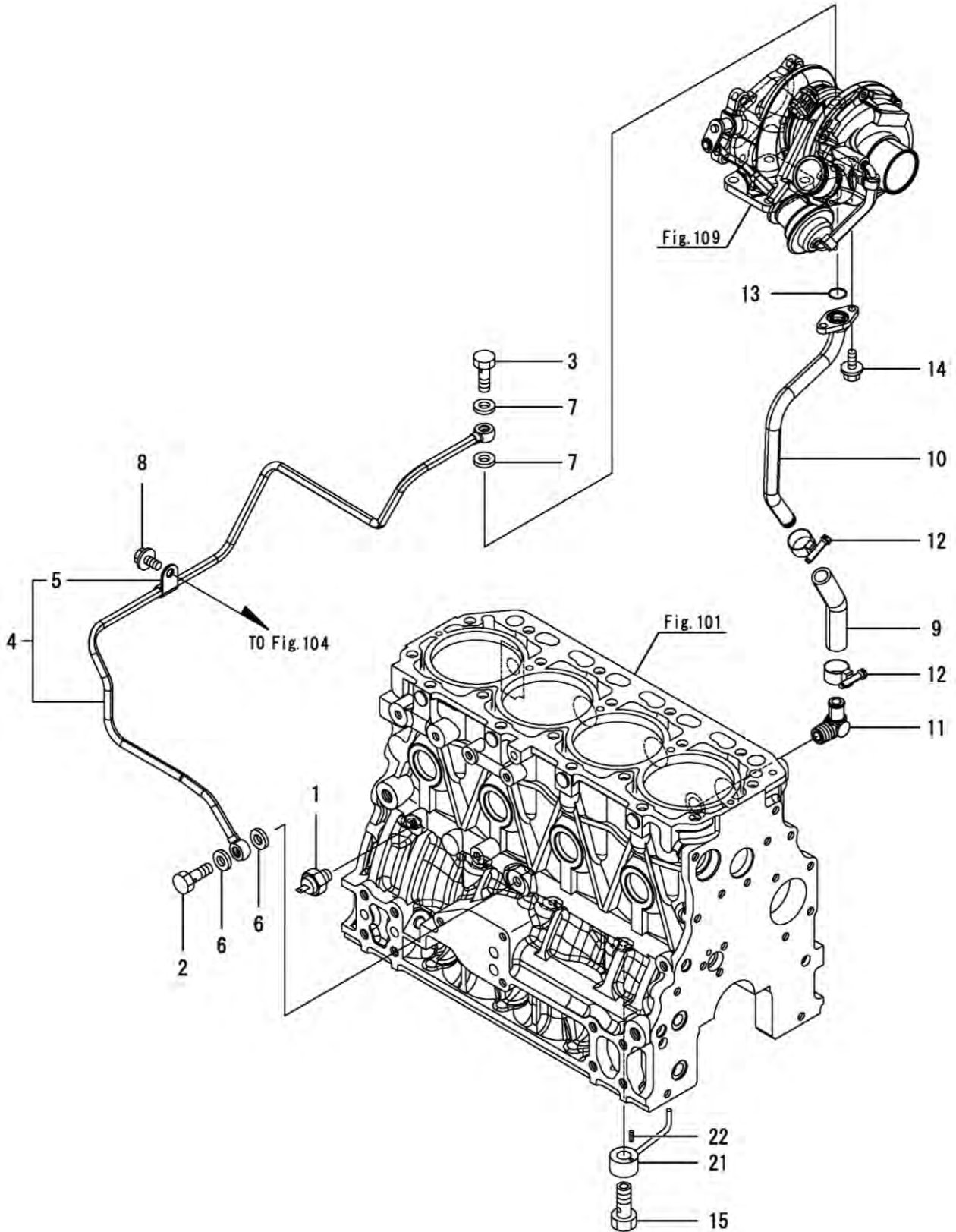
P1

Year / Month

2014 / 04



T554ST/NC/NH/SH / T454ST/NC/NH



NOTE

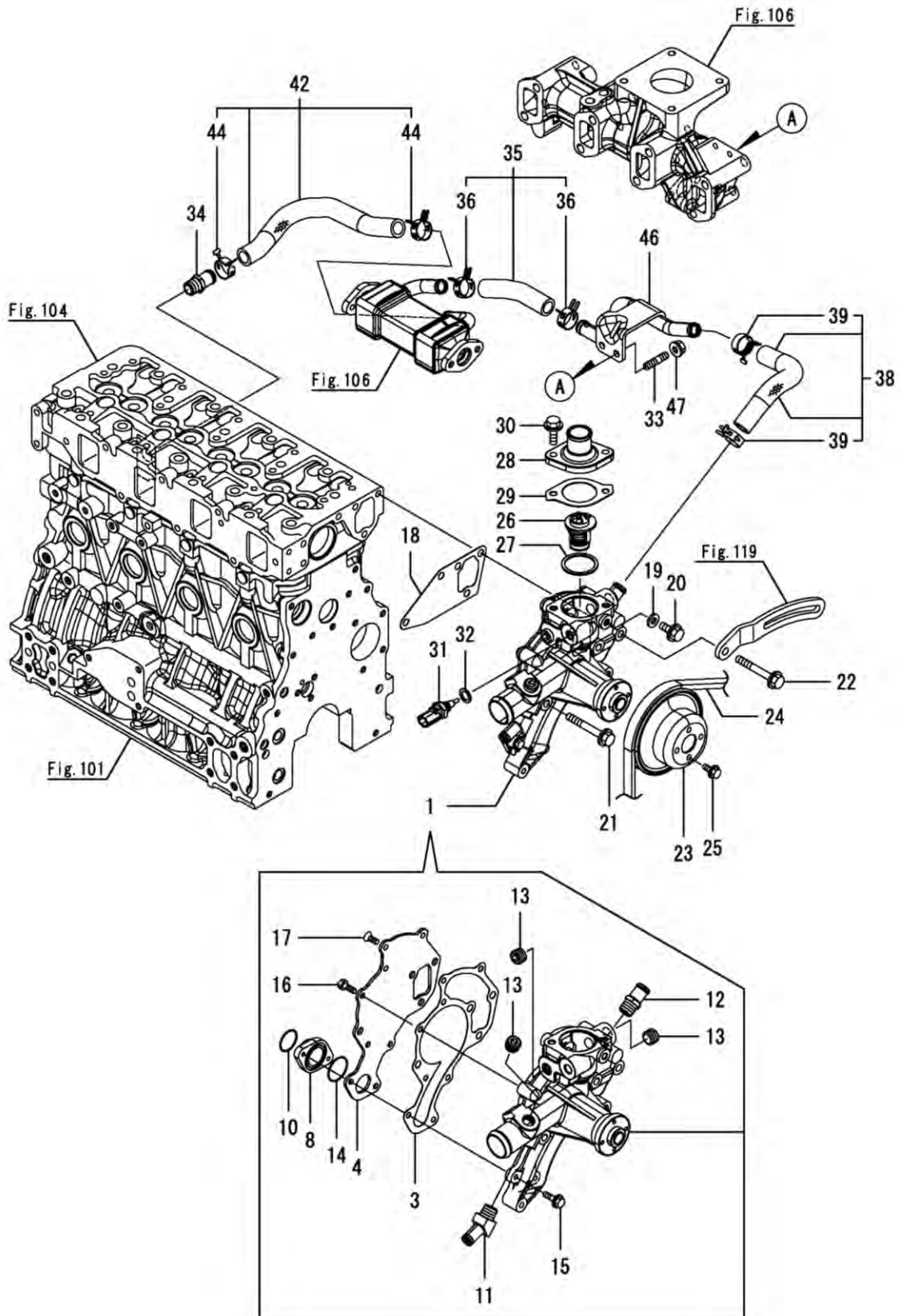
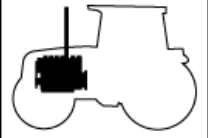
# FIG 114

# COOLING WATER SYSTEM

P1

Year / Month

2014 / 04



NOTE

# FIG 115

# FUEL SUPPLY PUMP

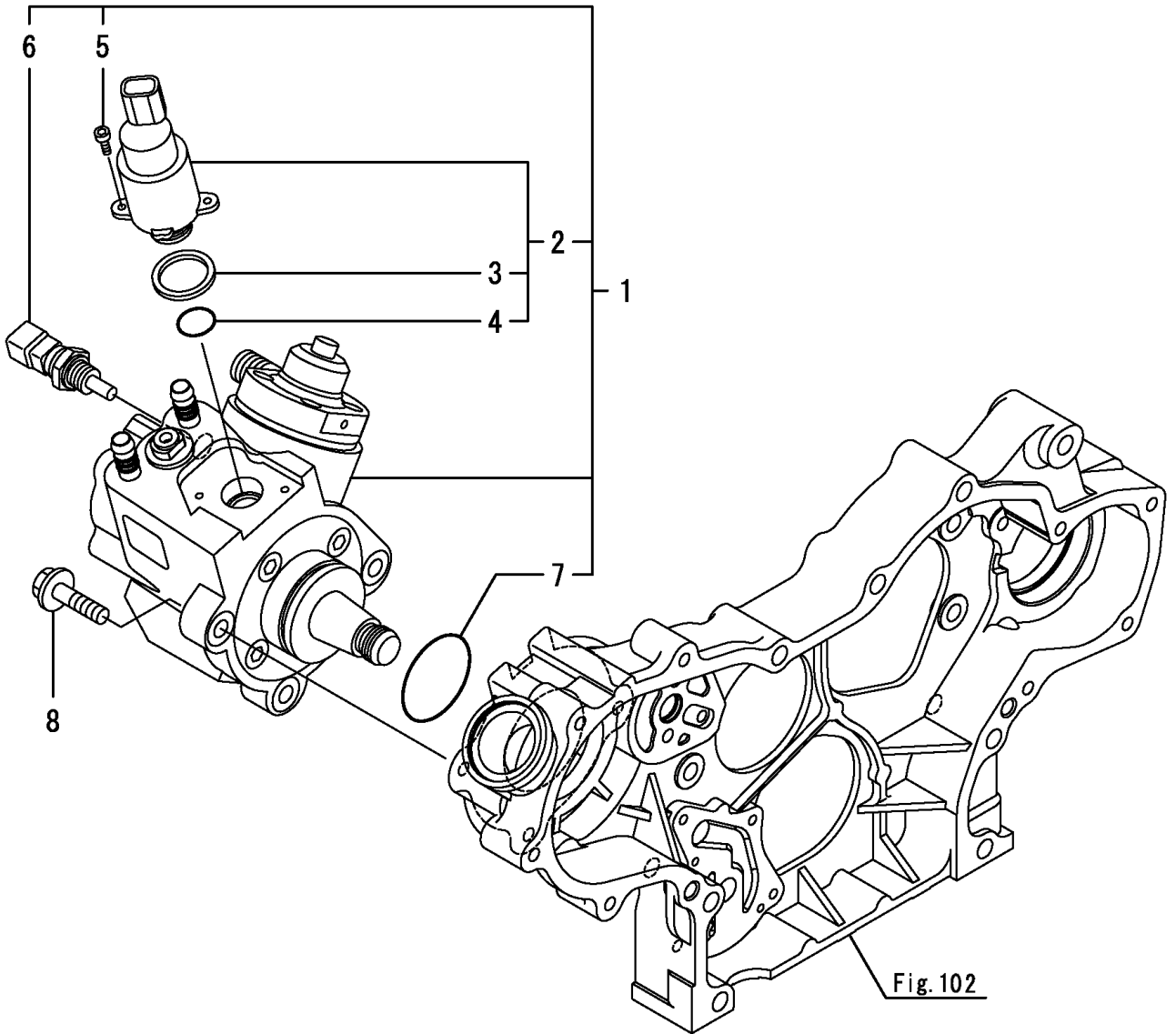
P1

Year / Month

2014 / 04



T554ST/NC/NH/SH / T454ST/NC/NH



NOTE



FIG 116A

FUEL INJECTION VALVE (T554)

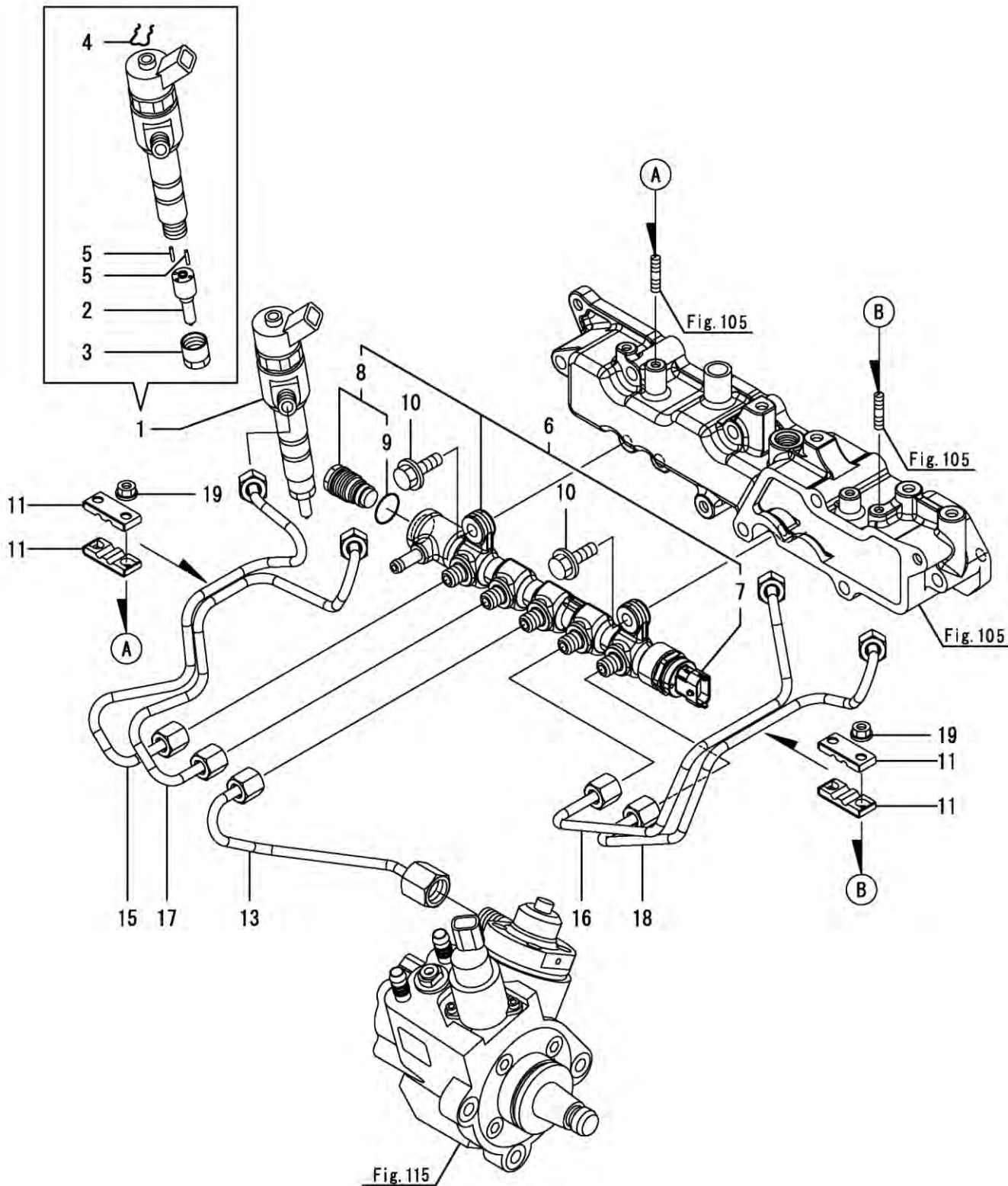
P1

Year / Month

2014 / 04



T554ST/NC/NH/SH / T454ST/NC/NH



NOTE

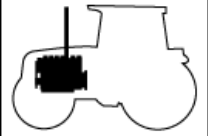
FIG 116B

FUEL INJECTION VALVE (T454)

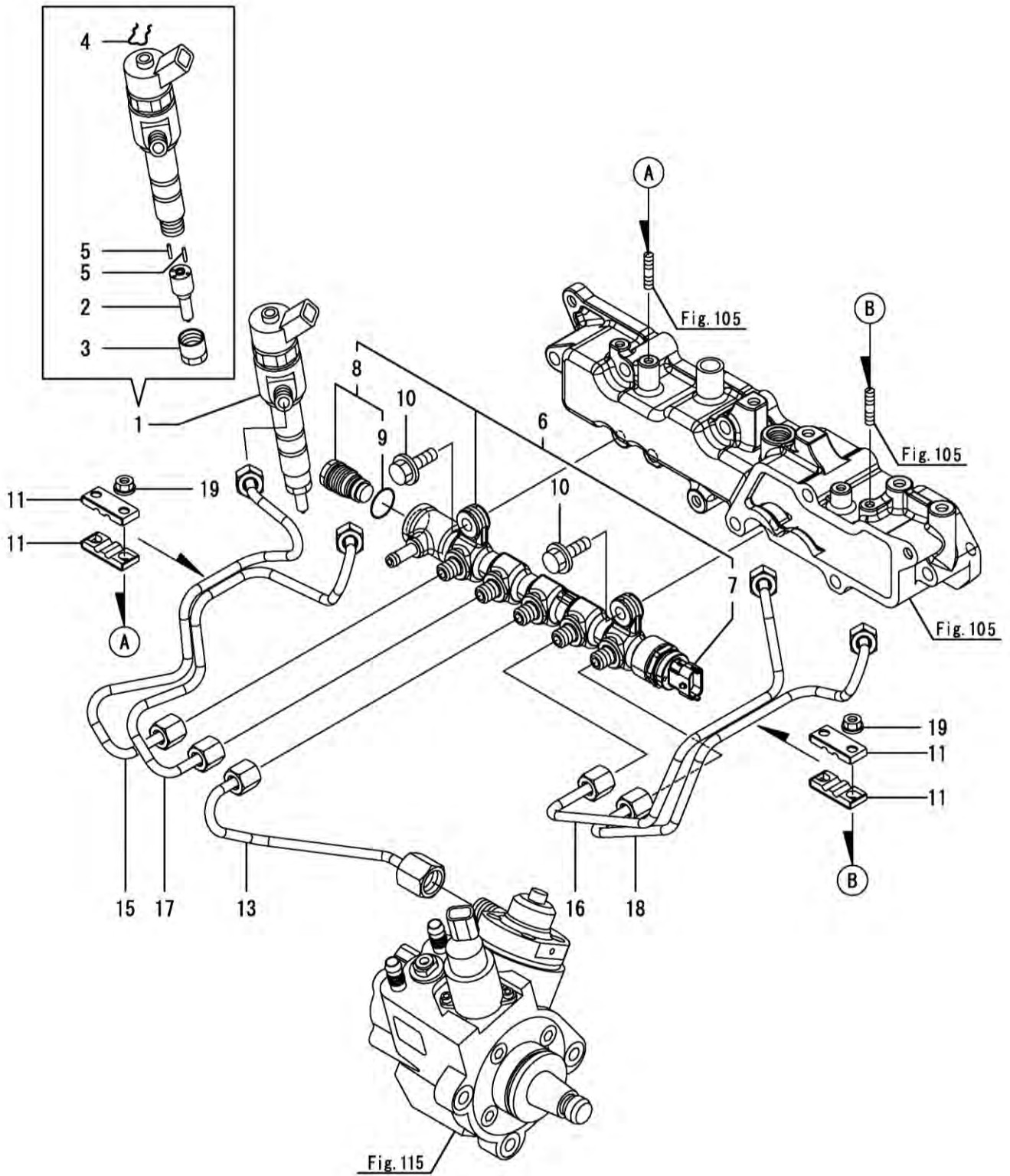
P1

Year / Month

2014 / 04



T554ST/NC/NH/SH / T454ST/NC/NH



NOTE

# FIG 117

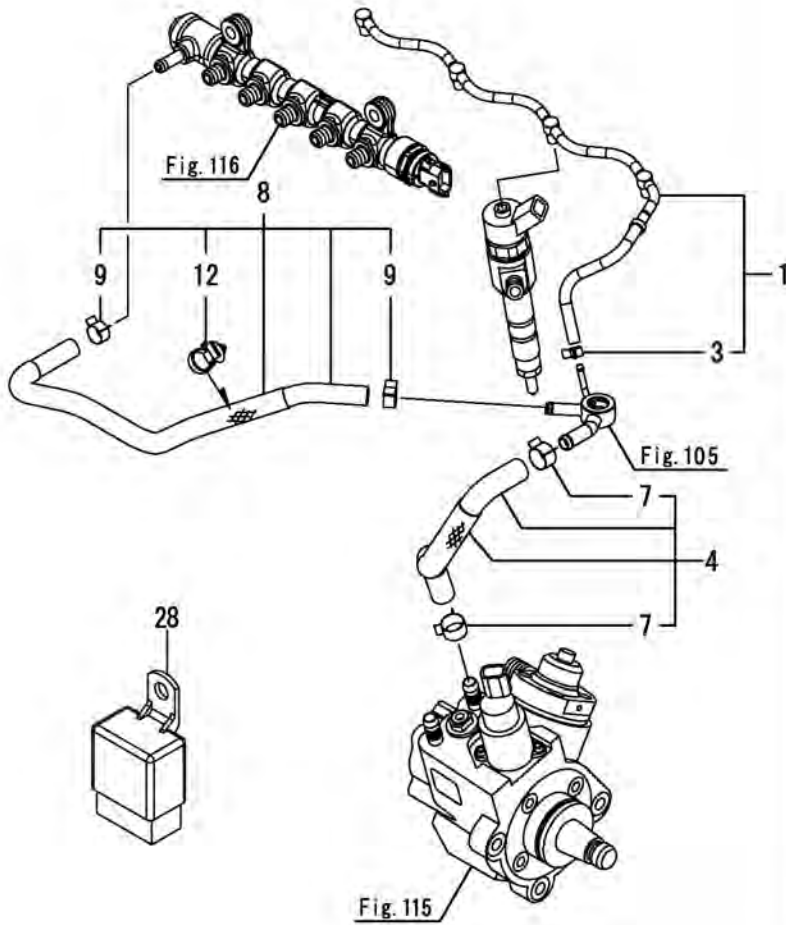
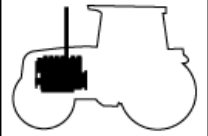
# FUEL LINE

T554ST/NC/NH/SH / T454ST/NC/NH

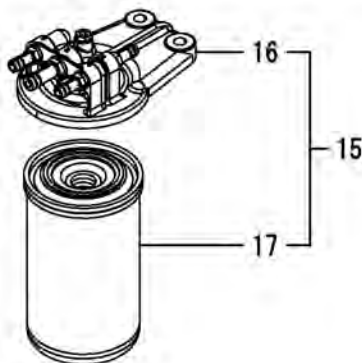
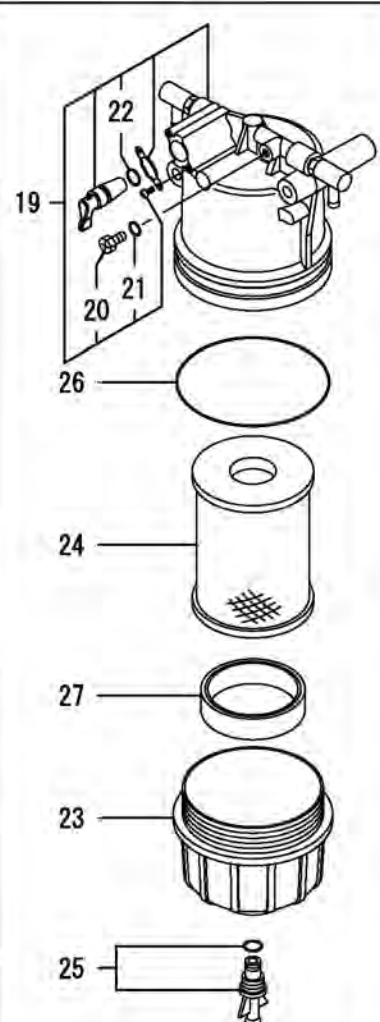
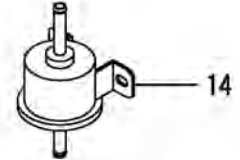
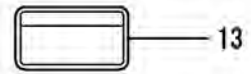
P1

Year / Month

2014 / 04



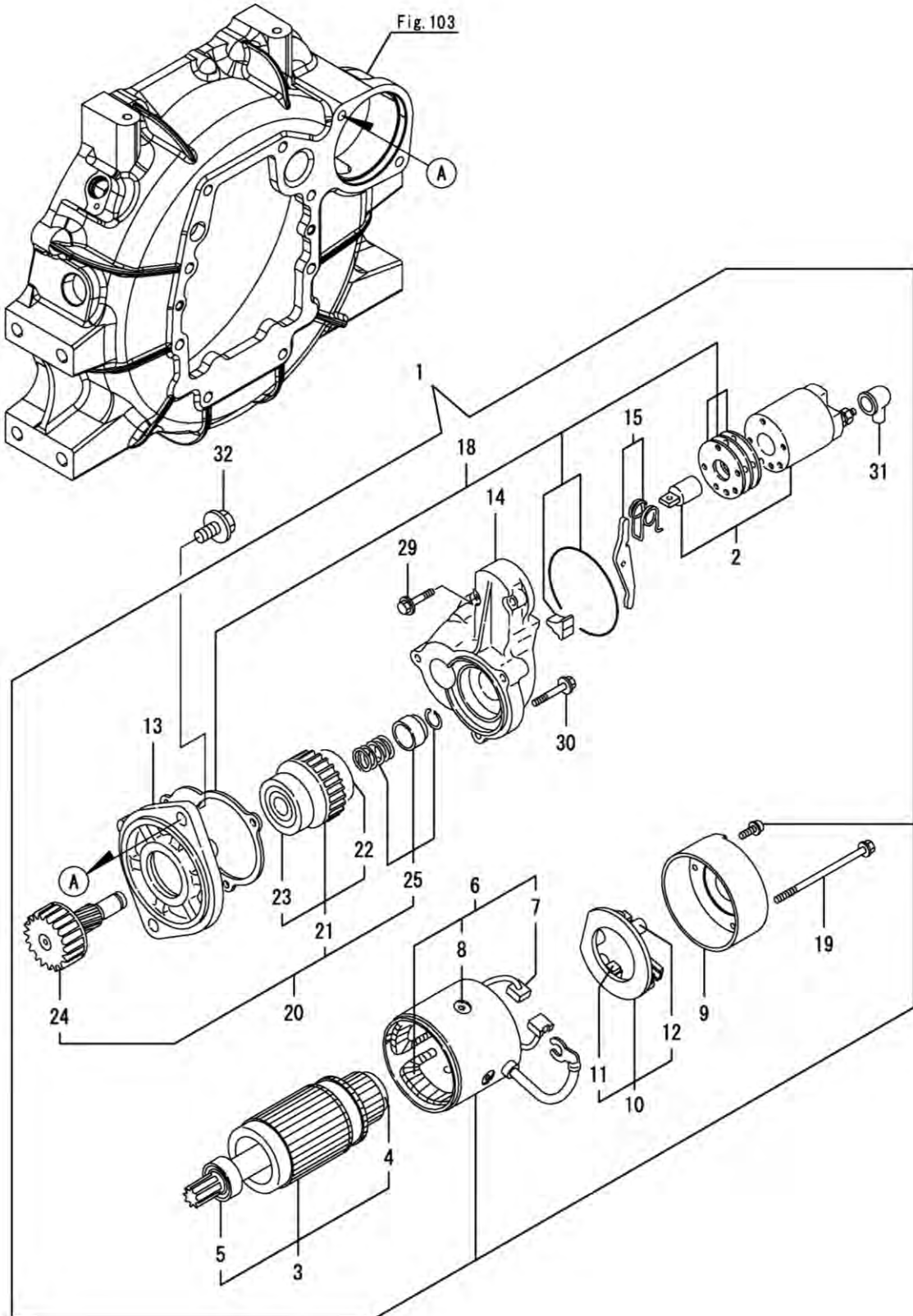
## LOOSE PARTS



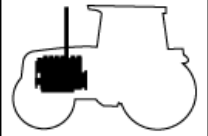
NOTE



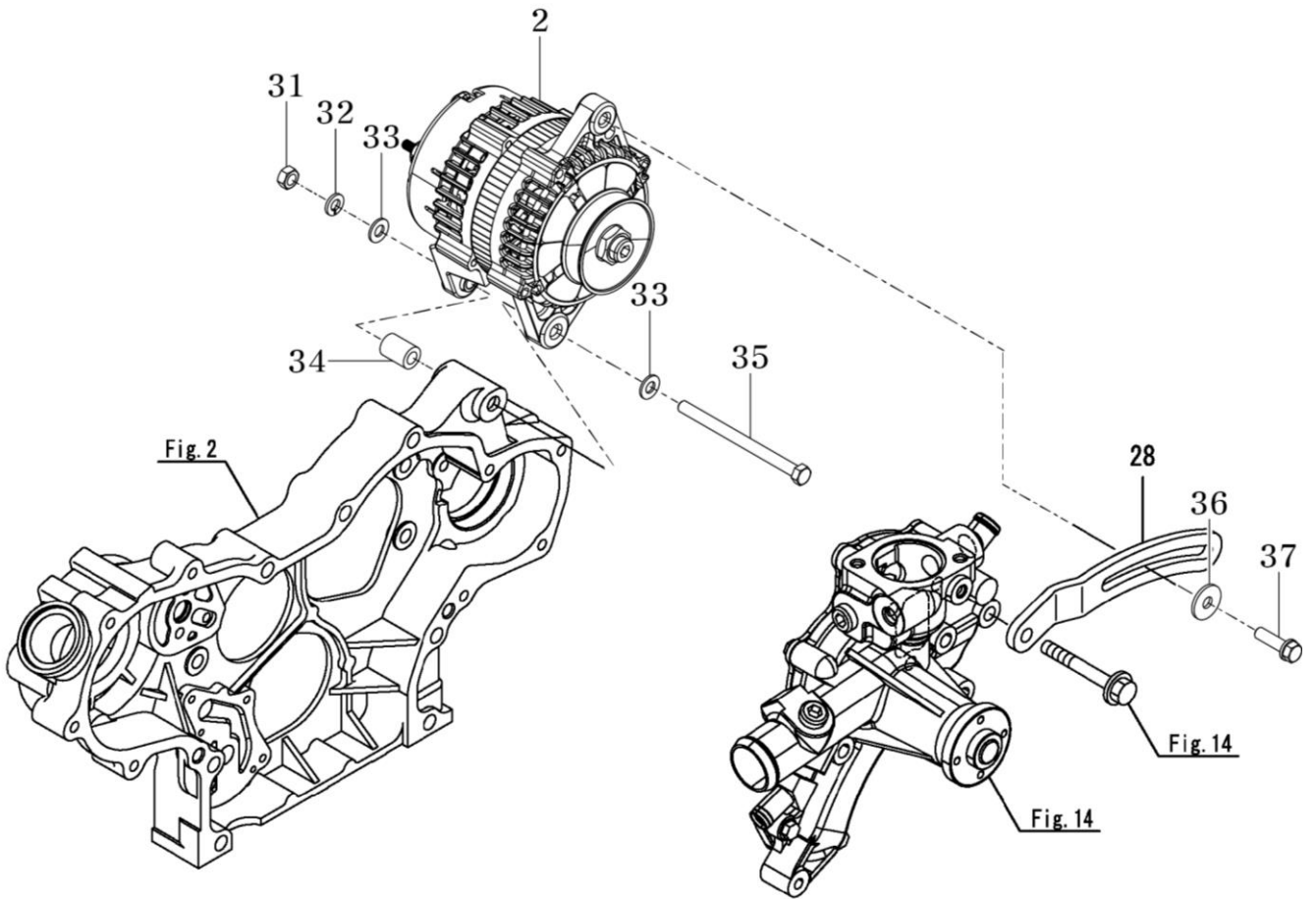
T554ST/NC/NH/SH / T454ST/NC/NH



NOTE



T554ST/NC/NH/SH / T454ST/NC/NH



NOTE

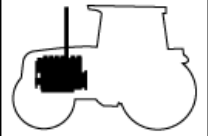
FIG 120A

ELECTRONIC CONTROL UNIT (T554)

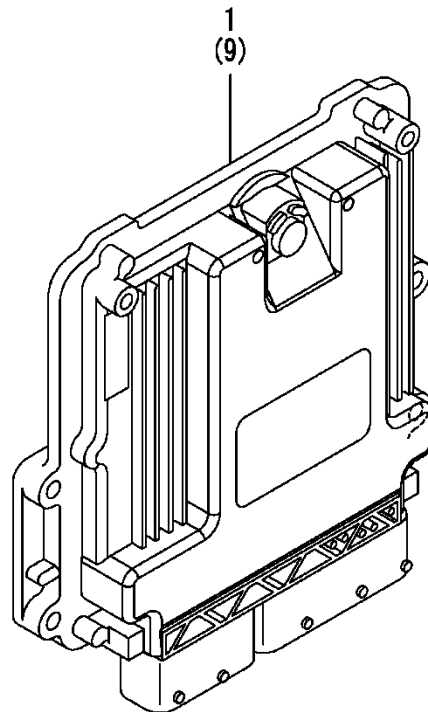
P1

Year / Month

2014 / 04



T554ST/NC/NH/SH / T454ST/NC/NH



NOTE

FIG 120B

ELECTRONIC CONTROL UNIT (T454)

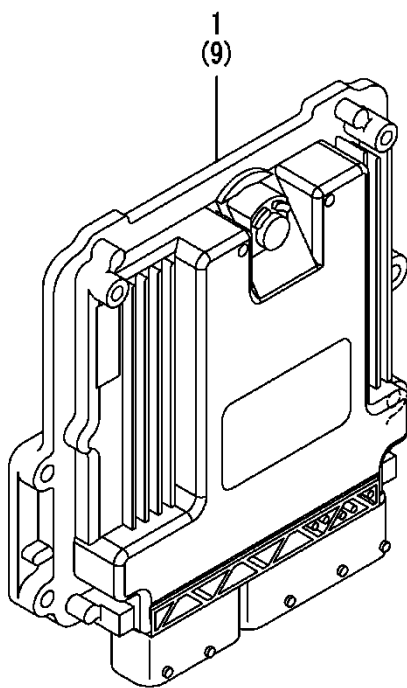
P1

Year / Month

2014 / 04



T554ST/NC/NH/SH / T454ST/NC/NH



NOTE

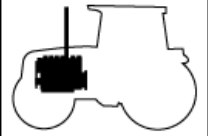
FIG 121A

ELECTRIC PARTS (T554)

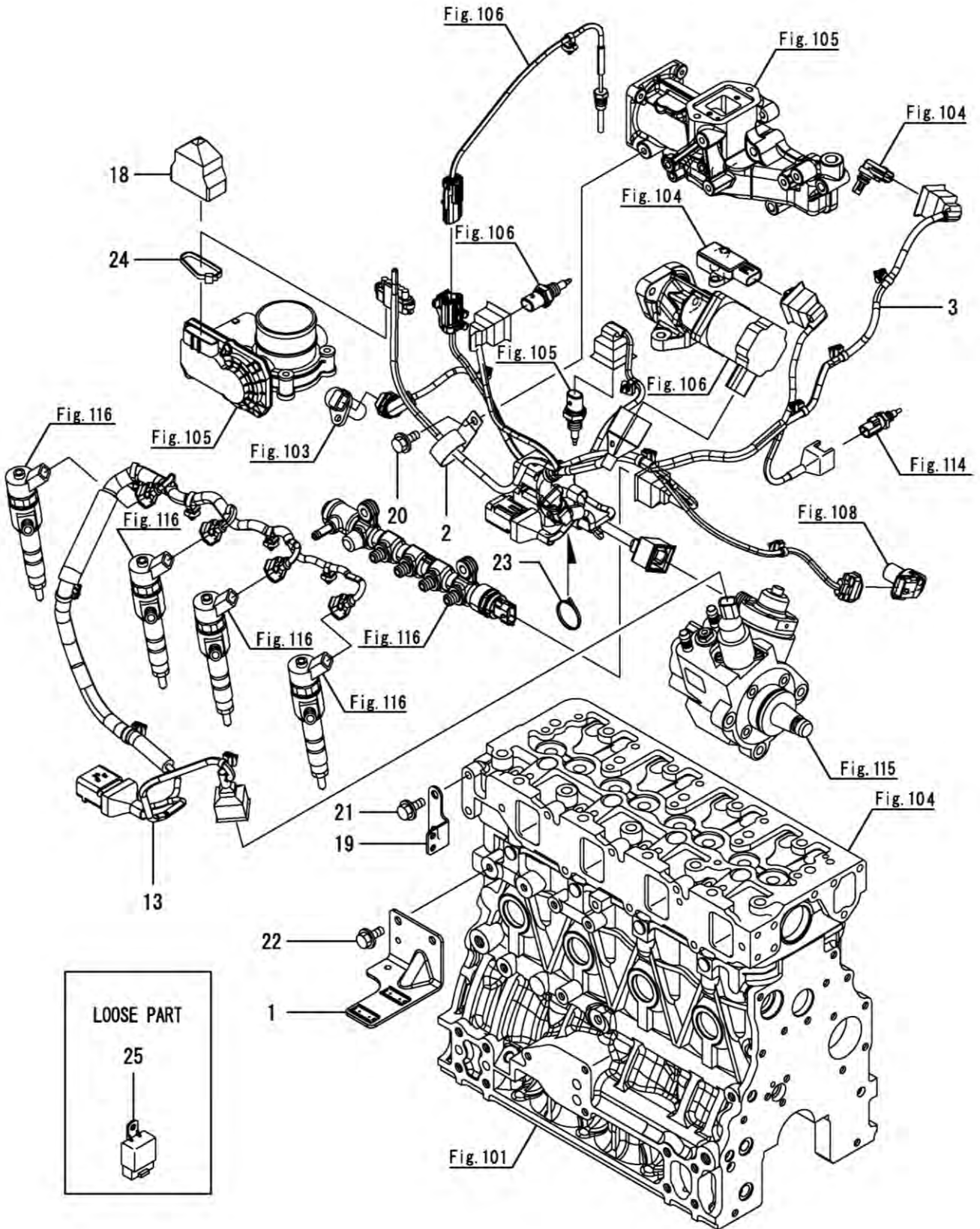
P1

Year / Month

2014 / 04



T554ST/NC/NH/SH / T454ST/NC/NH



NOTE





FIG 122A

ACCESSORY (T554)

P1

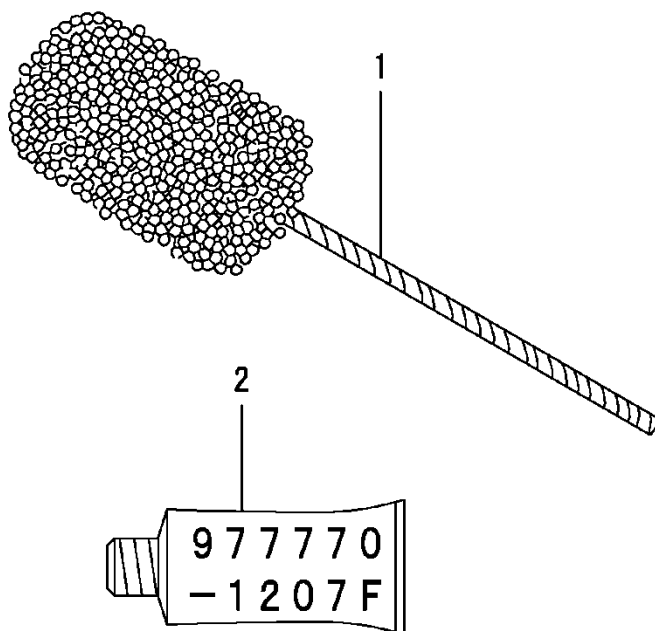
Year / Month

2014 / 04



T554ST/NC/NH/SH / T454ST/NC/NH

OPTIONAL PARTS



NOTE

FIG 122B

ACCESSORY (T454)

P1

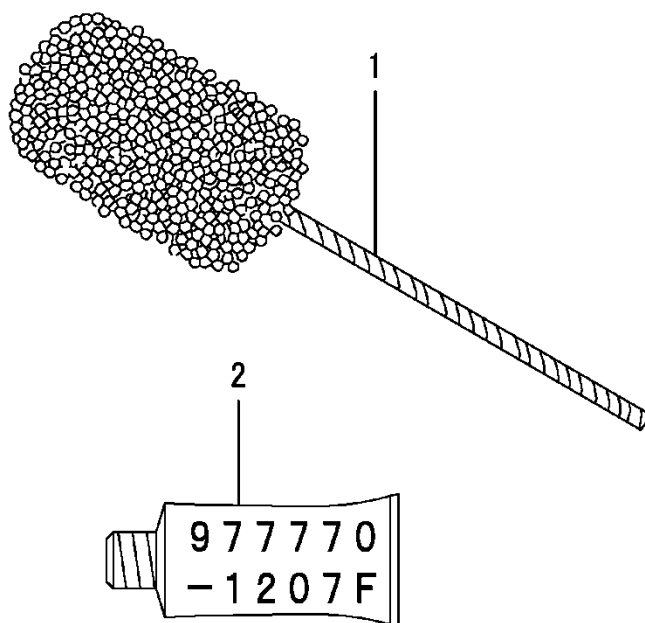
Year / Month

2014 / 04



T554ST/NC/NH/SH / T454ST/NC/NH

OPTIONAL PARTS



NOTE

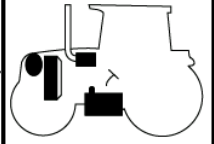
# FIG 201

# AIR CLEANER

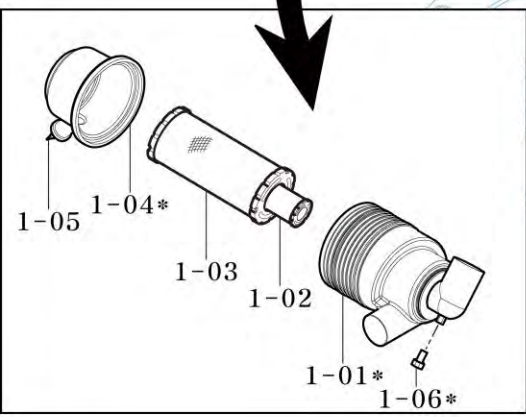
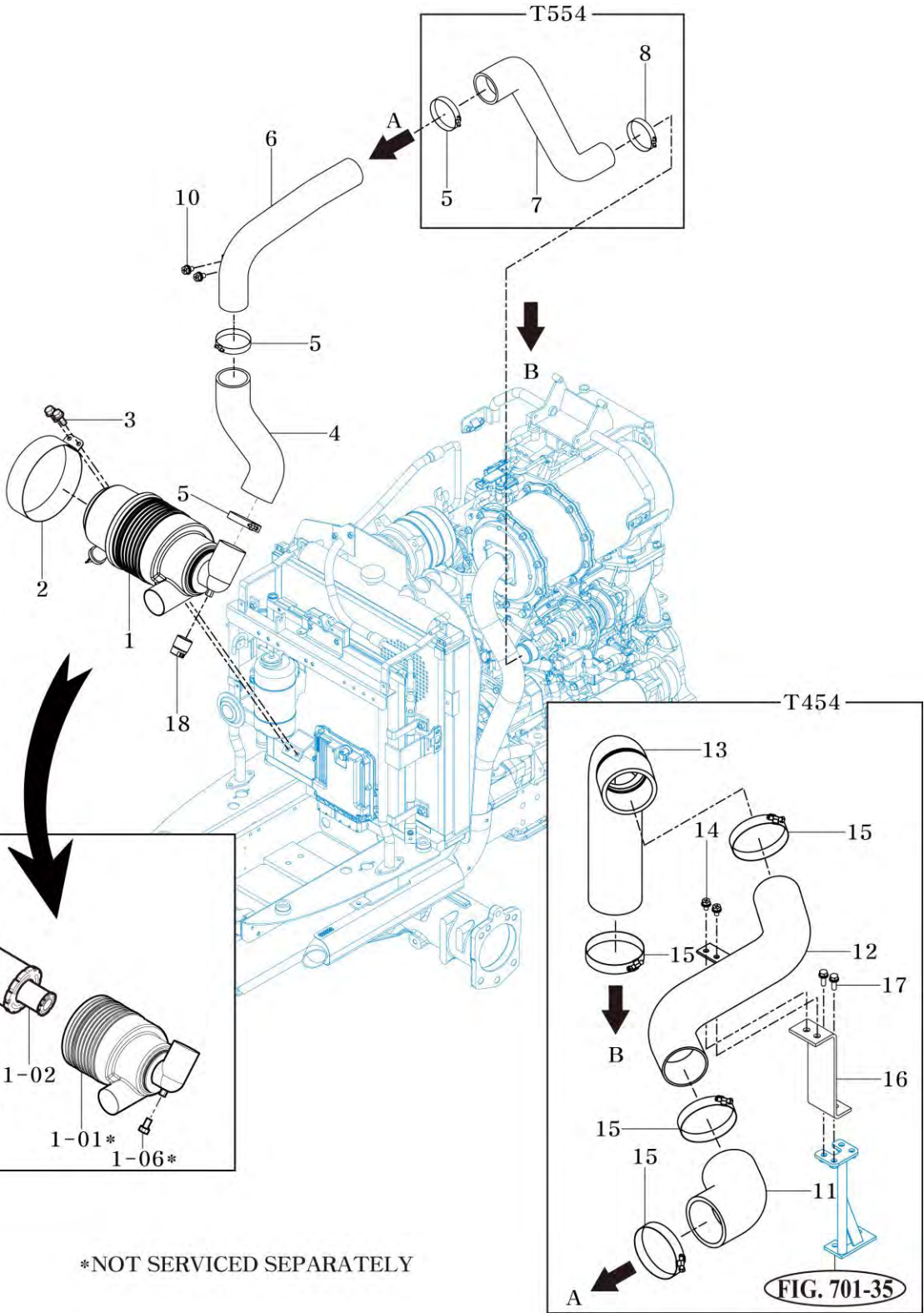
P1

Year / Month

2014 / 04



T554NH / T554SH / T454NH



\*NOT SERVICED SEPARATELY

FIG. 701-35

NOTE

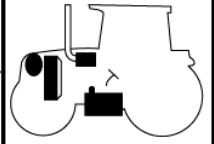
FIG 202

RADIATOR

P1

Year / Month

2014 / 04



T554NH / T554SH / T454NH

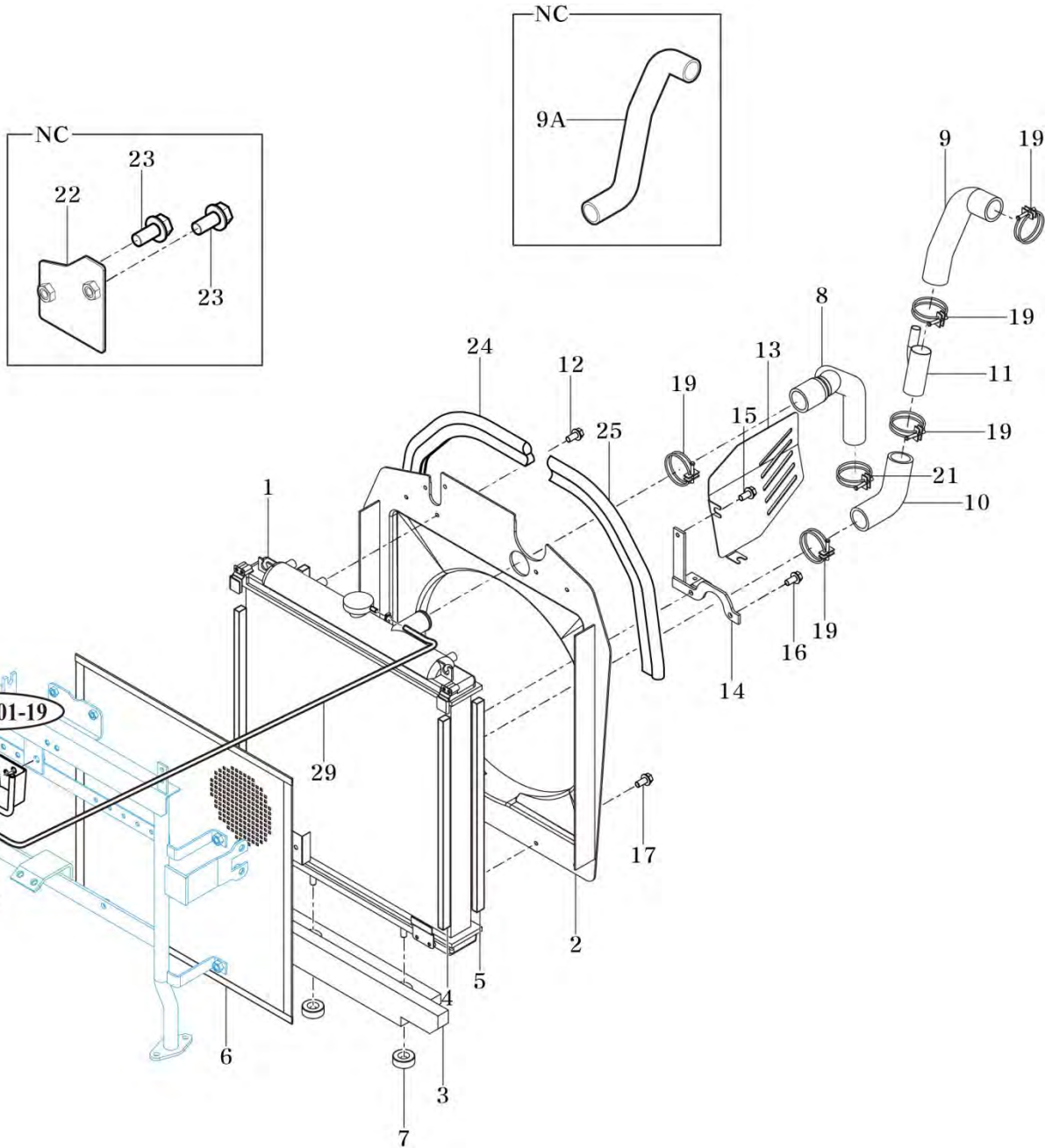


FIG. 701-19

NOTE



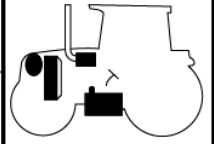
# FIG 203

# MUFFLER

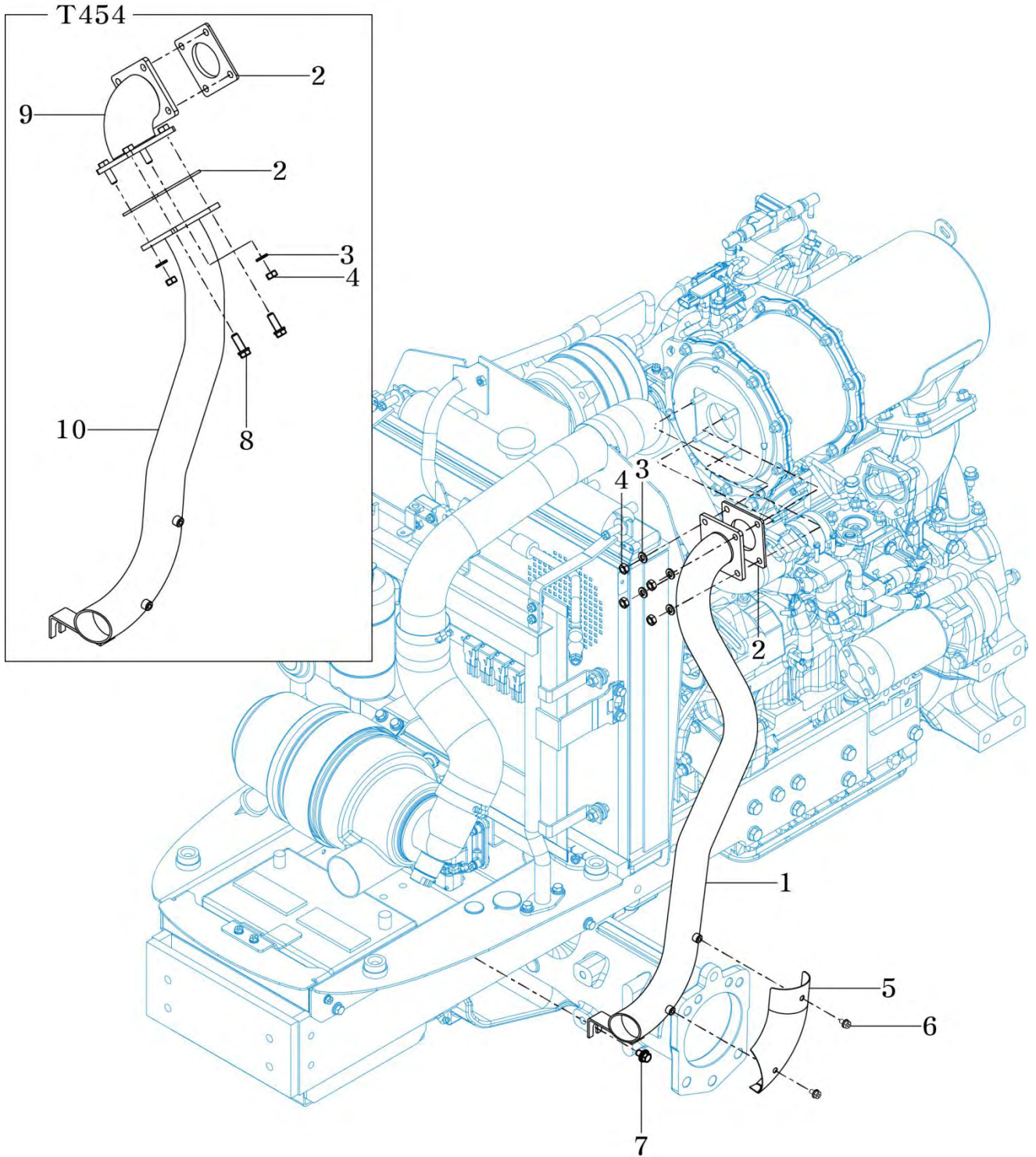
P1

Year / Month

2014 / 04



T554NH / T554SH / T454NH



NOTE

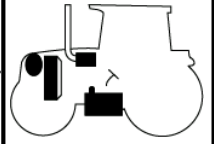
# FIG 204

# FUEL HOSE & FILTER

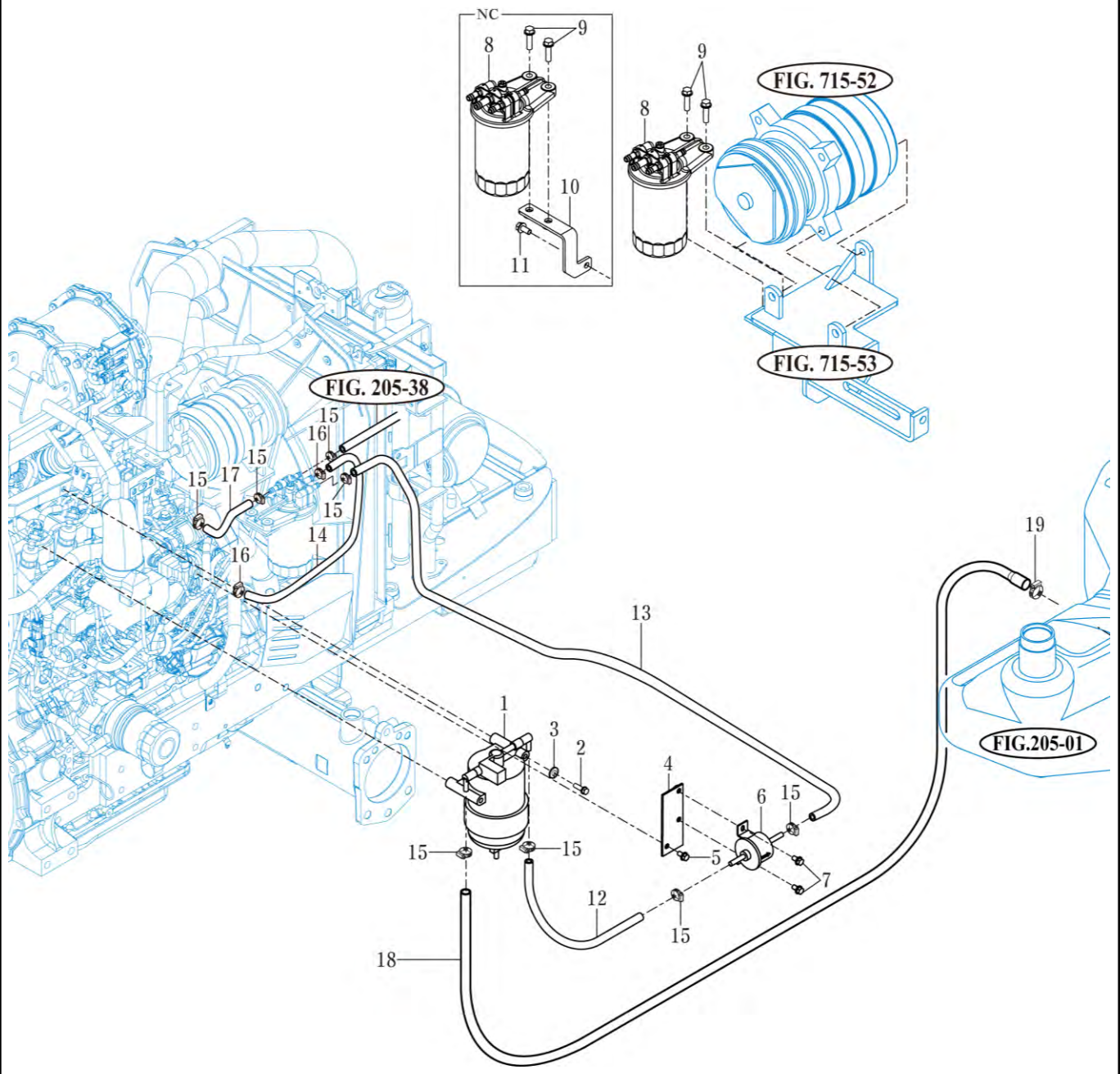
P1

Year / Month

2014 / 04



T554NH / T554SH / T454NH



NOTE

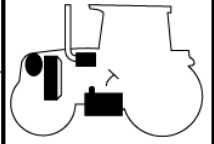
# FIG 205

# FUEL TANK

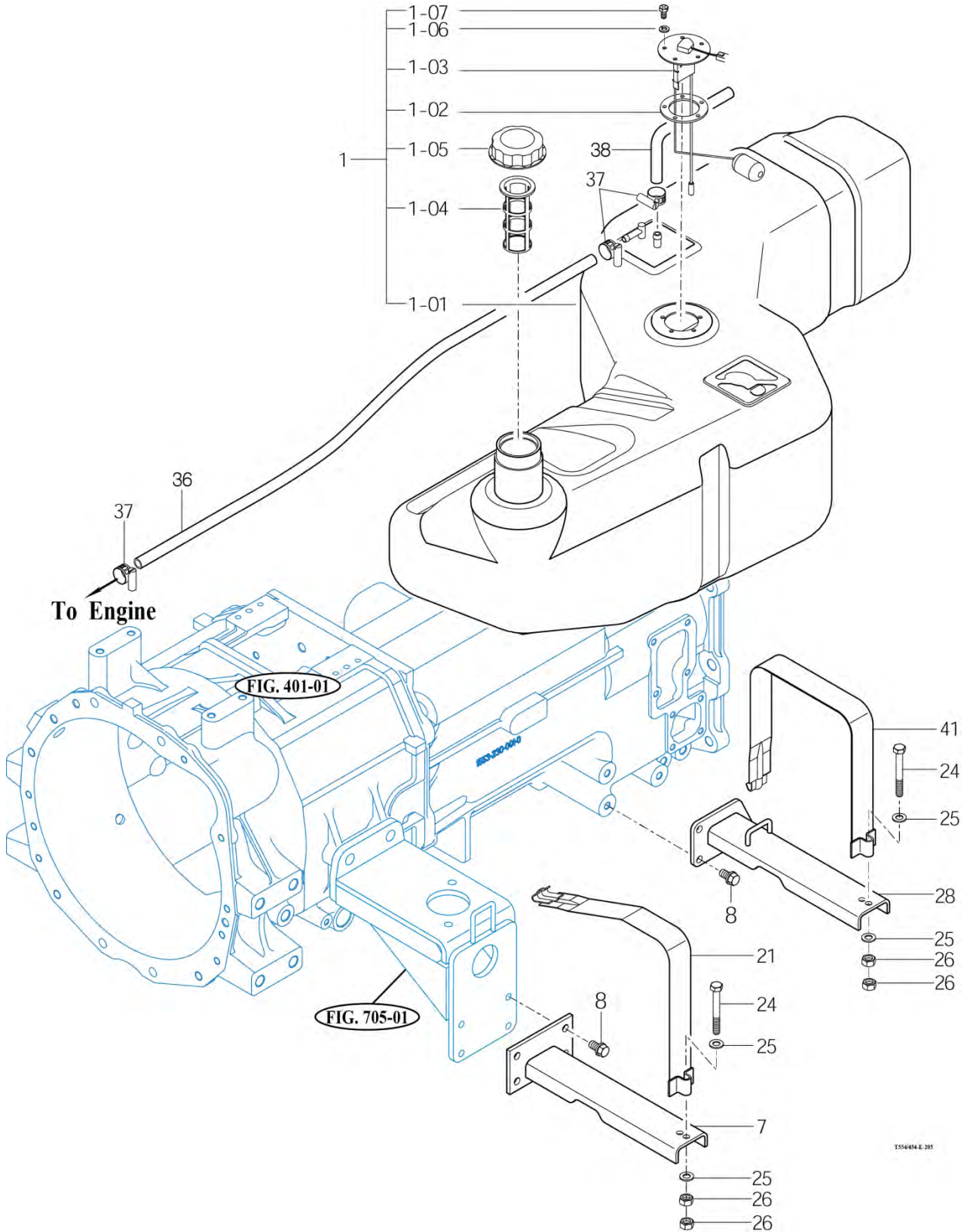
P1

Year / Month

2014 / 04



T554NH / T554SH / T454NH



NOTE



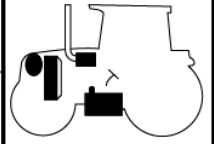
# FIG 206

# ACCELERATOR

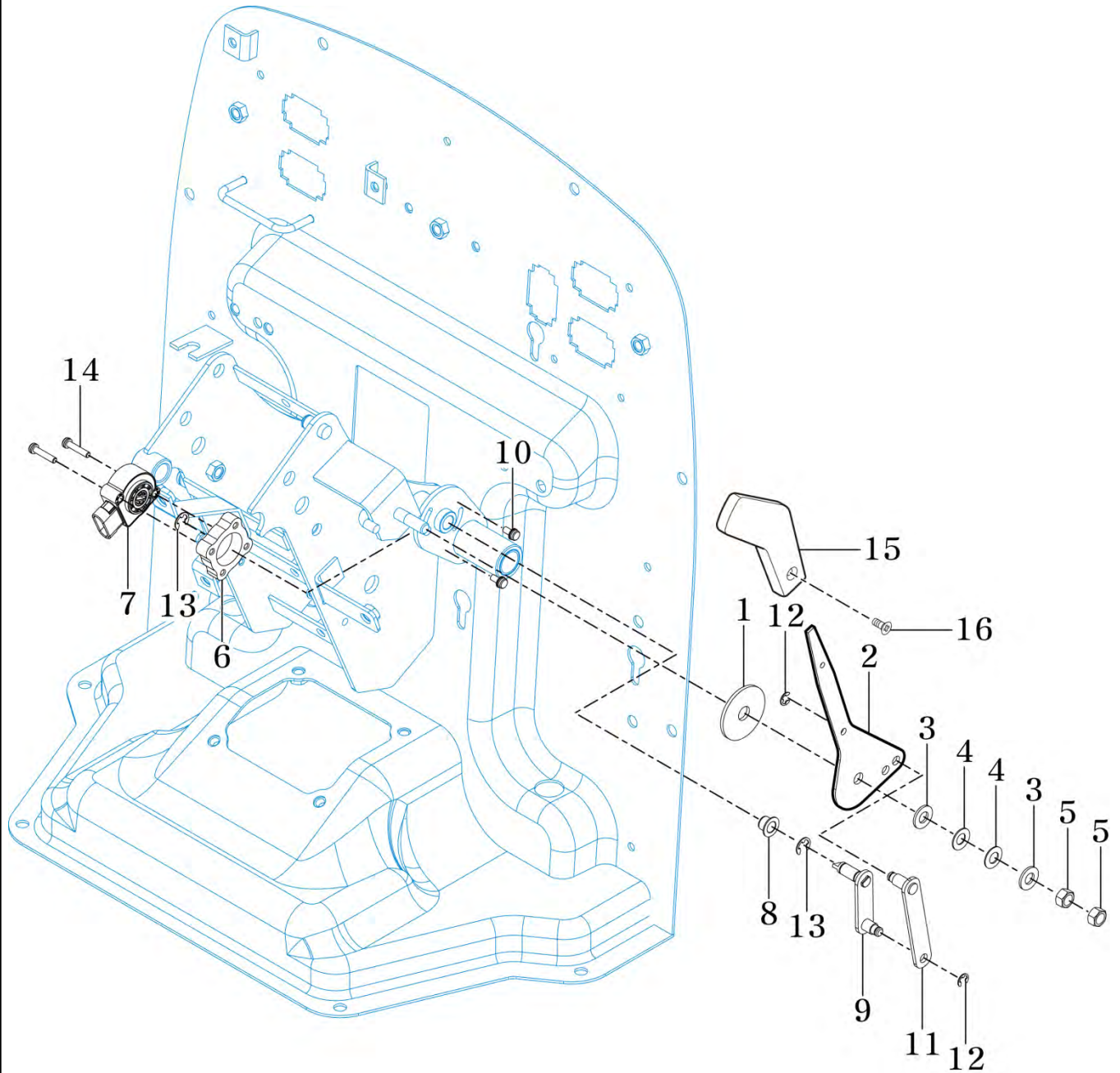
P1

Year / Month

2014 / 04



T554NH / T554SH / T454NH



NOTE

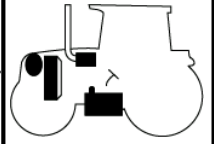
# FIG 207

# OIL COOLER

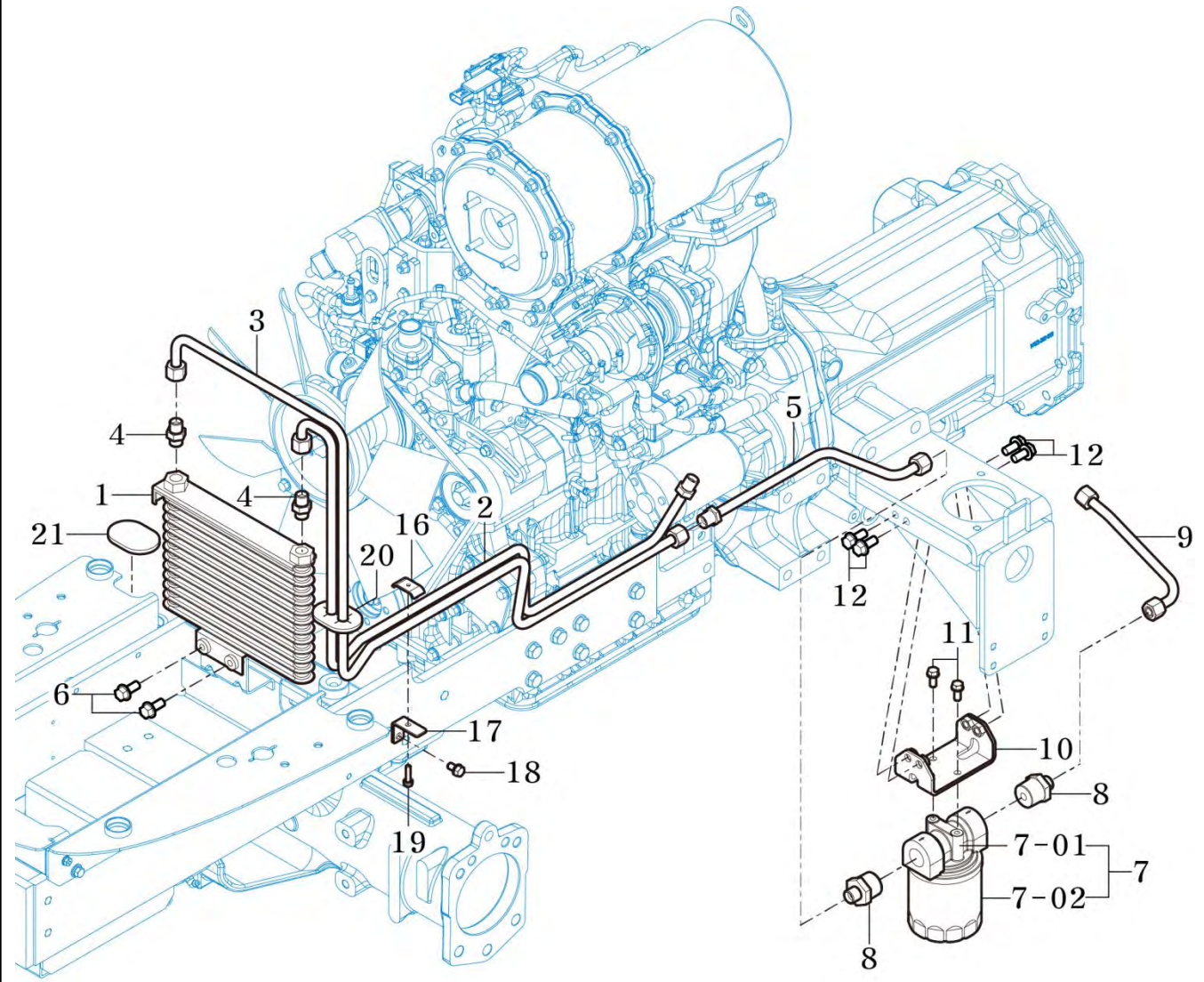
P1

Year / Month

2014 / 04



T554NH / T554SH / T454NH



T554/T454-E-207

NOTE

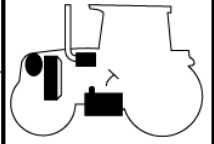
# FIG 208

# FAN , COOLING

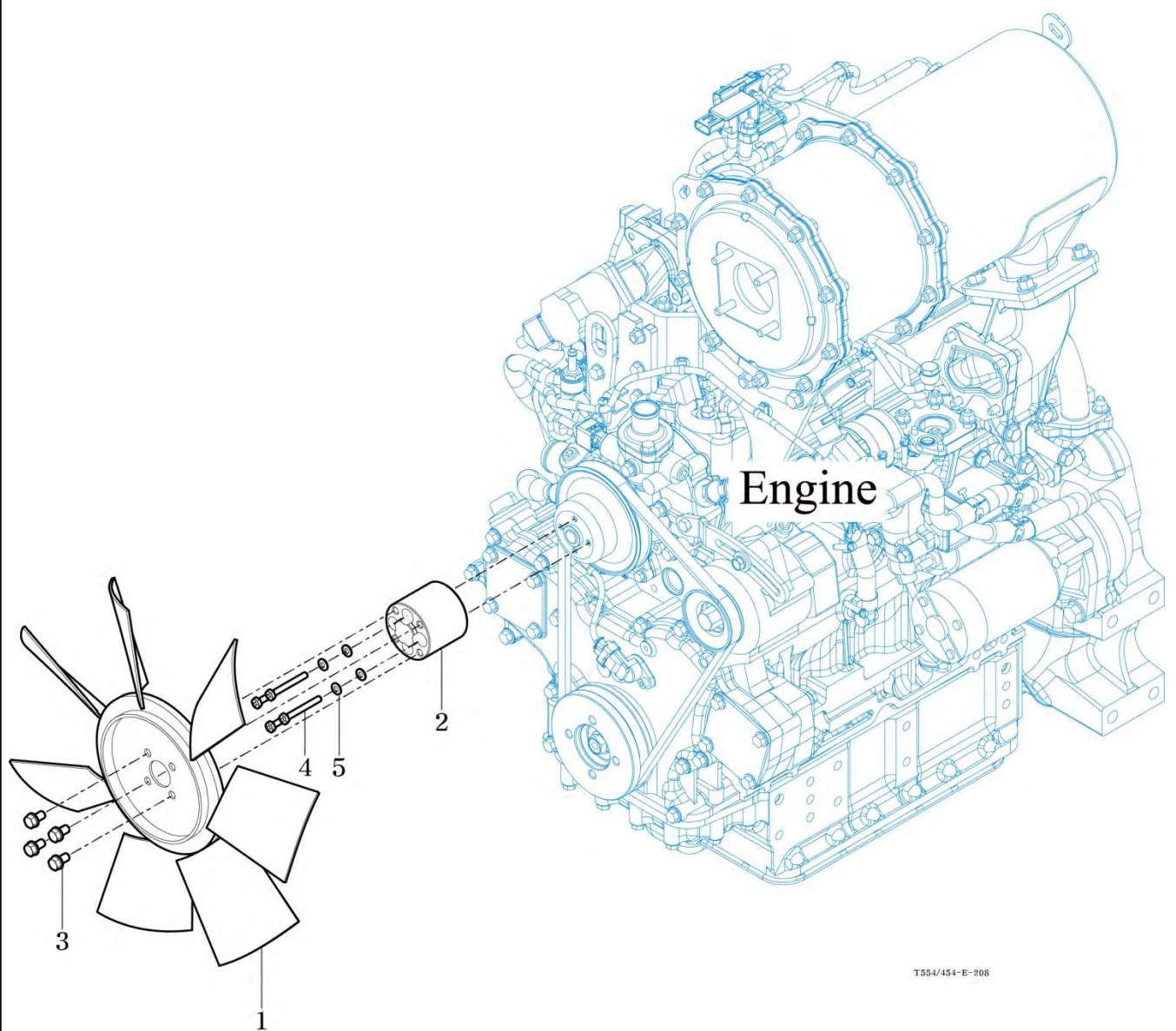
P1

Year / Month

2014 / 04



T554NH / T554SH / T454NH



T554/454-E-208

NOTE



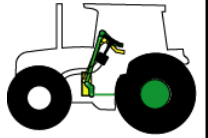
FIG 301

CLUTCH

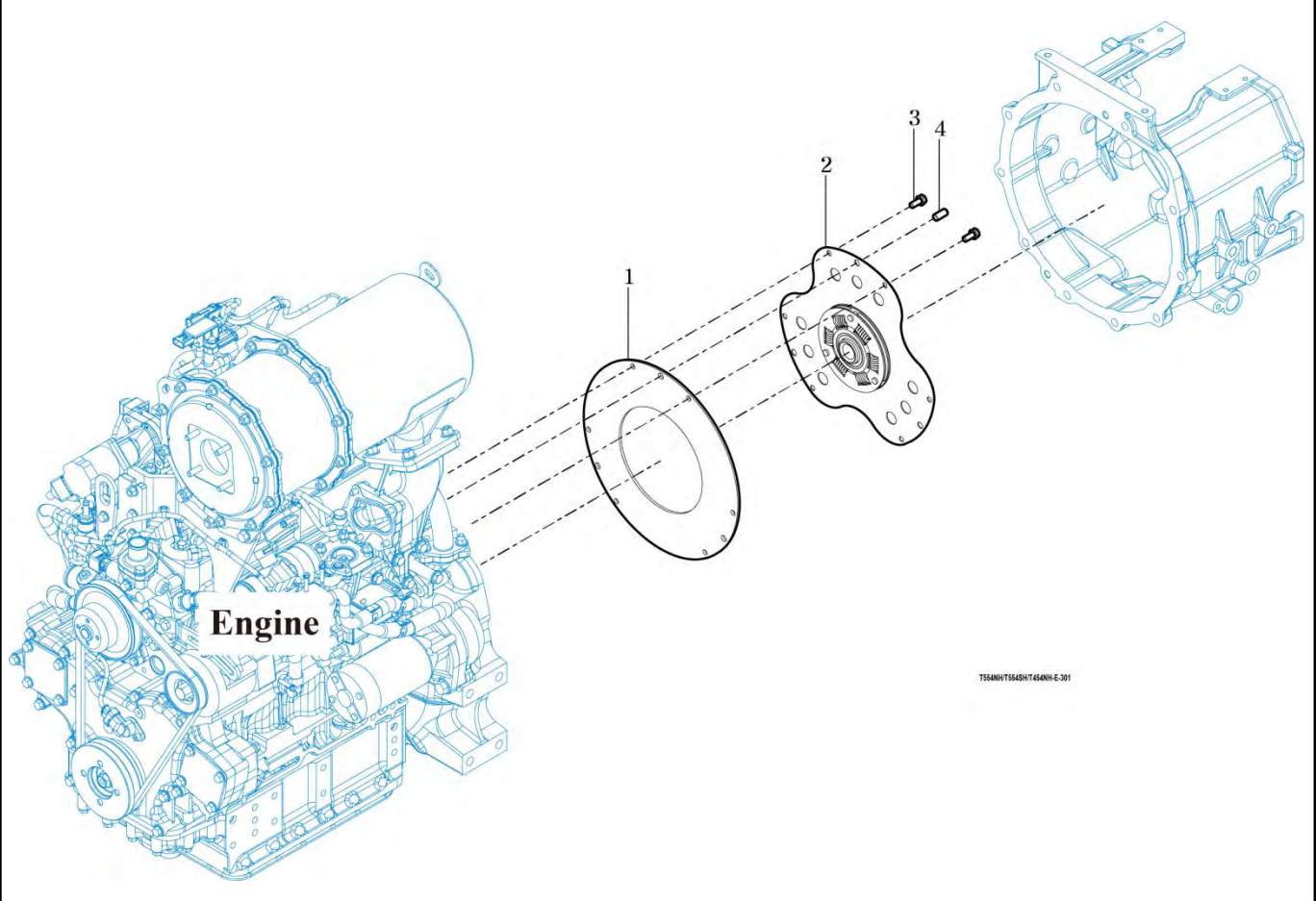
P1

Year / Month

2014 / 04



T554NH / T554SH / T454NH



T554NH/T554SH/T454NH-E-301

NOTE

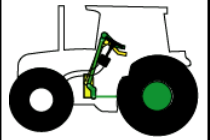
# FIG 302

# CLUTCH PEDAL

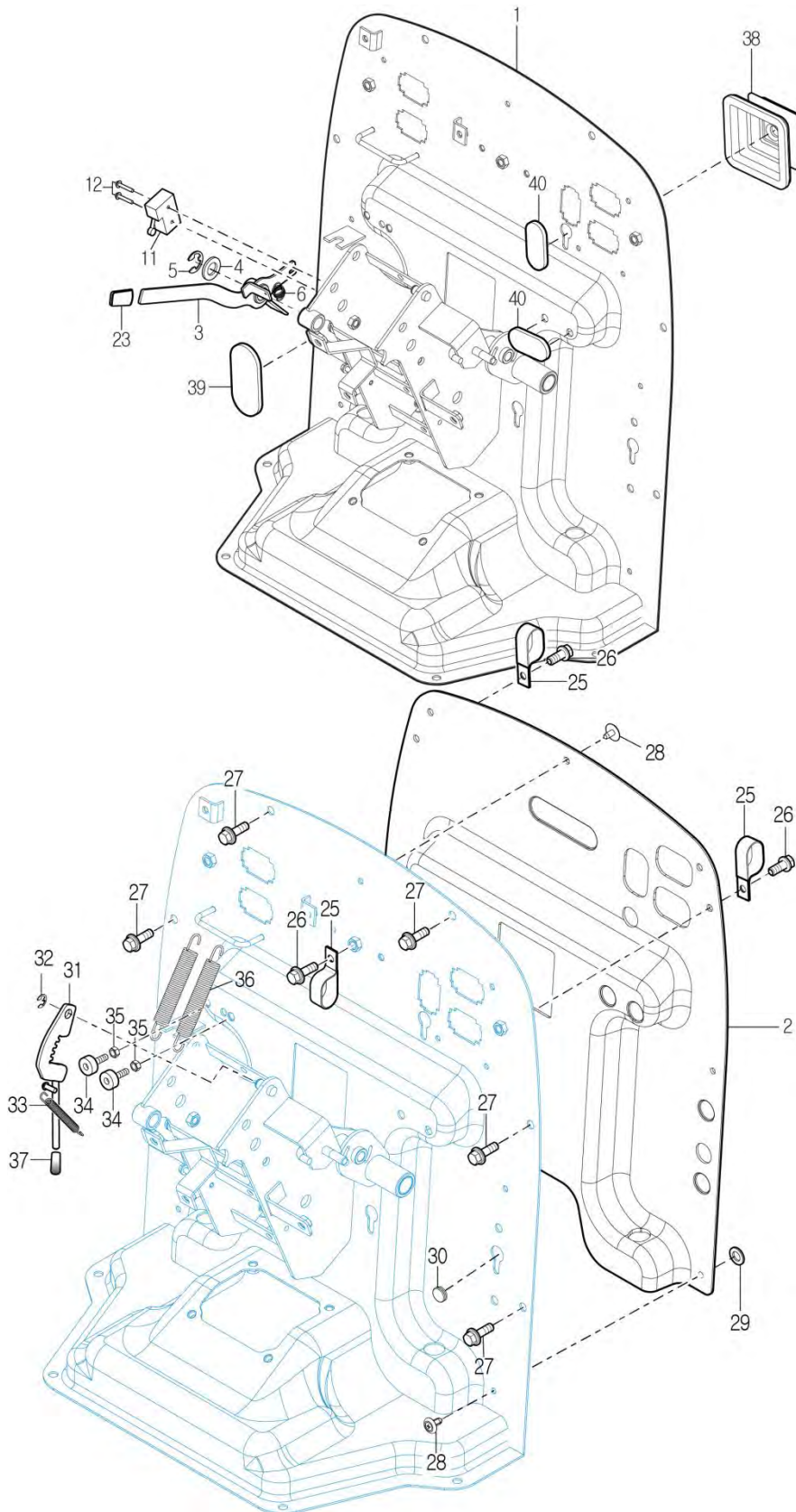
P1

Year / Month

2014 / 04



T554NH / T554SH / T454NH



NOTE







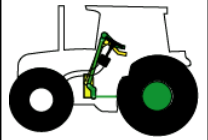
FIG 305A

FRONT WHEEL

P1

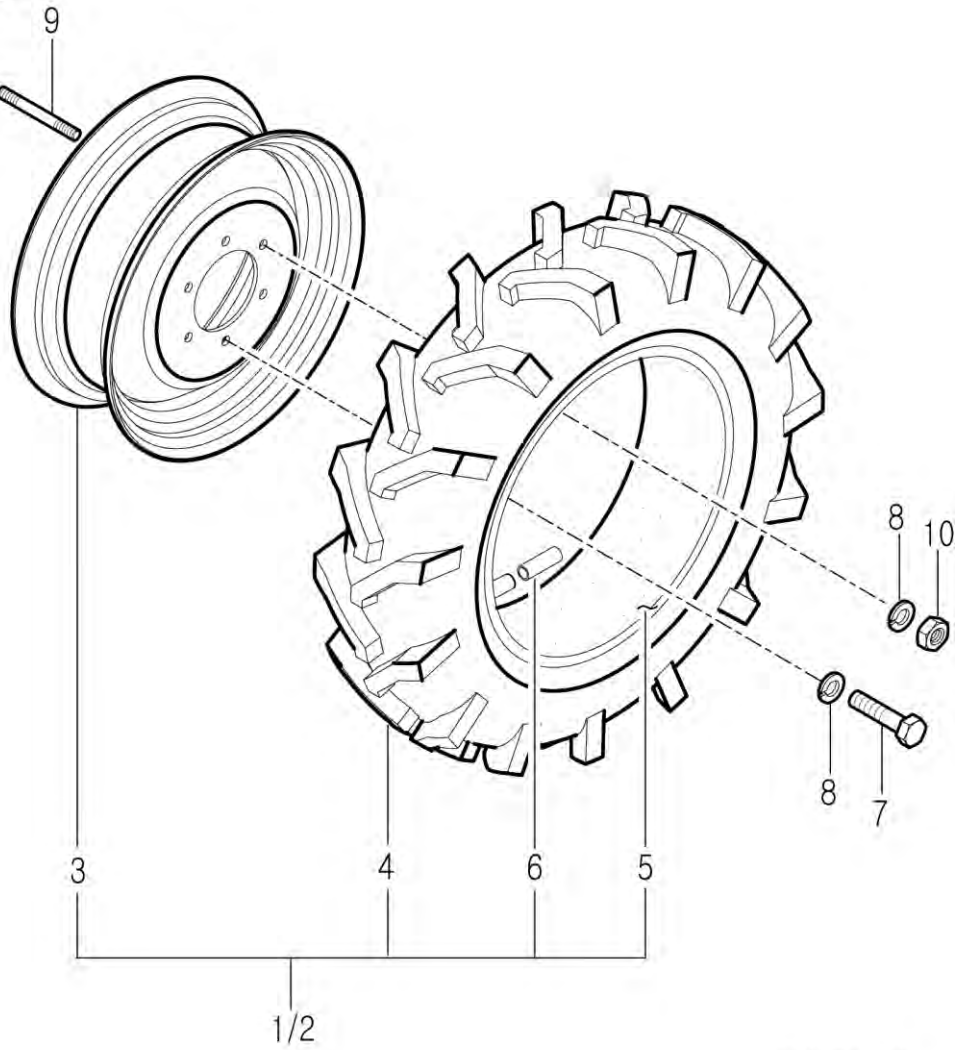
Year / Month

2014 / 04



T554NH / T554SH / T454NH

FIG. 507-034



T503HST-E-305A

NOTE



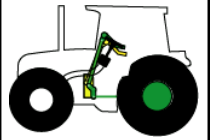
FIG 305B

FRONT WHEEL (R4 OPTION)

P1

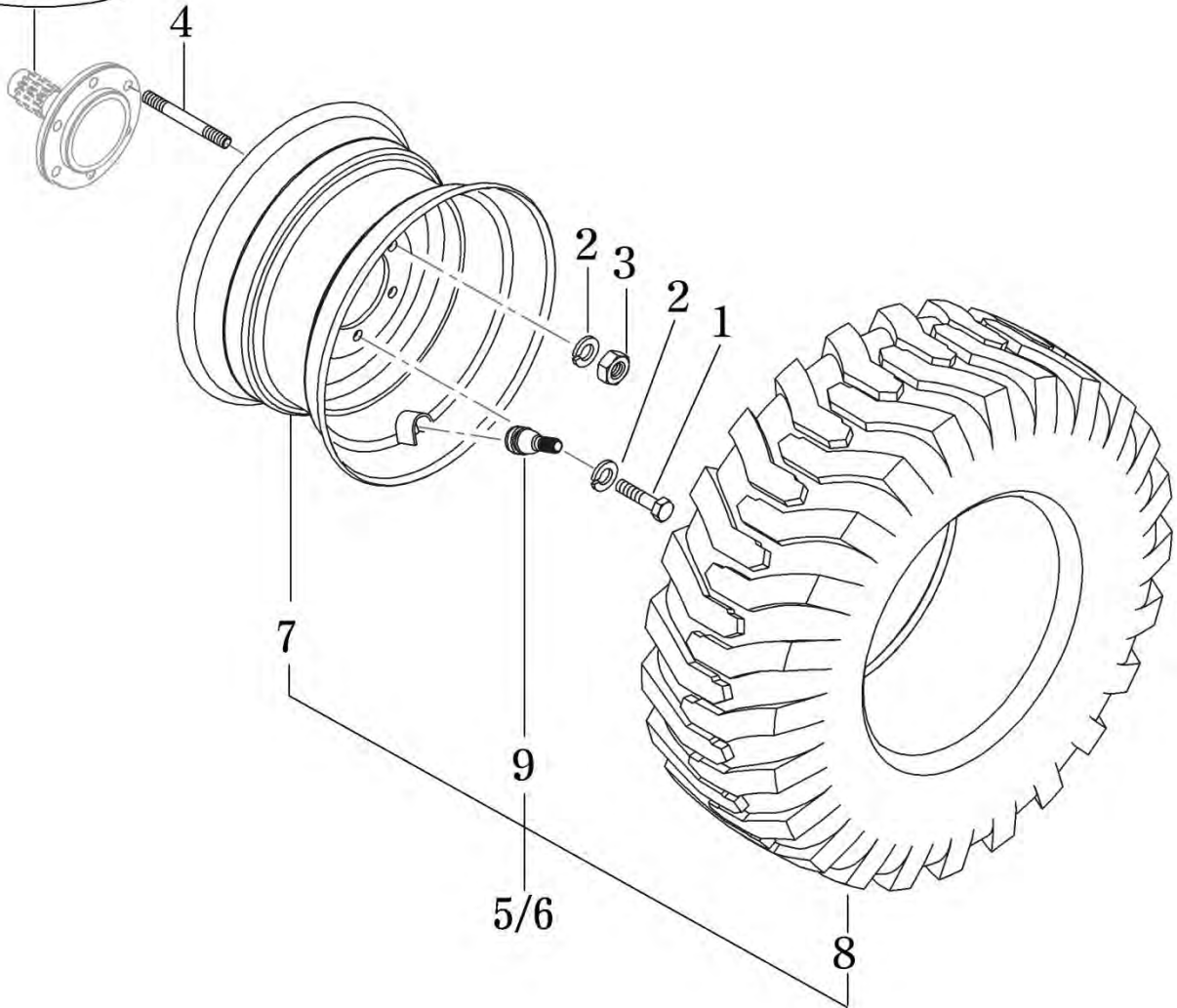
Year / Month

2014 / 04



T554NH / T554SH / T454NH

FIG. 506-34



T503-E-305C

NOTE

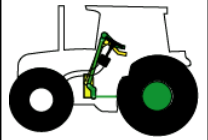
FIG 306A

REAR WHEEL

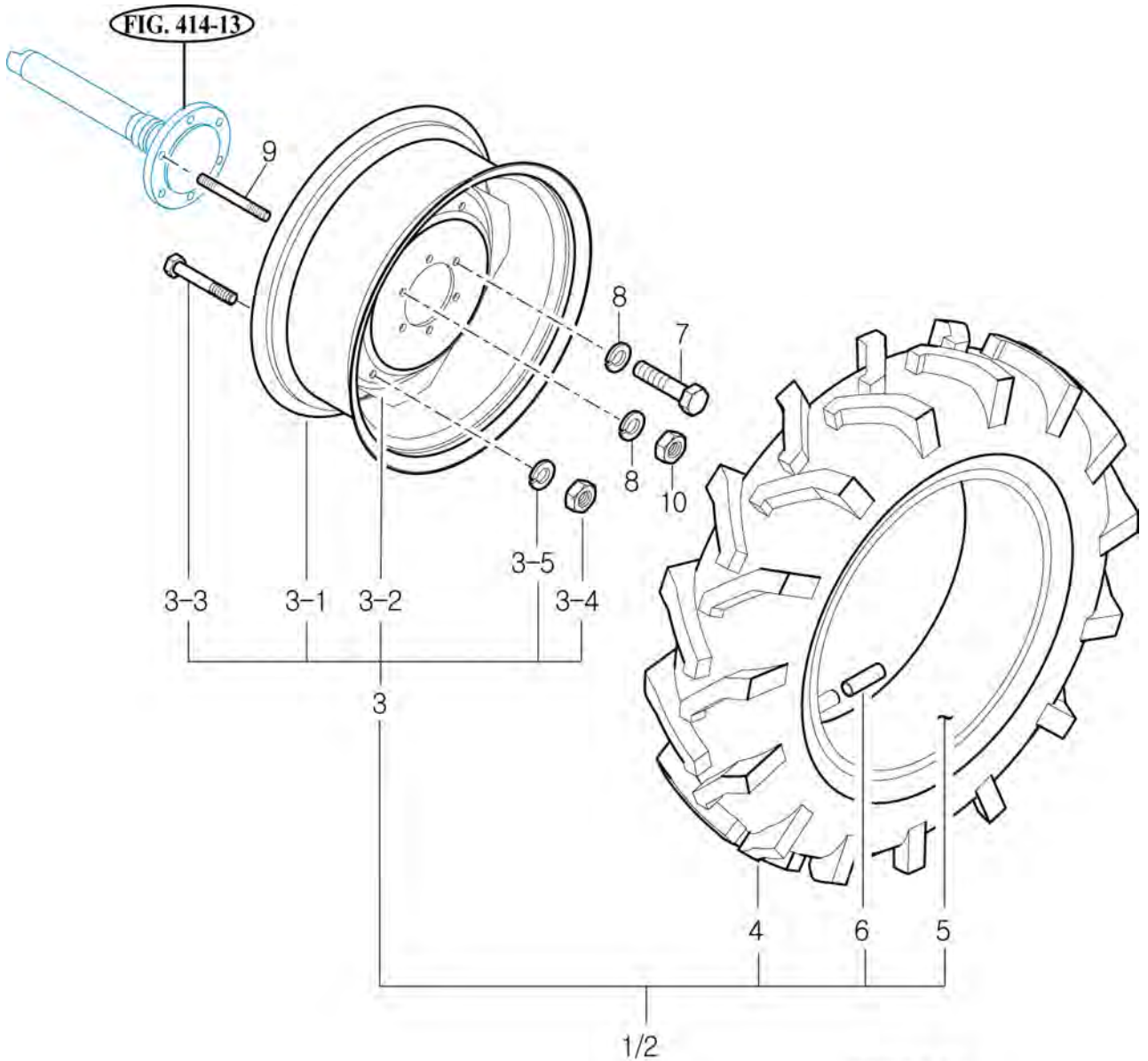
P1

Year / Month

2014 / 04



T554NH / T554SH / T454NH



T503HST-E-306A

NOTE

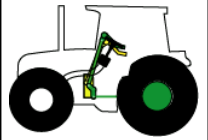
FIG 306B

REAR WHEEL (R4 OPTION)

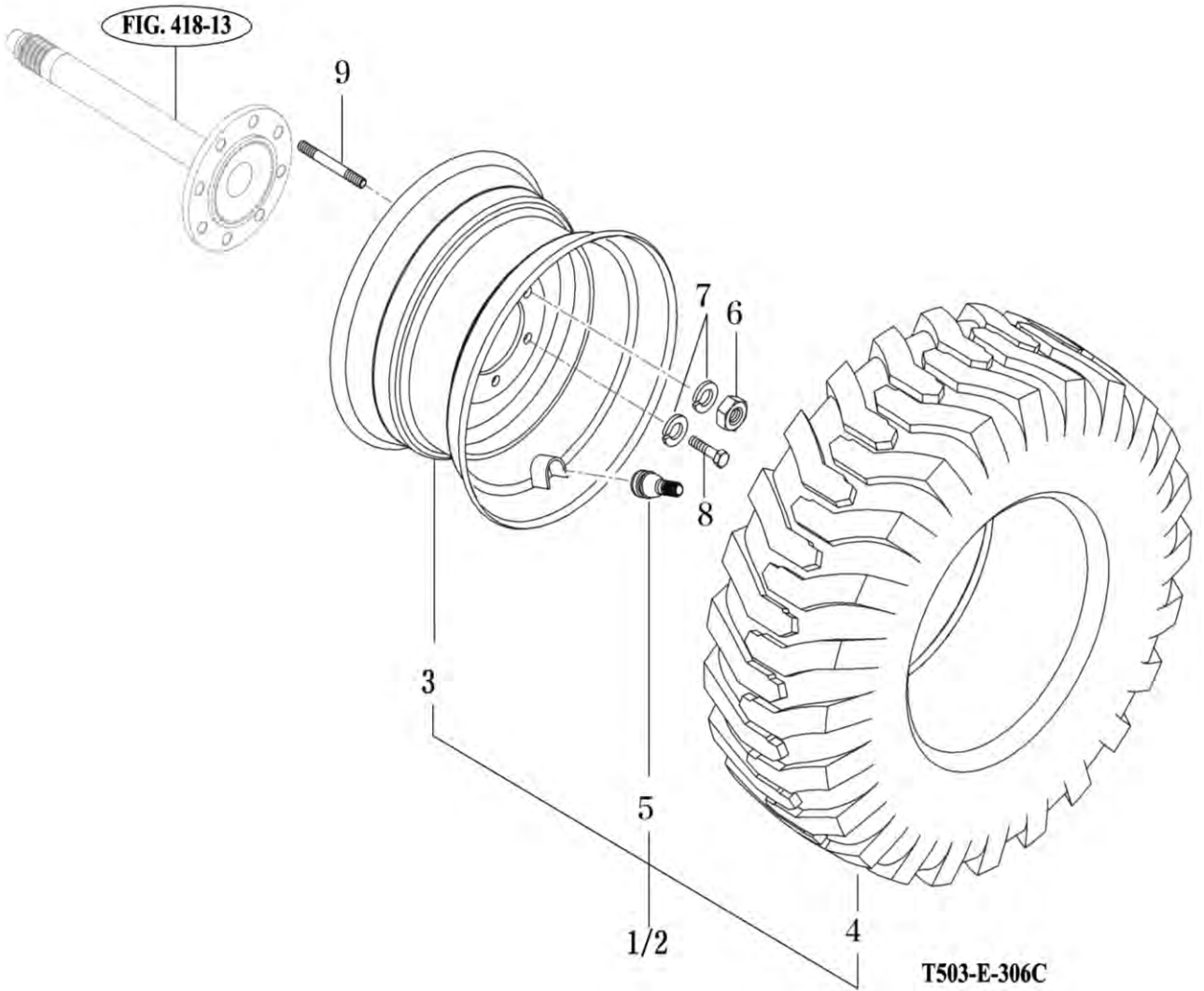
P1

Year / Month

2014 / 04



T554NH / T554SH / T454NH



NOTE

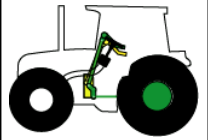
# FIG 307

# POWER STEERING WHEEL

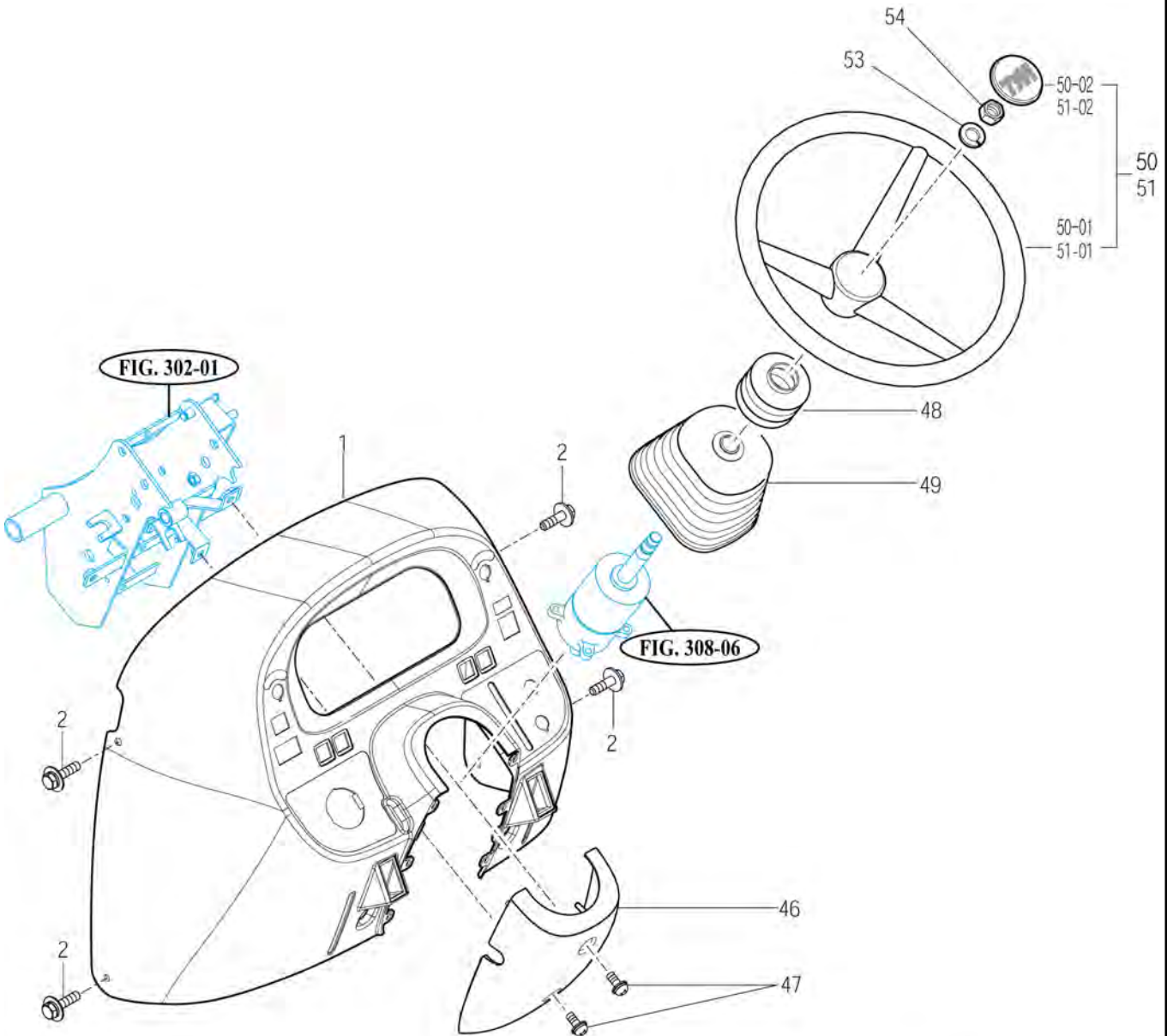
P1

Year / Month

2014 / 04



T554NH / T554SH / T454NH



154-8543-307

NOTE





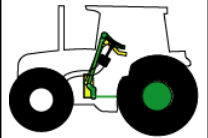
# FIG 309

# POWER STEERING CYLINDER

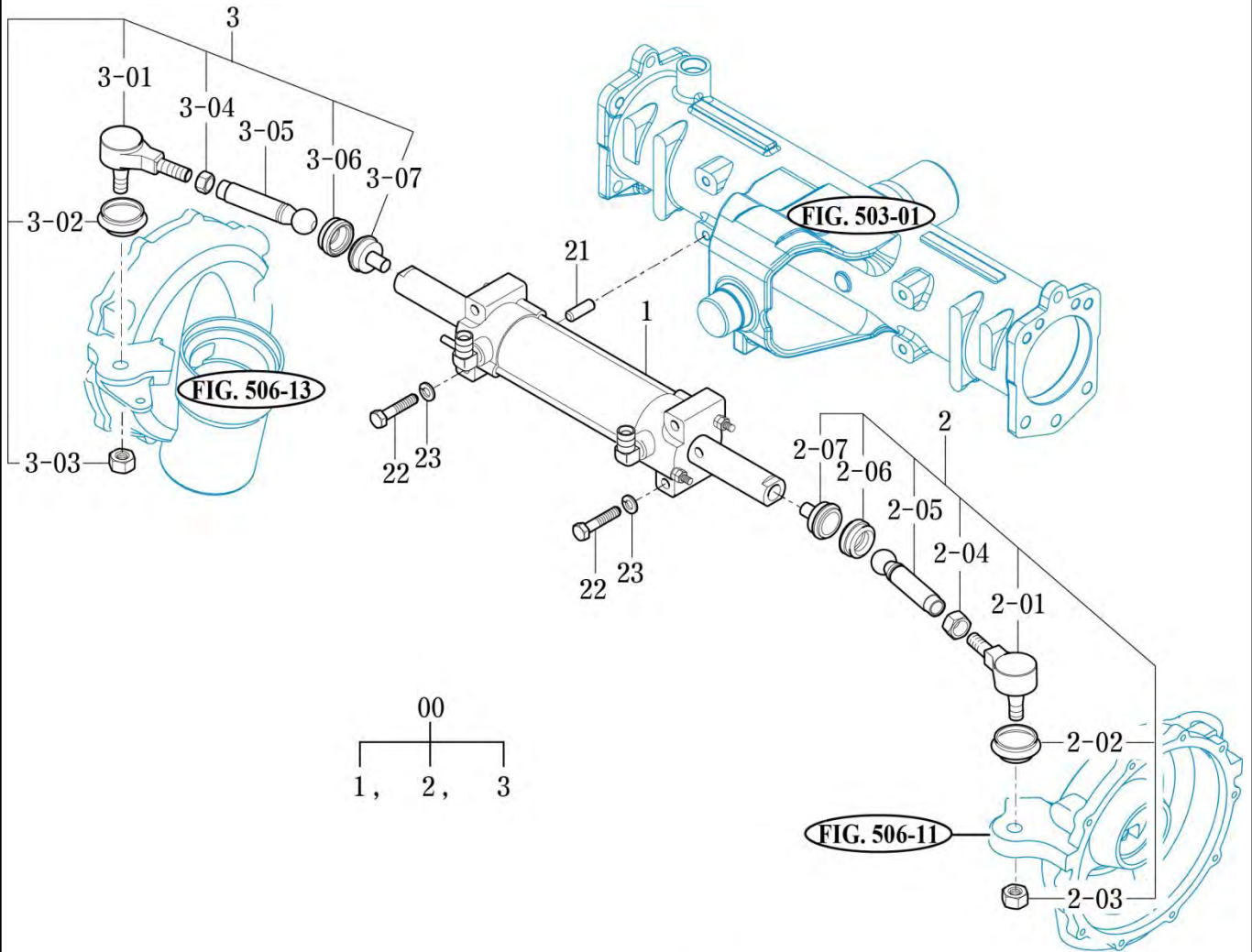
P1

Year / Month

2014 / 04



T554NH / T554SH / T454NH



T554NH/T554SH/T454NH-E-309

NOTE

# FIG 401

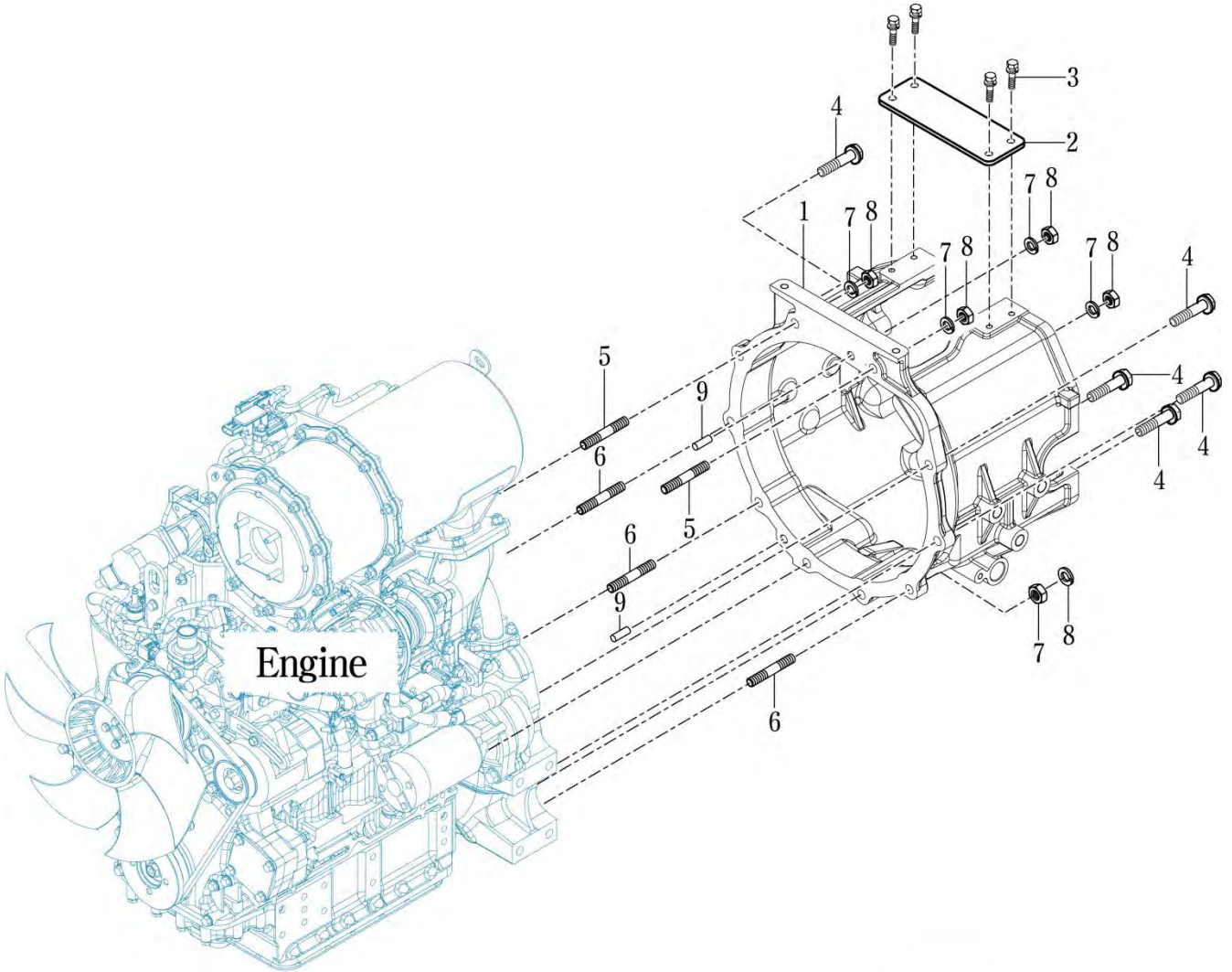
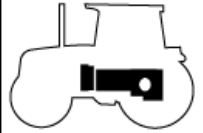
# TRANSMISSION FRONT CASE

T554NH / T554SH / T454NH

P1

Year / Month

2014 / 04



T554NH/T554SH/T454NH-E-01

NOTE

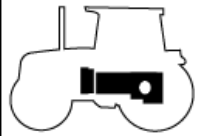
# FIG 402

# HST

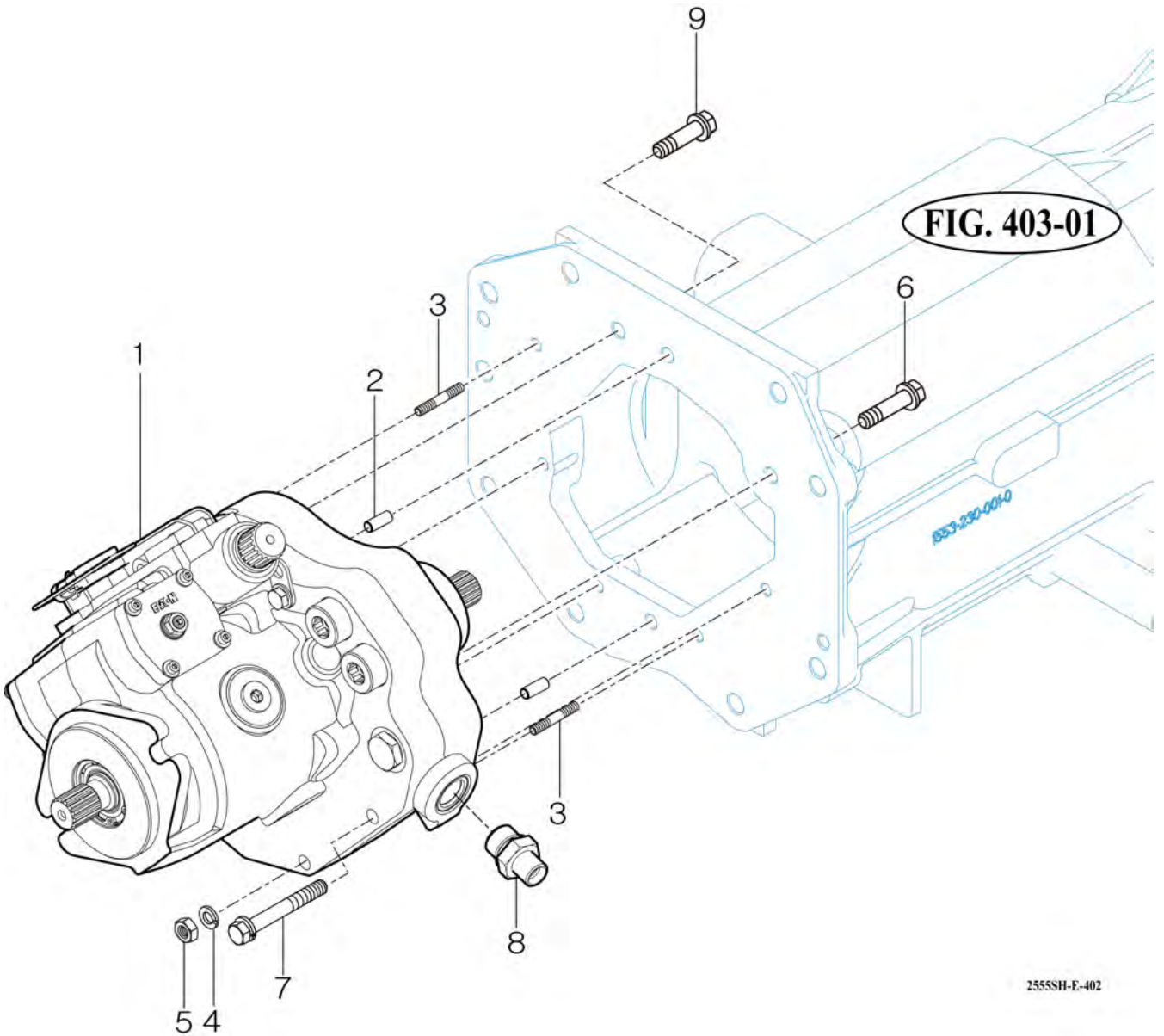
P1

Year / Month

2014 / 04



T554NH / T554SH / T454NH



NOTE



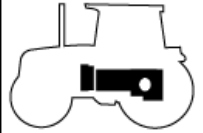
# FIG 403

# MID TRANSMISSION CASE

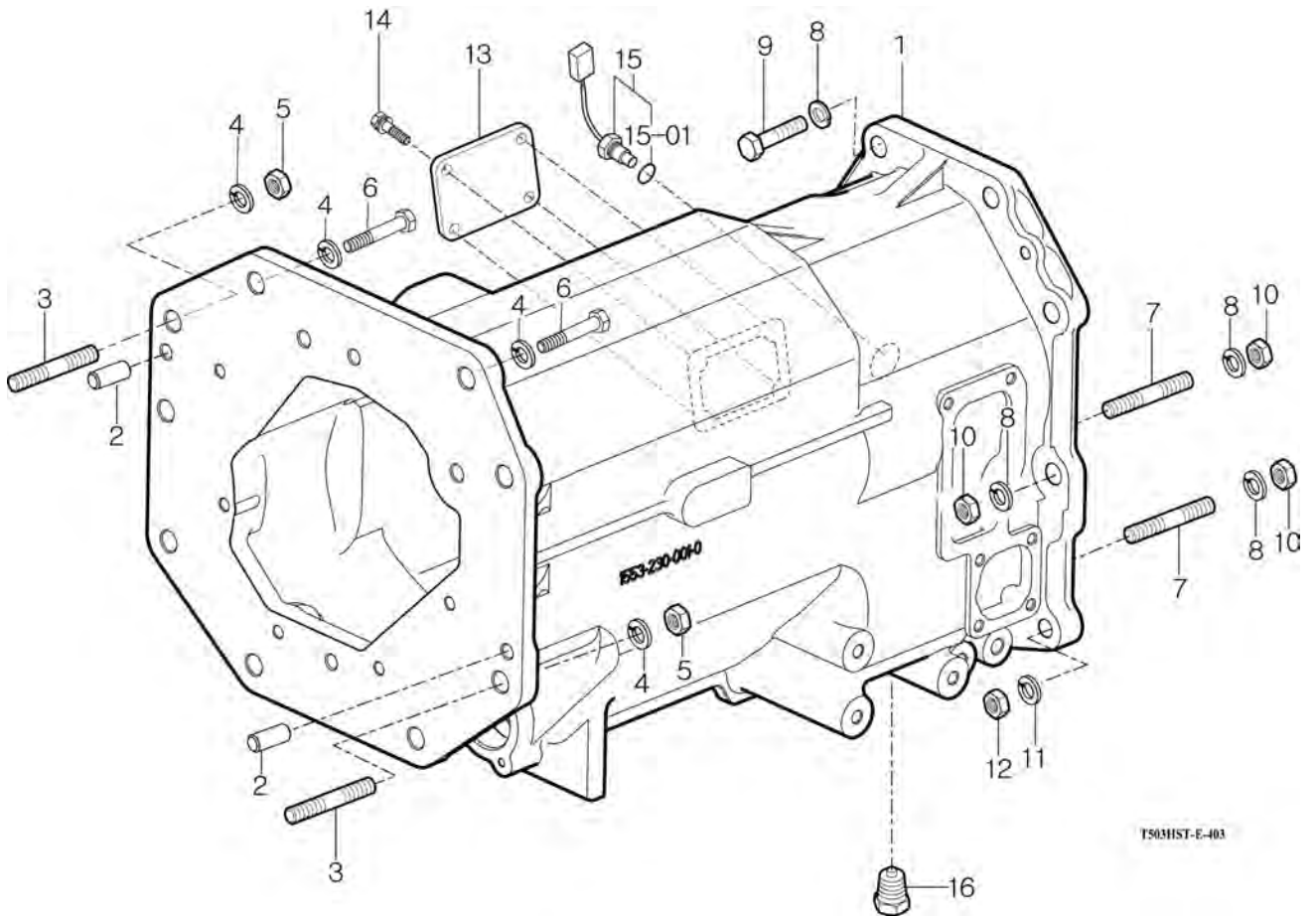
P1

Year / Month

2014 / 04



T554NH / T554SH / T454NH



NOTE

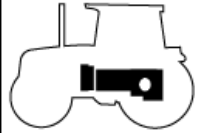
# FIG 404

# TRANSFER GEAR SET

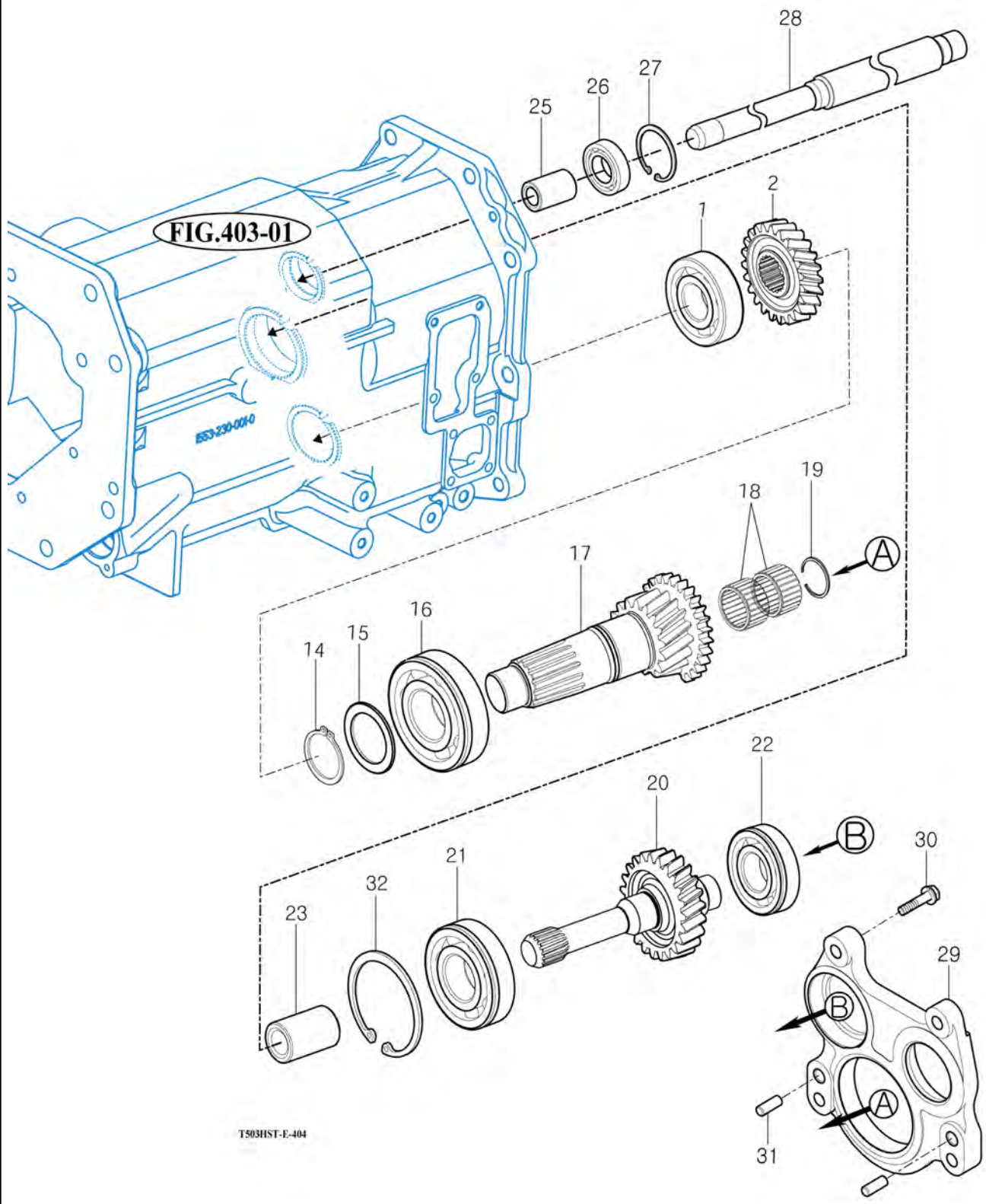
P1

Year / Month

2014 / 04



T554NH / T554SH / T454NH



T503HST-E-404

NOTE

# FIG 405

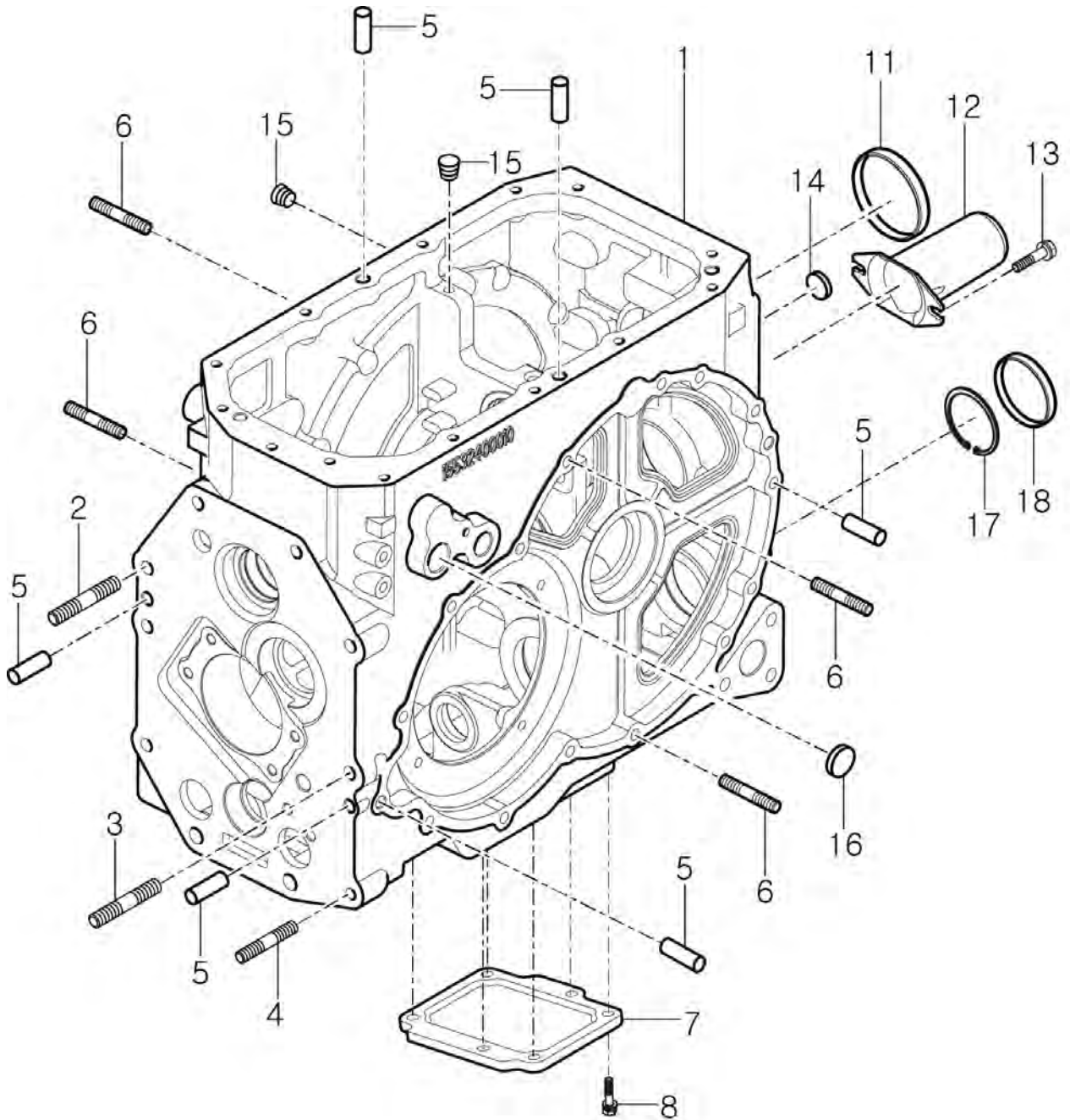
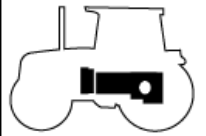
# TRANSMISSION REAR CASE

T554NH / T554SH / T454NH

P1

Year / Month

2014 / 04



T503HST-E-405

NOTE

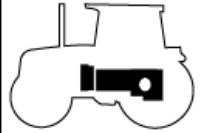
# FIG 406

# SUB CHANGE GEARS

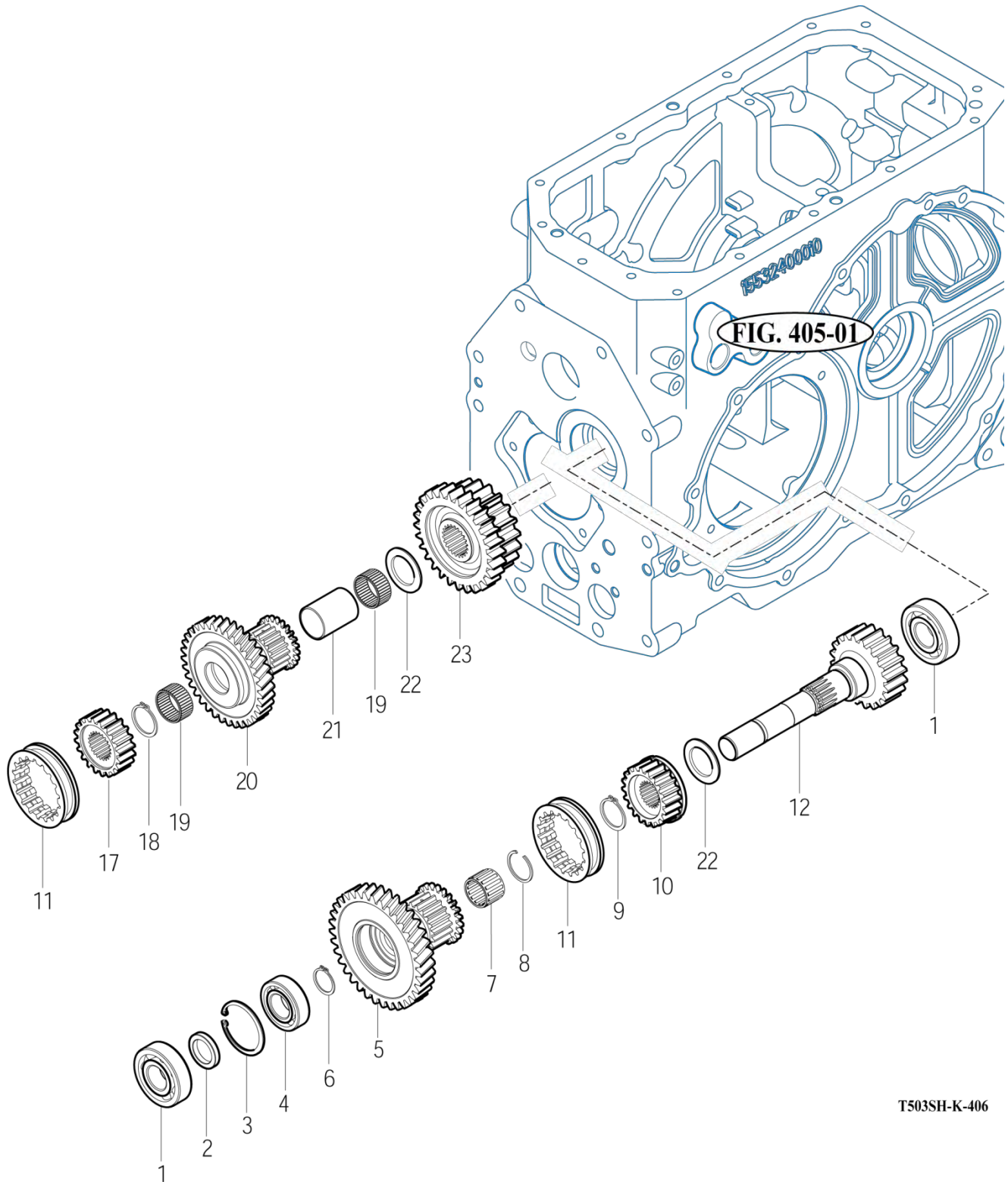
P1

Year / Month

2014 / 04



T554NH / T554SH / T454NH



T503SH-K-406

NOTE

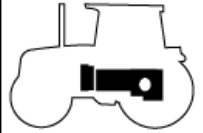
# FIG 407

# SUB CHANGE SHIFTER

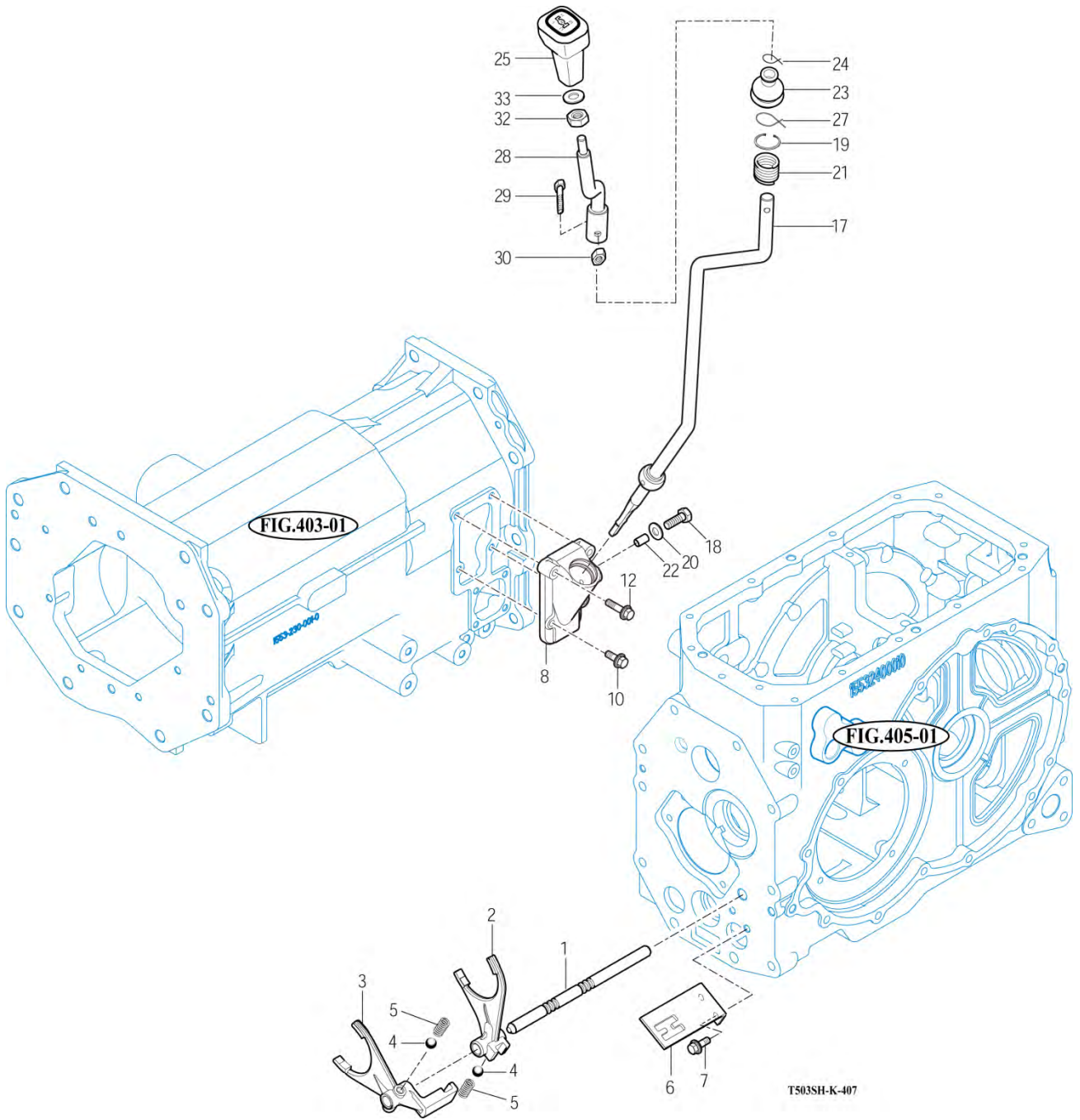
P1

Year / Month

2014 / 04



T554NH / T554SH / T454NH



T503SH-K-407

NOTE



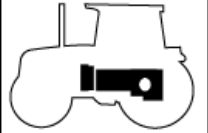
# FIG 408

# DRIVE GEARS

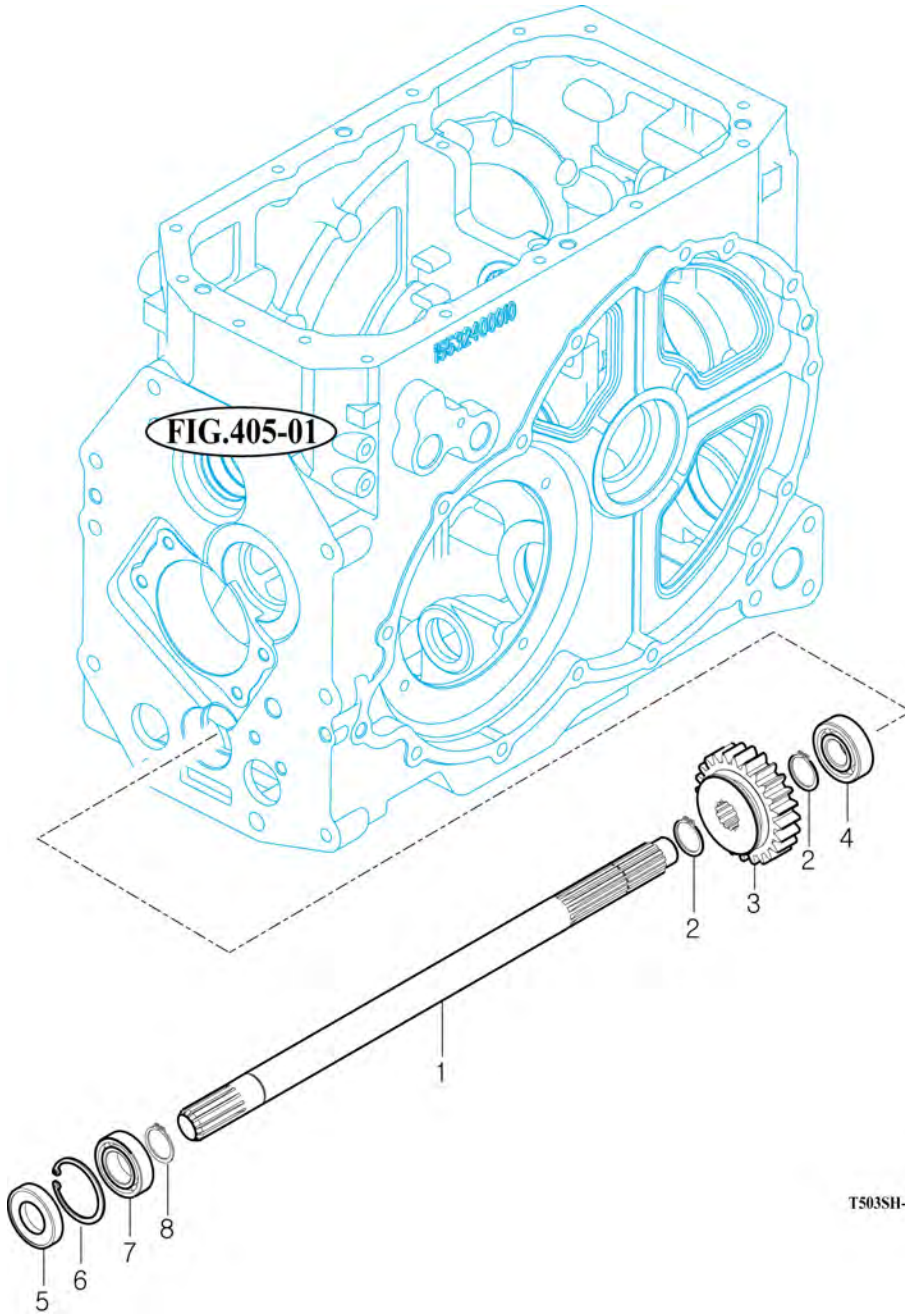
P1

Year / Month

2014 / 04



T554NH / T554SH / T454NH



NOTE

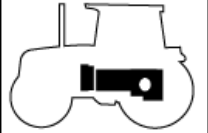
# FIG 409

# 4WD CHANGE LEVER

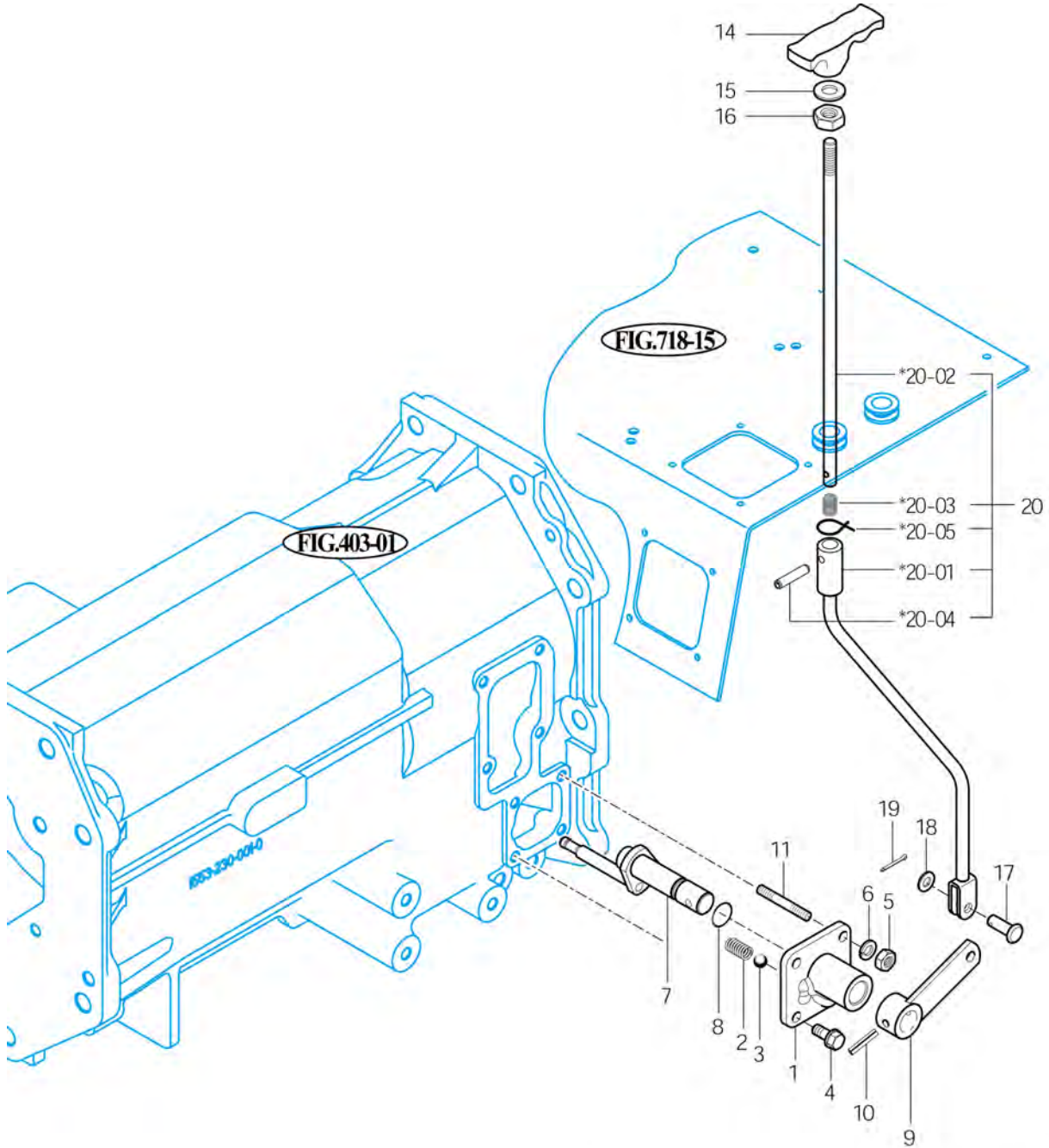
P1

Year / Month

2014 / 04



T554NH / T554SH / T454NH



\*NOT SERVICED SEPARATELY

T503SH-E-409

NOTE

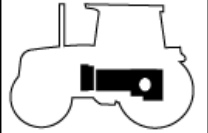
# FIG 410

# P.T.O DRIVE SHAFT

P1

Year / Month

2014 / 04



T554NH / T554SH / T454NH

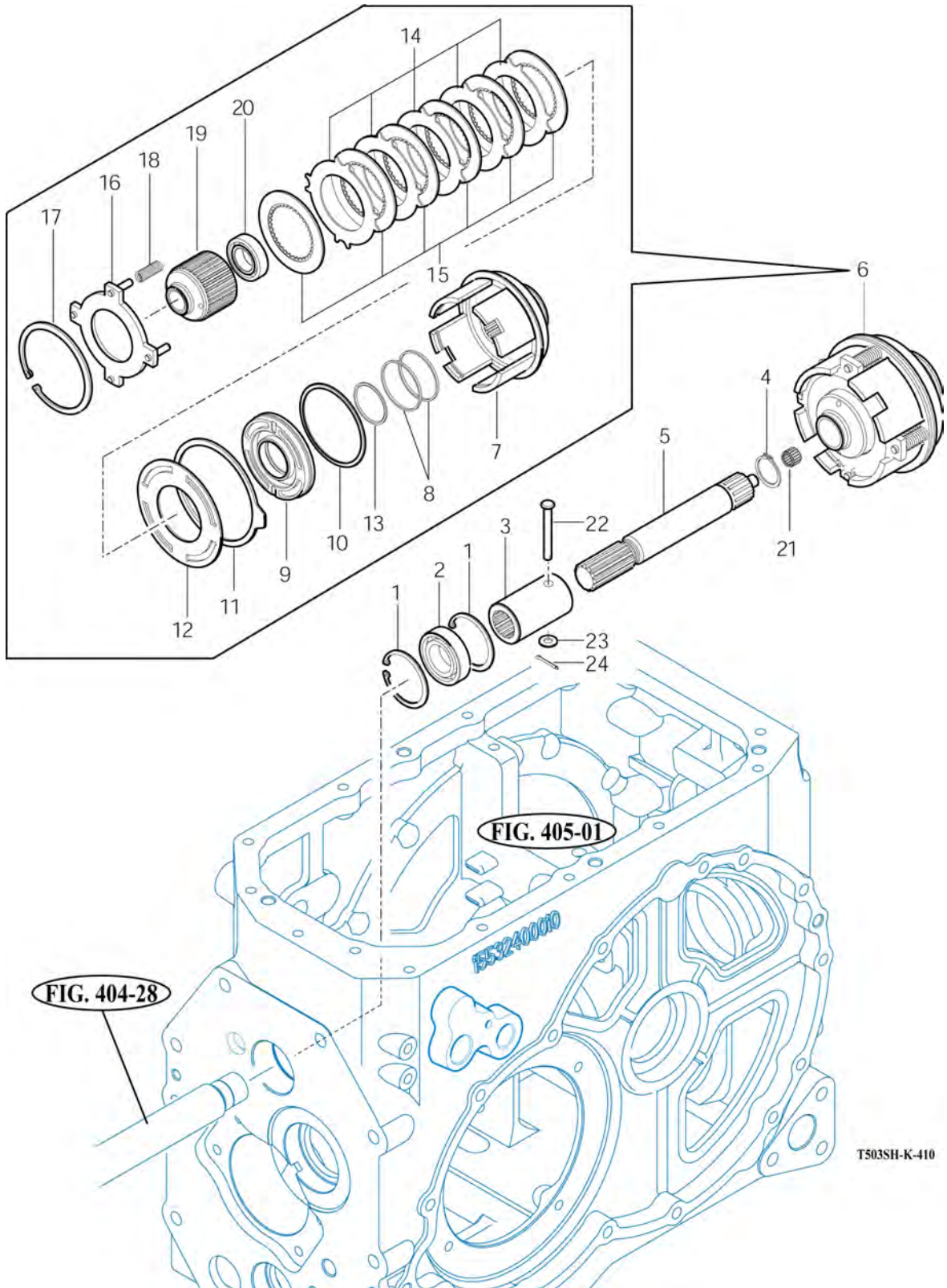


FIG. 404-28

FIG. 405-01

T55240000

T503SH-K-410

NOTE



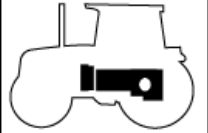
# FIG 411

# P.T.O CHANGE GEARS

P1

Year / Month

2014 / 04



T554NH / T554SH / T454NH

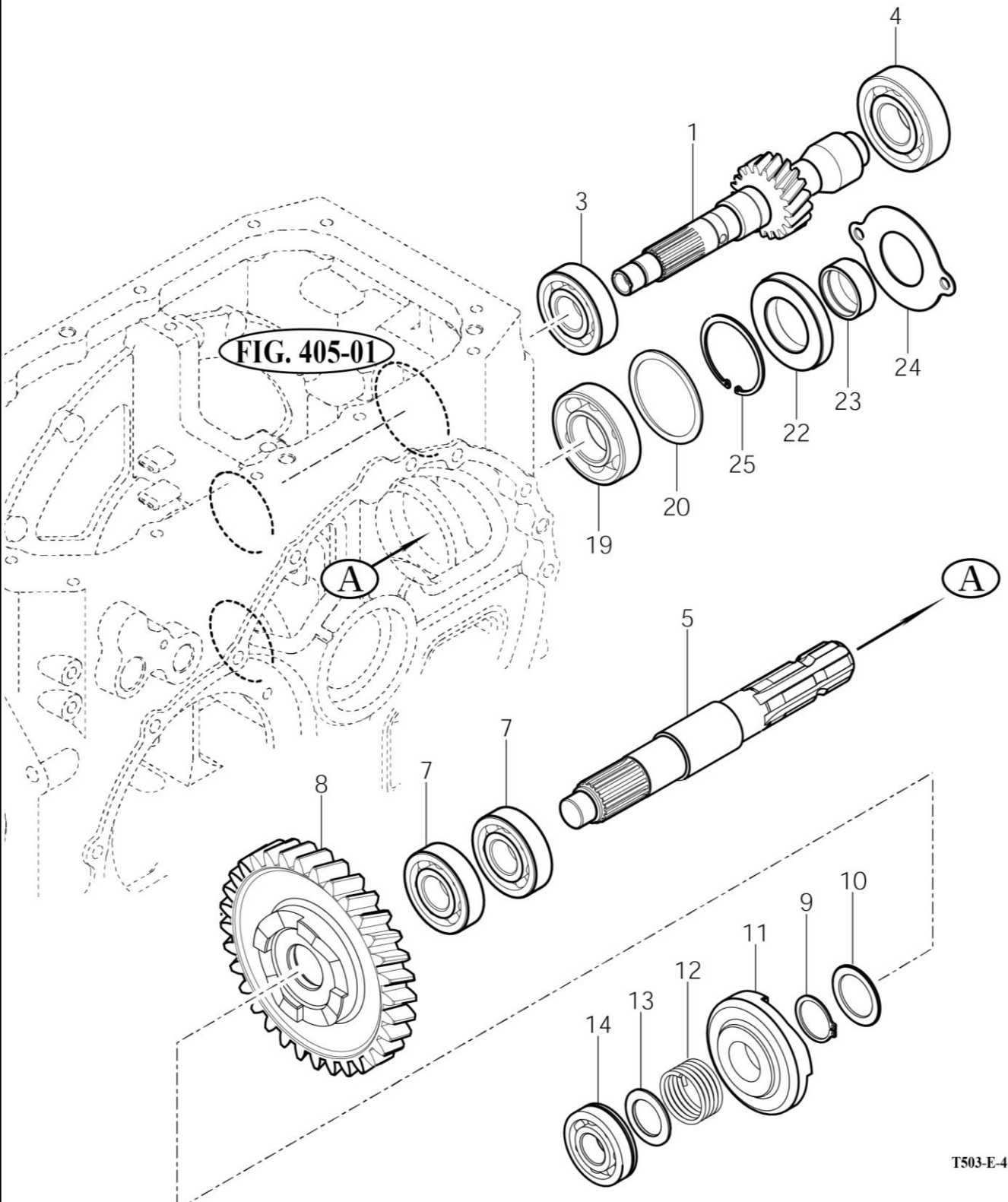


FIG. 405-01

T503-E-411A

NOTE

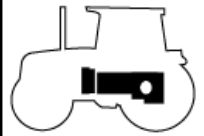
# FIG 412

# REAR DIFFERENTIAL GEARS

P1

Year / Month

2014 / 04

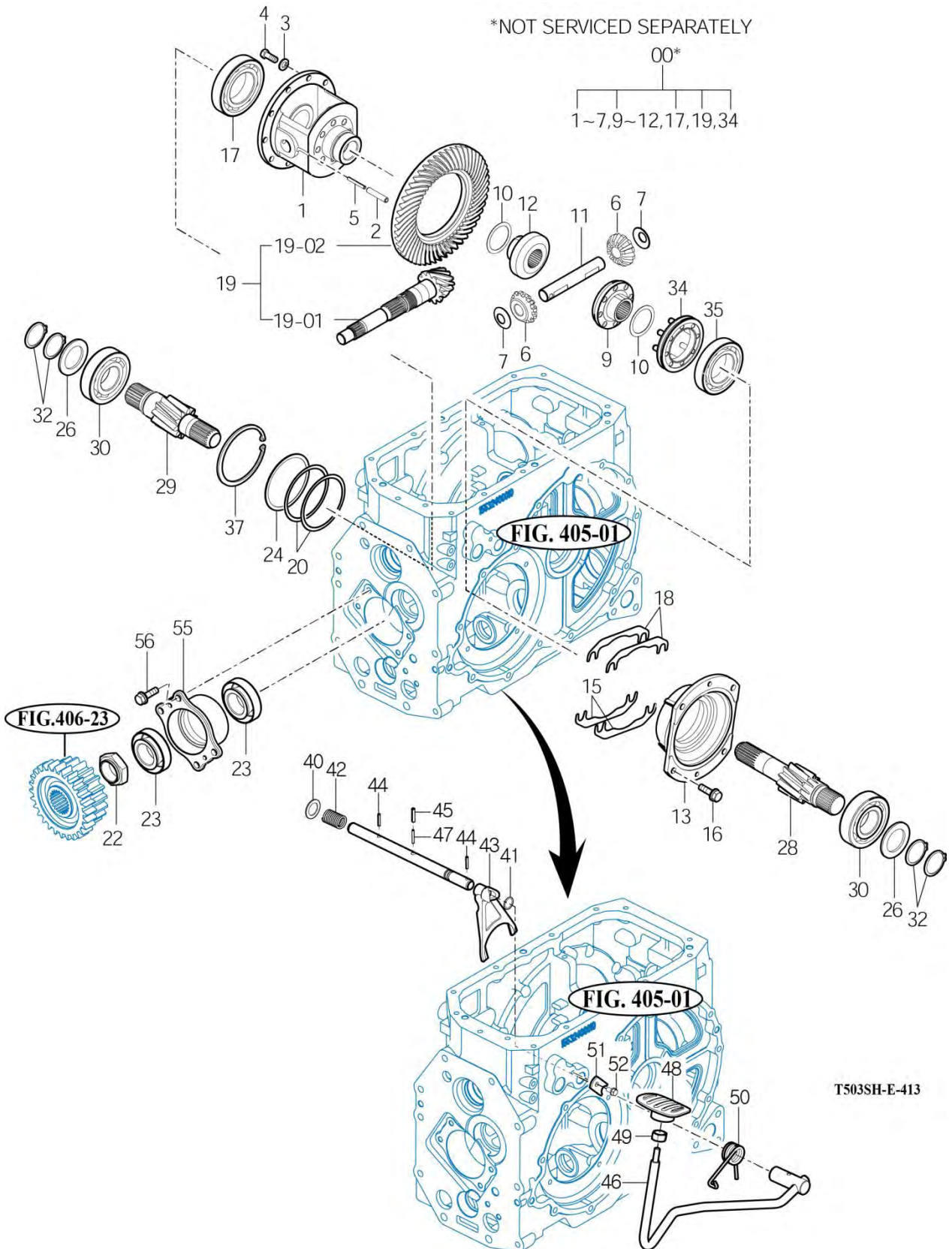


T554NH / T554SH / T454NH

\*NOT SERVICED SEPARATELY

00\*

1~7,9~12,17,19,34



T503SH-E-413

NOTE

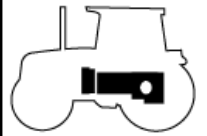
# FIG 413

# REAR AXLE HOUSING

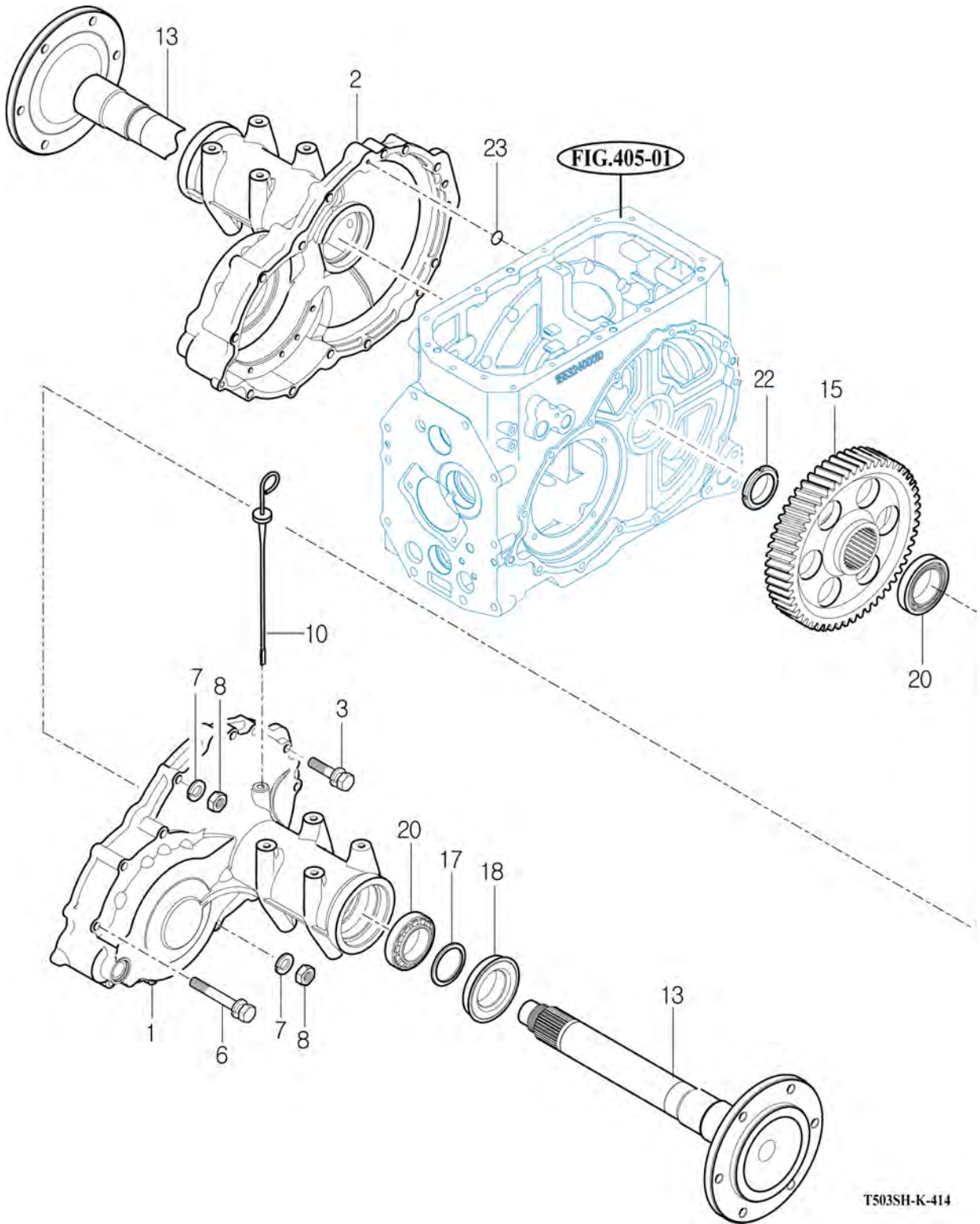
P1

Year / Month

2014 / 04



T554NH / T554SH / T454NH



T503SH-K-414

NOTE

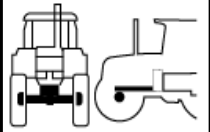
# FIG 501

# FRONT AXLE SUPPORT

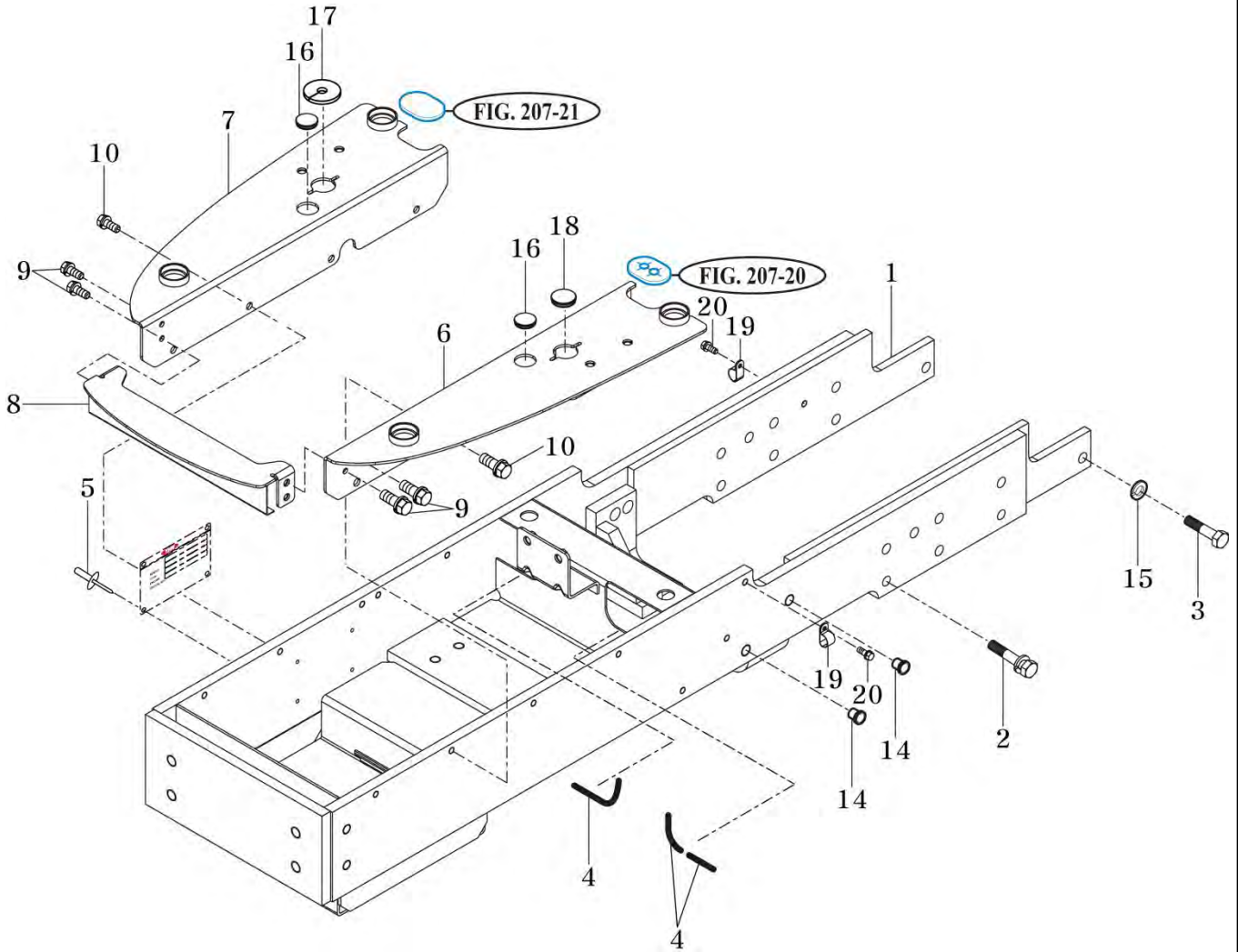
P1

Year / Month

2014 / 04



T554NH / T554SH / T454NH



NOTE



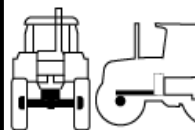
FIG 502

FRONT DRIVE SHAFT

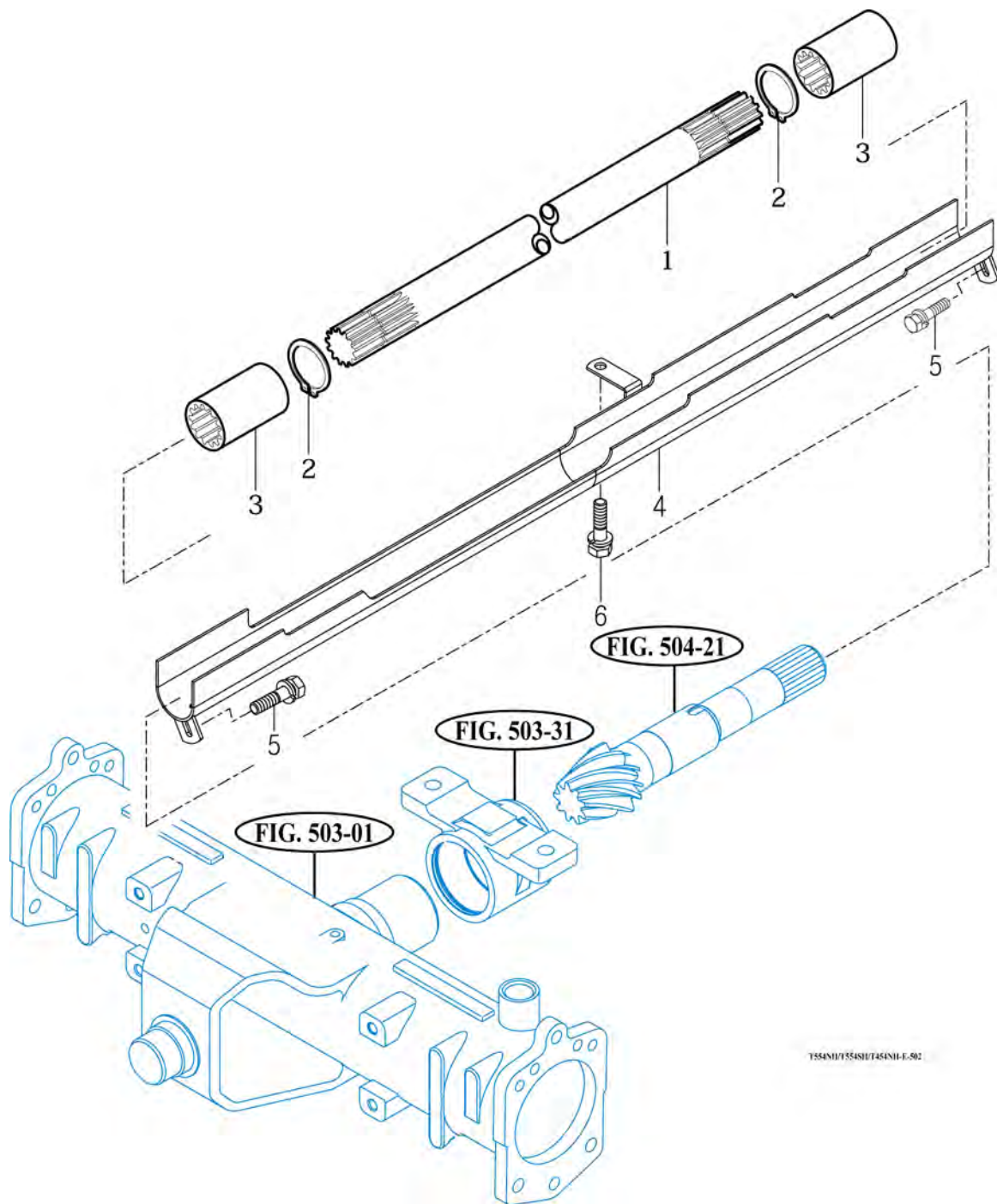
P1

Year / Month

2014 / 04



T554NH / T554SH / T454NH



T554NH/T554SH/T454NH-E-502

NOTE

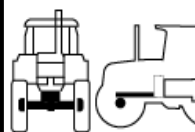
# FIG 503

# FRONT AXLE HOUSING

P1

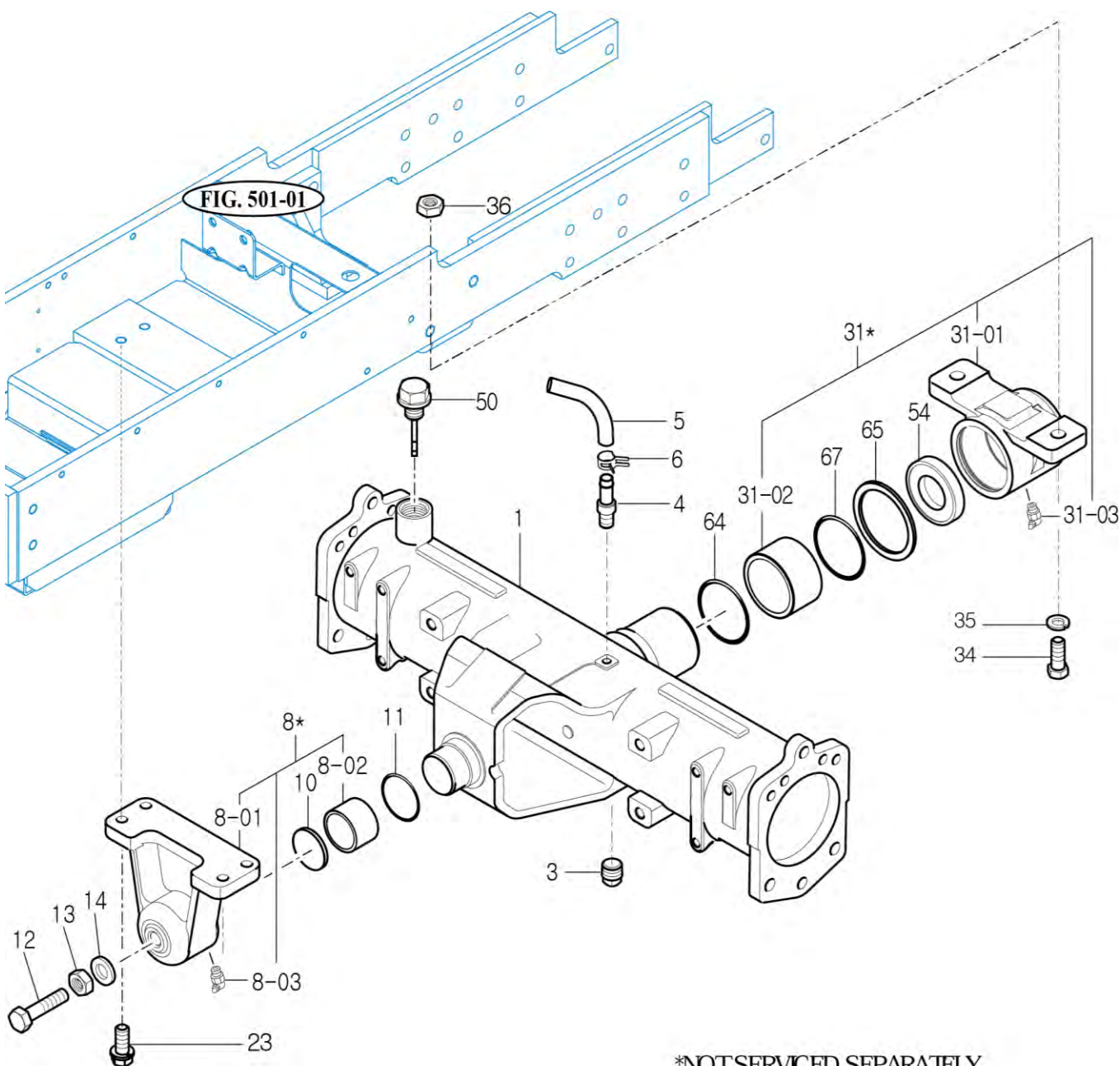
Year / Month

2014 / 04



T554NH / T554SH / T454NH

FIG. 501-01



\*NOT SERVICED SEPARATELY

T554454 E-503

NOTE

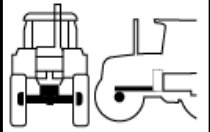
# FIG 504

# FRONT DIFFERENTIAL GEARS

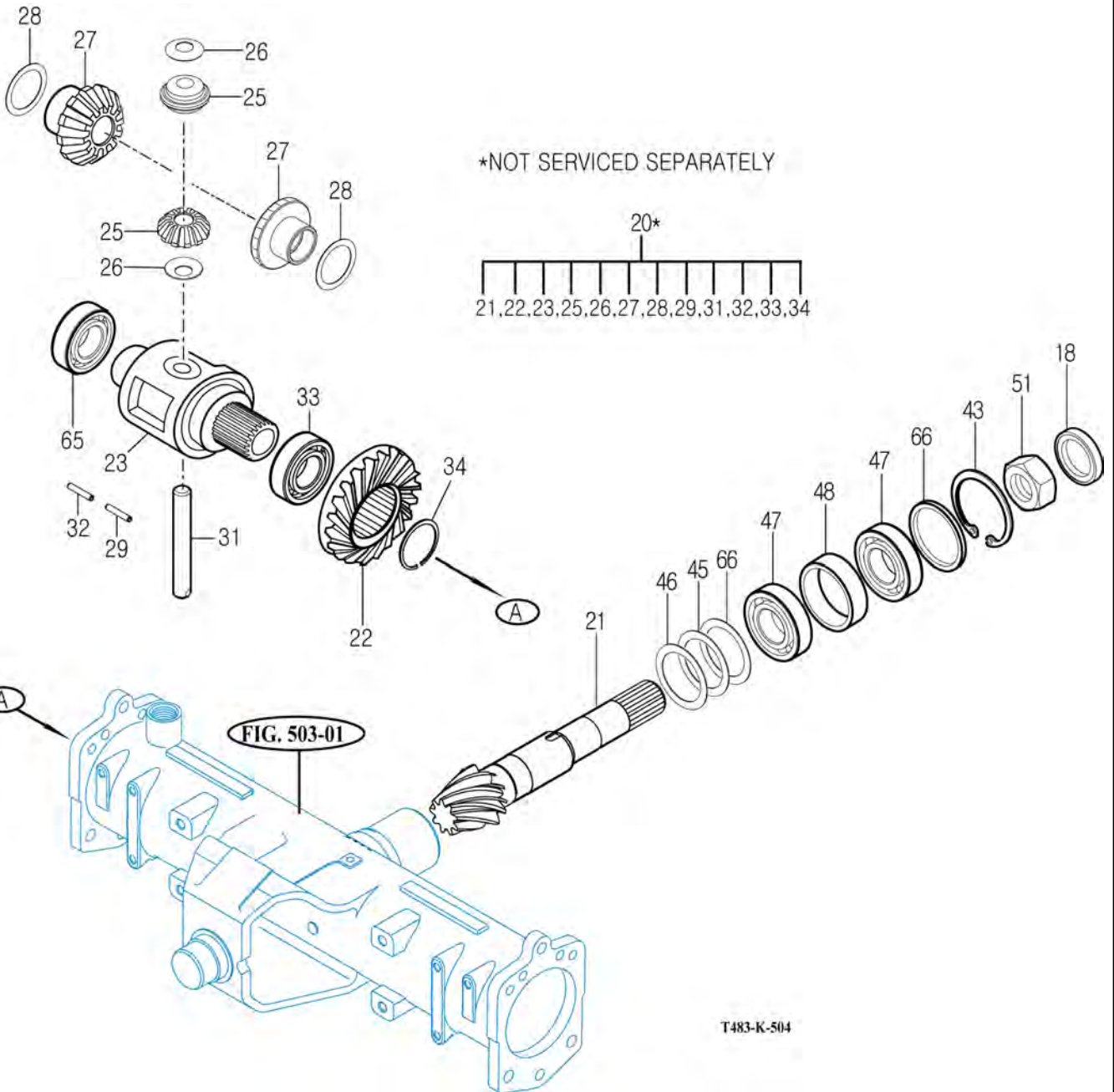
P1

Year / Month

2014 / 04



T554NH / T554SH / T454NH



NOTE



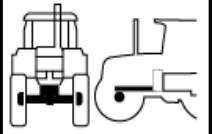
# FIG 505

# FRONT GEAR CASE (1)

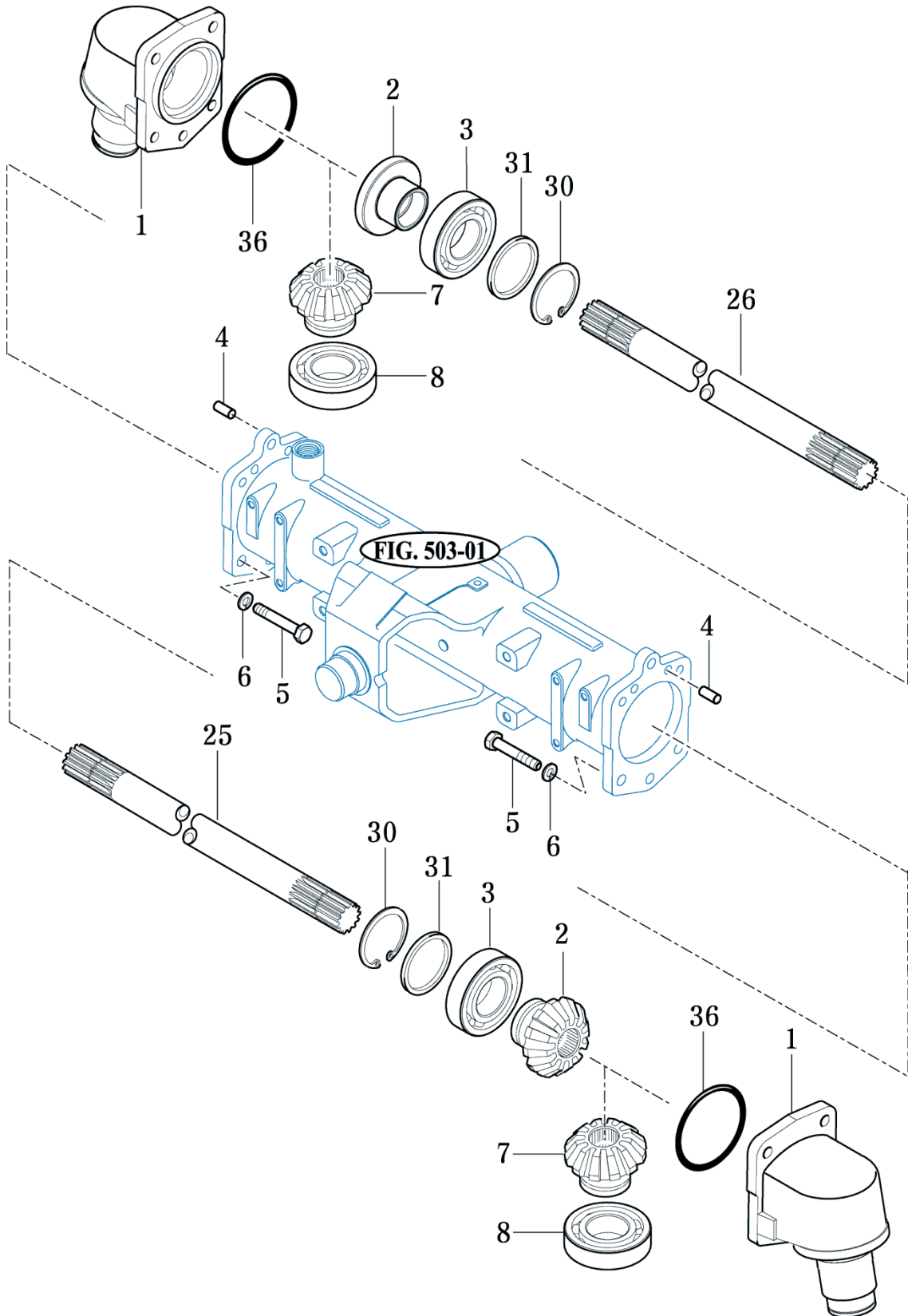
P1

Year / Month

2014 / 04



T554NH / T554SH / T454NH



T483-k-505

NOTE

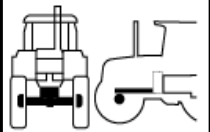
FIG 506

FRONT GEAR CASE (2)

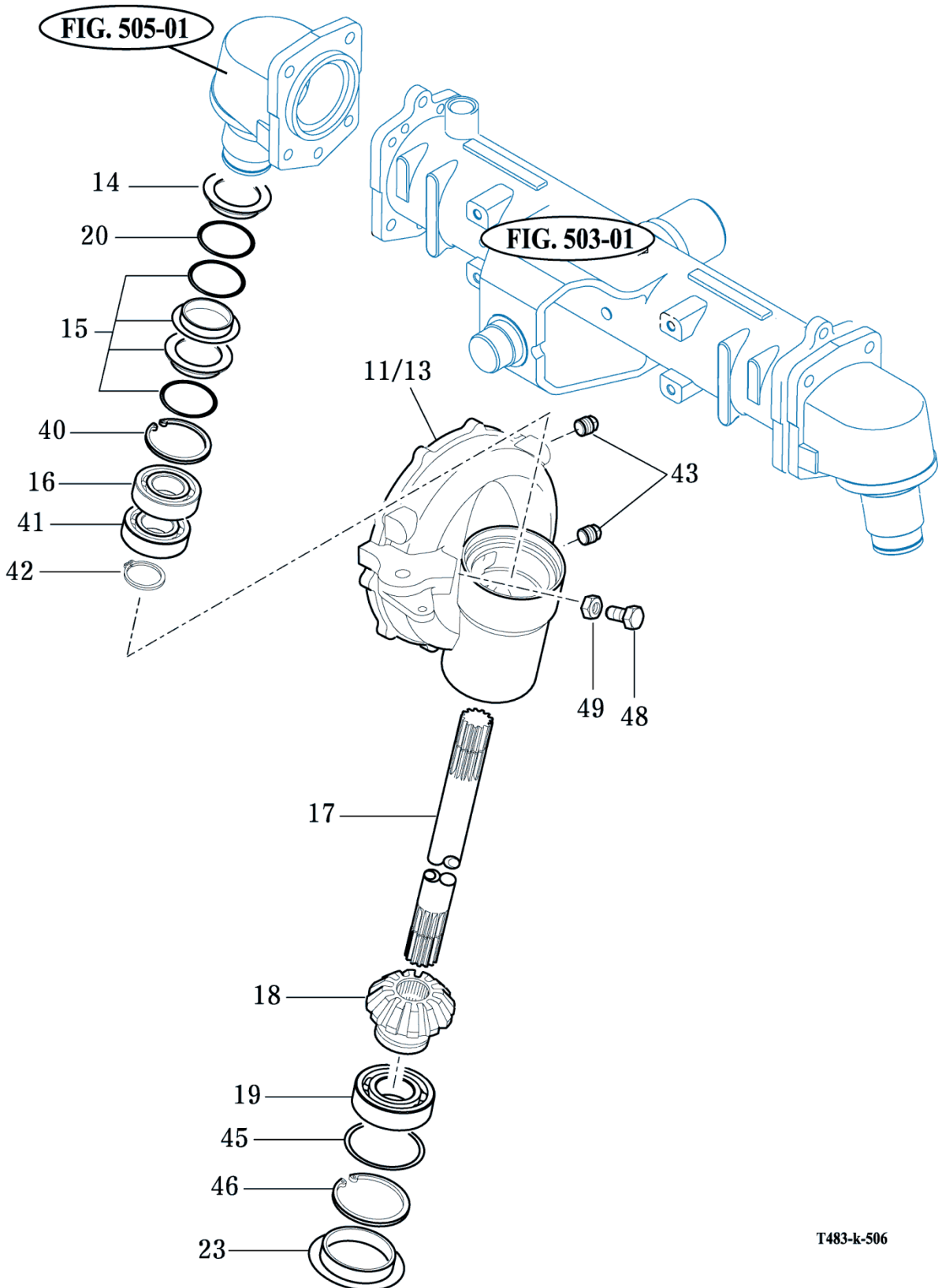
P1

Year / Month

2014 / 04



T554NH / T554SH / T454NH



T483-k-506

NOTE

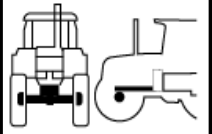
FIG 507

FRONT GEAR CASE (3)

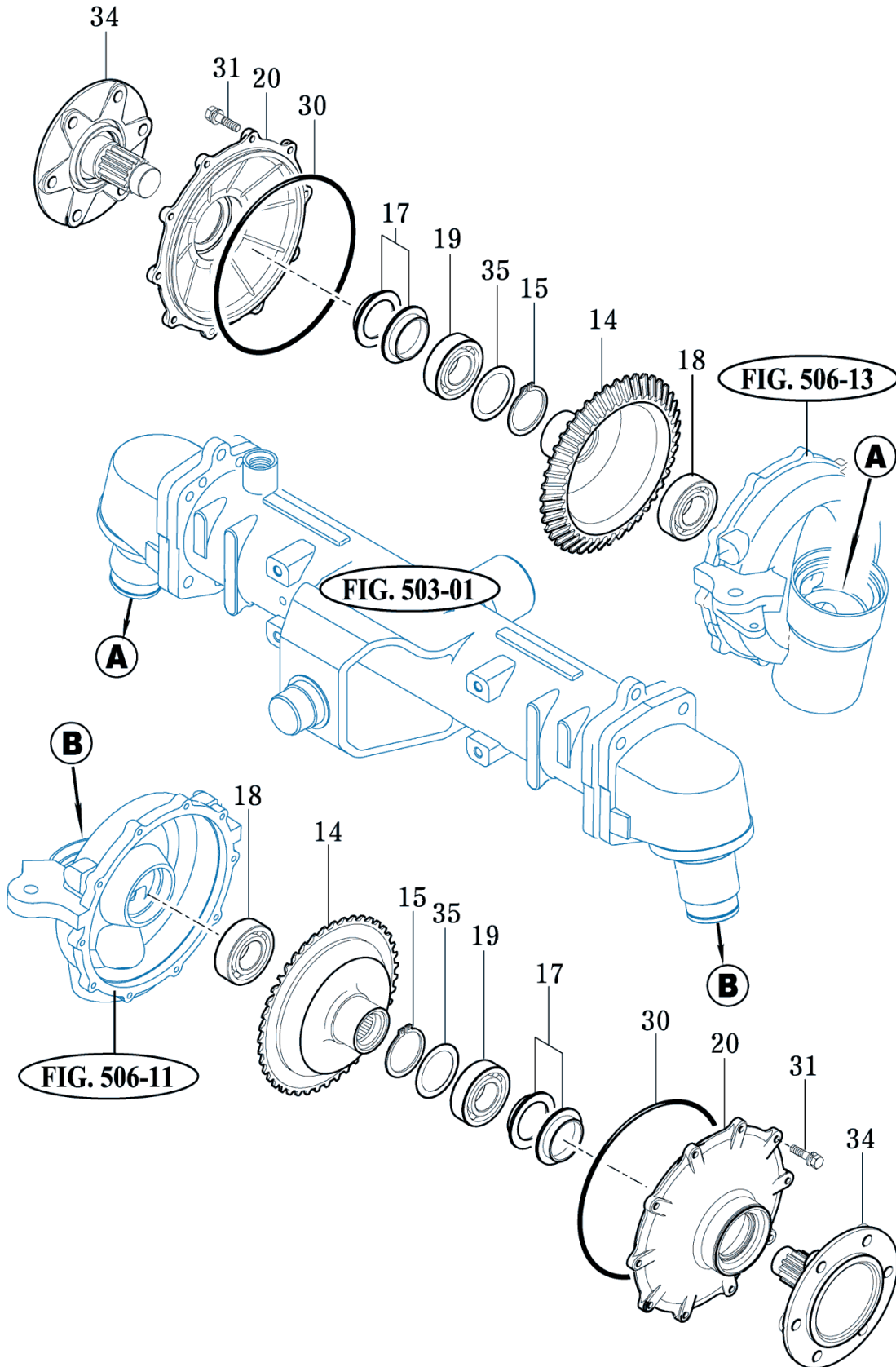
P1

Year / Month

2014 / 04



T554NH / T554SH / T454NH



T483-k-507

NOTE

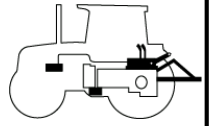
# FIG 601

# CYLINDER CASE

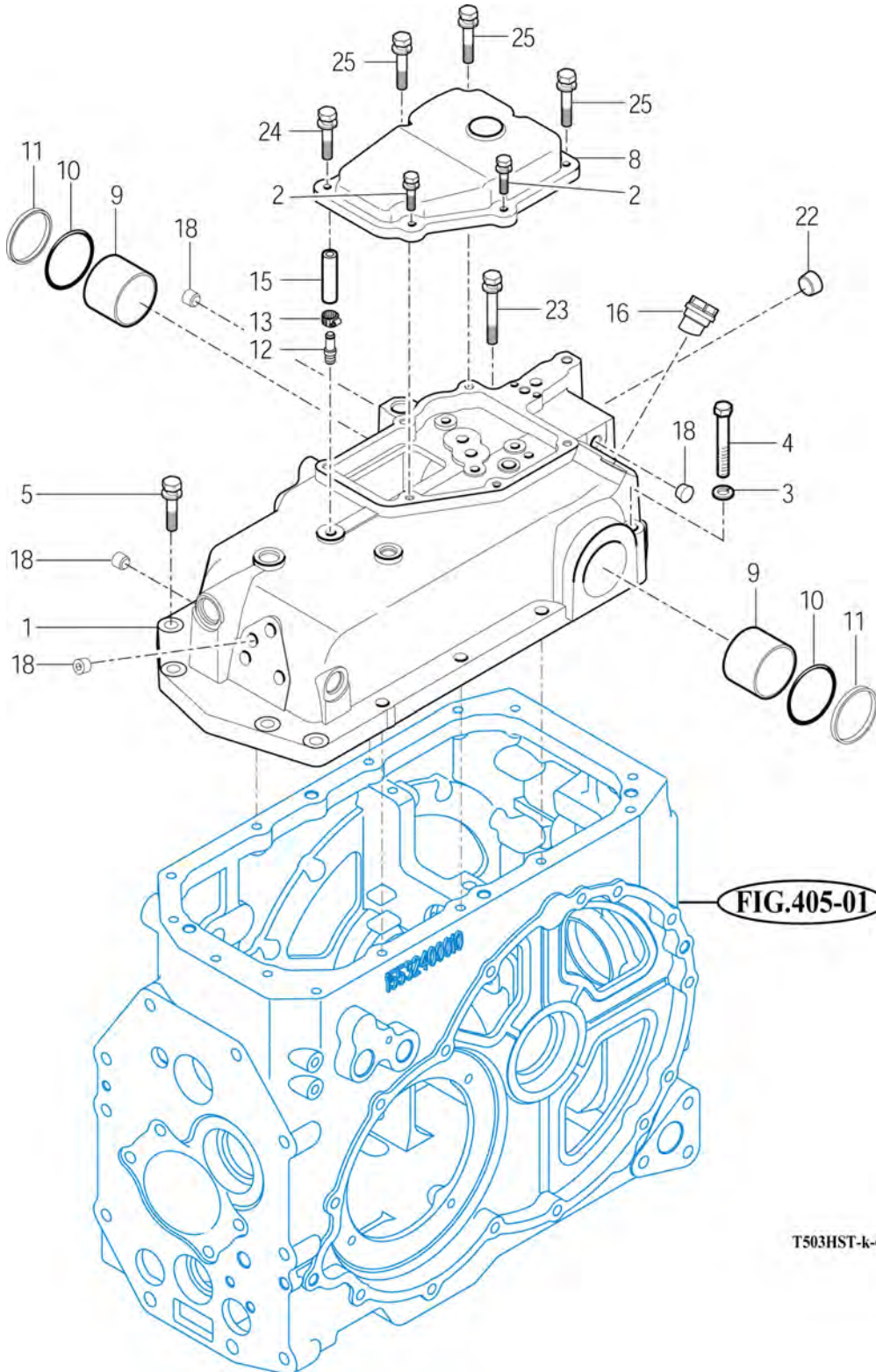
Year / Month

P1

2014 / 04



T554NH / T554SH / T454NH



NOTE

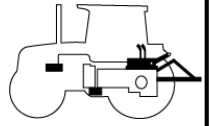
FIG 602

LIFT ARM

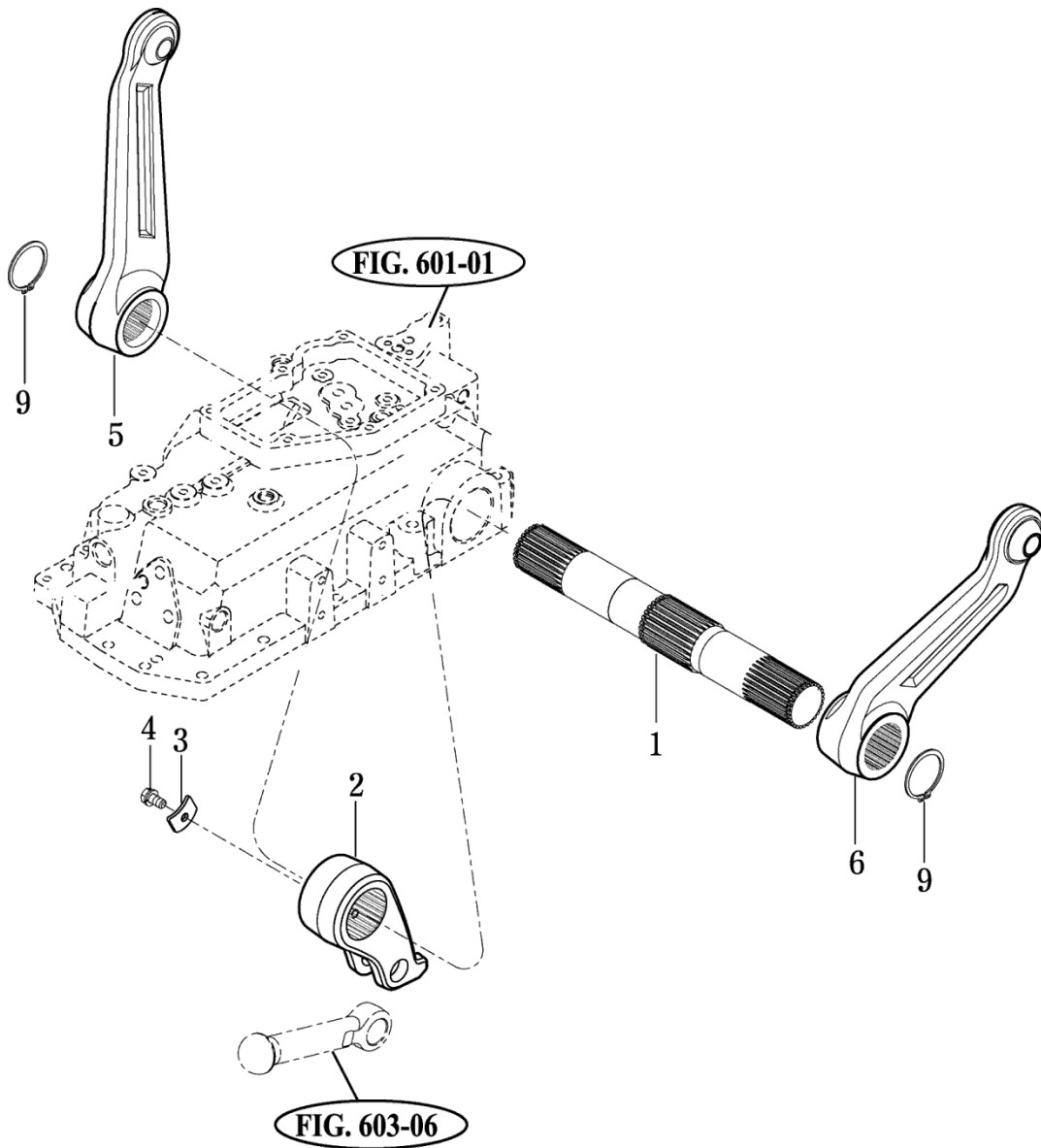
P1

Year / Month

2014 / 04



T554NH / T554SH / T454NH



T473-E-602A

NOTE

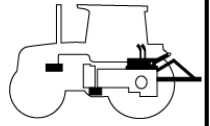
# FIG 603

# CYLINDER

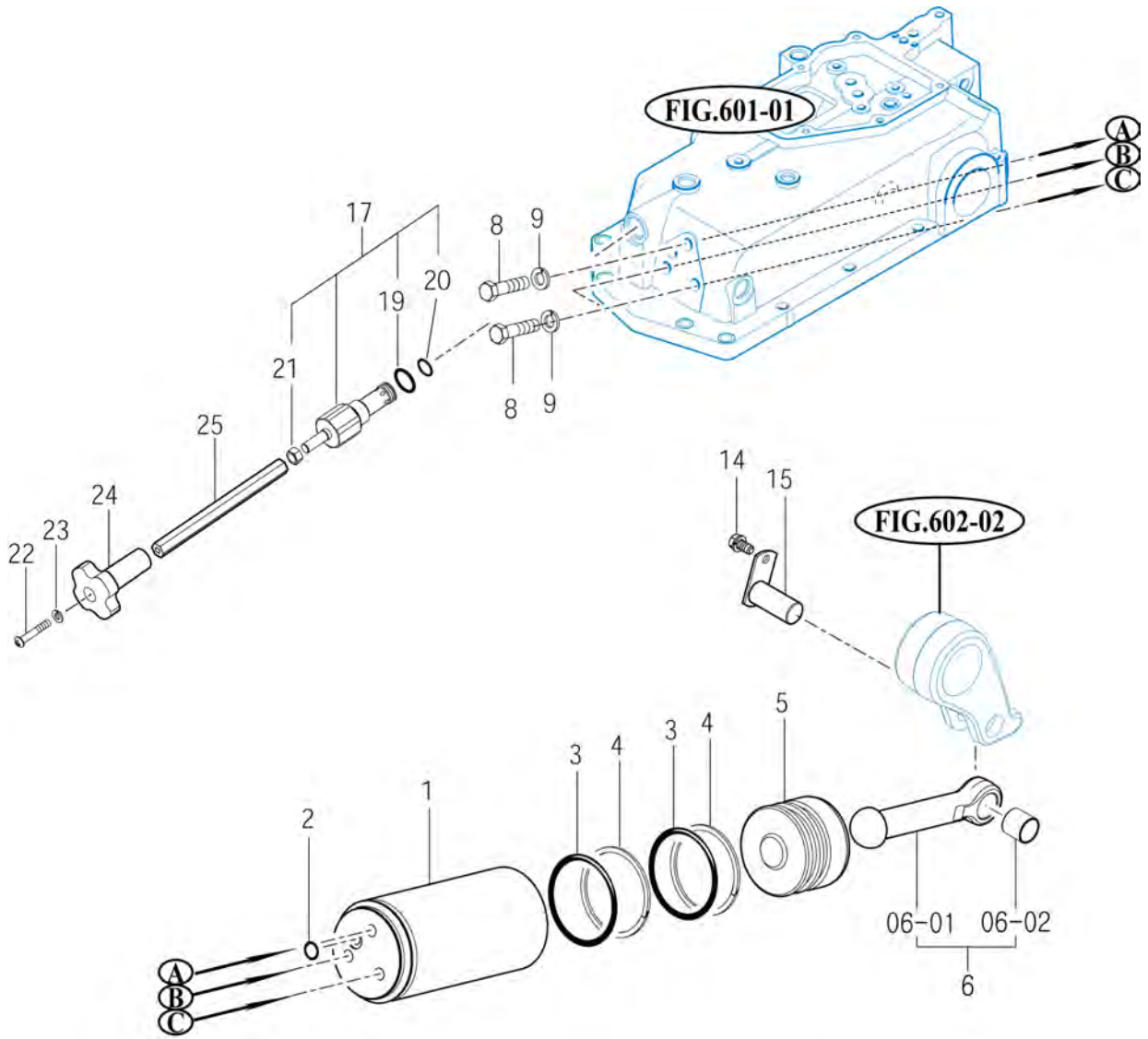
Year / Month

P1

2014 / 04



T554NH / T554SH / T454NH



T483-K-603

NOTE



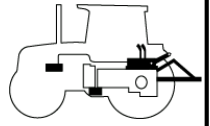
# FIG 604

# POSITION LINK

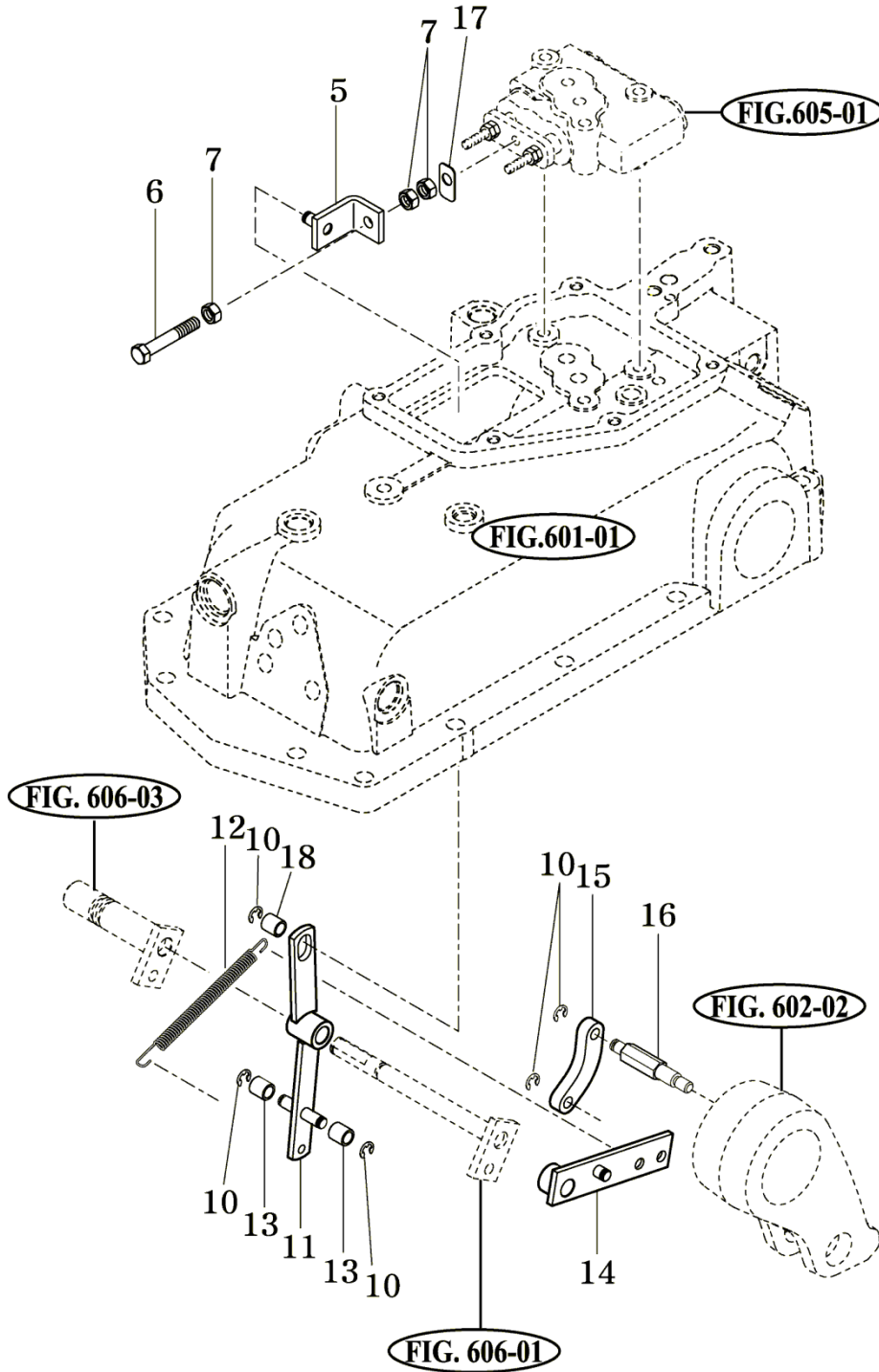
Year / Month

P1

2014 / 04



T554NH / T554SH / T454NH



T483-K-604

NOTE

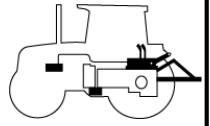
# FIG 605

# CONTROL VALVE

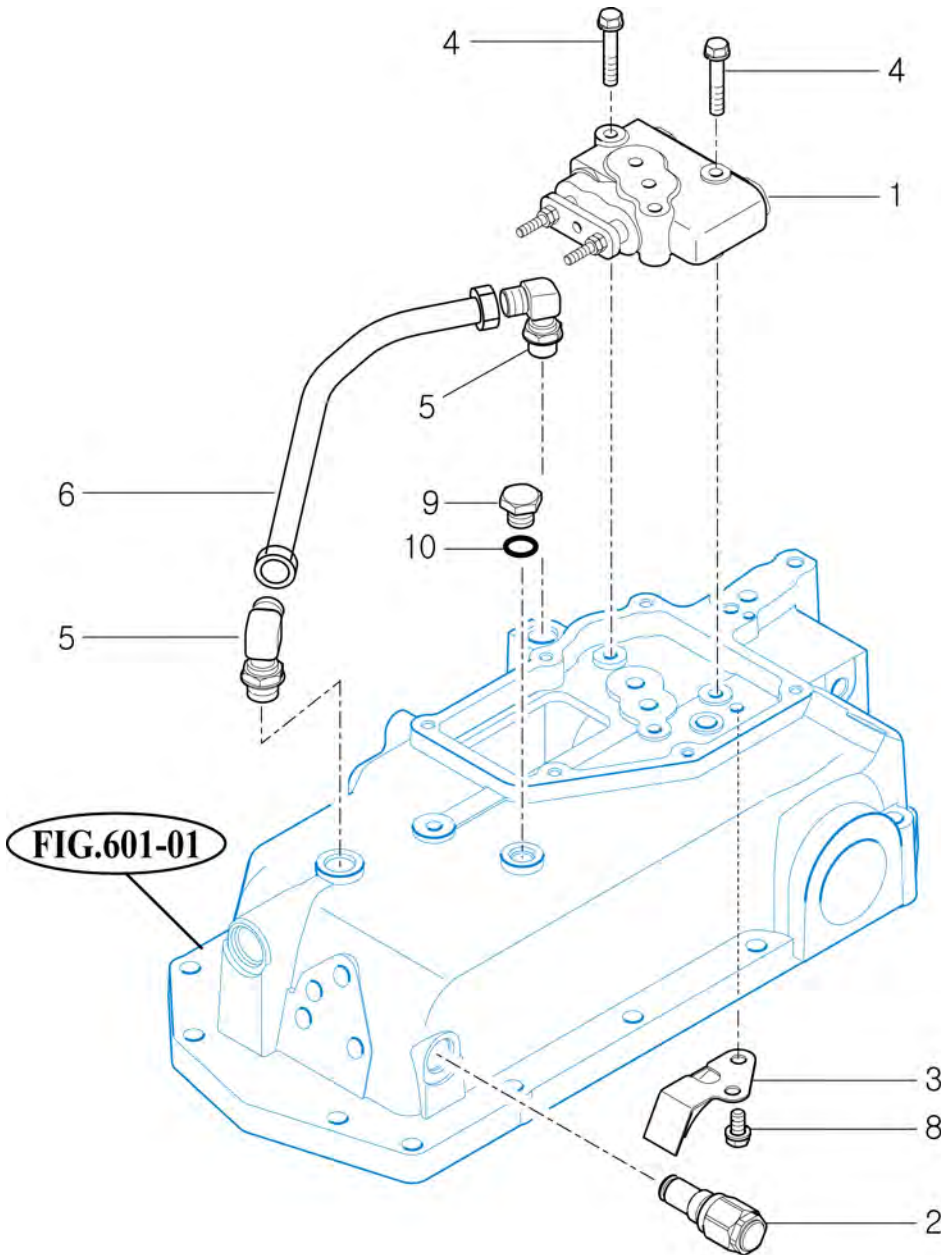
Year / Month

P1

2014 / 04



T554NH / T554SH / T454NH



T503HST-K-605

NOTE

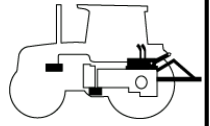
# FIG 606

# DRAFT LINK

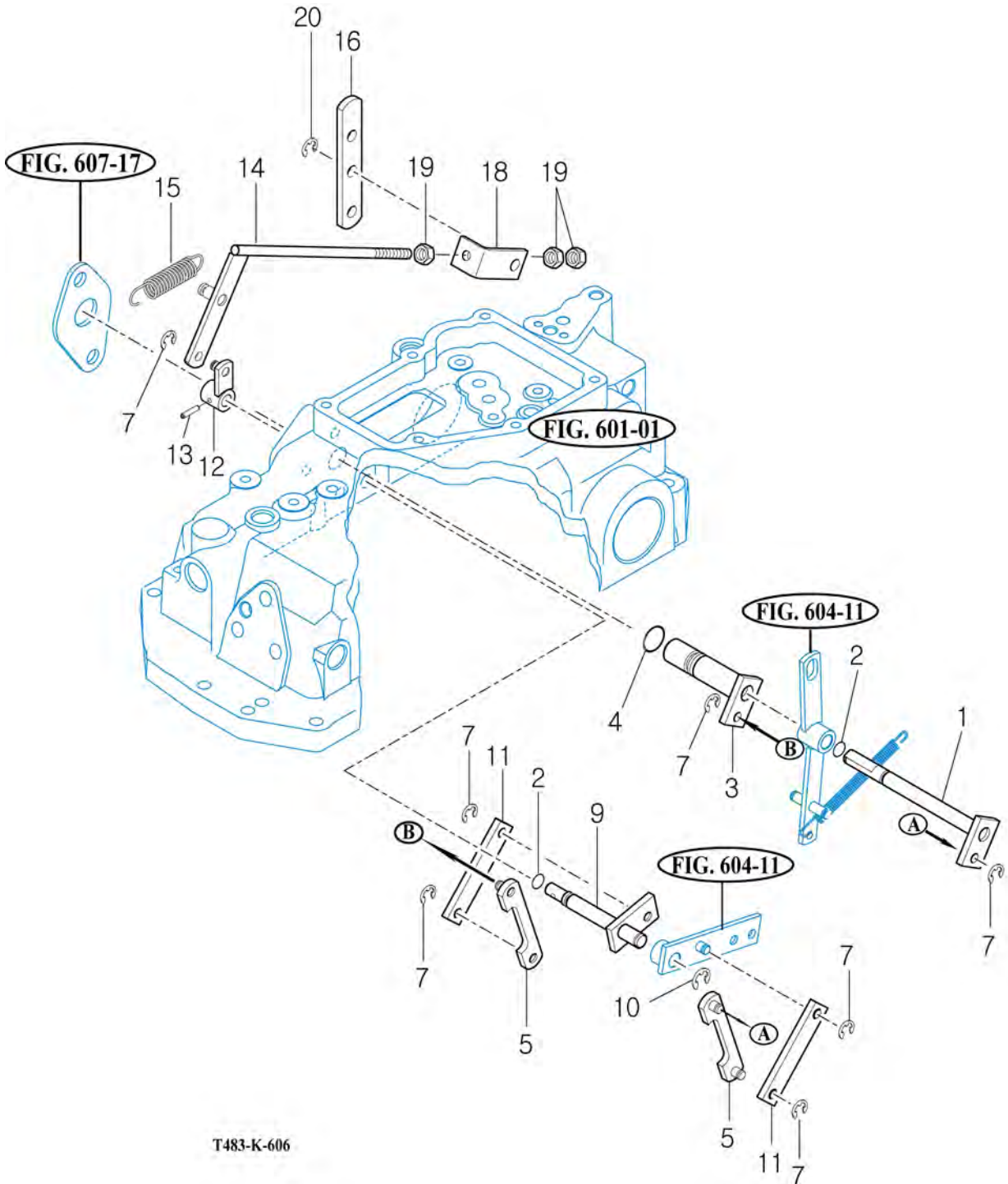
Year / Month

P1

2014 / 04



T554NH / T554SH / T454NH



NOTE

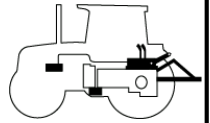
# FIG 607

# POSITION & DRAFT LEVER

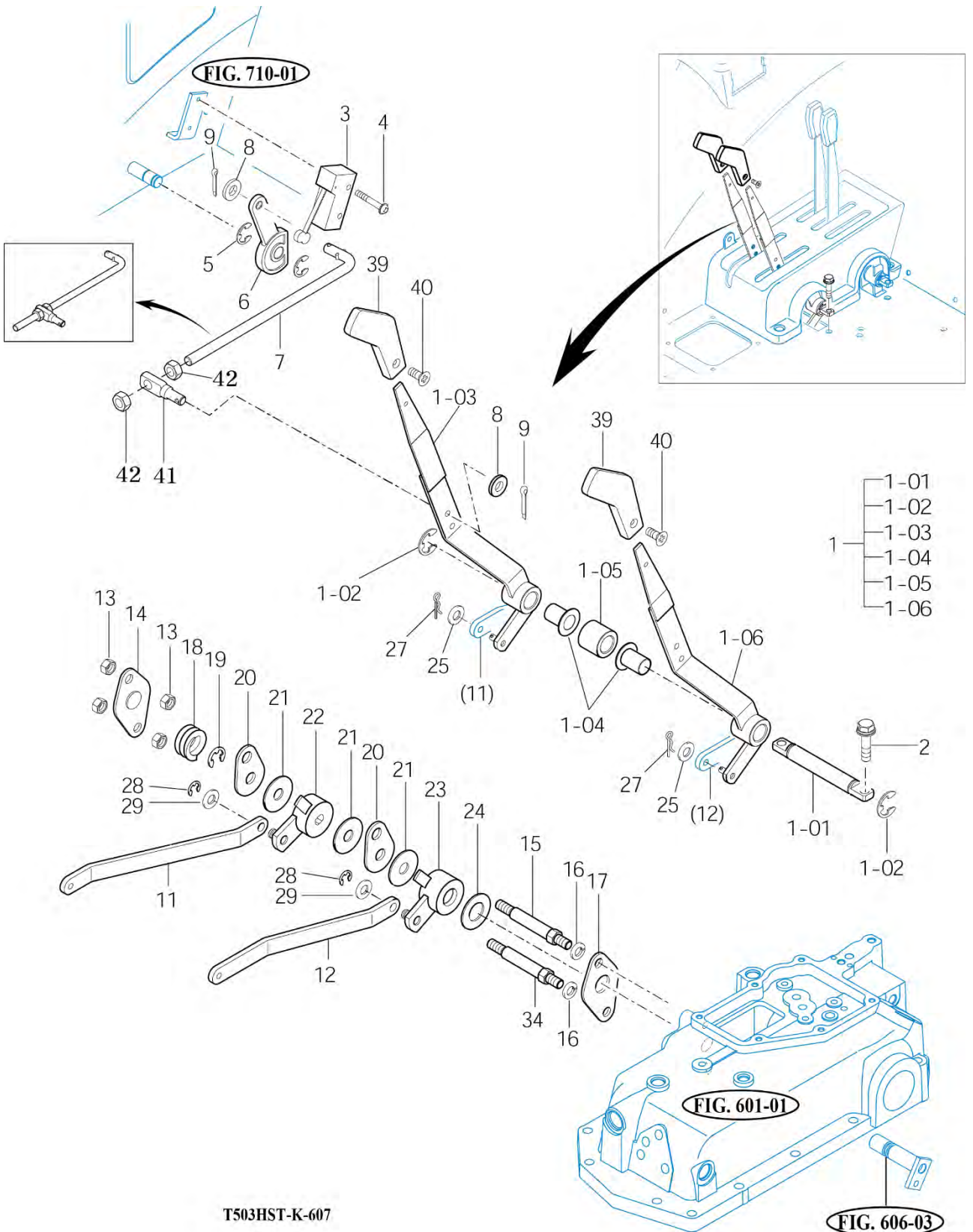
Year / Month

P1

2014 / 04



T554NH / T554SH / T454NH



NOTE

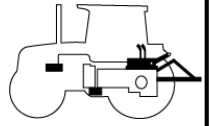
# FIG 608

# EXTERIOR HYD.VALVE

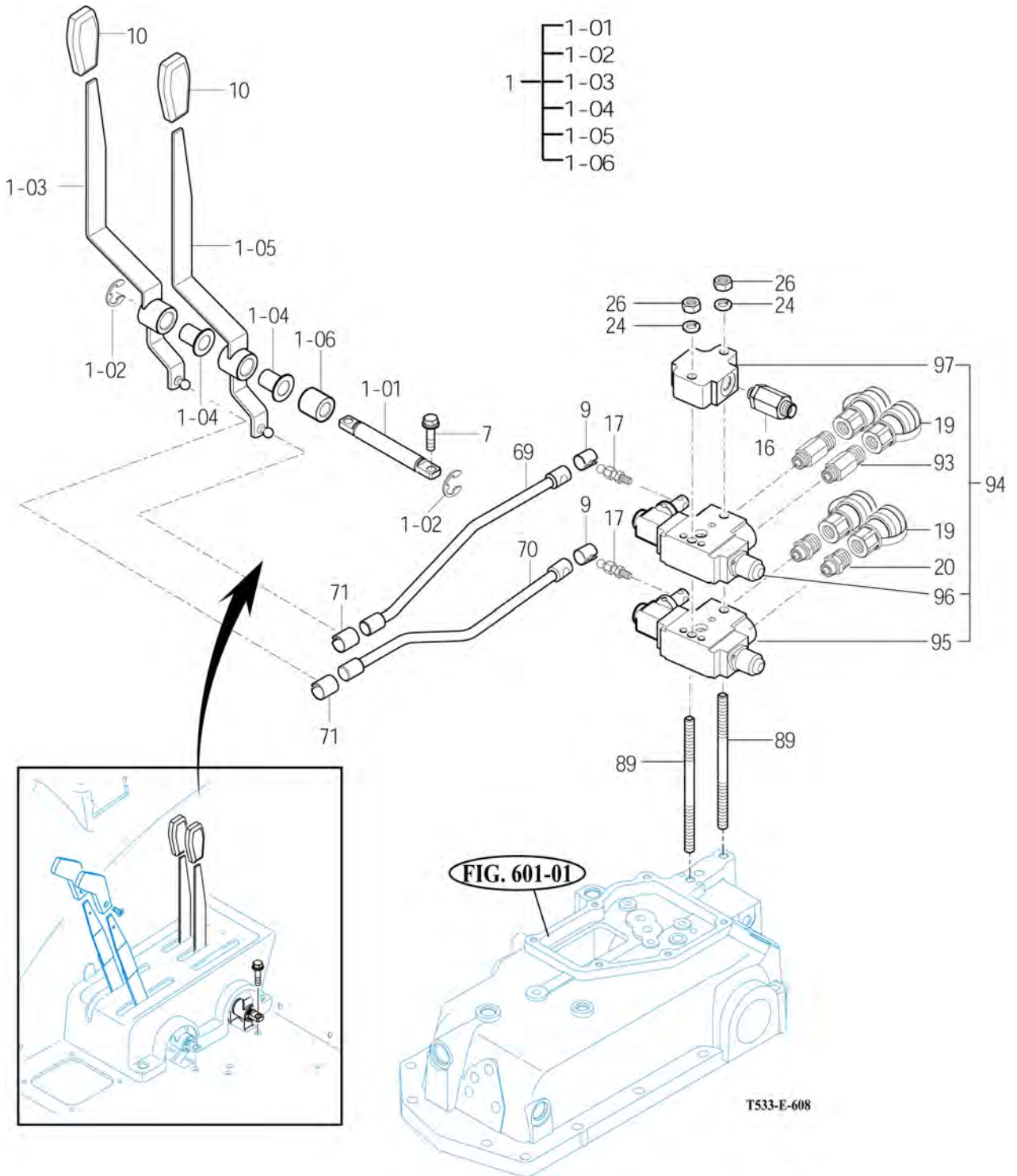
P1

Year / Month

2014 / 04



T554NH / T554SH / T454NH



T533-E-608

NOTE



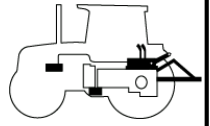
# FIG 609

# HYDRAULIC PIPE

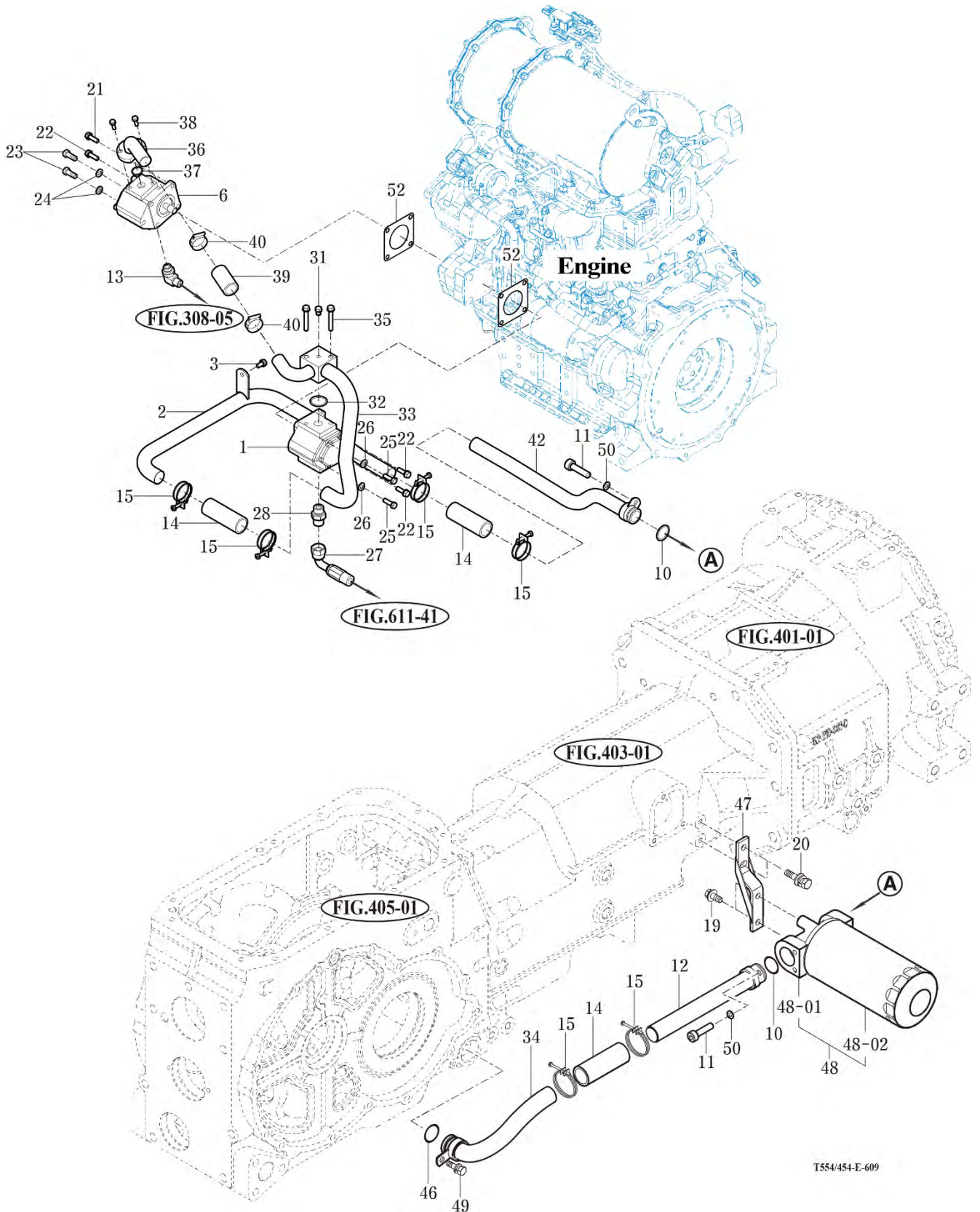
Year / Month

P1

2014 / 04



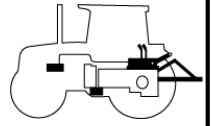
T554NH / T554SH / T454NH



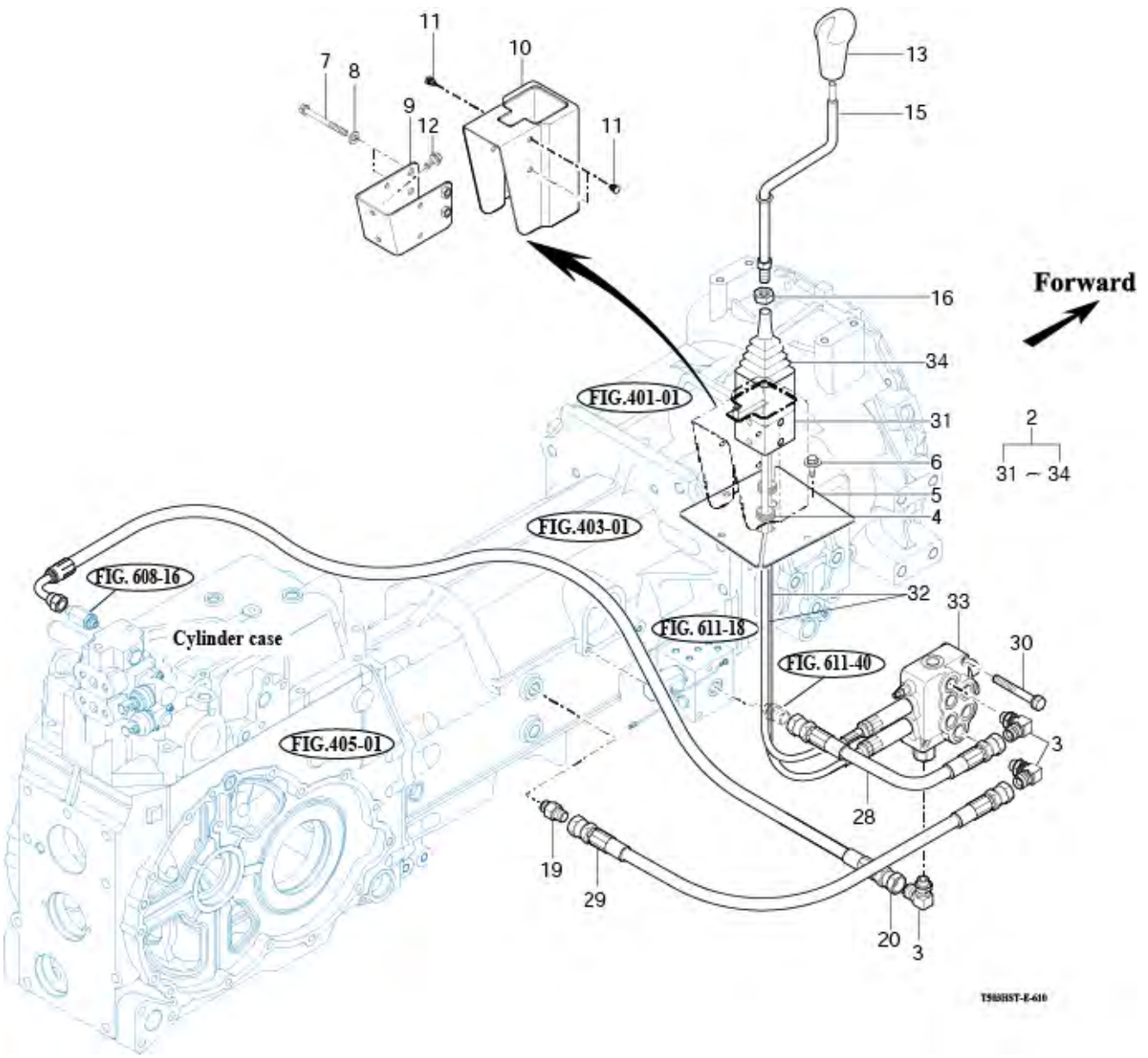
T554/454-E-609

NOTE





T554NH / T554SH / T454NH



TS00HST-E-610

NOTE

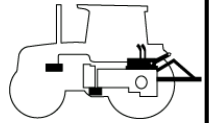
# FIG 611

# HYDRAULIC HOSE

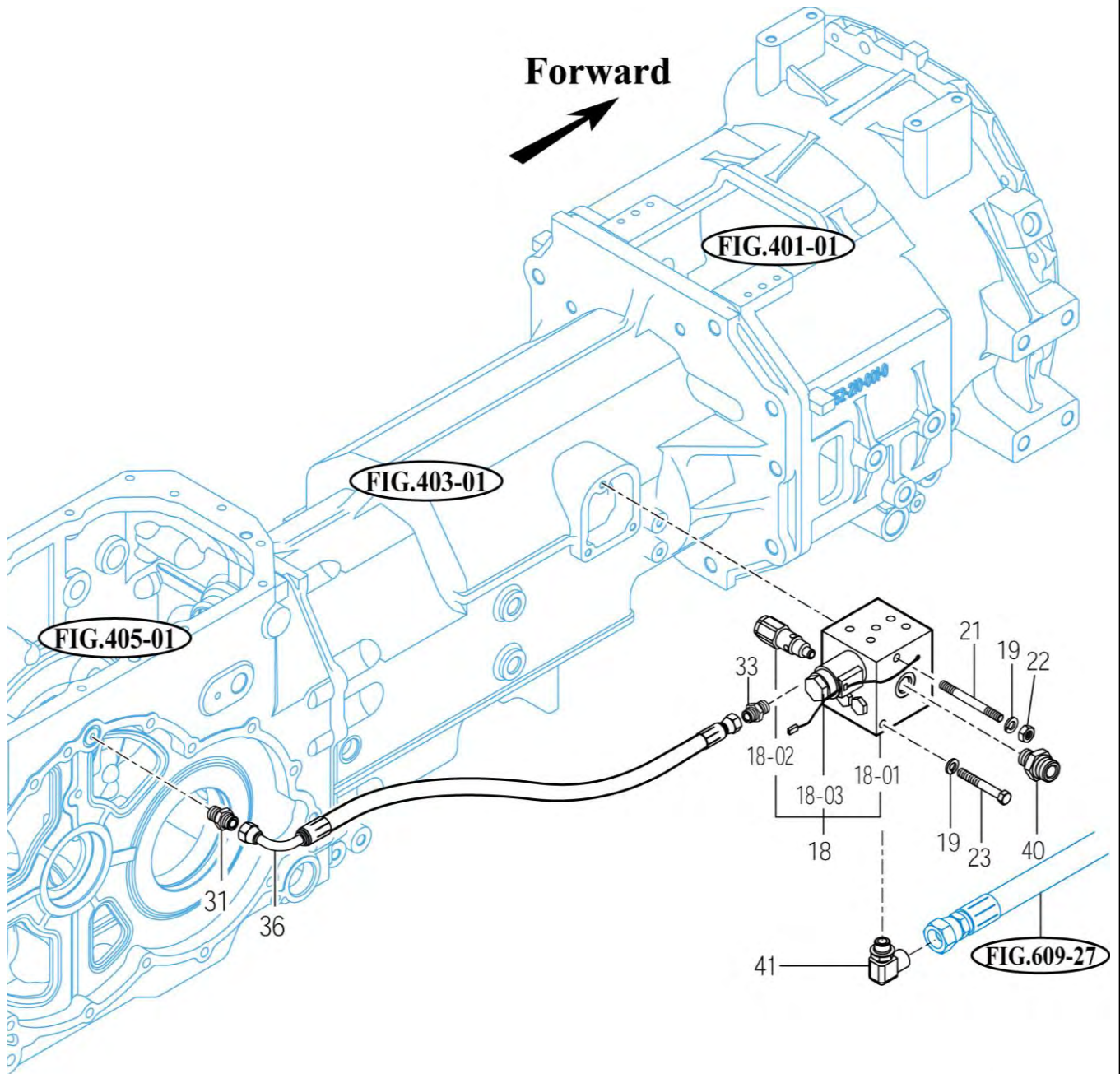
Year / Month

P1

2014 / 04



T554NH / T554SH / T454NH



T554/454-E-611

NOTE





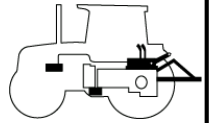
# FIG 612

# HITCH & 3-POINT LINK

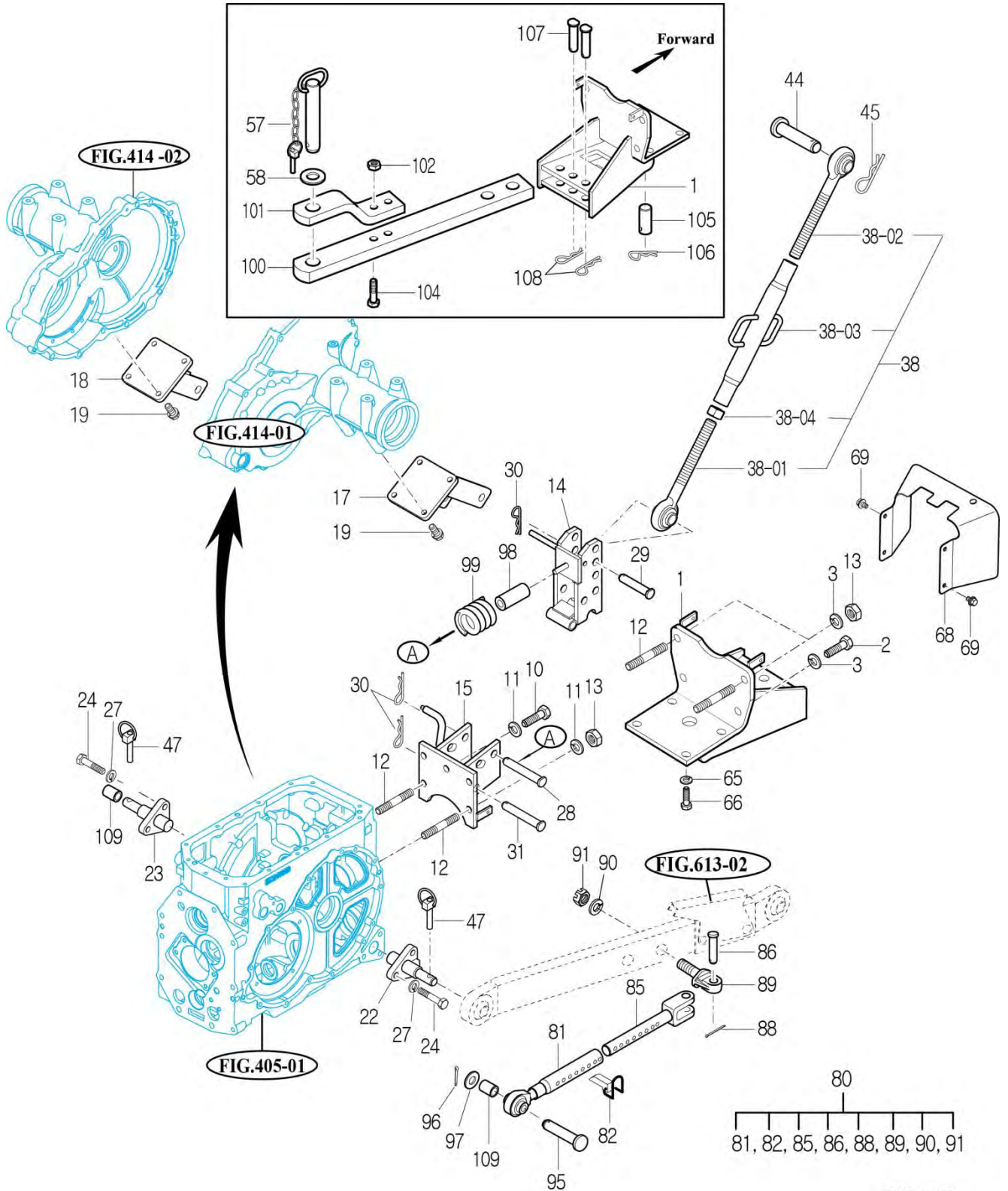
Year / Month

P2

2014 / 04



T554NH / T554SH / T454NH



T553-E-612

NOTE

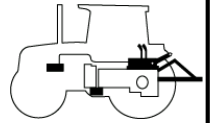
# FIG 613

# LOWER LINK & LIFT ROD

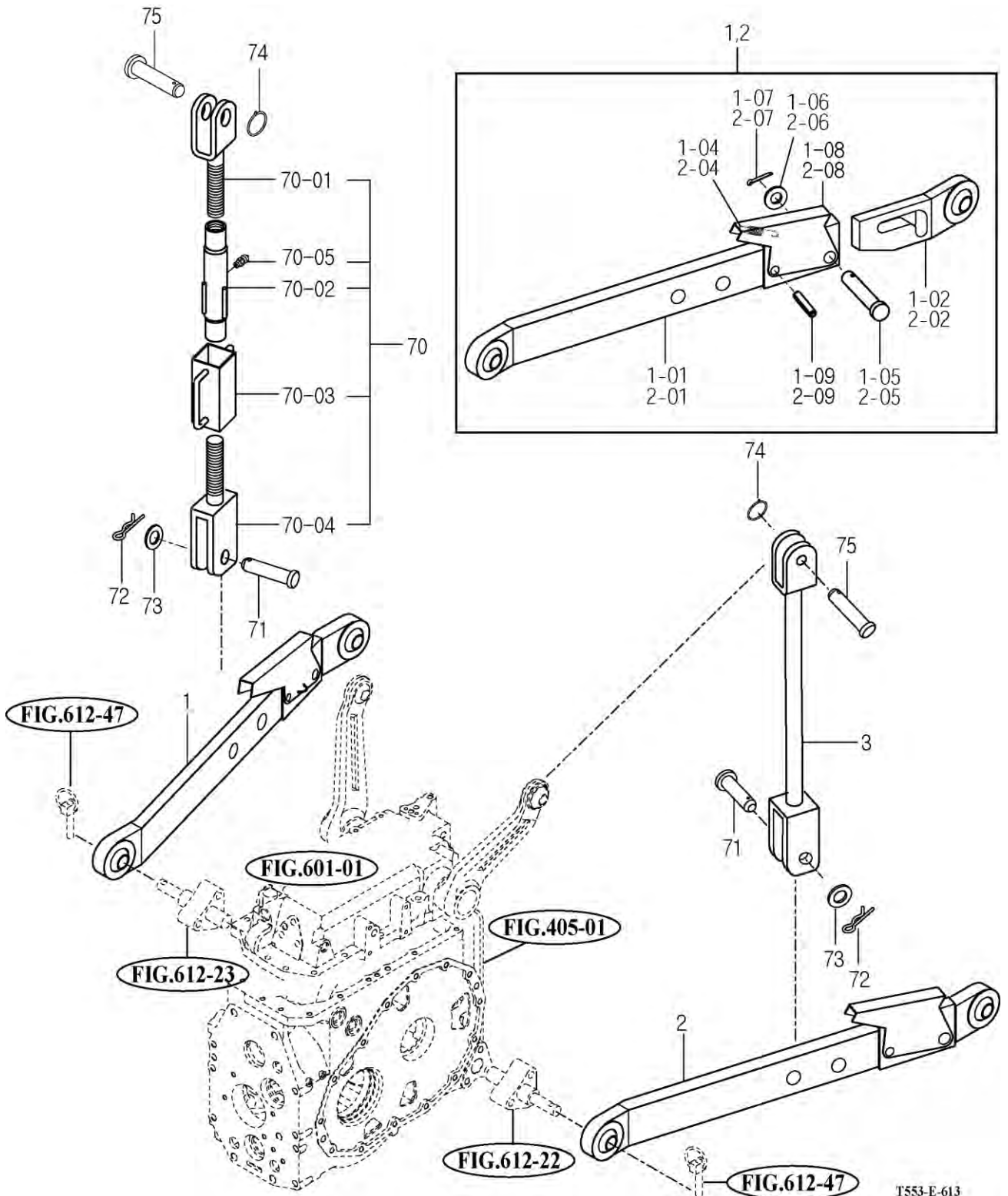
Year / Month

P1

2014 / 04



T554NH / T554SH / T454NH



NOTE





# FIG 702

# HOOD (2)

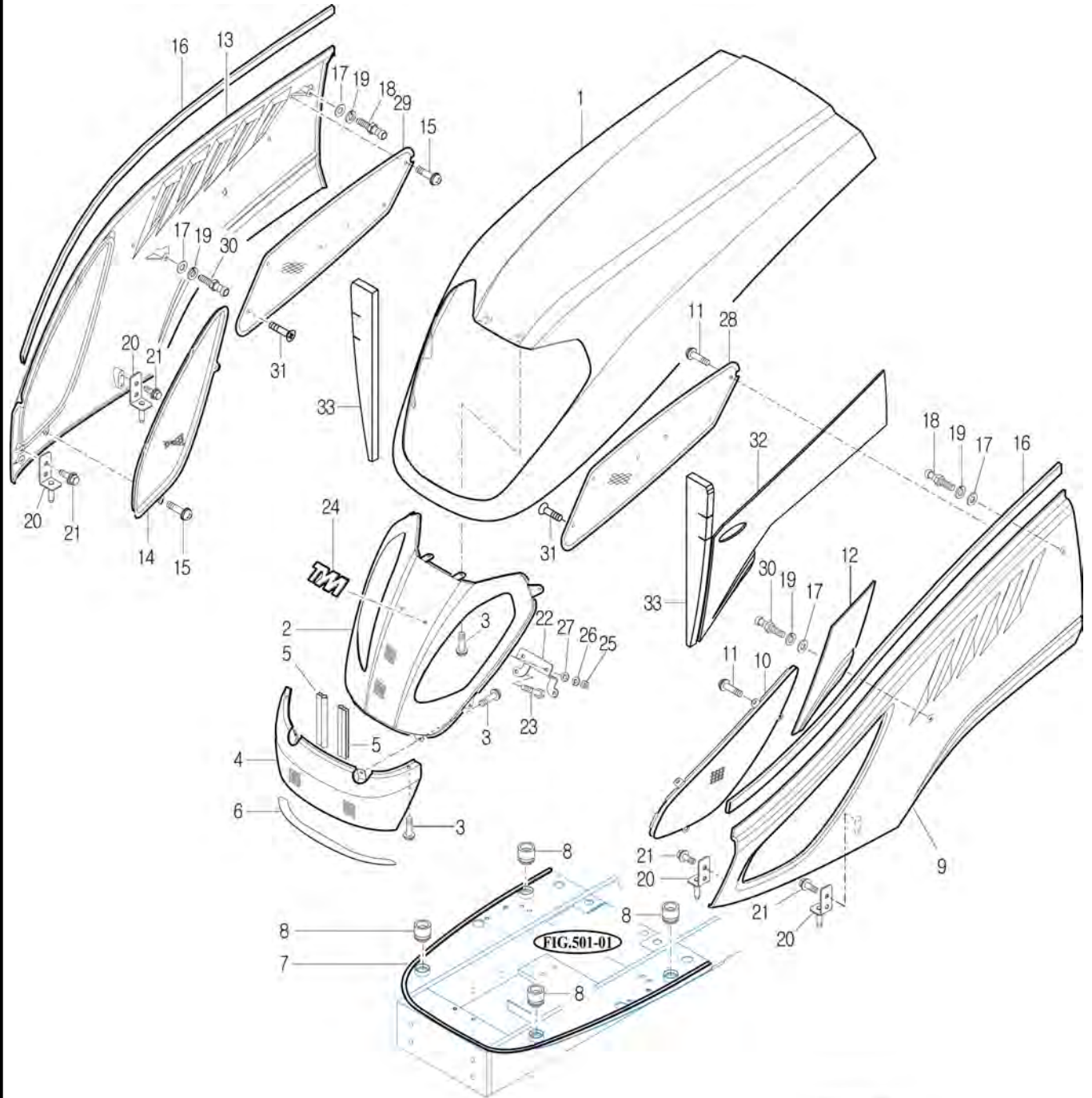
P1

Year / Month

2014 / 04



T554NH / T554SH / T454NH



T554/454-E-702

NOTE

# FIG 704A

# LEVER COVER & STEP

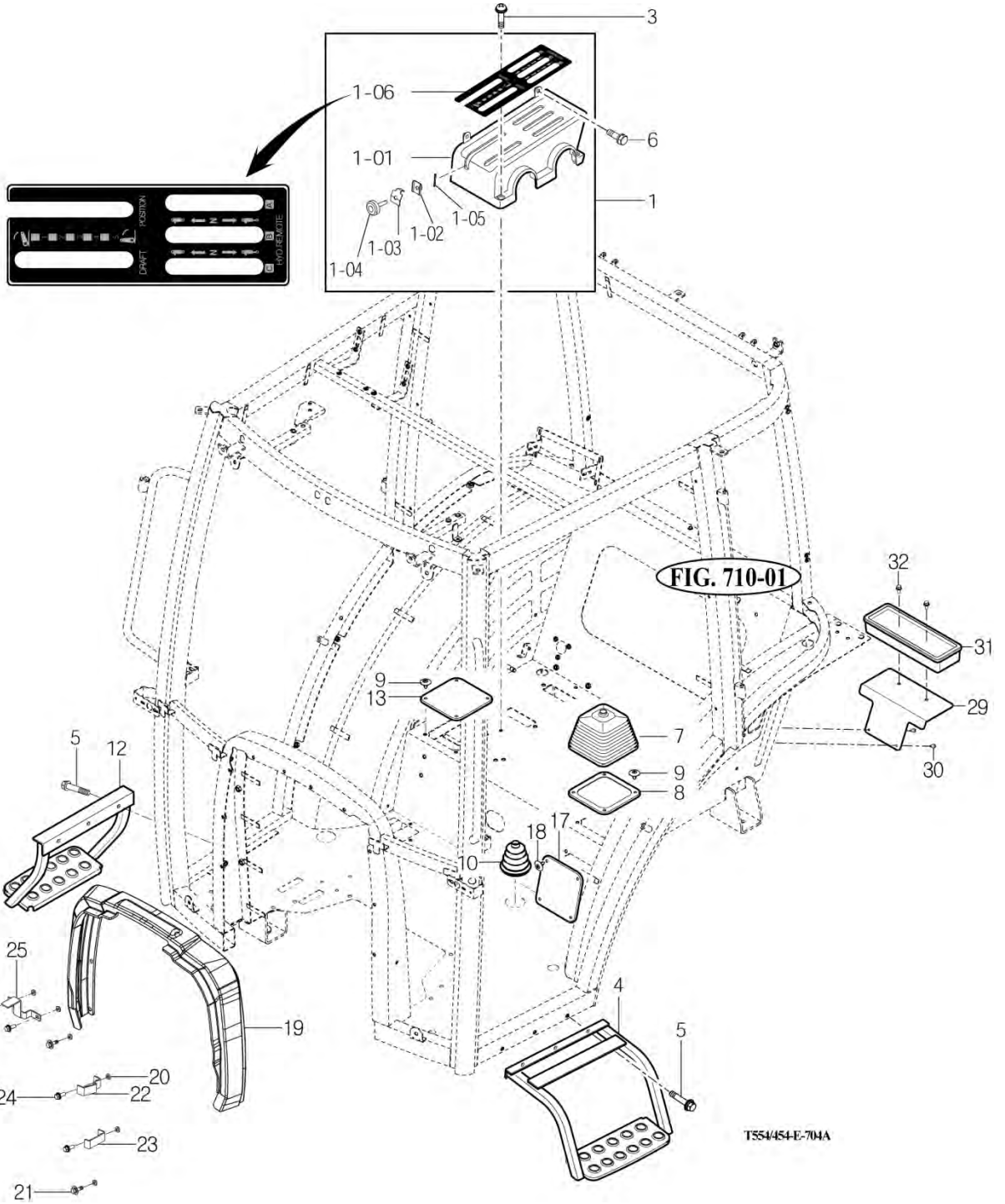
P1

Year / Month

2014 / 04



T554NH / T554SH / T454NH



NOTE



# FIG 705

# FRONT & REAR MOUNTING

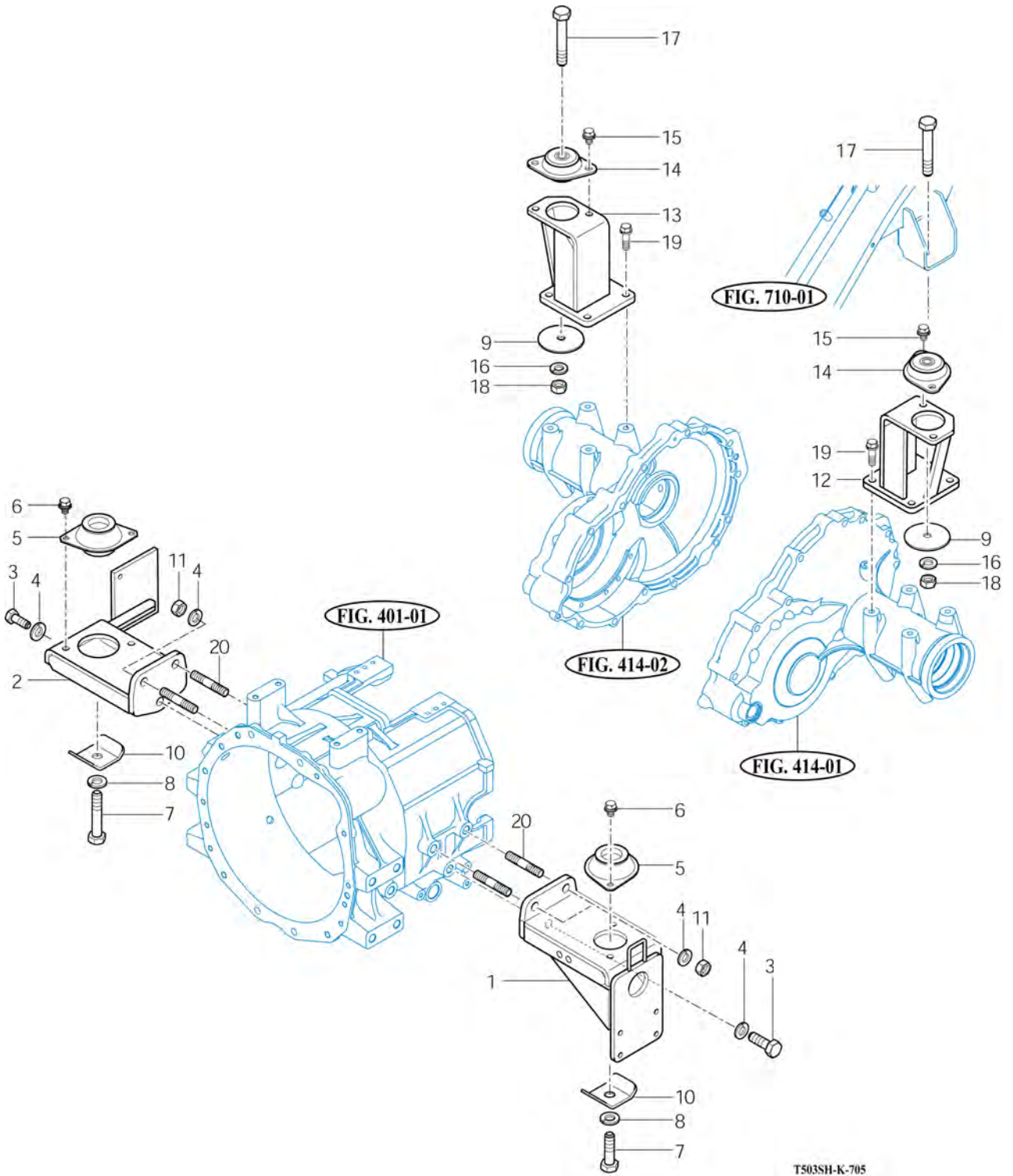
P1

Year / Month

2014 / 04



T554NH / T554SH / T454NH



T503SH-K-705

NOTE



# FIG 706

# SEAT & MAT

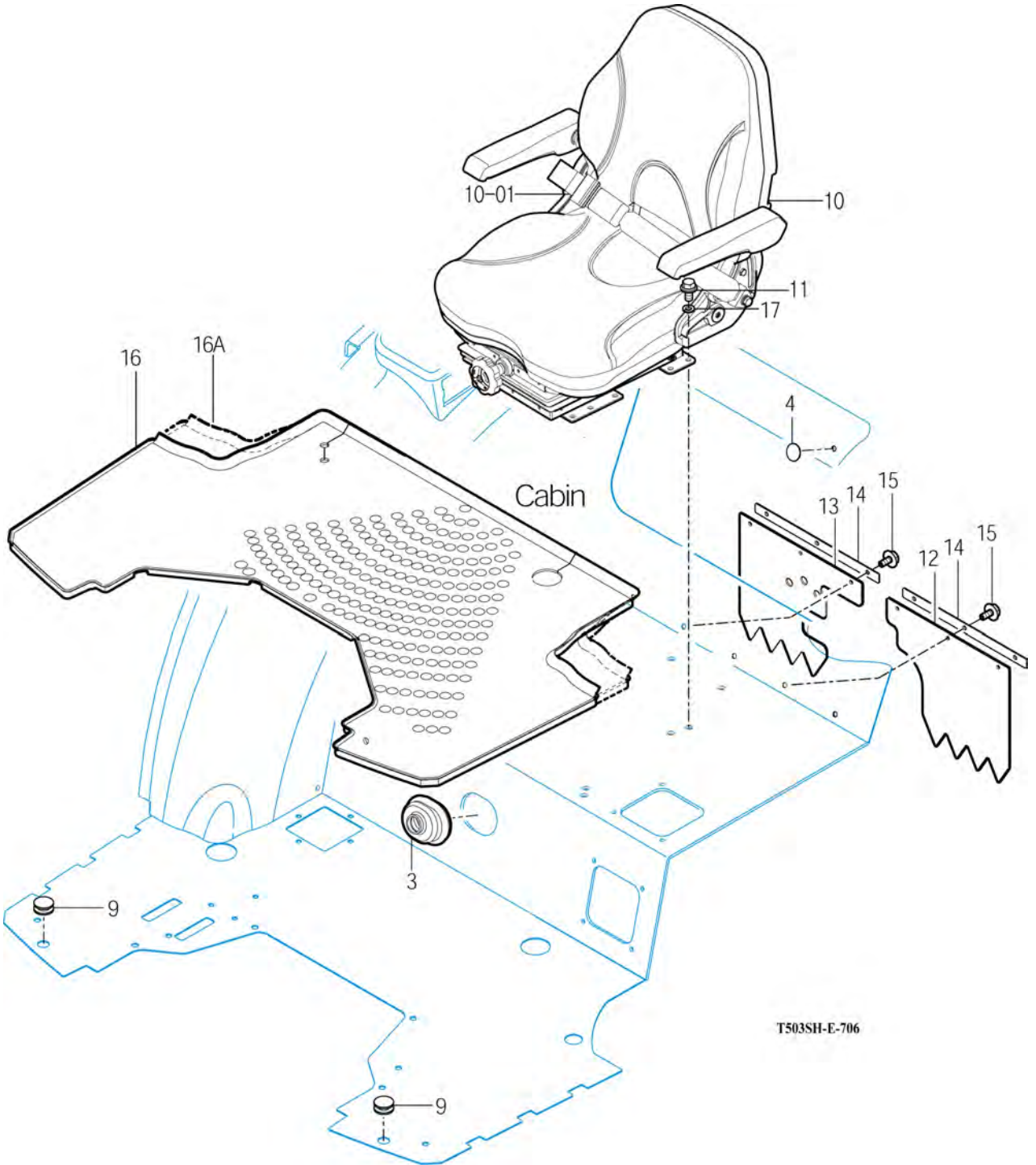
P1

Year / Month

2014 / 04



T554NH / T554SH / T454NH



T503SH-E-706

NOTE

# FIG 709

# DOOR

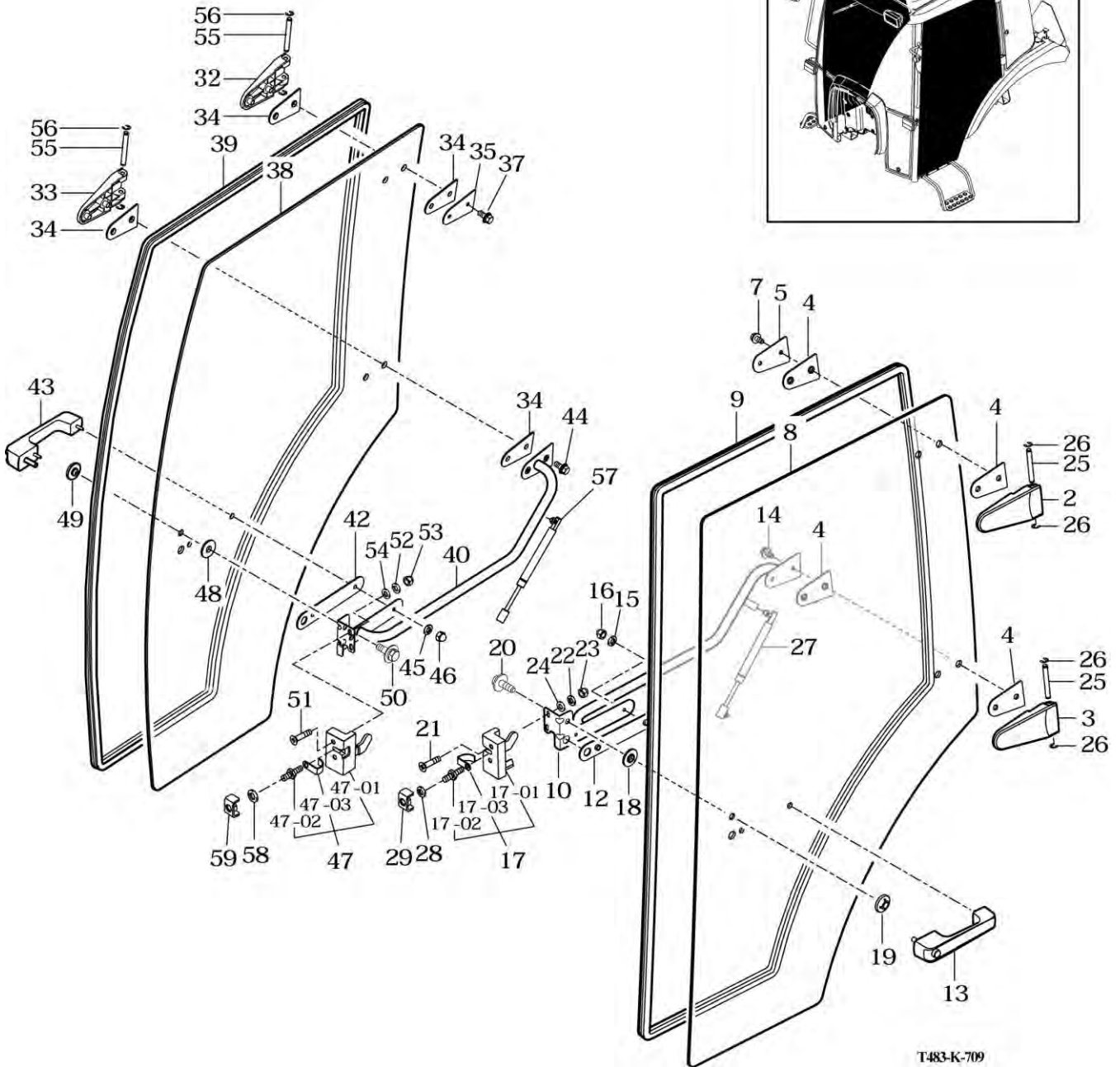
Year / Month

P1

2014 / 04



T554NH / T554SH / T454NH



NOTE



# FIG 709

# DOOR

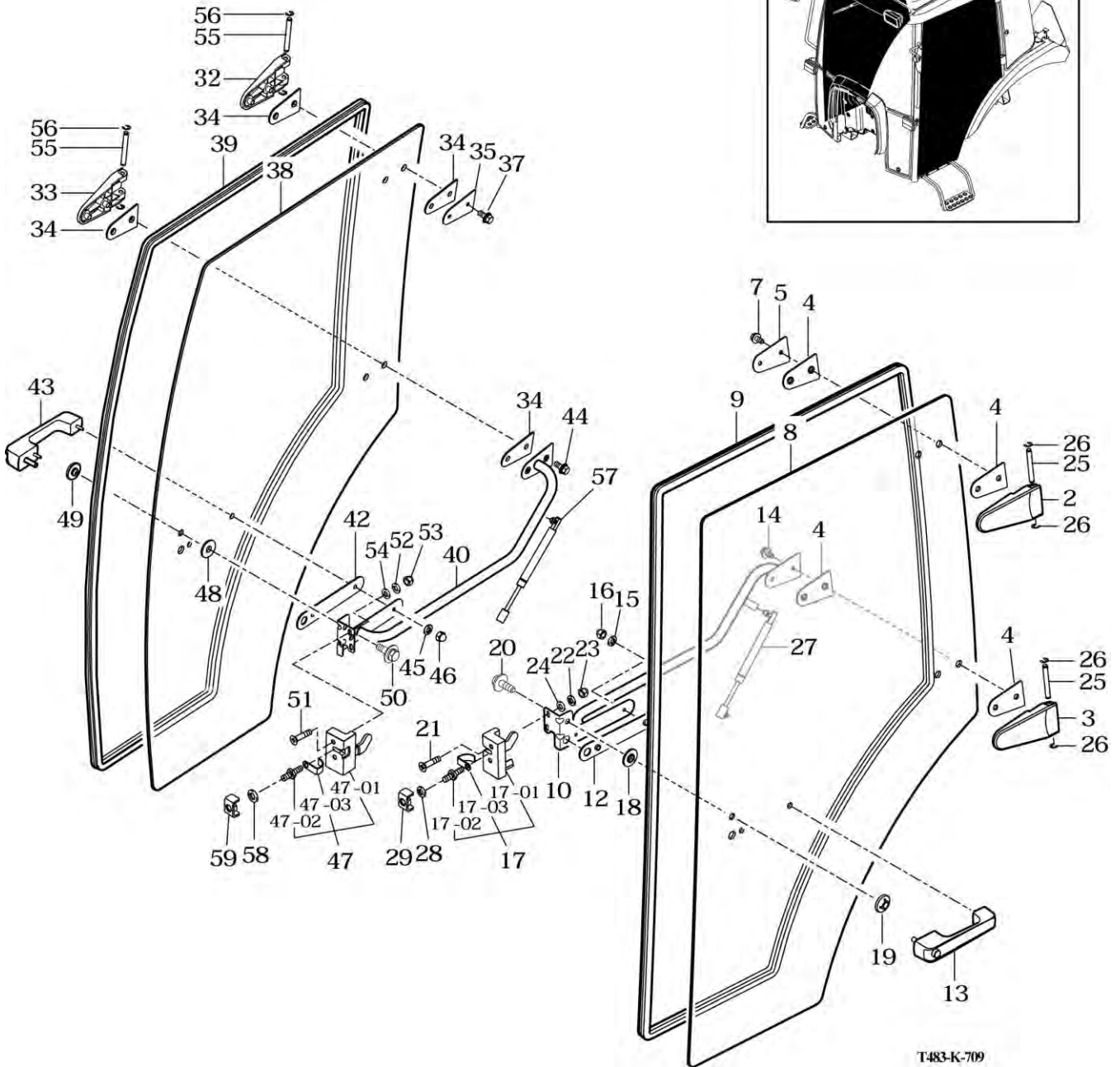
P2

Year / Month

2014 / 04



T554NH / T554SH / T454NH



T483-K-709

NOTE

# FIG 710A

# FRONT GLASS

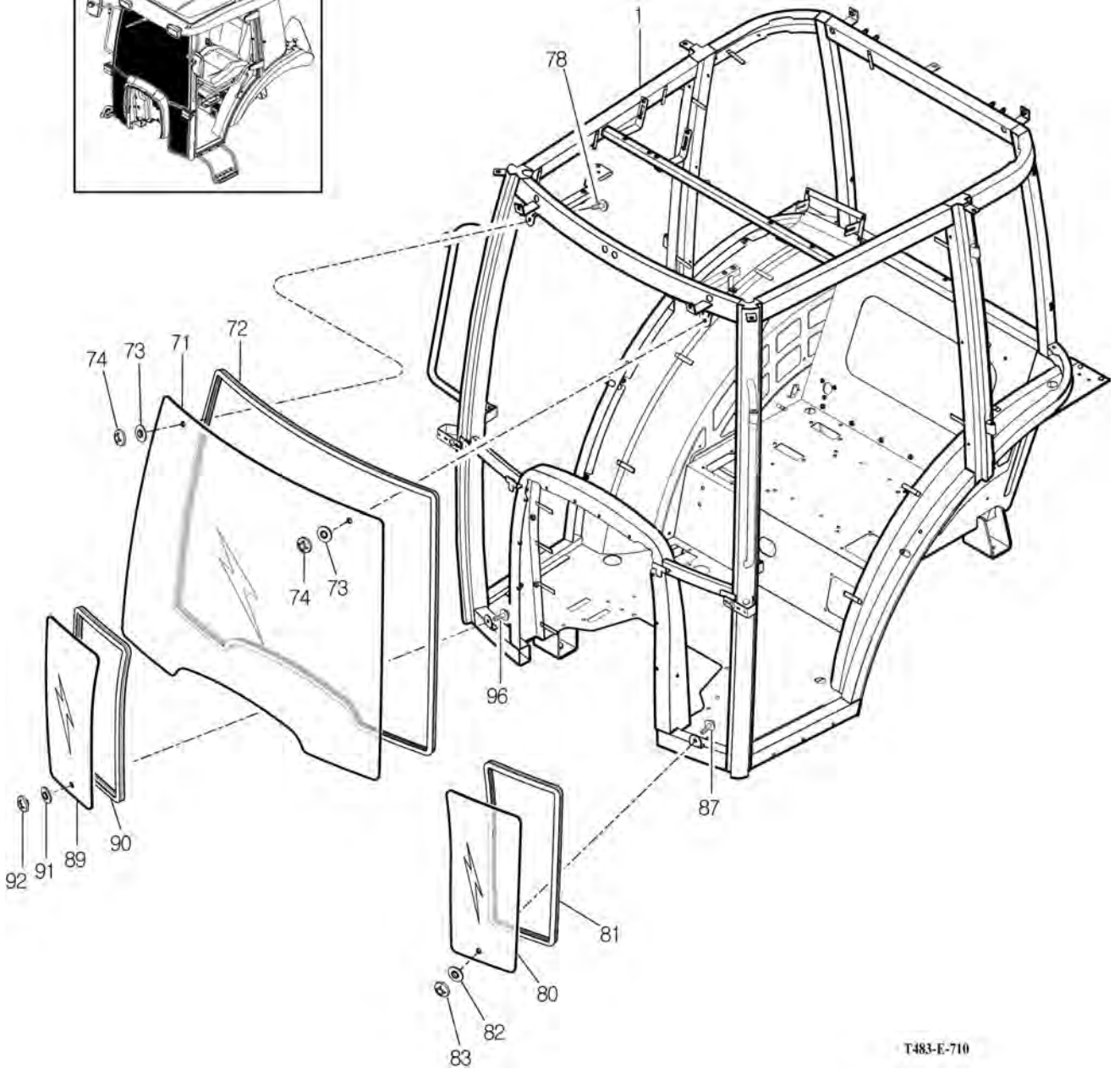
P1

Year / Month

2014 / 04



T554NH / T554SH / T454NH



T483-E-710

NOTE

# FIG 710B

# FRAME&2POLES ROPS-Non CAB

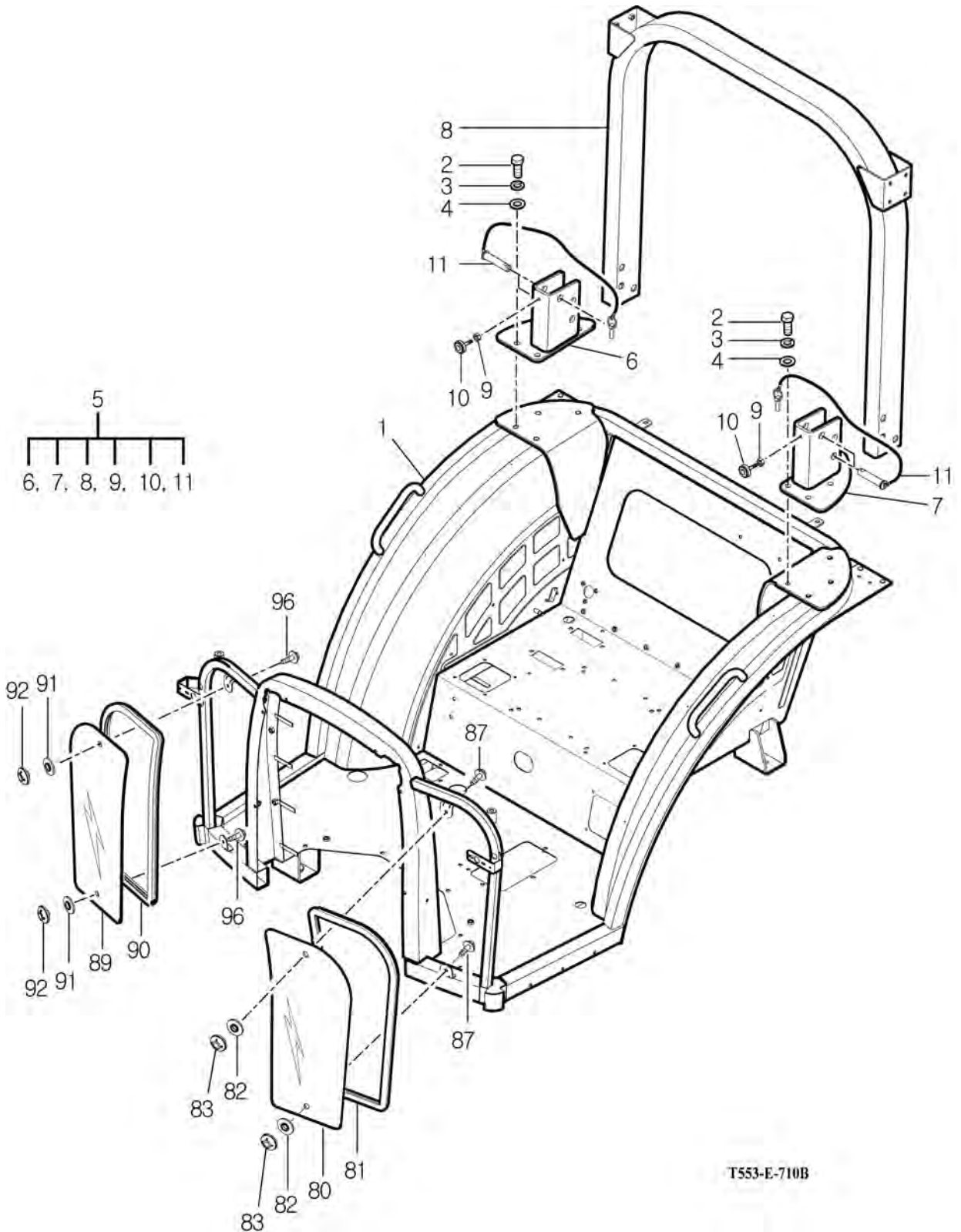
P1

Year / Month

2014 / 04



T554NH / T554SH / T454NH



T553-E-710B

NOTE



# FIG 711

# SIDE GLASS

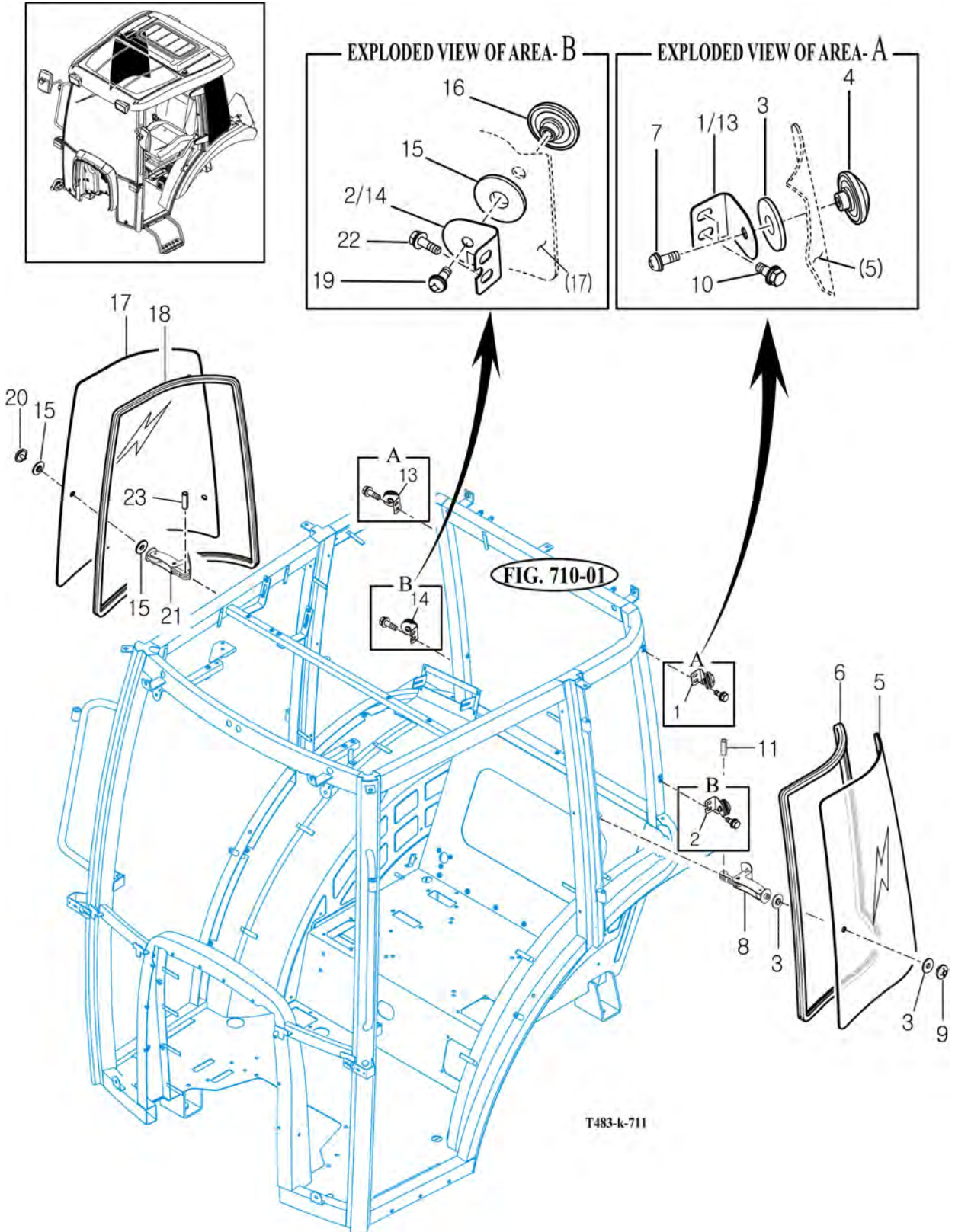
P1

Year / Month

2014 / 04



T554NH / T554SH / T454NH



NOTE

# FIG 712

# REAR GLASS

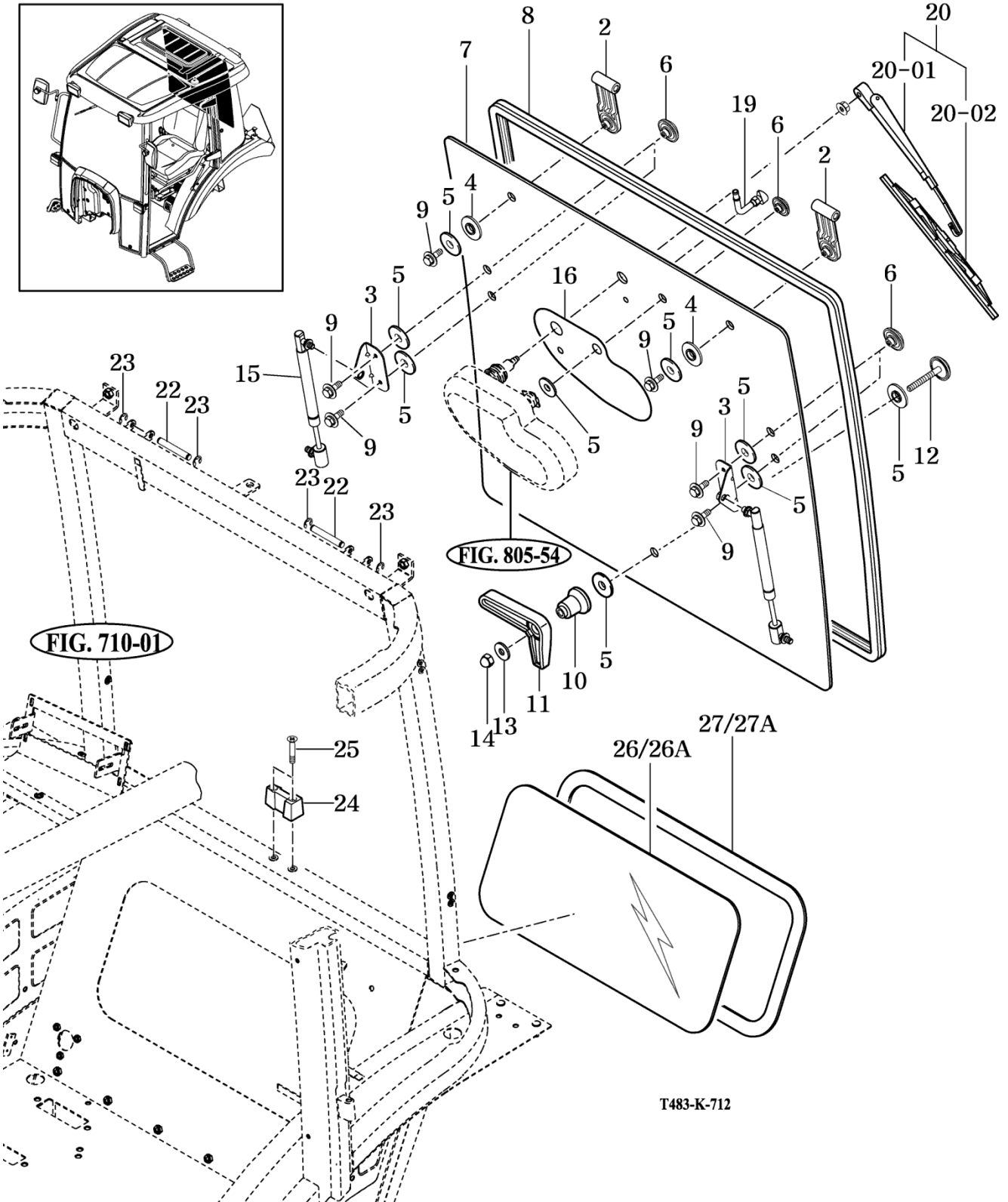
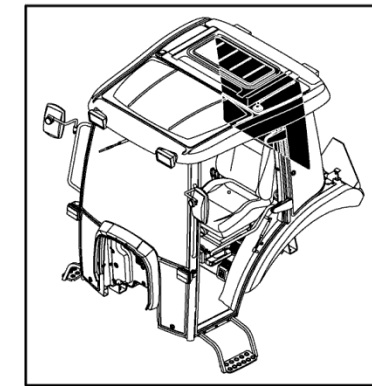
Year / Month

P1

2014 / 04



T554NH / T554SH / T454NH



T483-K-712

NOTE



# FIG 713A

# SUB FENDER & COVER

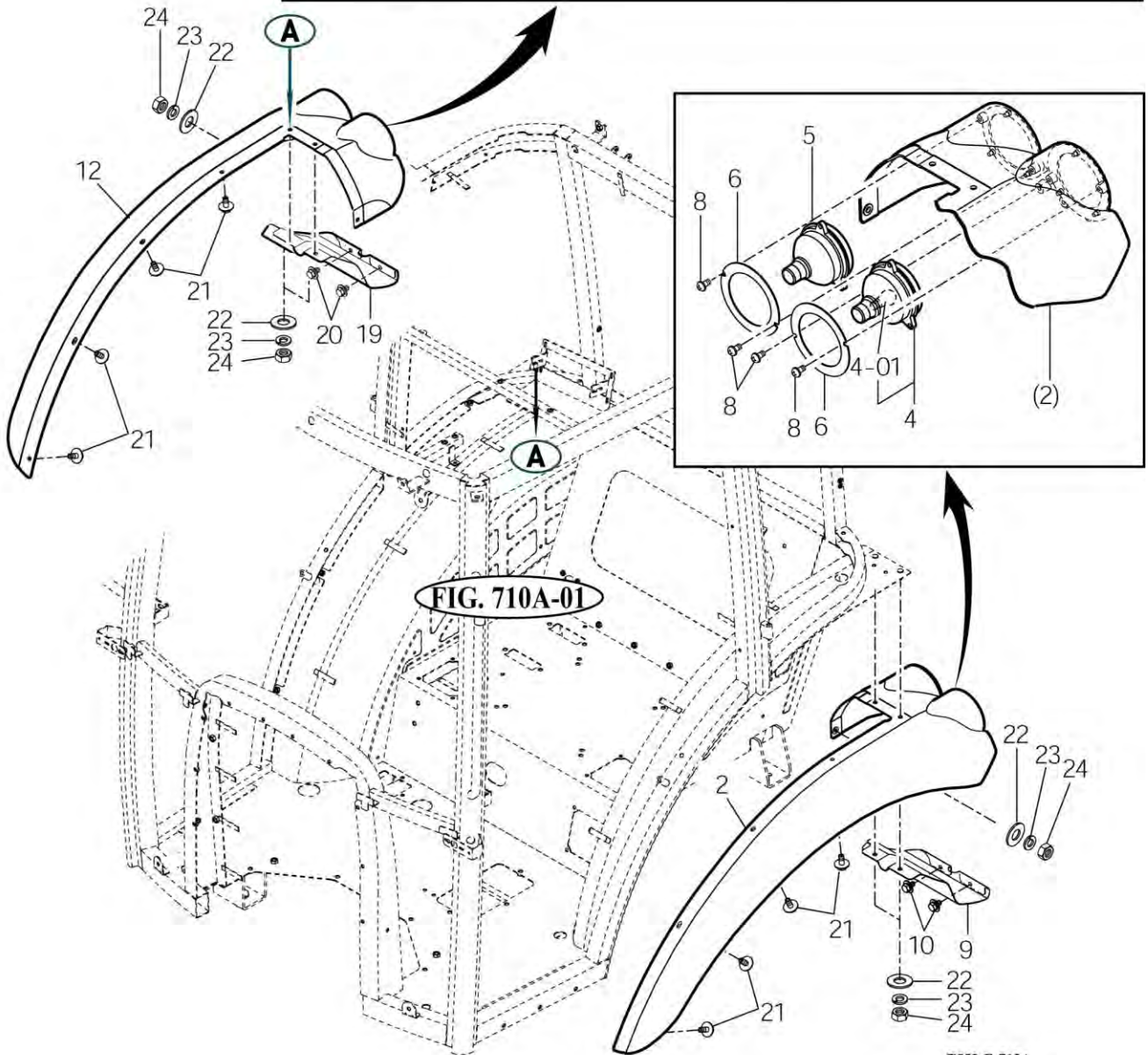
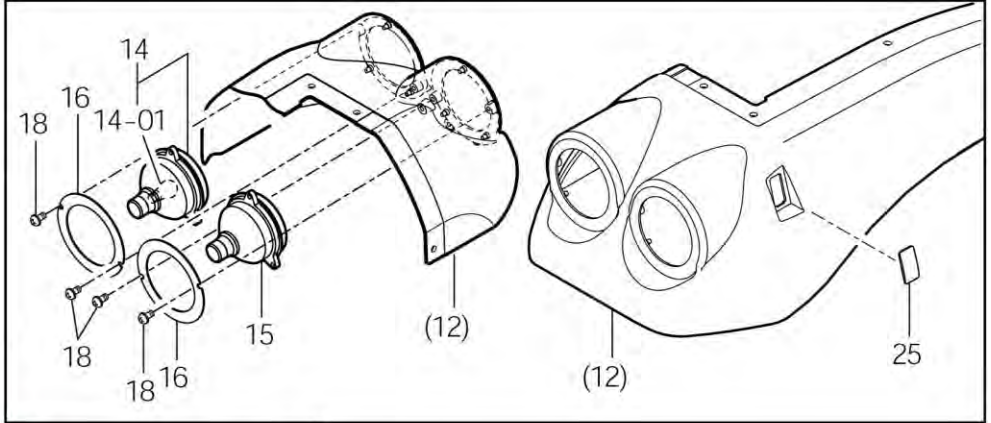
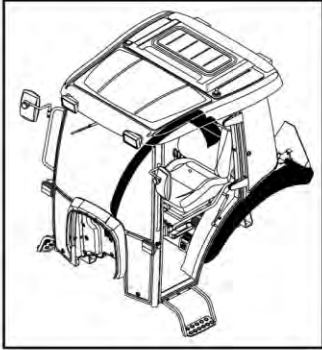
P1

Year / Month

2014 / 04



T554NH / T554SH / T454NH



T553-E-713A

NOTE

# FIG 713B

# SUB FENDER&COVER-Non CAB

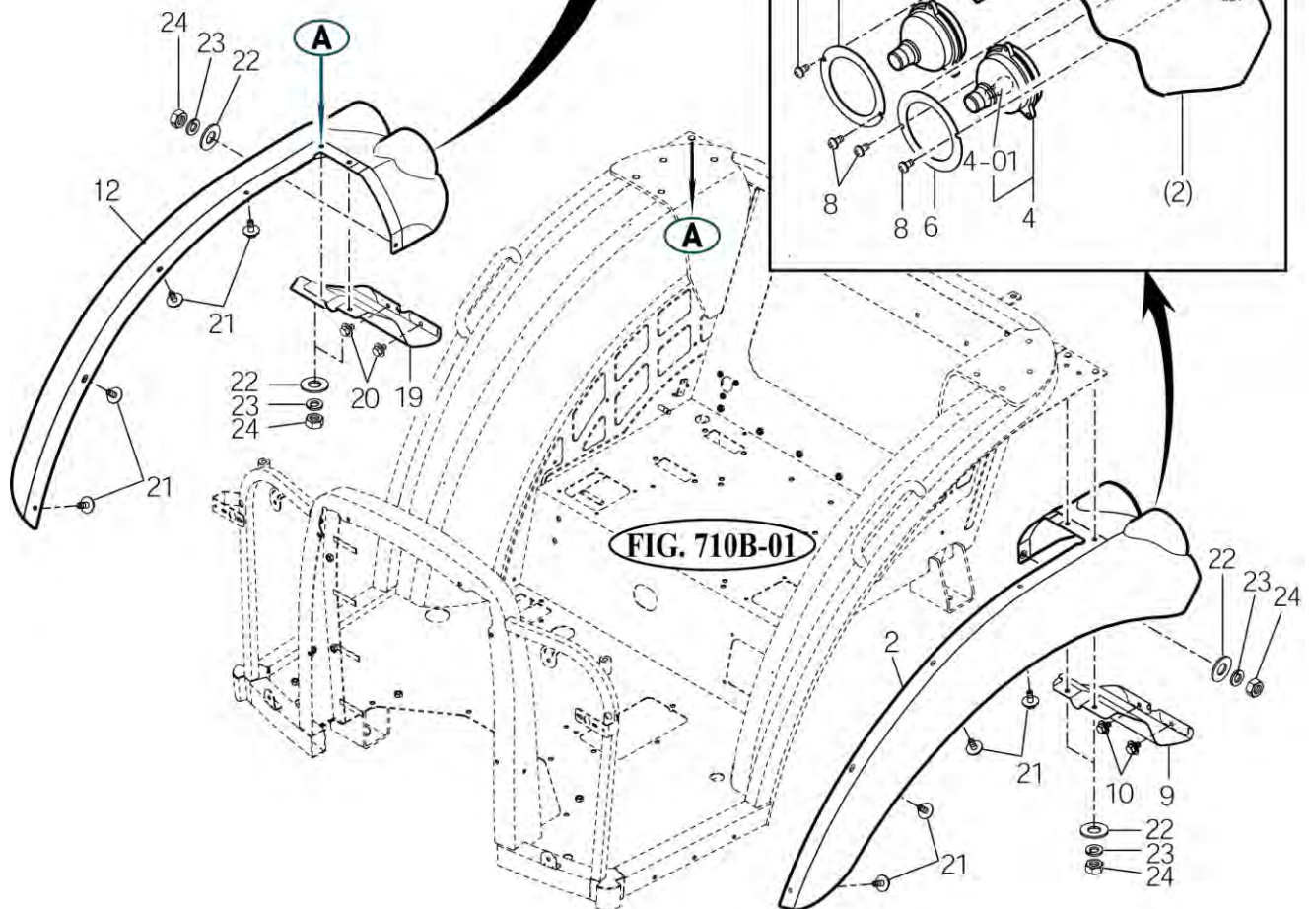
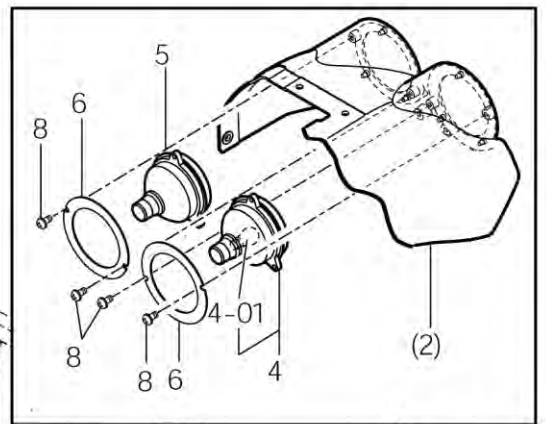
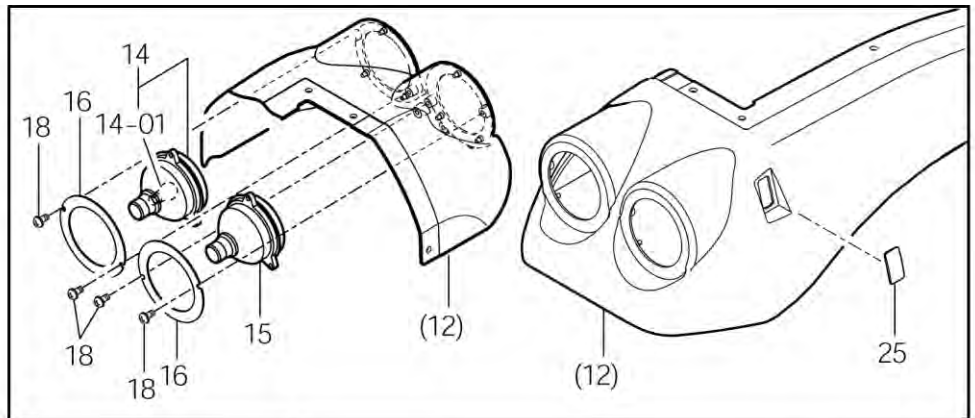
P1

Year / Month

2014 / 04



T554NH / T554SH / T454NH



T553-E-713B

NOTE



# FIG 714A

# MIRROR

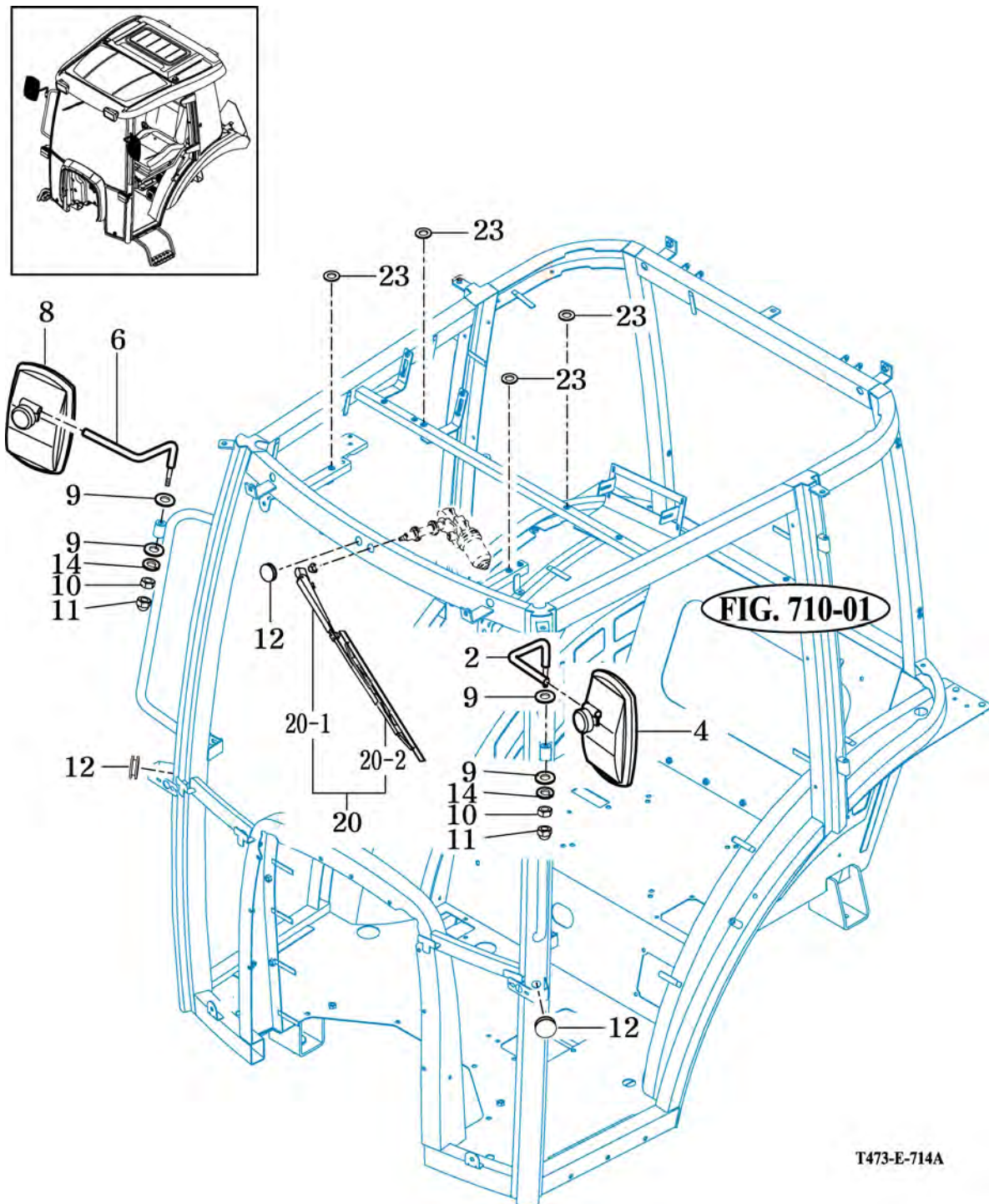
P1

Year / Month

2014 / 04



T554NH / T554SH / T454NH



NOTE

# FIG 714B

# MIRROR&WORKING LAMP-Non CAB

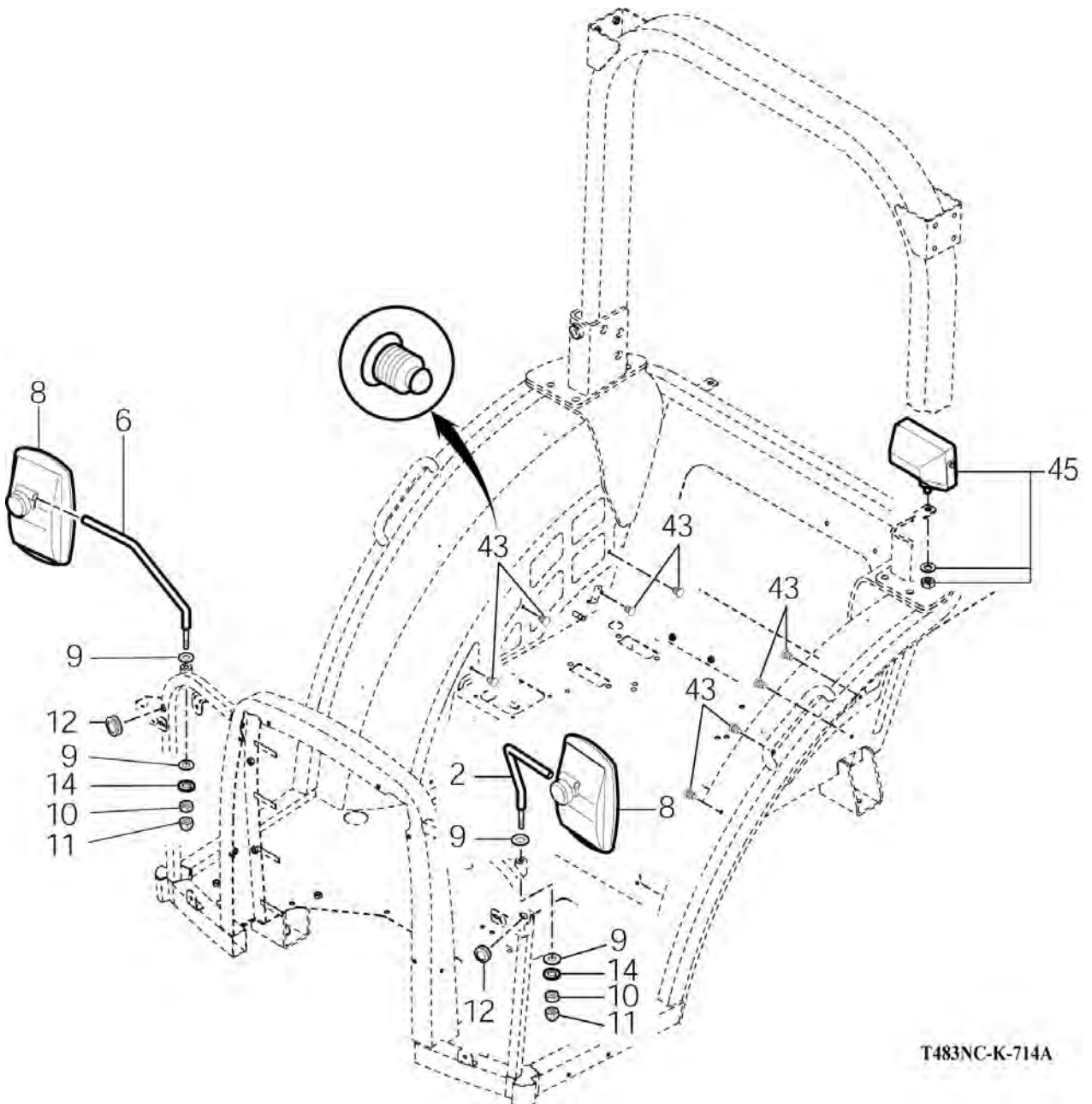
P1

Year / Month

2014 / 04



T554NH / T554SH / T454NH



T483NC-K-714A

NOTE

# FIG 715A

# HEATER & AIR-CON

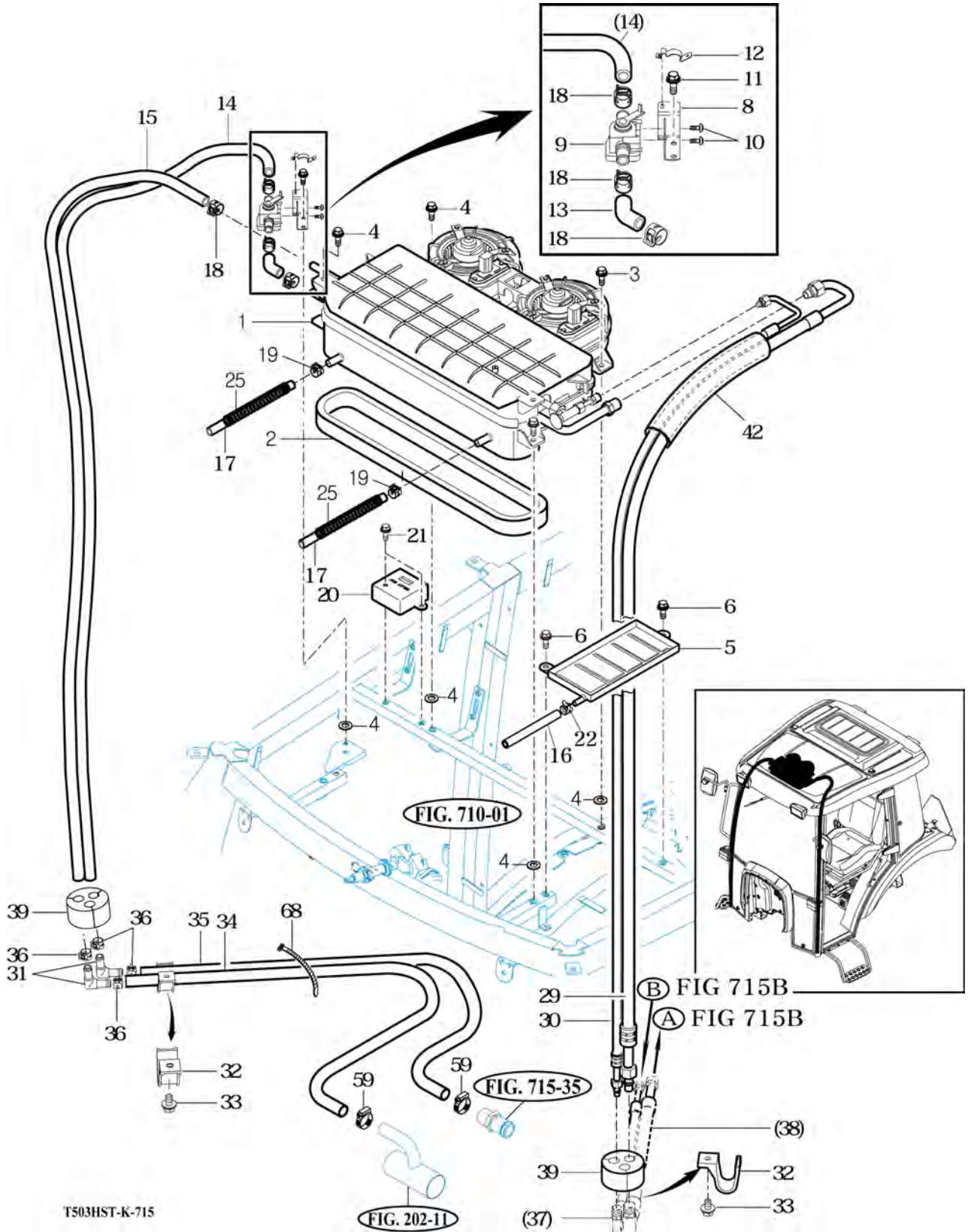
P1

Year / Month

2014 / 04



T554NH / T554SH / T454NH



T503HST-K-715

NOTE



# FIG 715B

# HEATER & AIR-CON

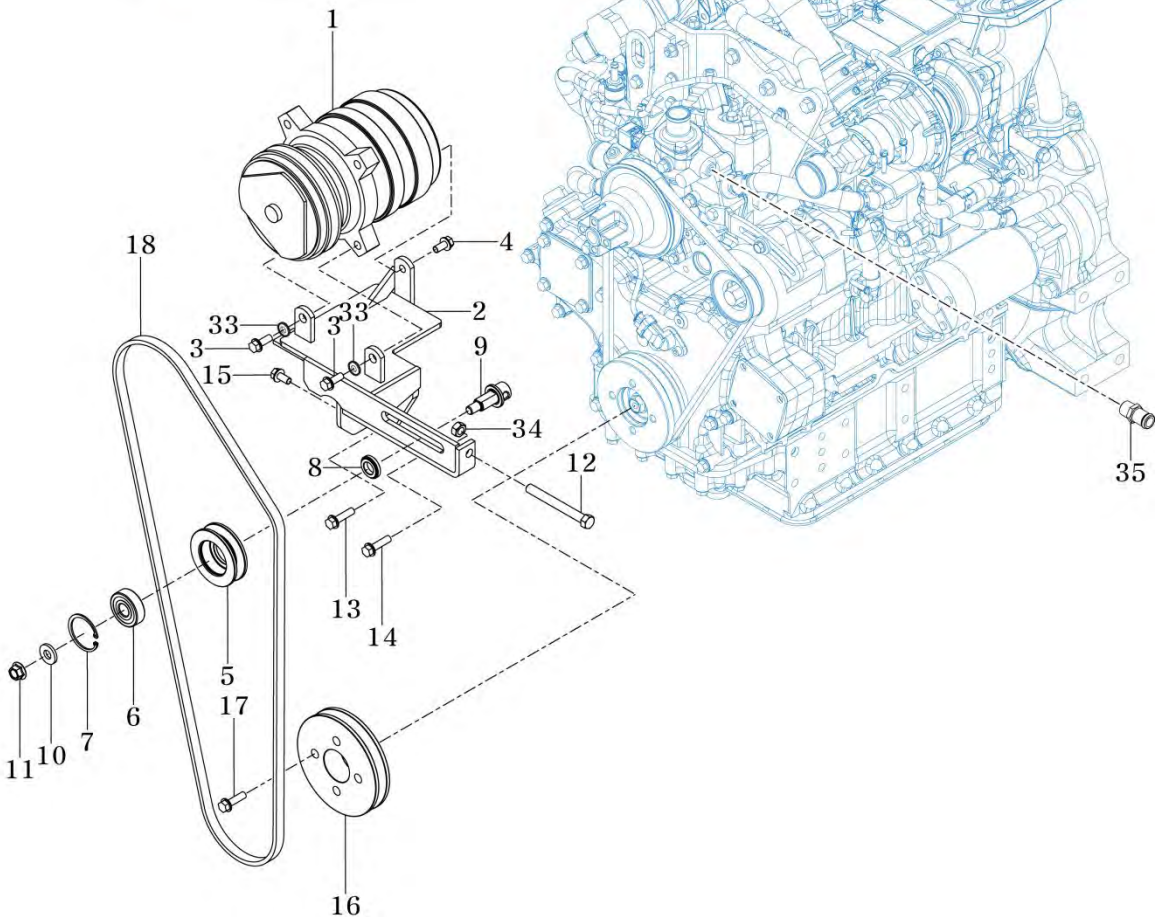
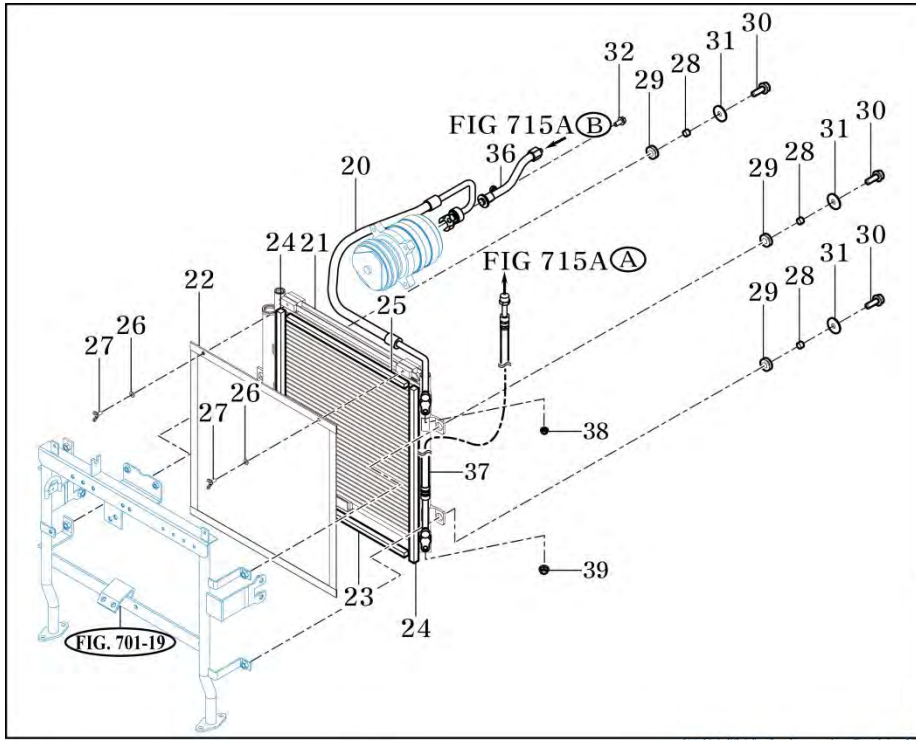
P1

Year / Month

2014 / 04



T554NH / T554SH / T454NH



NOTE

# FIG 716

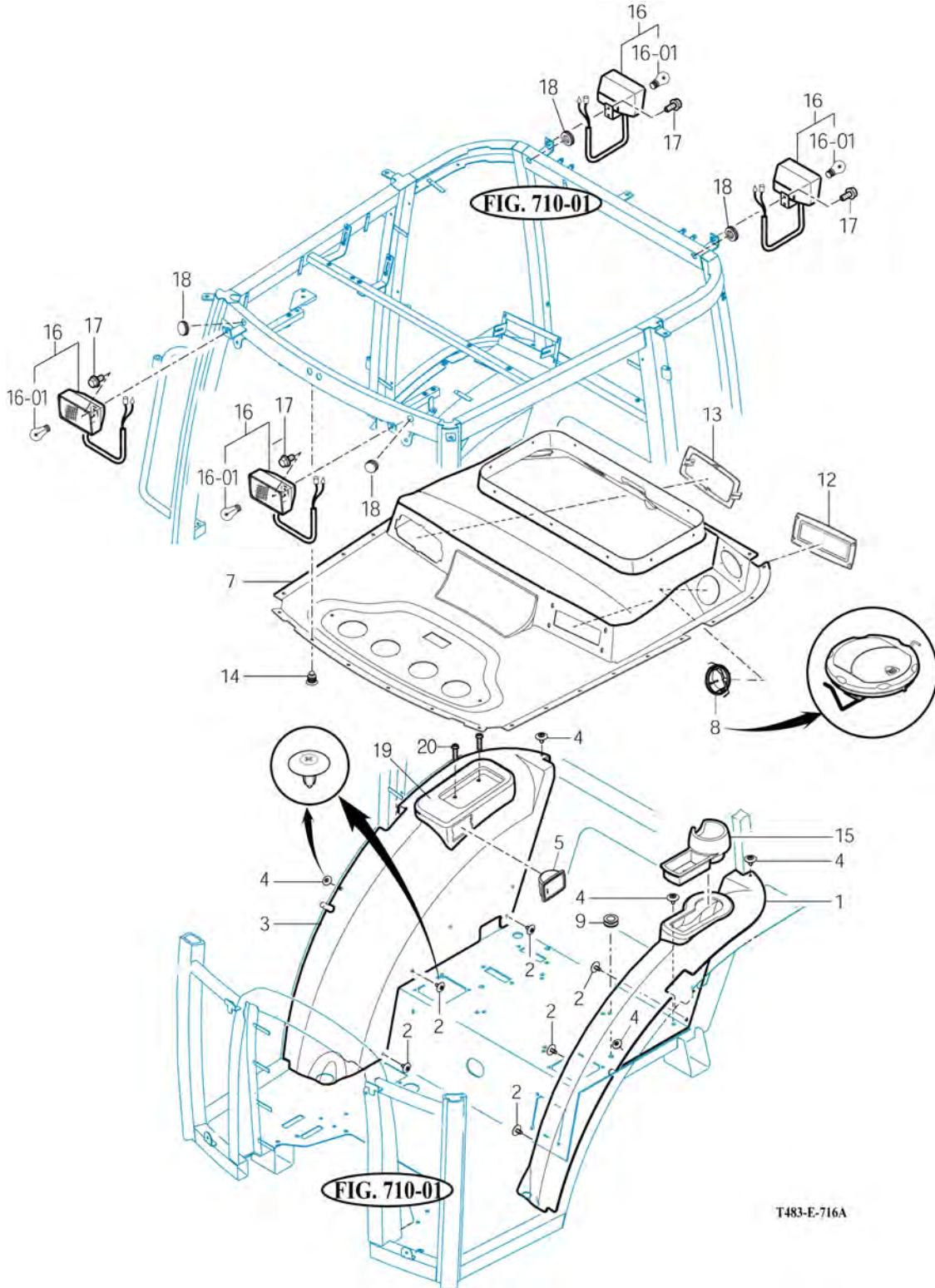
# FENDER COVER

T554NH / T554SH / T454NH

P1

Year / Month

2014 / 04



T483-E-716A

NOTE

# FIG 717

# ROOF

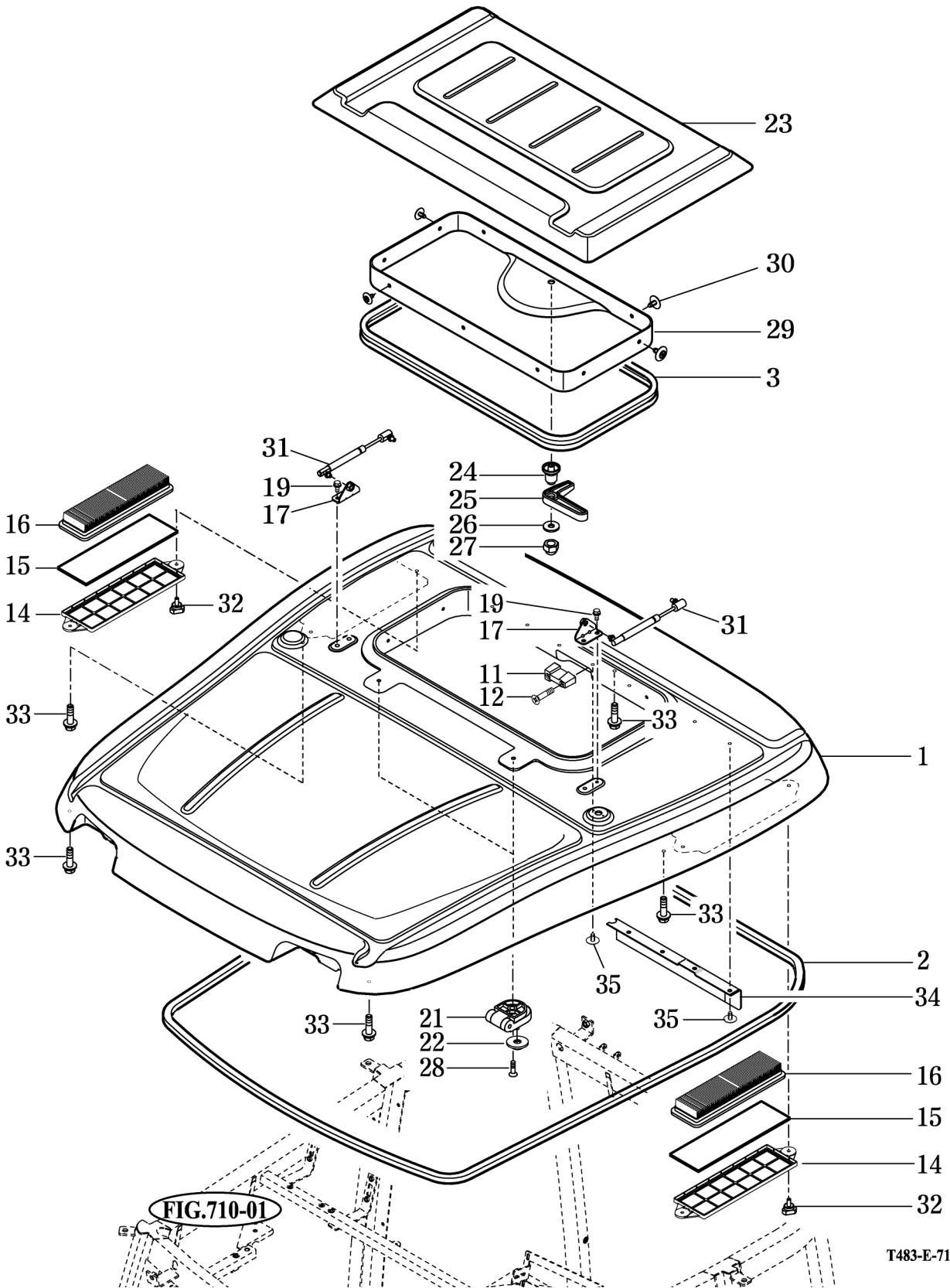
P1

Year / Month

2014 / 04



T554NH / T554SH / T454NH



NOTE



# FIG 718

# CABIN INTERIOR

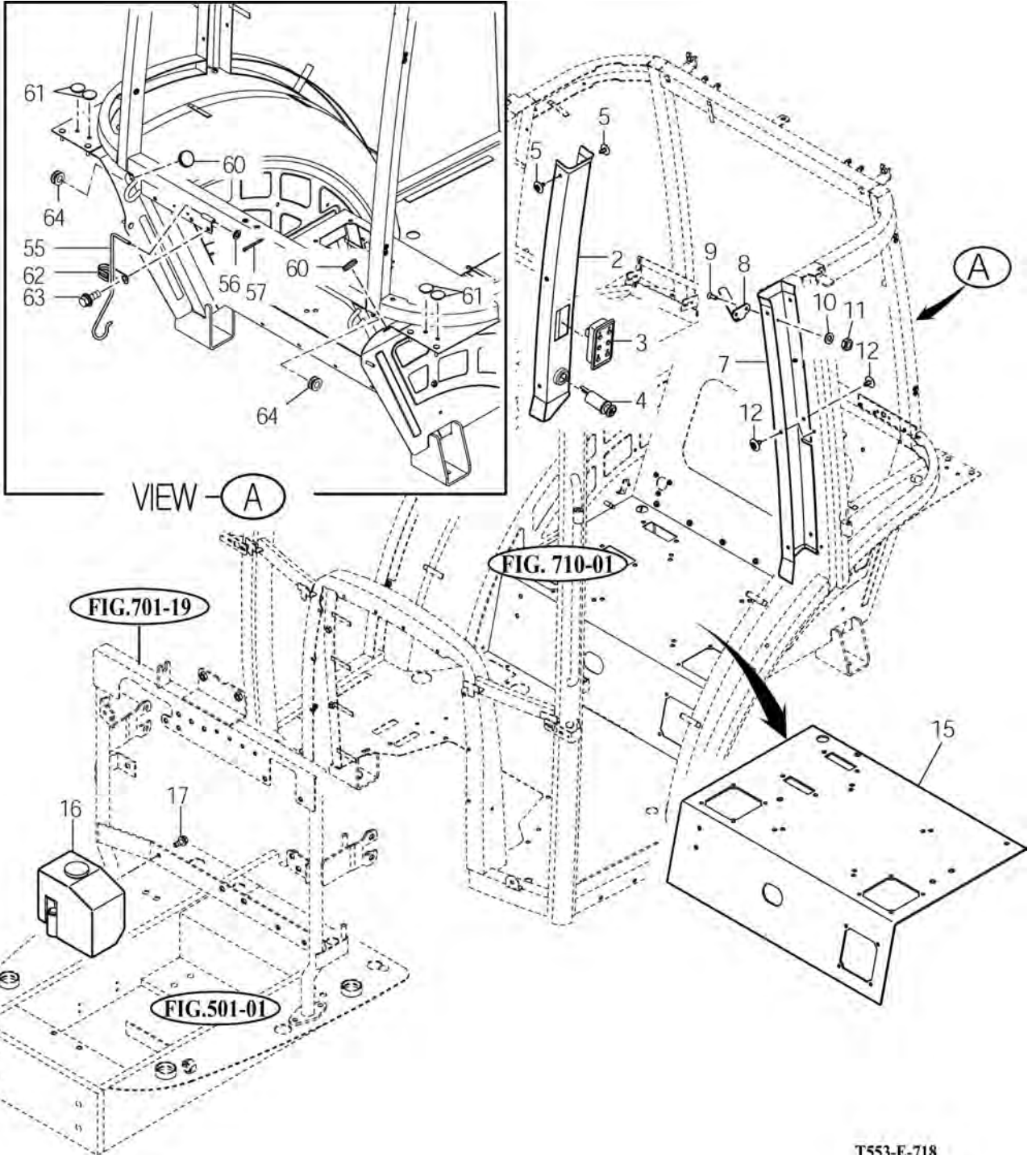
P1

Year / Month

2014 / 04



T554NH / T554SH / T454NH



T553-E-718

NOTE

# FIG 719

# PEDAL SUB ASSY

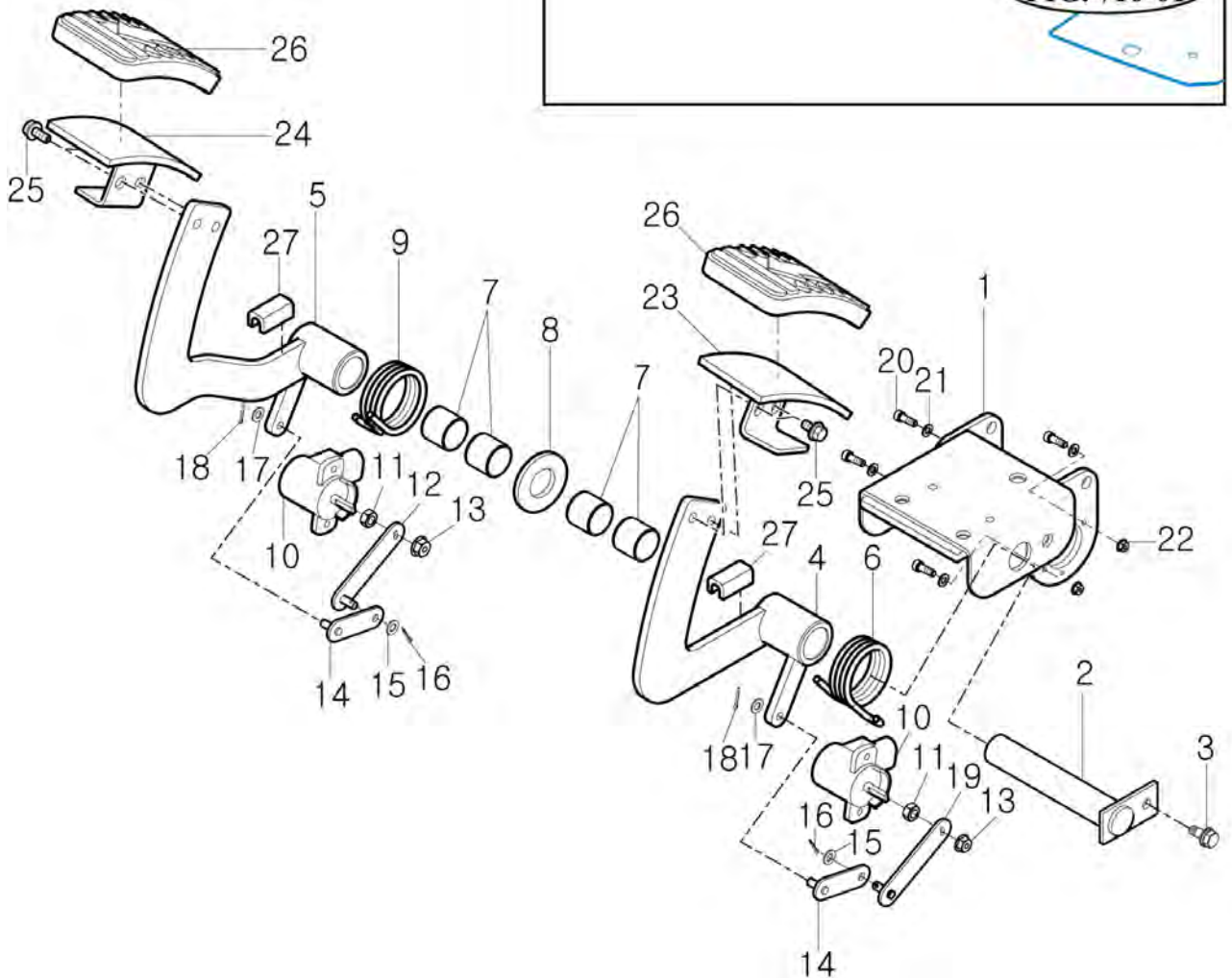
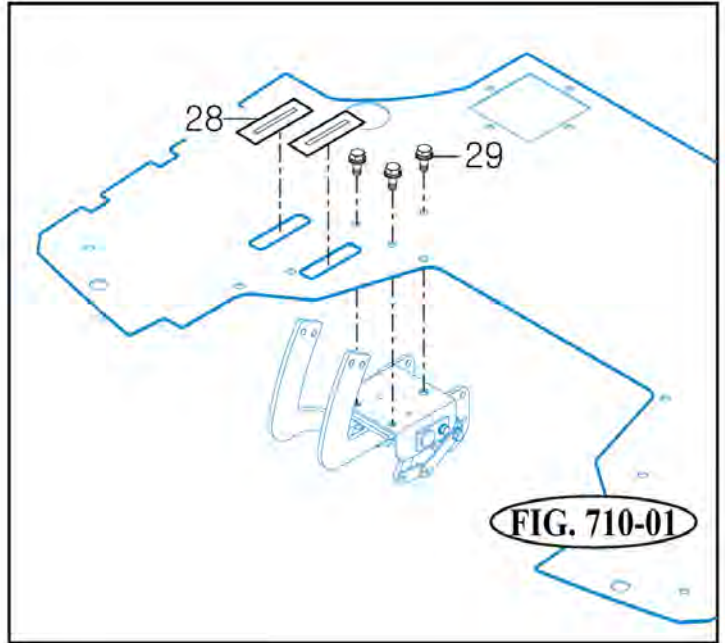
P1

Year / Month

2014 / 04



T554NH / T554SH / T454NH



NOTE



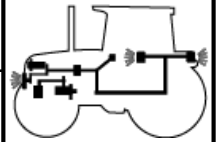
# FIG 801

# BATTERY & MOUNTING

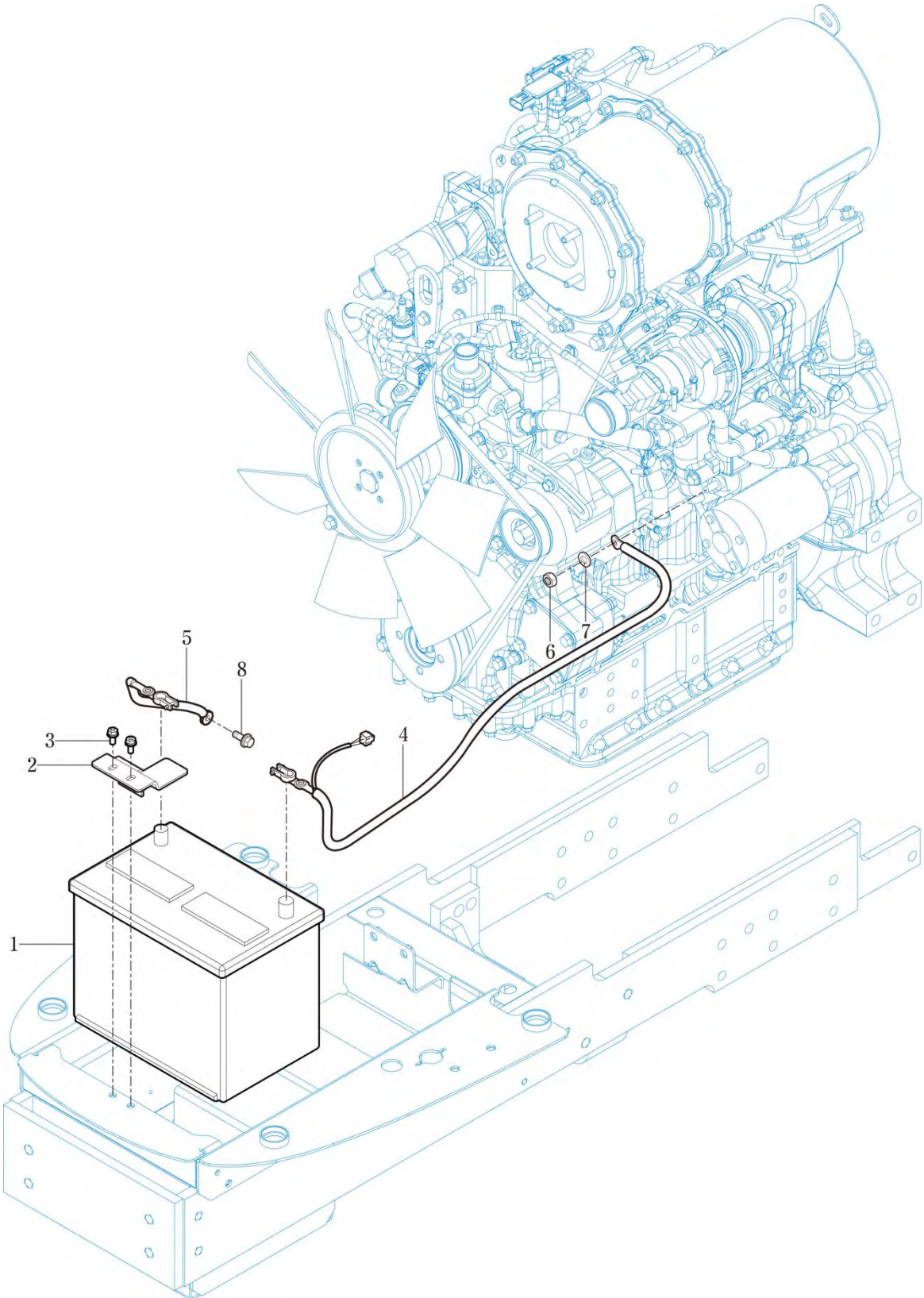
P1

Year / Month

2014 / 04



T554NH / T554SH / T454NH



NOTE



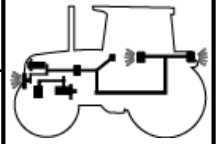
FIG 803

INSTRUMENT PANEL

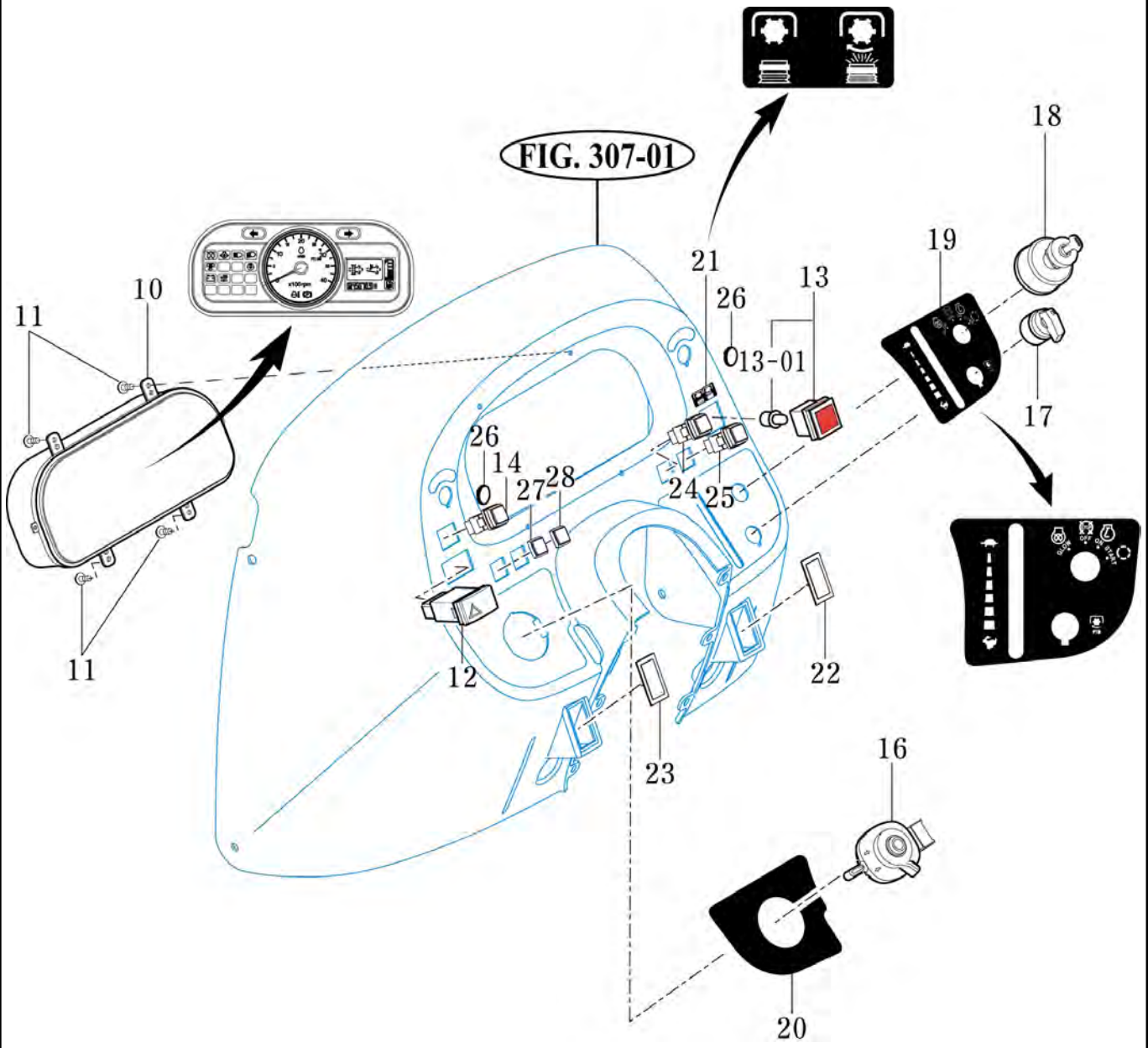
P1

Year / Month

2014 / 04



T554NH / T554SH / T454NH



NOTE



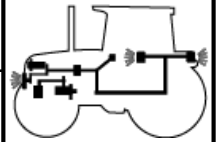
# FIG 804

# ELECTRIC SYSTEM (1)

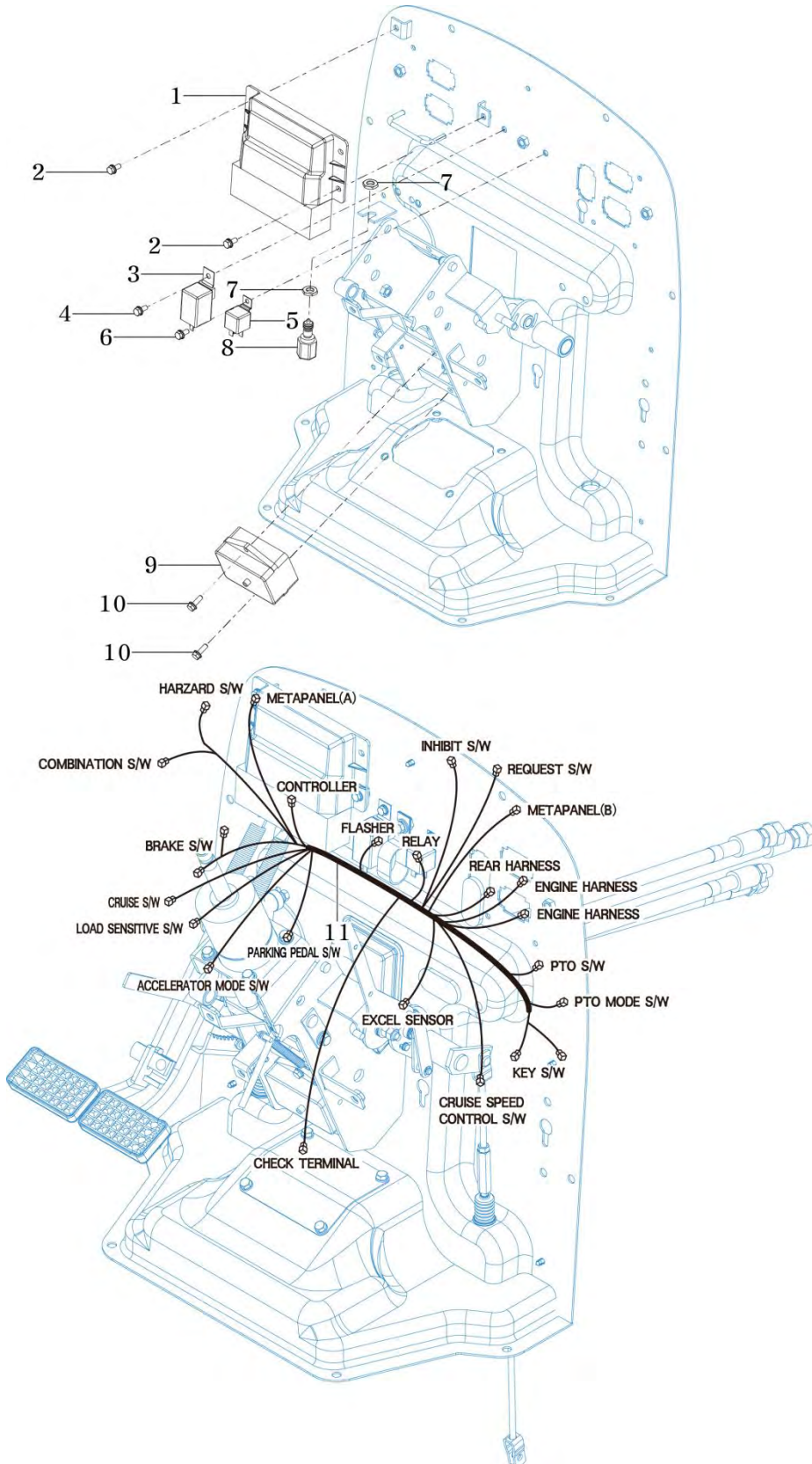
P1

Year / Month

2014 / 04



T554NH / T554SH / T454NH



NOTE

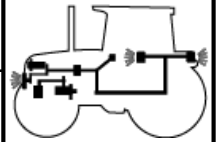
# FIG 805A

# ELECTRIC SYSTEM (2)

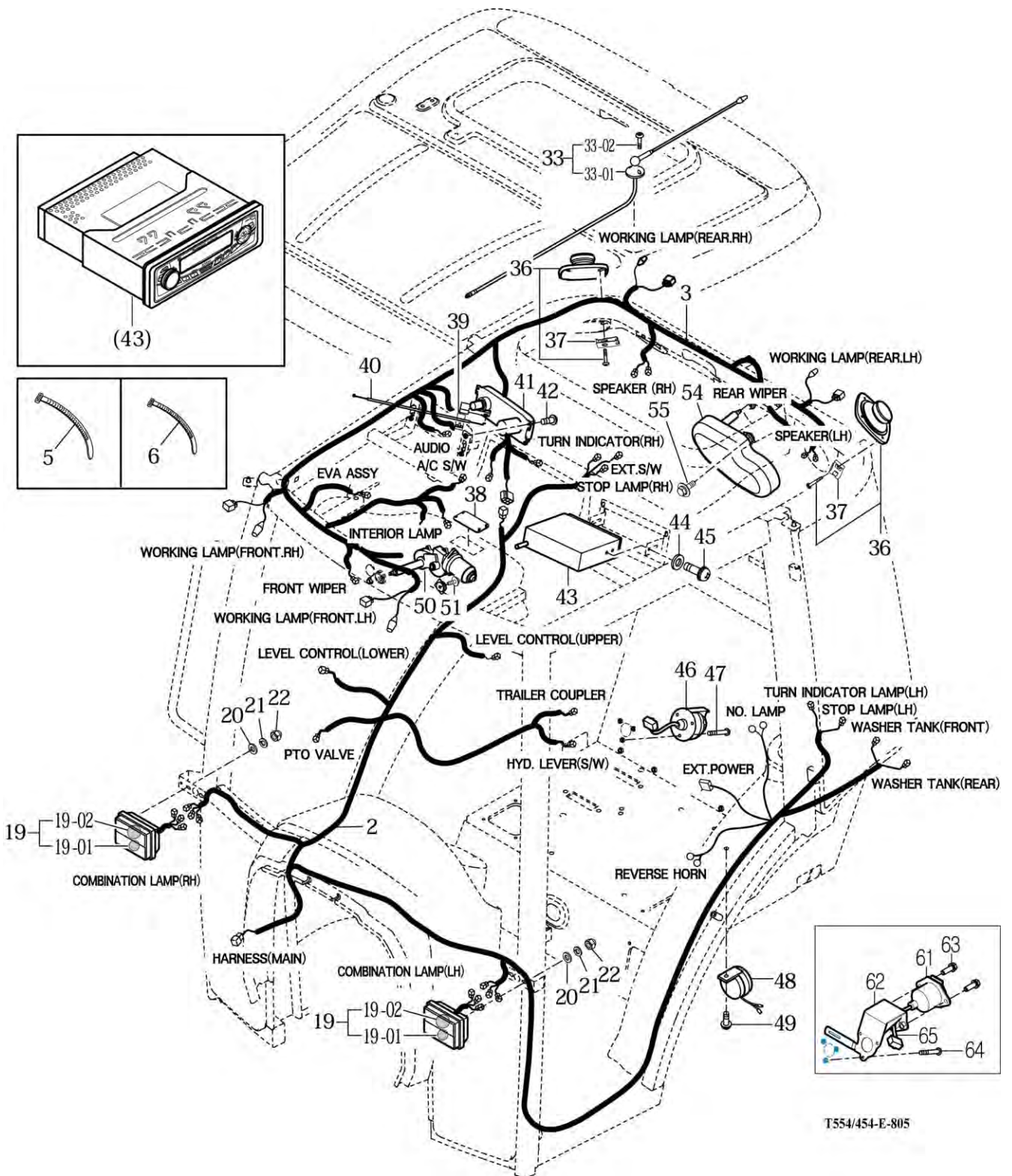
P1

Year / Month

2014 / 04



T554NH / T554SH / T454NH



T554/454-E-805

NOTE



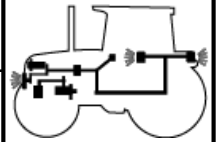
FIG 805B

ELECTRIC SYSTEM (2)-Non CAB

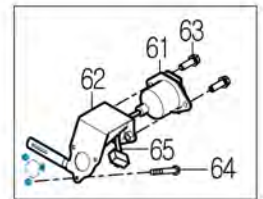
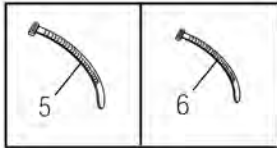
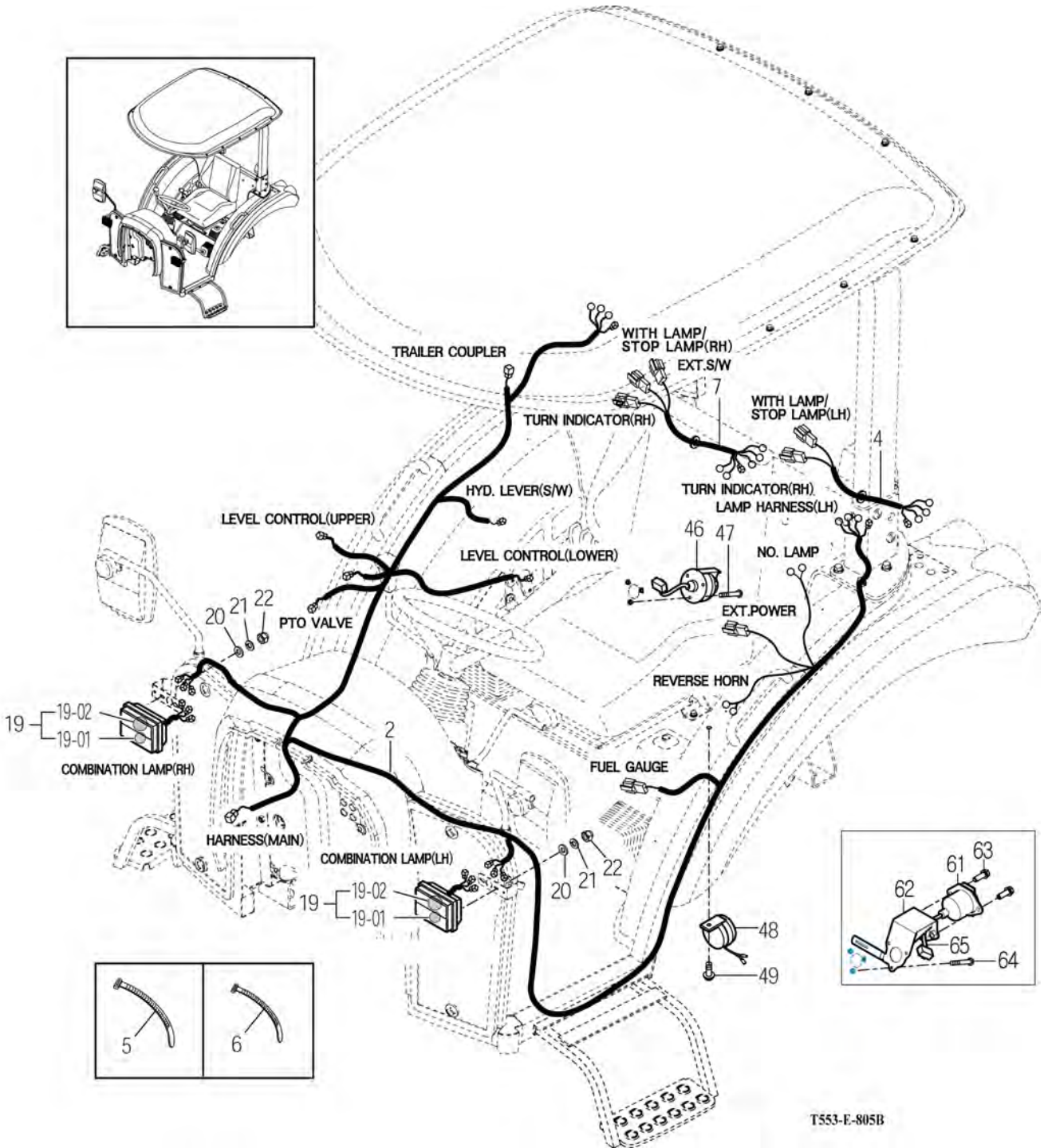
P1

Year / Month

2014 / 04



T554NH / T554SH / T454NH



T553-E-805B

NOTE

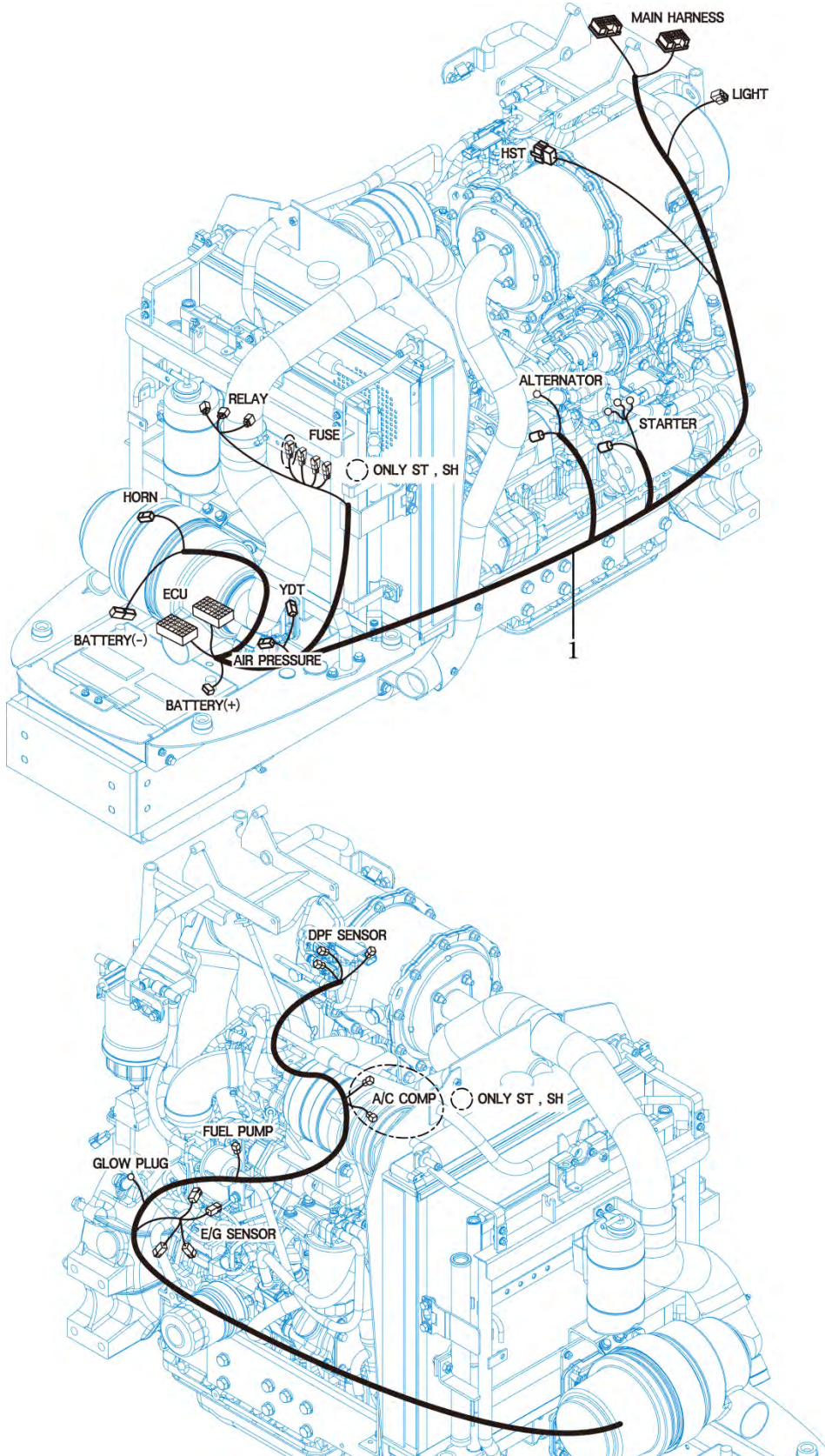
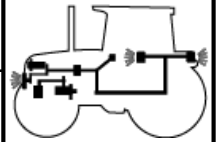
FIG 806

ELECTRIC SYSTEM (3)

P1

Year / Month

2014 / 04



NOTE

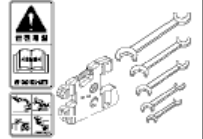
FIG 901

TOOL & ACCESSORY

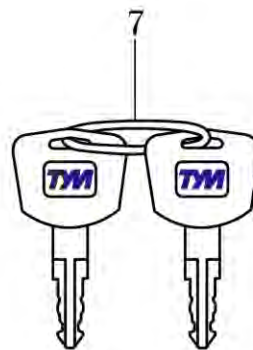
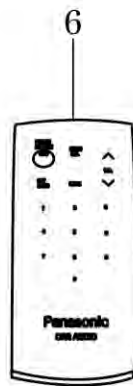
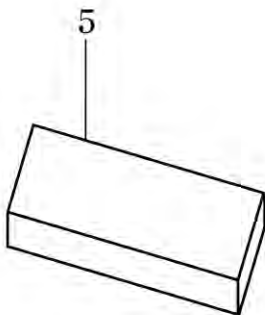
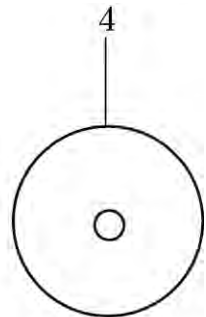
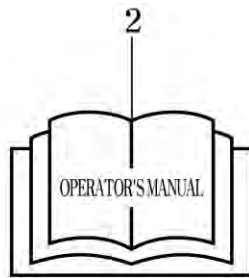
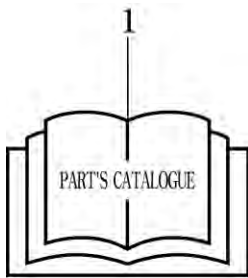
P1

Year / Month

2014 / 04



T554NH / T554SH / T454NH



T554/T454-F-901

NOTE



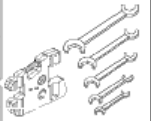
FIG 902

LABEL

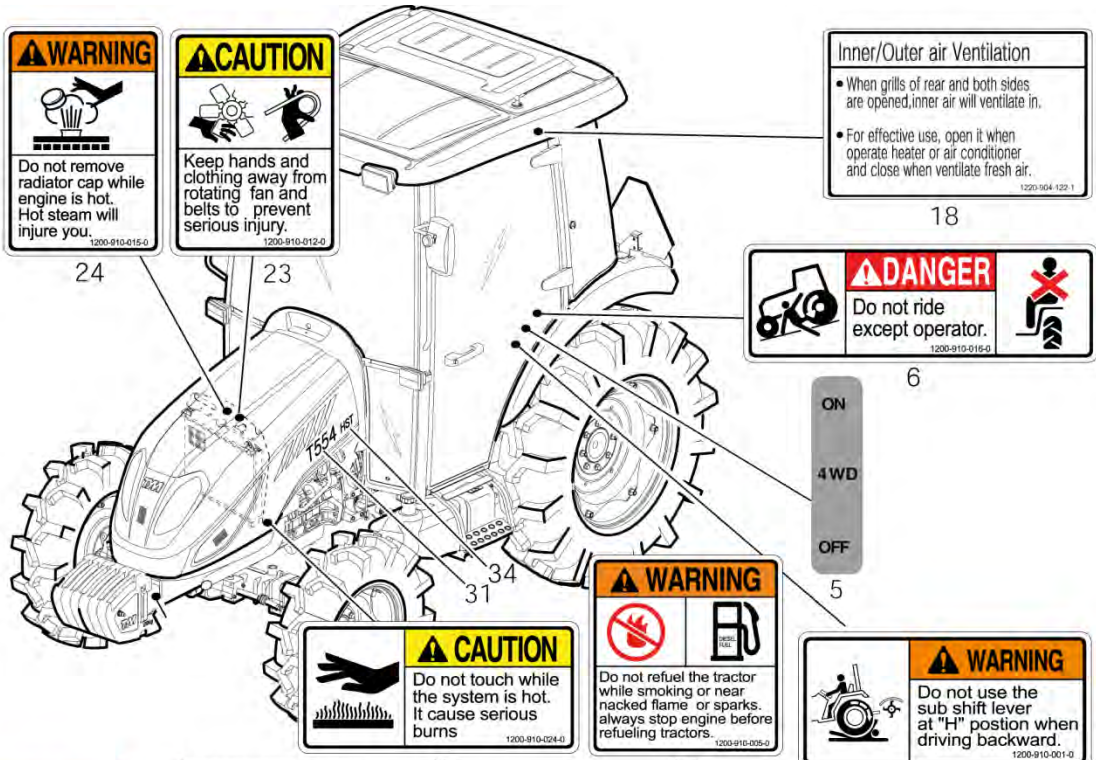
P1

Year / Month

2014 / 04



T554NH / T554SH / T454NH



**DANGER**  
This Tractor may tip over unexpectedly and quicker than an operator is able to jump free

1. Never operate a tractor without a proper Roll over Protection Structure (ROPS)
2. Always wear your seat belt when operating this tractor equipped with roll over protection.
3. Never pull from above or from the rear axle.
4. Do not operate the tractor on steep slopes or near drop offs
5. Avoid sharp high speed turns

Serious injury or death may result from tractor upsets.  
1220-904-501-0

TONG YANG MOOLSAN

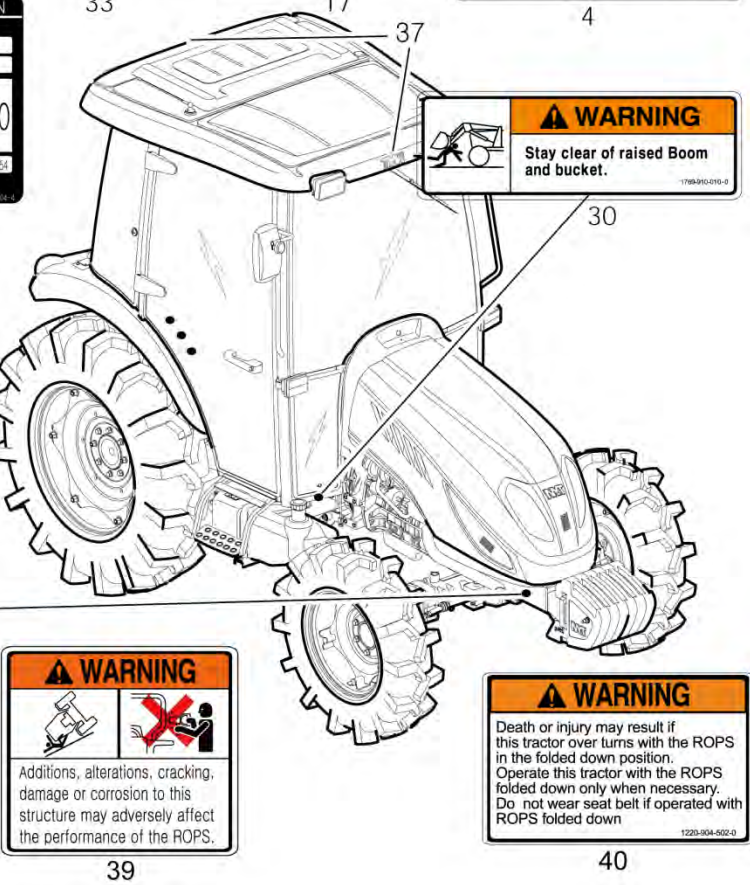
SERIAL NUMBER	TYPE
00001	T-PP2
REG APPROVAL NO.	T-RP3-4/1/329
S e13 0210	
MODEL	T454, T554, T554H, T554S, T554SH, T554NH

TONG YANG MOOLSAN

SERIAL NUMBER	TYPE
00001	T-PP2
REG APPROVAL NO.	4/0 594
S e13 0211	
MODEL	T454, T554, T554H, T554S, T554SH, T554NH

**TYM**

MODEL	
TYPE	
ENGINE	
SERIAL NO.	
MANUFACTURER: TONG YANG MOOLSAN CO., LTD	
ADDRESS	: 81NOHEQ2-CONGNGWAI-GUSEU, KOREA
TEL	: 82-2-3014-2800



NOTE



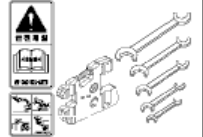
# FIG 902

# LABEL

P2

Year / Month

2014 / 04



T554NH / T554SH / T454NH



**WARNING**

LOCK → UNLOCK  
LOCK BUTTEN

Push the button to lock position with joystick lever is neutral whenever the implement is not operation.

1769-910-029-0

21

**WARNING**

FAST SLOW (LOCK)

Always set the knob to lock when  
1. Travelling on the road.  
2. Replacing blades on an implement  
3. Making adjustment to an implement  
Sudden dropping of an implement can cause serious injury or death.

1200-910-004-0

13

**WARNING**

- Start engine only from operators seat. If safety start switch is bypassed engine can start with transmission in gear.
- Do not connect or short across terminal on starter solenoid.
- Attach booster cables as shown on battery decal and operators manual.

Starting in gear causing runaway can result in serious injury.

35

**WARNING**

(P)

Always apply the park brake when parking. Failure to do so can cause accidents and damages.

1200-910-022-0

11

**WARNING**

Brake pedals must always be locked together when travelling on the highway. This will ensure uniform braking and provide maximum stopping ability sharp turns must only be made at slow speeds.

1200-910-007-0

15

**WARNING**

Do not adjust the tilt handle when traveling.

1200-910-008-0

16

**WARNING**

Never use the diff-lock at high speed or on the road as this can cause rollover and injury.

1200-910-006-0

12



10

**WARNING**

Attach implements and trailers to the tractor only using the prescribed draw-bar or hitch.

1200-910-014-0

19

**OPERATION**

TO PROTECT YOUR ENGINE:

- Do not start the engine without the operator's seat belt fastened.
- Do not start the engine without the safety interlock system engaged.
- Do not start the engine without the safety interlock system engaged.
- Do not start the engine without the safety interlock system engaged.

44



43

**WARNING**

Do not use the accelerator lever except working on the field.

1200-910-021-0

9

**WARNING**

Work in ventilated Area.

1200-910-023-0

3

**Operator's manual**

1200-910-023-0

29

**DANGER**

Periodic ventilation should be made to avoid suffocation while heating an air conditioning is used. Sleeping in the cab is prohibited.

1200-910-011-0

14

**WARNING**

Always fasten Your seat belt.

1200-910-019-0

8

PTO 1 2

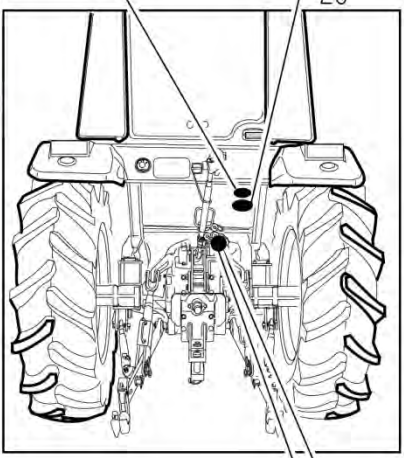
36

**DANGER**

Rotating driveline contact can cause death. KEEP AWAY! Keep all drive line. Tractor and equipment shields in place during operation.

1200-910-013-0

20



45 46

NOTE