

T654SMEUA

Parts Catalog

목 차

1. Engine PART NO. EG

FIG 00 EG	7
FIG 01 0512 4184, 0512 4259, 0512 4281, 0512 4051	9
FIG 02 0512 4368	11
FIG 05 0512 4036, 0512 4130, 0512 4238, 0512 4321	13
FIG 06 0512 4003	15
FIG 07 0512 4005	17
FIG 08 0512 4312, 0512 4050, 0512 4246	19
FIG 09 0512 4044, 0512 4320	21
FIG 10 0512 4284	23
FIG 11 0512 4004, 0512 4045, 0512 4046	25
FIG 14 0512 4027	27
FIG 15 0512 4120, 0506 4400, 0512 4000	29
FIG 16 0512 4261	31
FIG 17 0512 4052	33
FIG 19 0512 4047	35
FIG 20 0512 4224	37
FIG 21 0512 4009, 0512 4008, 0512 4299	39
FIG 22 0512 4345, 0512 4392	41
FIG 27 0511 8909	43
FIG 37 0512 4331	45
FIG 38 0512 4055	47
FIG 41 0512 4143, 0512 4058, 0512 4097, 0512 4257	49
FIG 43 0512 4384	51
FIG 44 0512 4062, 0512 4256, 0512 4393, 0512 4400	53
FIG 48-1 0511 7723, 0512 4011, 0512 4098, 0512 4127, 0512 4292	55
FIG 48-2 0512 4128, 0512 4293, 0512 4334, 0512 4338, 0512 4343	57
FIG 51 0512 4060, 0512 4104, 0512 4300, 0512 4329	59
FIG 63 0512 4010	61
FIG 83 0512 4176, 0512 4180, 0512 4251, 0512 4337, 0512 4339, 0512	63
FIG 90 0512 4355	65

2. Engine Accessories PART NO. T2

FIG 201 AIR CLEANER	68
---------------------	----

FIG 202 RADIATOR	70
FIG 203 MUFFLER & EXHAUST PIPE	73
FIG 204 FUEL TANK	76
FIG 205 FUEL FILTER & FUEL PUMP	78
FIG 206 BLOCK HEATER	80

3. Clutch/Brake/Steering PART NO. T3

FIG 301 CLUTCH	83
FIG 302 CLUTCH PEDAL	85
FIG 303 BRAKE	88
FIG 304 BRAKE PEDAL & LINK	90
FIG 305 FRONT WHEEL	92
FIG 306 REAR WHEEL	94
FIG 307 POWER STEERING WHEEL	96
FIG 308 POWER STEERING VALVE	98
FIG 309 POWER STEERING CYLINDER	100
FIG 310 HAND BRAKE & BRAKE	102

4. Transmission PART NO. T4

FIG 401 TRANSMISSION FRONT CASE	105
FIG 402 FORWARD & BACKWARD GEARS	107
FIG 403 CHANGE GEARS	109
FIG 404 REVERSE GEARS	111
FIG 405 P.T.O DRIVE SHAFT	113
FIG 406 MAIN CHANGE LEVER	115
FIG 407 REVERSE CHANGE LEVER	117
FIG 408 TRANSMISSION MID CASE	119
FIG 409 TRANSMISSION REAR CASE	121
FIG 410 SUB CHANGE GEARS	123
FIG 411 SUB CHANGE SHIFTER	125
FIG 412 CREEP CHANGE	127
FIG 413-2 DRIVE GEARS	129
FIG 414 4WD CHANGE LEVER	131
FIG 415 P.T.O CHANGE GEARS	133
FIG 416 P.T.O CHANGE SHIFTER	135
FIG 417 REAR DIFFERENTIAL GEARS	137

FIG 418 REAR AXLE HOUSING	140
---------------------------	-----

5. Front Axle PART NO. T5

FIG 501 FRONT AXLE SUPPORT	143
FIG 502 FRONT DRIVE SHAFT	145
FIG 503 FRONT AXLE HOUSING	147
FIG 504 FRONT DIFFERENTIAL GEARS	149
FIG 505 FRONT GEAR CASE (1)	151
FIG 506 FRONT GEAR CASE (2)	153
FIG 507 FRONT GEAR CASE (3)	155

6. Hydraulic/3P-Link PART NO. T6

FIG 601 CYLINDER CASE	158
FIG 602 LIFT ARM	160
FIG 603 CYLINDER	162
FIG 604 POSITION LINK	164
FIG 605 CONTROL VALVE	166
FIG 606 DRAFT LINK	168
FIG 607 POSITION & DRAFT LEVER	170
FIG 608 EXTERIOR HYD. VALVE(OPTION_6P)	173
FIG 608 EXTERIOR HYD. VALVE	175
FIG 609 HYDRAULIC PIPE	177
FIG 610 JOYSTICK	179
FIG 611B HITCH & 3-P LINK (EU)	181
FIG 612B LOWER LINK & LIFT ROD(EU)	184
FIG 613-2 HYDRAULIC HOSE(EU)	186

7. Sheet Metal & Cabin PART NO. T7

FIG 701 HOOD	189
FIG 702 FRONT FRAME	191
FIG 703 SIDE SUPPORT & FRAME HOOD	193
FIG 704 LEVER COVER & STEP	196
FIG 705 FRONT & REAR MOUNTING	198
FIG 706 SEAT & MAT	200
FIG 709 DOOR	202

FIG 710 FRONT GLASS	205
FIG 711 SIDE GLASS	207
FIG 712 REAR GLASS	209
FIG 713 SUB FENDER & COVER	211
FIG 714 MIRROR	213
FIG 715 HEATER & AIR-CON	215
FIG 715-2 HEATER & AIR-CON	217
FIG 716 FENDER COVER	219
FIG 717 ROOF	221
FIG 718 CABIN INTERIOR	223

8. Electrical System PART NO. T8

FIG 801 BATTERY & MOUNTING	226
FIG 802 HARNESS	228
FIG 803 LIGHT & BACK LAMP	230
FIG 804 INSTRUMENT PANEL	232
FIG 805 ELECTRIC SYSTEM (1)	234
FIG 806 ELECTRIC SYSTEM (2)	236

9. Label/Option PART NO. T9

FIG 901 TOOL & ACCESSORY	240
FIG 902 WEIGHT	242
FIG 903 LABEL	244

1. Engine PART NO. EG

FIG 00 EG	7
FIG 01 0512 4184, 0512 4259, 0512 4281, 0512 4051	9
FIG 02 0512 4368	11
FIG 05 0512 4036, 0512 4130, 0512 4238, 0512 4321	13
FIG 06 0512 4003	15
FIG 07 0512 4005	17
FIG 08 0512 4312, 0512 4050, 0512 4246	19
FIG 09 0512 4044, 0512 4320	21
FIG 10 0512 4284	23
FIG 11 0512 4004, 0512 4045, 0512 4046	25
FIG 14 0512 4027	27
FIG 15 0512 4120, 0506 4400, 0512 4000	29
FIG 16 0512 4261	31
FIG 17 0512 4052	33
FIG 19 0512 4047	35
FIG 20 0512 4224	37
FIG 21 0512 4009, 0512 4008, 0512 4299	39
FIG 22 0512 4345, 0512 4392	41
FIG 27 0511 8909	43
FIG 37 0512 4331	45
FIG 38 0512 4055	47
FIG 41 0512 4143, 0512 4058, 0512 4097, 0512 4257	49
FIG 43 0512 4384	51
FIG 44 0512 4062, 0512 4256, 0512 4393, 0512 4400	53
FIG 48-1 0511 7723, 0512 4011, 0512 4098, 0512 4127, 0512 4292	55
FIG 48-2 0512 4128, 0512 4293, 0512 4334, 0512 4338, 0512 4343	57
FIG 51 0512 4060, 0512 4104, 0512 4300, 0512 4329	59
FIG 63 0512 4010	61
FIG 83 0512 4176, 0512 4180, 0512 4251, 0512 4337, 0512 4339, 0512	63
FIG 90 0512 4355	65

FIG 00 T654SMEUA	EG	년/월 Year/Month 2022-12
---------------------	----	------------------------------

--	--

NOTE	
------	--

FIG 01

0512 4184, 0512 4259, 0512 4281, 0512 4051

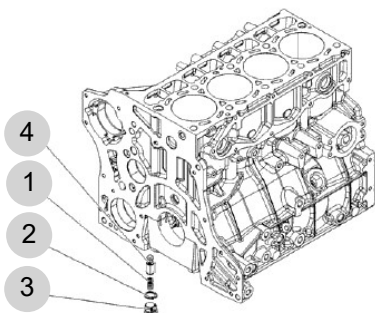
년/월
Year/Month

2022-12

T654SMEUA

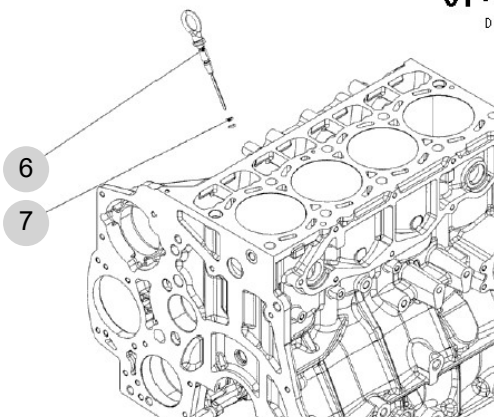
01 - 0512 4051

PRESSURESTAT



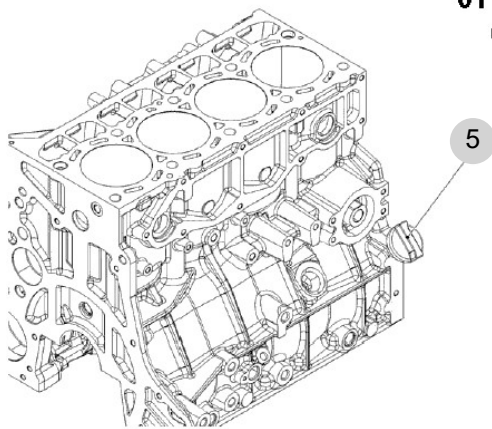
01 - 0512 4259

DIPSTICK



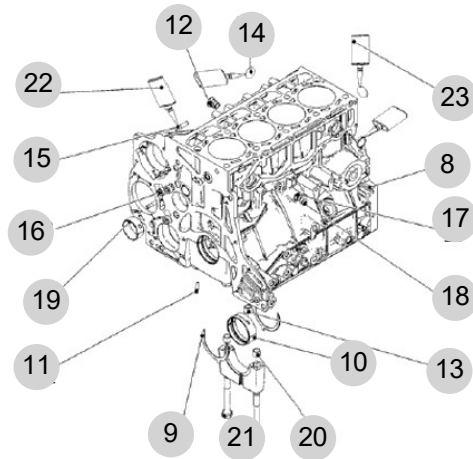
01 - 0512 4184

FILLER CAP



01 - 0512 4281

CRANKCASE



NOTE

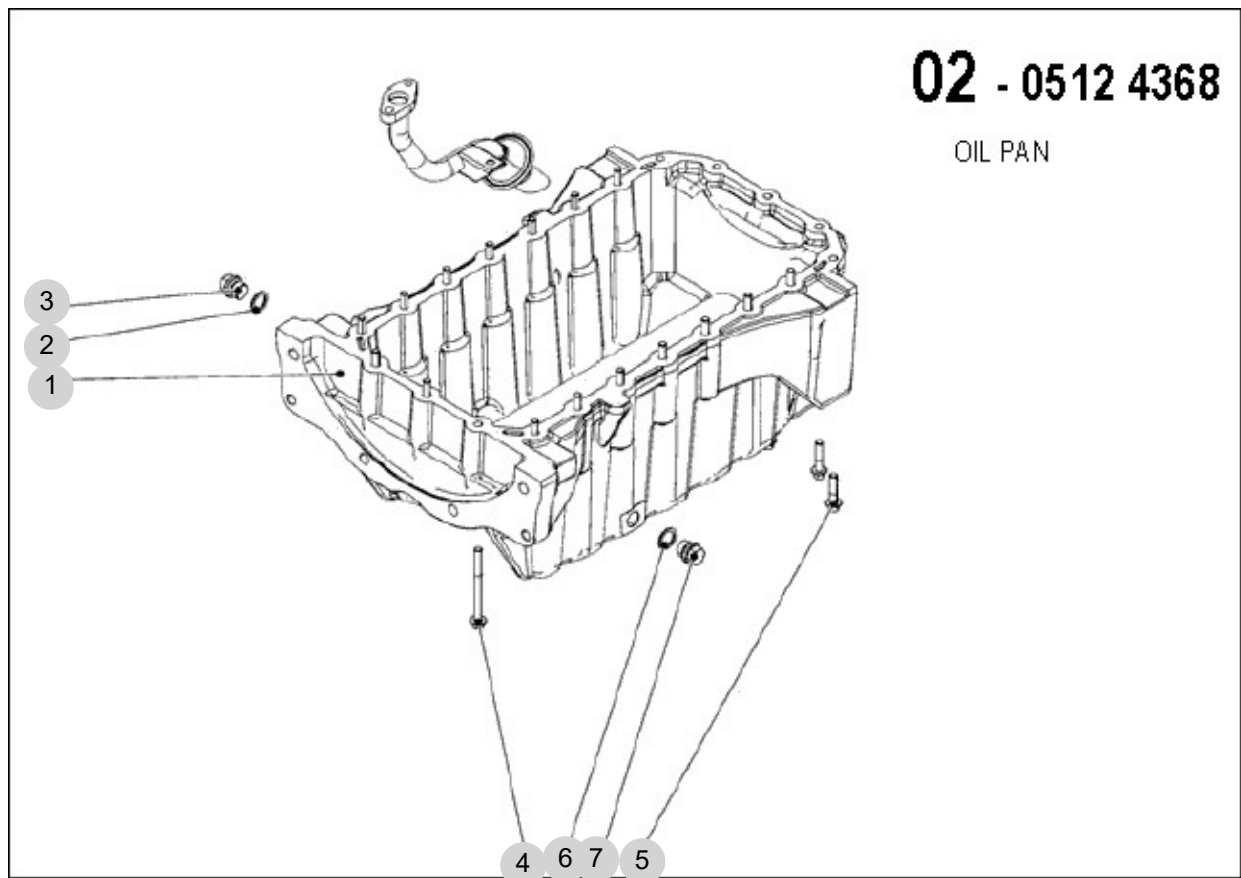
FIG 02

0512 4368

년/월
Year/Month

2022-12

T654SMEUA



NOTE

FIG 05

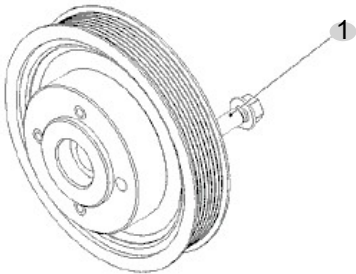
T654SMEUA

0512 4036, 0512 4130, 0512 4238, 0512 4321

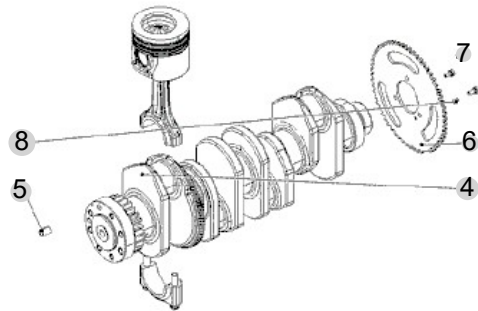
년/월
Year/Month

2022-12

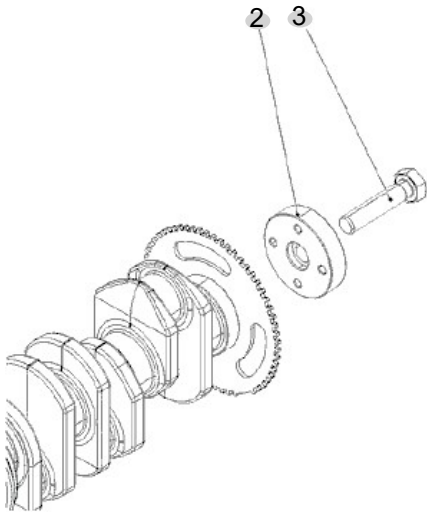
05 - 0512 4036
FASTENINGS



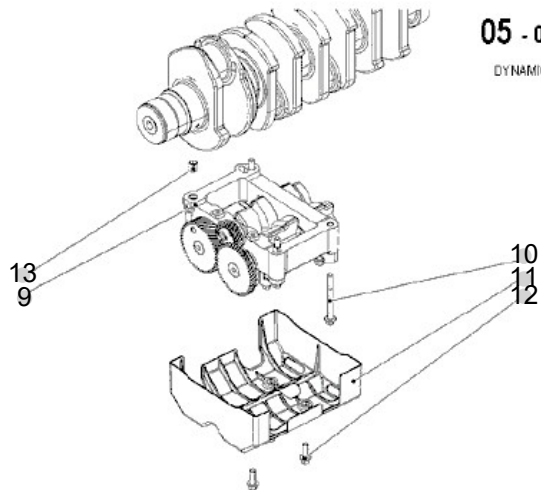
05 - 0512 4238
CRANKSHAFT



05 - 0512 4130
CRANKSHAFT ACCESS.



05 - 0512 4321
DYNAMIC BALANCER



NOTE

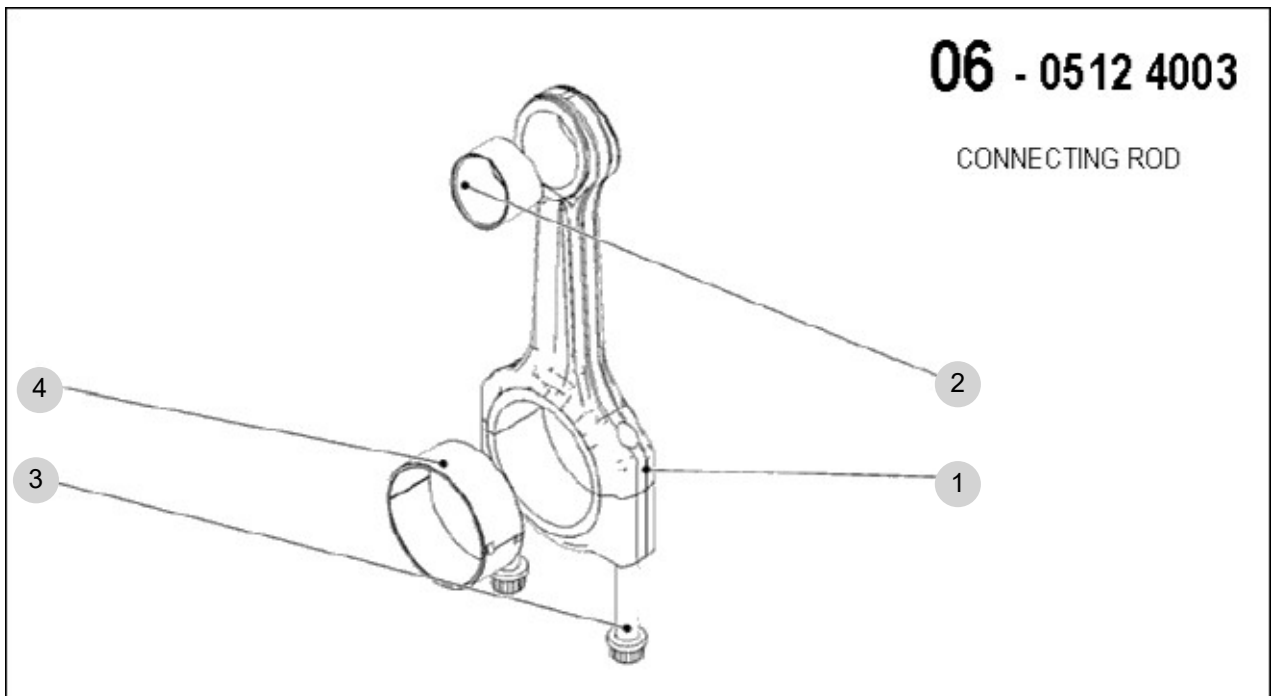
FIG 06

0512 4003

년/월
Year/Month

2022-12

T654SMEUA



NOTE

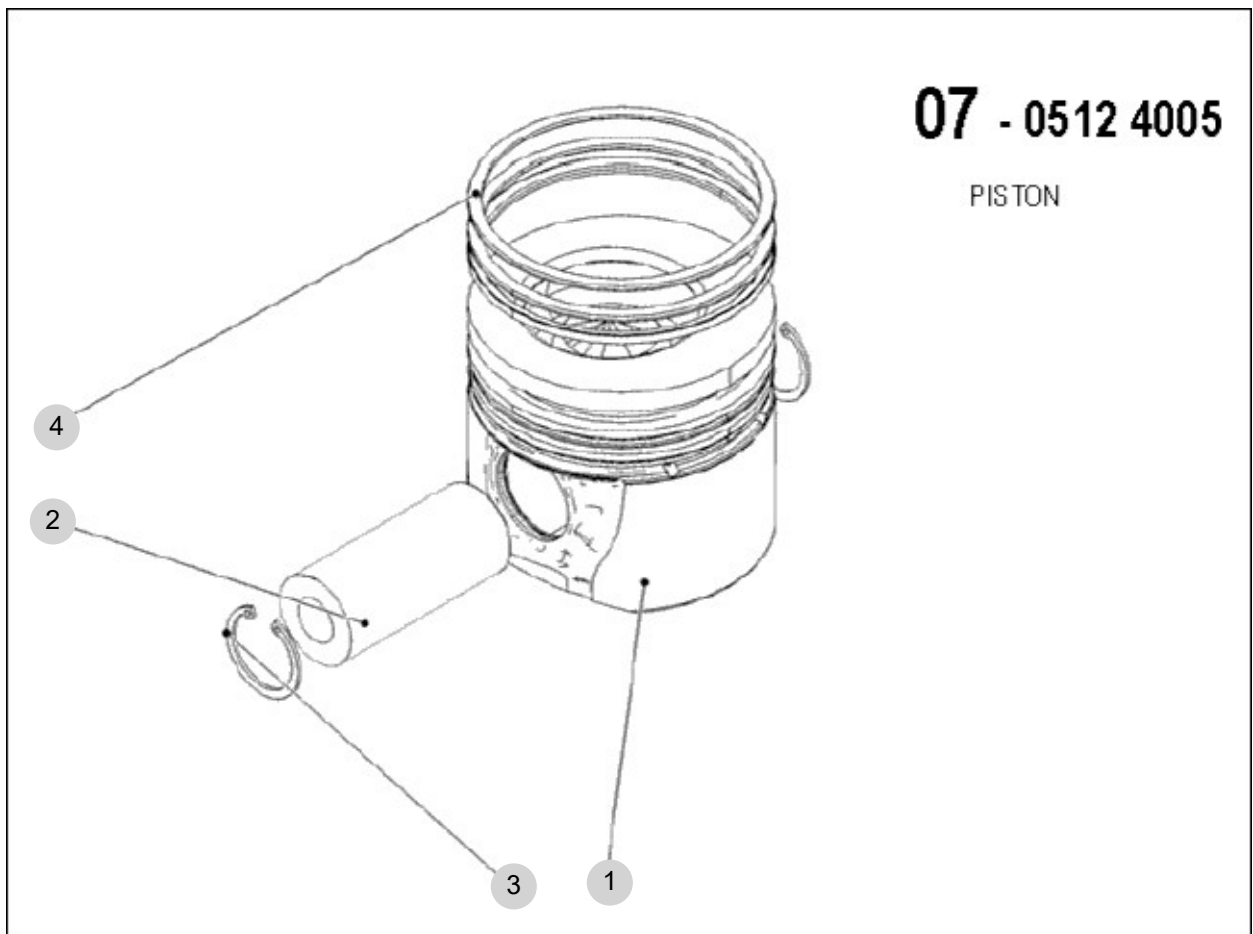
FIG 07

T654SMEUA

0512 4005

년/월
Year/Month

2022-12



NOTE

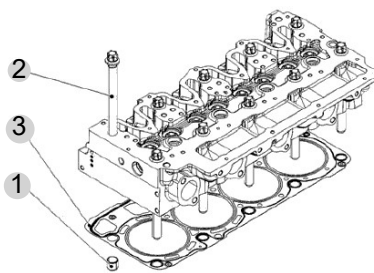
FIG 08

T654SMEUA

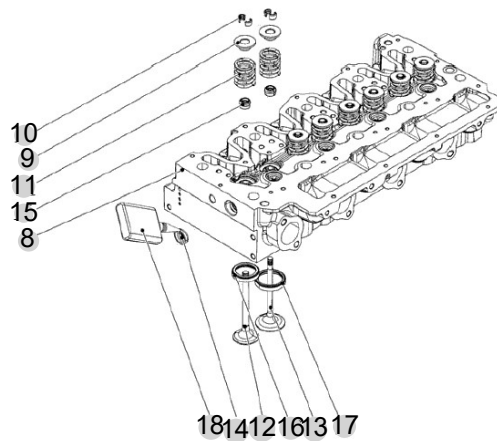
0512 4312, 0512 4050, 0512 4246

년/월
Year/Month

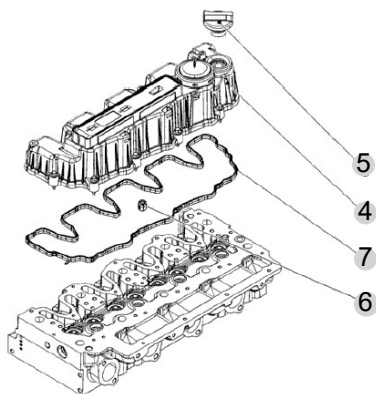
2022-12



08 - 0512 4050
FASTENINGS



08 - 0512 4312
CYLINDER HEAD



08 - 0512 4246
VALVE MECHAN COVER

NOTE

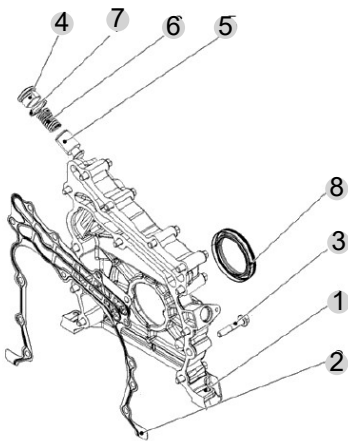
FIG 09

0512 4044, 0512 4320

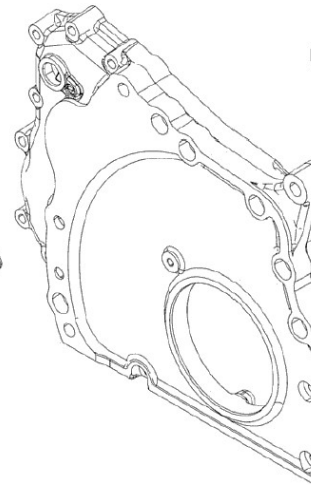
년/월
Year/Month

2022-12

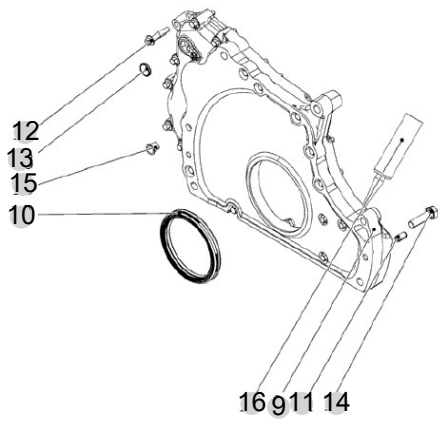
T654SMEUA



09 - 0512 4044
FRONT COVER



09 - 0512 4406
SEALING RING



09 - 0512 4320
GEARCASE

NOTE

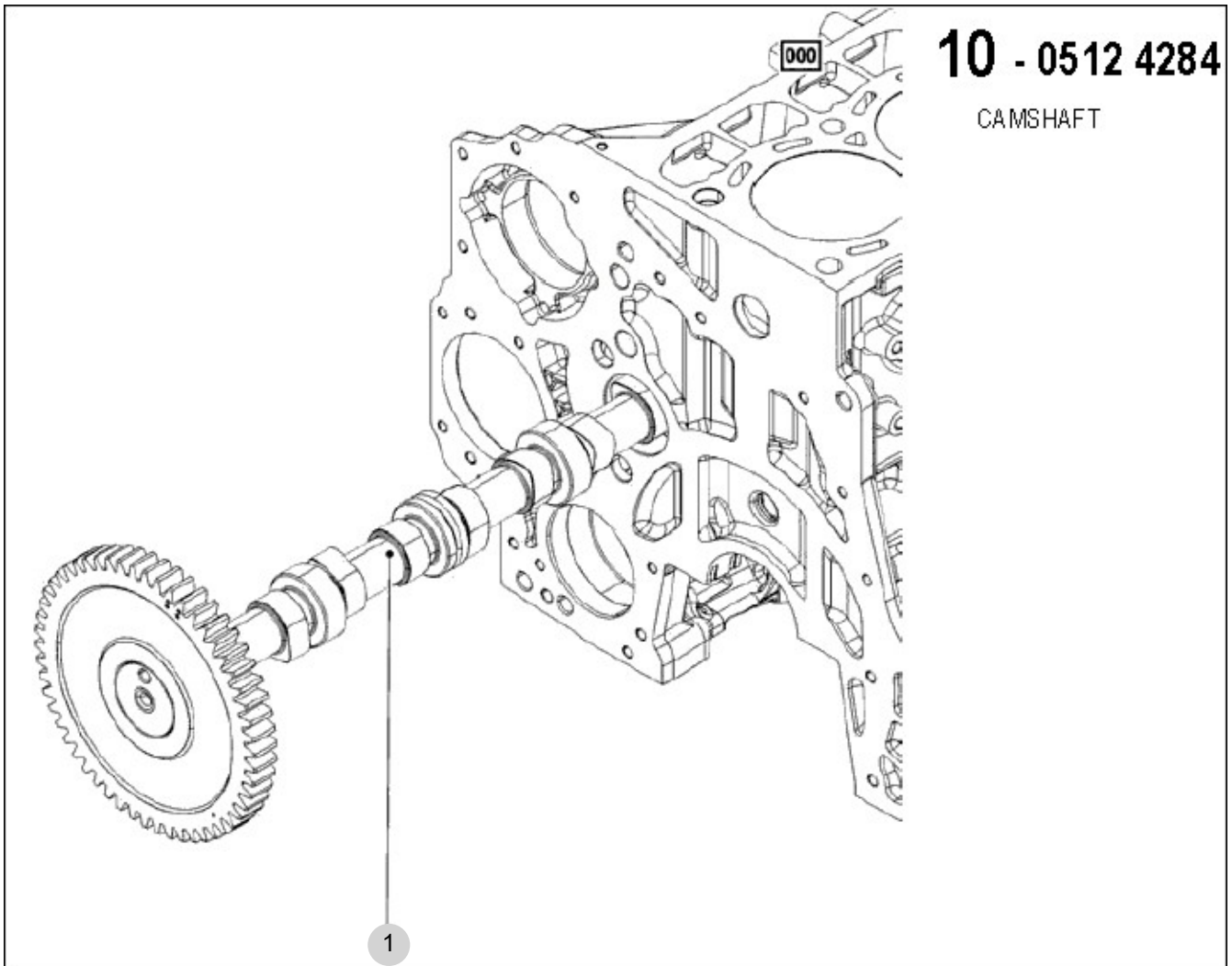
FIG 10

0512 4284

년/월
Year/Month

2022-12

T654SMEUA



NOTE

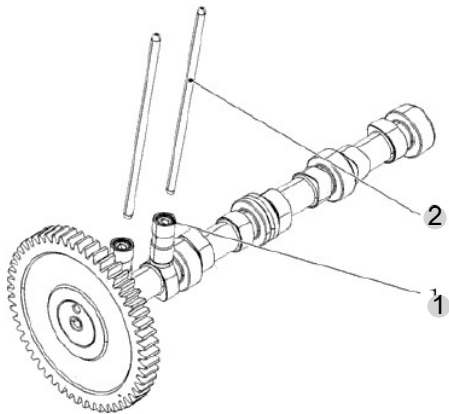
FIG 11

0512 4004, 0512 4045, 0512 4046

년/월
Year/Month

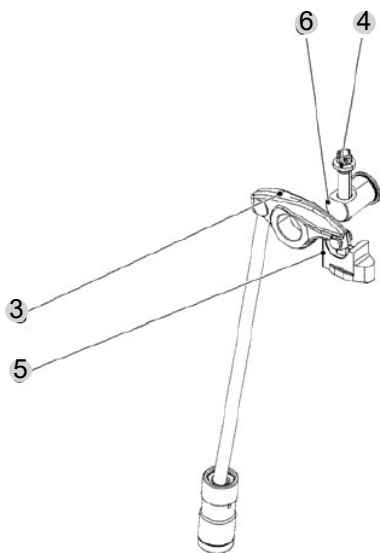
2022-12

T654SMEUA



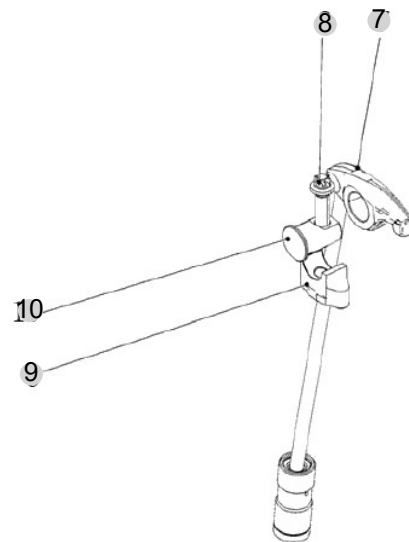
11 - 0512 4004

VALVE DRIVE



11 - 0512 4045

ROCKER ARM OUTLET



11 - 0512 4046

ROCKER ARM INLET

NOTE

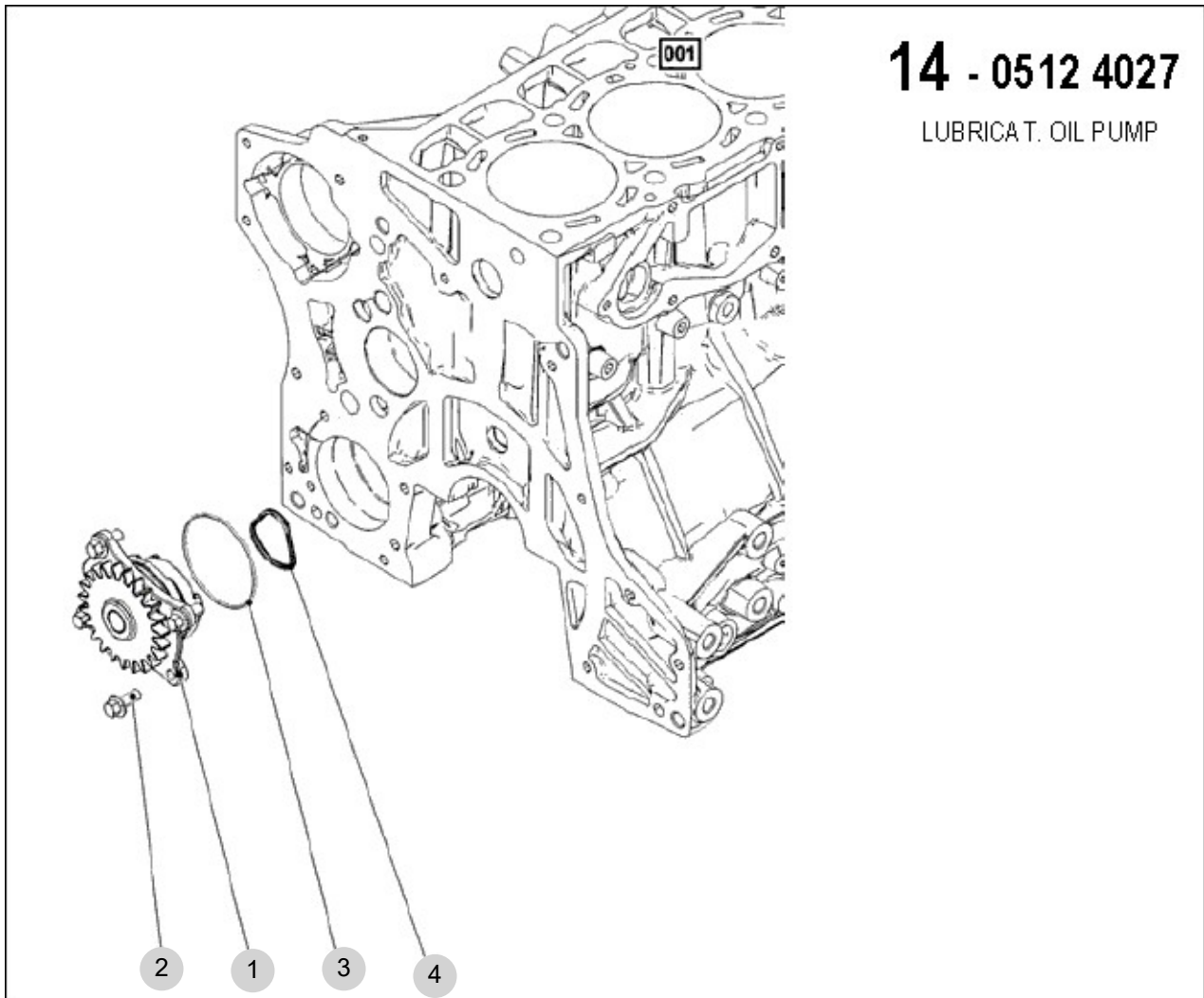
FIG 14

0512 4027

년/월
Year/Month

2022-12

T654SMEUA



NOTE

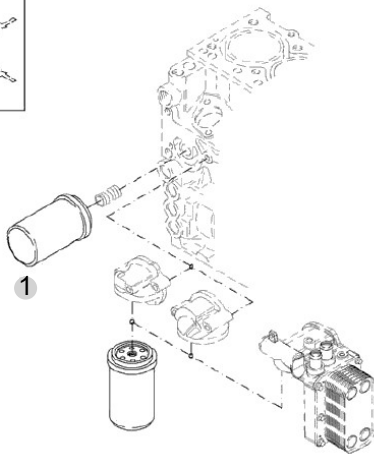
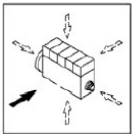
FIG 15

T654SMEUA

0512 4120, 0506 4400, 0512 4000

년/월
Year/Month

2022-12

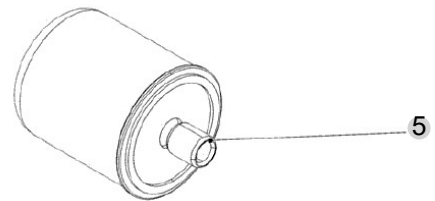


15 - 0506 4400

LUBRIC. OIL FILTER

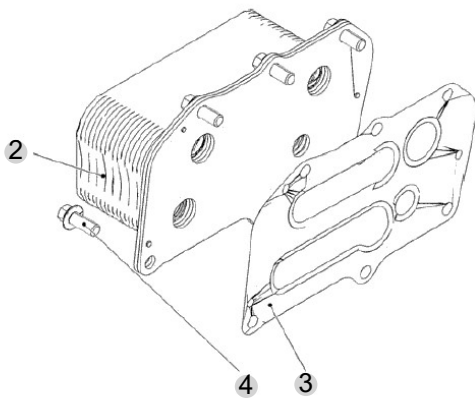
15 - 0512 4120

OIL FILTER ASSY



15 - 0512 4000

OIL COOLER



NOTE

FIG 16

T654SMEUA

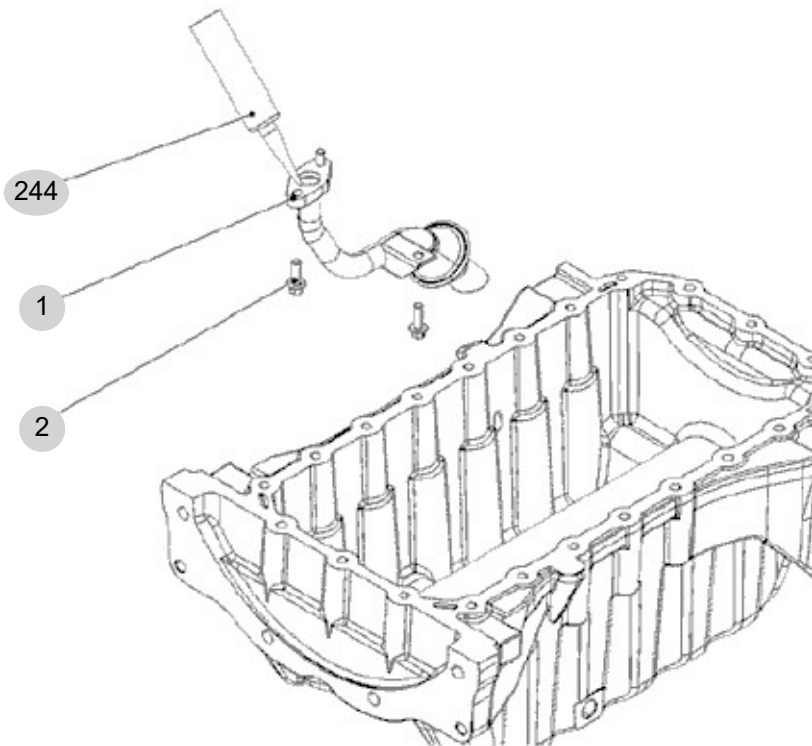
0512 4261

년/월
Year/Month

2022-12

16 - 0512 4261

OIL SUCTION PIPE



NOTE

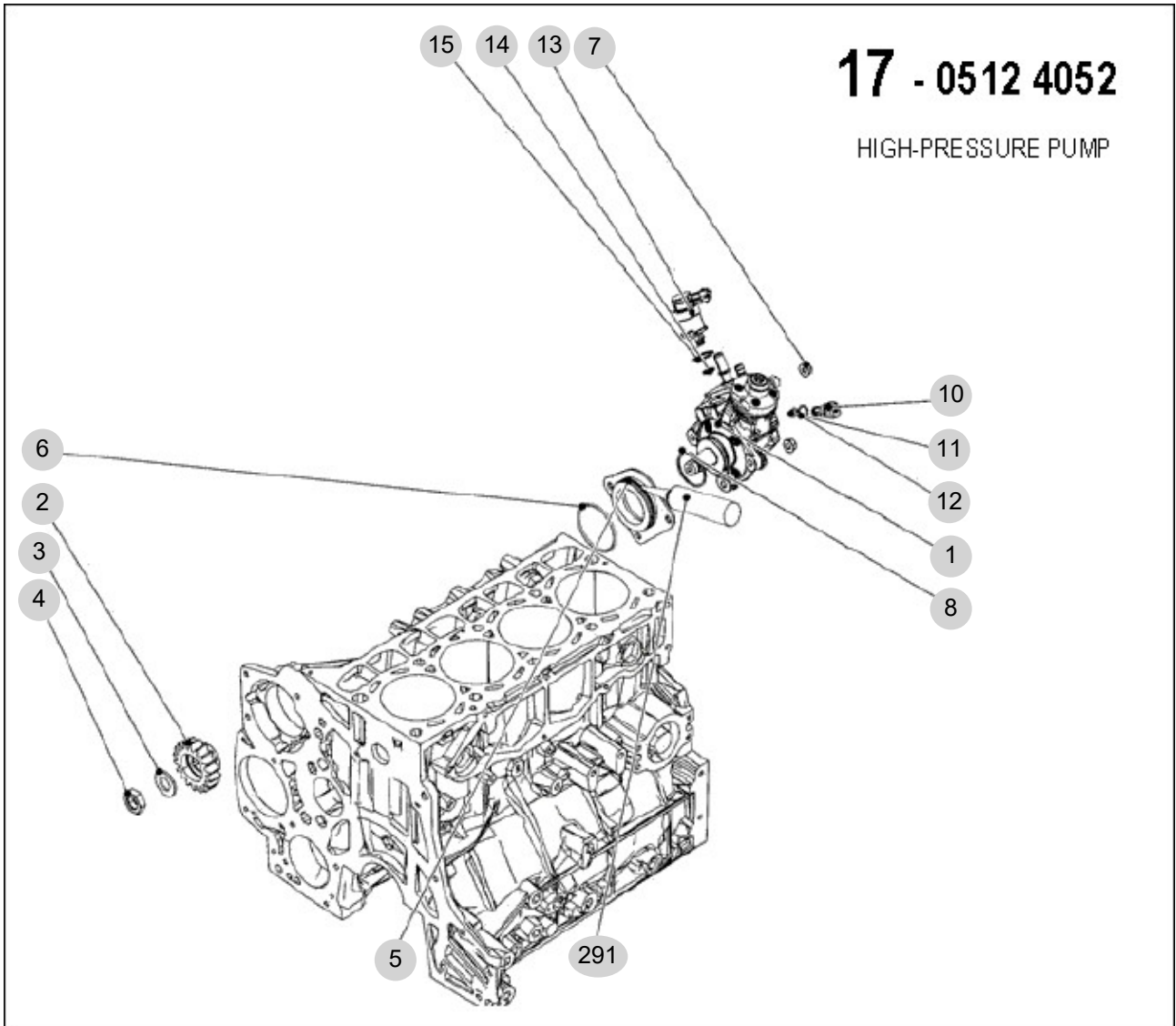
FIG 17

0512 4052

년/월
Year/Month

2022-12

T654SMEUA



NOTE

FIG 19

0512 4047

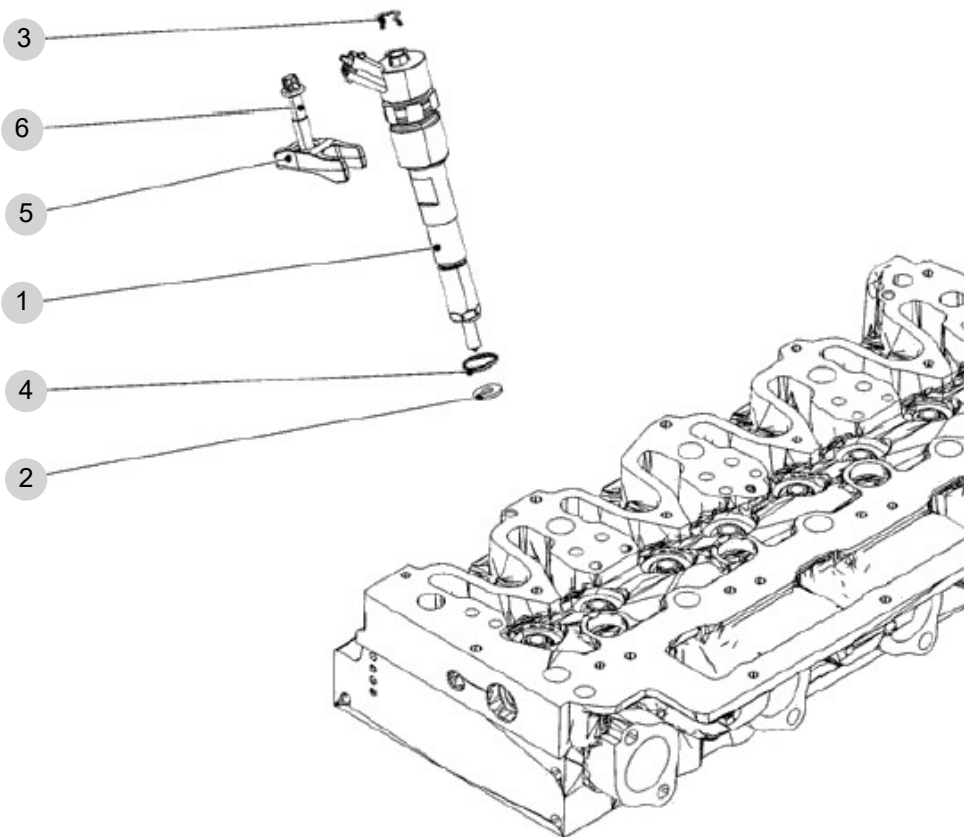
년/월
Year/Month

2022-12

T654SMEUA

19 - 0512 4047

FUEL INJECTOR



NOTE

FIG 19 T654SMEUA	0512 4047						년/월 Year/Month
							2022-12

KEY NO	PART NO	DESCRIPTION	SPEC	QTY	REPAIR	EFFECTIVE DATE	REMARKS
19	1	0413 2014	INJEKTOR	1			
19	2	0211 3778	SEALING WASHER	1			
19	3	0412 3075	CLAMP	1			
19	4	0412 3016	O-SEAL	1			
19	5	0413 0374	CLAMPING PAD/SHOE	1			
19	6	4012 3112	TORX-HEAD BOLT	1			
NOTE							

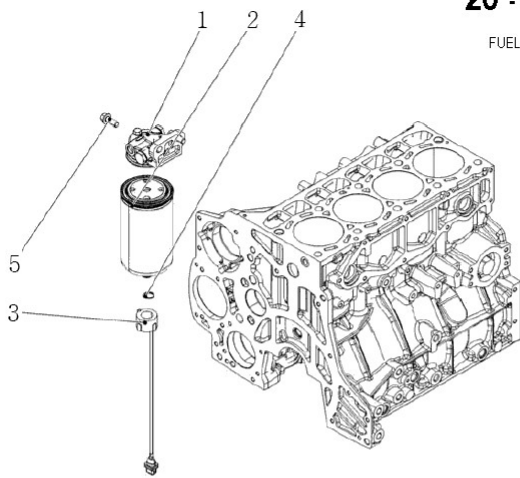
FIG 20

T654SMEUA

0512 4224

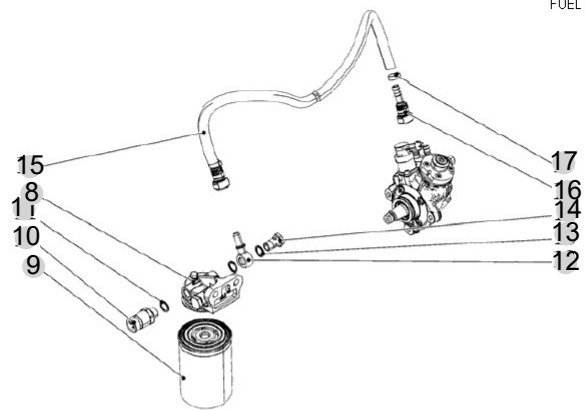
년/월
Year/Month

2022-12



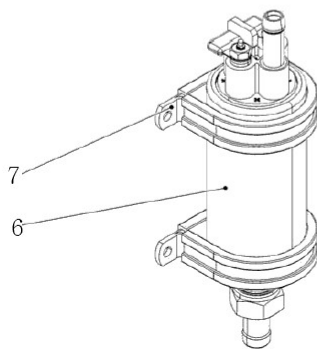
20 - 0512 4064

FUEL PREFILTER



20 - 0512 4224

FUEL FILTER



20 - 0512 4140

FUEL SUPPLY PUMP

NOTE

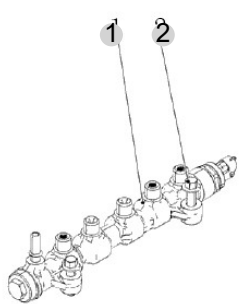
FIG 21

T654SMEUA

0512 4009, 0512 4008, 0512 4299

년/월
Year/Month

2022-12

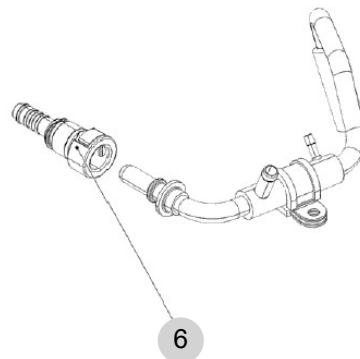


21 - 0512 4008

RAIL

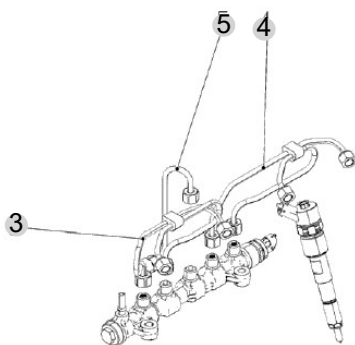
21 - 0512 4286

QUICK-CLUTCHCOUP.



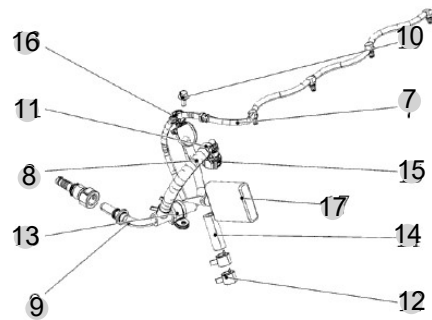
21 - 0512 4009

HIGH PRESSURE PIPE



21 - 0512 4299

FUEL LINE



NOTE

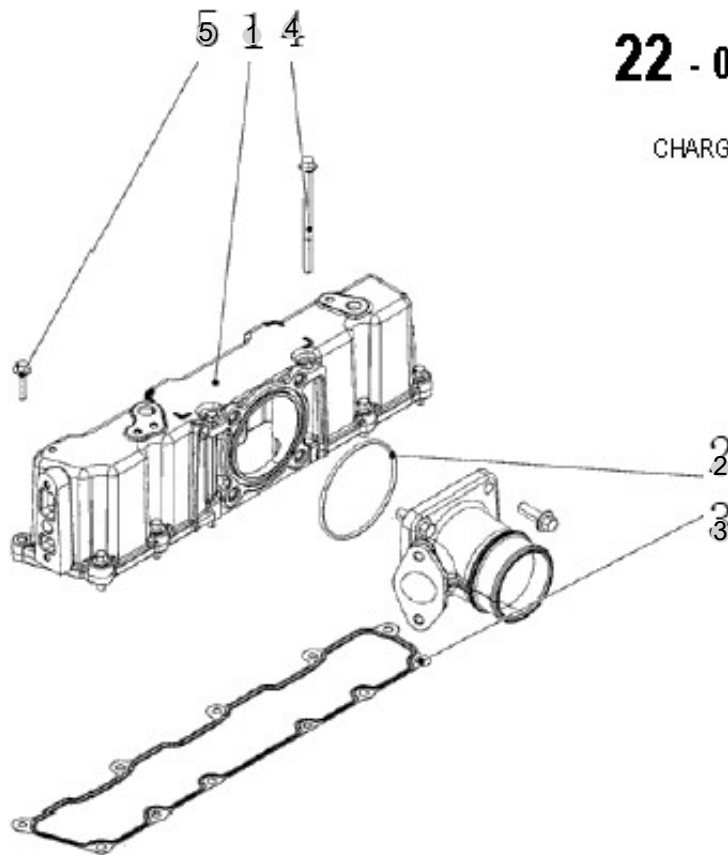
FIG 22

0512 4345, 0512 4392

년/월
Year/Month

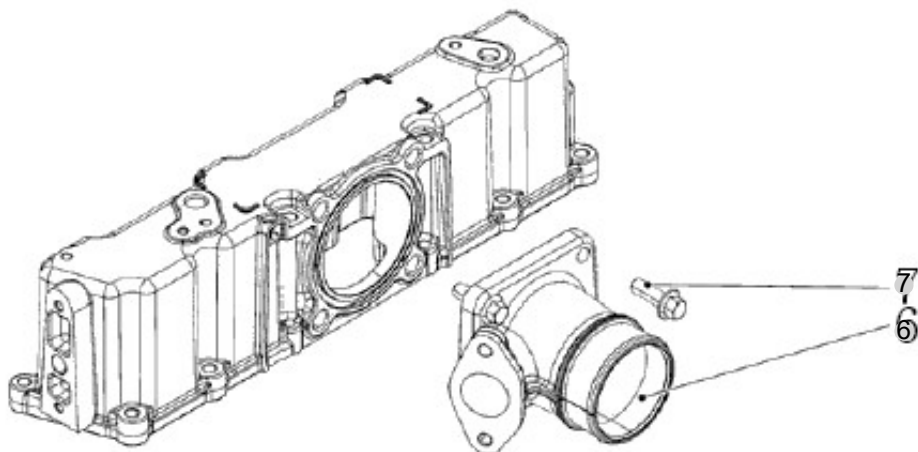
2022-12

T654SMEUA



22 - 0512 4392

CHARGE AIR ELBOW



NOTE

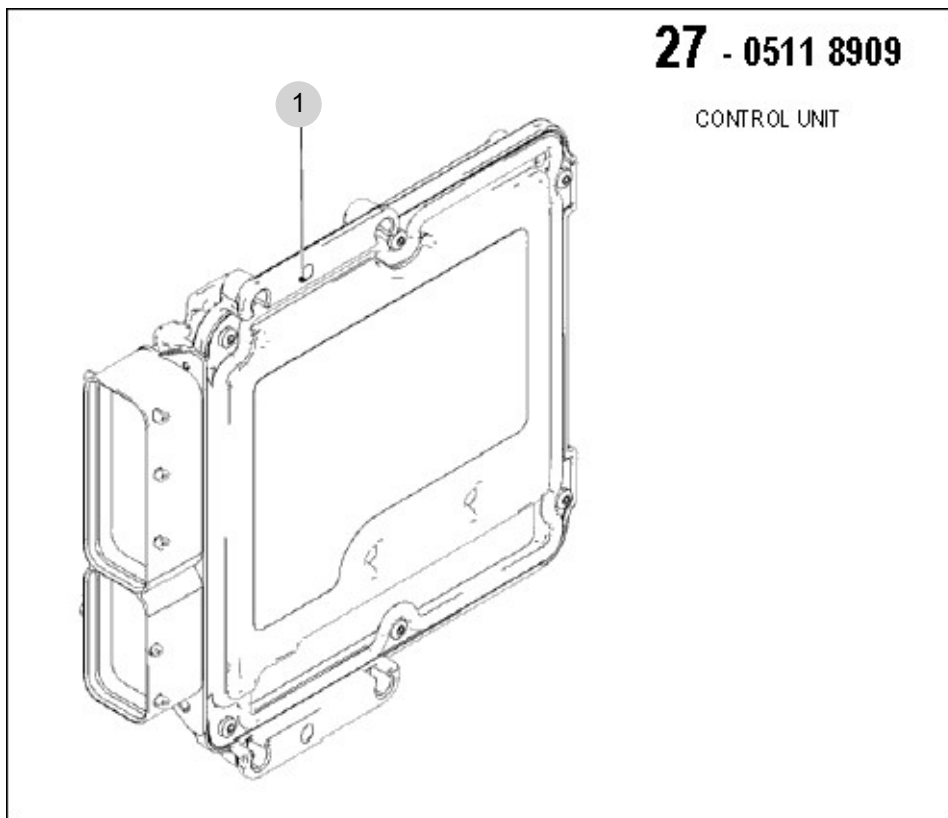
FIG 27

0511 8909

년/월
Year/Month

2022-12

T654SMEUA



NOTE

FIG 27 T654SMEUA		0511 8909					년/월 Year/Month	
							2022-12	
KEY NO		PART NO	DESCRIPTION	SPEC	QTY	REPAIR	EFFECTIVE DATE	REMARKS
27	1	0295 9610	CONTROL UNIT		1			
27	950	0421 0653	CONTROL UNIT		1			
NOTE								

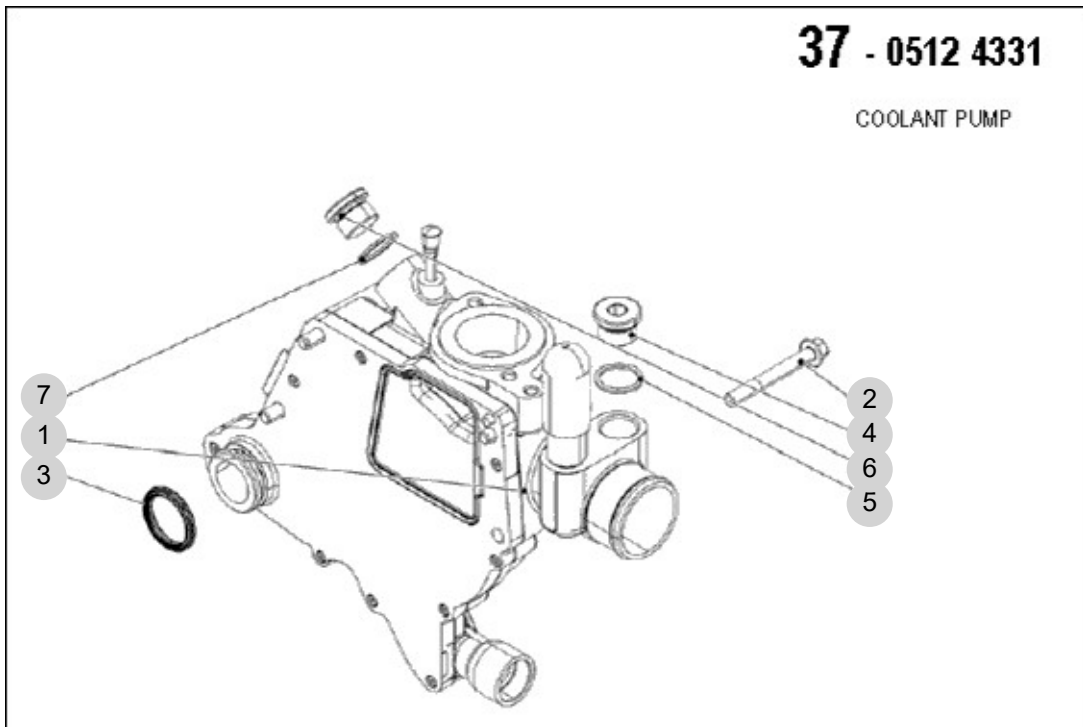
FIG 37

0512 4331

년/월
Year/Month

2022-12

T654SMEUA



NOTE

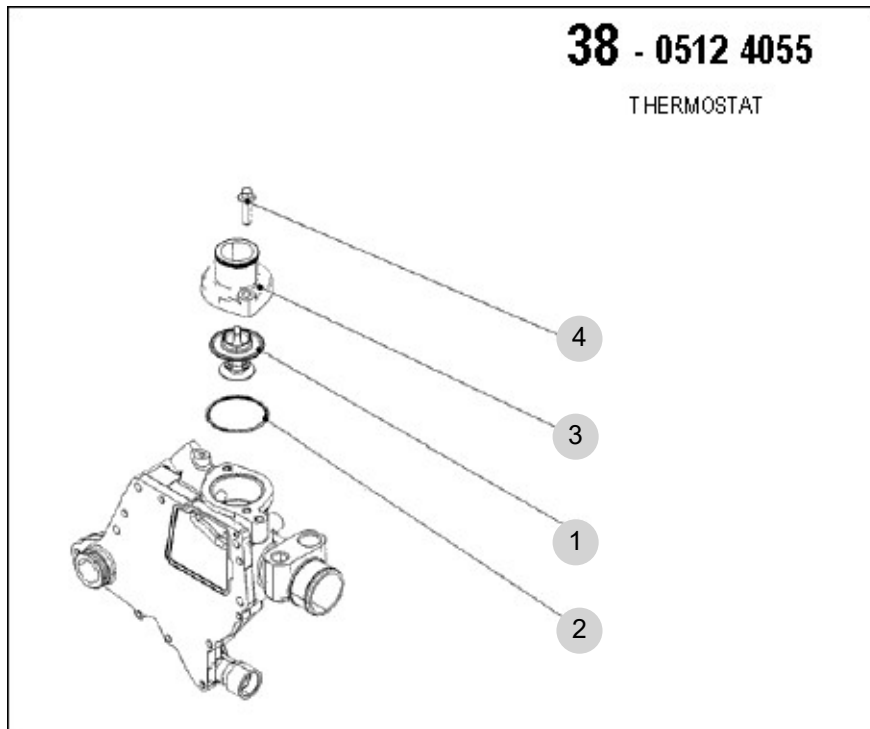
FIG 38

0512 4055

년/월
Year/Month

2022-12

T654SMEUA



NOTE

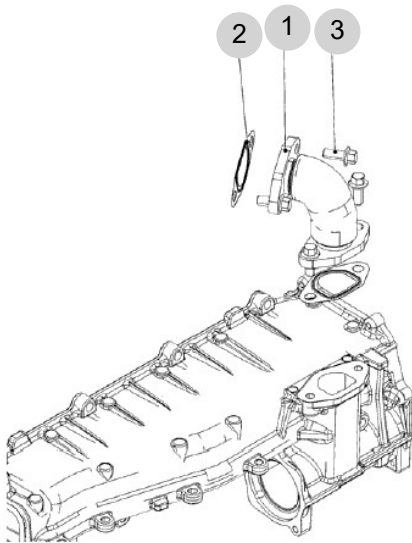
FIG 41

T654SMEUA

0512 4143, 0512 4058, 0512 4097, 0512 4257

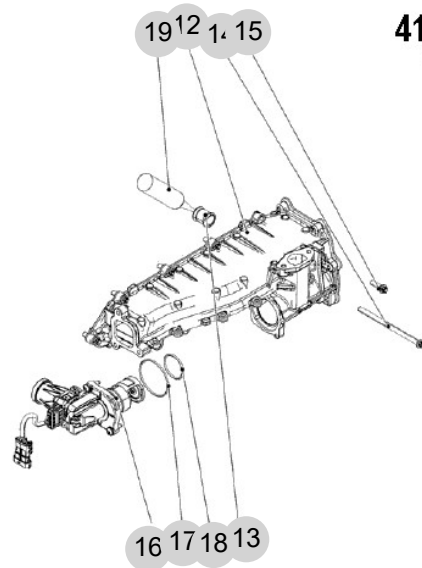
년/월
Year/Month

2022-12



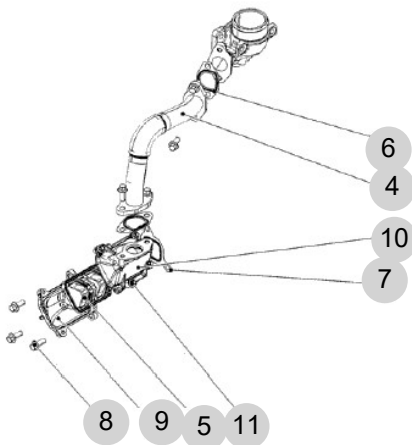
41 - 0512 4058

PIPELINE/LEAD



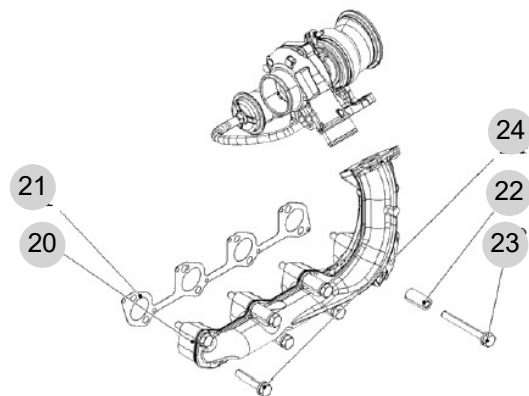
41 - 0512 4143

EGR-MODULE



41 - 0512 4097

PIPELINE/LEAD



41 - 0512 4257

EXHAUST MANIFOLD

NOTE

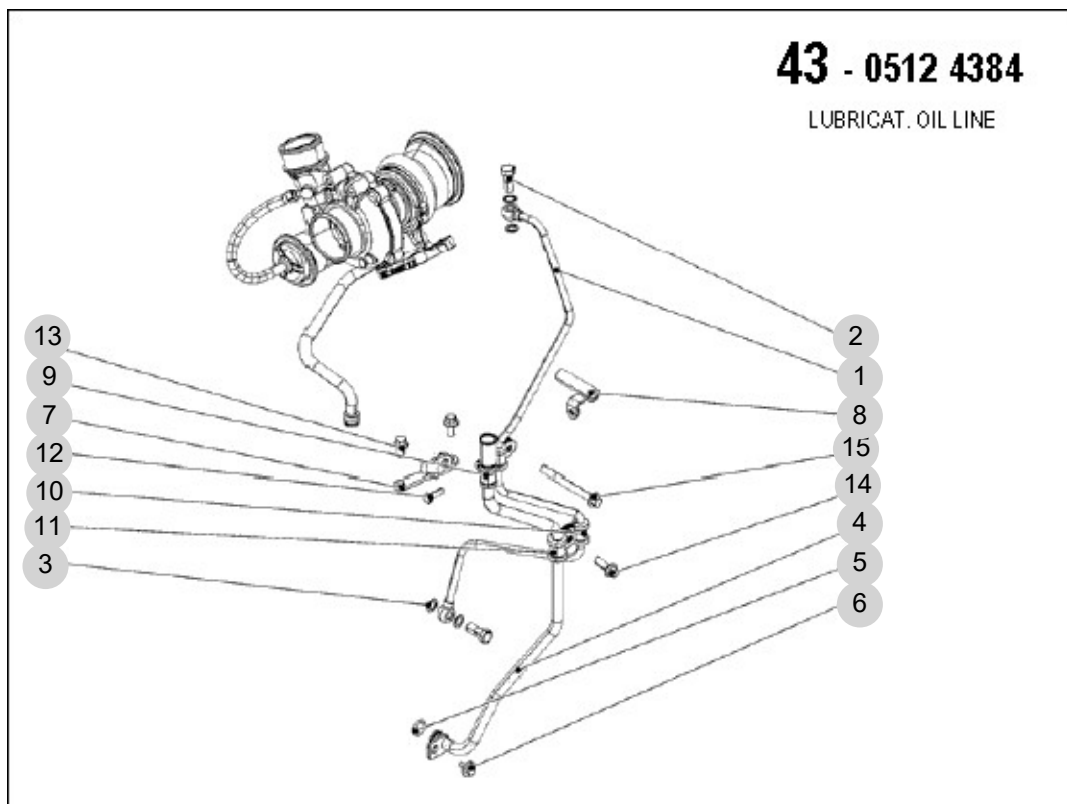
FIG 43

0512 4384

년/월
Year/Month

2022-12

T654SMEUA



NOTE

FIG 44

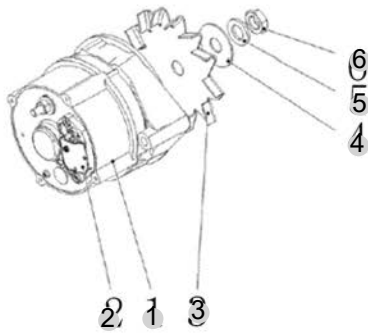
0512 4062, 0512 4256, 0512 4393, 0512 4400

년/월
Year/Month

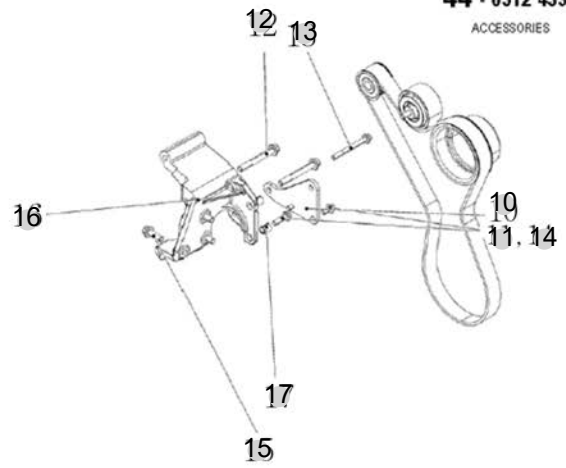
2022-12

T654SMEUA

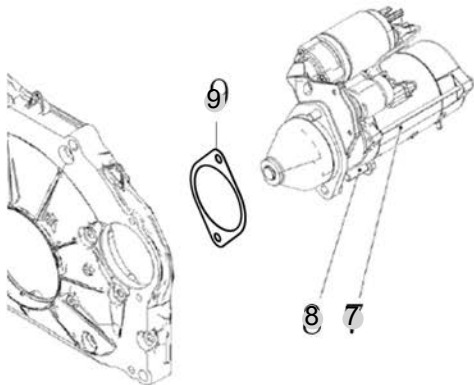
44 - 0512 4062
GENERATOR



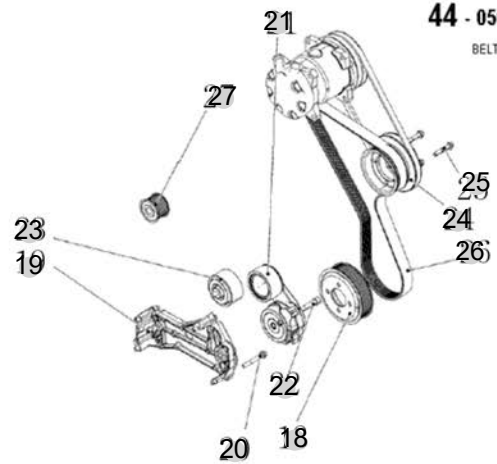
44 - 0512 4393
ACCESSORIES



44 - 0512 4256
STARTER



44 - 0512 4400
BELT DRIVE



NOTE

FIG 48-1

0511 7723, 0512 4011, 0512 4098, 0512 4127, 0512 4292

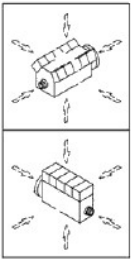
년/월
Year/Month

2022-12

T654SMEUA

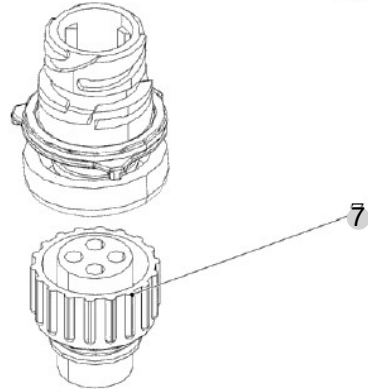
48 - 0511 7723

ATTACHMENT PLUG



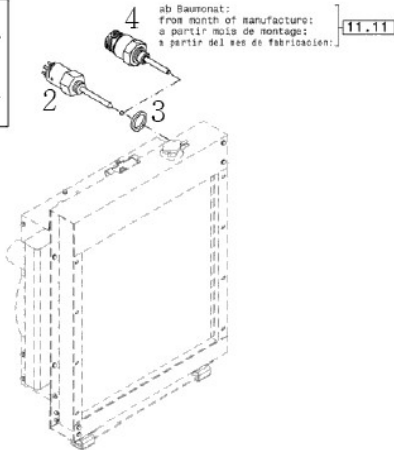
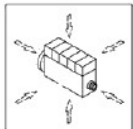
48 - 0512 4098

PLUG-IN CONNECTOR



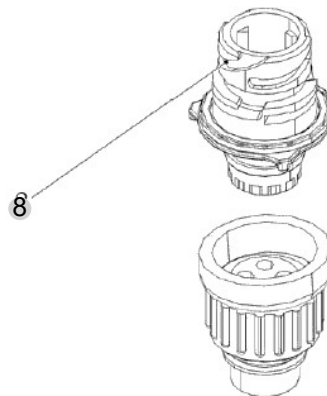
48 - 0511 8568

LEVEL SWITCH



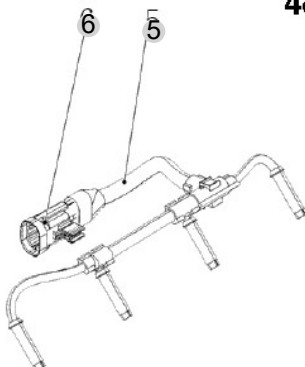
48 - 0512 4127

PLUG-IN CONNECTOR



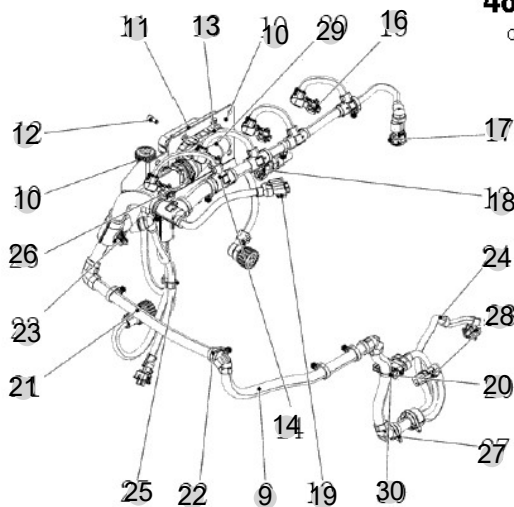
48 - 0512 4011

CABLE HARNESS



48 - 0512 4292

CABLE HARNESS



NOTE

FIG 48-2

0512 4128, 0512 4293, 0512 4334, 0512 4338,
0512 4343

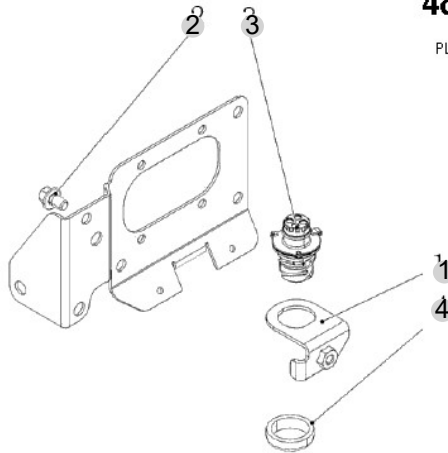
년/월
Year/Month

2022-12

T654SMEUA

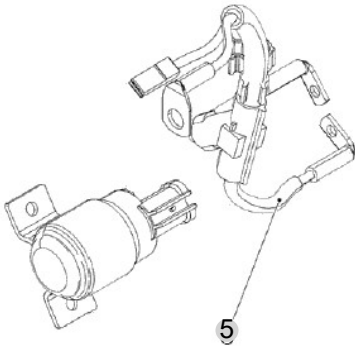
48 - 0512 4128

PLUG-IN CONNECTOR



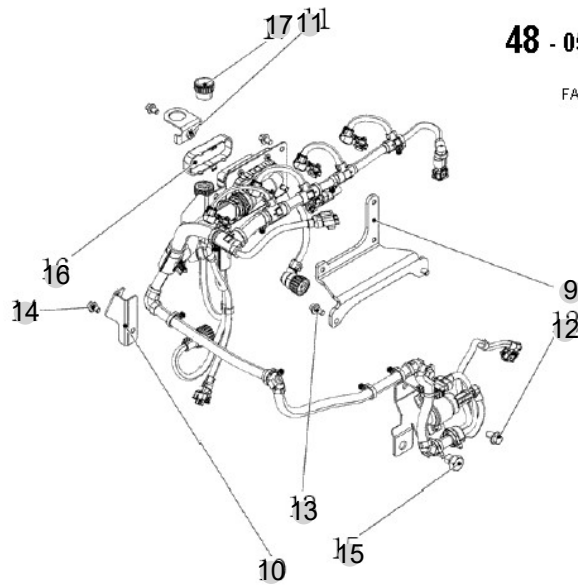
48 - 0512 4293

CONNECTING PIPE



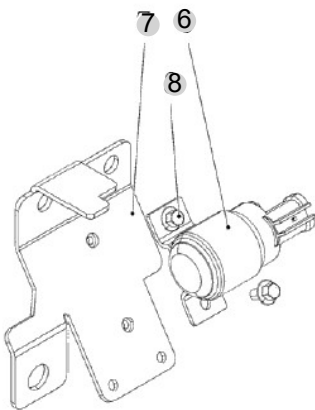
48 - 0512 4338

FASTENINGS



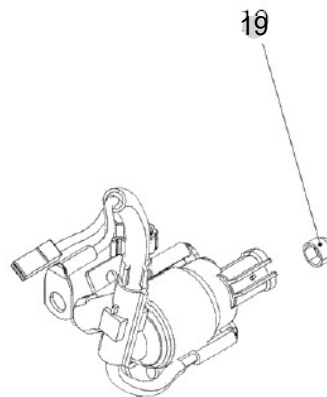
48 - 0512 4334

RELAY



48 - 0512 4343

PROTECTING CAP



NOTE

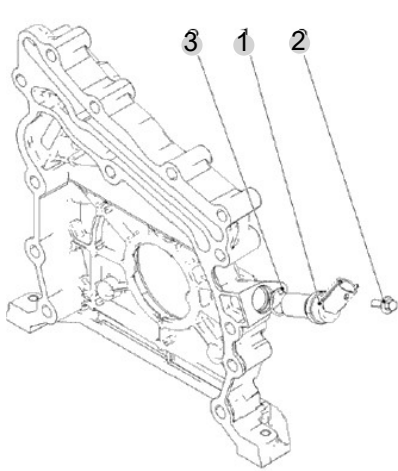
FIG 51

0512 4060, 0512 4104, 0512 4300, 0512 4329

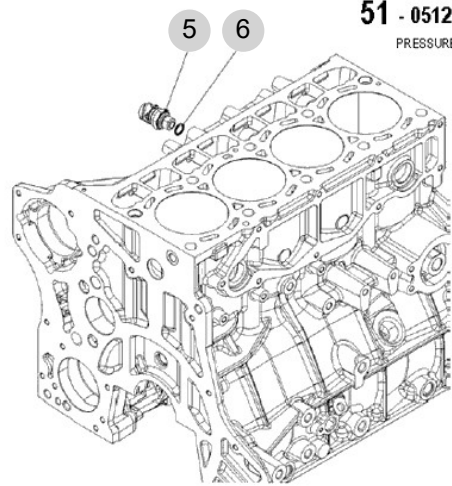
년/월
Year/Month

2022-12

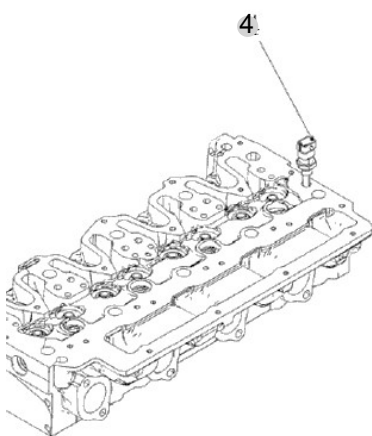
T654SMEUA



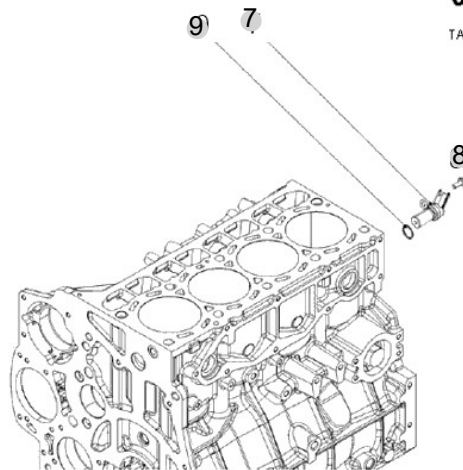
51 - 0512 4060
TACHO-GENERATOR



51 - 0512 4105
PRESSURE SENSOR

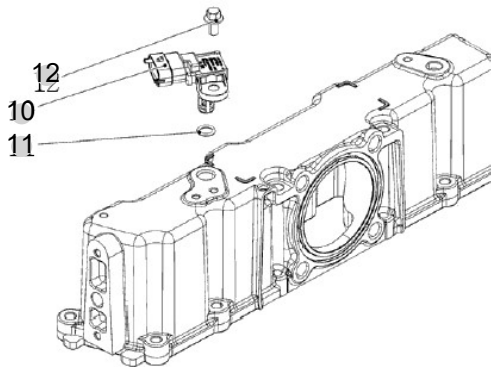


51 - 0512 4104
TEMPER.TRANSMITTER



51 - 0512 4300
TACHO-GENERATOR

51 - 0512 4329
SENSOR



NOTE

FIG 63

0512 4010

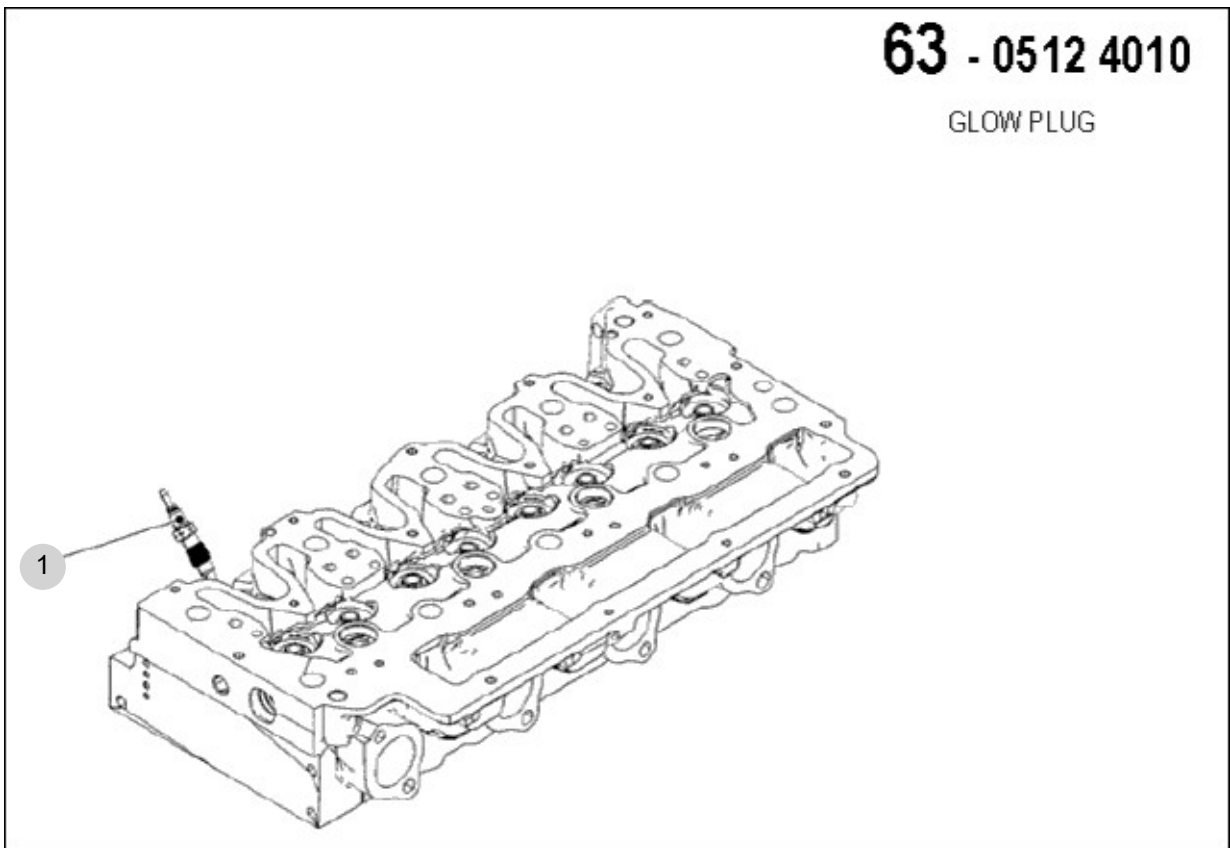
년/월
Year/Month

T654SMEUA

2022-12

63 - 0512 4010

GLOW PLUG



NOTE

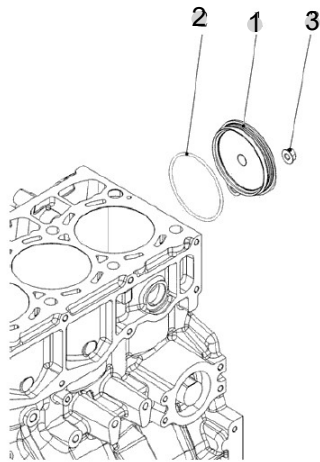
FIG 83

T654SMEUA

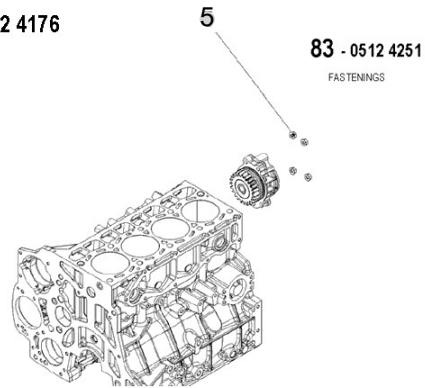
0512 4176, 0512 4180, 0512 4251, 0512 4337,
0512 4339, 0512

년/월
Year/Month

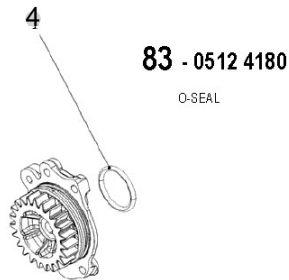
2022-12



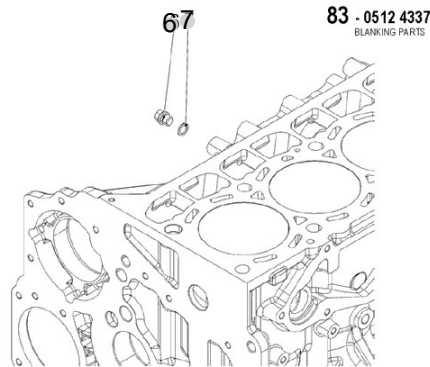
83 - 0512 4176
COVER



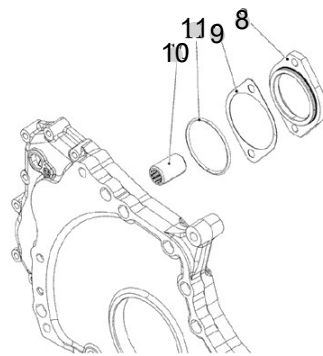
83 - 0512 4251
FASTENINGS



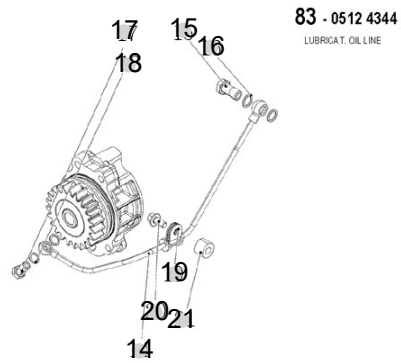
83 - 0512 4180
O-SEAL



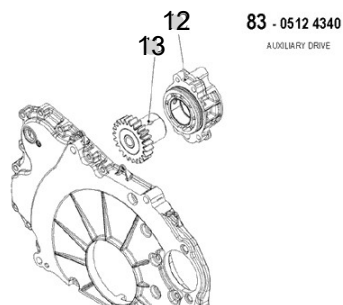
83 - 0512 4337
BLANKING PARTS



83 - 0512 4339
ADAPTERFLANSCH



83 - 0512 4344
LUBRICAT. OIL LINE



83 - 0512 4340
AUXILIARY DRIVE

NOTE

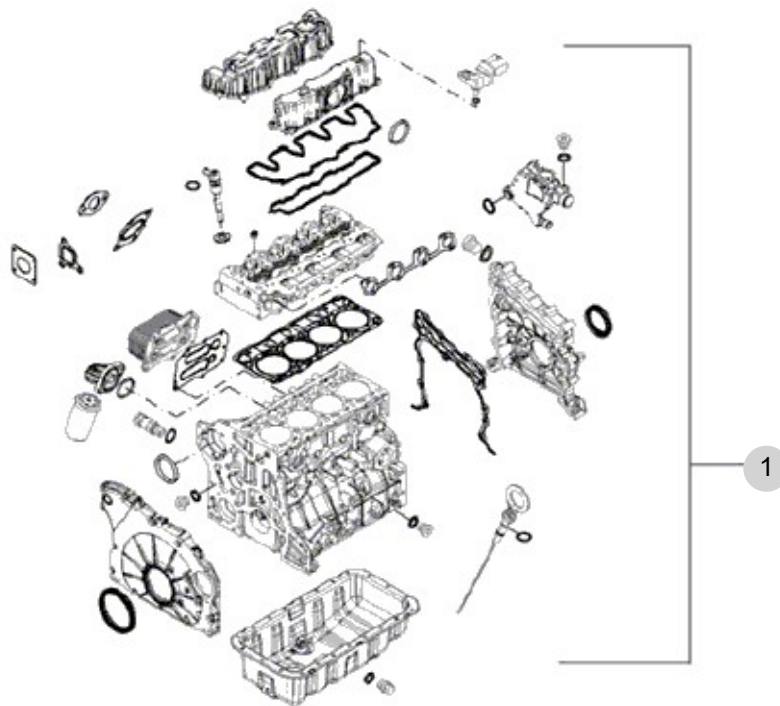
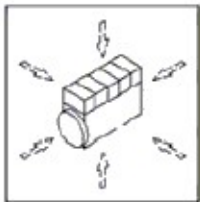
FIG 90

T654SMEUA

0512 4355

년/월
Year/Month

2022-12



90 - 0512 4355

GASKET SET

NOTE

2. Engine Accessories PART NO. T2

FIG 201 AIR CLEANER	68
FIG 202 RADIATOR	70
FIG 203 MUFFLER & EXHAUST PIPE	73
FIG 204 FUEL TANK	76
FIG 205 FUEL FILTER & FUEL PUMP	78
FIG 206 BLOCK HEATER	80

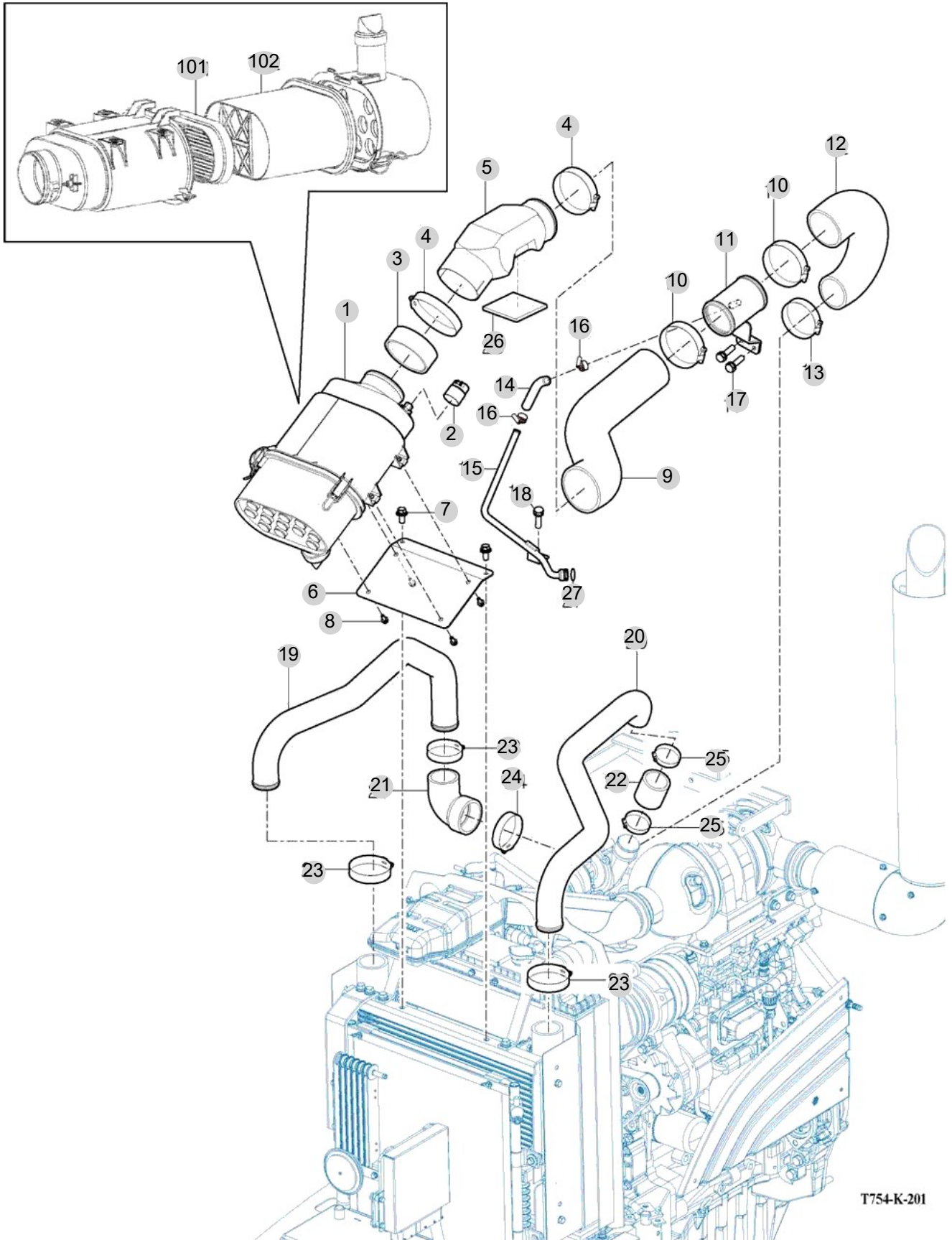
FIG 201

AIR CLEANER

년/월
Year/Month

2022-12

T654SMEUA



T754-K-201

NOTE

FIG 201 T654SMEUA	AIR CLEANER					년/월 Year/Month
						2022-12

KEY NO	PART NO	DESCRIPTION	SPEC	QTY	REPAIR	EFFECTIVE DATE	REMARKS
201	1	10031032000	AIR CLEANER ASSY , PSD080020	1X1X1	1		
201	101	10031032020	FILTER ASSEMBLY , P600975	1X1X1	1		
201	102	10031032050	ELEMENT , AIR CLEANER	1X1X1	1		
201	2	18021032100	INDICATOR , REX770050 5KPa		1		
201	3	18021130030	PACKING , GASKET D89		1		
201	4	10031021100	HOSE CLIP , TORRO 90-110/12 W3 WF	D=101	2		
201	5	18021030030	INLET PIPE		1		
201	6	10031032200GB	BRACKET COMP , AIR CLEANER		1		
201	7	V2183608020	BOLT , HEX/SP	M8X20	2		
201	8	V2113606020	BOLT , HEX /S	M6X20	4		
201	9	18021030011	HOSE , AIR INLET A		1		
201	10	10031020900	HOSE CLIP , TORRO 70-90/12 W3 WF	D=101	2		
201	11	18021045500	JOINT PIPE COMP		1		
201	12	18021030020	HOSE , AIR INLET B		1		
201	13	10031020800	HOSE CLIP , TORRO 60-80/12 W3 WF	D=101	1		
201	14	18021024241	BREATHER HOSE 105		1		
201	15	18021045601GB	BREATHER PIPE COMP		1		
201	16	37681850160	BAND CLAMP 25		2		
201	16	18027090250	BAND CLAMP 25 EMBO TYPE		2		
201	17	V2183608016	BOLT , HEX/SP	M8X16	2		
201	18	V2123606016	BOLT , HEX /SP	M6X16	1		
201	19	15701045200	PIPE COMP , CAC OUTLET		1		
201	20	18021045101	CAC PIPE , INLET		1		
201	21	18021045400	HOSE , CAC ELBOW		1		
201	22	18021045300	HOSE , REDUCER ID50.8x63.5		1		
201	23	10031020700	HOSE CLIP , TORRO 50-70/12 W3 WF	1X1X1	3		
201	24	10031020800	HOSE CLIP , TORRO 60-80/12 W3 WF	D=101	1		
201	25	10031020600	HOSE CLIP , TORRO 40-60/12 W3 WF	1X1X1	2		
201	26	10031040020	INSULATOR , RADIATOR	T=10	1		
201	27	V7201024018	O-RING , P	P18	1		

NOTE	
------	--

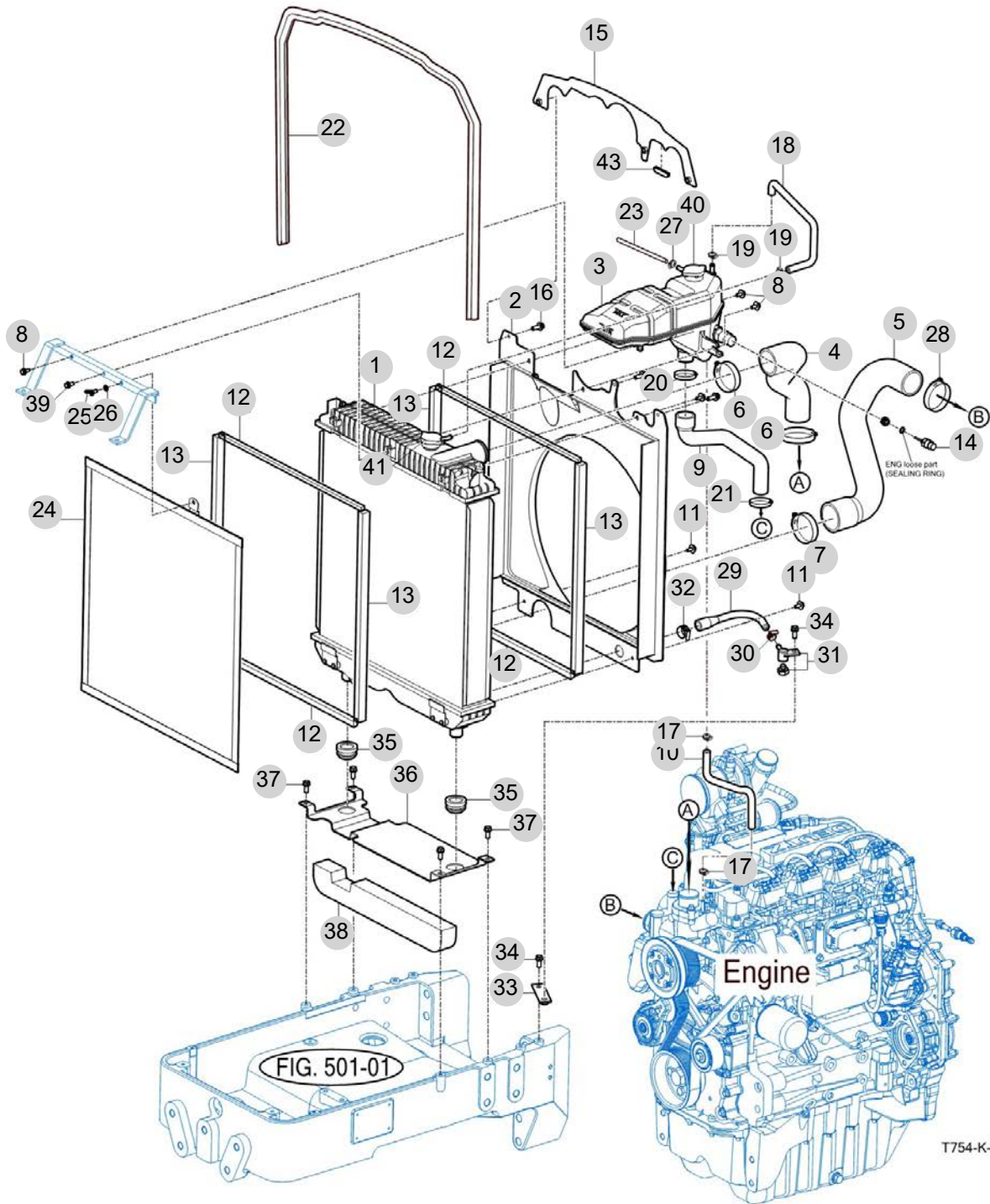
FIG 202

RADIATOR

년/월
Year/Month

2022-12

T654SMEUA



NOTE

FIG 202 T654SMEUA		RADIATOR					년/월 Year/Month	
							2022-12	
KEY NO	PART NO	DESCRIPTION	SPEC	QTY	REPAIR	EFFECTIVE DATE	REMARKS	
202	1	18021042500	RADIATOR ASSY			1		
202	2	18021042201	SHROUD			1		
202	3	18021041002	RESERVE TANK			1		
202	3	18021041003	RESERVOIR TANK			1		
202	4	18021040010	HOSE , RADIATOR INLET			1		
202	5	18021040020	HOSE , RADIATOR/OUTLET			1		
202	6	34513310040	BAND CLAMP 64			2		
202	6	18027090600	BAND CLAMP 60 EMBO TYPE			2		
202	7	18027090700	BAND CLAMP 70 EMBO TYPE			1		
202	8	V2193606025	BOLT , HEX/SPL	M6X25		3		
202	9	18021040030	HOSE ID22			1		
202	10	18028200081	HOSE 290			1		
202	11	V2193606016	BOLT , HEX/SPL	M6X16		3		
202	12	16601042340	SPONGE , 495			4		
202	13	10011042360	SPONGE , 20X15	20X15X490		4		
202	14	04218100	LEVEL SWITCH			1		
202	15	18021042300GB	PLATE COMP , SEAL C			1		
202	16	V2323606016	BOLT , C/R HEX/SP	M6X16		3		
202	17	14501410050	BAND CLAMP 16			2		
202	17	18027090160	BAND CLAMP 16 EMBO TYPE			2		
202	18	18021040041	HOSE RD TANK			1		
202	19	14501410050	BAND CLAMP 16			2		
202	19	14501410050	BAND CLAMP 16			2		
202	19	18027090160	BAND CLAMP 16 EMBO TYPE			2		
202	20	14241010050	WIRE CLAMP 42			1		
202	20	18027090500	BAND CLAMP 50 EMBO TYPE			1		
202	21	18027090400	BAND CLAMP 40 EMBO TYPE			1		
202	22	10031040320	INSULATOR			1		
202	23	18021040050	HOSE , BREATHER 500			1		
202	24	17811042300GB	NET COMP , RADIATOR			1		
202	25	V2712606012	BOLT , WING	M6X12		1		
202	26	V4111600060	WASHER , PLAIN	M6		1		
202	27	14501410050	BAND CLAMP 16			1		
202	27	14501410050	BAND CLAMP 16			2		
202	27	18027090160	BAND CLAMP 16 EMBO TYPE			1		
202	28	18027090600	BAND CLAMP 60 EMBO TYPE			1		
202	29	19021040091	HOSE(210)	1X1X1		1		
202	30	37481850030	BAND CLAMP 18			1		
202	30	18027090160	BAND CLAMP 16 EMBO TYPE	1/2 3/4		1		
202	31	15231041000	CONNECTOR			1		
202	32	37681850160	BAND CLAMP 25			1		
202	32	18027090250	BAND CLAMP 25 EMBO TYPE			1		
202	33	16991041100GB	PLATE COMP , CONNECTOR	1X1X1		1		
202	34	V2183608025	BOLT , HEX/SP	M8X25		1		
202	35	19021040020	CUSHION RADIATOR	1X1X1		2		
NOTE								

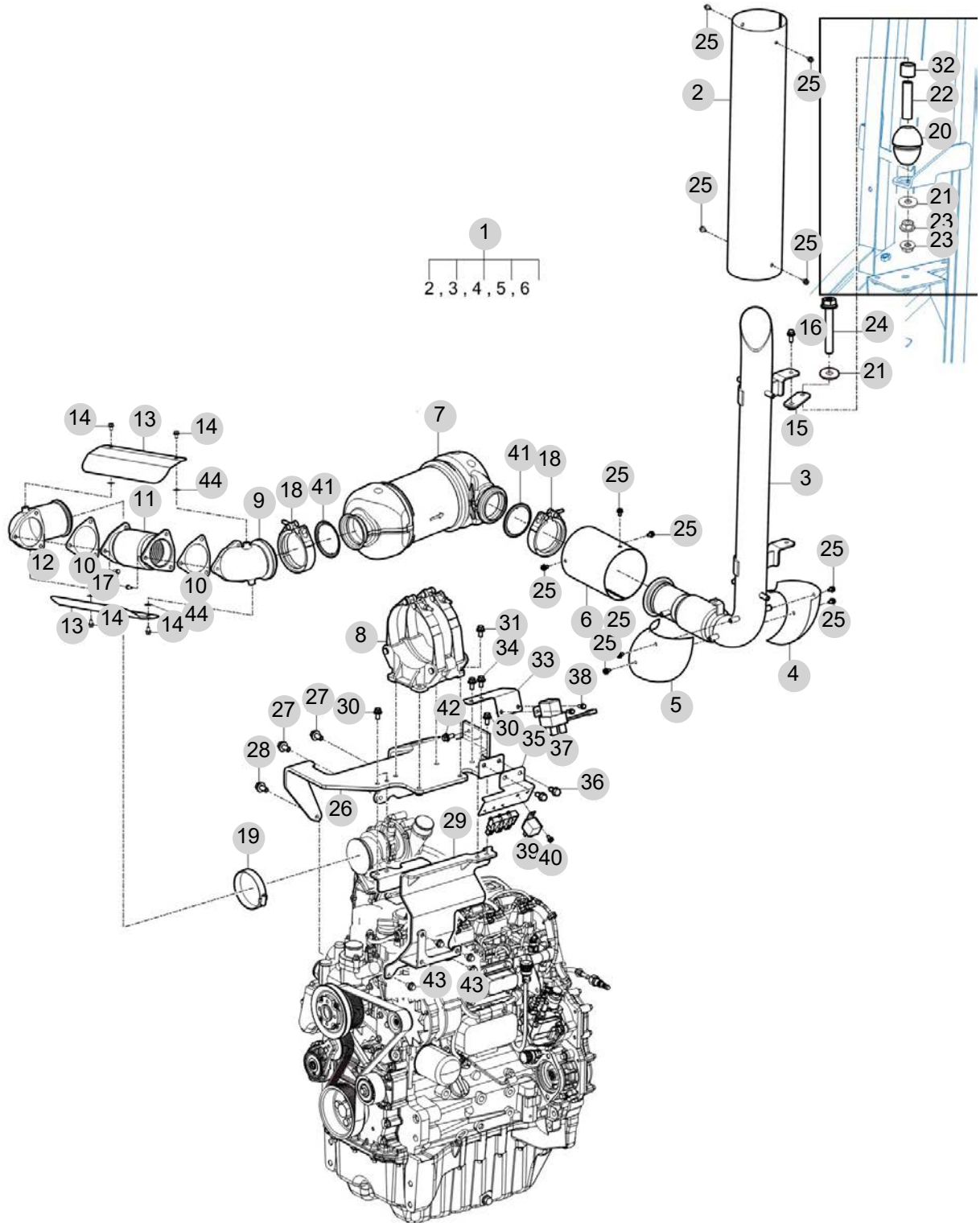
FIG 203

MUFFLER & EXHAUST PIPE

년/월
Year/Month

2022-12

T654SMEUA



NOTE

FIG 203 T654SMEUA		MUFFLER & EXHAUST PIPE					년/월 Year/Month	
							2022-12	
KEY NO	PART NO	DESCRIPTION	SPEC	QTY	REPAIR	EFFECTIVE DATE	REMARKS	
203	1	18021061001	EXHAUST PIPE ASSY			1		
203	7	04603915	CATALYST ax rd 90(DOC)			1		
203	7	04605726	CATALYST ax rd 90(DOC)			1		
203	8	04604243	BRACKET (DOC MOUNT)			1		
203	8	04605741	BRACKET (DOC MOUNT)			1		
203	9	18021061600DD	ELBOW / DOC			1		
203	10	18021061800	GASKET , BELLOWS			2		
203	11	18021061700DD	BELLOWS COMP			1		
203	12	18021061500DD	ELBOW / TC			1		
203	13	18021062100DD	PLATE , INSULATOR			1		
203	13	18021062400DD	PLATE COMP , INSULATION			1		
203	14	V2123606012	BOLT , HEX /SP			4		
203	14	V2123606016	BOLT , HEX /SP	M6X16		4		
203	15	18021061900GB	CONNECTOR COMP			1		
203	16	V2183608020	BOLT , HEX/SP	M8X20		1		
203	17	V2173608020	BOLT , HEX/S	M8X20		6		
203	18	04603585	CLIP			1		
203	18	04607110	CLIP			2		
203	19	04602018	CLIP			1		
203	20	18501058010	RUBBER, VIBRATION	1X1X1		2		
203	21	35605033020	WASHER , WIRE WITHDRAWAL	T=1.6		4		
203	22	18501058020	SPACER	1X1X1		2		
203	23	V3802600060	NUT , HEX FLANGE	M6		4		
203	24	V2003606090	BOLT , HEX	M6X90		2		
203	25	V2327006012	BOLT , C/R HEX/SP	M6X12		11		
203	26	18021051502GB	BRACKET COMP , DOC			1		
203	26	18021051503GB	BRACKET COMP , DOC			1		
203	27	V2183608025	BOLT , HEX/SP	M8X25		2		
203	28	V2183608025	BOLT , HEX/SP	M8X25		1		
203	29	18021052500GB	BRACKET COMP , DOC SIDE			1		
203	30	V2183608030	BOLT , HEX/SP	M8X30		4		
203	31	V2183608035	BOLT , HEX/SP	M8X35		4		
203	32	15701062000	COLLAR 20X7X20			2		
203	32	15701062001	COLLAR 20X7X15			2		
203	33	18021051601GB	BKT COMP , GLOW RELAY			1		
203	34	V2183608025	BOLT , HEX/SP	M8X25		2		
203	35	18021052101GB	BKT COMP , FUSE			1		
203	36	V2183608025	BOLT , HEX/SP	M8X25		2		
203	37	10036802800	RELAY ASSY , GLOW			1		
203	38	V2123606016	BOLT , HEX /SP	M6X16		2		
203	39	11616212900	RELAY 5P			1		
203	40	V2123606016	BOLT , HEX /SP	M6X16		1		
203	41	04600004	GASKET DOC			2		
203	42	V2183608025	BOLT , HEX/SP	M8X25		2		
203	43	V2183608020	BOLT , HEX/SP	M8X20		5		
NOTE								

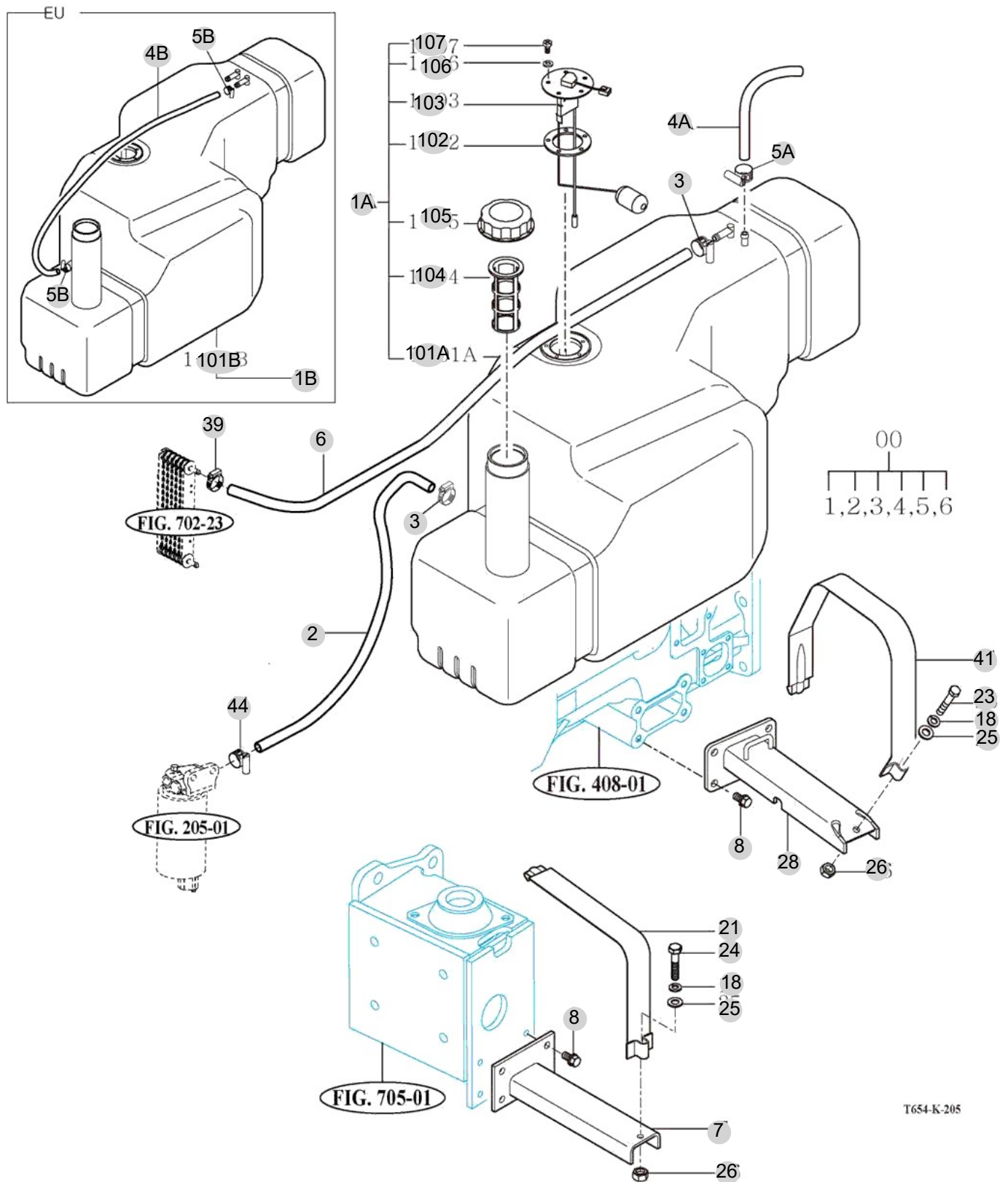
FIG 204

FUEL TANK

년/월
Year/Month

2022-12

T654SMEUA



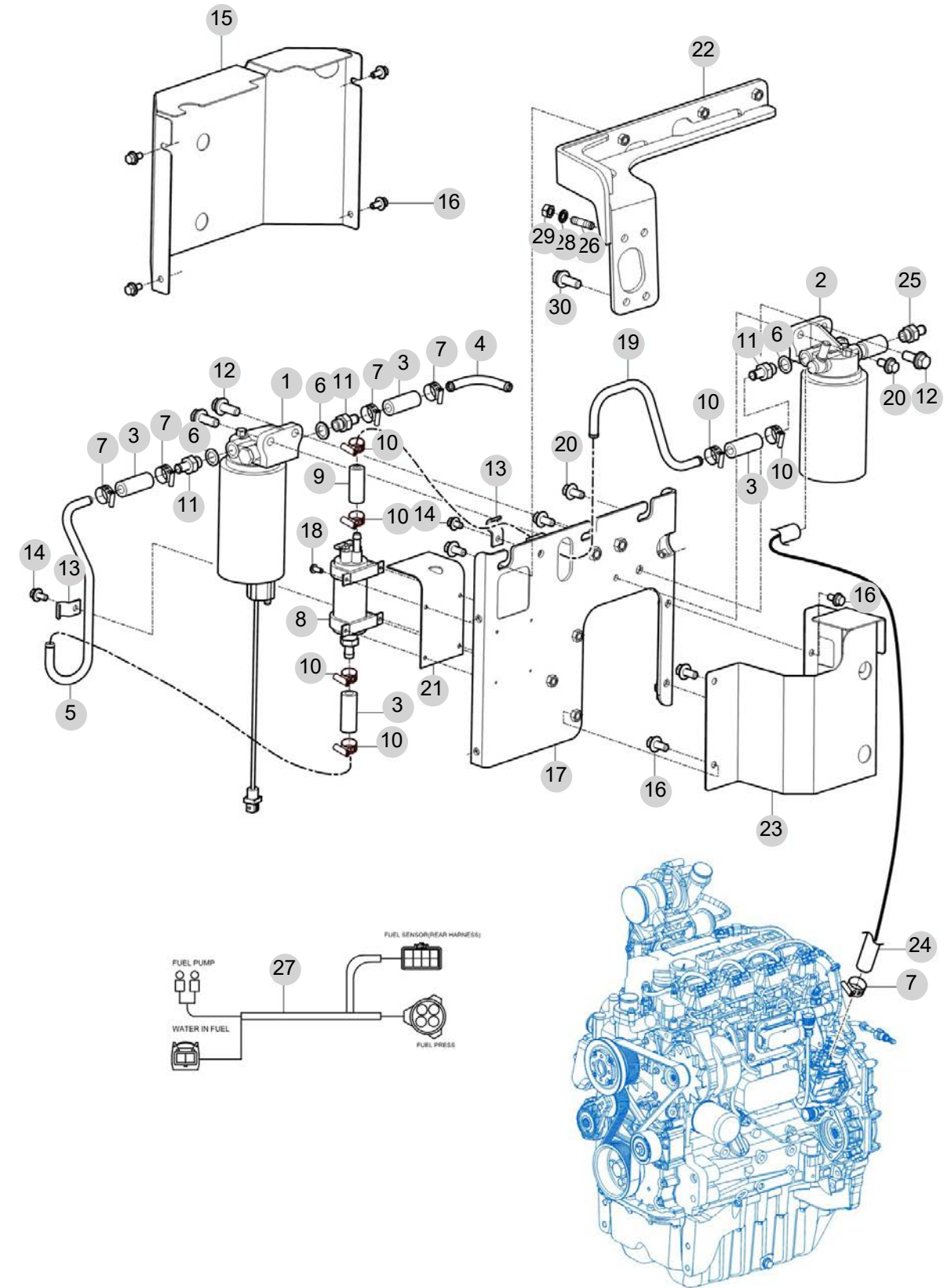
NOTE

FIG 205

FUEL FILTER & FUEL PUMP

년/월
Year/Month

2022-12



NOTE

FIG 206

T654SMEUA

BLOCK HEATER

년/월
Year/Month

2022-12



NOTE

3. Clutch/Brake/Steering PART NO. T3

FIG 301 CLUTCH	83
FIG 302 CLUTCH PEDAL	85
FIG 303 BRAKE	88
FIG 304 BRAKE PEDAL & LINK	90
FIG 305 FRONT WHEEL	92
FIG 306 REAR WHEEL	94
FIG 307 POWER STEERING WHEEL	96
FIG 308 POWER STEERING VALVE	98
FIG 309 POWER STEERING CYLINDER	100
FIG 310 HAND BRAKE & BRAKE	102

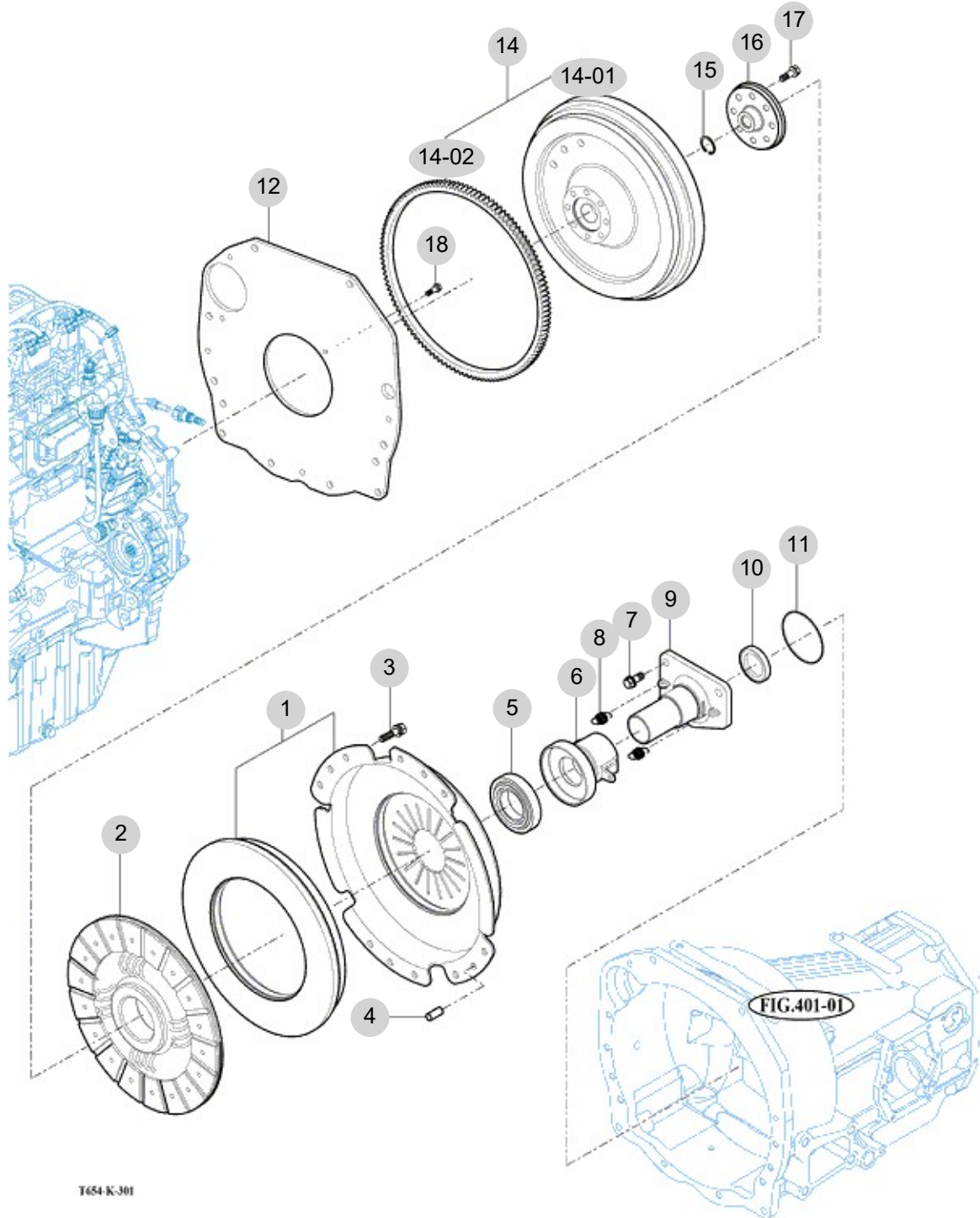
FIG 301

T654SMEUA

CLUTCH

년/월
Year/Month

2022-12



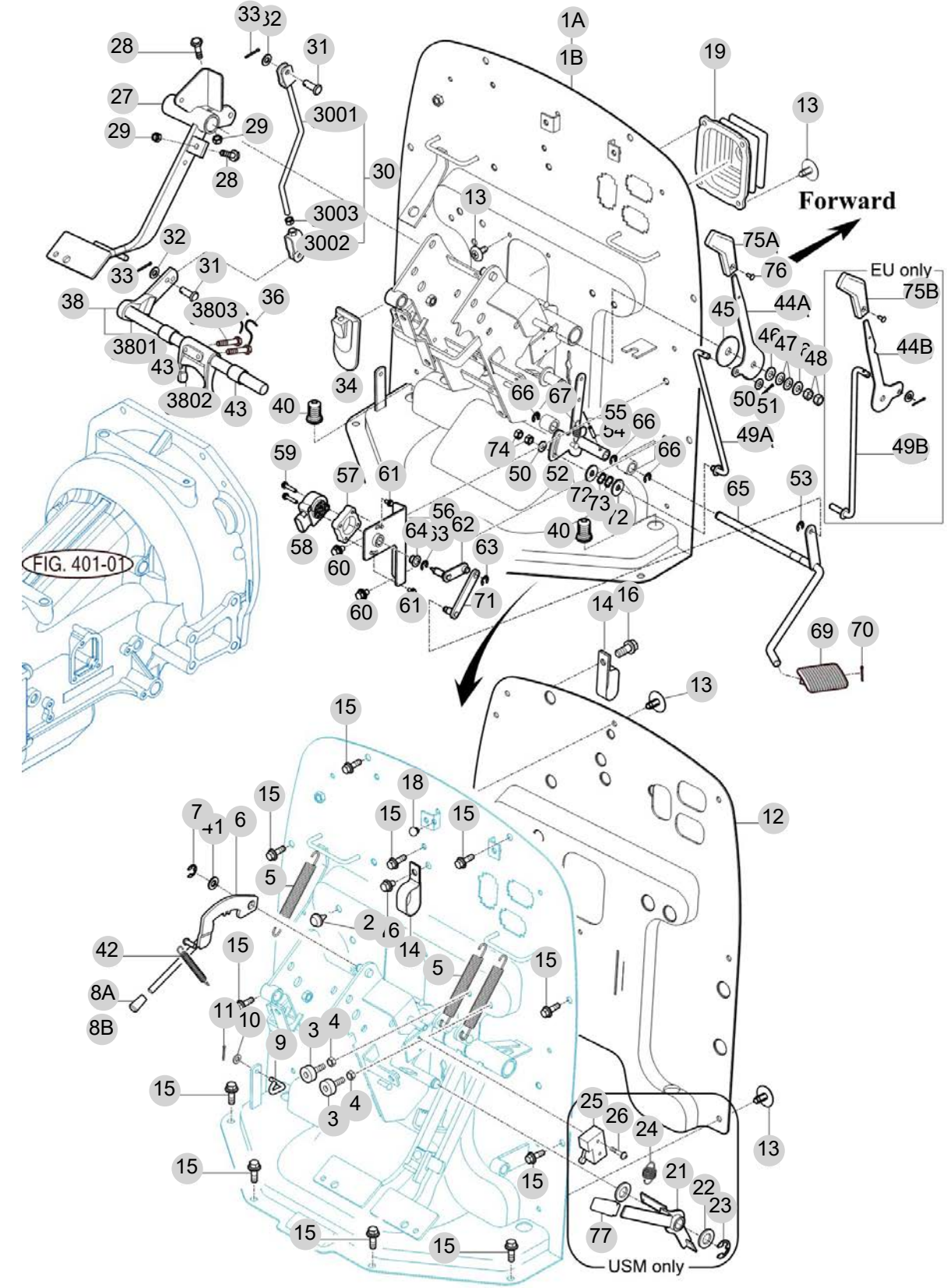
NOTE

FIG 302

CLUTCH PEDAL

년/월
Year/Month

2022-12



NOTE

FIG 302		CLUTCH PEDAL						년/월 Year/Month	
								2022-12	
T654SMEUA		KEY NO	PART NO	DESCRIPTION	SPEC	QTY	REPAIR	EFFECTIVE DATE	REMARKS
302	1A	15706304200GB	PANEL COMP , DASH			1			
302	1B	15716304200GB	PANEL COMP , DASH			1			
302	2	14326160020	RUBBER , CUSHION	1X1X1		1			
302	3	14216020051	RUBBER , CUSHION B	1X1X1		2			
302	4	V3043600080	NUT , HEX/2	M8		2			
302	5	14041200080	RETURN SPRING , CLUTCH	HL2000공용		3			
302	6	14724042401GB	LEVER COMP , TILT	1X1X1		1			
302	7	V7081400090	E-RING	9		1			
302	8A	21615250020	GRIP , LEVER/RED			1			
302	8B	14445070030	GRIP , LEVER			1			
302	9	15441230050	ROD	D=5.25 5.3		1			
302	10	V4111600060	WASHER , PLAIN	M6		1			
302	11	V5001920020	PIN , SPLIT	2X20		1			
302	12	18027071991	INSULATOR,DASH			1			
302	13	17686040020	RIVET SET , black	SV625		13			
302	14	14441010161	CLAMP , RADIATOR HOSE	1X1X1		2			
302	15	V2183608016	BOLT , HEX/SP	M8X16		10			
302	16	V2183608020	BOLT , HEX/SP	M8X20		2			
302	18	15276040020	CLIP , TRIM	1X1X1		2			
302	19	19996300010	BOOT,STEERING/HOSE	T=1.5		1			
302	21	14523293301GB	LEVER COMP,PARKING	1X1X1		1			
302	22	V4111600160	WASHER , PLAIN	M16		1			
302	23	V7081400150	E-RING	15		1			
302	24	14321200040	SPRING , TENSION 31	D=1.2		1			
302	25	16756214701	SWITCH ASSY , SAFETY	1X1X1		1			
302	26	V1222604025	SCREW , C/R PAN/SP	M4X25		2			
302	27	19991332100GB	PEDAL COMP , CLUTCH	340*100*150		1			
302	28	V2013608030	BOLT , HEX	M8X30		2			
302	29	V3043600080	NUT , HEX/2	M8		2			
302	30	15701330000GB	ROD SUB , CLUTCH			1			
302	30	15701330000	ROD SUB , CLUTCH			1			
302	30	15701330000	ROD SUB , CLUTCH			1			
302	3001	15701333100	ROD COMP , CLUTCH			1			
302	3002	19991333200	HOOK COMP	66*22*18.5		1			
302	3003	V3042600080	NUT , HEX/2	M8		1			
302	31	14322420010	PIN	D=8		2			
302	32	V4111600100	WASHER , PLAIN	M10		2			
302	33	V5001925020	PIN D2.5x20	2.5X20		2			
302	34	14526300210	BOOT,CLUTCH PEDAL	1X1X1		1			
302	36	V5901012150	WIRE , STEEL	1.2X150		1			
302	38	15701302000	BAR SET			1			
302	38-01	15701302100	BAR COMP			1			
302	38-02	18011300010M	FORK , RELEASE			1			
302	38-03	16791300020	BOLT , FORK/RELEASE			1			
302	40	14521160090	BOOT , BRAKE ROD	1X1X1		2			
NOTE									

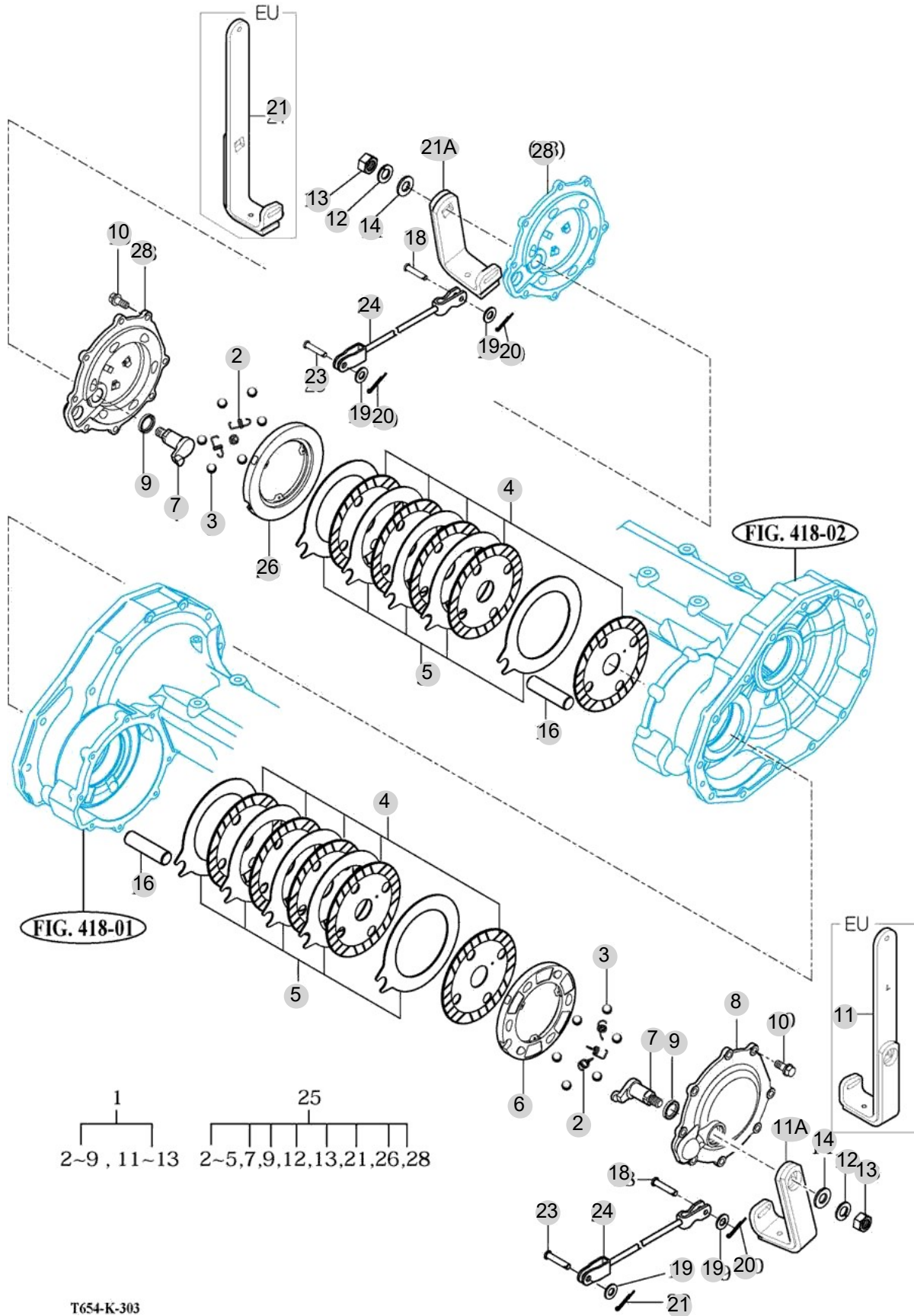
FIG 303

BRAKE

년/월
Year/Month

2022-12

T654SMEUA



NOTE

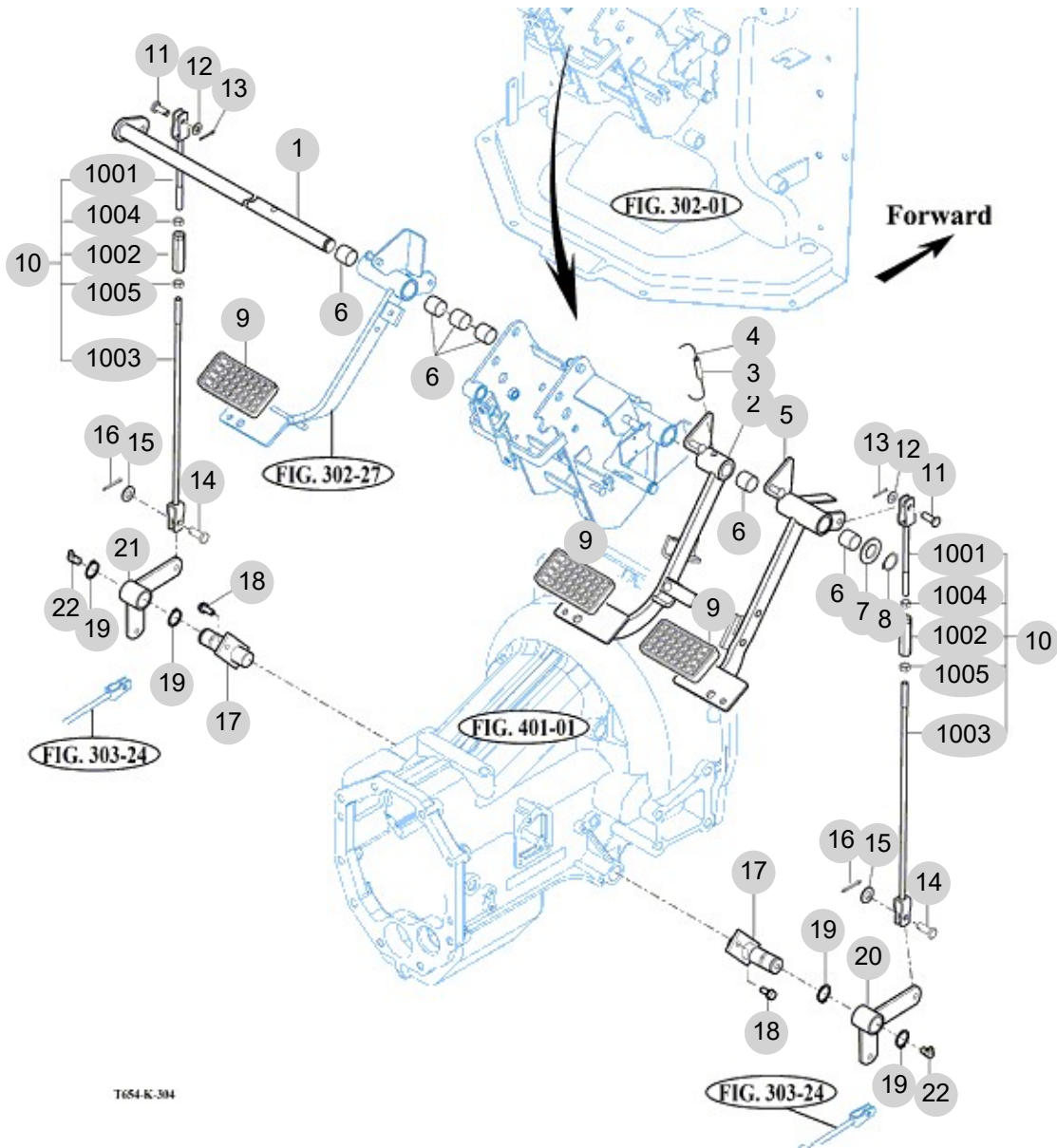
FIG 304

BRAKE PEDAL & LINK

년/월
Year/Month

2022-12

T654SMEUA



NOTE

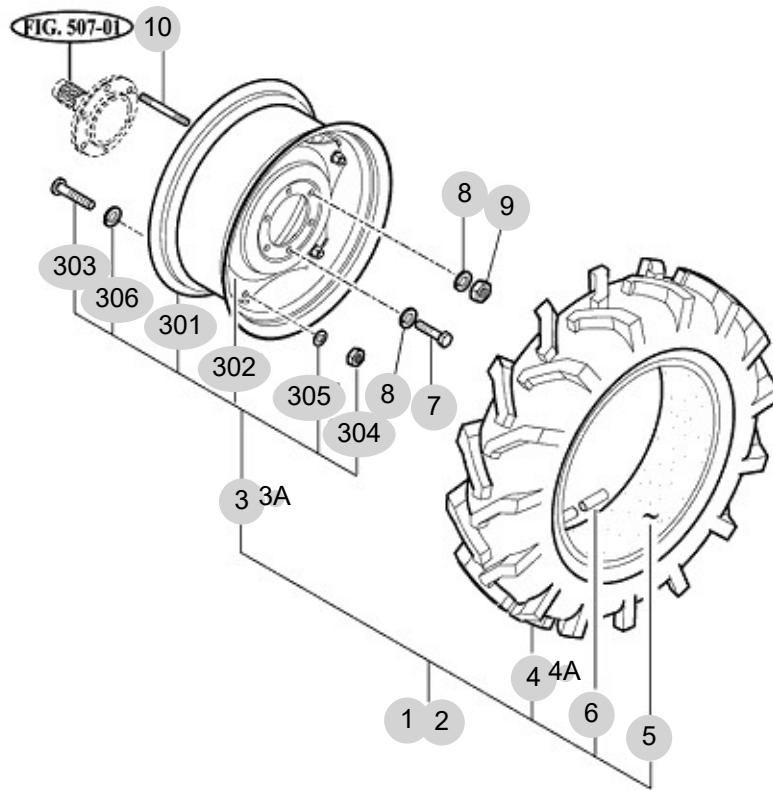
FIG 305

T654SMEUA

FRONT WHEEL

년/월
Year/Month

2022-12



T552/T552NC-K-305A

NOTE

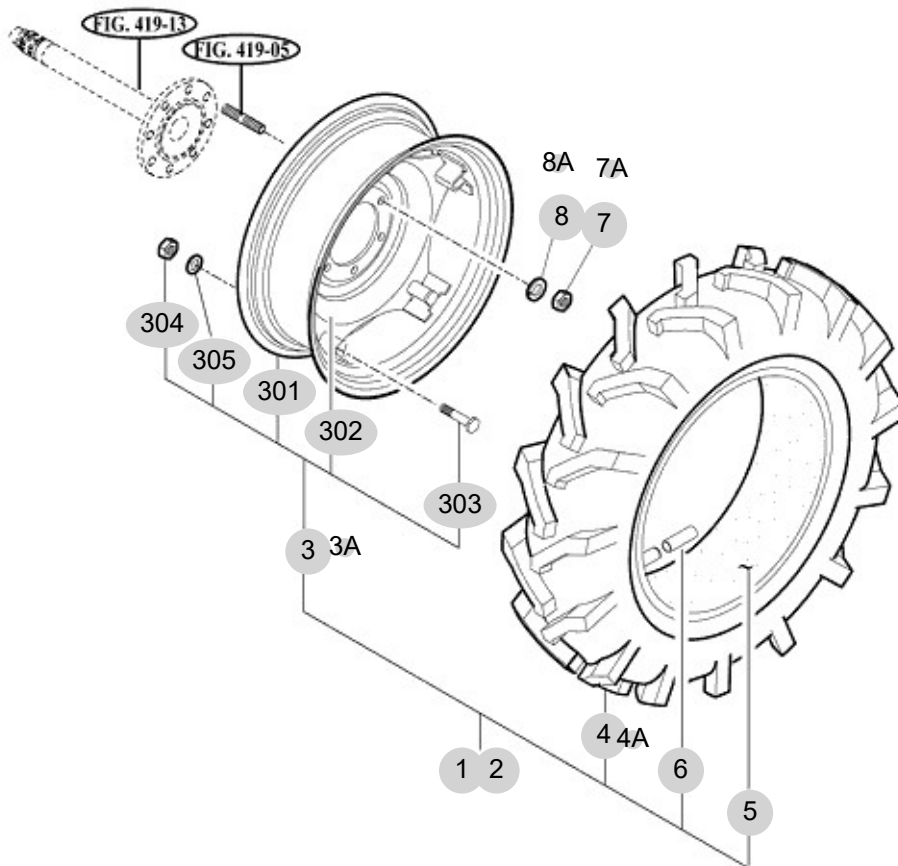
FIG 306

T654SMEUA

REAR WHEEL

년/월
Year/Month

2022-12



T623STQP-K-306

NOTE

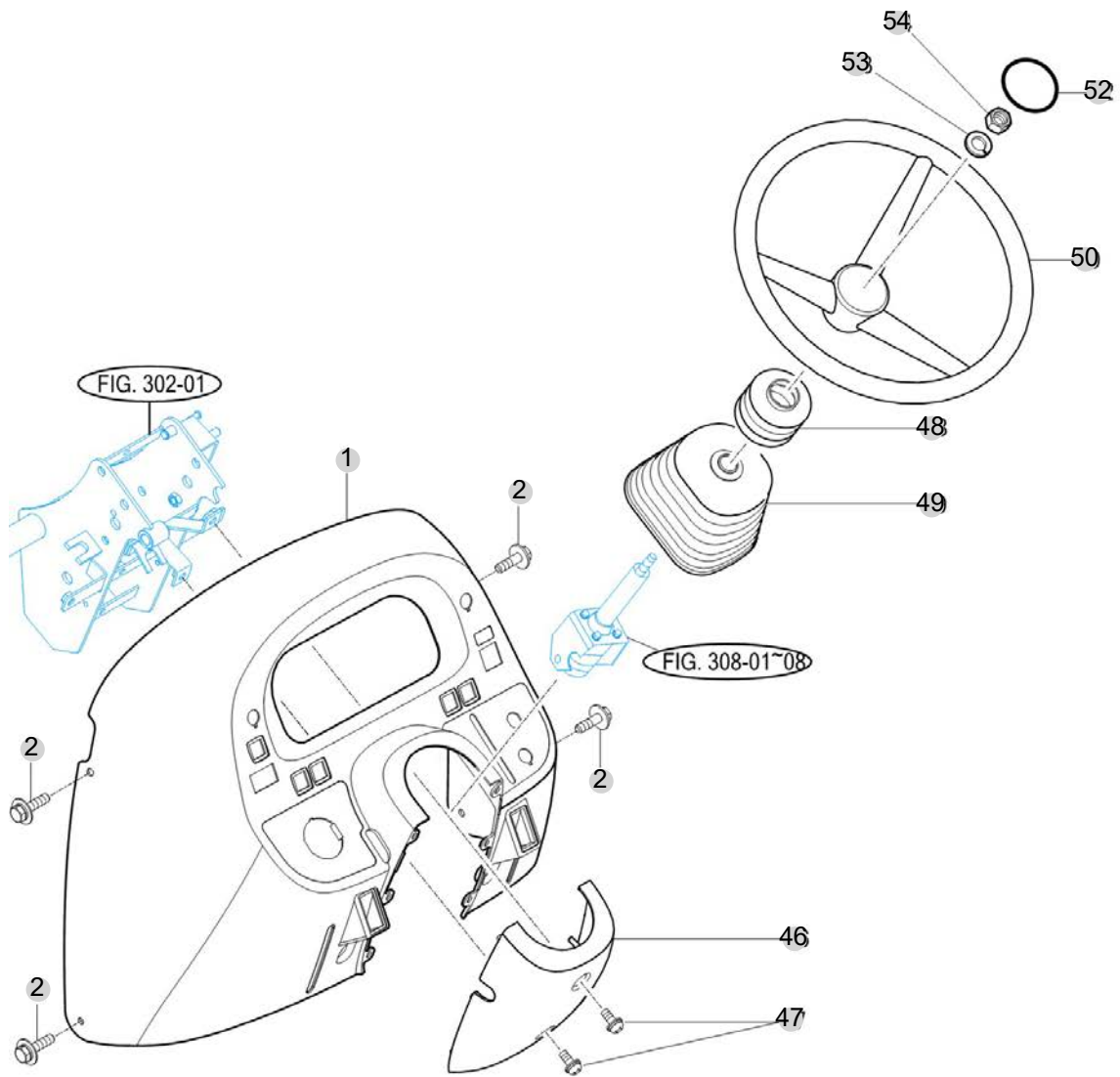
FIG 307

T654SMEUA

POWER STEERING WHEEL

년/월
Year/Month

2022-12



T653-K-307

NOTE

FIG 307 T654SMEUA		POWER STEERING WHEEL						년/월 Year/Month	
								2022-12	
KEY NO		PART NO	DESCRIPTION	SPEC	QTY	REPAIR	EFFECTIVE DATE	REMARKS	
307	1	15537078512	COVER, RR/DASH	T=3	1				
307	2	V2193606016	BOLT , HEX/SPL	M6X16	4				
307	46	14527078522	COVER, FR/DASH		1				
307	47	V2163608020	BOLT , HEX/P	M8X20	4				
307	48	16994011990	BOOT , STEERING	T=2	1				
307	49	14544010050	BOOT , TILT	T=1.5	1				
307	50	14724012100	WHEEL , STEERING	1X1X1	1				
307	52	11644012302	CAP(TYM) , STEERING WHEEL		1				
307	53	V4011600160	WASHER , SPRING	M16	1				
307	54	V3322600160	NUT .HEX FINE/3	M16	1				
NOTE									

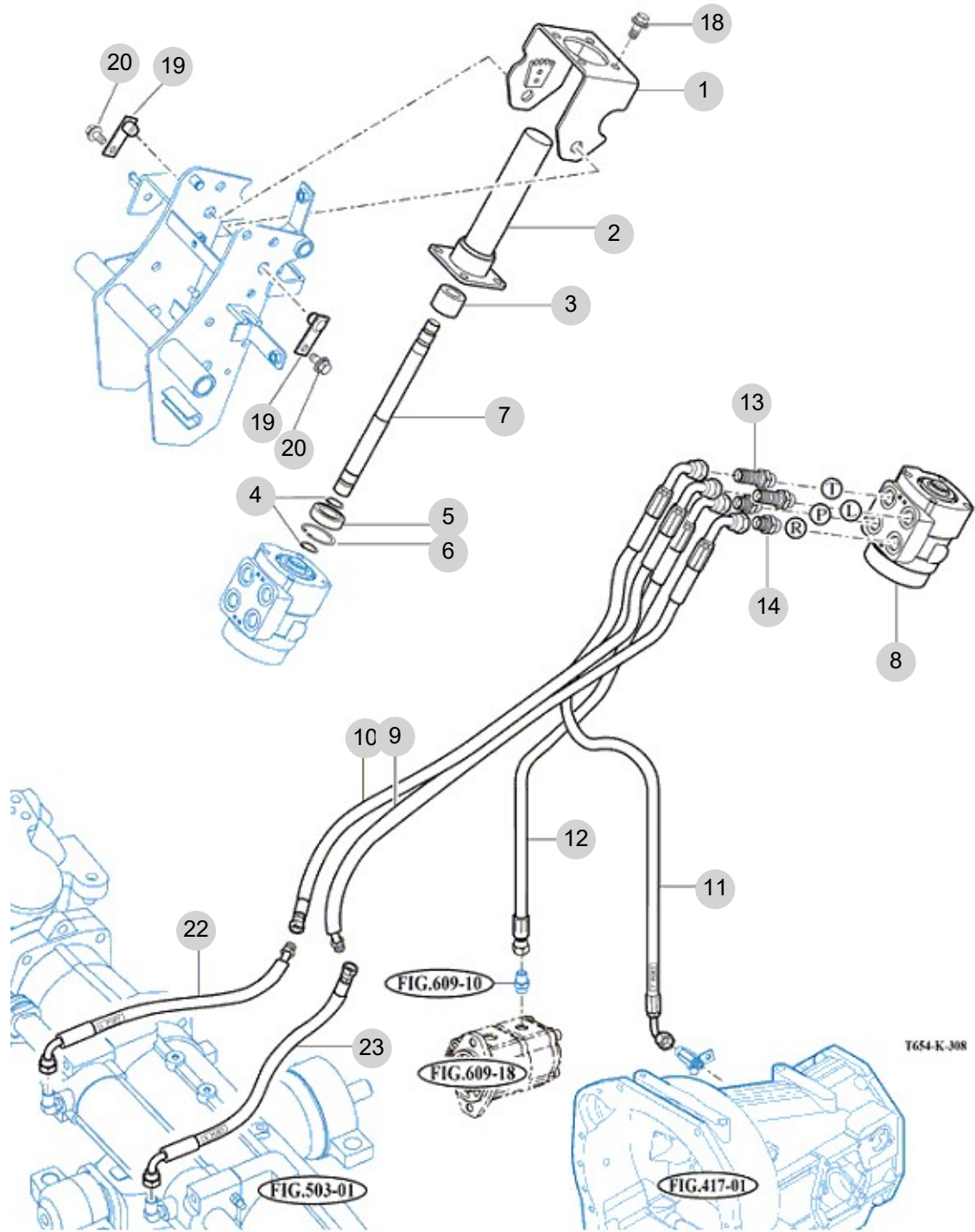
FIG 308

POWER STEERING VALVE

년/월
Year/Month

2022-12

T654SMEUA



NOTE

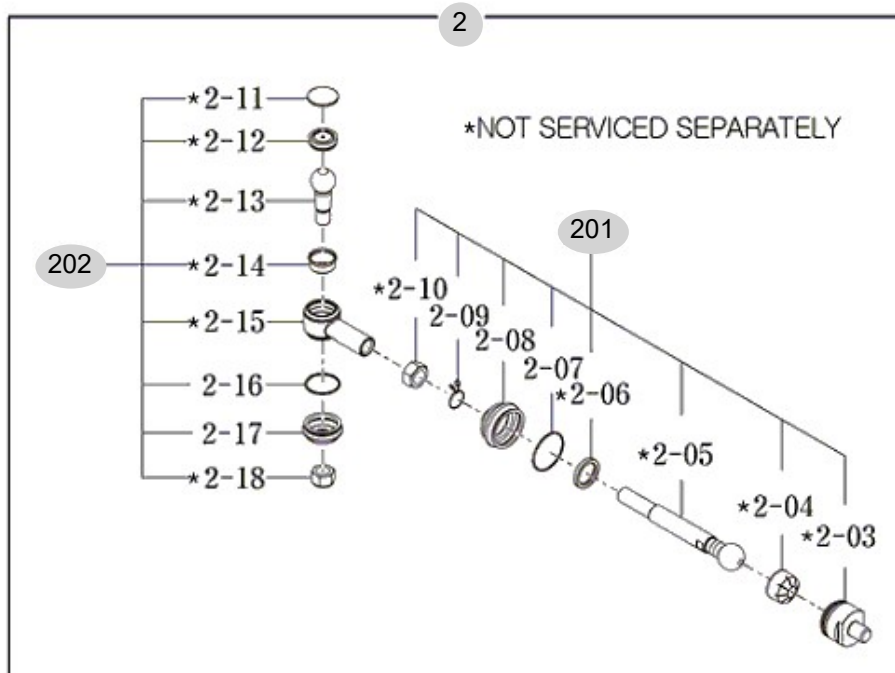
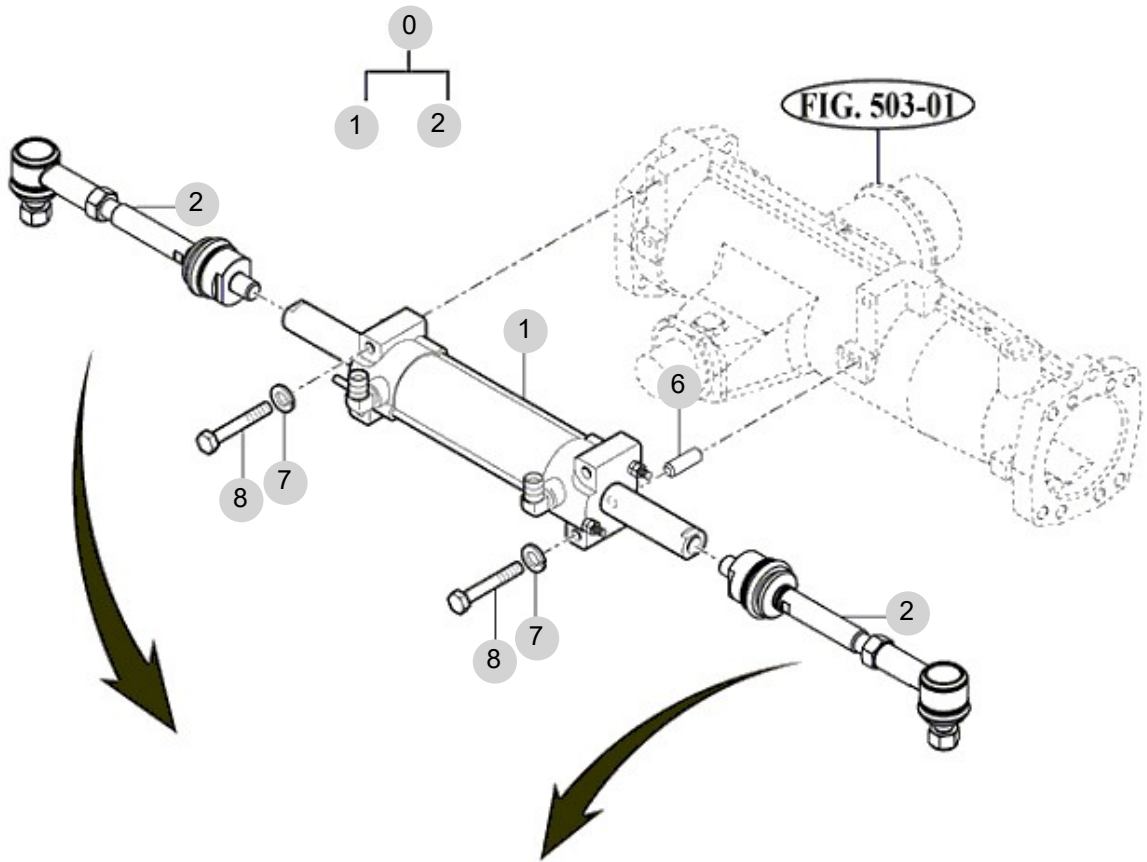
FIG 309

T654SMEUA

POWER STEERING CYLINDER

년/월
Year/Month

2022-12



TX553/653/703-K-309

NOTE

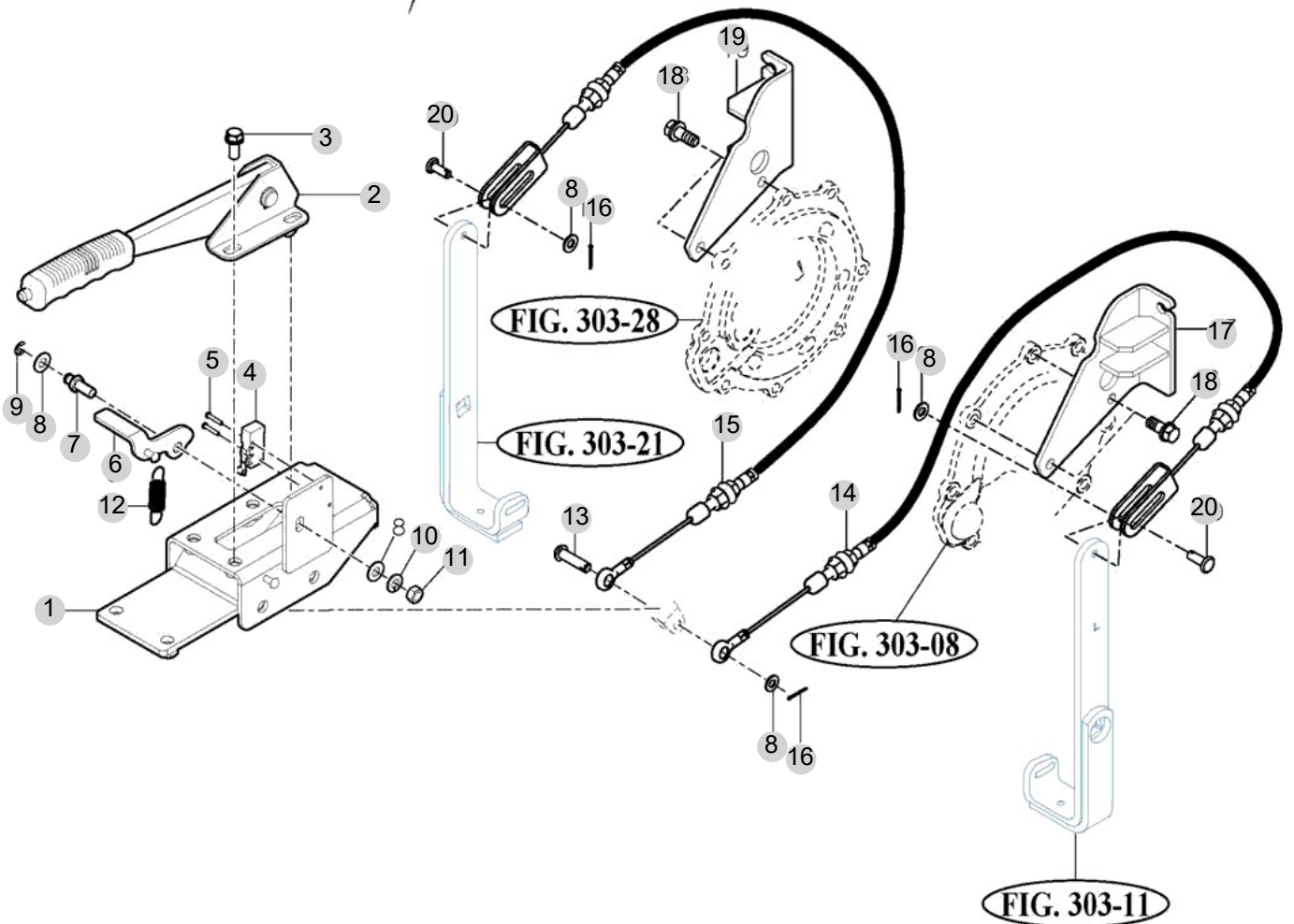
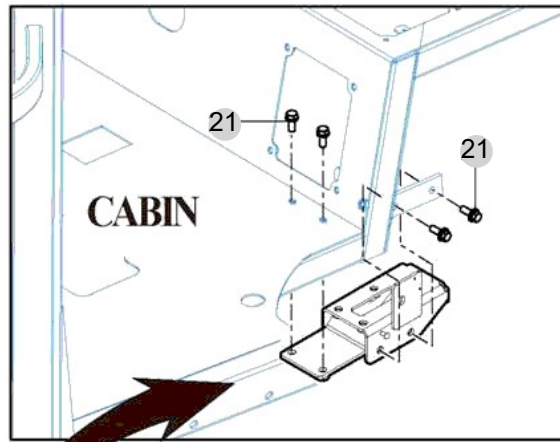
FIG 310

T654SMEUA

HAND BRAKE & BRAKE

년/월
Year/Month

2022-12



NOTE

FIG 310 T654SMEUA	HAND BRAKE & BRAKE						년/월 Year/Month	
							2022-12	

KEY NO	PART NO	DESCRIPTION	SPEC	QTY	REPAIR	EFFECTIVE DATE	REMARKS
310	1	18017612101	BRACKET COMP , HANDBRAKE	1X1X1	1		
310	2	17073202100	BRAKE , HAND		1		
310	3	V2173608020	BOLT , HEX/S	M8X20	4		
310	4	34522153200	SWITCH	1	1		
310	5	V1112603016	SCREW . C/R PAN	M3X16	2		
310	6	19027612301	CAM COMP	1X1X1	1		
310	7	19027612020	PIN , M8	"HEX,B=12"	1		
310	8	V4111600080	WASHER , PLAIN	M8	5		
310	9	V7081400060	E-RING	6	1		
310	10	V4011600080	WASHER , SPRING	M8	1		
310	11	V3042600080	NUT , HEX/2	M8	1		
310	12	11106020010	SPRING , TENSION 40		1		
310	13	14043120060	PIN , YOKE	D=8	1		
310	14	19943166520	CABLE ASSY , HAND BRAKE LH	1X1X1	1		
310	15	19943166510	CABLE ASSY , HAND BRAKE RH	1X1X1	1		
310	16	V5001920020	PIN , SPLIT	2X20	3		
310	17	19943166600			1		
310	17	19943166601	BRACKET , HAND BRAKE		1		
310	18	V2173610030	BOLT , HEX/S	M10X30	4		
310	19	19943166700			1		
310	19	19943166701	BRACKET , HAND BRAKE		1		
310	20	14322420010	PIN	D=8	2		
310	21	V2173608025	BOLT , HEX/S	M8X25	4		

NOTE

4. Transmission PART NO. T4

FIG 401 TRANSMISSION FRONT CASE	105
FIG 402 FORWARD & BACKWARD GEARS	107
FIG 403 CHANGE GEARS	109
FIG 404 REVERSE GEARS	111
FIG 405 P.T.O DRIVE SHAFT	113
FIG 406 MAIN CHANGE LEVER	115
FIG 407 REVERSE CHANGE LEVER	117
FIG 408 TRANSMISSION MID CASE	119
FIG 409 TRANSMISSION REAR CASE	121
FIG 410 SUB CHANGE GEARS	123
FIG 411 SUB CHANGE SHIFTER	125
FIG 412 CREEP CHANGE	127
FIG 413-2 DRIVE GEARS	129
FIG 414 4WD CHANGE LEVER	131
FIG 415 P.T.O CHANGE GEARS	133
FIG 416 P.T.O CHANGE SHIFTER	135
FIG 417 REAR DIFFERENTIAL GEARS	137
FIG 418 REAR AXLE HOUSING	140

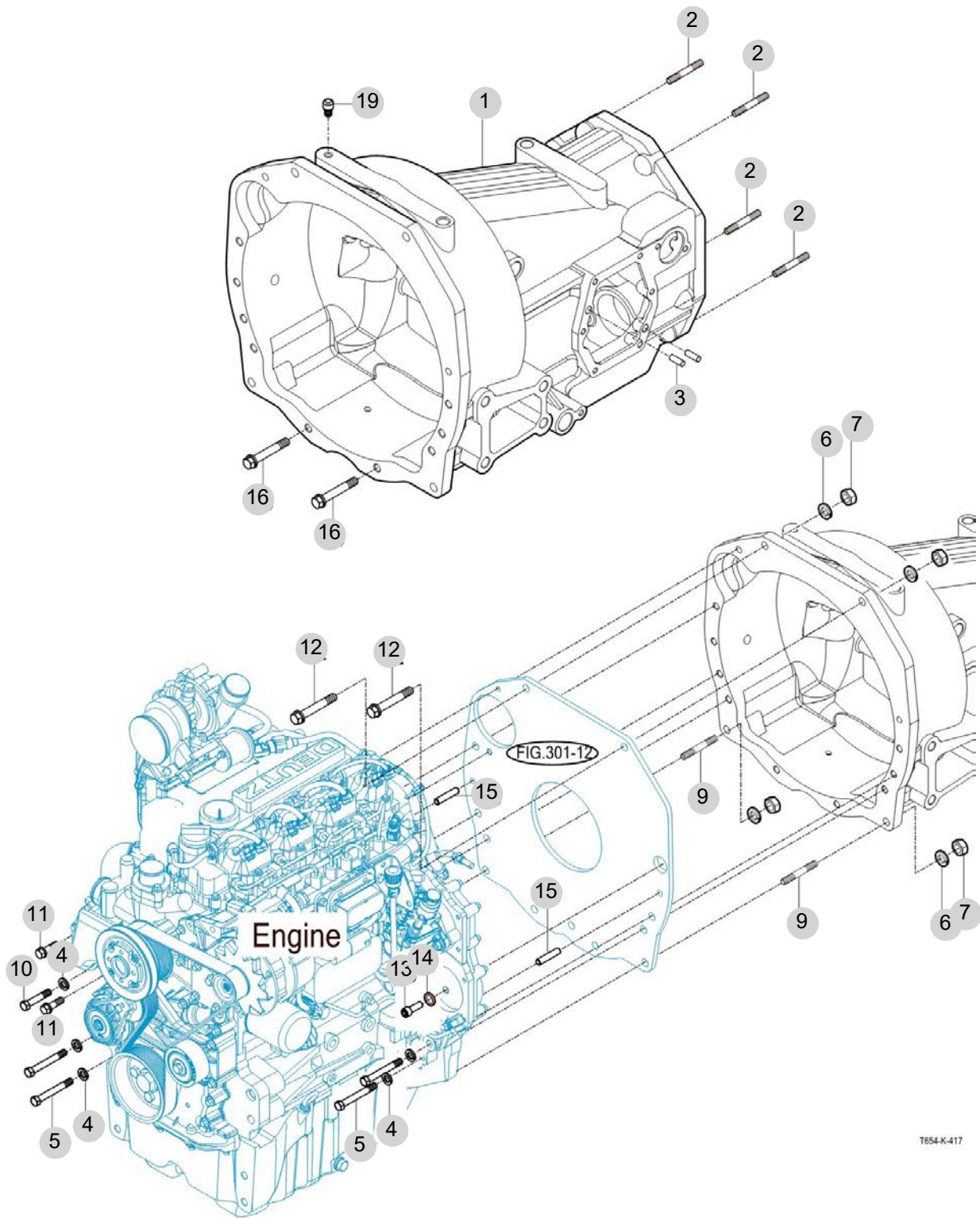
FIG 401

T654SMEUA

TRANSMISSION FRONT CASE

년/월
Year/Month

2022-12



NOTE

FIG 401 T654SMEUA	TRANSMISSION FRONT CASE						년/월 Year/Month
							2022-12

KEY NO	PART NO	DESCRIPTION	SPEC	QTY	REPAIR	EFFECTIVE DATE	REMARKS
401	1	15702010011M	CASE , FRONT T/M		1		
401	1	15702010012M	CASE , FRONT T/M		1		
401	1	15702010013M	CASE , FRONT T/M		1		
401	2	V2513414040	BOLT , STUD/2	M14X40	4		
401	3	V5201010022	PIN , PARALLEL/A	10X22	2		
401	4	V4011600120	WASHER , SPRING	M12	5		
401	5	V2004612100	BOLT , HEX	M12X100	4		
401	6	V4011600120	WASHER , SPRING	M12	4		
401	7	V3043600120	NUT , HEX/2	M12	4		
401	9	V2513412045	BOLT , STUD/2	M12X45	2		
401	10	V2013612060	BOLT , HEX	M12X60	1		
401	11	V2173610030	BOLT , HEX/S	M10X30	2		
401	12	V2004612090	BOLT .HEX NORMAL	M12X90	2		
401	13	18024100020	HEX SOCKET BOLT 12X35		1		
401	14	04134109	DEALING RING		1		
401	14	04134017	SEALING RING		1		
401	15	V5201010053	PIN , PARALLEL/A	10X53	2		
401	16	V2173612045	BOLT , HEX/S	M12X45	2		
401	19	10134080020	AIR BREATHER		1		

NOTE	
------	--

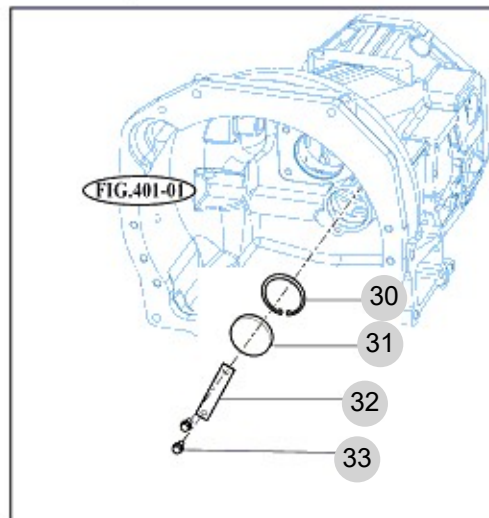
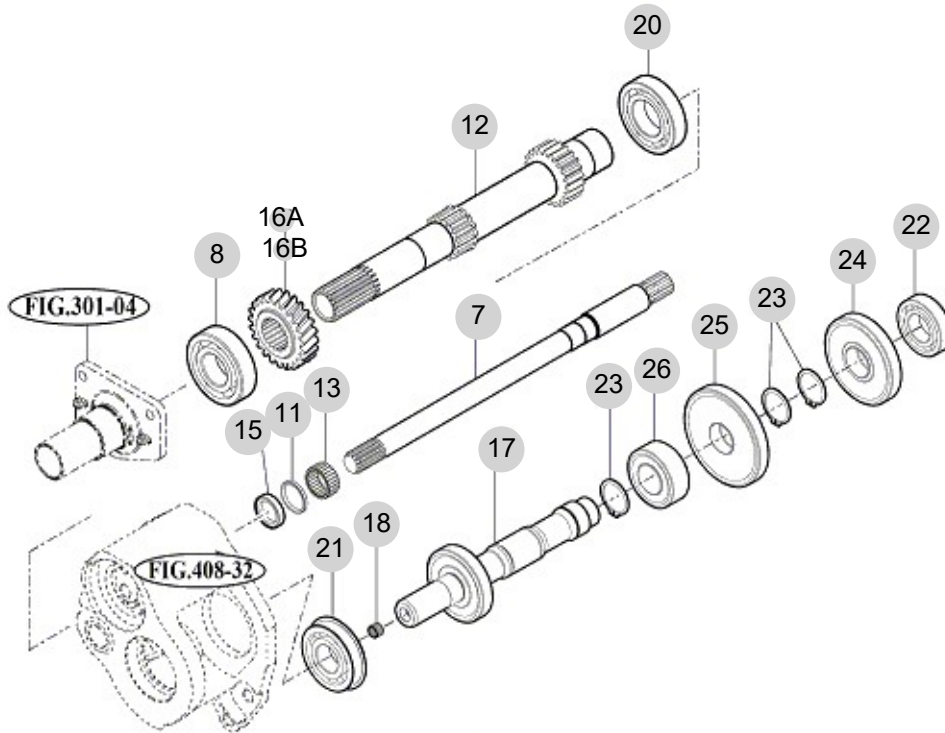
FIG 402

FORWARD & BACKWARD GEARS

년/월
Year/Month

2022-12

T654SMEUA



*NOT SERVICED SEPARATELY

T654-E-402

NOTE

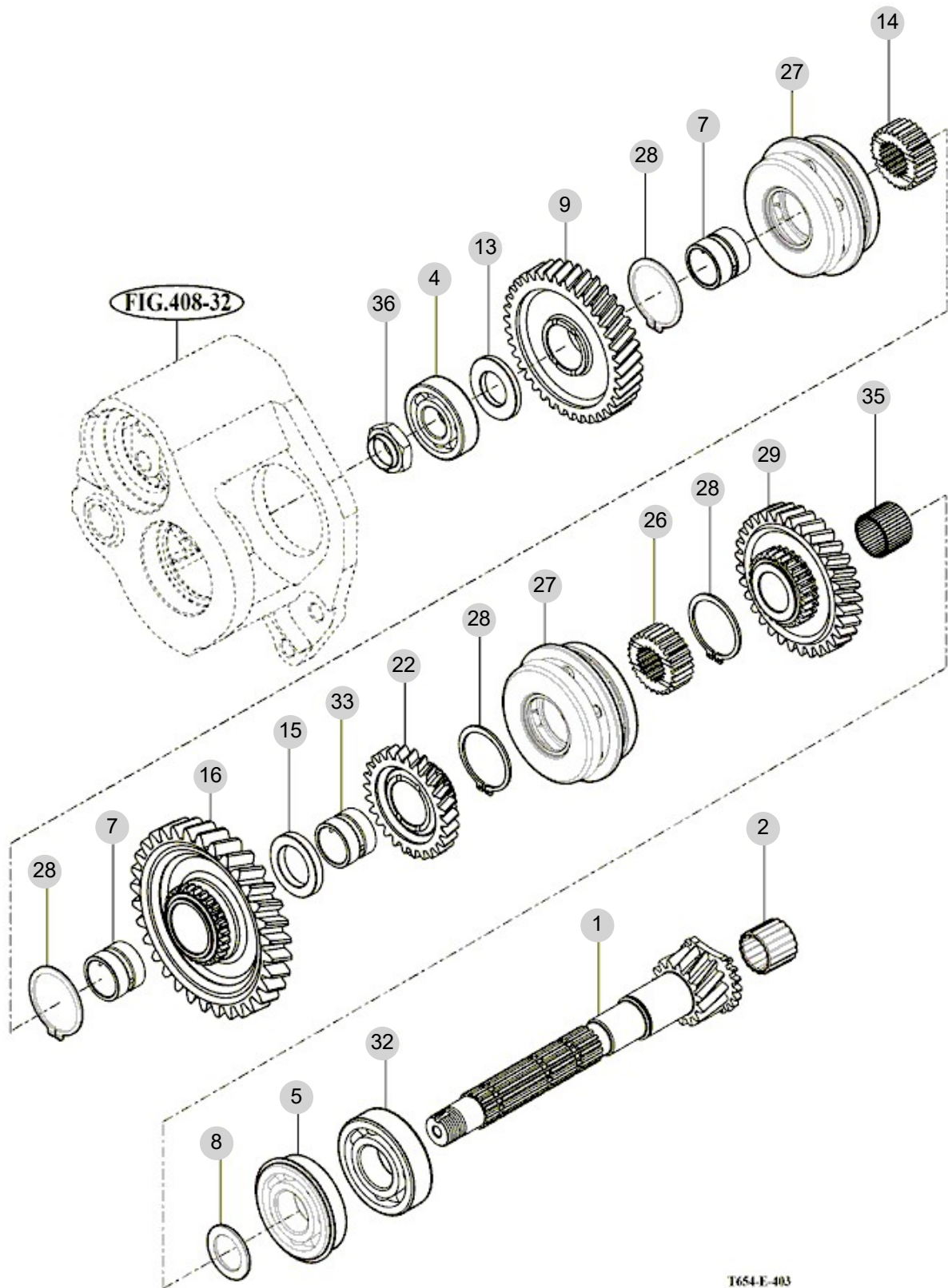
FIG 403

CHANGE GEARS

년/월
Year/Month

2022-12

T654SMEUA



T654-E-403

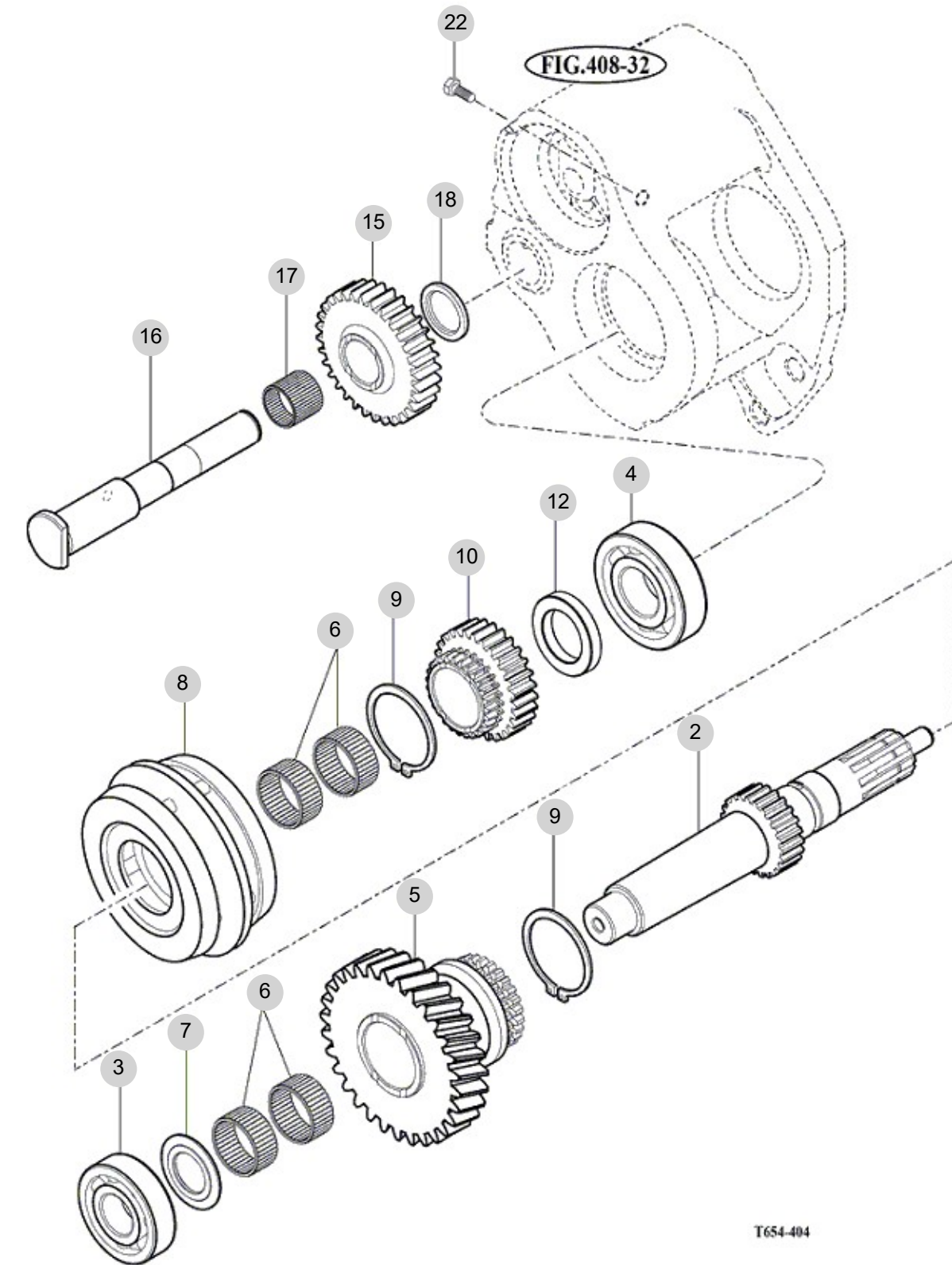
NOTE

FIG 404

REVERSE GEARS

년/월
Year/Month

2022-12



T654-404

NOTE

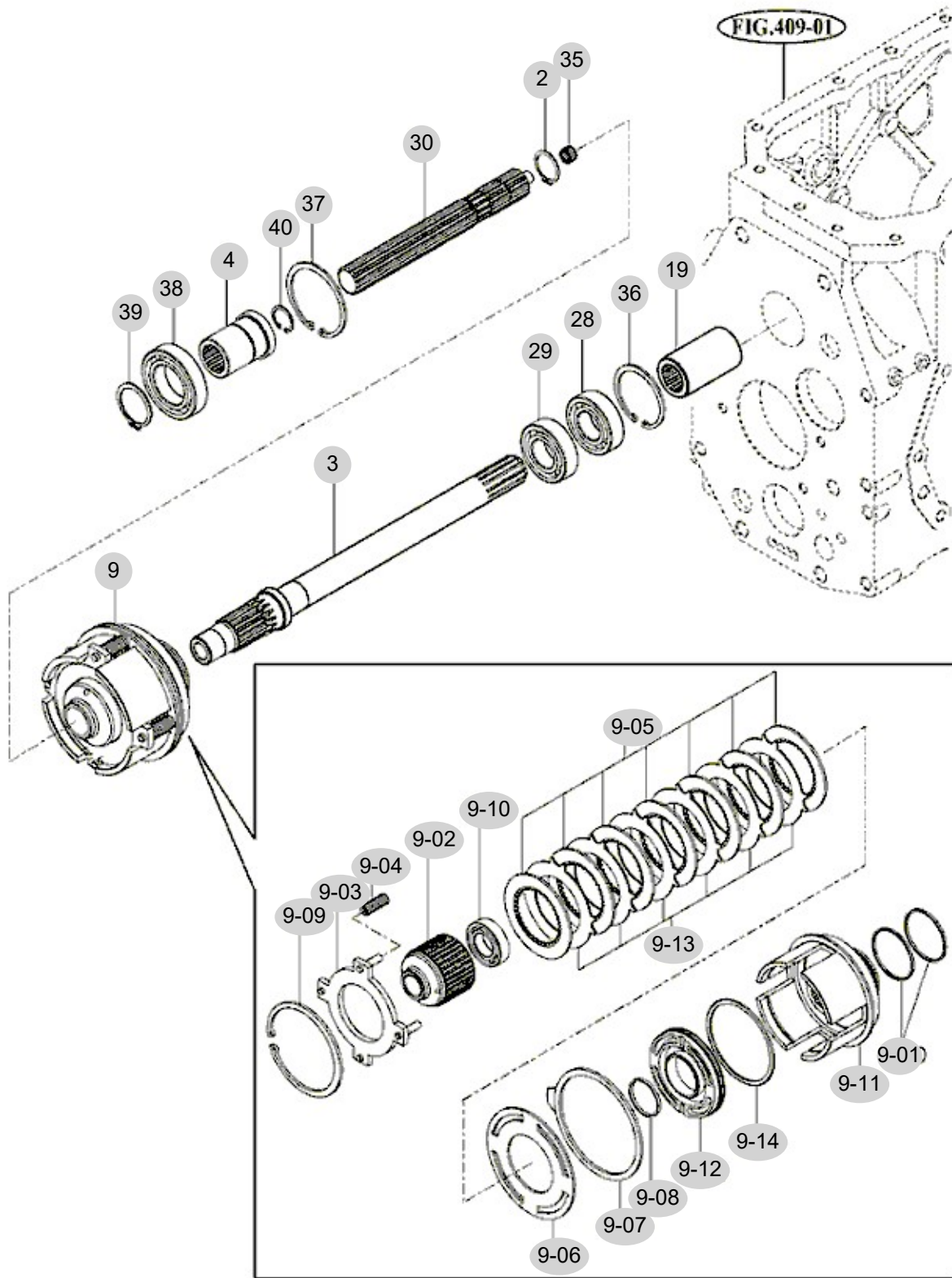
FIG 405

T654SMEUA

P.T.O DRIVE SHAFT

년/월
Year/Month

2022-12



T543/T603-E-405A

NOTE

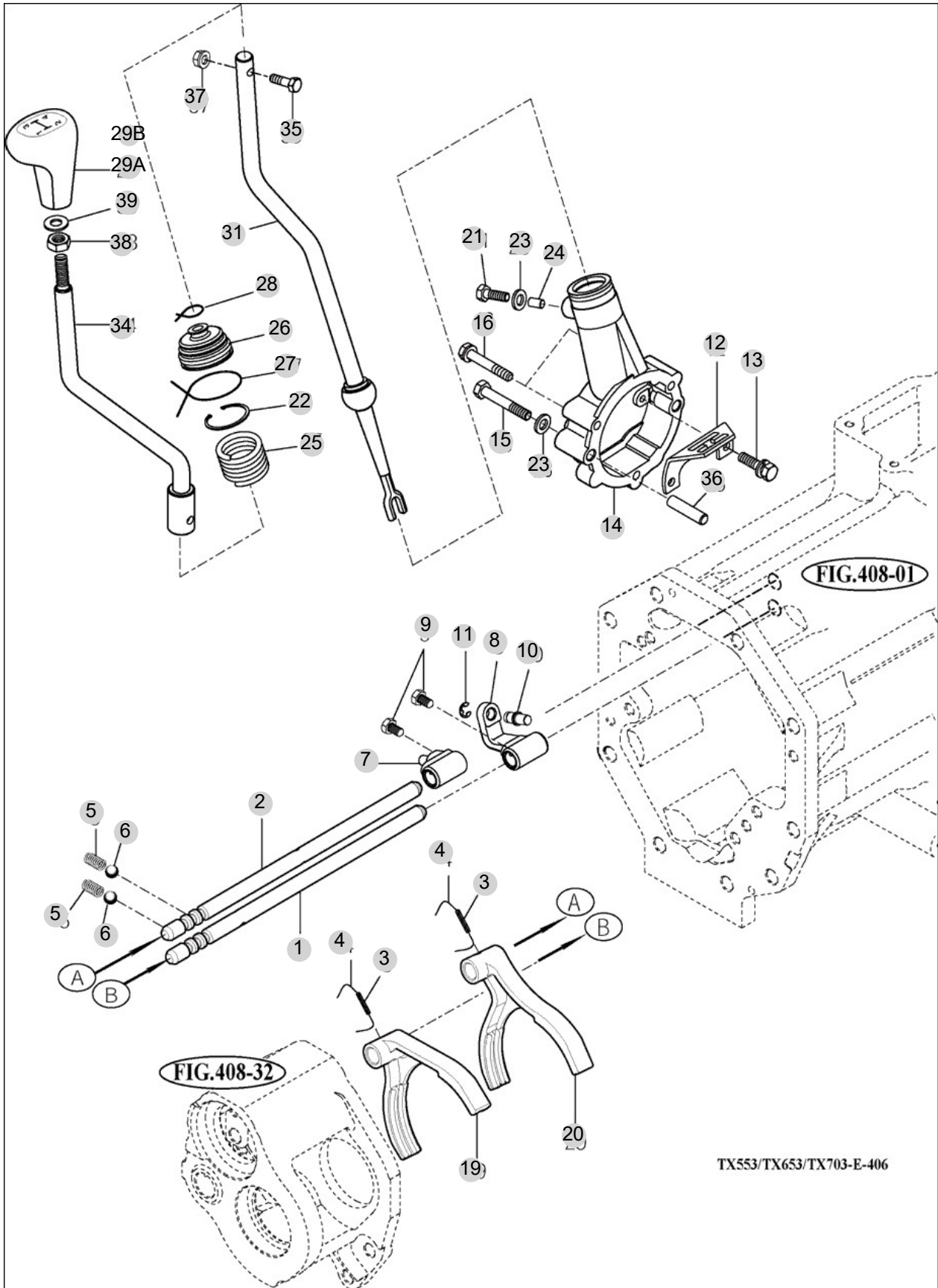
FIG 406

MAIN CHANGE LEVER

년/월
Year/Month

2022-12

T654SMEUA



TX553/TX653/TX703-E-406

NOTE

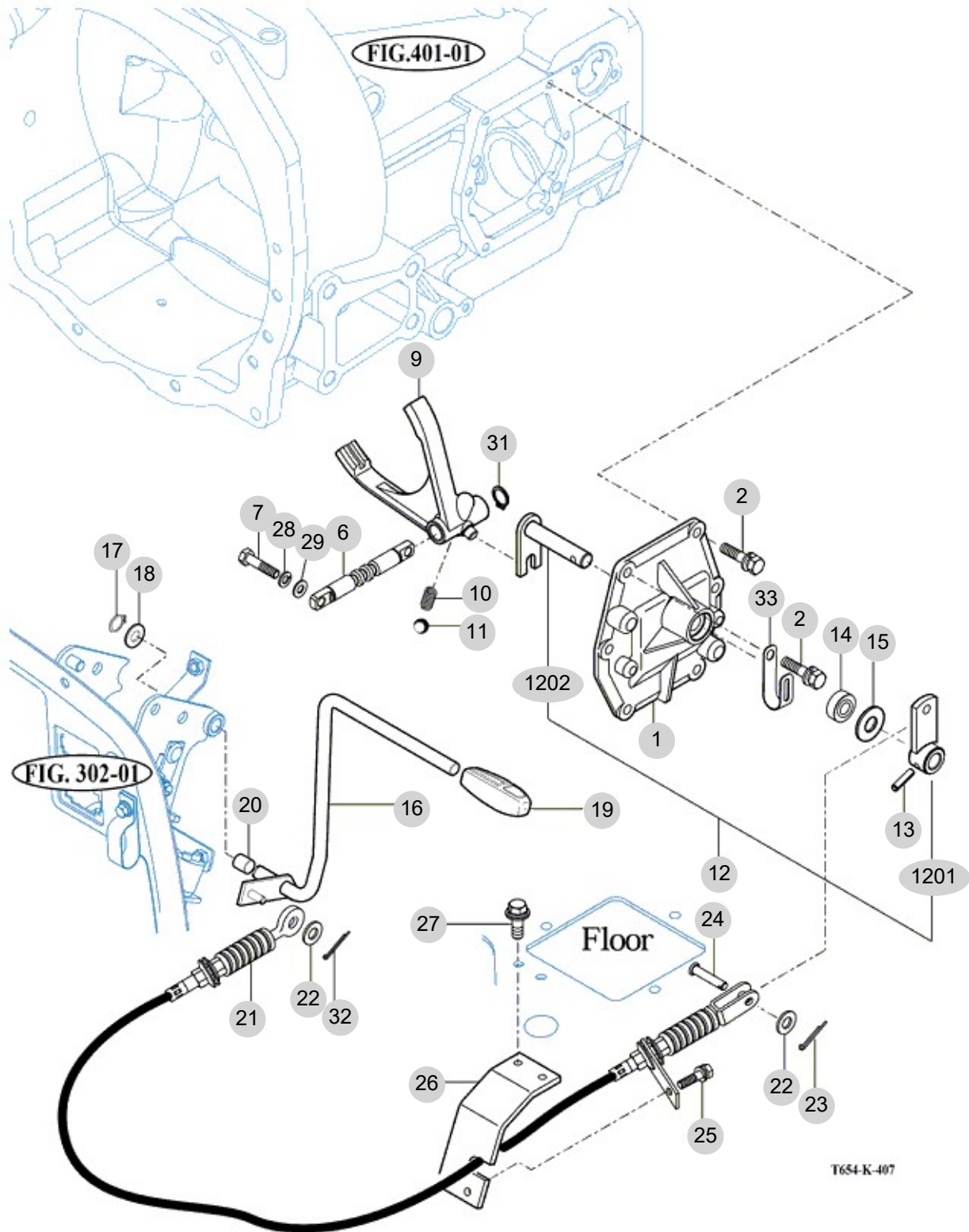
FIG 407

T654SMEUA

REVERSE CHANGE LEVER

년/월
Year/Month

2022-12



T654-K-407

NOTE

<p>FIG 407 T654SMEUA</p>	<p>REVERSE CHANGE LEVER</p>	<p>년/월 Year/Month 2022-12</p>
--	------------------------------------	--

KEY NO	PART NO	DESCRIPTION	SPEC	QTY	REPAIR	EFFECTIVE DATE	REMARKS
407	1	15602250015M	METAL , SHIFTER REVERSE		1		
407	2	V2183608020	BOLT , HEX/SP	M8X20	6		
407	6	15602250025	STAY , SHIFTER REVERSE		1		
407	7	14151210090	BOLT , REAMER	육각 B=12	2		
407	9	17972250090M	FORK , SHIFTER/REVERSE	12.8X13.3X5.5	1		
407	10	13022250030	SPRING , SHIFTER	D=1.4	1		
407	11	V6802000010	BALL , STEEL	5/16	1		
407	12	15602252200	ARM SET , REVERSE		1		
407	1201	15602252300	ARM COMP	1X1X1	1		
407	1202	15602232002	HOOK COMP		1		
407	13	V5111006036	PIN , TAPER SPLIT	6X36	1		
407	14	V7441142508	SEAL , OIL/D	D14258	1		
407	15	13667012020	WASHER	32X14X2.3	1		
407	16	17332832000GB	LEVER COMP,SHUTTLE	250*300*150	1		
407	17	V7041400140	C-RING , SHAFT	14	1		
407	18	14276010030	WASHER , 15X24X2	T=1.6	2		
407	19	14521170040	GRIP,REVERSE	1X1X1	1		
407	20	36461020111	BUSH , 14X16X20		1		
407	21	19992842001	CABLE ASSY , REVERSE		1		
407	22	V4111600080	WASHER , PLAIN	M8	2		
407	23	V5001920020	PIN , SPLIT	2X20	1		
407	24	14322420010	PIN	D=8	1		
407	25	V2173608016	BOLT , HEX/S	M8X16	1		
407	26	17972840010GB	PLATE C	1X1X1	1		
407	27	V2183608016	BOLT , HEX/SP	M8X16	2		
407	28	V4011600080	WASHER , SPRING	M8	2		
407	29	V4111600080	WASHER , PLAIN	M8	2		
407	31	V7041400140	C-RING , SHAFT	14	2		
407	32	V5001920020	PIN , SPLIT	2X20	1		
407	33	14256210040	CLAMP , 9		1		

NOTE

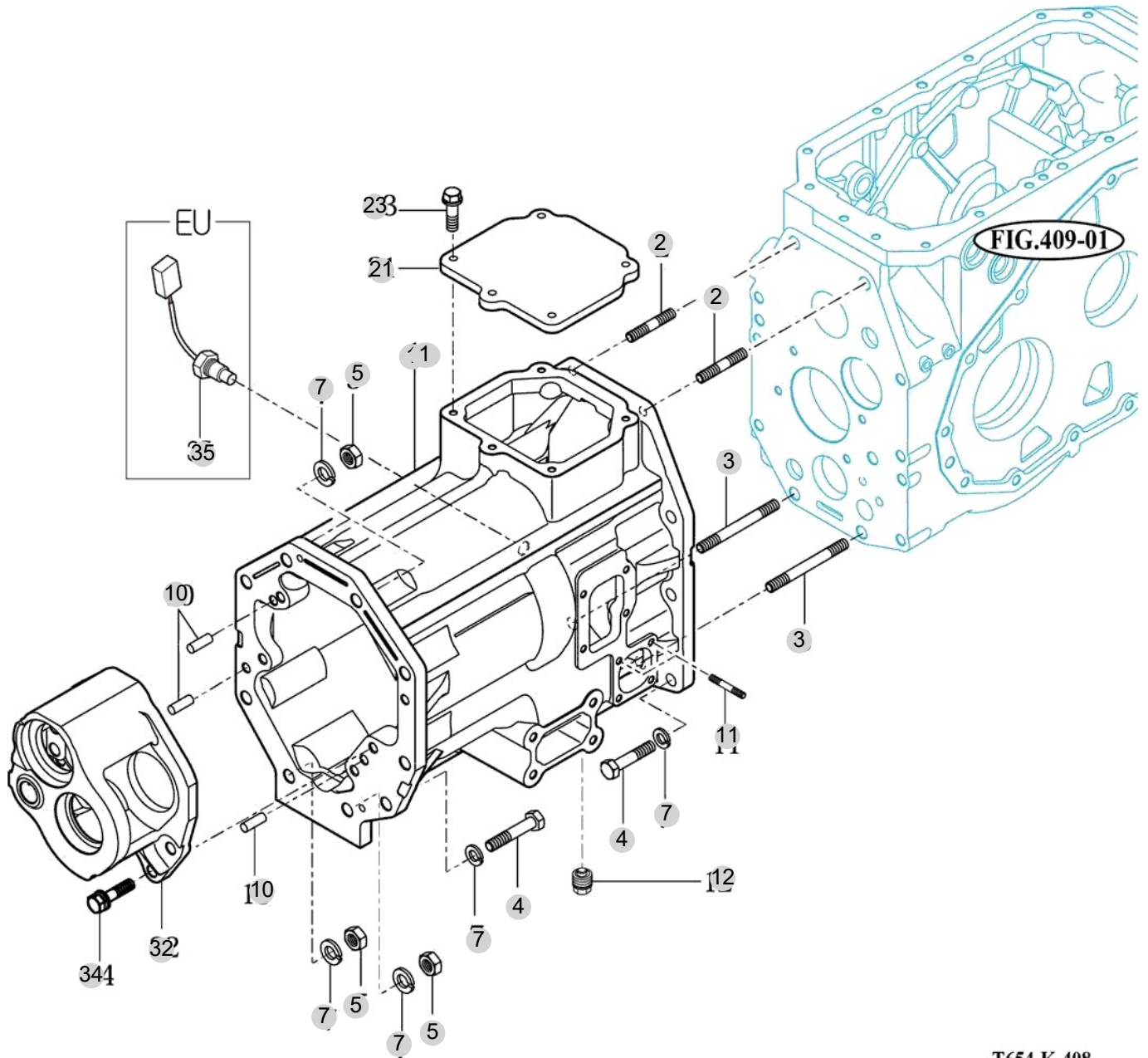
FIG 408

T654SMEUA

TRANSMISSION MID CASE

년/월
Year/Month

2022-12



T654-K-408

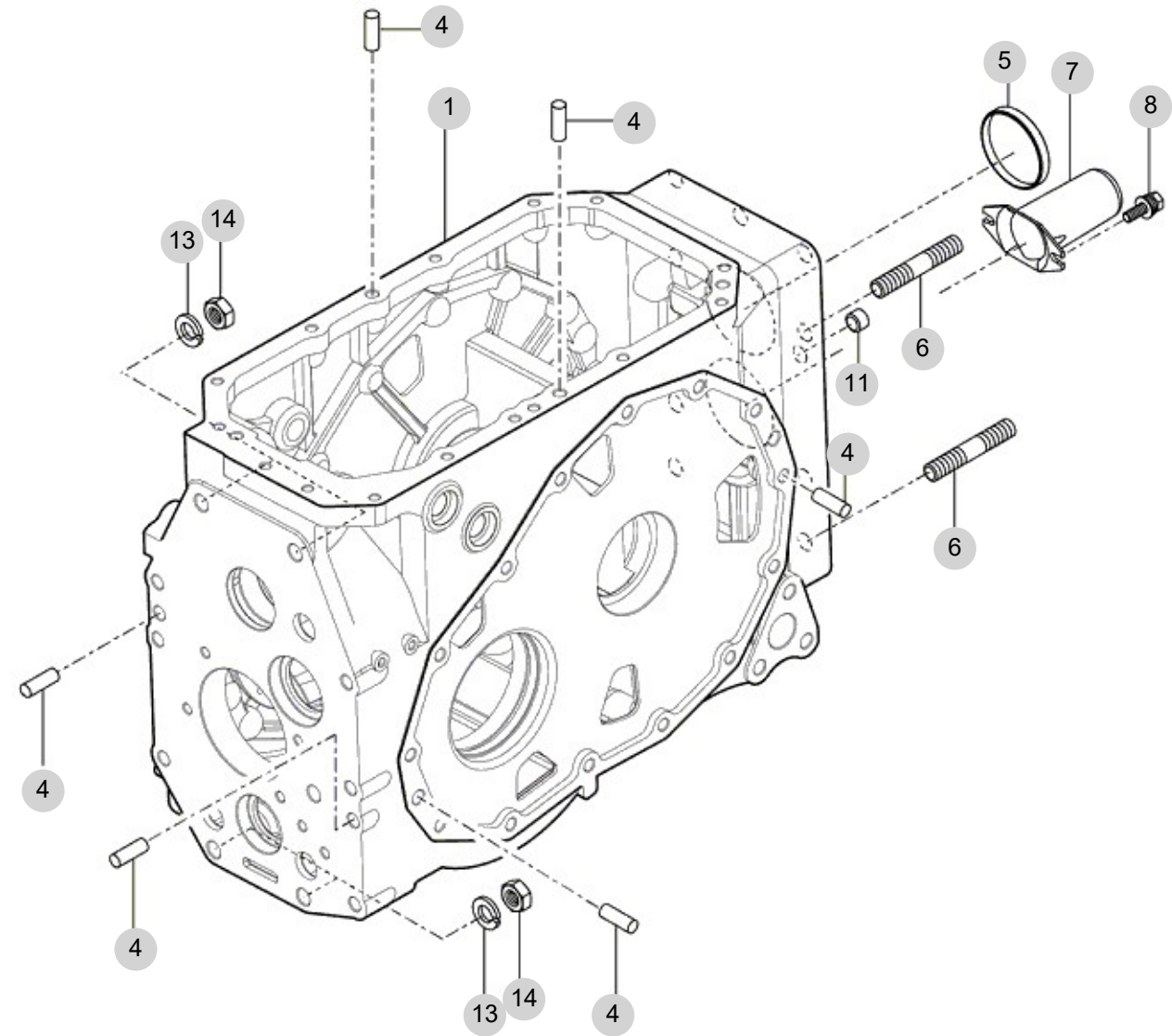
NOTE

FIG 409

TRANSMISSION REAR CASE

년/월
Year/Month

2022-12



TX553/653/703-E-409

NOTE

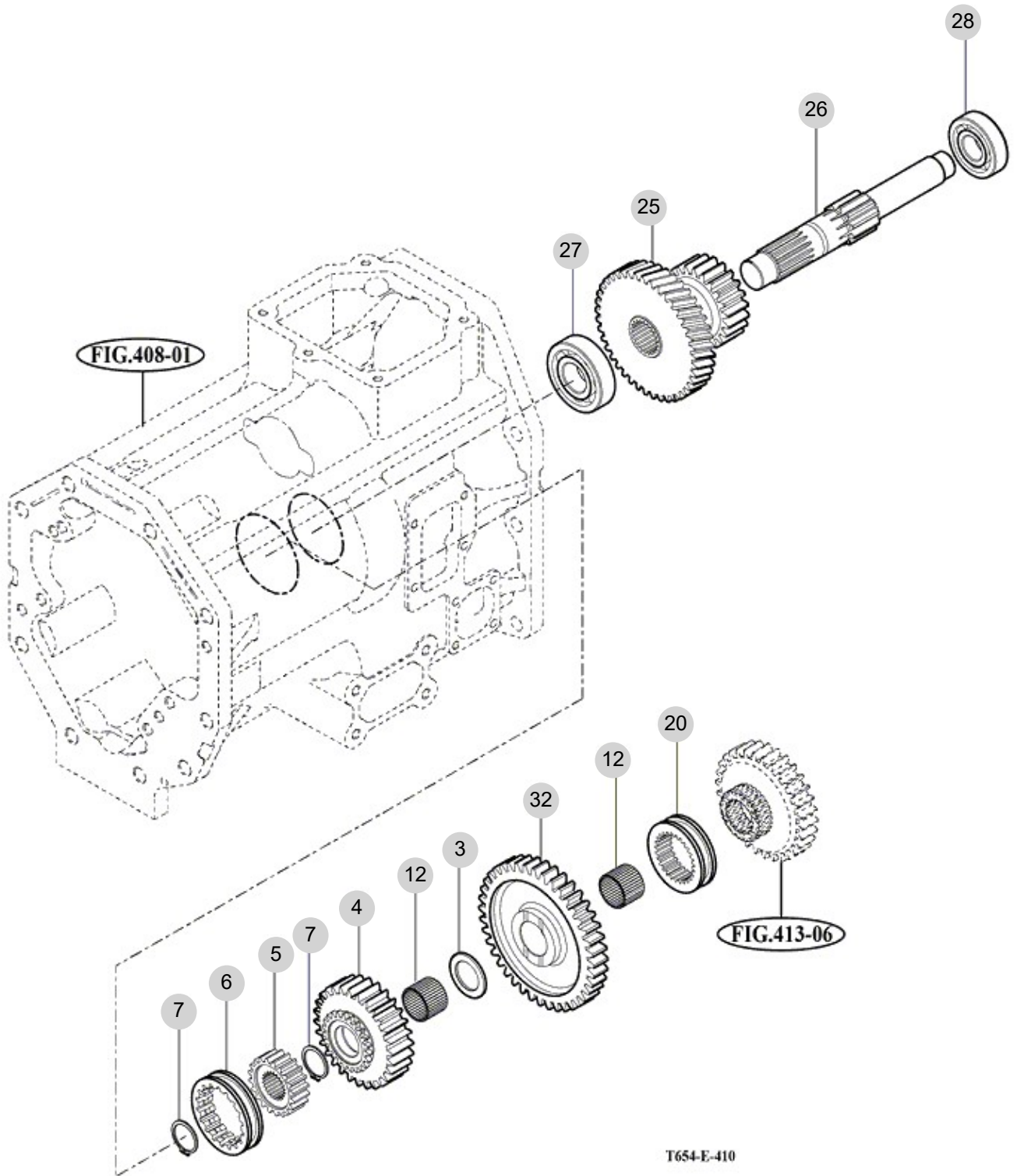
FIG 410

SUB CHANGE GEARS

년/월
Year/Month

2022-12

T654SMEUA



T654-E-410

NOTE

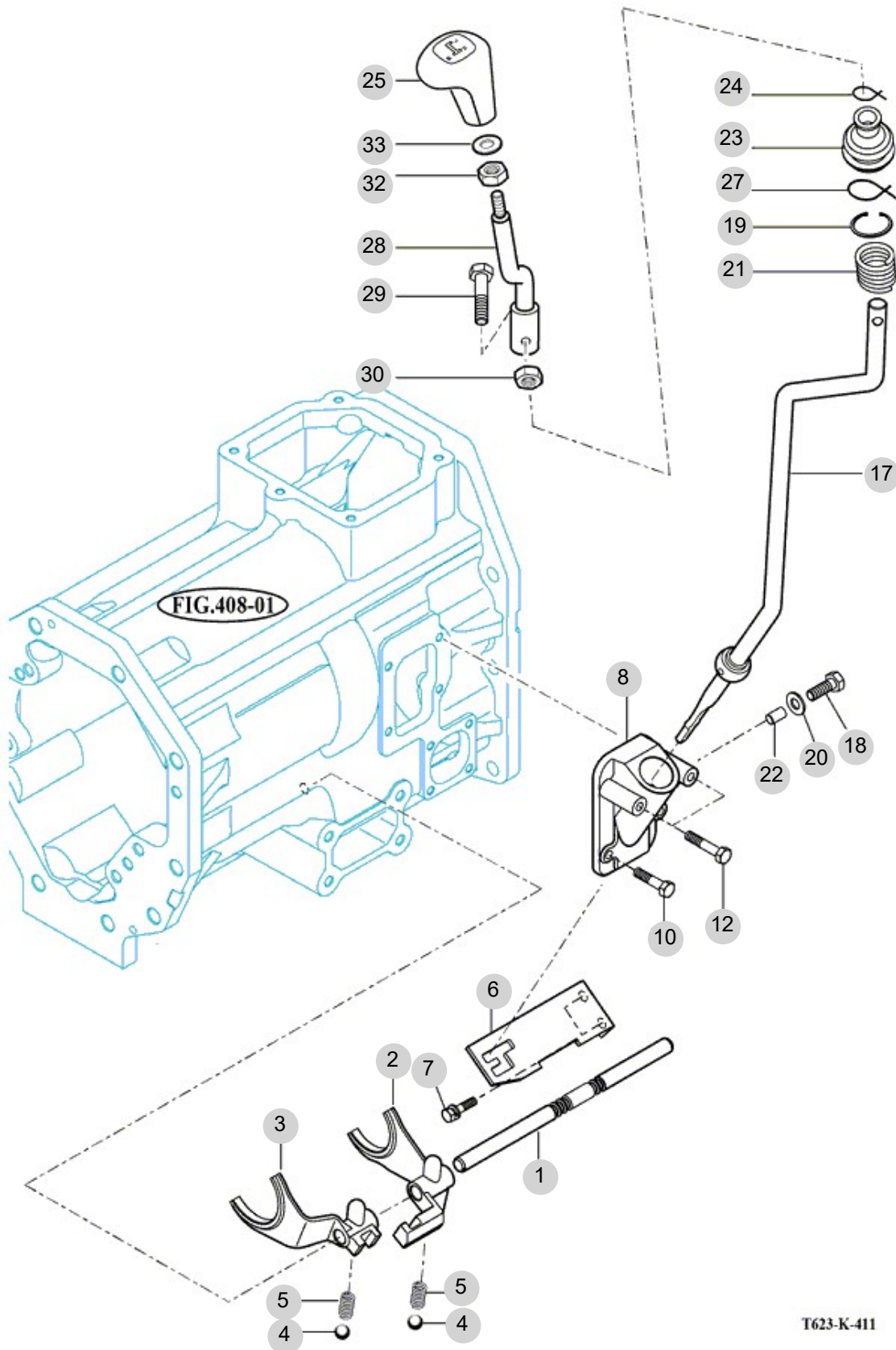
FIG 411

SUB CHANGE SHIFTER

년/월
Year/Month

2022-12

T654SMEUA



T623-K-411

NOTE

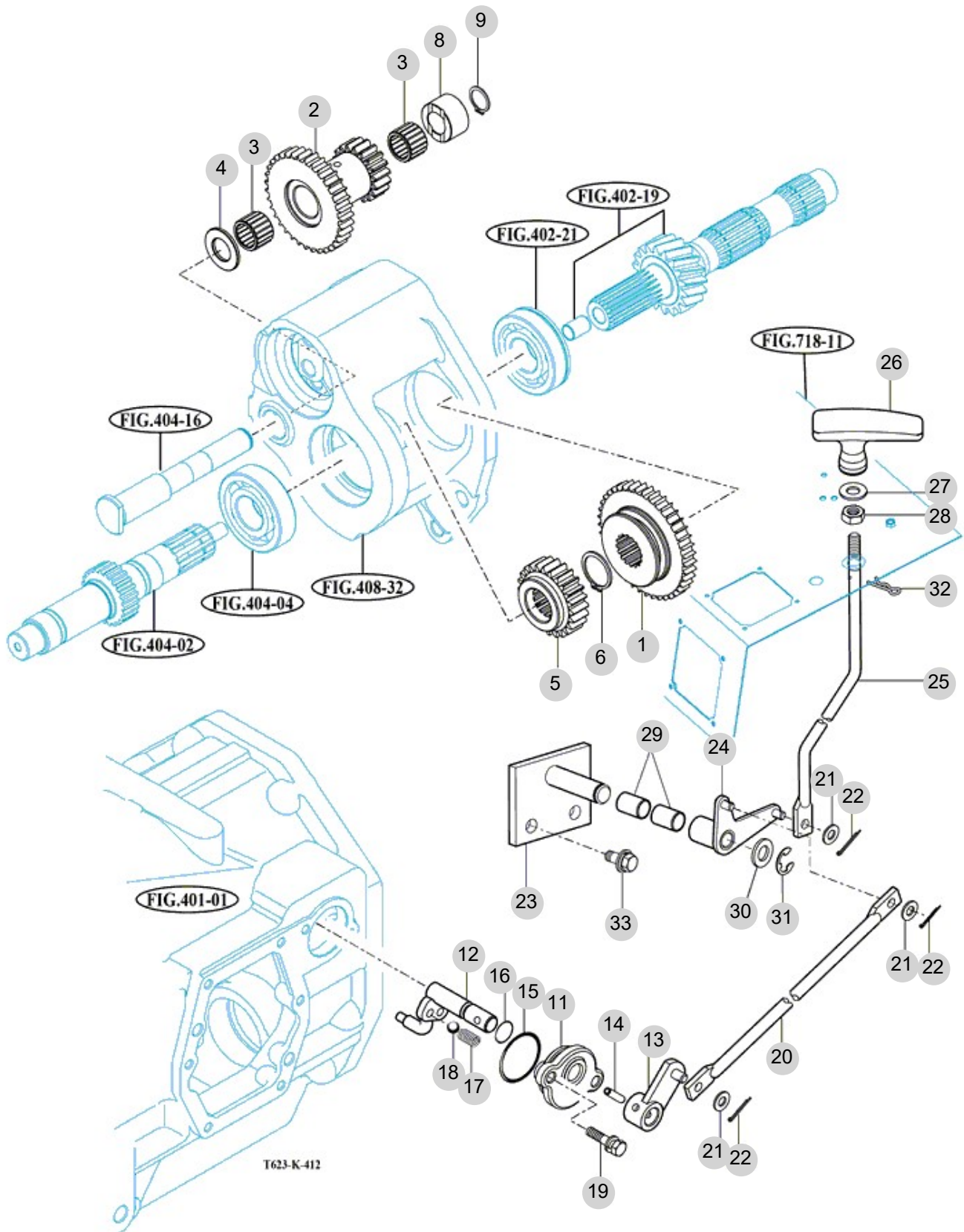
FIG 412

CREEP CHANGE

년/월
Year/Month

2022-12

T654SMEUA



NOTE

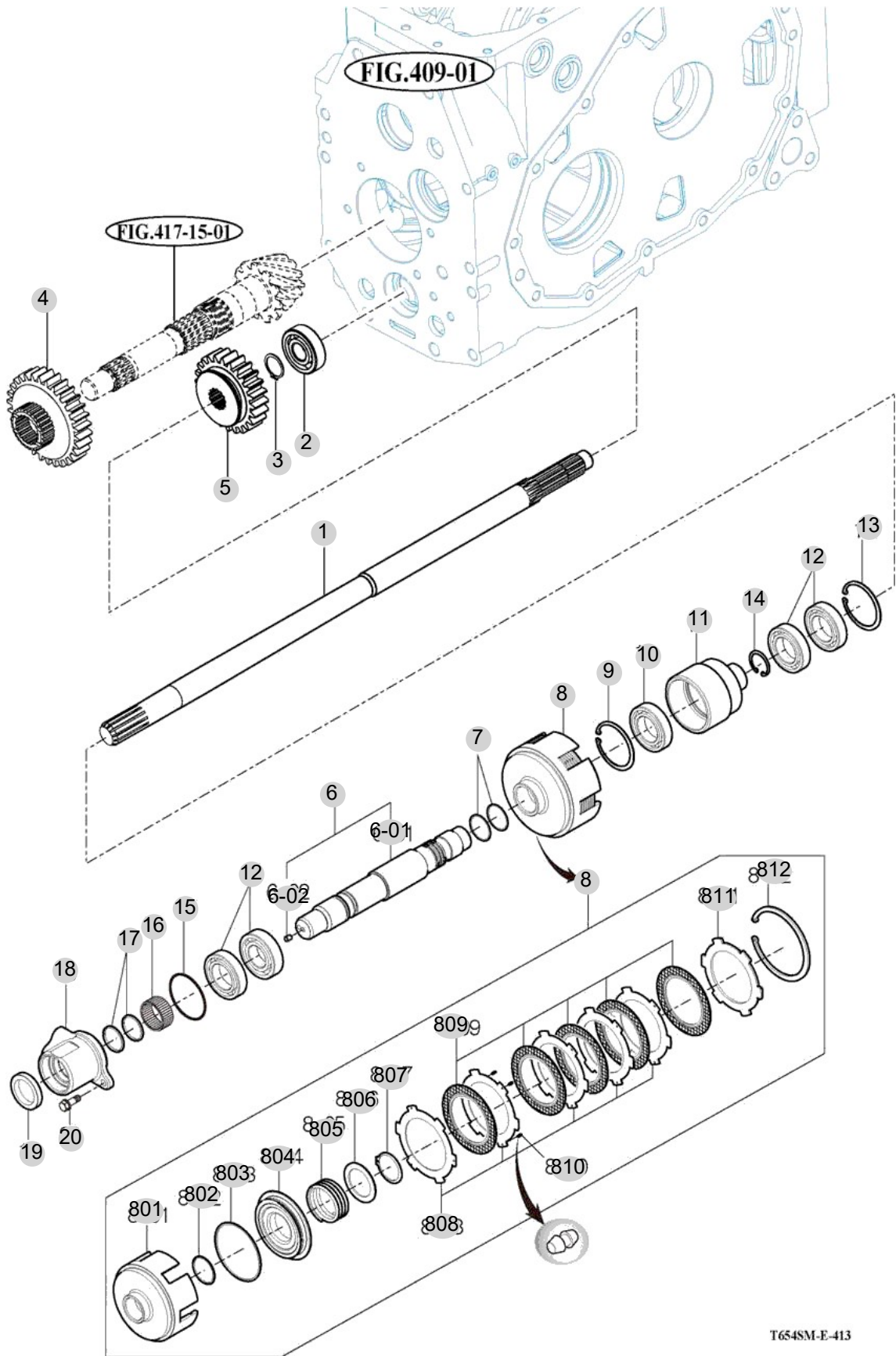
FIG 413-2

T654SMEUA

DRIVE GEARS

년/월
Year/Month

2022-12



T654SM-E-413

NOTE

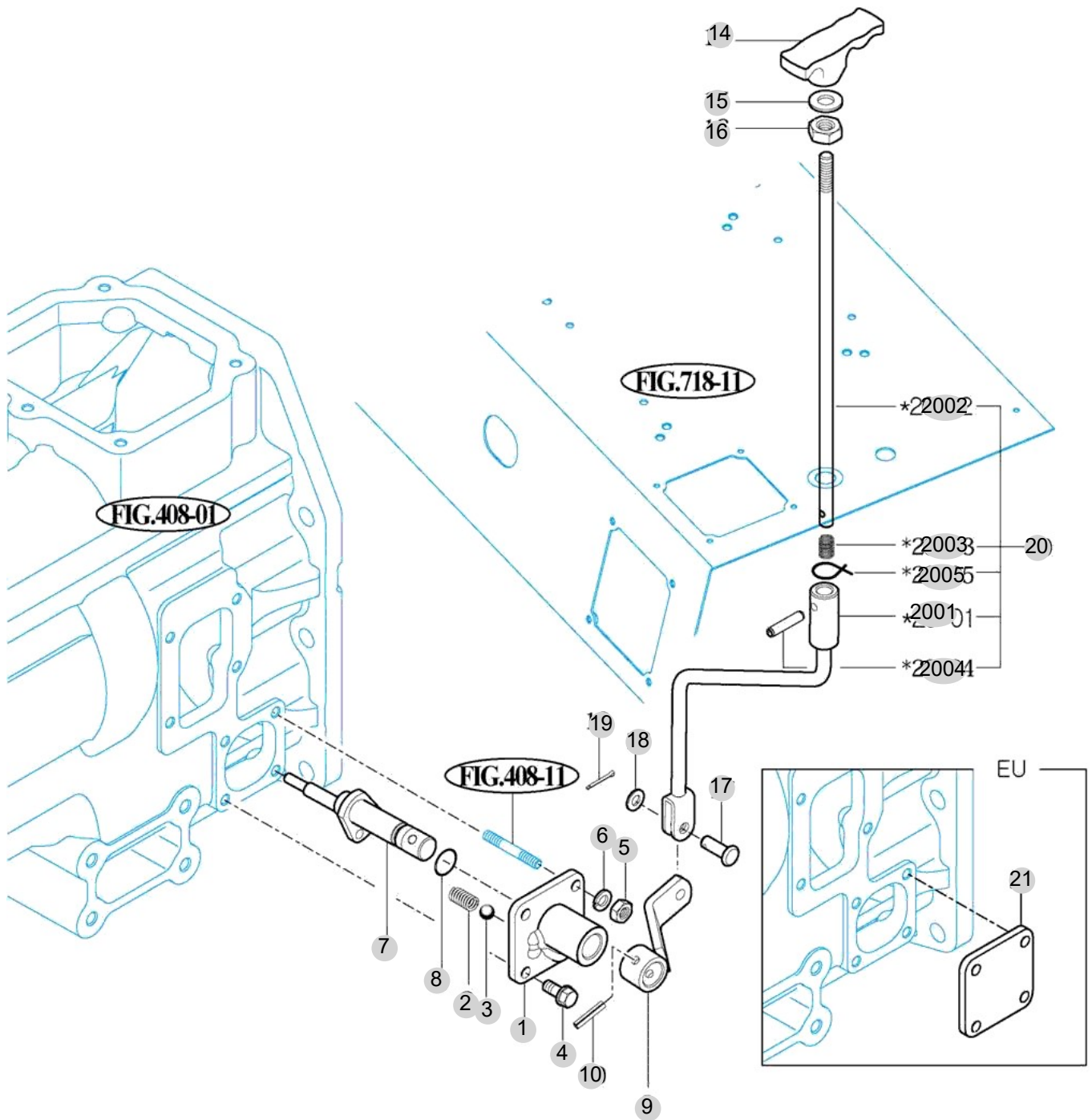
FIG 414

4WD CHANGE LEVER

년/월
Year/Month

2022-12

T654SMEUA



T623-K-414

*NOT SERVICED SEPARATELY

NOTE

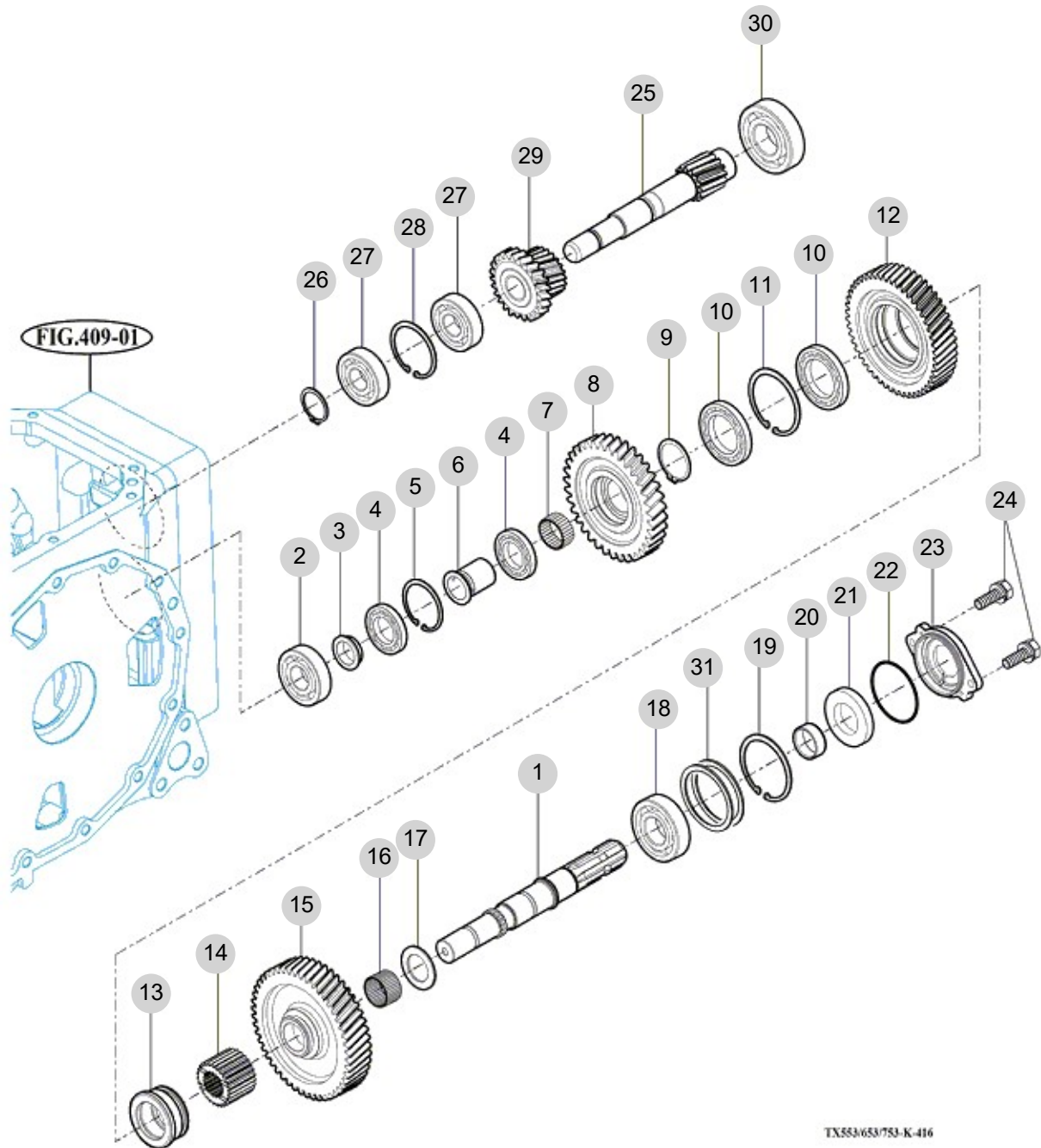
FIG 415

T654SMEUA

P.T.O CHANGE GEARS

년/월
Year/Month

2022-12



NOTE

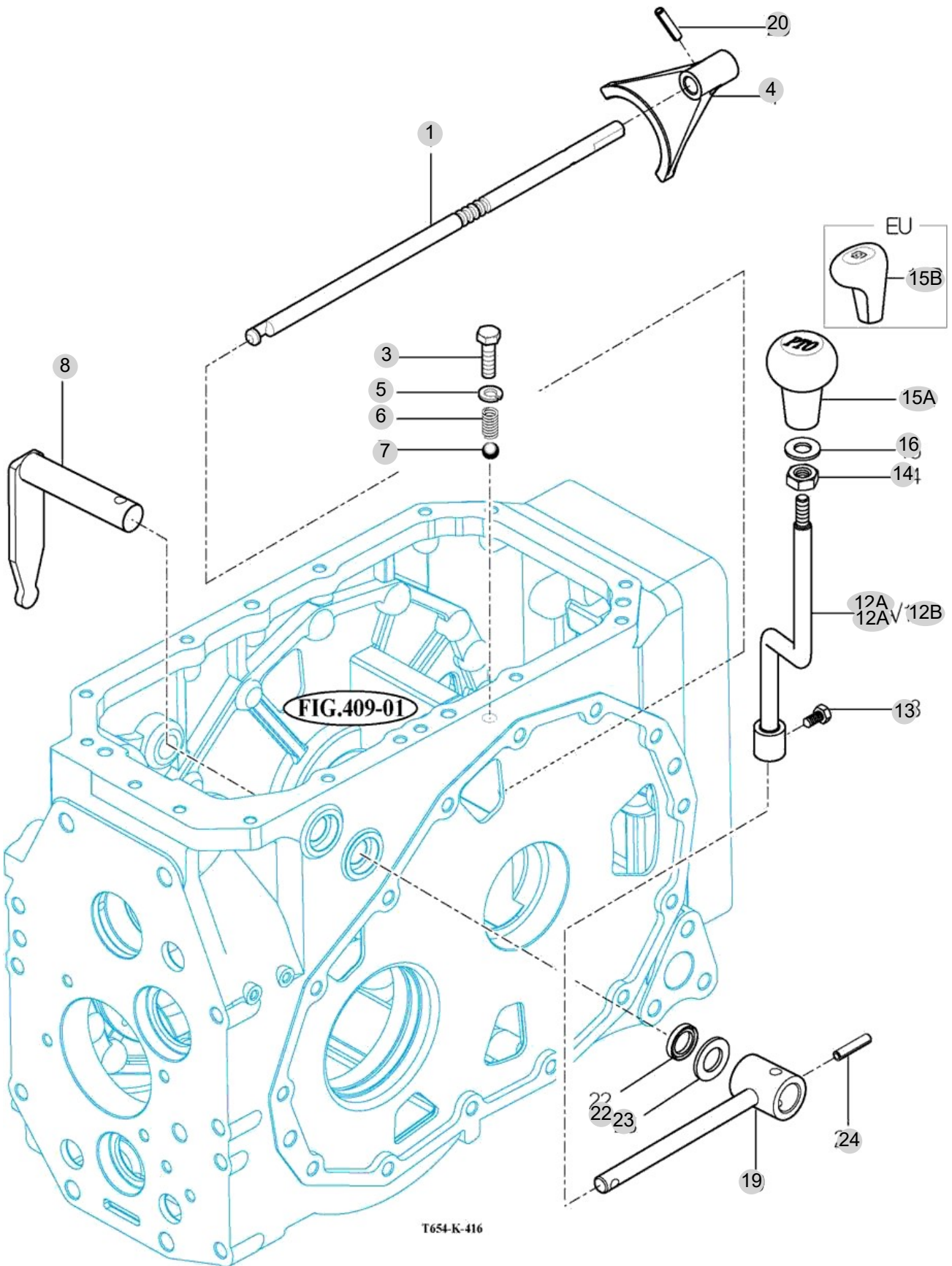
FIG 416

P.T.O CHANGE SHIFTER

년/월
Year/Month

2022-12

T654SMEUA



NOTE

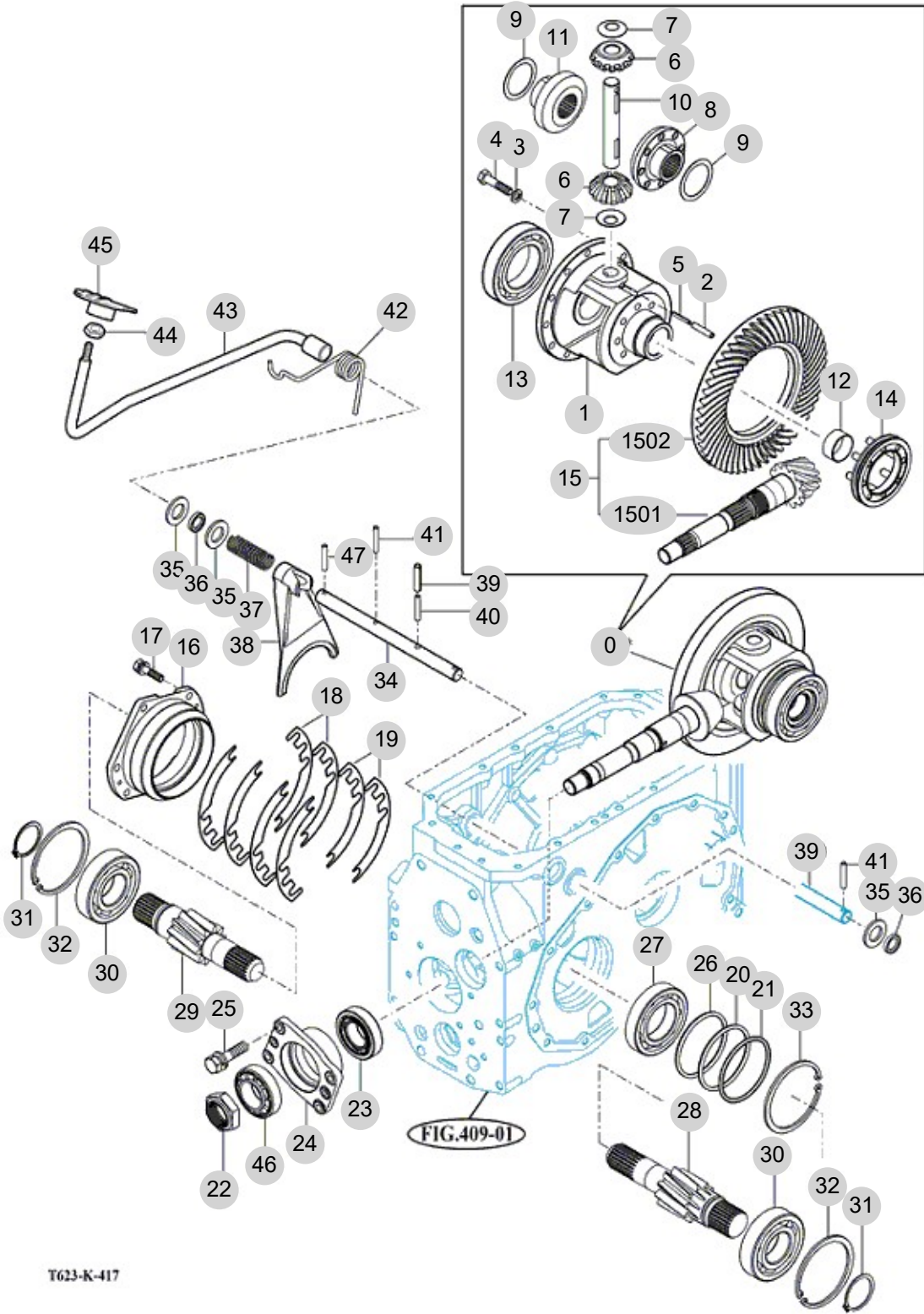
FIG 417

REAR DIFFERENTIAL GEARS

년/월
Year/Month

2022-12

T654SMEUA



T623-K-417

NOTE

FIG 417 T654SMEUA		REAR DIFFERENTIAL GEARS					년/월 Year/Month	
							2022-12	
KEY NO	PART NO	DESCRIPTION	SPEC	QTY	REPAIR	EFFECTIVE DATE	REMARKS	
417	0	19963031000	DIFF SET , RR T553	1X1X1	1			
417	1	17973030011M	CASE , DIFF		1			
417	2	V5801408040	PIN , SPRING	8X50	1			
417	3	V4011600100	WASHER , SPRING	M10	12			
417	4	V2024610025	BOLT , HEX FINE	M10X25	12			
417	5	V5801405036	PIN , SPRING	5X36	1			
417	6	17973030060	PINION , DIFF 10	1X1X1	2			
417	7	17973030070	COLLAR , PINION	T=1	2			
417	8	17973030091	GEAR , BEVEL 16LH	1X1X1	1			
417	9	17973030100	COLLAR , THRUST	T=1	2			
417	10	17973030110	SHAFT , DIFF PINION	1X1X1	1			
417	11	17973030121	GEAR , BEVEL 16RH	1X1X1	1			
417	12	17973030030	BUSH , 40X44X20	404420	1			
417	13	V6001106214	BEARING , BALL	6214	1			
417	14	17973033400	SLEEVE COMP	1X1X1	1			
417	15	19963022100	GEAR SET , 11-48T		1			
417	1501	19963022110	PINION , BEVEL 11T	1X1X1	1			
417	1502	17973022120	GEAR , BEVEL 48T	1X1X1	1			
417	16	17973030131M	METAL , DIFF		1			
417	17	V2173610030	BOLT , HEX/S	M10X30	6			
417	18	17973030160	SHIM , 0.2	T=0.2	8			
417	19	17973030150	SHIM , 0.1	1X1X1	2			
417	20	17973030201	SHIM , 95X109.8X1.5	T=1.5	1			
417	21	14523010050	SHIM , 0.1	T=0.1	1			
417	22	17973030020	NUT , M40 P1,5	육각B=55	1			
417	23	V6321132208	BEARING , TAPER-ROLLER		1			
417	24	15703010040M	METAL , PINION		1			
417	25	V2173610035	BOLT , HEX/S	M10X35	4			
417	26	14523010100	SHIM , 0.2	T=0.2	1			
417	27	V6001106212	BEARING , BALL	6212	1			
417	28	19963030280	PINION , LH WHEEL	1X1X1	1			
417	29	19963030290	PINION , RH WHEEL	1X1X1	1			
417	30	V6001106310	BEARING , BALL	6310	2			
417	31	V7041400500	C-RING , SHAFT	50	2			
417	32	V7051401100	C-RING , HOLE	110	2			
417	33	V7051401100	C-RING , HOLE	110	1			
417	34	17973030391	SHAFT , DIFF LOCK	D=20	1			
417	35	V4111600200	WASHER , PLAIN	M20	3			
417	36	V7421203007	SEAL , OIL/G	G203006	2			
417	37	17973030420	SPRING	(D=3.6) X22.5X74.5	1			
417	38	17973030431M	FORK , DIFF		1			
417	39	V5801408036	PIN , SPRING	8X36	1			
417	40	V5801405036	PIN , SPRING	5X36	1			
417	41	V5801406032	PIN , SPRING	6X32	2			
417	42	14523160020	SPRING , DIFF PEDAL	D=5.5	1			
NOTE								

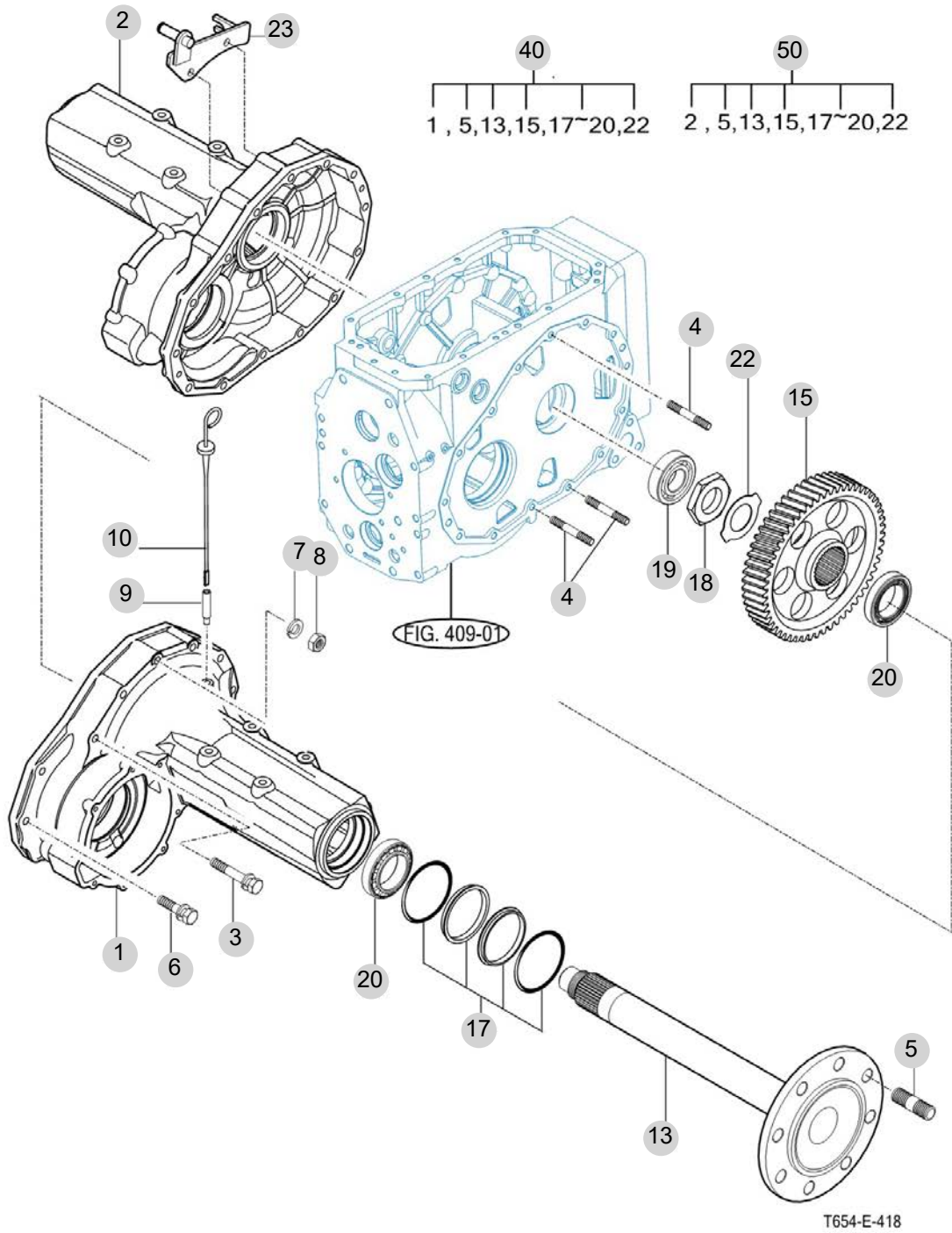
FIG 418

REAR AXLE HOUSING

년/월
Year/Month

2022-12

T654SMEUA



NOTE

5. Front Axle PART NO. T5

FIG 501 FRONT AXLE SUPPORT	143
FIG 502 FRONT DRIVE SHAFT	145
FIG 503 FRONT AXLE HOUSING	147
FIG 504 FRONT DIFFERENTIAL GEARS	149
FIG 505 FRONT GEAR CASE (1)	151
FIG 506 FRONT GEAR CASE (2)	153
FIG 507 FRONT GEAR CASE (3)	155

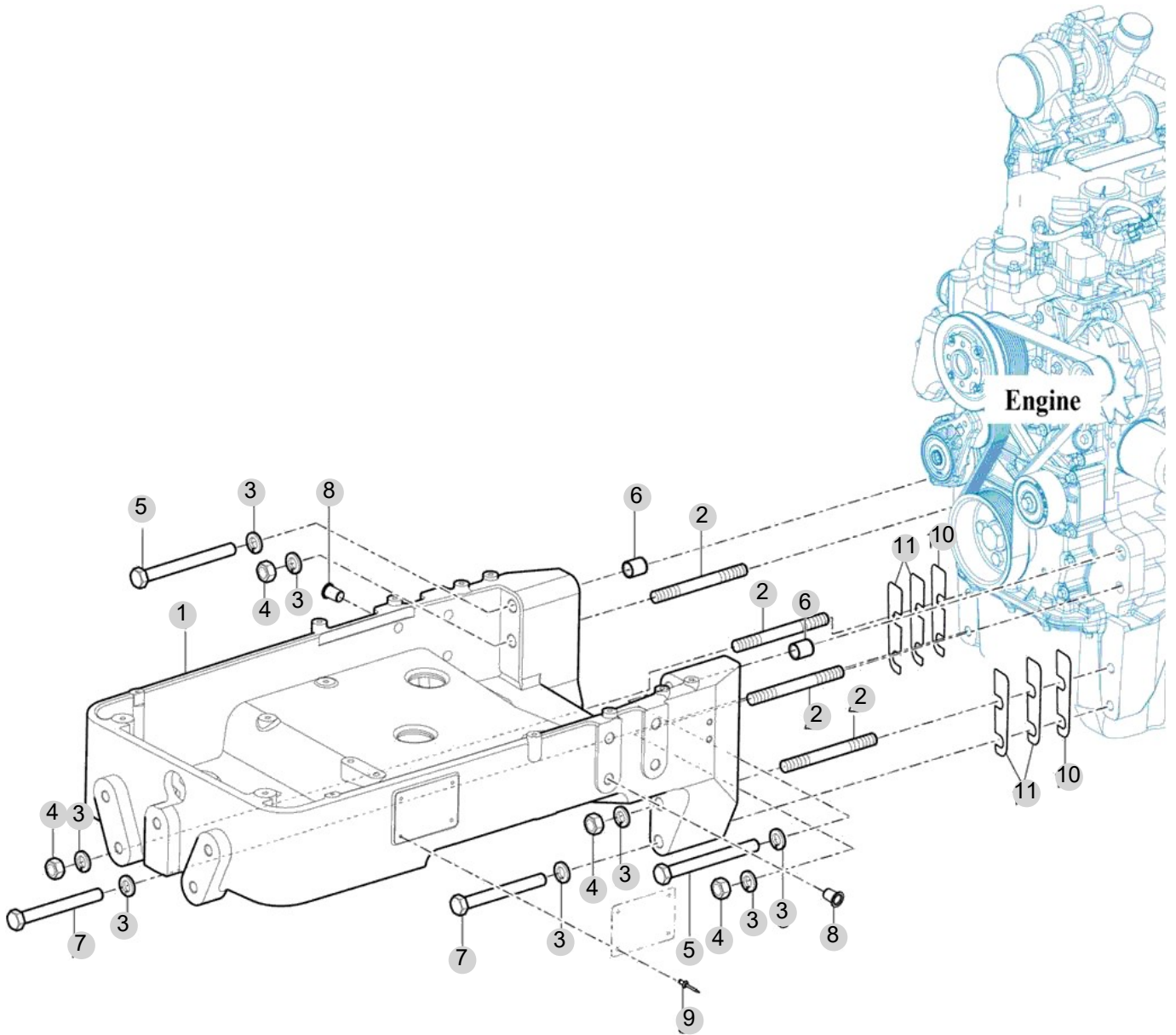
FIG 501

FRONT AXLE SUPPORT

년/월
Year/Month

2022-12

T654SMEUA



T754-K-501

NOTE

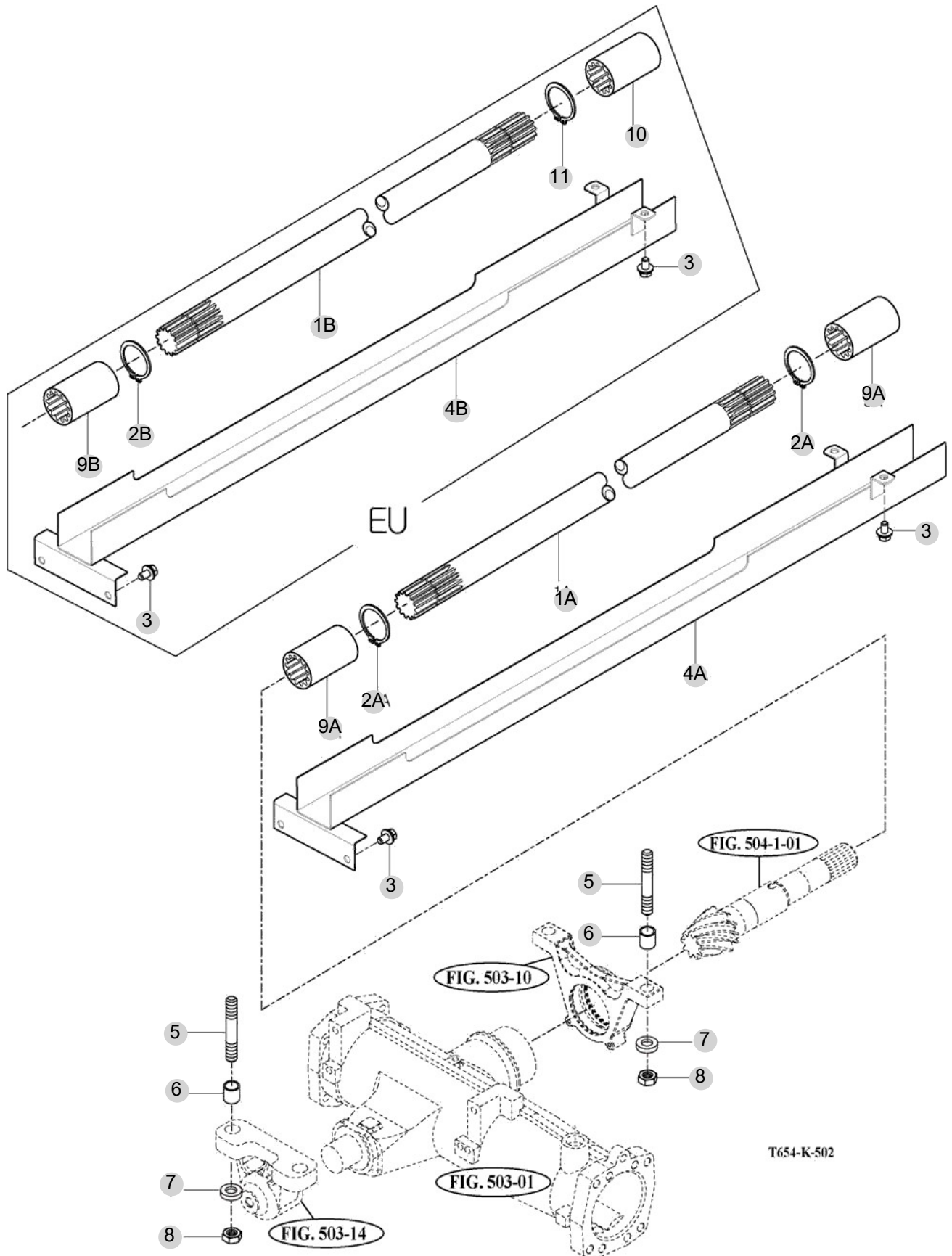
FIG 502

FRONT DRIVE SHAFT

년/월
Year/Month

2022-12

T654SMEUA



T654-K-502

NOTE

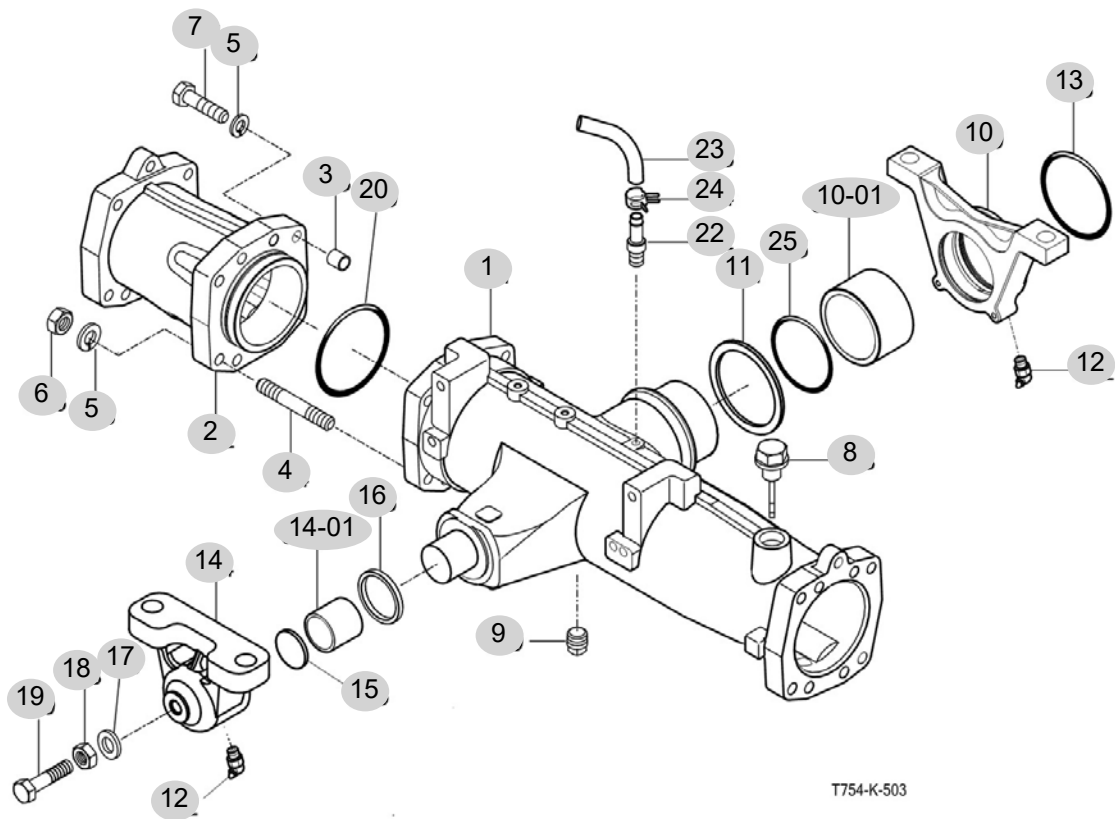
FIG 503

FRONT AXLE HOUSING

년/월
Year/Month

2022-12

T654SMEUA



T754-K-503

NOTE

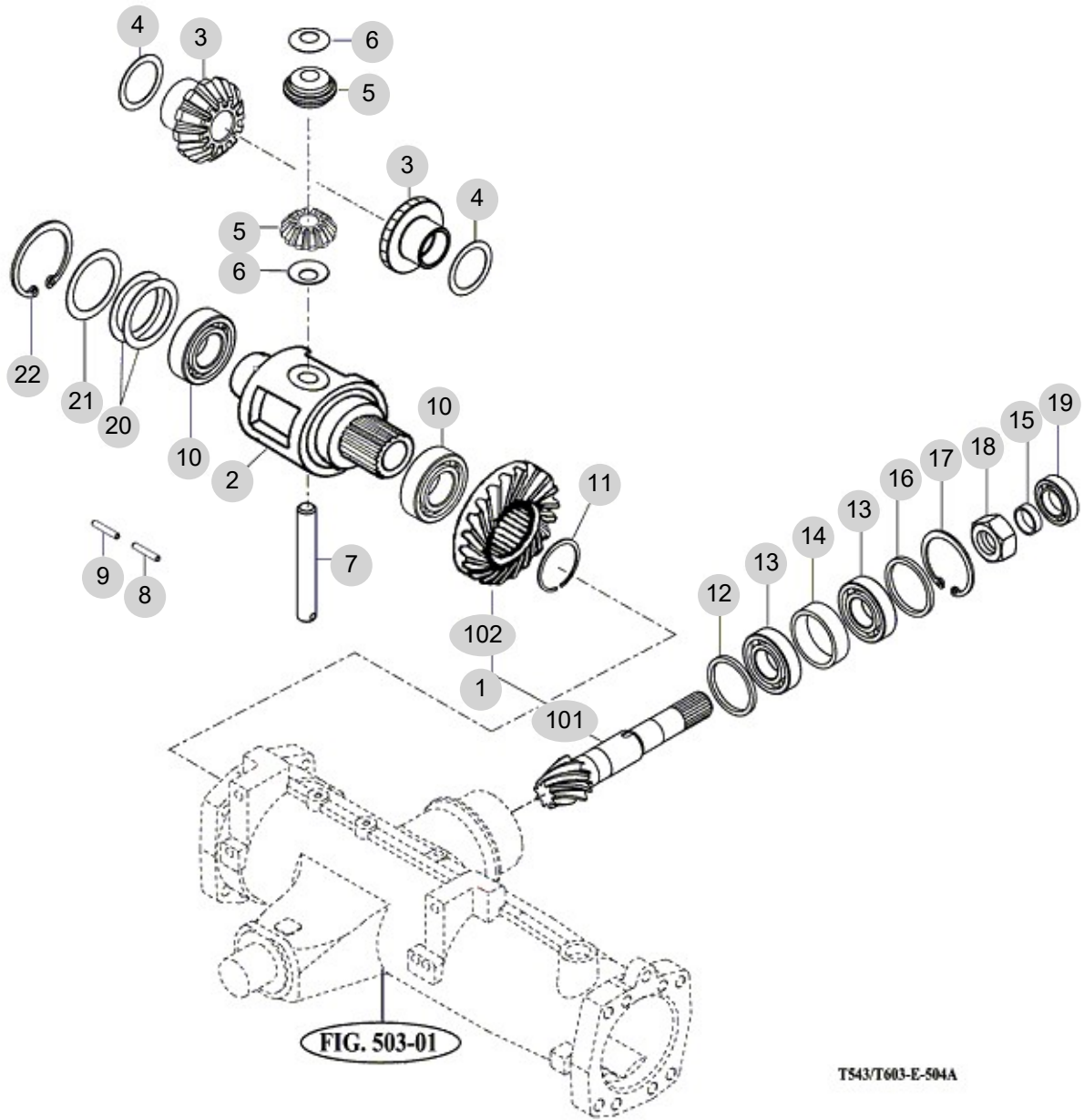
FIG 504

FRONT DIFFERENTIAL GEARS

년/월
Year/Month

2022-12

T654SMEUA



NOTE

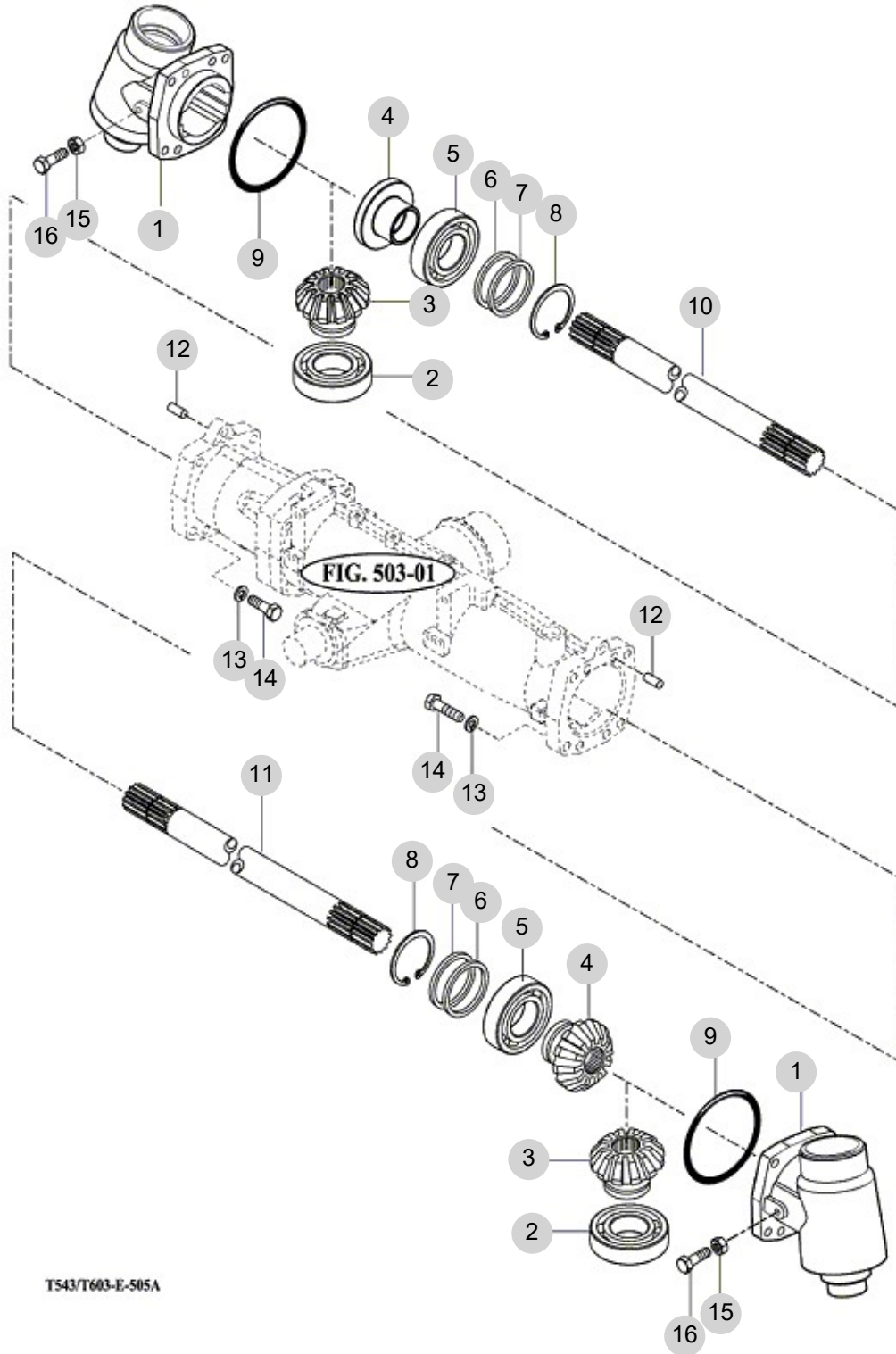
FIG 505

T654SMEUA

FRONT GEAR CASE (1)

년/월
Year/Month

2022-12



NOTE

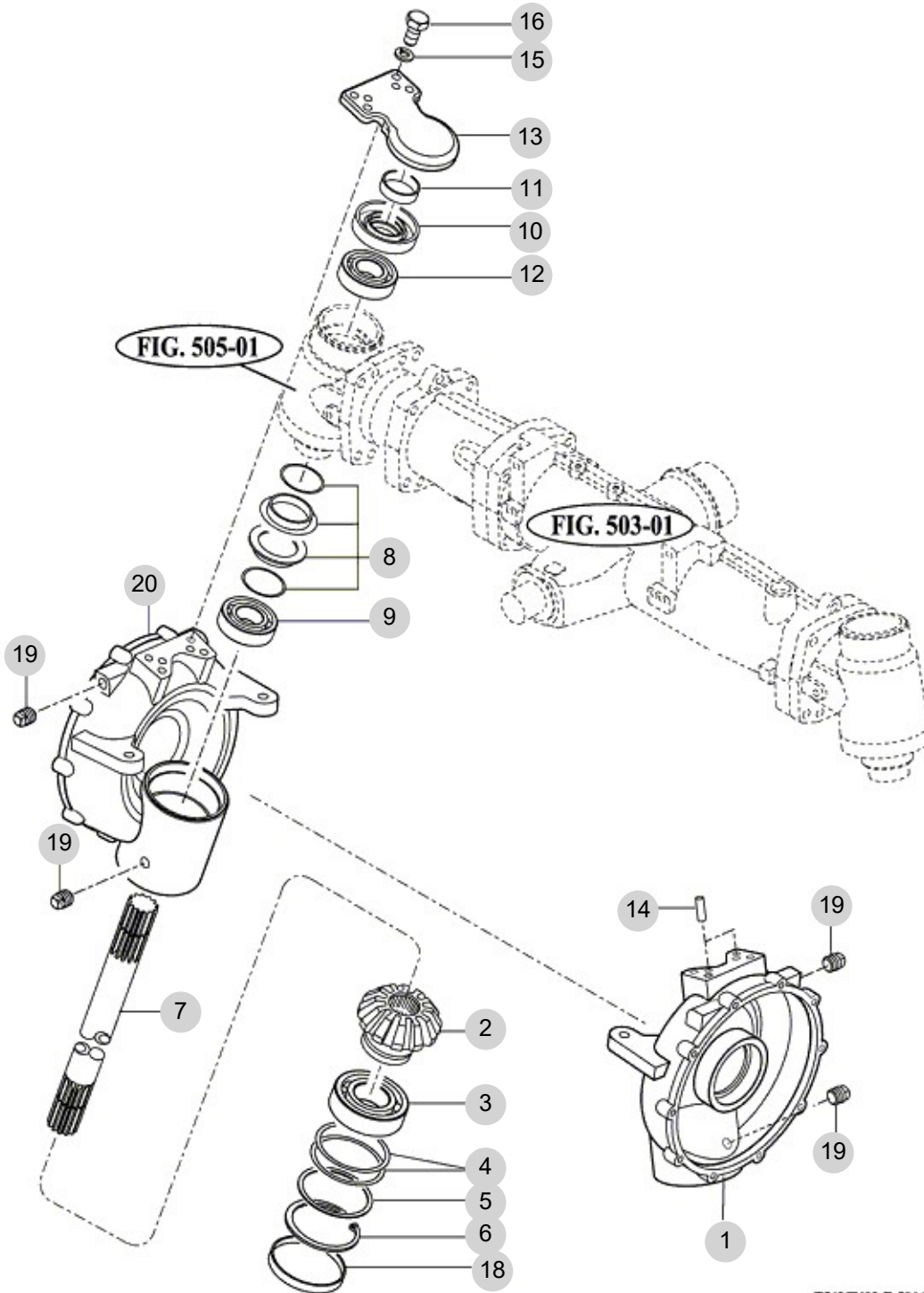
FIG 506

T654SMEUA

FRONT GEAR CASE (2)

년/월
Year/Month

2022-12



T543/T603-E-506A

NOTE

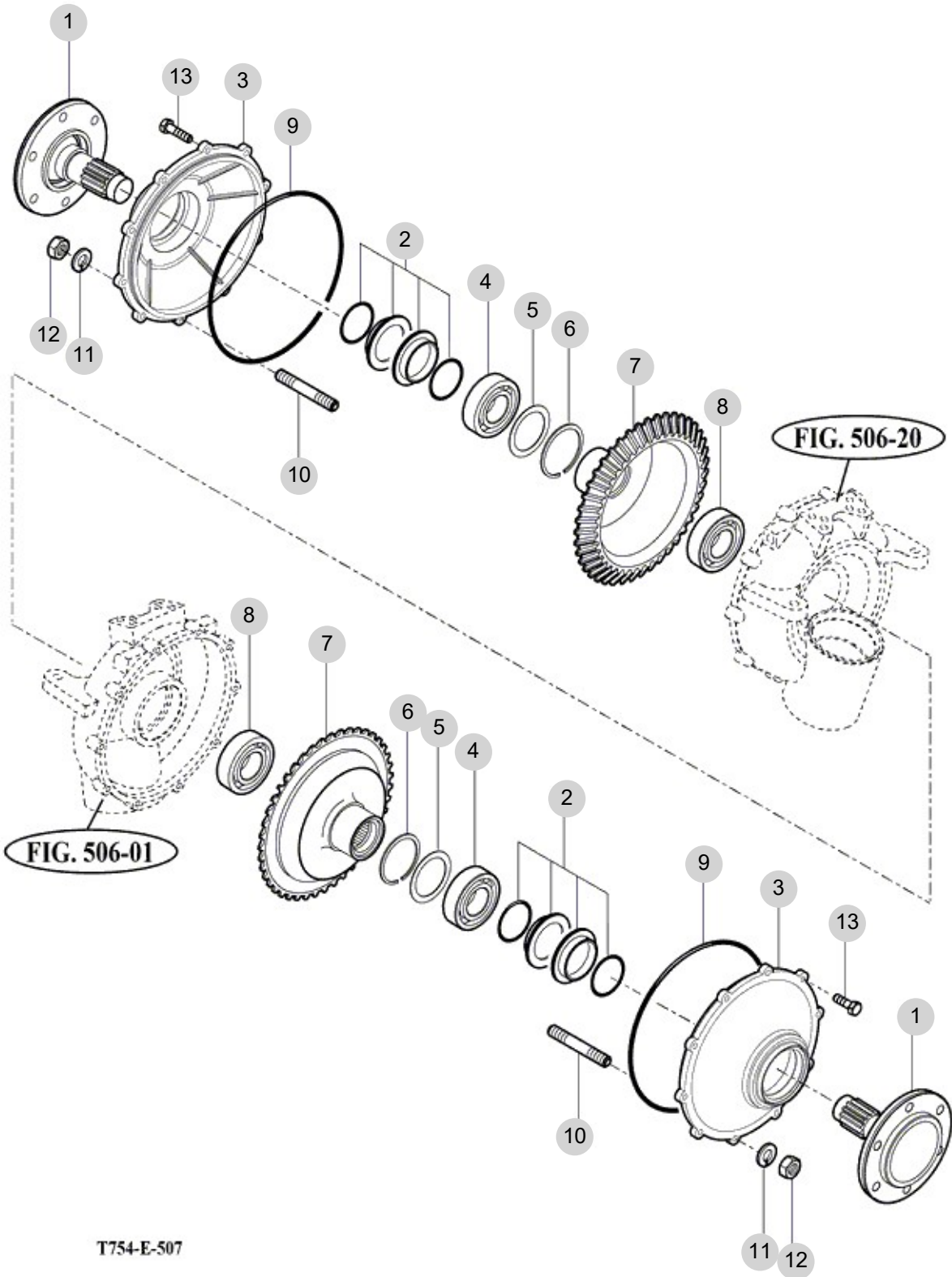
FIG 507

FRONT GEAR CASE (3)

년/월
Year/Month

2022-12

T654SMEUA



NOTE

6. Hydraulic/3P-Link PART NO. T6

FIG 601 CYLINDER CASE	158
FIG 602 LIFT ARM	160
FIG 603 CYLINDER	162
FIG 604 POSITION LINK	164
FIG 605 CONTROL VALVE	166
FIG 606 DRAFT LINK	168
FIG 607 POSITION & DRAFT LEVER	170
FIG 608 EXTERIOR HYD. VALVE(OPTION_6P)	173
FIG 608 EXTERIOR HYD. VALVE	175
FIG 609 HYDRAULIC PIPE	177
FIG 610 JOYSTICK	179
FIG 611B HITCH & 3-P LINK (EU)	181
FIG 612B LOWER LINK & LIFT ROD(EU)	184
FIG 613-2 HYDRAULIC HOSE(EU)	186

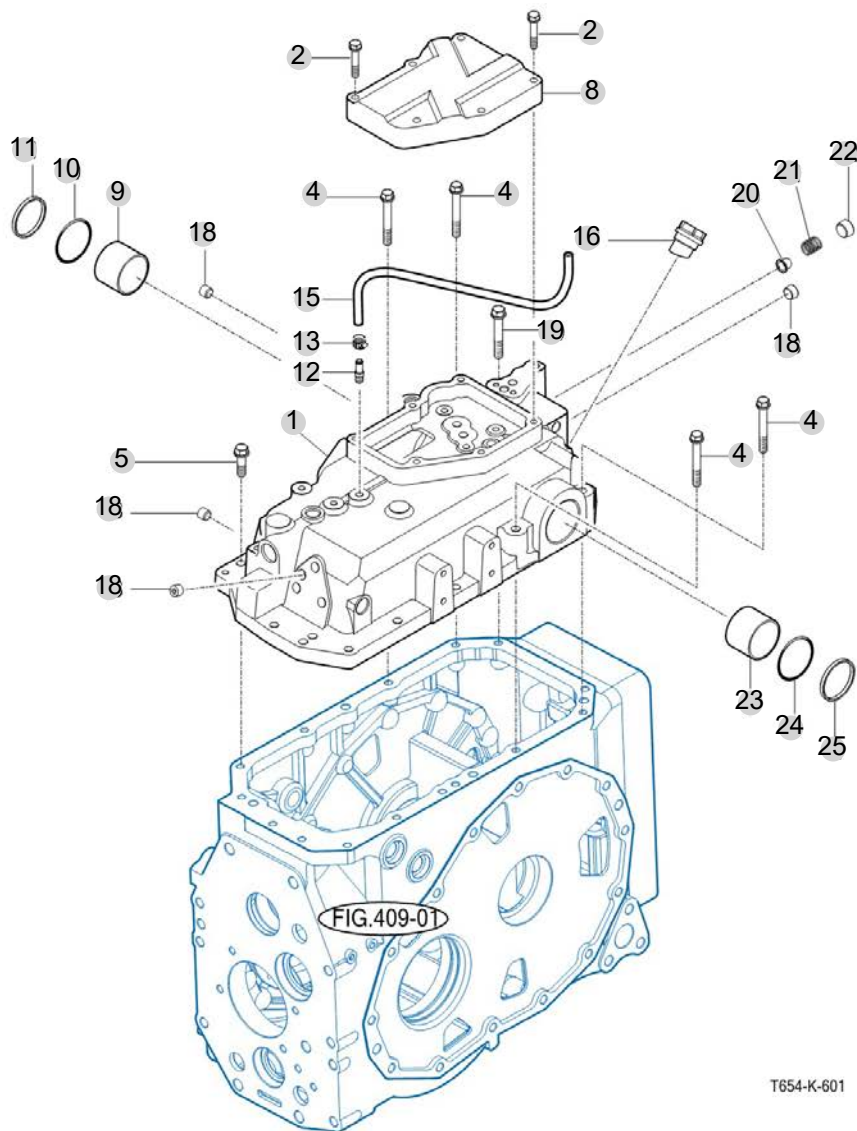
FIG 601

T654SMEUA

CYLINDER CASE

년/월
Year/Month

2022-12



T654-K-601

NOTE

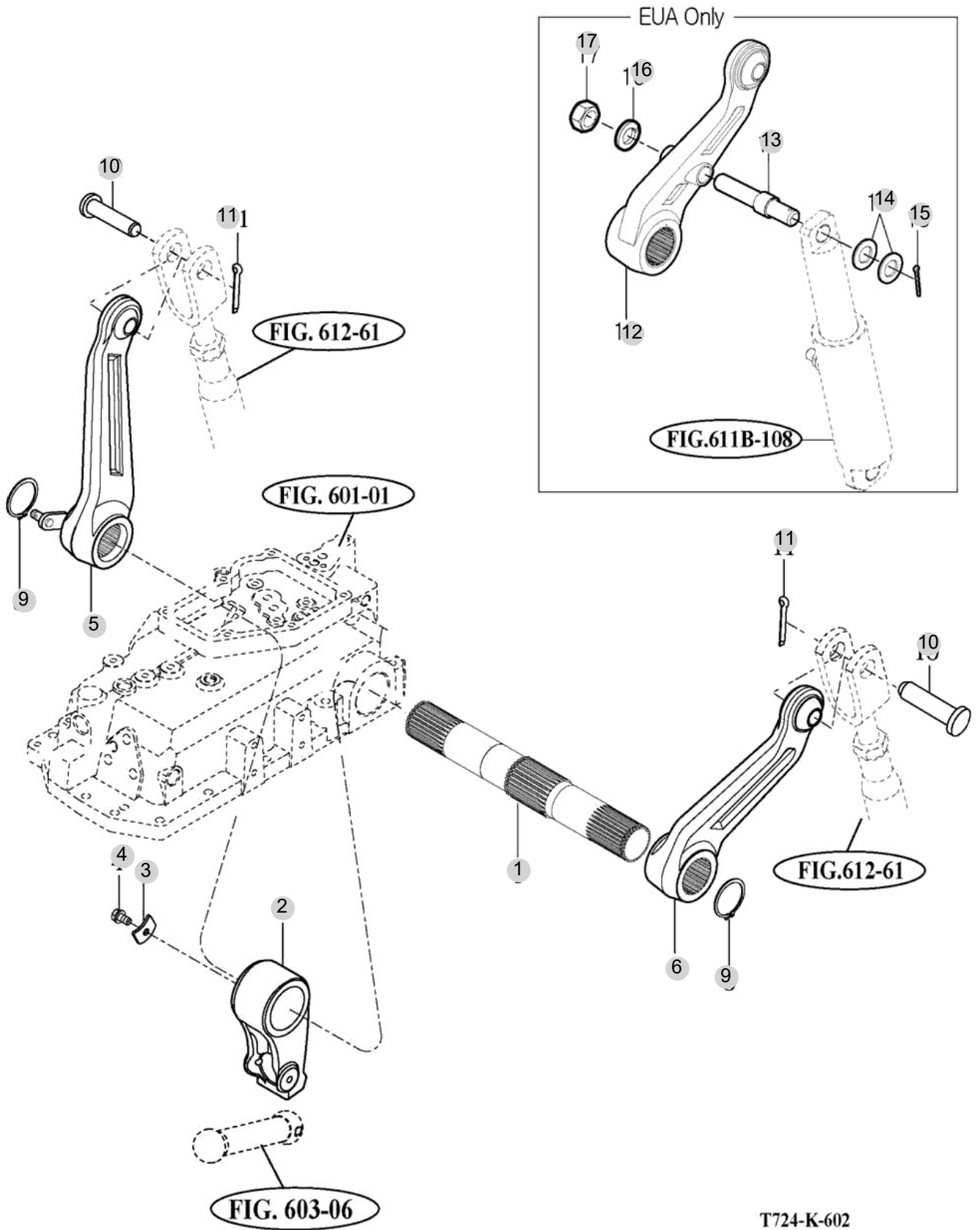
FIG 602

T654SMEUA

LIFT ARM

년/월
Year/Month

2022-12



NOTE

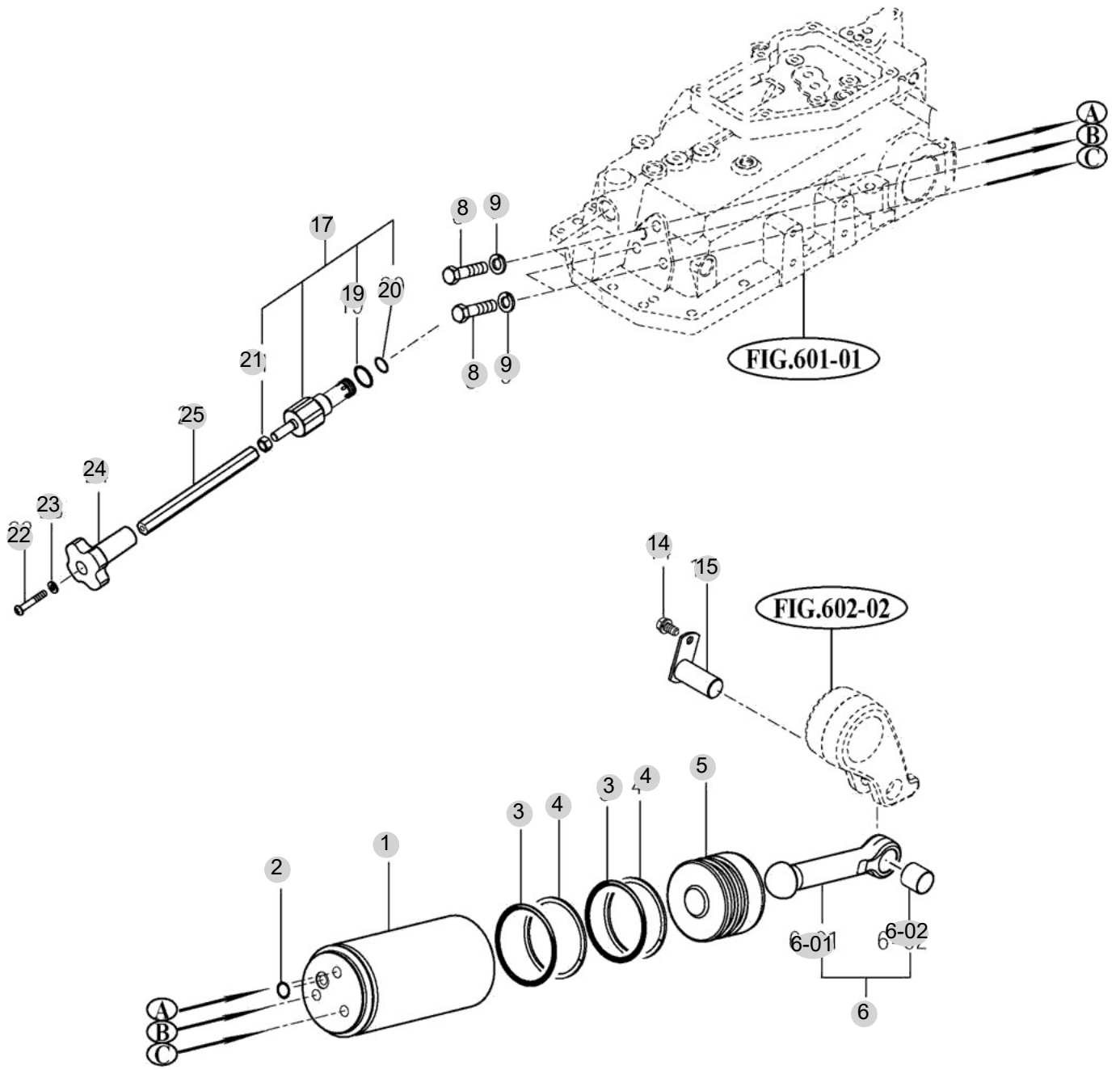
FIG 603

CYLINDER

년/월
Year/Month

2022-12

T654SMEUA



T543/T603-E-603A

NOTE

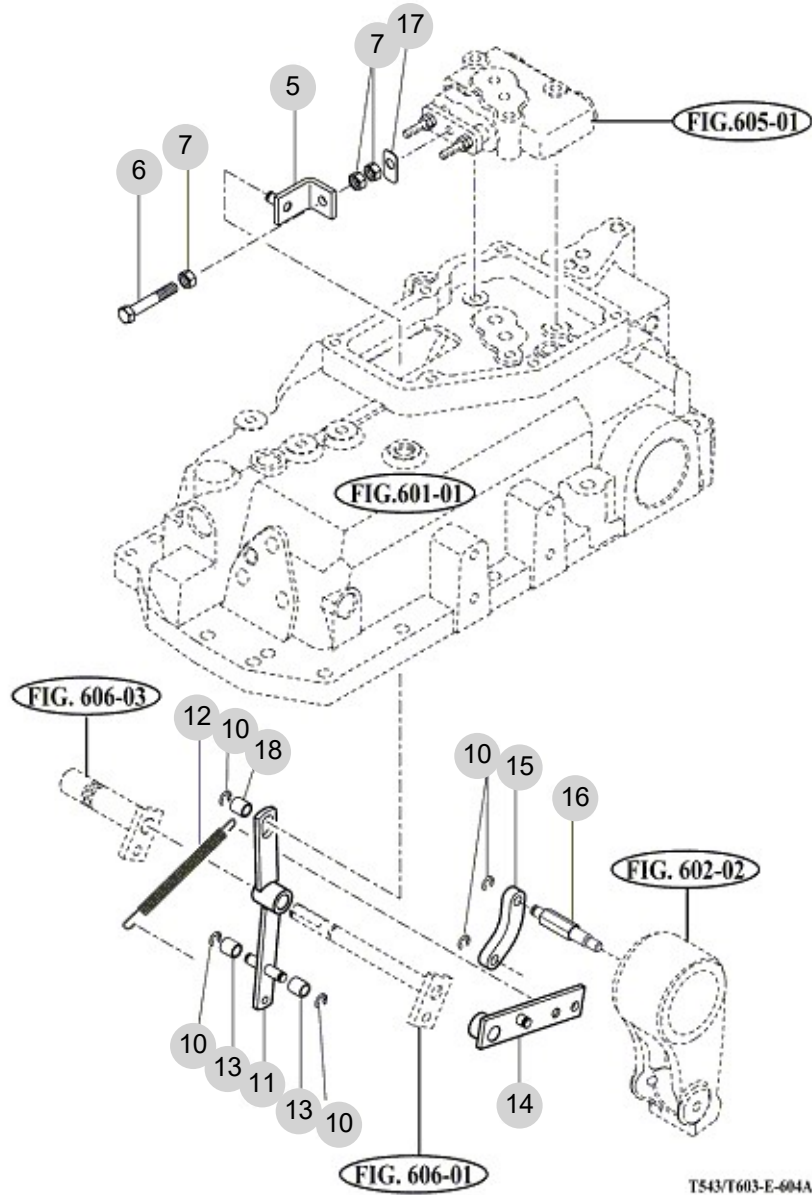
FIG 604

T654SMEUA

POSITION LINK

년/월
Year/Month

2022-12



NOTE

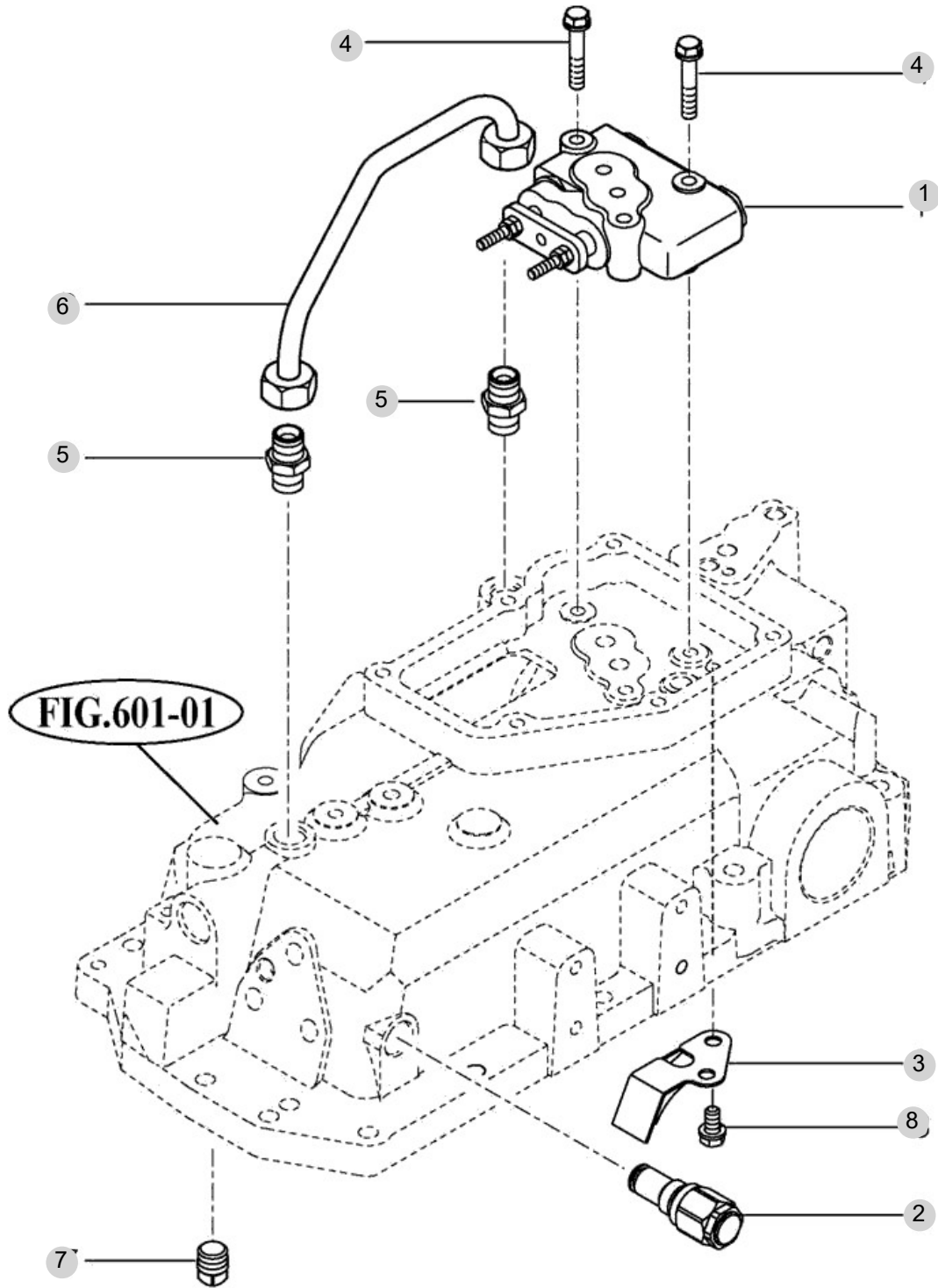
FIG 605

CONTROL VALVE

년/월
Year/Month

2022-12

T654SMEUA



T543/T603-E-605A

NOTE

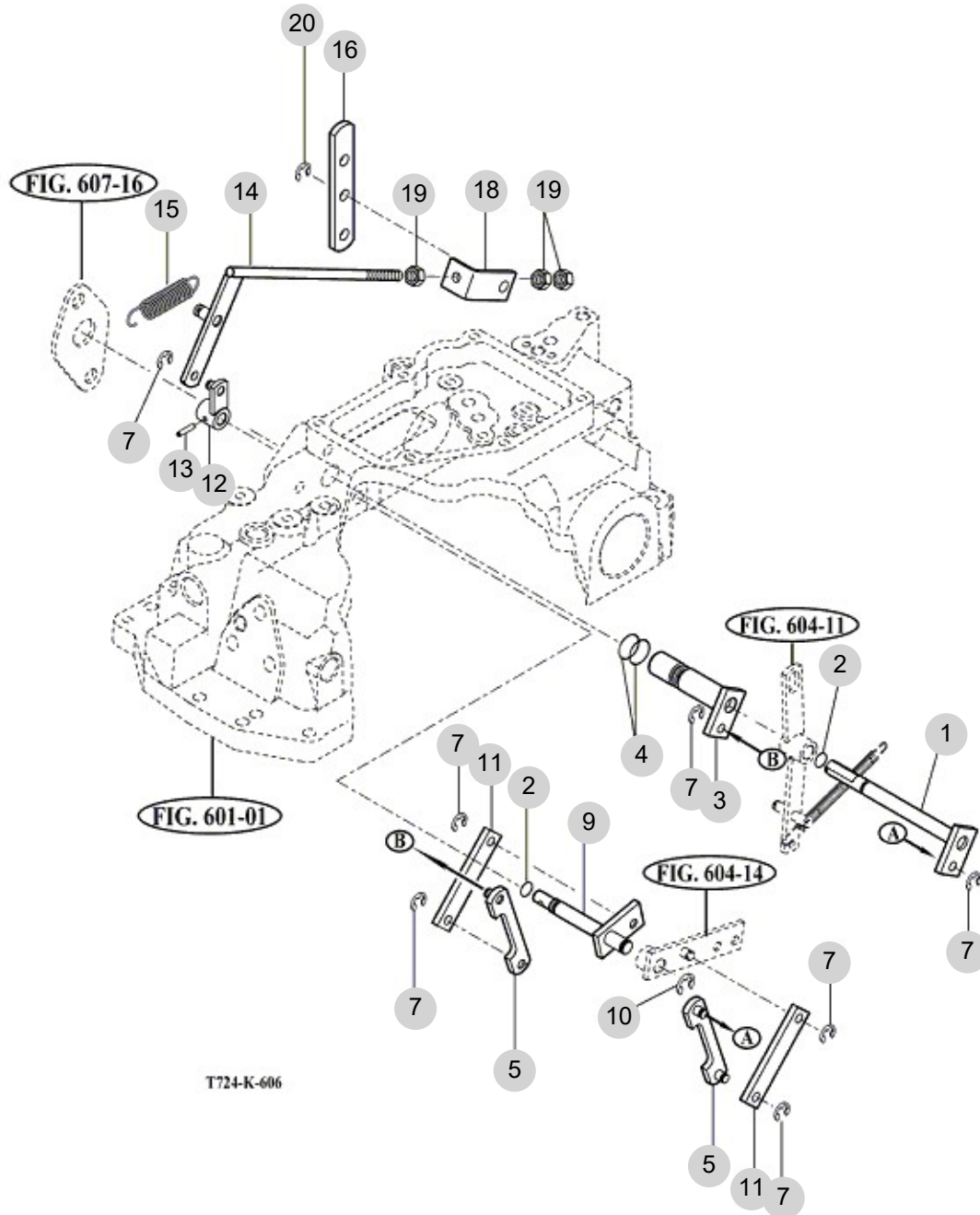
FIG 606

DRAFT LINK

년/월
Year/Month

2022-12

T654SMEUA



T724-K-606

NOTE

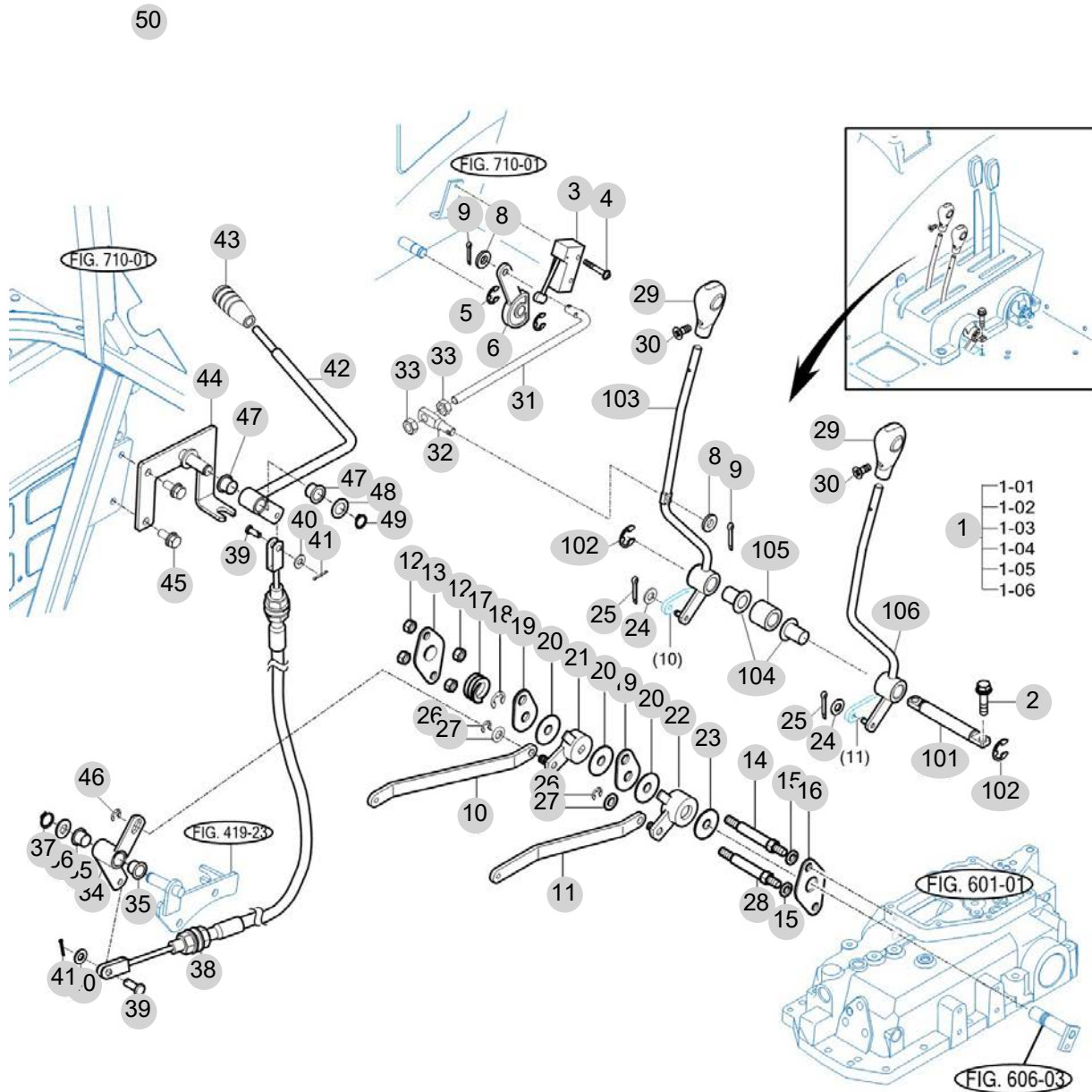
FIG 607

T654SMEUA

POSITION & DRAFT LEVER

년/월
Year/Month

2022-12



T654-K-607

NOTE

FIG 607 T654SMEUA		POSITION & DRAFT LEVER					년/월 Year/Month	
							2022-12	
KEY NO	PART NO	DESCRIPTION	SPEC	QTY	REPAIR	EFFECTIVE DATE	REMARKS	
607	1	19997092101	REVER SUB , POSITION/DRAFT	1X1X1	1			
607	101	14527092110	SHAFT	D=16	1			
607	102	V7081400150	E-RING	15	2			
607	103	19997092201GB	LEVER COMP , POSITION	400*50*100	1			
607	104	14527092120	BUSH, NYLON/16X18X27	1X1X1	2			
607	105	14527092251	COLLER , SPACE	D=30	1			
607	106	19997092301GB	LEVER COMP , DRAFT	400*50*100	1			
607	2	V2183608020	BOLT , HEX/SP	M8X20	2			
607	3	16606742301	SWITCH ASSY . LIMIT		1			
607	4	V1222604025	SCREW , C/R PAN/SP	M4X25	2			
607	5	V7081400080	E-RING	8	2			
607	6	14527090020	CAM , SENSER	1X1X1	1			
607	8	V4111600060	WASHER , PLAIN	M6	2			
607	9	V5001920020	PIN , SPLIT	2X20	2			
607	10	19995070120	PLATE , POSITION	19X6T	1			
607	11	19995070140	PLATE , DRAFTER	19X6T	1			
607	12	V3043600100	NUT , HEX/2	M10	4			
607	13	17995070140	PLATE , C	3.2T	1			
607	14	17995070150	BOLT , SUPPORT	H14X108.9	1			
607	15	V4011600100	WASHER , SPRING	M10	2			
607	16	17995070170	PLATE , D	3.2TX90X50	1			
607	17	17995070180	SPRING	33X23	1			
607	18	V7081400120	E-RING	12	1			
607	19	17995070200	PLATE , A	3.2TX40X62	2			
607	20	13835070210	PLATE , FRICTION		3			
607	21	14525070221	ARM COMP , POSITION	1X1X1	1			
607	22	14525070230	ARM COMP , DRAFT LEVER		1			
607	23	13835070220	PLATE , FRICTION		1			
607	24	V4111600060	WASHER , PLAIN	M6	2			
607	25	V5001920020	PIN , SPLIT	2X20	2			
607	26	V7081400080	E-RING	8	2			
607	27	V4111600100	WASHER , PLAIN	M10	2			
607	28	17995070340	BOLT , SUPPORT		1			
607	29	19027592011	KNOB , AUX LEVER	1X1X1	2			
607	30	V1122804012	SCREW , C/R FLAT	M4X12	2			
607	31	19997090010	ROD,SWITCH	6*150*28	1			
607	32	19997090210	PIN , POSITION ROD	10.6*32*8	1			
607	33	V3002600060	NUT , HEX/1	M6	2			
607	34	19955070500GB	ARM COMP , EXTERIOR POSITION	1X1X1	1			
607	35	15602870024	BUSH , 16X24X15		2			
607	36	36212110030	WASHER , TENSION ARM		1			
607	37	V7041400160	C-RING , SHAFT		1			
607	38	18175070700	CABLE, EXTERNAL POSITION ASSY		1			
607	39	14322420010	PIN		2			
607	40	V4111600080	WASHER , PLAIN		2			
NOTE								

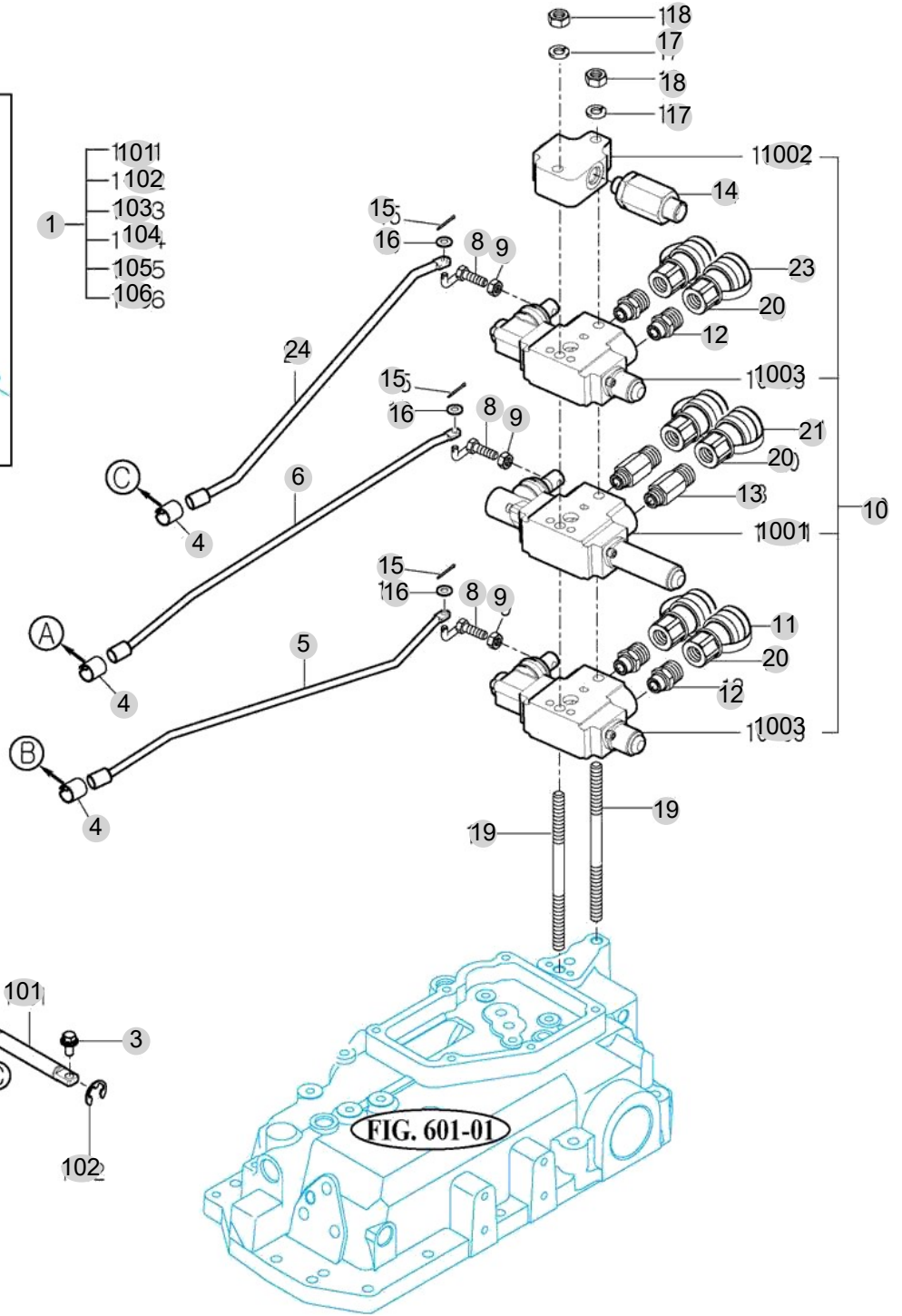
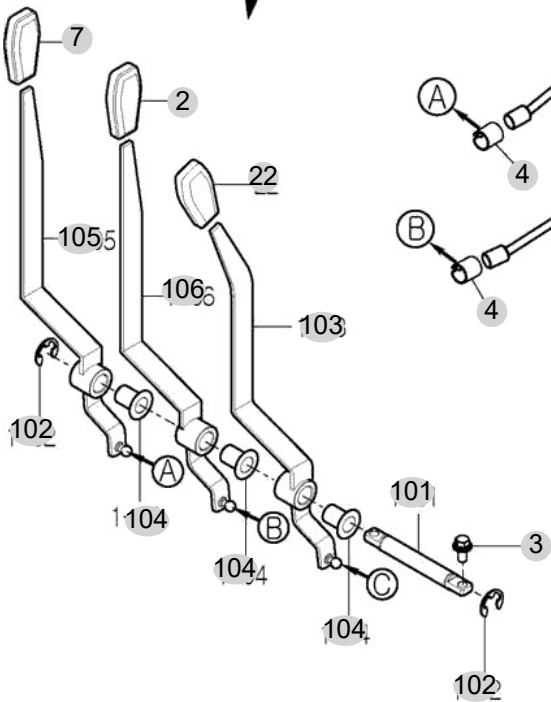
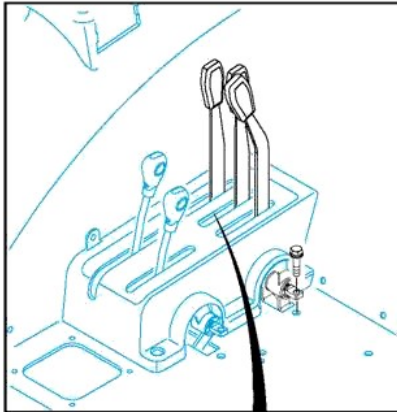
FIG 608

EXTERIOR HYD. VALVE(OPTION_6P)

년/월
Year/Month

2022-12

T654SMEUA



T754-K-608

FIG. 601-01

NOTE

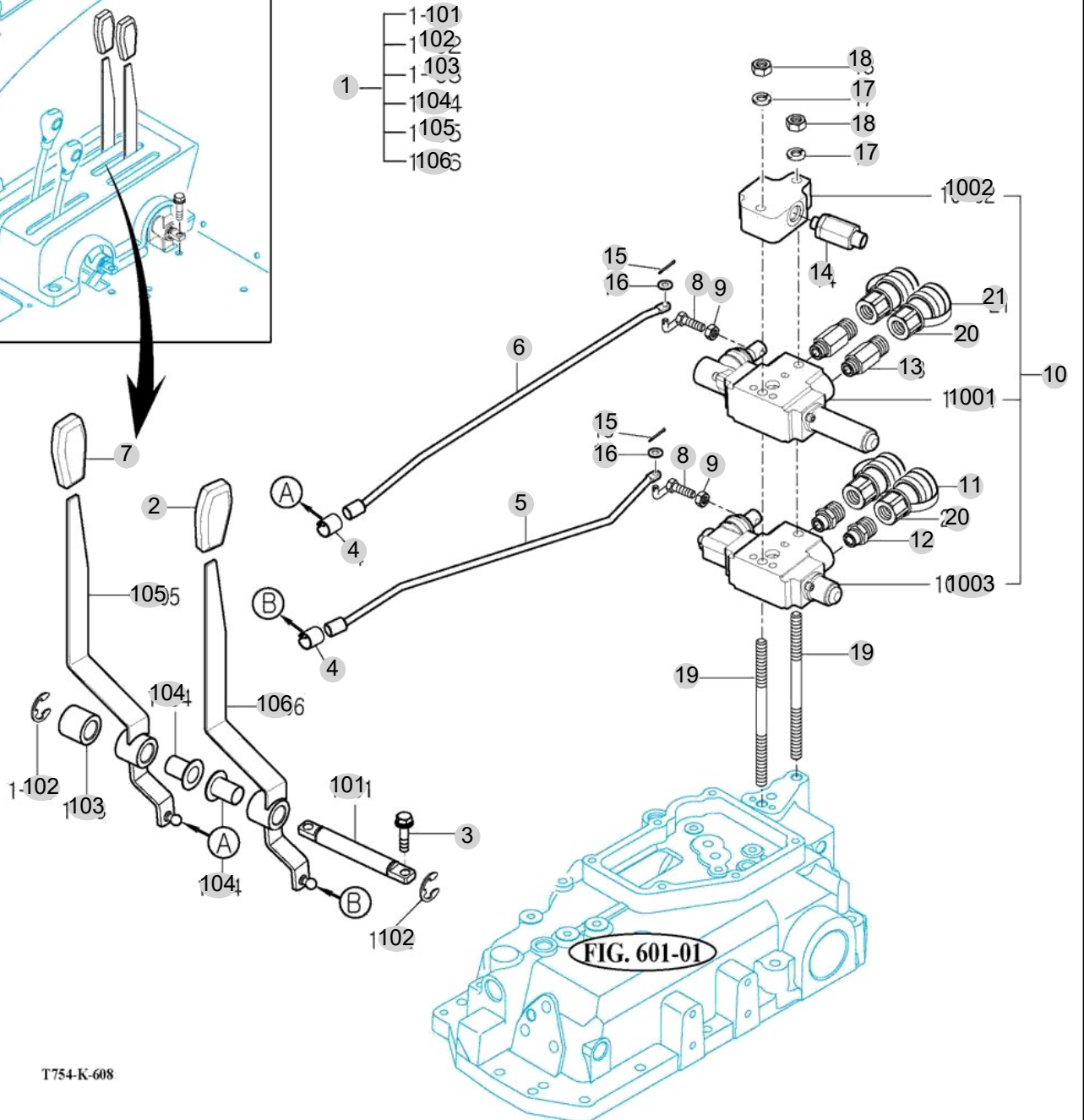
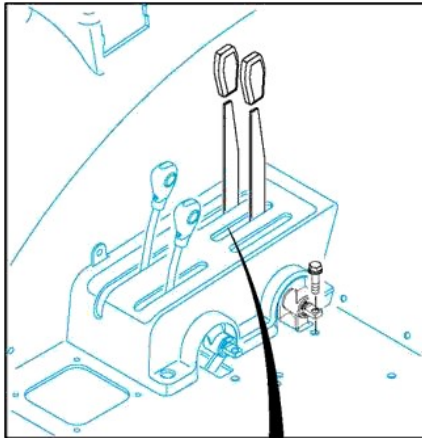
FIG 608

T654SMEUA

EXTERIOR HYD. VALVE

년/월
Year/Month

2022-12



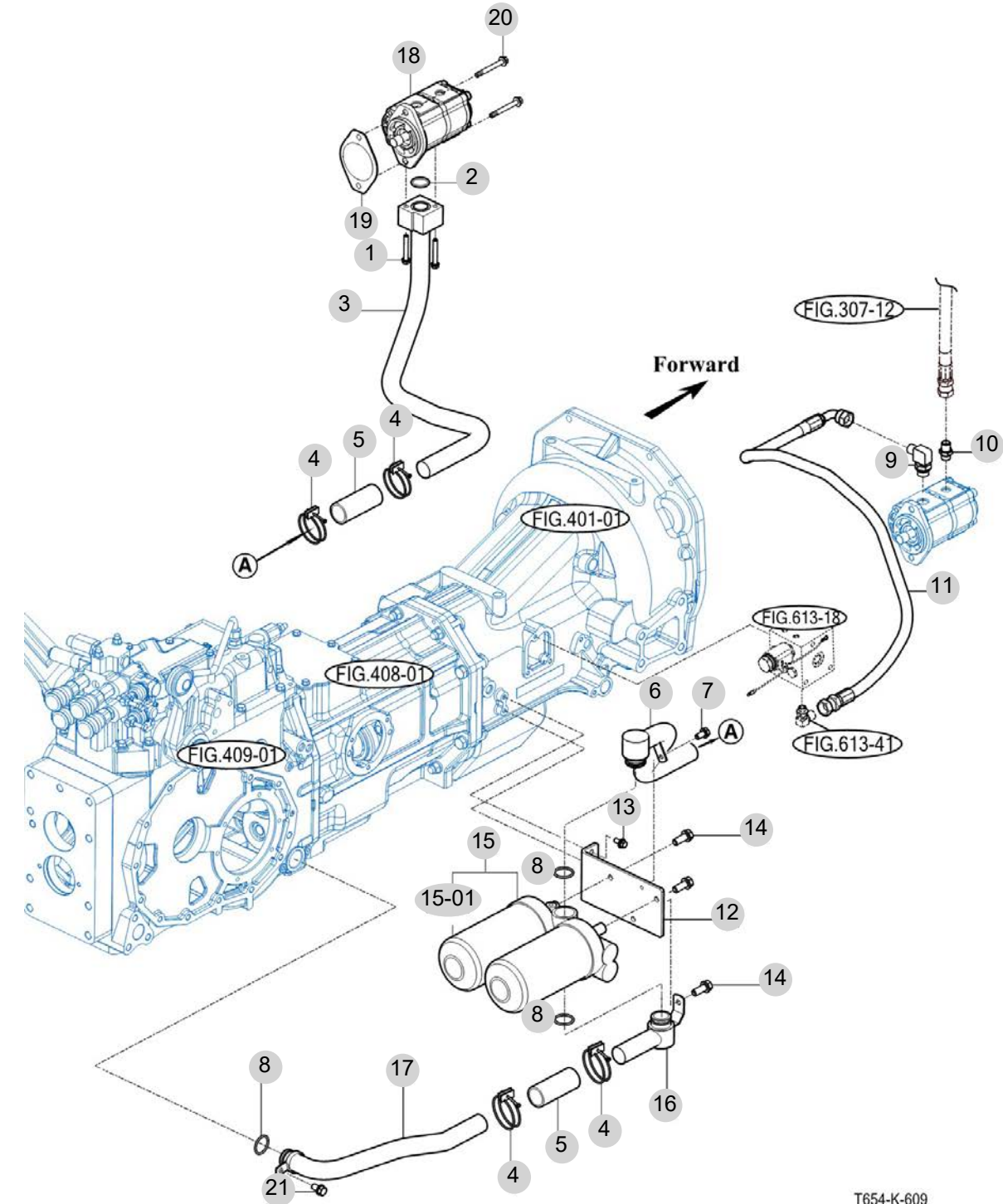
NOTE

FIG 609

HYDRAULIC PIPE

년/월
Year/Month

2022-12



T654-K-609

NOTE

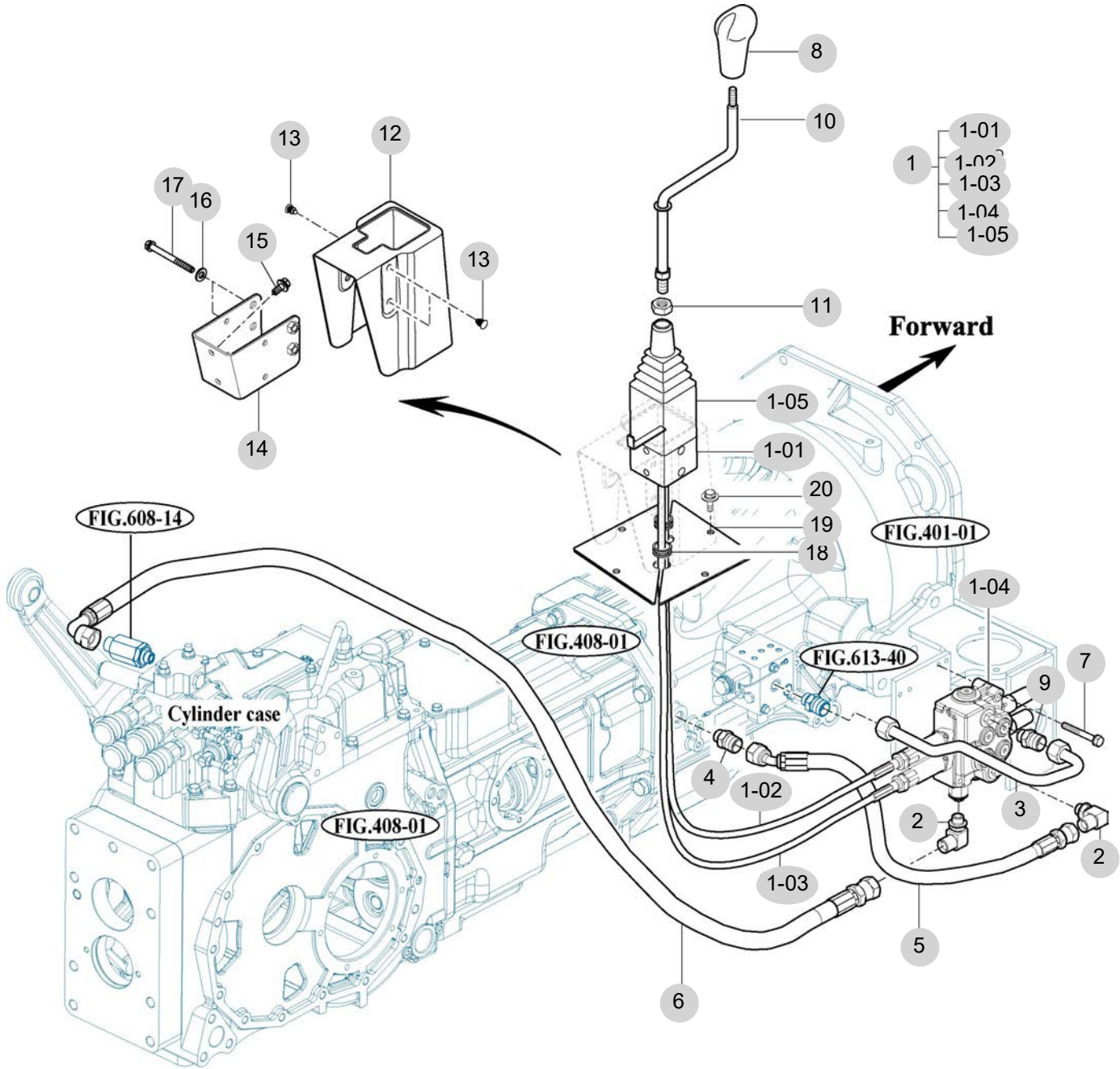
FIG 610

JOYSTICK

년/월
Year/Month

2022-12

T654SMEUA



T654-K-610

NOTE

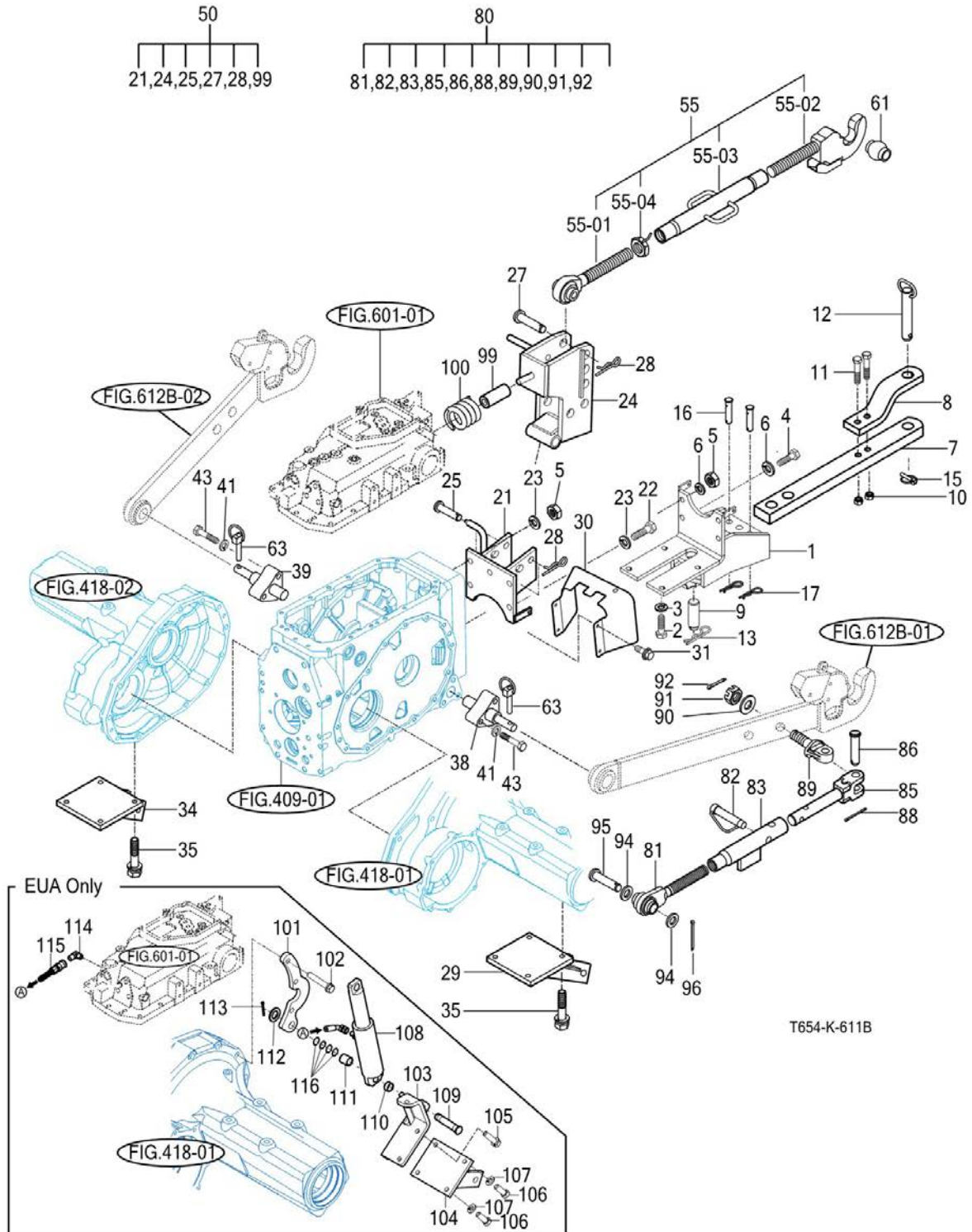
FIG 611B

HITCH & 3-P LINK (EU)

년/월
Year/Month

2022-12

T654SMEUA



NOTE

FIG 611B T654SMEUA		HITCH & 3-P LINK (EU)						년/월 Year/Month	
								2022-12	
KEY NO	PART NO	DESCRIPTION	SPEC	QTY	REPAIR	EFFECTIVE DATE	REMARKS		
611B	1	18015202000GB	BRACKET COMP , DRAW BAR/SWING	246*20*440	1				
611B	2	V2013614035	BOLT , HEX	M14X35	4				
611B	3	V4011600140	WASHER , SPRING	M14	4				
611B	4	V2013616035	BOLT , HEX	M16X35	2				
611B	5	V3043600160	NUT , HEX/2	M16	4				
611B	6	V4011600160	WASHER , SPRING	M16	4				
611B	7	17332470010GB	LINK , DRAW BAR SWING	65X35X660	1				
611B	8	18992470020GB	LINK , HITCH	1X1X1	1				
611B	9	17332472010	PIN , DRAWBAR	D=28	1				
611B	10	15189240160	NUT , NYLON , M16	1X1X1	2				
611B	11	V2004616080	BOLT , HEX	M16X80	2				
611B	12	S0973063031	PIN ASSY	D=19	2				
611B	13	V2173610020	BOLT , HEX/S		1				
611B	13	S2169908420	PIN , SNAP/28	1X1X1	1				
611B	15	14215020020	PIN , LINK		1				
611B	16	15645220011	PIN , 19X86	D=19	2				
611B	17	14445140051	PIN , 19	D=4.5	2				
611B	21	15705222000GB	BRACKET COMP		1				
611B	22	V2013616035	BOLT , HEX	M16X35	3				
611B	23	V4011600080	WASHER , SPRING	M8	5				
611B	24	19995222100	LINK COMP	1X1X1	1				
611B	25	15645250010	PIN , 19X122	D=19	2				
611B	27	15645220020	PIN , 19X95	D=19	1				
611B	28	14445140051	PIN , 19	D=4.5	3				
611B	30	13605200012GB	COVER , SHIELD	1X1X1	1				
611B	31	V2183608016	BOLT , HEX/SP	M8X16	4				
611B	34	17975254200	BRACKET COMP , RH	1X1X1	1				
611B	38	17975252710	PIN , LOWER LINK		1				
611B	39	17975252810	PIN , LOWER LINK	1X1X1	1				
611B	41	V4011600140	WASHER , SPRING	M14	6				
611B	43	V2013614060	BOLT , HEX	M14X60	6				
611B	50	17135200500	BRACKET ASSY	1X1X1	1				
611B	55	17995201002GB	LINK ASSY . TOP LINK	1X1X1	1				
611B	5501	17995201300	ROD COMP , RH	1X1X1	1				
611B	5502	17995201101	ROD COMP , LH		1				
611B	5503	17995201202	SLEEVE COMP	1X1X1	1				
611B	5504	17995201400	NUT , LOCK M12	육각 B=30	1				
611B	61	17995201500	BALL , TOP LINK	1X1X1	1				
611B	63	14215020020	PIN , LINK		2				
611B	80	17995253005	LINK ASSY , ADJUSTER	566X58X44	2				
611B	81	17995253102	ROD ASSY , TIE	1X1X1	2				
611B	82	17995253200	PIN COMP		1				
611B	82	19405206400	LINCHPIN(14) ASSY	1X1X1	4				
611B	83	17995253302DG	SLEEVE COMP		1				
611B	83	17995253302GB	SLEEVE COMP		1				
NOTE									

FIG 611B T654SMEUA			HITCH & 3-P LINK (EU)				년/월 Year/Month	
							2022-12	
KEY NO	PART NO	DESCRIPTION	SPEC	QTY	REPAIR	EFFECTIVE DATE	REMARKS	
611B	83	17995253303GB	SLEEVE COMP	1X1X1	4			
611B	85	19025205100	ROD COMP, R		1			
611B	85	19025205300	ROD COMP, R		1			
611B	85	19025205301	ROD COMP, R	1X1X1	2			
611B	86	S2167091722	PIN, 20X59	62X22	4			
611B	88	V5001950035	PIN, SPLIT	5X35	2			
611B	89	16995253091	BOLT, EYE		2			
611B	90	V4111600240	WASHER, PLAIN	M24	2			
611B	91	V3302600240	NUT, HEX	M24	2			
611B	92	V5001950035	PIN, SPLIT	5X35	2			
611B	94	V4111600200	WASHER, PLAIN	M20	2			
611B	95	15645220020	PIN, 19X95	D=19	2			
611B	96	V5001950035	PIN, SPLIT	5X35	2			
611B	99	17995220990	RUBBER, GUIDE	1X1X1	1			
611B	100	15685100020GB	SPRING, HC 067	1X1X1	1			
611B	101	15795800080	PLATE, LOW SUPPORT		1			
611B	102	V2004612100	BOLT, HEX	M12X100	3			
611B	103	15795804100	PLATE COMP, UPR SUPPORT		1			
611B	104	17975254100GB	BRACKET COMP, LH	1X1X1	1			
611B	105	V2174612040	BOLT, HEX/S	M12X40	3			
611B	106	V2014612030	BOLT, HEX	M12X30	2			
611B	107	V4011600120	WASHER, SPRING	M12	2			
611B	108	18095803000	CYLINDER ASSY, AUX		1			
611B	109	15795800060	PIN, 20X105		1			
611B	110	15795800030	SPACER, 20.4X30X36.7		1			
611B	111	18095800050	SPACER, 20.4X27.2X12.8		1			
611B	112	V4111600200	WASHER, PLAIN	M20	1			
611B	113	V5001950035	PIN, SPLIT	5X35	1			
611B	114	19055204030	ELBOW, PT1/4,PF1/4	PT1/4	1			
611B	115	18095804100	HOSE ASSY, HYD 800		1			
611B	116	10165804100GB	SHIM, /AUX CYLINDER		4			
NOTE								

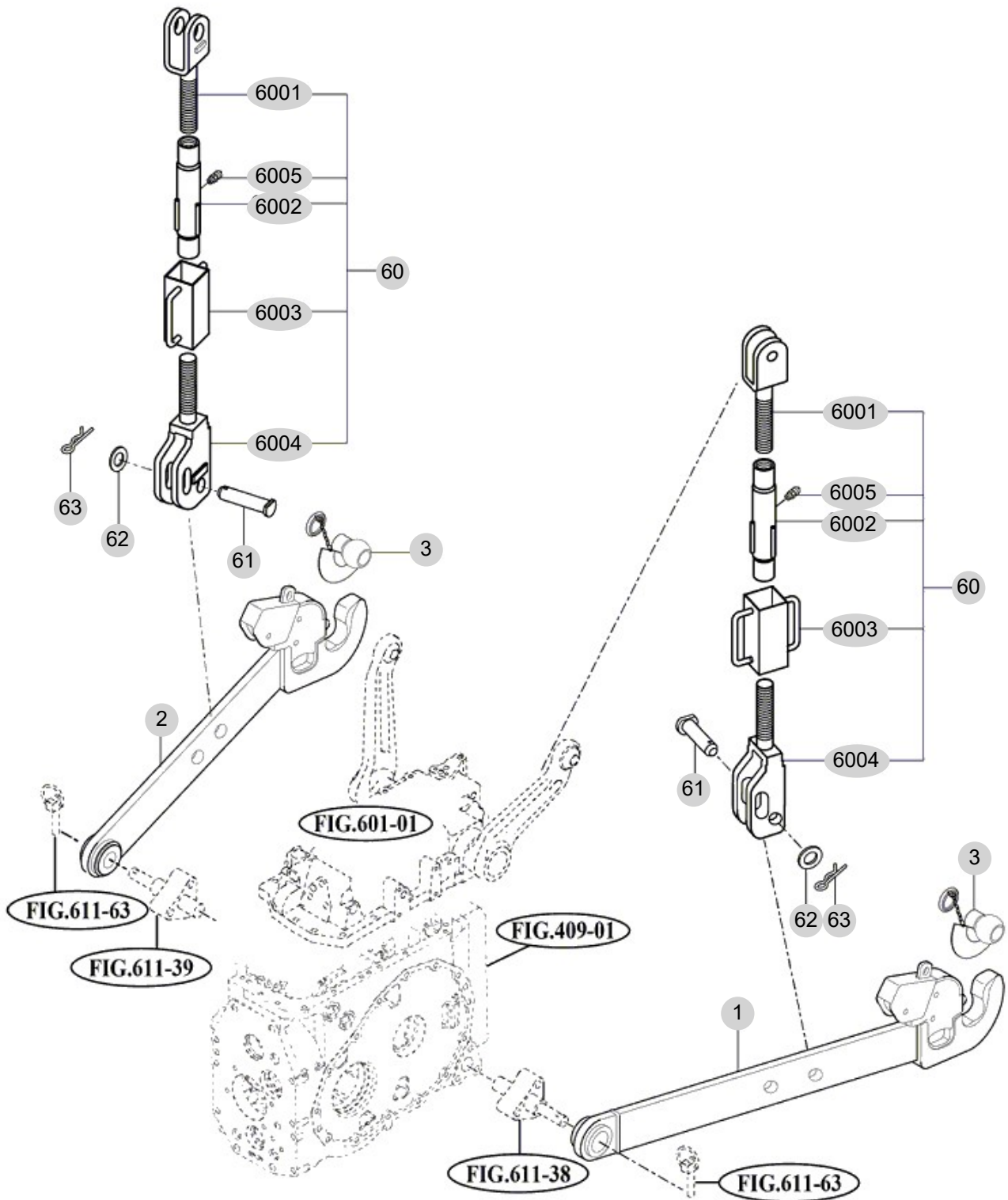
FIG 612B

T654SMEUA

LOWER LINK & LIFT ROD(EU)

년/월
Year/Month

2022-12



T654-K-612B

NOTE

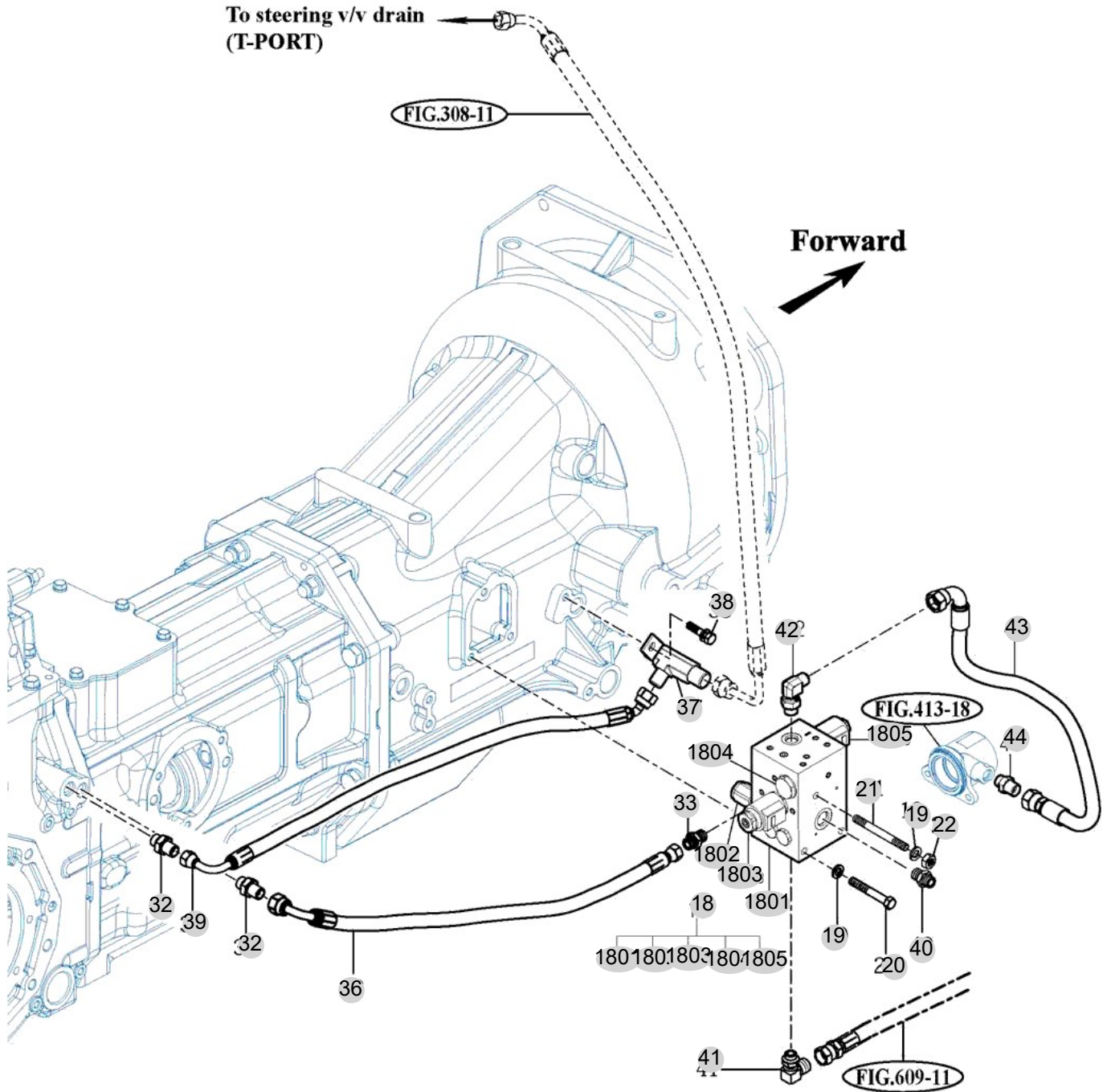
FIG 613-2

T654SMEUA

HYDRAULIC HOSE(EU)

년/월
Year/Month

2022-12



T654-K-614

NOTE

7. Sheet Metal & Cabin PART NO. T7

FIG 701 HOOD	189
FIG 702 FRONT FRAME	191
FIG 703 SIDE SUPPORT & FRAME HOOD	193
FIG 704 LEVER COVER & STEP	196
FIG 705 FRONT & REAR MOUNTING	198
FIG 706 SEAT & MAT	200
FIG 709 DOOR	202
FIG 710 FRONT GLASS	205
FIG 711 SIDE GLASS	207
FIG 712 REAR GLASS	209
FIG 713 SUB FENDER & COVER	211
FIG 714 MIRROR	213
FIG 715 HEATER & AIR-CON	215
FIG 715-2 HEATER & AIR-CON	217
FIG 716 FENDER COVER	219
FIG 717 ROOF	221
FIG 718 CABIN INTERIOR	223

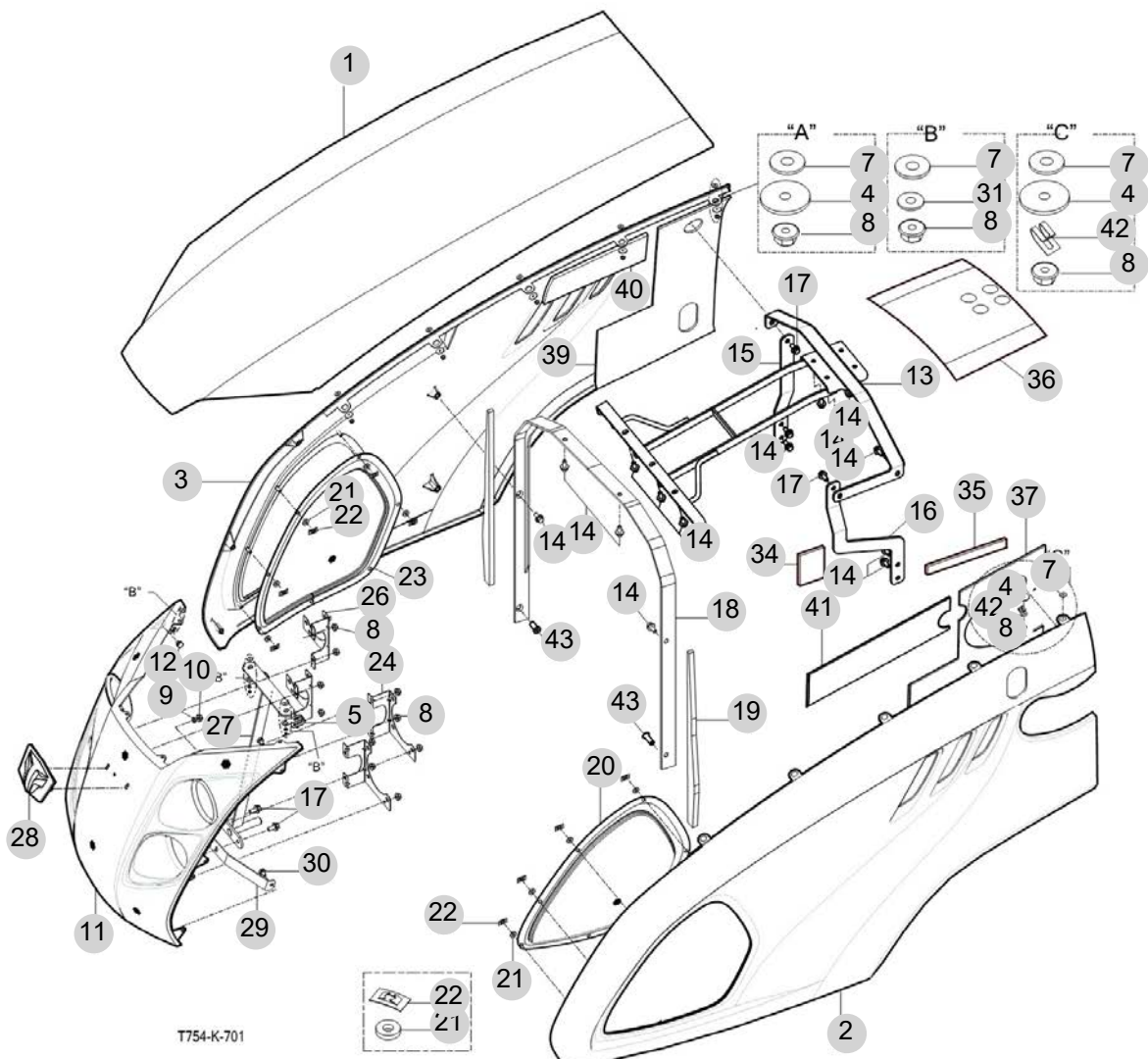
FIG 701

T654SMEUA

HOOD

년/월
Year/Month

2022-12



NOTE

FIG 701 T654SMEUA		HOOD					년/월 Year/Month	
							2022-12	
KEY NO		PART NO	DESCRIPTION	SPEC	QTY	REPAIR	EFFECTIVE DATE	REMARKS
701	1	17136112100SR	HOOD COVER COMP	1253.6X542.4X3 47.5	1			
701	2	17136112201SR	PANEL COMP , LH SIDE		1			
701	3	17136112300SR	PANEL COMP , RH SIDE	1338.7X764.9X1 20	1			
701	4	19026112050	WASHER , 6X30X2.3	T=2.3	10			
701	5	14256210040	CLAMP , 9		2			
701	7	35605033020	WASHER , WIRE WITHDRAWAL	T=1.6	14			
701	8	V3802600060	NUT , HEX FLANGE	M6	26			
701	9	V4111600060	WASHER , PLAIN		2			
701	10	V3802600060	NUT , HEX FLANGE		2			
701	11	17136112401GB	COVER COMP , FRONT GRILLE	548X521.6X382. 6	1			
701	12	V2193606016	BOLT , HEX/SPL	M6X16	4			
701	13	18026112500GB	FRAME COMP , HOOD		1			
701	14	V2183608016	BOLT , HEX/SP	M8X16	16			
701	15	17136112090GB	PLATE , RH	344X32X33	1			
701	16	17136112081GB	PLATE , LH	177X344X33	1			
701	17	V2183608020	BOLT , HEX/SP	M8X20	4			
701	18	10016112701GB	FRONT FRAME COMP, HOOD	1X1X1	1			
701	19	17136112060	INSULATOR , SIDE PANEL	520X29.5X12	2			
701	20	17136112032GB	GRILLE , LH		1			
701	21	14446010150	WASHER , NET		14			
701	22	V3501600060	NUT, PUSH-ON SPRING	M6	14			
701	23	17136112042GB	GRILLE , RH		1			
701	24	17136410010GB	PLATE , LH LAMP	129X124X46.2	2			
701	26	17136410020GB	PLATE , RH LAMP	129X124X46.2	2			
701	27	17136112601GB	PIN COMP , HOOD/LOCK	116X404X192	1			
701	28	17136010100	EMBLEM ASSY , HOOD		1			
701	29	17136112800GB	BRACKET , GRILL	1*1*1	1			
701	30	V2193606020	BOLT , HEX/SPL	M6X20	2			
701	31	V4111600060	WASHER , PLAIN	M6	4			
701	34	17136110500	INSULATOR , A	120*80*10	1			
701	35	17136110600	INSULATOR , C	1280*32*10	1			
701	36	17136110800	INSULATOR , D	450*333*5	1			
701	37	17826110030	INSULATOR , LH/SIDE		1			
701	39	17136110022	INSULATOR , RH COVER	413X534*5	1			
701	40	17136110060	INSULATOR , F	500X208*5	1			
701	41	17136110070	INSULATOR , G	500X208*5	1			
701	42	37371720090	CLAMP , W/HARNES		5			
701	43	V1122808020	SCREW , C/R FLAT	M8X20	2			
NOTE								

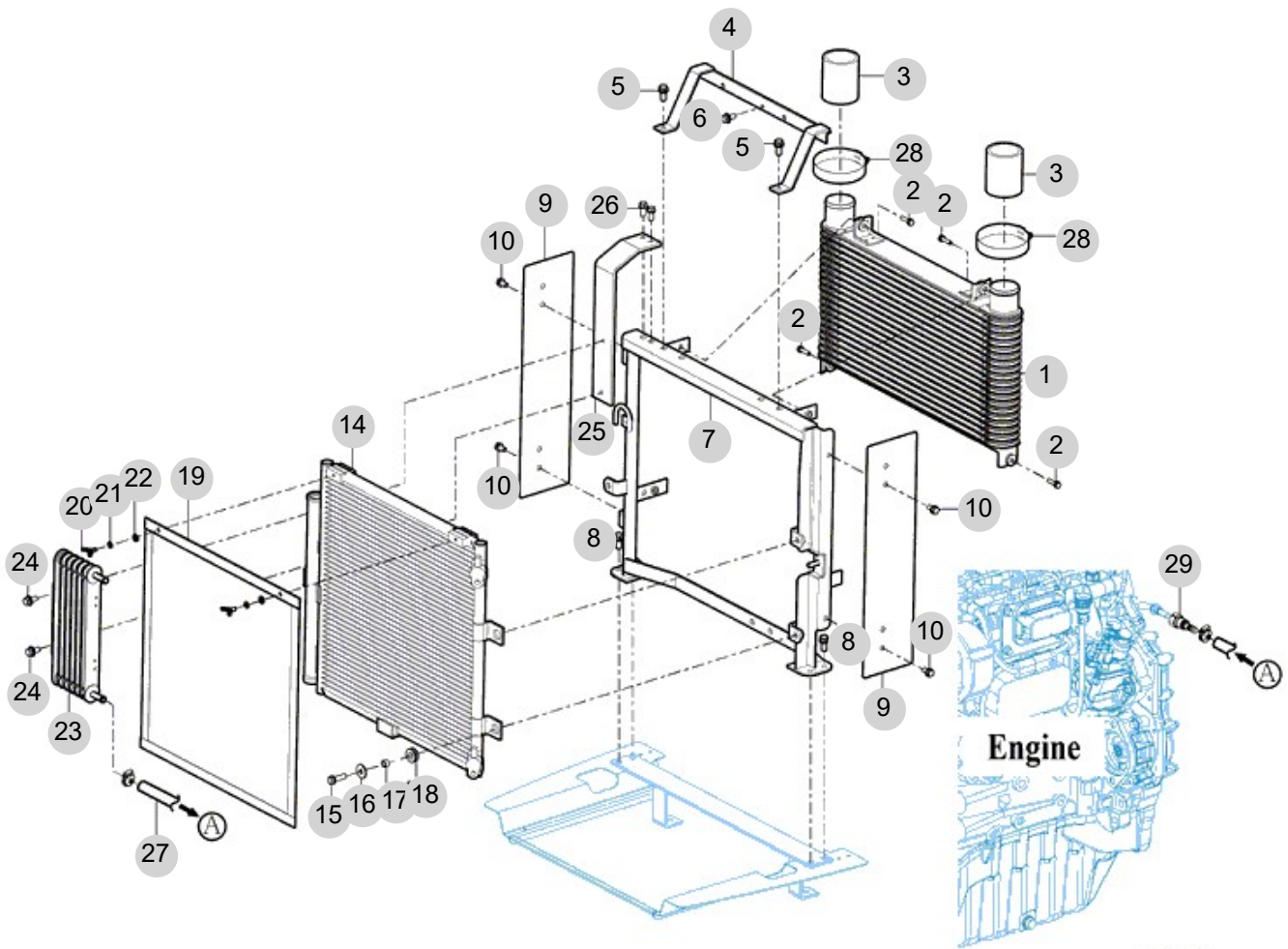
FIG 702

FRONT FRAME

년/월
Year/Month

2022-12

T654SMEUA



T754-K-702

NOTE

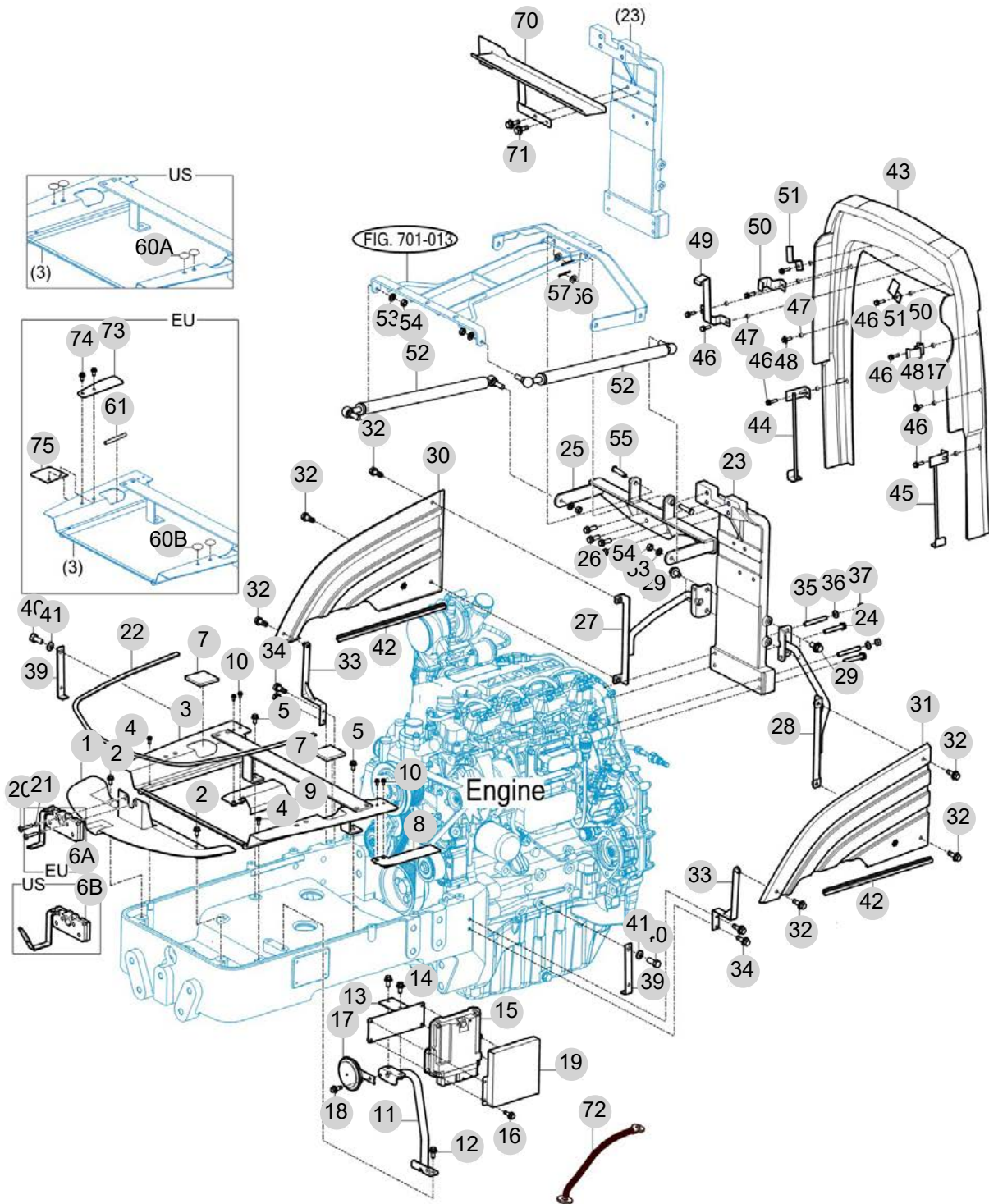
FIG 703

SIDE SUPPORT & FRAME HOOD

년/월
Year/Month

2022-12

T654SMEUA



T754-K-703

NOTE

FIG 703 T654SMEUA		SIDE SUPPORT & FRAME HOOD					년/월 Year/Month	
							2022-12	
KEY NO	PART NO	DESCRIPTION	SPEC	QTY	REPAIR	EFFECTIVE DATE	REMARKS	
703	1	18014103101GB	PLATE COMP, LOW/FR		1			
703	2	V2173608020	BOLT , HEX/S	M8X20	2			
703	3	18026022102GB	FRAME COMP , BETTERY		1			
703	4	V2113606016	BOLT , HEX /S	M6X16	2			
703	5	V2183608020	BOLT , HEX/SP	M8X20	2			
703	6A	18026014800	LOCK COMP , HOOD		1			
703	7	10031040020	INSULATOR , RADIATOR	T=10	2			
703	8	17136012400GB	COVER COMP , LH	170X64X37	1			
703	9	17136012300GB	COVER COMP , RH	170X64X37	1			
703	10	V2123606012	BOLT , HEX /SP	M6X12	4			
703	11	18021051100	ECU STAND COMP		1			
703	11	18021051100GB	ECU STAND COMP		1			
703	12	V2184610025	BOLT , HEX/SP	M10X25	2			
703	13	18021051200	BRACKET COMP , ECU		1			
703	13	18021051200GB	BRACKET COMP , ECU		1			
703	14	V2184608020	BOLT , HEX/SP	M8X20	2			
703	15	02959610	CONTROL UNIT (ECU)		1			
703	16	V2123606025	BOLT , HEX /SP	M6X25	4			
703	17	13266212003	HORN		1			
703	18	V2123606016	BOLT , HEX /SP	M6X16	1			
703	19	18021025200GB	COVER , ECU		1			
703	20	V2053606035	BOLT , HEX C/R	M6X35	2			
703	21	V3802600060	NUT , HEX FLANGE	M6	2			
703	22	10034100010	INSULATOR, HOOD		1			
703	23	18026050011GB	HOOD SUPPORT		1			
703	24	V2173608050	BOLT . HEX/S	M8X50	2			
703	25	17136052102GB	HINGE COMP , HOOD		1			
703	25	17136052103GB	HINGE COMP , HOOD		1			
703	26	V2173610035	BOLT , HEX/S	M10X35	4			
703	27	18026022500GB	STAY COMP , RH		1			
703	28	18026022400GB	STAY COMP , LH		1			
703	29	V2183610020	BOLT , HEX/SP	M10X20	4			
703	30	17136113021GB	SUPPORT , RH SIDE		1			
703	31	17136113011GB	SUPPORT , LH SIDE		1			
703	32	V2123806012	BOLT . HEX /SP	M6X12	6			
703	33	18026022600GB	FRAME COMP , SIDE		2			
703	34	V2183608020	BOLT , HEX/SP	M8X20	4			
703	35	V2513408050	BOLT , STUD/2	M8X50	2			
703	36	V4011600080	WASHER , SPRING	M8	2			
703	37	V3042600080	NUT , HEX/2	M8	2			
703	38	14541063080	SEAL , LH	1X1X1	1			
703	39	18024050010GB	BRACKET , STEERING HOSE		2			
703	40	V2013614030	BOLT , HEX	M14X30	2			
703	41	V4011600140	WASHER , SPRING	M14	2			
703	42	17136040050	INSULATOR , SUPPORT		2			
NOTE								

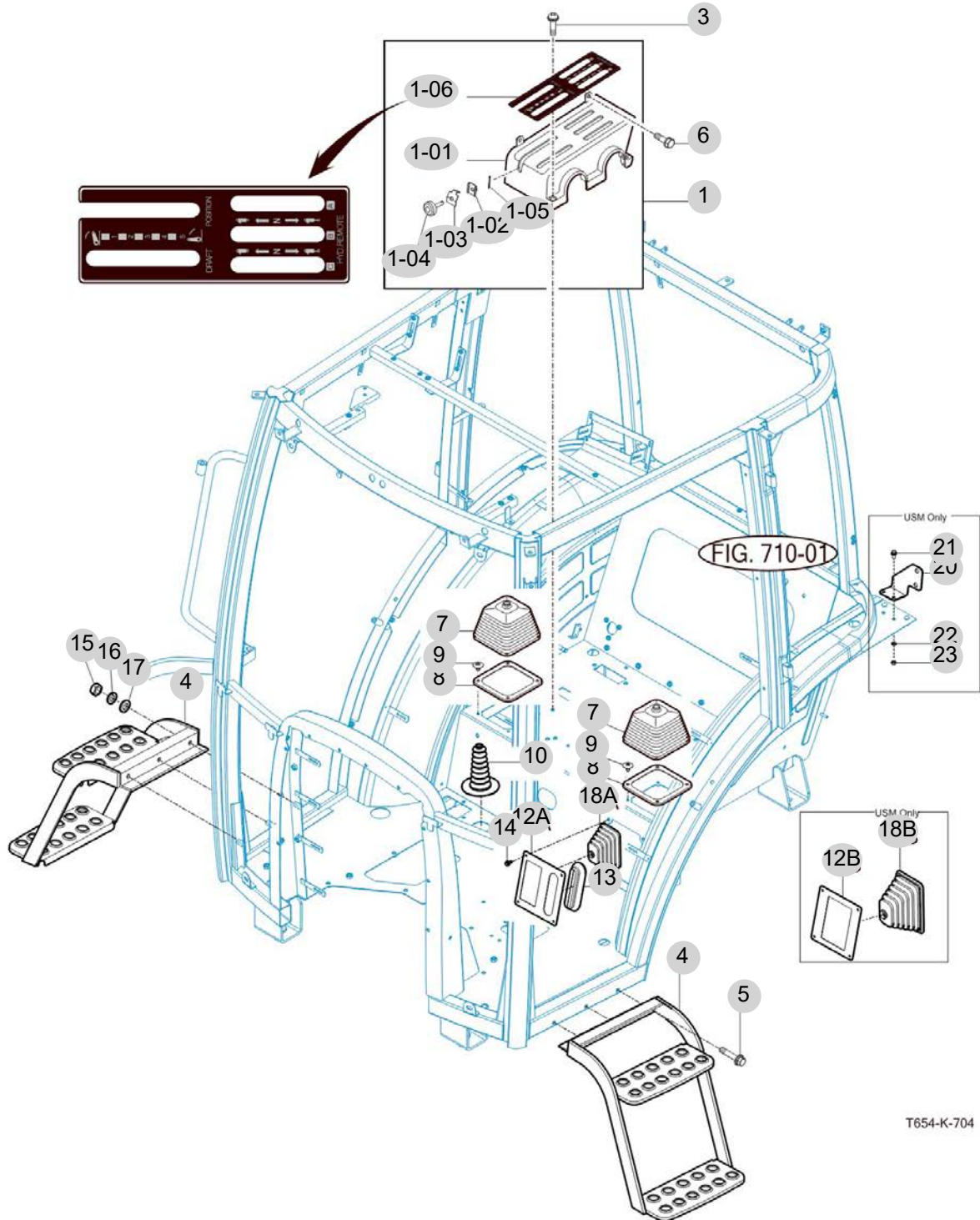
FIG 704

T654SMEUA

LEVER COVER & STEP

년/월
Year/Month

2022-12



NOTE

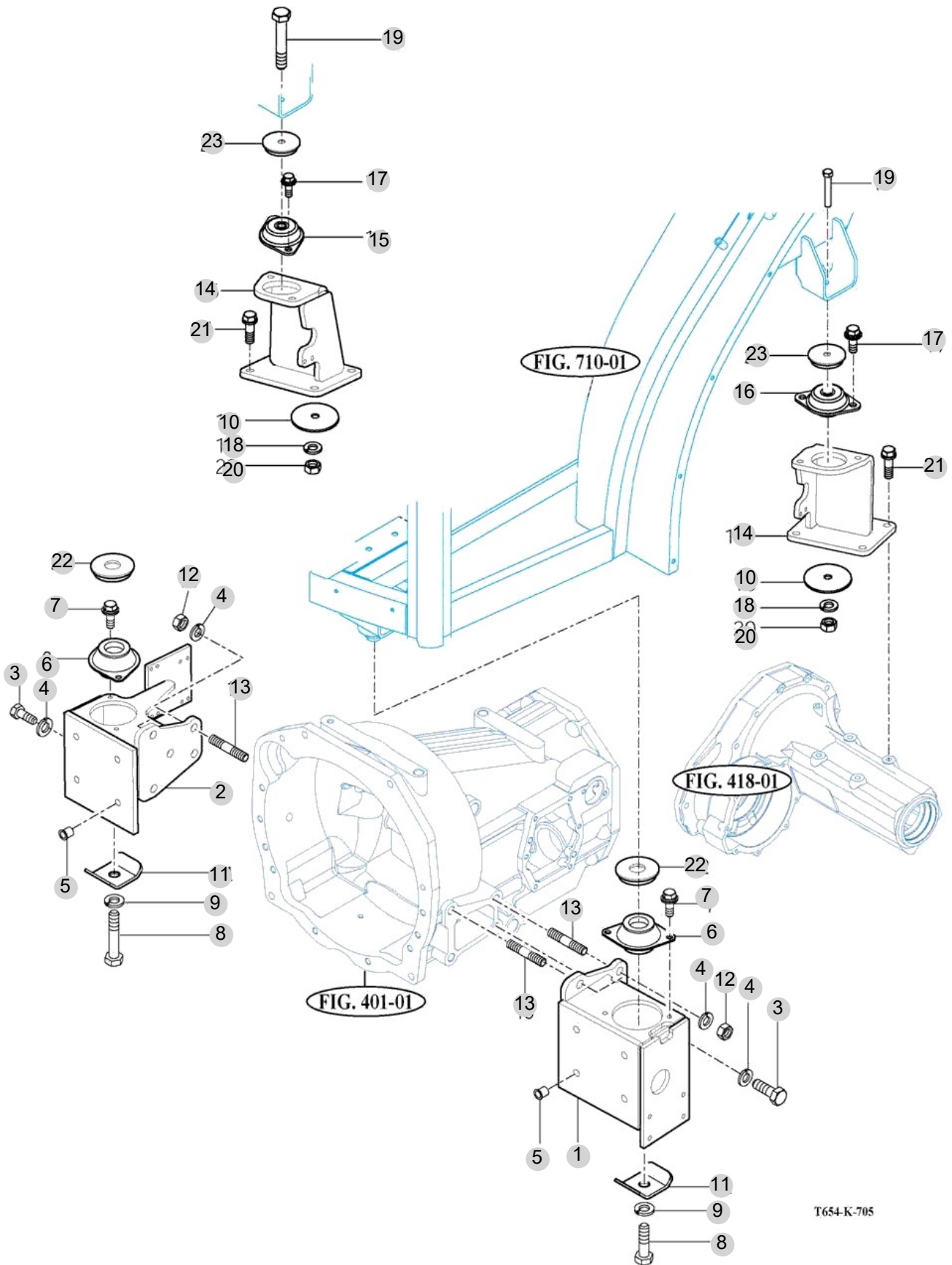
FIG 705

T654SMEUA

FRONT & REAR MOUNTING

년/월
Year/Month

2022-12



T654-K-705

NOTE

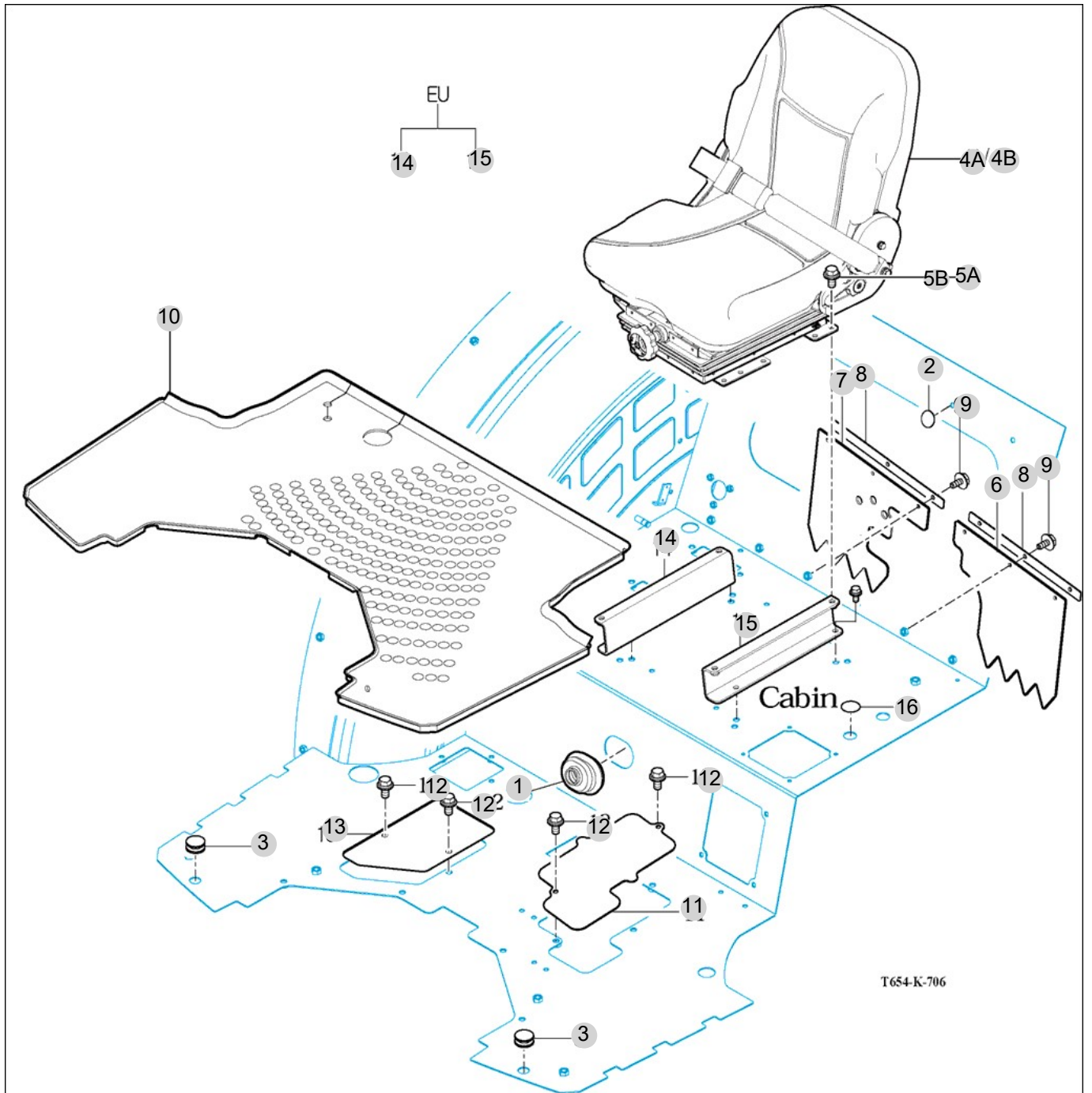
FIG 706

SEAT & MAT

년/월
Year/Month

2022-12

T654SMEUA



NOTE

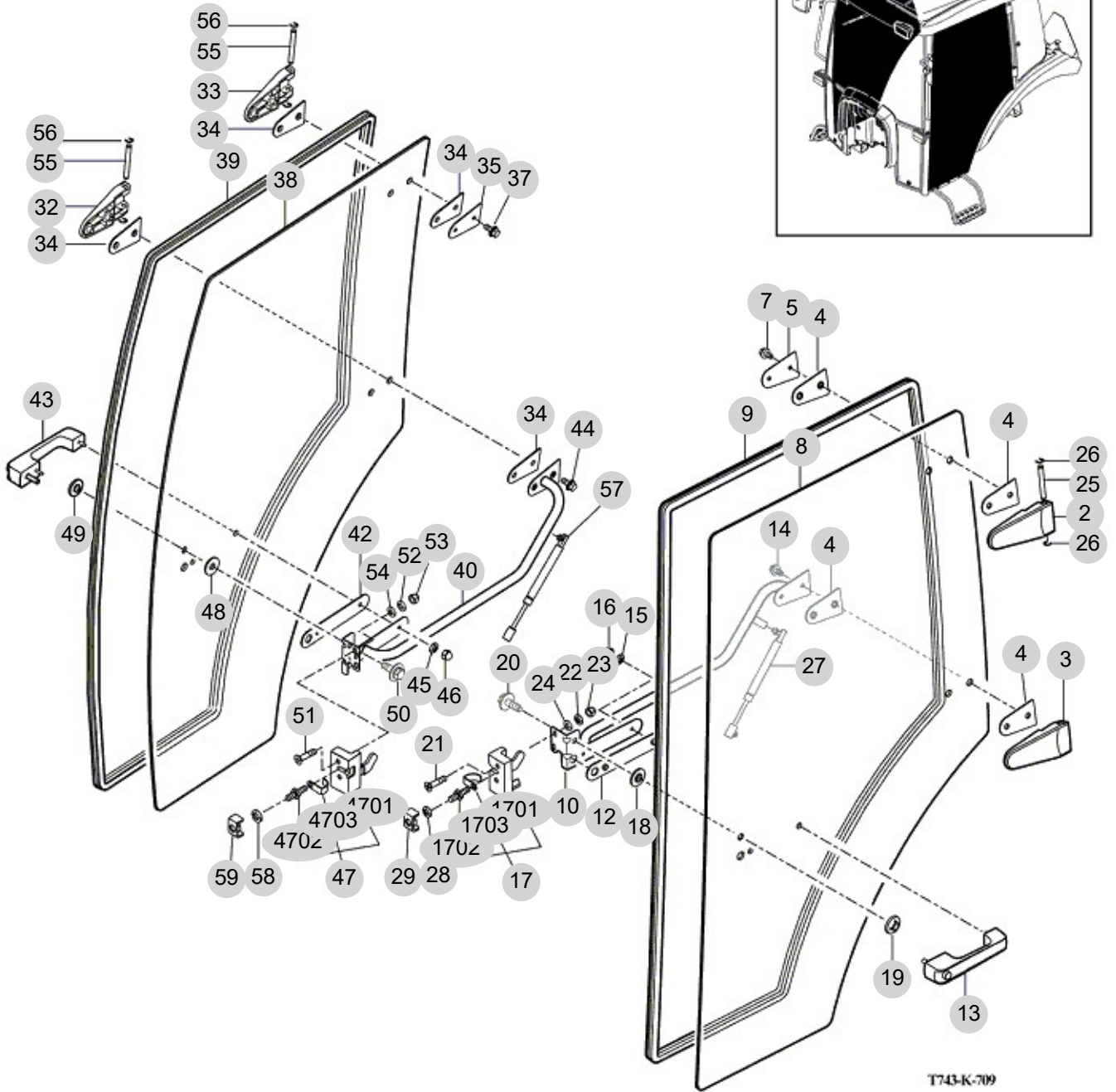
FIG 709

T654SMEUA

DOOR

년/월
Year/Month

2022-12



NOTE

FIG 709		DOOR					년/월 Year/Month		
							2022-12		
T654SMEUA		KEY NO	PART NO	DESCRIPTION	SPEC	QTY	REPAIR	EFFECTIVE DATE	REMARKS
709	2	14527052300	HINGE COMP , UPR/LH	1X1X1	1				
709	3	14527052400	HINGE COMP , UPR/RH	1X1X1	1				
709	4	14527052110	GASKET , DOOR HINGE	1X1X1	4				
709	5	14527052120GB	PLATE , DOOR HINGE	1X1X1	1				
709	7	V2183608020	BOLT , HEX/SP	M8X20	2				
709	8	14527052131	GLASS , LH/ DOOR	6T	1				
709	9	14527052140	INSULATOR/DOOR	1X1X1	1				
709	10	14527052500GB	GUIDE COMP ,LH/ DOOR	1X1X1	1				
709	12	14527052150	GASKET,DOOR GRIP	1X1X1	1				
709	13	14527052600	GRIP ASSY, LOCK/HANDLE	1X1X1	1				
709	14	V2183608020	BOLT , HEX/SP	M8X20	2				
709	15	V4011600060	WASHER , SPRING	M6	2				
709	16	V3402700060	NUT , HEX CAP	M6	2				
709	17	14527052700	LOCK SET , LH/DOOR	1X1X1	1				
709	1701	14527052710	LOCK ASSY, LH/DOOR	1X1X1	1				
709	1702	14527052720	STRIKER	1X1X1	1				
709	1703	14527052730	GUARD	1X1X1	1				
709	18	15817401130	GROMMET , 13X17X02		1				
709	19	14527042500	NUT COMP , GLASS	1X1X1	1				
709	20	V2193606012	BOLT , HEX/SPL	M6X12	1				
709	21	V1122608040	SCREW , C/R FLAT	M8X40	2				
709	22	V4011600080	WASHER , SPRING	M8	2				
709	23	V3412700080	NUT , SMALL CAP	M8	2				
709	24	V4111600080	WASHER , PLAIN	M8	2				
709	25	14527041110	PIN, HINGE DOOR	D=8	2				
709	26	V7082400070	E-RING	7	4				
709	27	14527301080	DAMPER ASSY , DOOR	1X1X1	1				
709	28	V4011600100	WASHER , SPRING	M10	1				
709	29	14527062500GB	BRACKET COMP , DOOR LOCK	1X1X1	1				
709	32	14527052300	HINGE COMP , UPR/LH	1X1X1	1				
709	33	14527052400	HINGE COMP , UPR/RH	1X1X1	1				
709	34	14527052110	GASKET , DOOR HINGE	1X1X1	4				
709	35	14527052120GB	PLATE , DOOR HINGE	1X1X1	1				
709	37	V2183608020	BOLT , HEX/SP	M8X20	2				
709	38	14527053131	GLASS , RH/ DOOR	6T	1				
709	39	14527052140	INSULATOR/DOOR	1X1X1	1				
709	40	14527053500GB	GUIDE COMP ,RH/DOOR	1X1X1	1				
709	42	14527052150	GASKET,DOOR GRIP	1X1X1	1				
709	43	14527052600	GRIP ASSY, LOCK/HANDLE	1X1X1	1				
709	44	V2183608020	BOLT , HEX/SP	M8X20	2				
709	45	V4011600060	WASHER , SPRING	M6	2				
709	46	V3402700060	NUT , HEX CAP	M6	2				
709	47	14527053700	LOCK SET , RH/DOOR	1X1X1	1				
709	4701	14527053710	LOCK ASSY, RH/DOOR	1X1X1	1				
709	4702	14527052720	STRIKER	1X1X1	1				
NOTE									

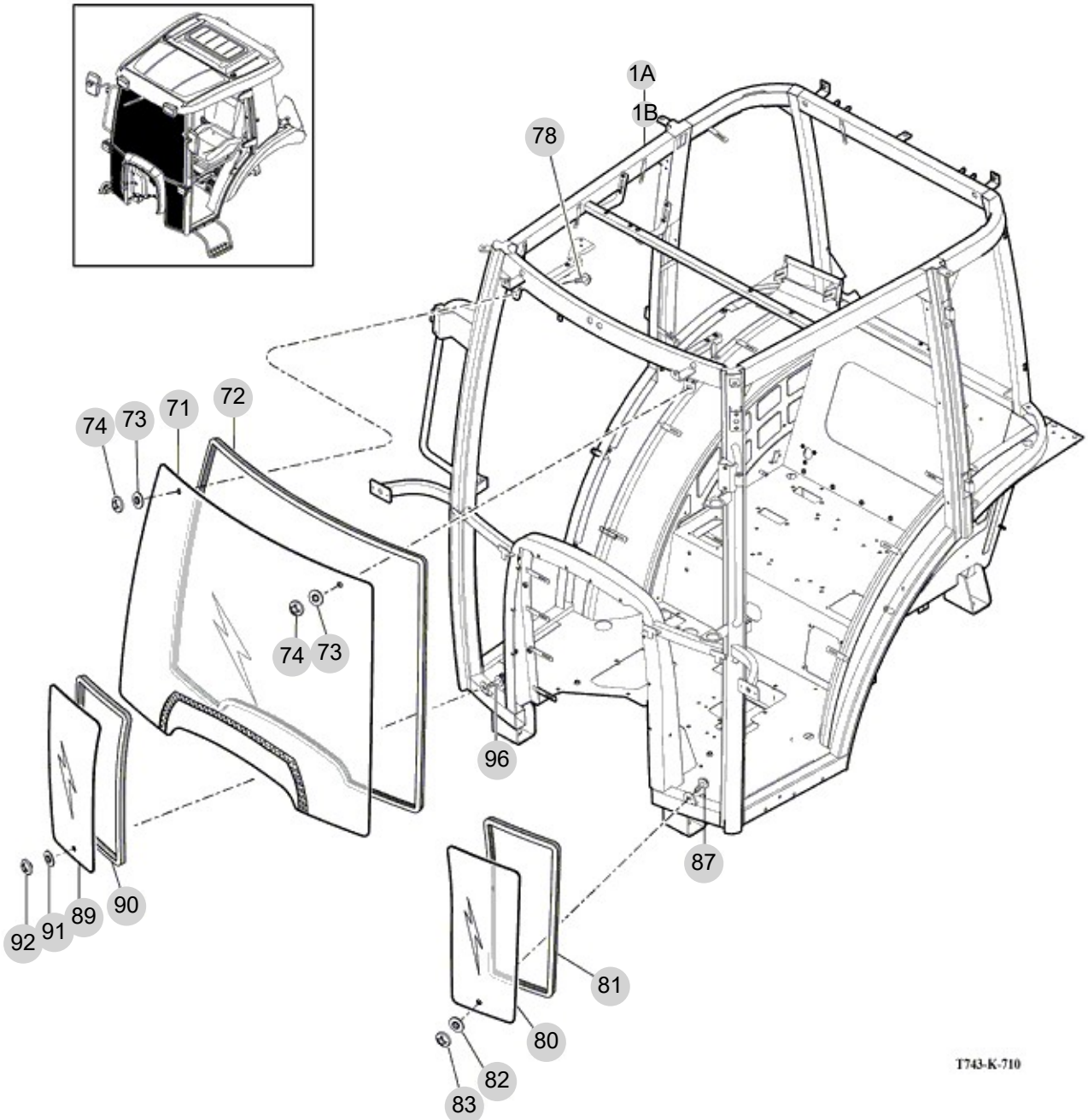
FIG 710

T654SMEUA

FRONT GLASS

년/월
Year/Month

2022-12



NOTE

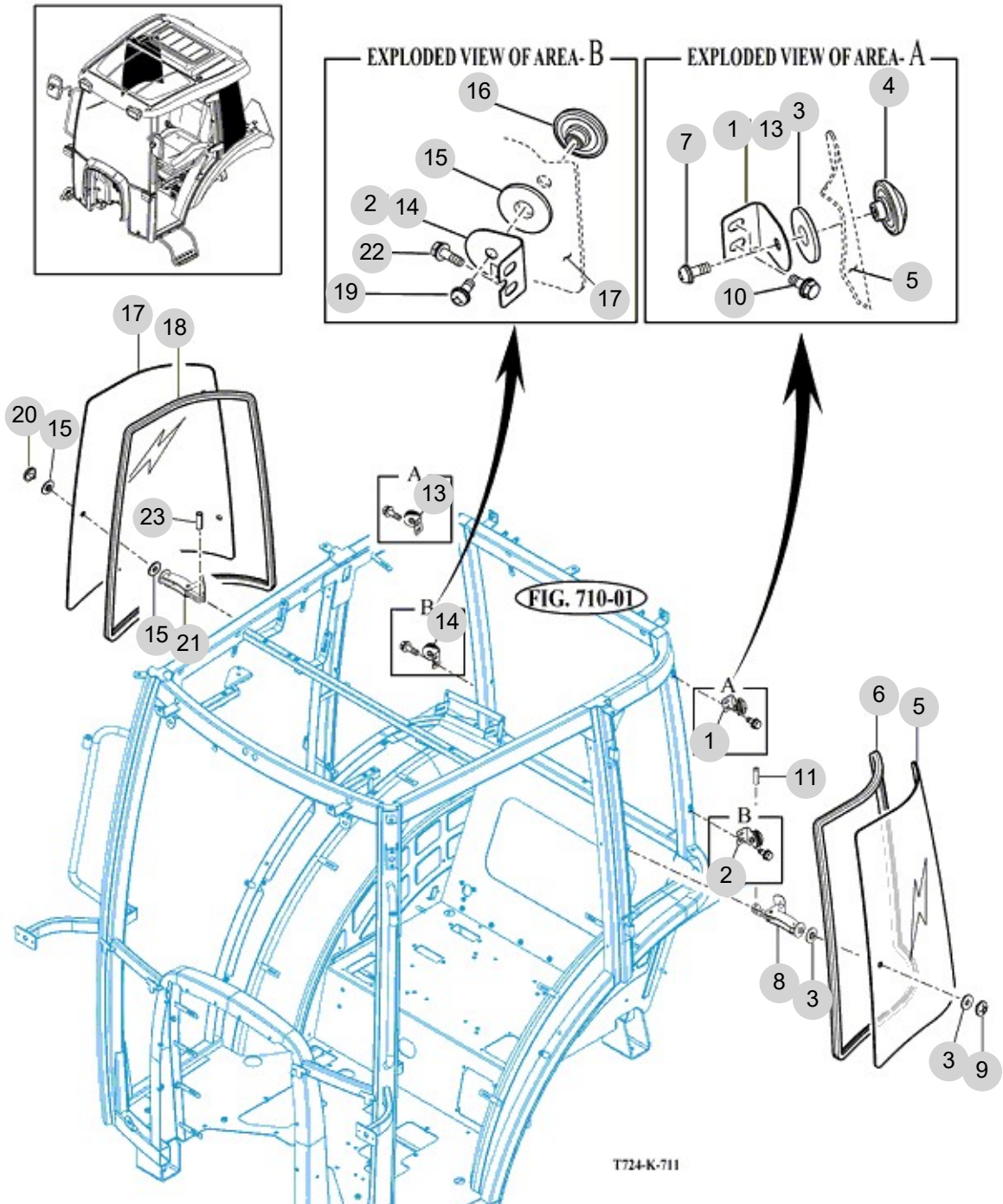
FIG 711

T654SMEUA

SIDE GLASS

년/월
Year/Month

2022-12



NOTE

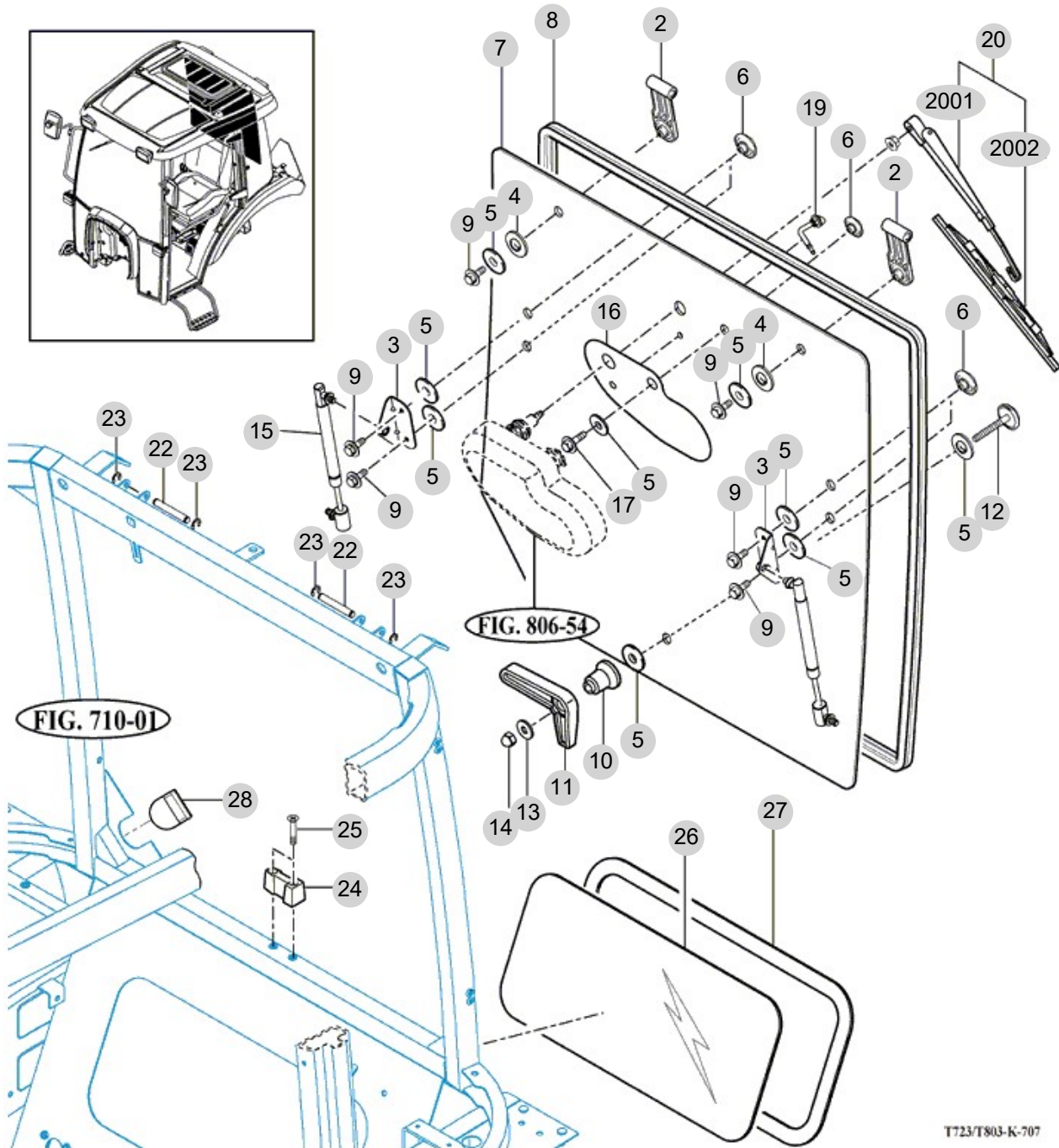
FIG 712

REAR GLASS

년/월
Year/Month

2022-12

T654SMEUA



T723/T803-K-707

NOTE

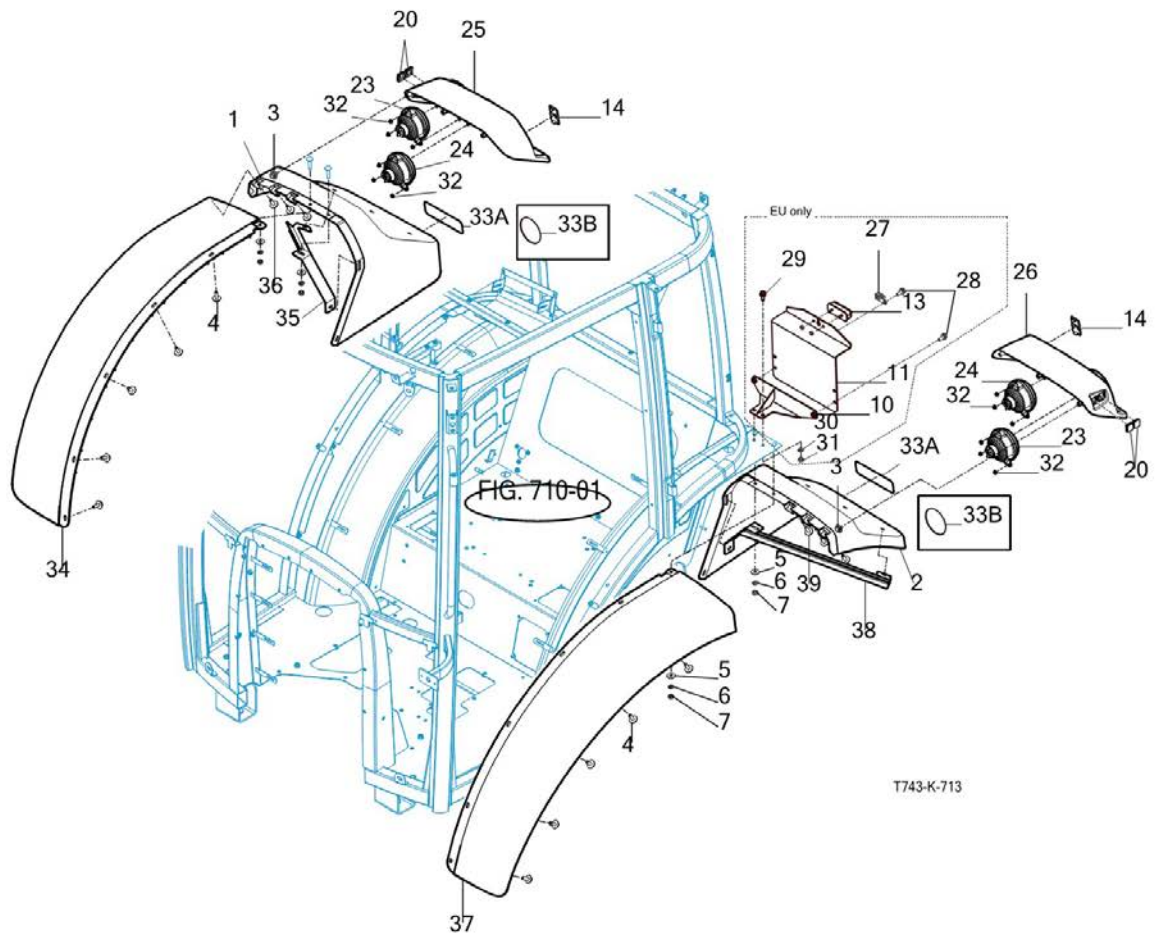
FIG 713

T654SMEUA

SUB FENDER & COVER

년/월
Year/Month

2022-12



T743-K-713

NOTE

FIG 713 T654SMEUA		SUB FENDER & COVER					년/월 Year/Month	
							2022-12	
KEY NO	PART NO	DESCRIPTION	SPEC	QTY	REPAIR	EFFECTIVE DATE	REMARKS	
713	1	18017064011SR	FENDER , RH		1			
713	1	18017064012SR	FENDER , RH		1			
713	1	11447064020SR	FENDER , RH		1			
713	2	18017063011SR	FENDER , LH		1			
713	2	18017063012SR	FENDER , LH		1			
713	2	11447063020SR	FENDER , LH		1			
713	3	V2193606012	BOLT , HEX/SPL	M6X12	12			
713	4	V2193606020	BOLT , HEX/SPL	M6X20	10			
713	5	16997013020	WASHER , EVAPORATOR COVER		8			
713	6	V4011600060	WASHER , SPRING	M6	8			
713	7	V3012600060	NUT , HEX/2	M6	8			
713	10	18017015501GB	BRACKET COMP , NUMBER PLATE		1			
713	11	13607010012GB	NUMBER PLATE		1			
713	13	14887024000	LAMP ASSY , NUMBER PLATE		1			
713	14	14527063311	CAP,SWITCH		2			
713	14	14527063311	CAP,SWITCH		1			
713	20	19156460020	PLUG , SWITCH		4			
713	23	11447023300	LAMP ASSY , RR COMBINATION		2			
713	24	13367023400	LAMP ASSY , STOP		1			
713	24	11447023400	LAMP ASSY , STOP		2			
713	25	10017064022	COVER , LAMP/RH		1			
713	25	10017064023	COVER , LAMP/RH		1			
713	25	10017064024	COVER , LAMP/RH		1			
713	26	10017063025	RAMP COVER , LH		1			
713	26	10017063022	COVER , LAMP/LH		1			
713	26	10017063023	COVER , LH/LAMP		1			
713	26	10017063024	COVER , LH/LAMP		1			
713	26	10017063025	RAMP COVER , LH		1			
713	27	14256210040	CLAMP , 9		1			
713	28	V2183608020	BOLT , HEX/SP		2			
713	29	V2183608025	BOLT , HEX/SP		2			
713	30	V4011600080	WASHER , SPRING		2			
713	31	V3042600080	NUT , HEX/2		2			
713	32	V3802600060	NUT , HEX FLANGE	M6	12			
713	33A	15896571000	REAR REFLECTOR		2			
713	33B	11446571000	REAR REFLECTOR		2			
713	34	11447064100SR	FENDER , RH		1			
713	35	11447052000GB	BRACKET COMP, EXTENTION COVER/LH		1			
713	36	V2193606020	BOLT , HEX/SPL	M6X20	3			
713	37	11447063100SR	FENDER , LH FORNT		1			
713	38	11447051000GB	BRACKET COMP, EXTENTION COVER/LH		1			
713	39	V2193606020	BOLT , HEX/SPL	M6X20	3			
NOTE								

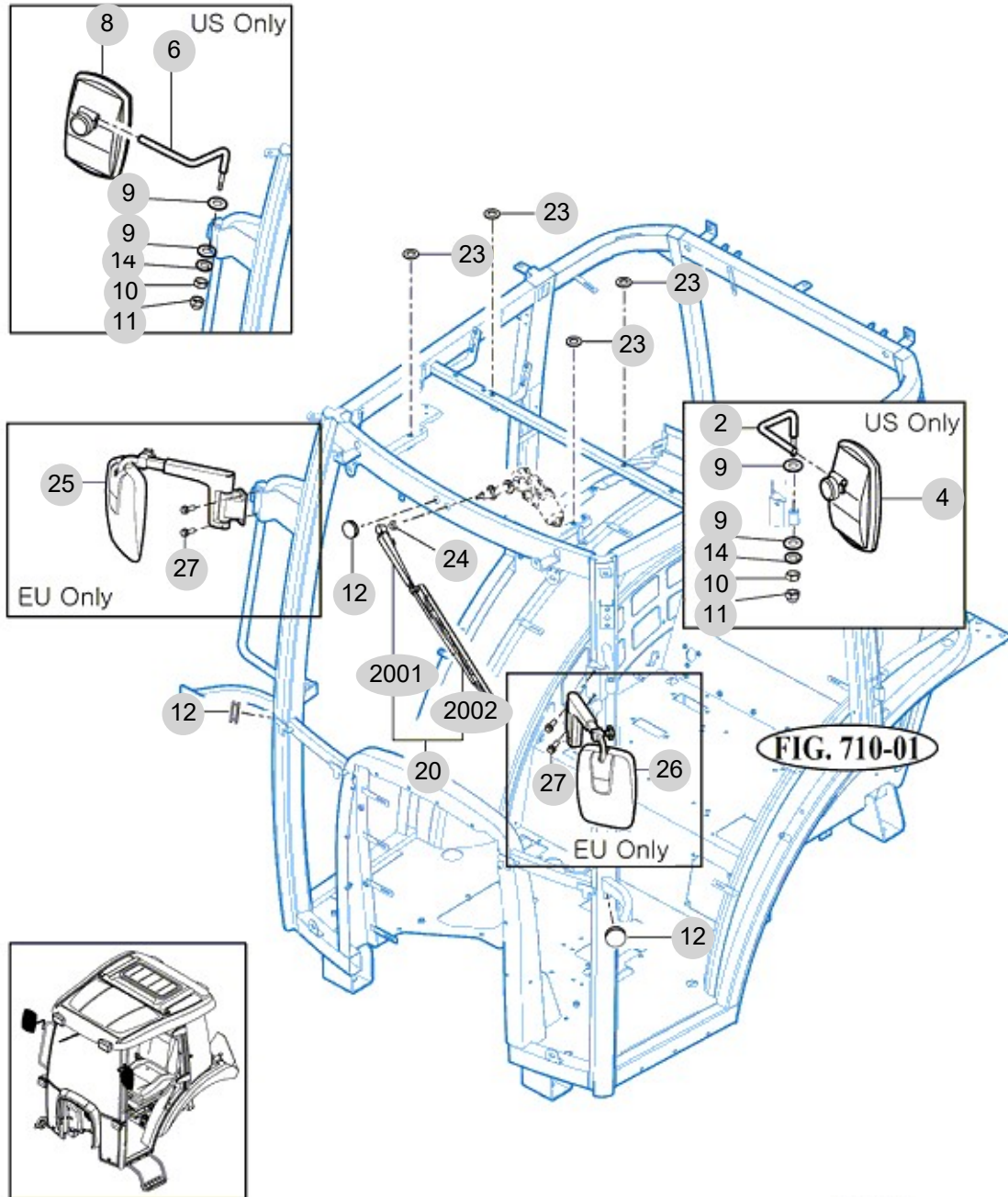
FIG 714

T654SMEUA

MIRROR

년/월
Year/Month

2022-12



NOTE

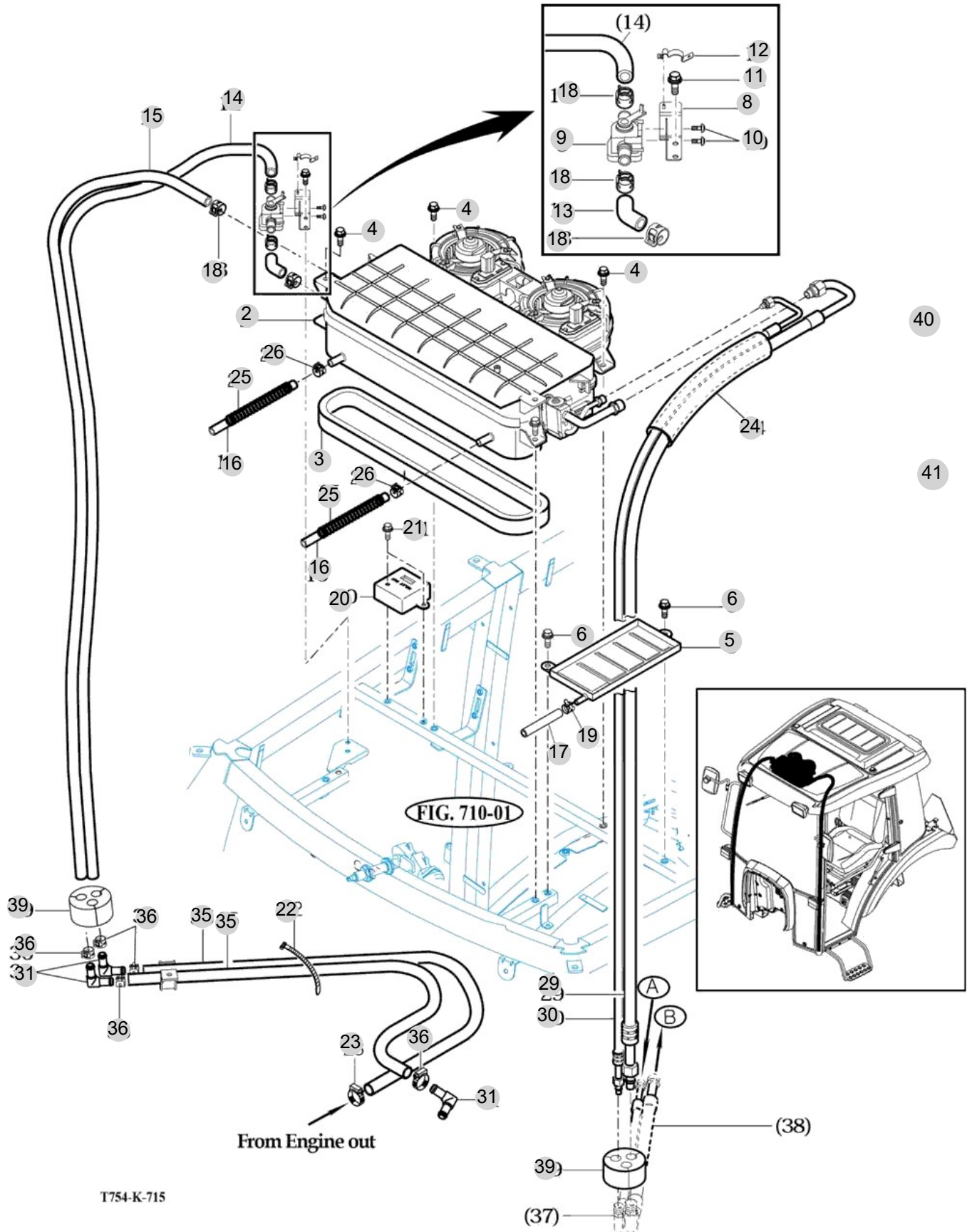
FIG 715

HEATER & AIR-CON

년/월
Year/Month

2022-12

T654SMEUA



NOTE

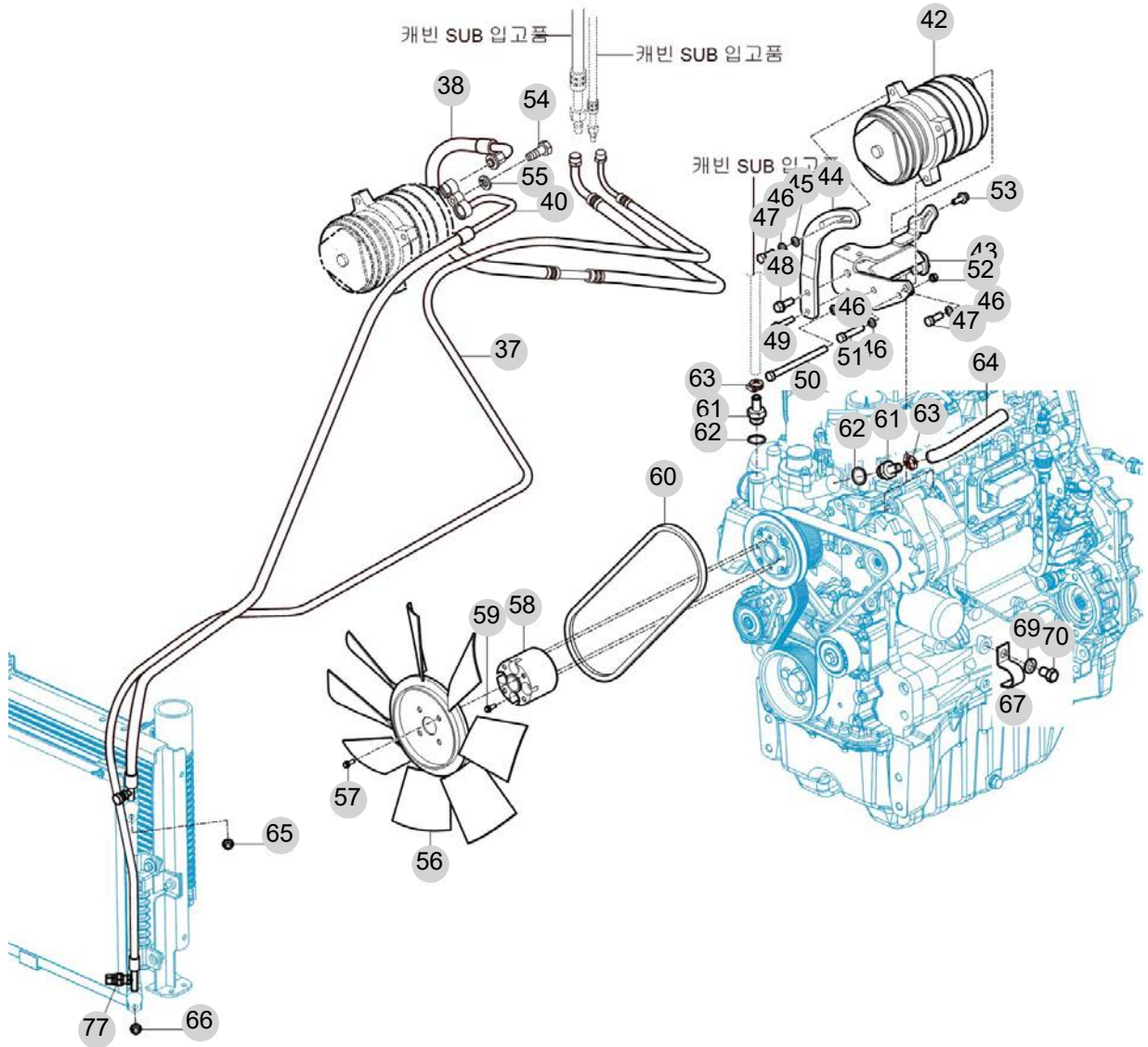
FIG 715-2

T654SMEUA

HEATER & AIR-CON

년/월
Year/Month

2022-12



NOTE

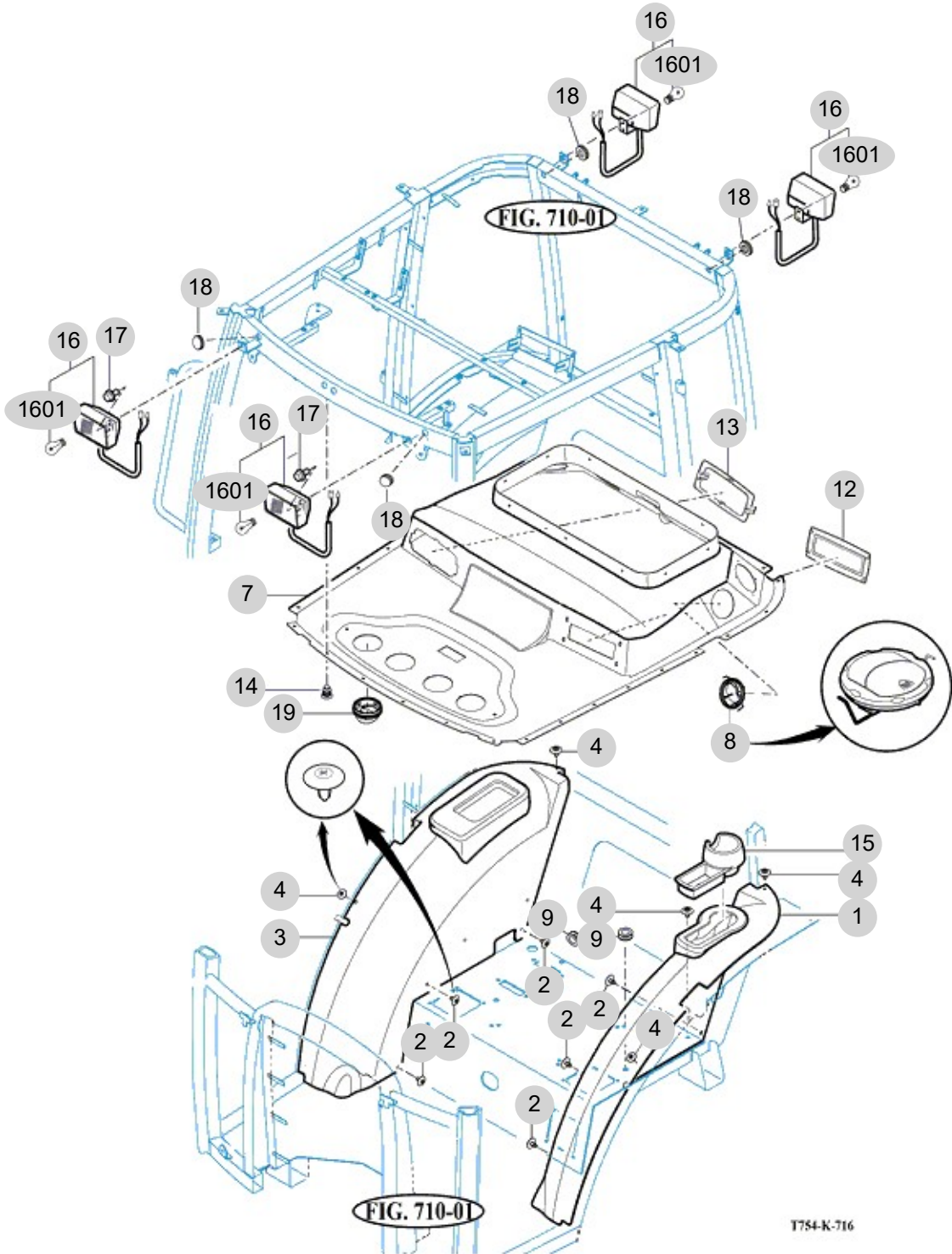
FIG 716

T654SMEUA

FENDER COVER

년/월
Year/Month

2022-12



T754-K-716

NOTE

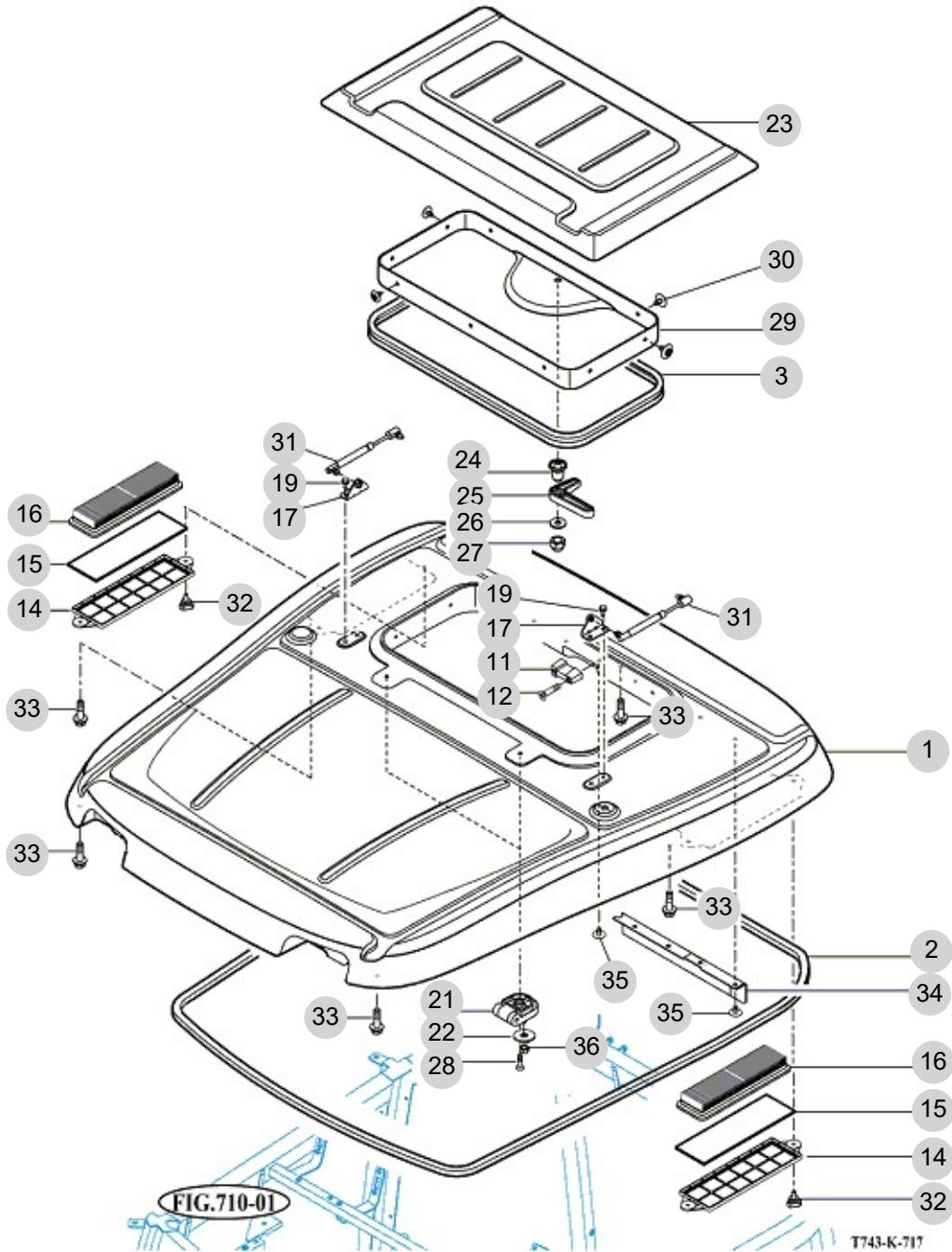
FIG 717

T654SMEUA

ROOF

년/월
Year/Month

2022-12



NOTE

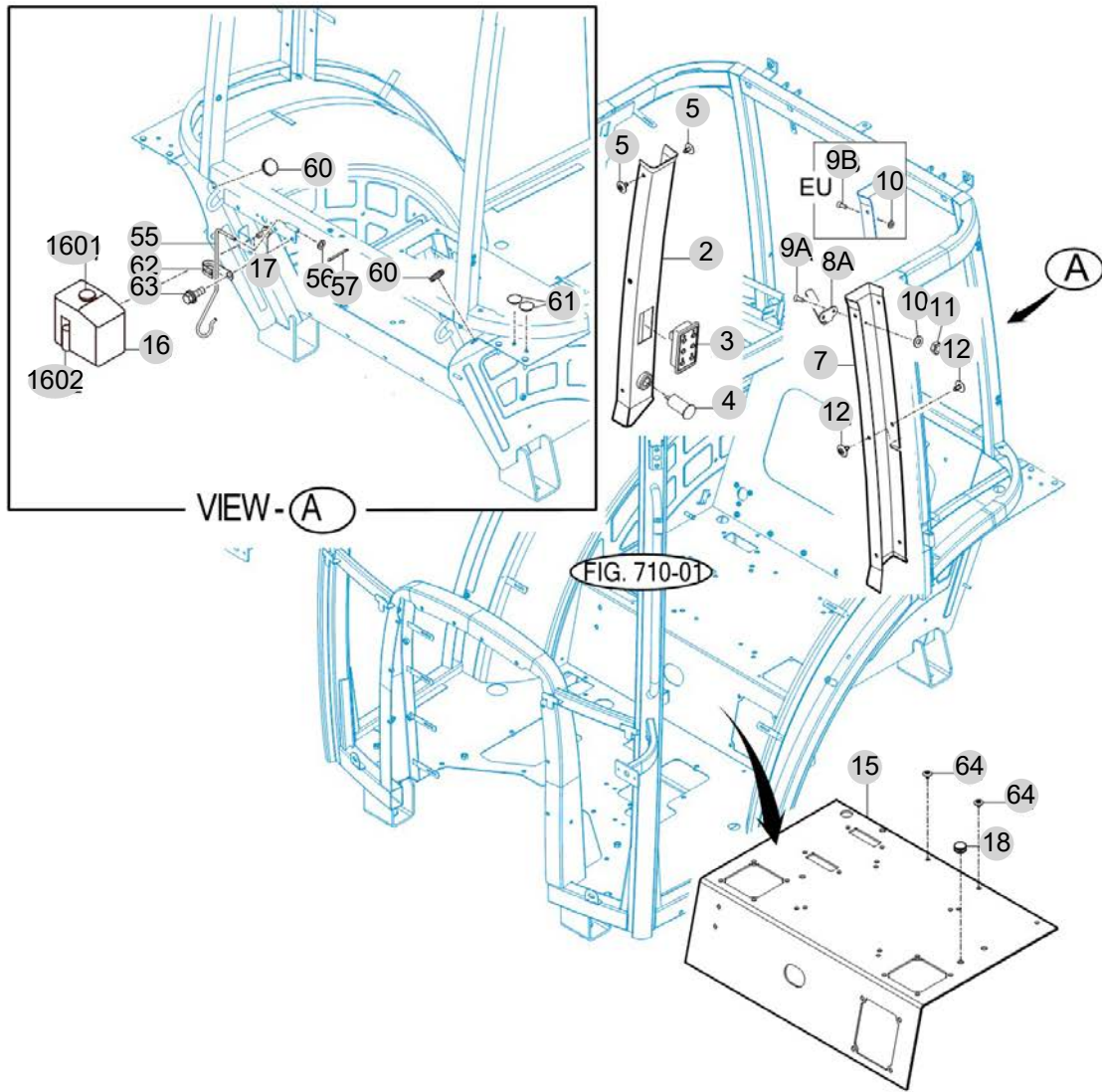
FIG 718

CABIN INTERIOR

년/월
Year/Month

2022-12

T654SMEUA



T654-K-718

NOTE

8. Electrical System PART NO. T8

FIG 801 BATTERY & MOUNTING	226
FIG 802 HARNESS	228
FIG 803 LIGHT & BACK LAMP	230
FIG 804 INSTRUMENT PANEL	232
FIG 805 ELECTRIC SYSTEM (1)	234
FIG 806 ELECTRIC SYSTEM (2)	236

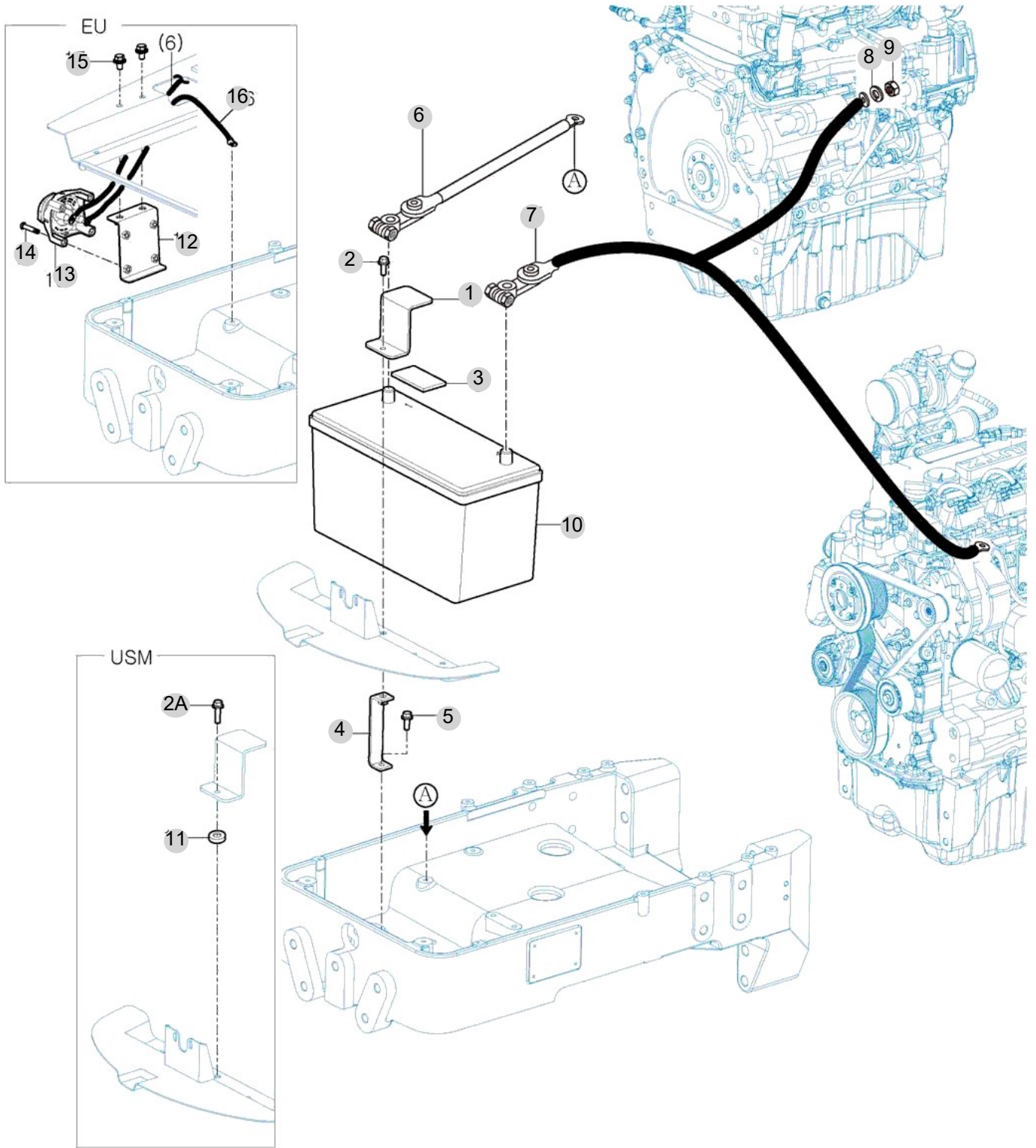
FIG 801

BATTERY & MOUNTING

년/월
Year/Month

2022-12

T654SMEUA



NOTE

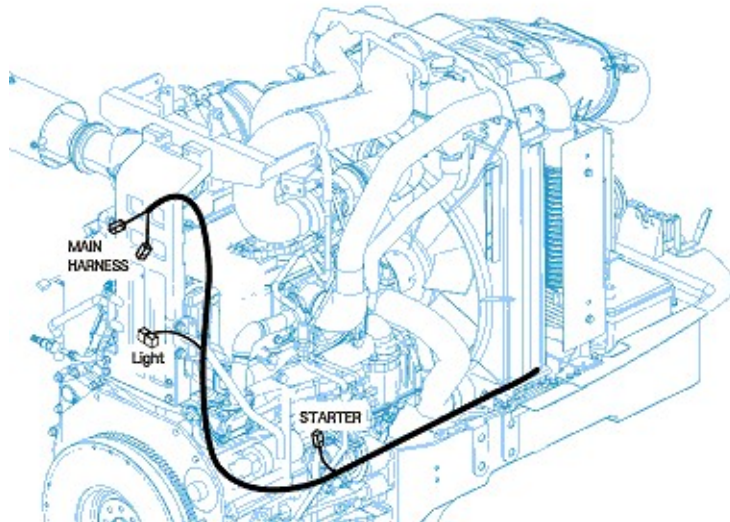
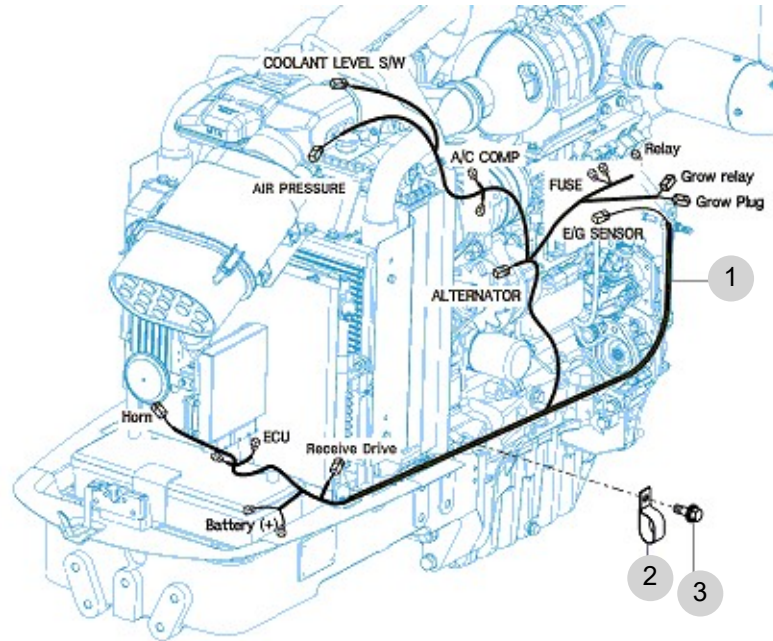
FIG 802

HARNESS

년/월
Year/Month

2022-12

T654SMEUA



NOTE

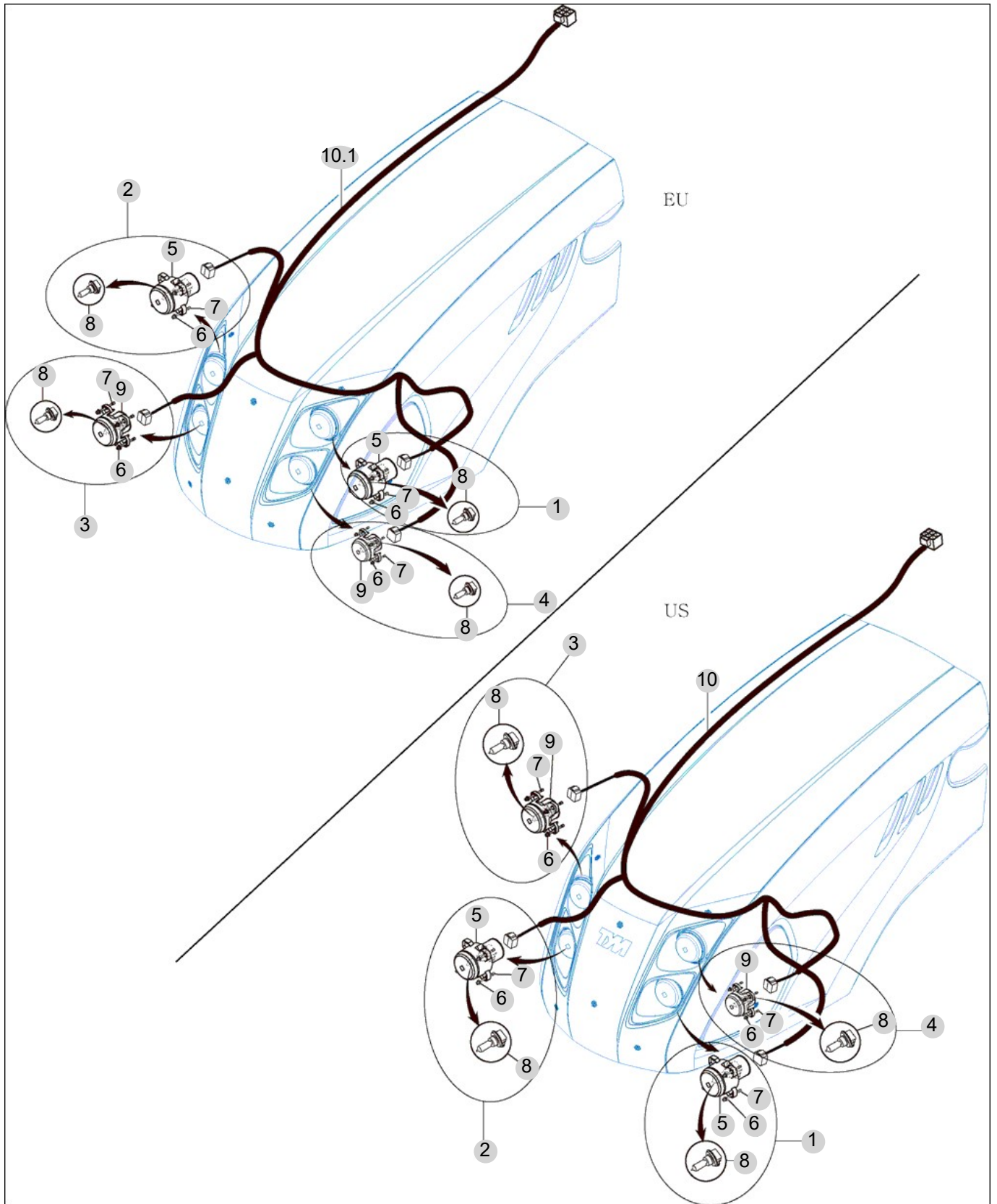
FIG 803

LIGHT & BACK LAMP

년/월
Year/Month

2022-12

T654SMEUA



NOTE

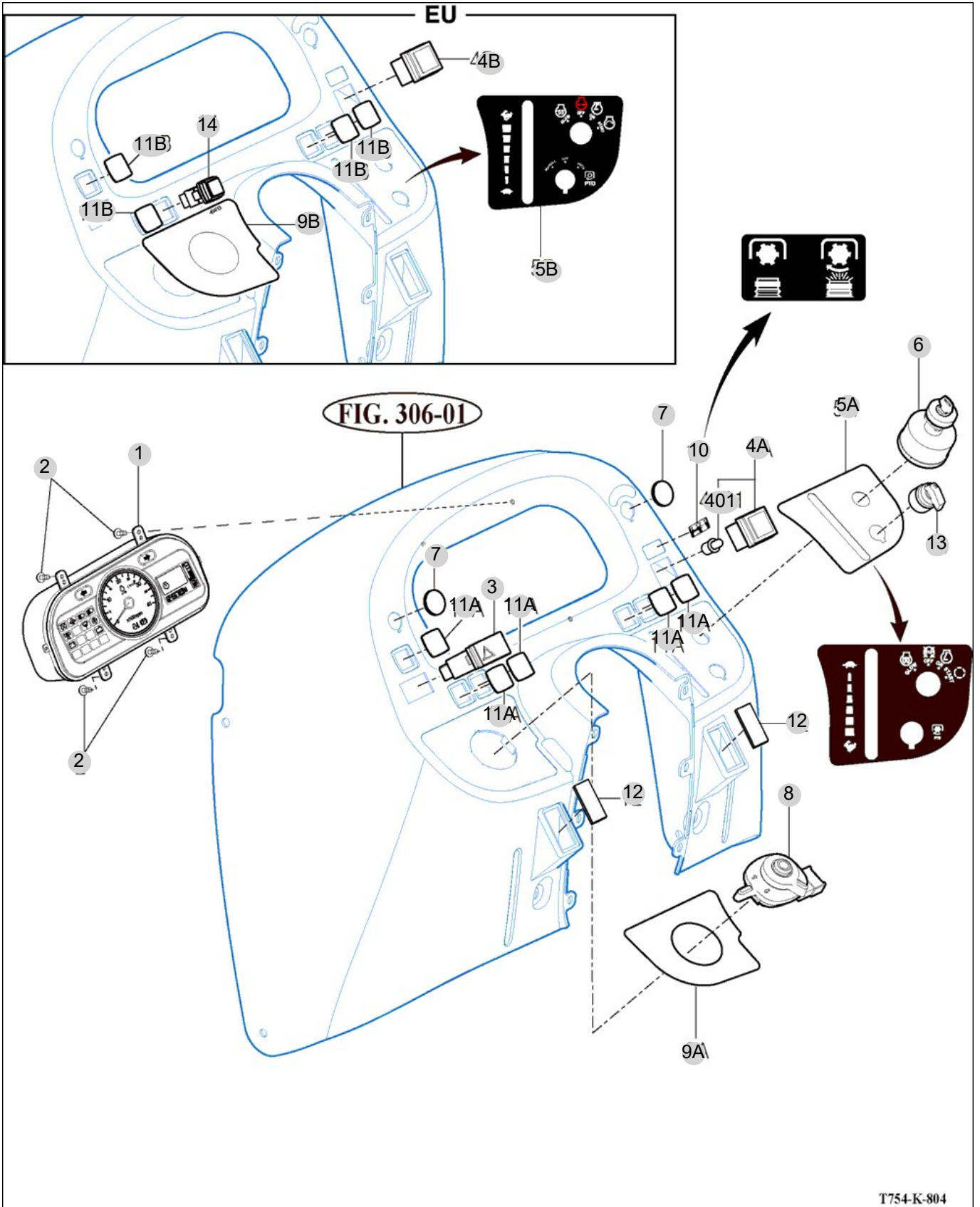
FIG 804

INSTRUMENT PANEL

년/월
Year/Month

2022-12

T654SMEUA



T754-K-804

NOTE

FIG 805

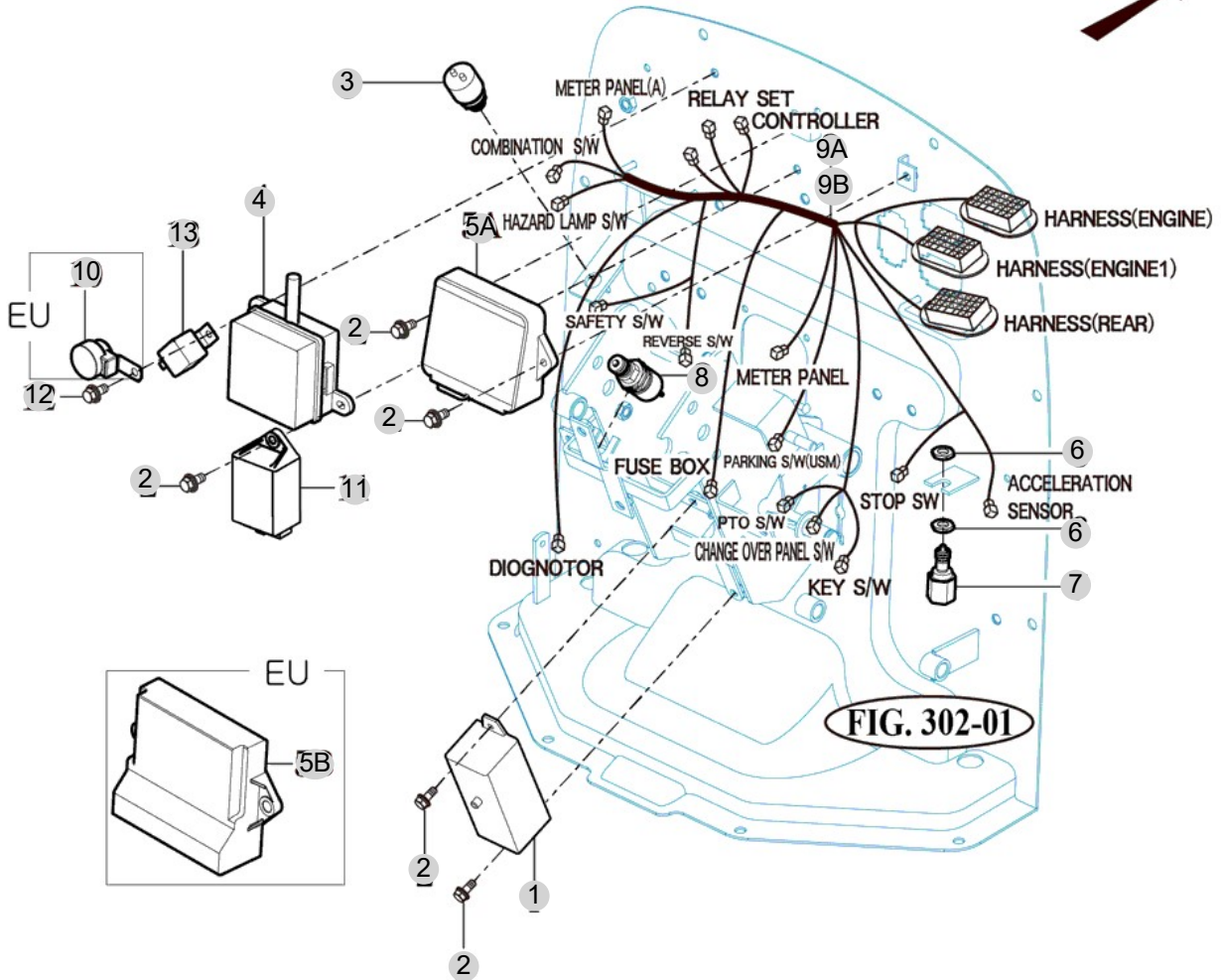
ELECTRIC SYSTEM (1)

년/월
Year/Month

2022-12

T654SMEUA

Forward



T754-K-805

NOTE

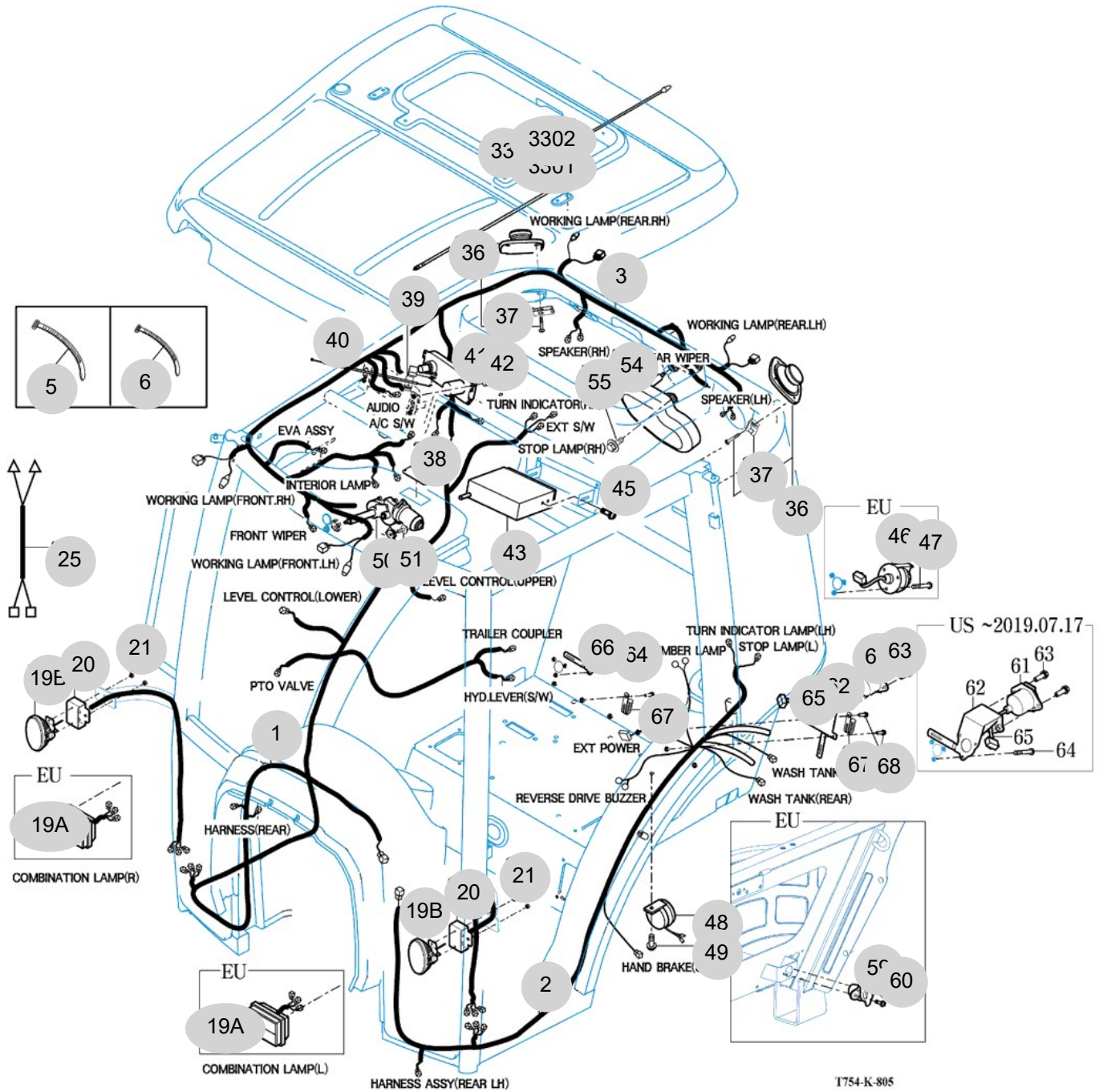
FIG 806

ELECTRIC SYSTEM (2)

년/월
Year/Month

2022-12

T654SMEUA



T754-K-805

NOTE

FIG 806 T654SMEUA		ELECTRIC SYSTEM (2)					년/월 Year/Month	
							2022-12	
KEY NO	PART NO	DESCRIPTION	SPEC	QTY	REPAIR	EFFECTIVE DATE	REMARKS	
806	1	18016683102	HARNESS ASSY , REAR			1		
806	1	18016683103	HARNESS ASSY , REAR			1		
806	1	18016683104	HARNESS ASSY , REAR			1		
806	1	18016683105	HARNESS ASSY , REAR			1		
806	1	18016683106	HARNESS ASSY , REAR			1		
806	2	18016683201	HARNESS ASSY , REAR LH			1		
806	2	18016683201	HARNESS ASSY , REAR LH			1		
806	2	18016683202	HARNESS ASSY , REAR LH			1		
806	2	18016683203	HARNESS ASSY , REAR LH			1		
806	2	18016683204	HARNESS ASSY , REAR LH			1		
806	3	14527024905	HARNESS ,CABIN			1		
806	3	14527024906	HARNESS ,CABIN			1		
806	5	13424020060	CABLE TIE , 300	1X1X1		5		
806	6	13764020030	CABLE TIE , 140			5		
806	19A	13606562000	LAMP , POSITION			2		
806	19B	11446562001	LAMP ASSY , FR TURN SIGNAL			2		
806	20	18026562000GB	BRACKET COMP , SIDE LAMP			2		
806	21	V3802600050	NUT , HEX FLANGE	M5		4		
806	25	11446682120	HARNESS ASSY, LAMP CONECT			2		
806	33	14527072300	ANTENNA ASSY	1X1X1		1		
806	3301	14527072310	ANTENNA	1X1X1		1		
806	3302	V1907004020	SCREW , TAPPING C/R PAN	M4X20		2		
806	36	14527025501	SPEAKER ASSY			2		
806	37	14527073120	SPRING NUT, SCREW	M4		8		
806	38	16997024500	LAMP ASSY , ROOM	12V 10W		1		
806	39	17687025300	CLIP , CABLE	1X1X1		1		
806	40	14527082230	CABLE ASSY, WATER VALVE	1X1X1		1		
806	41	14527082220	CONTROLLER ASSY, AIR CON	1X1X1		1		
806	42	V1112605012	SCREW , C/R PAN	M5X12		4		
806	43	17817024804	CD PLAYER ASSY			1		
806	45	V1222605016	SCREW , C/R PAN/SP	M5X16		2		
806	46	13267028202	SOCKET ASSY , TRAILER			1		
806	47	V1112605030	SCREW , C/R PAN	M5X30		3		
806	48	34522812402	BUZZER ASSY			1		
806	49	V2183608020	BOLT , HEX/SP	M8X20		1		
806	50	14527062600	MOTOR ASSY, FR/ WIPER	1X1X1		1		
806	50	14527062600	MOTOR ASSY, FR/ WIPER			1		
806	50	14527062601	MOTOR ASSY, FR/ WIPER			1		
806	51	V2193606020	BOLT , HEX/SPL	M6X20		1		
806	54	16997032000	MOTOR ASSY , WIPER			1		
806	54	16997032000	MOTOR ASSY , WIPER			1		
806	54	16997032001	MOTOR ASSY , WIPER			1		
806	55	V2193606020	BOLT , HEX/SPL	M6X20		1		
806	59	18717028201	POWER SOCKET ASSY			1		
806	60	V1222805016	SCREW , C/R PAN/SP	M5X16		2		
NOTE								

9. Label/Option PART NO. T9

FIG 901 TOOL & ACCESSORY	240
FIG 902 WEIGHT	242
FIG 903 LABEL	244
FIG 903 LABEL	246

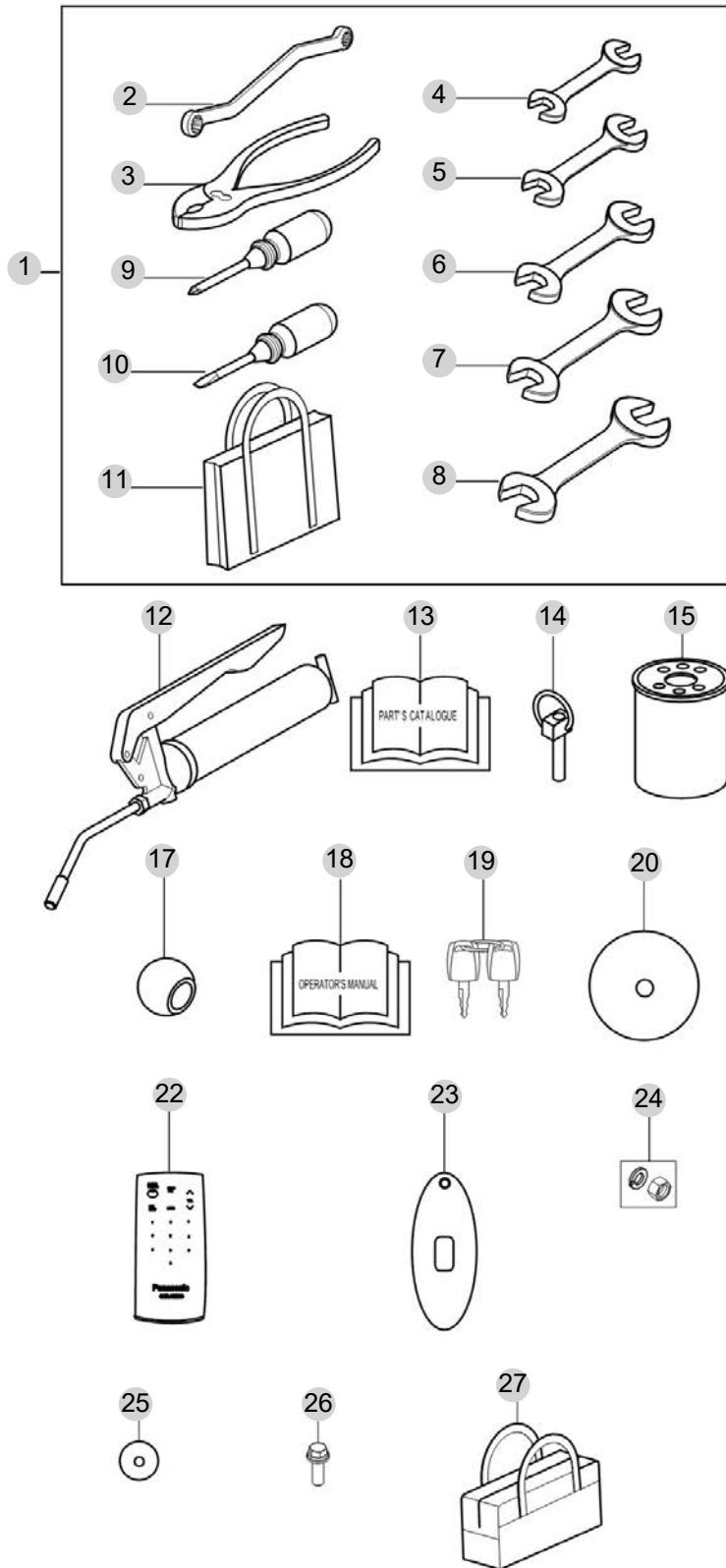
FIG 901

T654SMEUA

TOOL & ACCESSORY

년/월
Year/Month

2022-12



NOTE

FIG 902

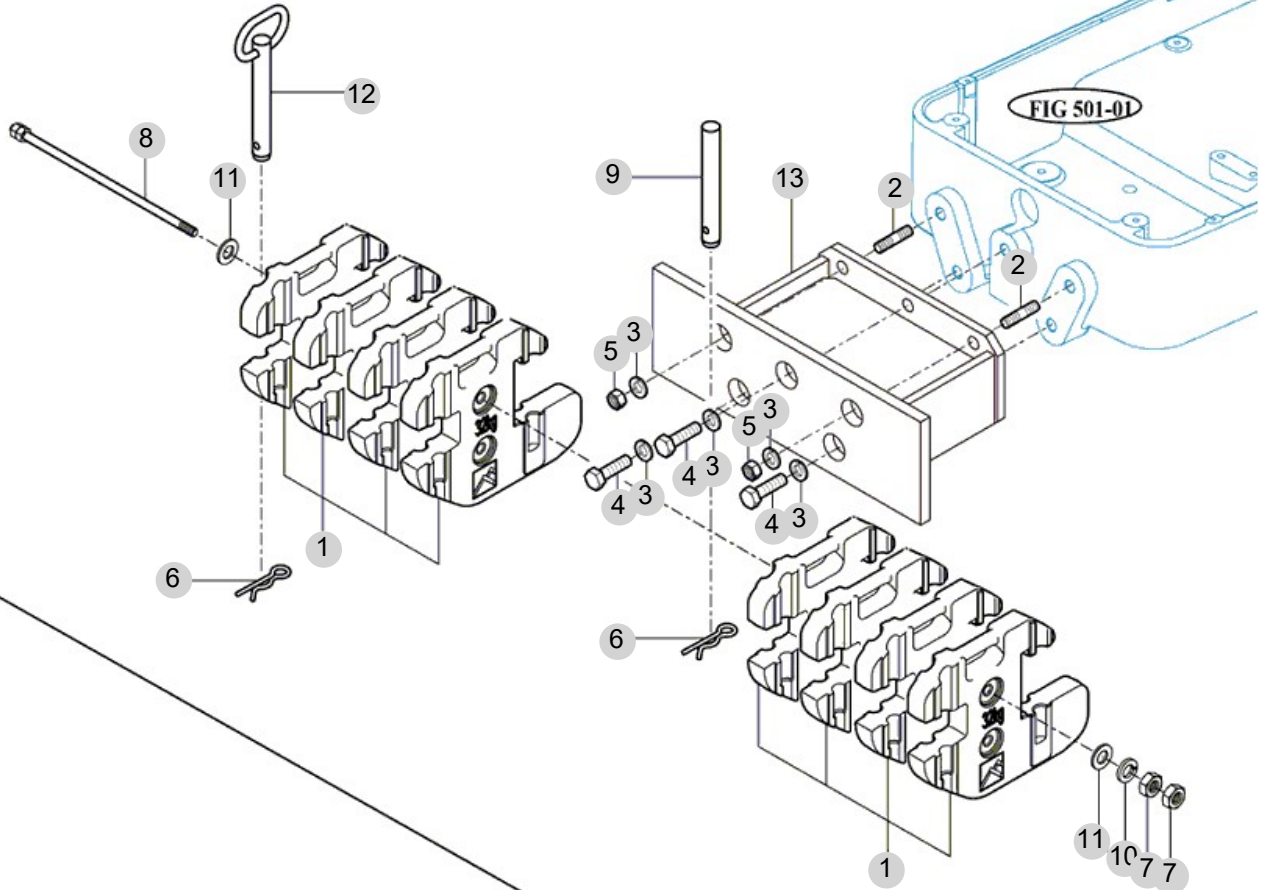
T654SMEUA

WEIGHT

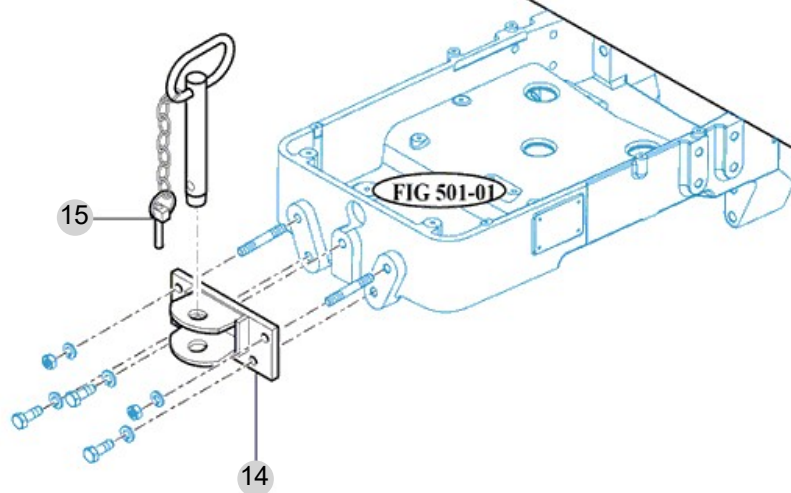
년/월
Year/Month

2022-12

(WEIGHT)



(TOWING HOOK)



NOTE

FIG 903

LABEL

년/월
Year/Month

T654SMEUA

2022-12

Inner/Outer air Ventilation

- When grills of rear and both sides are opened, inner air will ventilate in.
- For effective use, open it when operate heater or air conditioner and close when ventilate fresh air.

1200-904-122-1

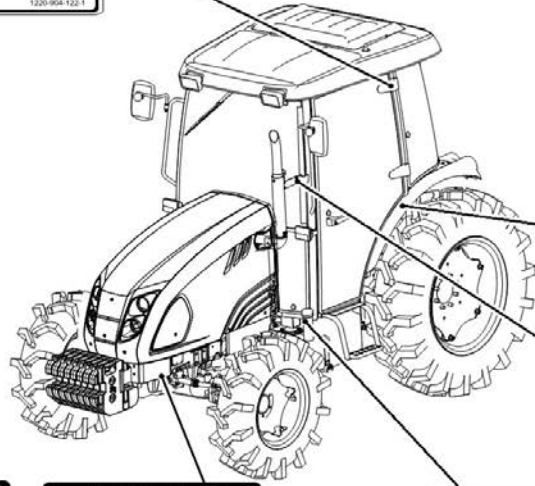
18

T654

51

TYM

90



⚠ DANGER

Do not ride except operator.

1200-910-016-0

6

⚠ CAUTION

Do not touch while the system is hot. It cause serious burns

1200-910-024-6

33



32B

TYM CORPORATION

HSR02 7071

DATE APPROVAL ISSUE

CATEGORY	TOTAL		
	A1	A2	A3
T-1	12	18	12
B-1	12	18	12
B-2	12	18	12
B-3	12	18	12
B-4	12	18	12

Manufactured by TYM CORPORATION

32A

⚠ WARNING

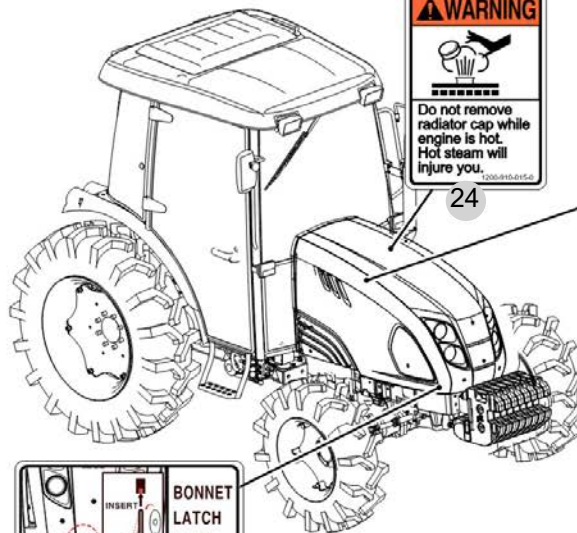
Do not refuel the tractor while smoking or near naked flame or sparks. always stop engine before refueling tractors.

1200-910-025-6

17



87



⚠ WARNING

Do not remove radiator cap while engine is hot. Hot steam will injure you.

1200-910-017-6

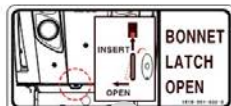
24

⚠ CAUTION

Keep hands and clothing away from rotating fan and belts to prevent serious injury.

1200-910-012-0

23



88

NOTE

FIG 903 T654SMEUA		LABEL					년/월 Year/Month	
							2022-12	
KEY NO	PART NO	DESCRIPTION	SPEC	QTY	REPAIR	EFFECTIVE DATE	REMARKS	
903	2A	15709010030	LABEL , SPEED			1		
903	2B	15729010030	LABEL , SPEED			1		
903	3	12009100030	LABEL , WARNING EXHAUST	1X1X1		1		
903	4	12009100010	LABEL , WARNING SUB SHIFTER	1X1X1		1		
903	6	12009100160	LABEL , DANGER RIDING	1X1X1		1		
903	8	12009100190	LABEL , WARNING BELT	1X1X1		1		
903	9	12009100210	LABEL , WARNING THROTTLE	1X1X1		1		
903	10	17689200050	LABEL , DIFF			1		
903	11	12009100020	LABEL , WARNING PARKING	1X1X1		1		
903	12	12009100060	LABEL , WARNING DIFF	1X1X1		1		
903	13	12009100040	LABEL , WARNING STOP VALVE	1X1X1		1		
903	14	12009100111	LABEL , DANGER AIR CONDITIONER			1		
903	15	12009100070	LABEL , WARNING BRAKE	1X1X1		1		
903	16	12009100080	LABEL , WARNING TILTING	1X1X1		1		
903	17	12009100050	LABEL , WARNING FIRE	1X1X1		1		
903	18	12209041221	LABEL , VENTILATION	T=0.05		1		
903	19	12009100140	LABEL , WARNING DRAW	1X1X1		1		
903	20	12009100130	LABEL , DANGER PTO	1X1X1		1		
903	21	12149020110	LABEL , EMERGENCY EXIT	1X1X1		1		
903	23	12009100120	LABEL , CAUTION FAN	1X1X1		2		
903	24	12009100150	LABEL , WARNING RADIATOR	1X1X1		1		
903	26	12009100230	LABEL , CAUTION OPERATION	T=0.05		1		
903	32A	15829040220	LABEL , MODEL/EU			1		
903	32B	15719049201	LABEL , PRODUCT/CONTENTS			1		
903	33	12009100240	LABEL , CAUTION MUFFLER	1X1X1		1		
903	40	19959040250	LABEL , CREEPER/4WD	1X1X1		1		
903	42	15739045040	LABEL , CABIN			1		
903	43	18029040260	LABEL , DRAWBAR NAME			1		
903	51	15709010042	MARK , /T654			2		
903	51	15709010041	MARK, ORNAMENT(T654)			2		
903	79	18015300041	LABEL , HYDRAULIC CAUTION			1		
903	80	12609040620	LABEL , STARTING WARNING	T=0.05		1		
903	81	16329040020	LABEL , CAUTION GREASE	T=0.05		1		
903	82	19999040070	LABEL , PTO 1-2-3	T=0.05		1		
903	82A	15709040070	LABEL , PTO 1-2-3			1		
903	83	17139100020	LABEL , FUSE			1		
903	84	18029100150	LABEL , RADIATOR			1		
903	85	18711201100	LABEL , ULTRA LOW SULFUR			1		
903	86	18719100310	LABEL , CAUTION LEVER			1		
903	87	13379100150	6YEAR WARRANTY LABEL			1		
903	88	18189010320	LABEL , HOOD			1		
903	90	10789010020	LABEL , /TYM 50			2		
NOTE								

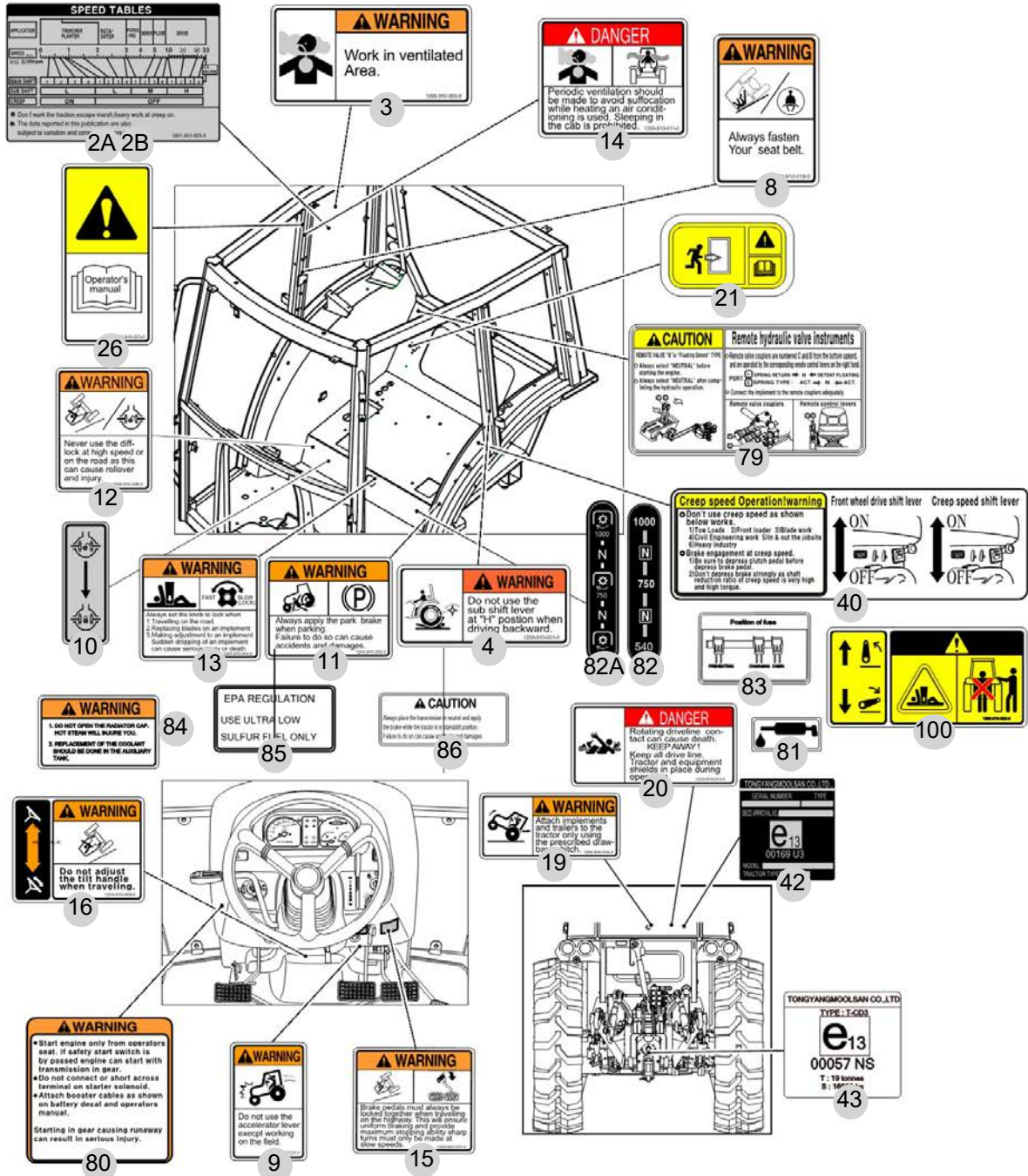
FIG 903

LABEL

년/월
Year/Month

2022-12

T654SMEUA



NOTE

FIG 903 T654SMEUA		LABEL					년/월 Year/Month	
							2022-12	
KEY NO	PART NO	DESCRIPTION	SPEC	QTY	REPAIR	EFFECTIVE DATE	REMARKS	
903	2A	15709010030	LABEL , SPEED			1		
903	2B	15729010030	LABEL , SPEED			1		
903	3	12009100030	LABEL , WARNING EXHAUST	1X1X1		1		
903	4	12009100010	LABEL , WARNING SUB SHIFTER	1X1X1		1		
903	6	12009100160	LABEL , DANGER RIDING	1X1X1		1		
903	8	12009100190	LABEL , WARNING BELT	1X1X1		1		
903	9	12009100210	LABEL , WARNING THROTTLE	1X1X1		1		
903	10	17689200050	LABEL , DIFF			1		
903	11	12009100020	LABEL , WARNING PARKING	1X1X1		1		
903	12	12009100060	LABEL , WARNING DIFF	1X1X1		1		
903	13	12009100040	LABEL , WARNING STOP VALVE	1X1X1		1		
903	14	12009100111	LABEL , DANGER AIR CONDITIONER			1		
903	15	12009100070	LABEL , WARNING BRAKE	1X1X1		1		
903	16	12009100080	LABEL , WARNING TILTING	1X1X1		1		
903	17	12009100050	LABEL , WARNING FIRE	1X1X1		1		
903	18	12209041221	LABEL , VENTILATION	T=0.05		1		
903	19	12009100140	LABEL , WARNING DRAW	1X1X1		1		
903	20	12009100130	LABEL , DANGER PTO	1X1X1		1		
903	21	12149020110	LABEL , EMERGENCY EXIT	1X1X1		1		
903	23	12009100120	LABEL , CAUTION FAN	1X1X1		2		
903	24	12009100150	LABEL , WARNING RADIATOR	1X1X1		1		
903	26	12009100230	LABEL , CAUTION OPERATION	T=0.05		1		
903	32A	15829040220	LABEL , MODEL/EU			1		
903	32A	T0019110060	NAMEPLATE , EU			1		
903	32B	15719049201	LABEL , PRODUCT/CONTENTS			1		
903	33	12009100240	LABEL , CAUTION MUFFLER	1X1X1		1		
903	40	19959040250	LABEL , CREEPER/4WD	1X1X1		1		
903	42	15739045040	LABEL , CABIN			1		
903	43	18029040260	LABEL , DRAWBAR NAME			1		
903	51	15709010041	MARK , ORNAMENT(T654)			2		
903	51	15709010042	MARK , /T654			2		
903	79	18015300041	LABEL , HYDRAULIC CAUTION			1		
903	80	12609040620	LABEL , STARTING WARNING	T=0.05		1		
903	81	16329040020	LABEL , CAUTION GREASE	T=0.05		1		
903	82	19999040070	LABEL , PTO 1-2-3	T=0.05		1		
903	82A	15709040070	LABEL , PTO 1-2-3			1		
903	83	17139100020	LABEL , FUSE			1		
903	84	18029100150	LABEL , RADIATOR			1		
903	85	18711201100	LABEL , ULTRA LOW SULFUR			1		
903	86	18719100310	LABEL , CAUTION LEVER			1		
903	87	13379100150	6YEAR WARRANTY LABEL			1		
903	88	18189010320	LABEL , HOOD			1		
903	100	13839100220	LABEL , WARNING EXT POSITION LEVER			1		
NOTE								