

T654SM

Parts Catalog

목 차

0. TRACTOR KIT PART NO. TK1

FIG 000 TRAILER SOCKET KIT	7
FIG 001 EXTERNAL POSITION LEVER KIT	9

1. Engine PART NO. EG

FIG 01 PRESSURESTAT, FILLER CAP, DIPSTICK, CRANKCASE	12
FIG 02 OIL PAN	14
FIG 05 FASTENINGS, CRANKSHAFT ACCESS, CRANK SHAFT, DYNAMIC BALANCER	16
FIG 06 0512 4003	18
FIG 07 0512 4005	20
FIG 08 0512 4312, 0512 4050, 0512 4246	22
FIG 09 0512 4044, 0512 4320	24
FIG 10 0512 4284	26
FIG 11 0512 4004, 0512 4045, 0512 4046	28
FIG 14 0512 4027	30
FIG 15 0512 4120, 0506 4400, 0512 4000	32
FIG 16 0512 4261	34
FIG 17 0512 4052	36
FIG 19 0512 4047	38
FIG 20 0512 4224	40
FIG 21 0512 4009, 0512 4008, 0512 4299	42
FIG 22 0512 4345, 0512 4392	44
FIG 27 0511 8909	46
FIG 37 0512 4331	48
FIG 38 0512 4055	50
FIG 41 0512 4143, 0512 4058, 0512 4097, 0512 4257	52
FIG 43 0512 4384	54
FIG 44 0512 4062, 0512 4256, 0512 4393, 0512 4400	56
FIG 48-1 0511 7723, 0512 4011, 0512 4098, 0512 4127, 0512 4292	58
FIG 48-2 0512 4128, 0512 4293, 0512 4334, 0512 4338, 0512 4343	60
FIG 51 0512 4060, 0512 4104, 0512 4300, 0512 4329	62

FIG 63 0512 4010	64
FIG 83 0512 4176, 0512 4180, 0512 4251, 0512 4337, 0512 4339, 0512	66
FIG 90 0512 4355	68

2. Engine Accessories PART NO. T2

FIG 201 AIR CLEANER	71
FIG 202 RADIATOR	73
FIG 203 MUFFLER & EXHAUST PIPE	76
FIG 204 FUEL TANK	79
FIG 205 FUEL FILTER & FUEL PUMP	81
FIG 206 BLOCK HEATER	83

3. Clutch/Brake/Steering PART NO. T3

FIG 301 CLUTCH	86
FIG 302 CLUTCH PEDAL	88
FIG 303 BRAKE	91
FIG 304 BRAKE PEDAL & LINK	93
FIG 305 FRONT WHEEL	95
FIG 306 REAR WHEEL	97
FIG 307 POWER STEERING WHEEL	99
FIG 308 POWER STEERING VALVE	101
FIG 309 POWER STEERING CYLINDER	103

4. Transmission PART NO. T4

FIG 401 TRANSMISSION FRONT CASE	106
FIG 402 FORWARD & BACKWARD GEARS	108
FIG 403 CHANGE GEARS	110
FIG 404 REVERSE GEARS	112
FIG 405 P.T.O DRIVE SHAFT	114
FIG 406 MAIN CHANGE LEVER	116
FIG 407 REVERSE CHANGE LEVER	118
FIG 408 TRANSMISSION MID CASE	120
FIG 409 TRANSMISSION REAR CASE	122
FIG 410 SUB CHANGE GEARS	124
FIG 411 SUB CHANGE SHIFTER	126

FIG 412 CREEP CHANGE	128
FIG 413US DRIVE GEARS	130
FIG 414 4WD CHANGE LEVER	132
FIG 415 P.T.O CHANGE GEARS	134
FIG 416 P.T.O CHANGE SHIFTER	136
FIG 417 REAR DIFFERENTIAL GEARS	138
FIG 418 REAR AXLE HOUSING	141

5. Front Axle PART NO. T5

FIG 501 FRONT AXLE SUPPORT	144
FIG 502 FRONT DRIVE SHAFT	146
FIG 503 FRONT AXLE HOUSING	148
FIG 504 FRONT DIFFERENTIAL GEARS	150
FIG 505 FRONT GEAR CASE (1)	152
FIG 506 FRONT GEAR CASE (2)	154
FIG 507 FRONT GEAR CASE (3)	156

6. Hydraulic/3P-Link PART NO. T6

FIG 601 CYLINDER CASE	159
FIG 602 LIFT ARM	161
FIG 603 CYLINDER	163
FIG 604 POSITION LINK	165
FIG 605 CONTROL VALVE	167
FIG 606 DRAFT LINK	169
FIG 607 POSITION & DRAFT LEVER	171
FIG 608 EXTERIOR HYD. VALVE(OPTION_6P)	174
FIG 608 EXTERIOR HYD. VALVE	176
FIG 609 HYDRAULIC PIPE	178
FIG 610 JOYSTICK	180
FIG 611A HITCH & 3-P LINK (US)	182
FIG 612A LOWER LINK & LIFT ROD(US)	185
FIG 613 HYDRAULIC HOSE(US)	187

7. Sheet Metal & Cabin PART NO. T7

FIG 701 HOOD	190
--------------	-----

FIG 702 FRONT FRAME	192
FIG 703 SIDE SUPPORT & FRAME HOOD	194
FIG 704 LEVER COVER & STEP	197
FIG 705 FRONT & REAR MOUNTING	199
FIG 706 SEAT & MAT	201
FIG 709 DOOR	203
FIG 710 FRONT GLASS	206
FIG 711 SIDE GLASS	208
FIG 712 REAR GLASS	210
FIG 713 SUB FENDER & COVER	212
FIG 714 MIRROR	214
FIG 715 HEATER & AIR-CON	216
FIG 715-2 HEATER & AIR-CON	218
FIG 716 FENDER COVER	220
FIG 717 ROOF	222
FIG 718 CABIN INTERIOR	224

8. Electrical System PART NO. T8

FIG 801 BATTERY & MOUNTING	227
FIG 802 HARNESS	229
FIG 803 LIGHT & BACK LAMP	231
FIG 804 INSTRUMENT PANEL	233
FIG 805 ELECTRIC SYSTEM (1)	235
FIG 806 ELECTRIC SYSTEM (2)	237

9. Label/Option PART NO. T9

FIG 901 TOOL & ACCESSORY	241
FIG 903 LABEL	243

0. TRACTOR KIT PART NO. TK1

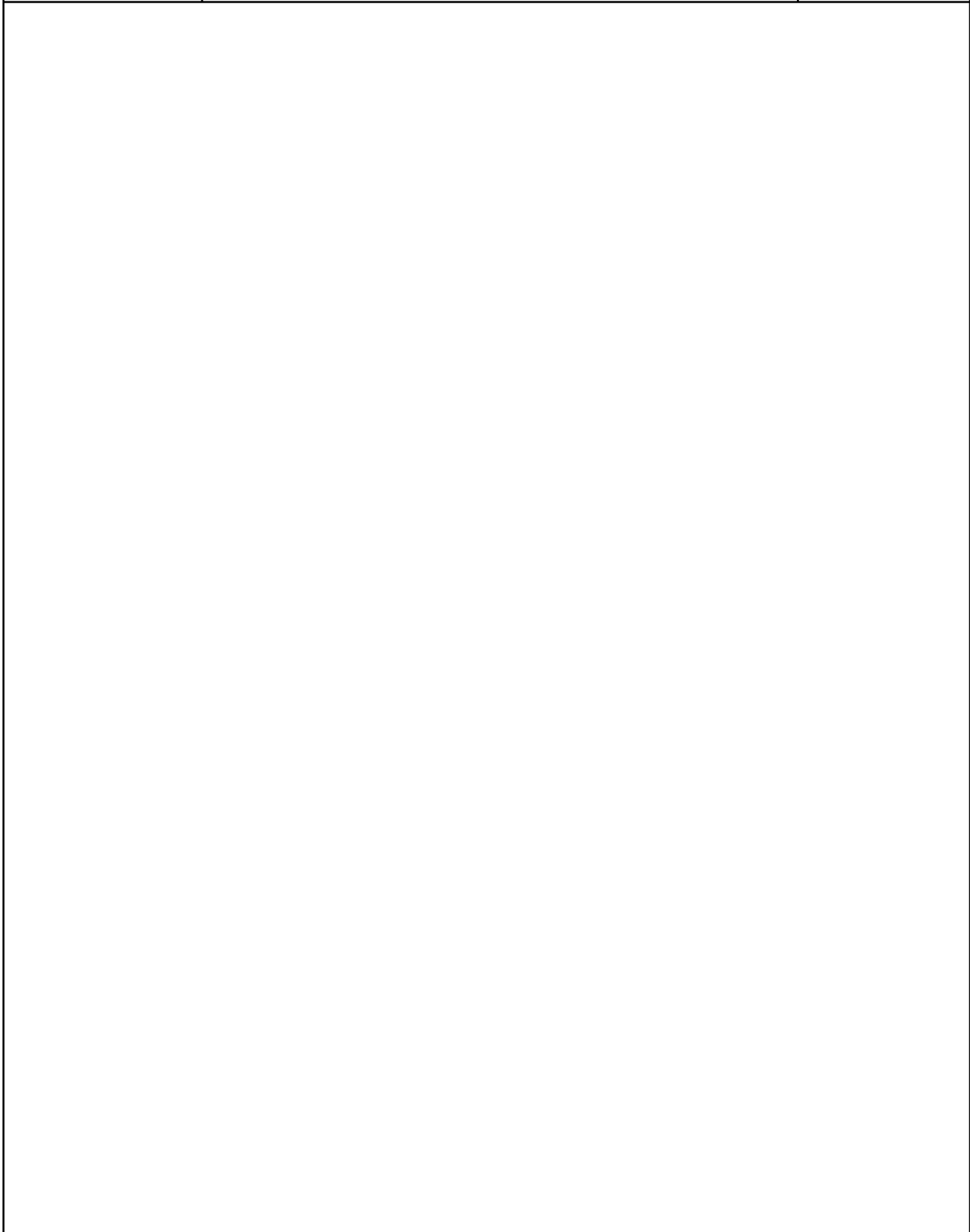
FIG 000 TRAILER SOCKET KIT

7

FIG 001 EXTERNAL POSITION LEVER KIT

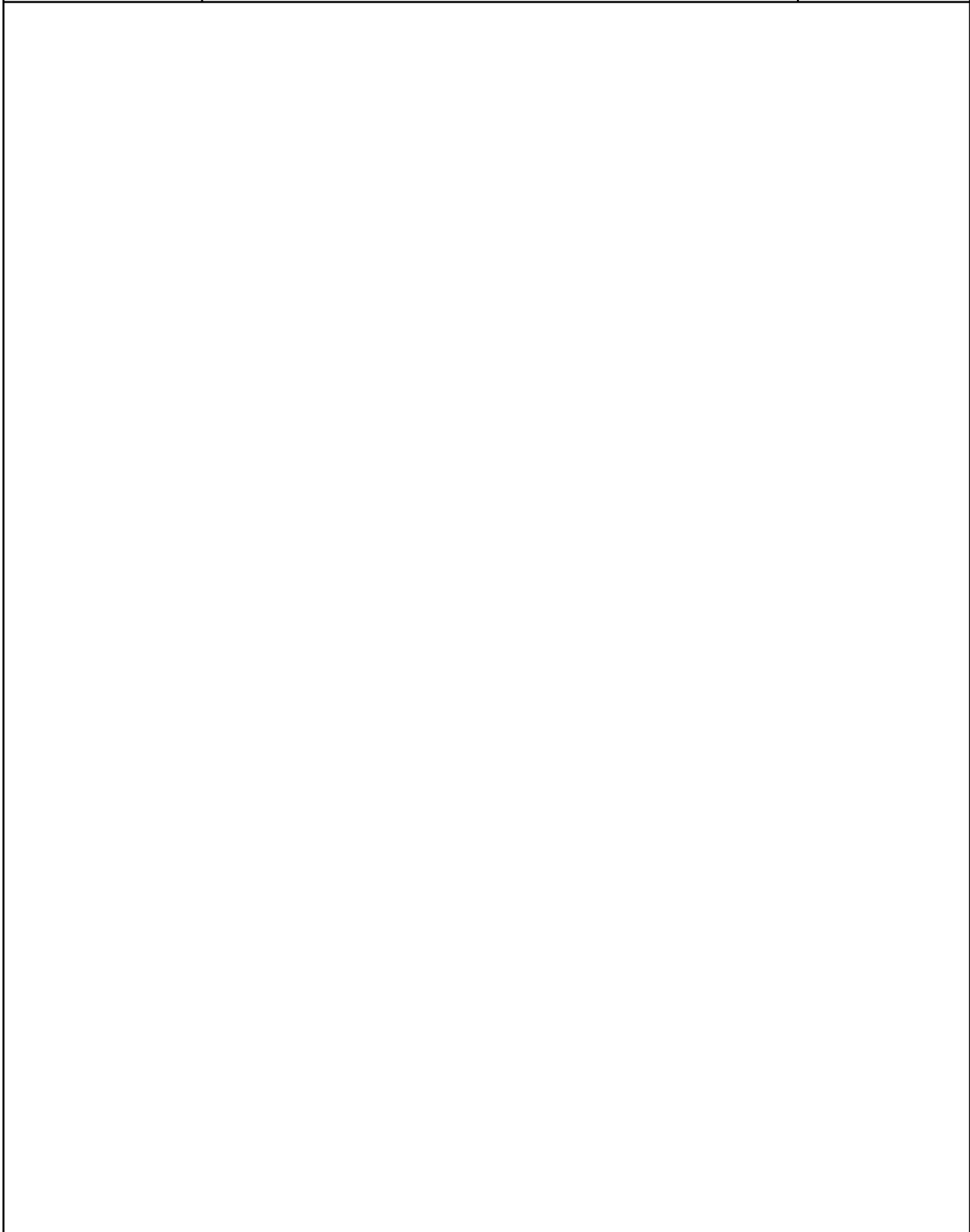
9

FIG 000 T654SM	TRAILER SOCKET KIT	년/월 Year/Month 2022-12
-------------------	--------------------	------------------------------



NOTE	
------	--

FIG 001 T654SM	EXTERNAL POSITION LEVER KIT	년/월 Year/Month 2022-12
-------------------	-----------------------------	------------------------------



NOTE	
------	--

1. Engine PART NO. EG

FIG 01 PRESSUREASTAT, FILLER CAP, DIPSTICK, CRANKCASE	12
FIG 02 OIL PAN	14
FIG 05 FASTENINGS, CRANKSHAFT ACCESS, CRANK SHAFT, DYNAMIC BALANCER	16
FIG 06 0512 4003	18
FIG 07 0512 4005	20
FIG 08 0512 4312, 0512 4050, 0512 4246	22
FIG 09 0512 4044, 0512 4320	24
FIG 10 0512 4284	26
FIG 11 0512 4004, 0512 4045, 0512 4046	28
FIG 14 0512 4027	30
FIG 15 0512 4120, 0506 4400, 0512 4000	32
FIG 16 0512 4261	34
FIG 17 0512 4052	36
FIG 19 0512 4047	38
FIG 20 0512 4224	40
FIG 21 0512 4009, 0512 4008, 0512 4299	42
FIG 22 0512 4345, 0512 4392	44
FIG 27 0511 8909	46
FIG 37 0512 4331	48
FIG 38 0512 4055	50
FIG 41 0512 4143, 0512 4058, 0512 4097, 0512 4257	52
FIG 43 0512 4384	54
FIG 44 0512 4062, 0512 4256, 0512 4393, 0512 4400	56
FIG 48-1 0511 7723, 0512 4011, 0512 4098, 0512 4127, 0512 4292	58
FIG 48-2 0512 4128, 0512 4293, 0512 4334, 0512 4338, 0512 4343	60
FIG 51 0512 4060, 0512 4104, 0512 4300, 0512 4329	62
FIG 63 0512 4010	64
FIG 83 0512 4176, 0512 4180, 0512 4251, 0512 4337, 0512 4339, 0512	66
FIG 90 0512 4355	68

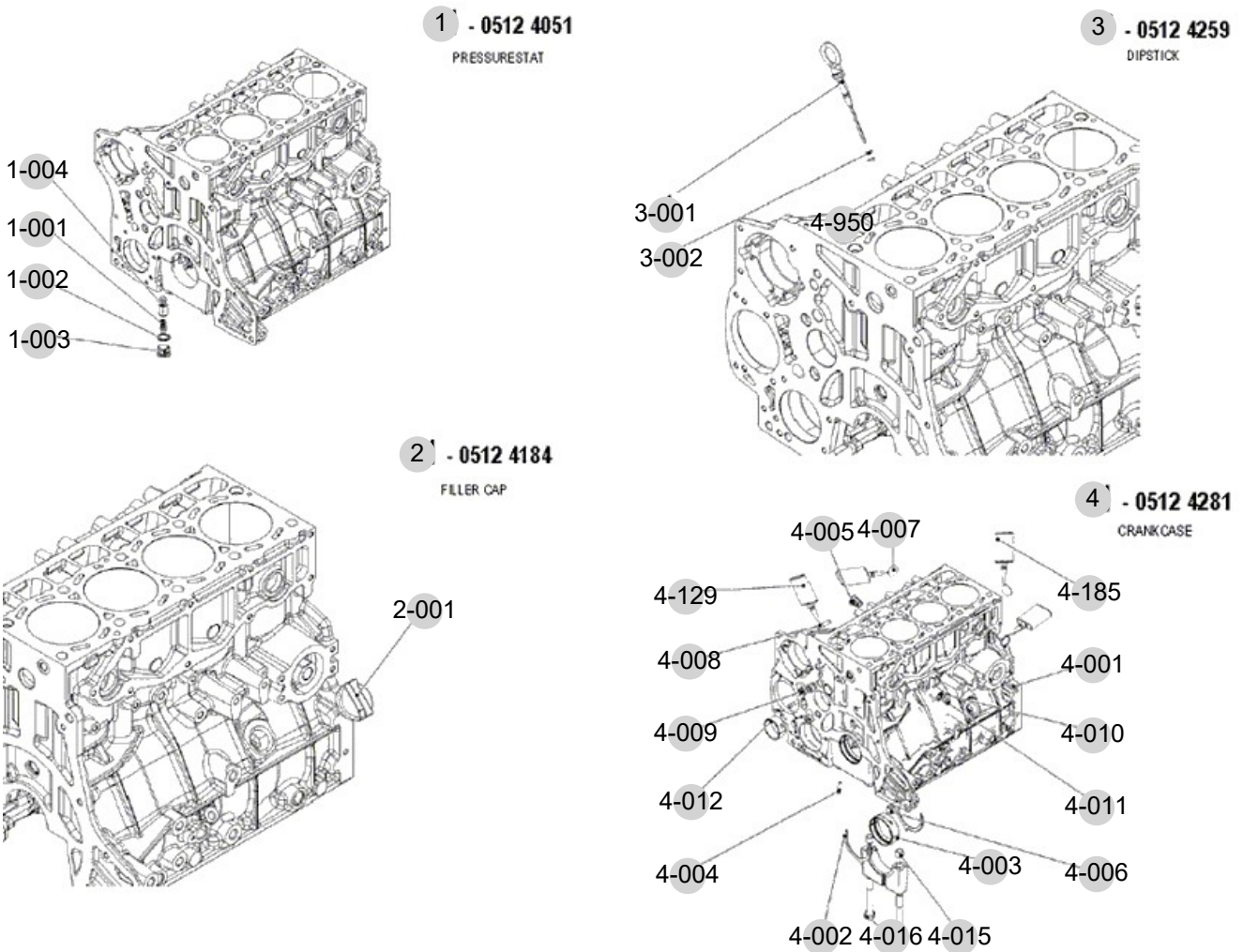
FIG 01

T654SM

PRESSURESTAT, FILLER CAP, DIPSTICK,
CRANKCASE

년/월
Year/Month

2022-12



NOTE

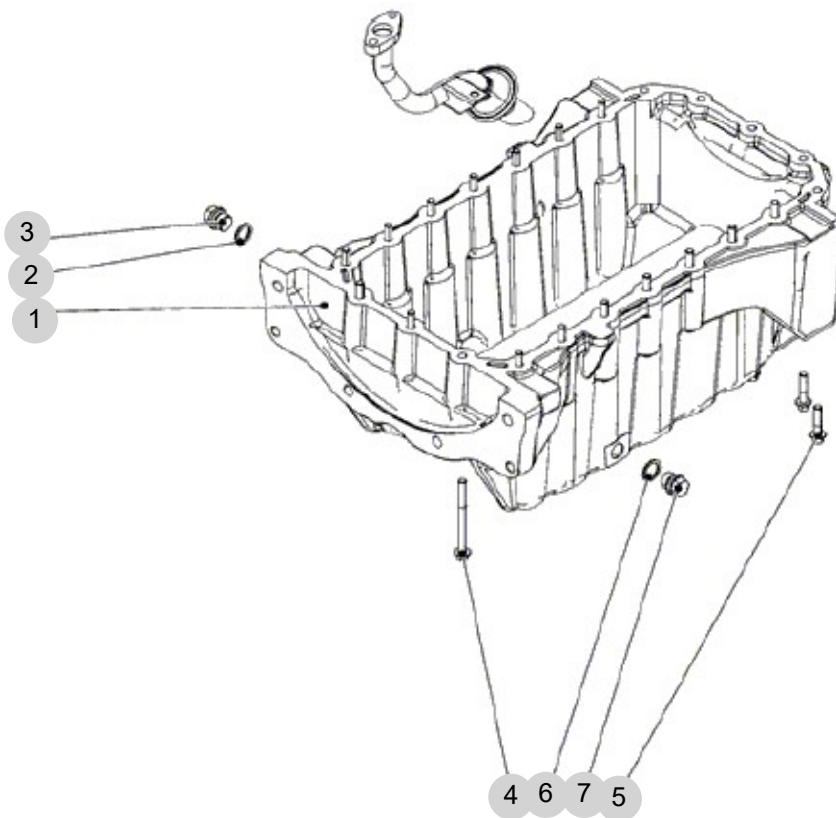
FIG 02

T654SM

OIL PAN

년/월
Year/Month

2022-12



02 - 0512 4368

OIL PAN

NOTE

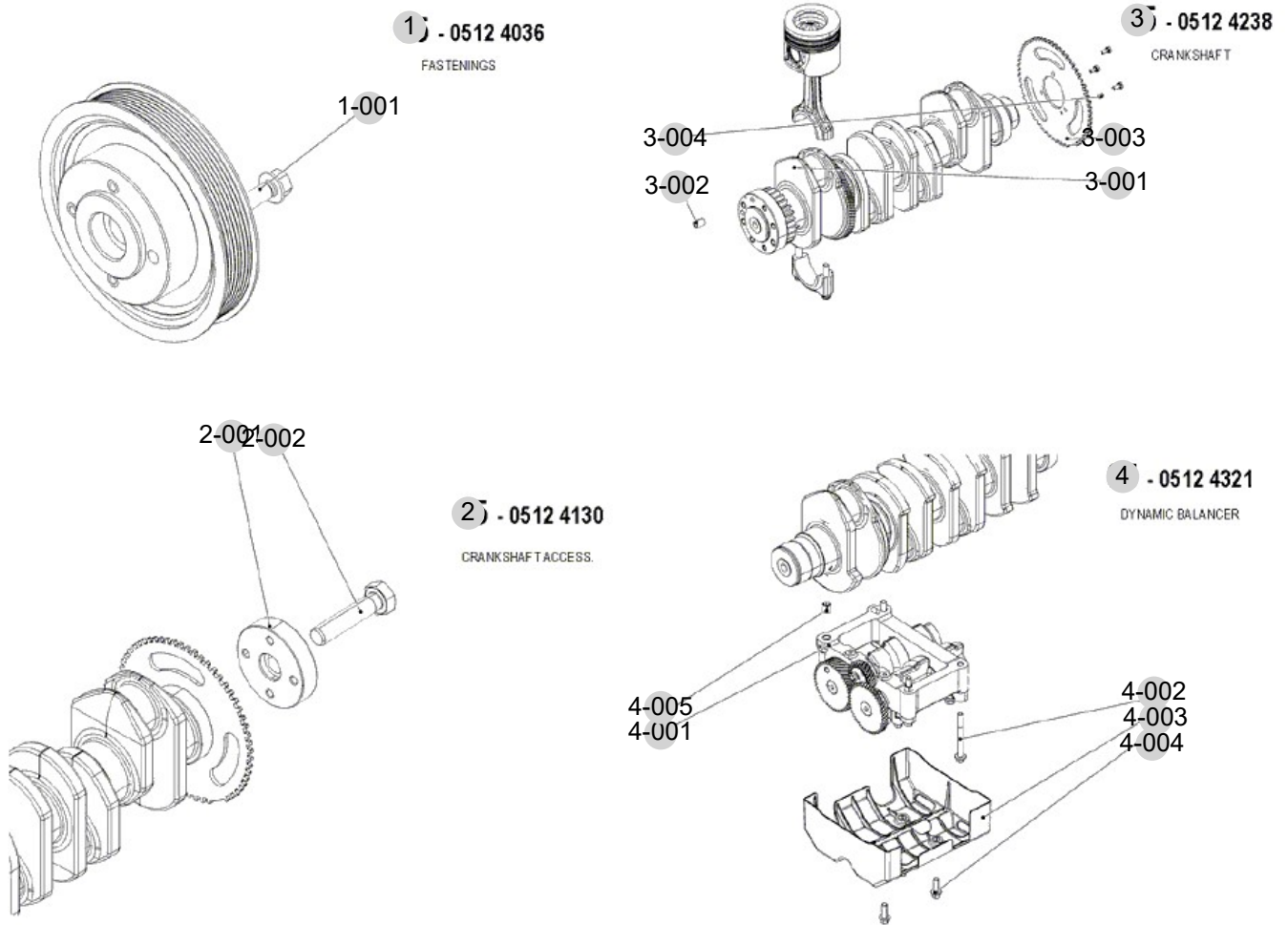
FIG 05

T654SM

FASTENINGS, CRANKSHAFT ACCESS, CRANK
SHAFT, DYNAMIC BALANCER

년/월
Year/Month

2022-12



NOTE

FIG 06

0512 4003

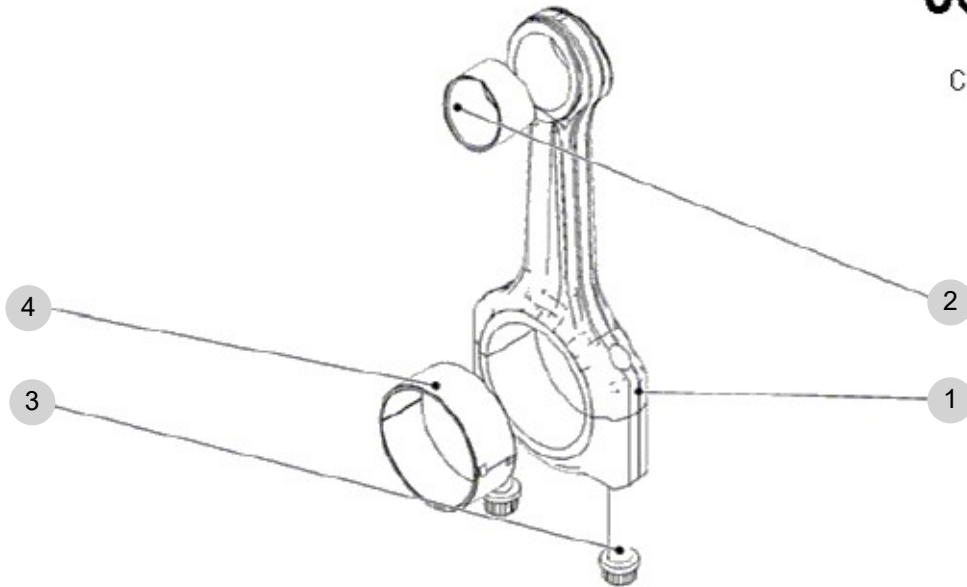
년/월
Year/Month

2022-12

T654SM

06 - 0512 4003

CONNECTING ROD



NOTE

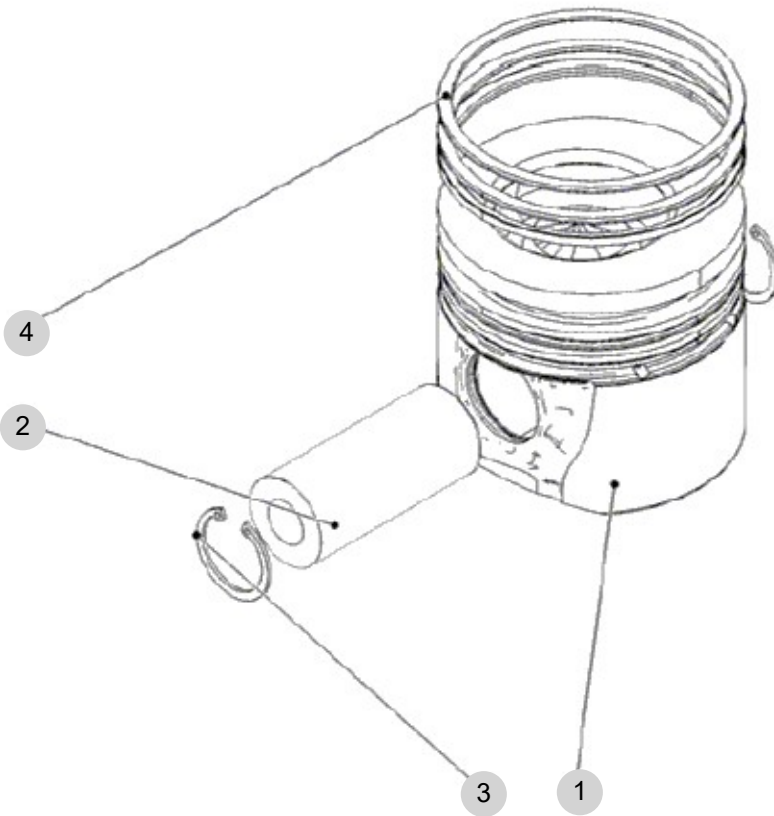
FIG 07

T654SM

0512 4005

년/월
Year/Month

2022-12



07 - 0512 4005

PISTON

NOTE

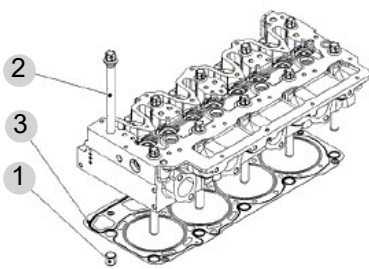
FIG 08

T654SM

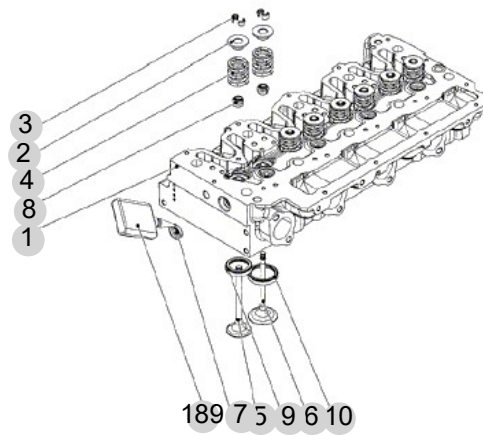
0512 4312, 0512 4050, 0512 4246

년/월
Year/Month

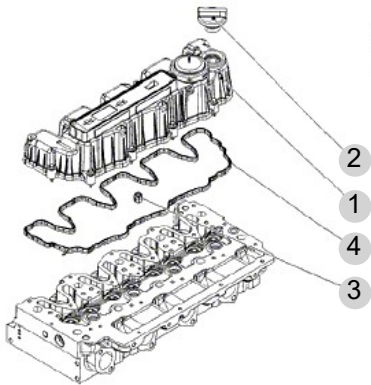
2022-12



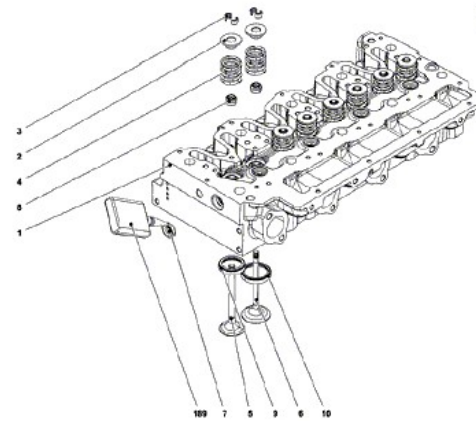
08 - 0512 4050
FASTENINGS



08 - 0512 4312
CYLINDER HEAD



08 - 0512 4246
VALVE MECHAN COVER



08 - 0512 4312
CYLINDER HEAD

NOTE

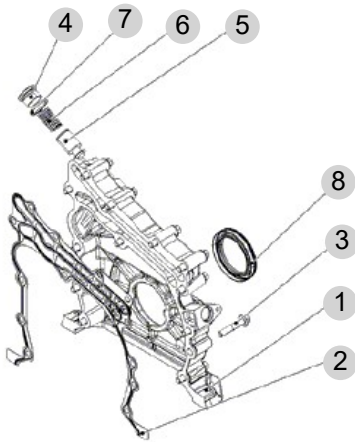
FIG 09

T654SM

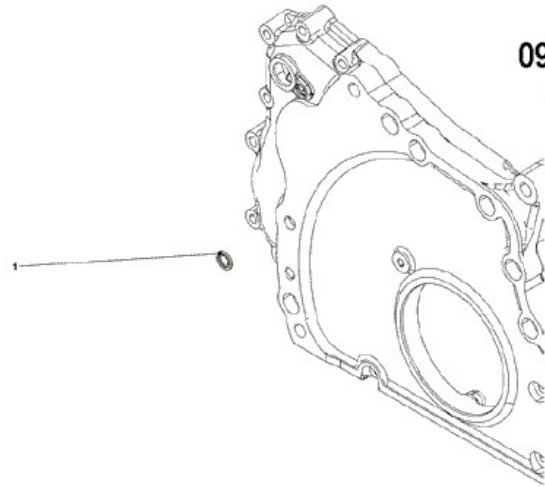
0512 4044, 0512 4320

년/월
Year/Month

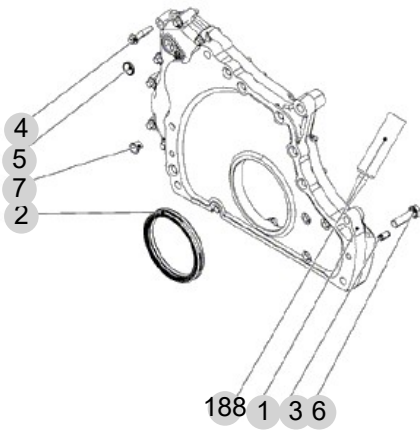
2022-12



09 - 0512 4044
FRONT COVER



09 - 0512 4406
SEALING RING



09 - 0512 4320
GEARCASE

NOTE

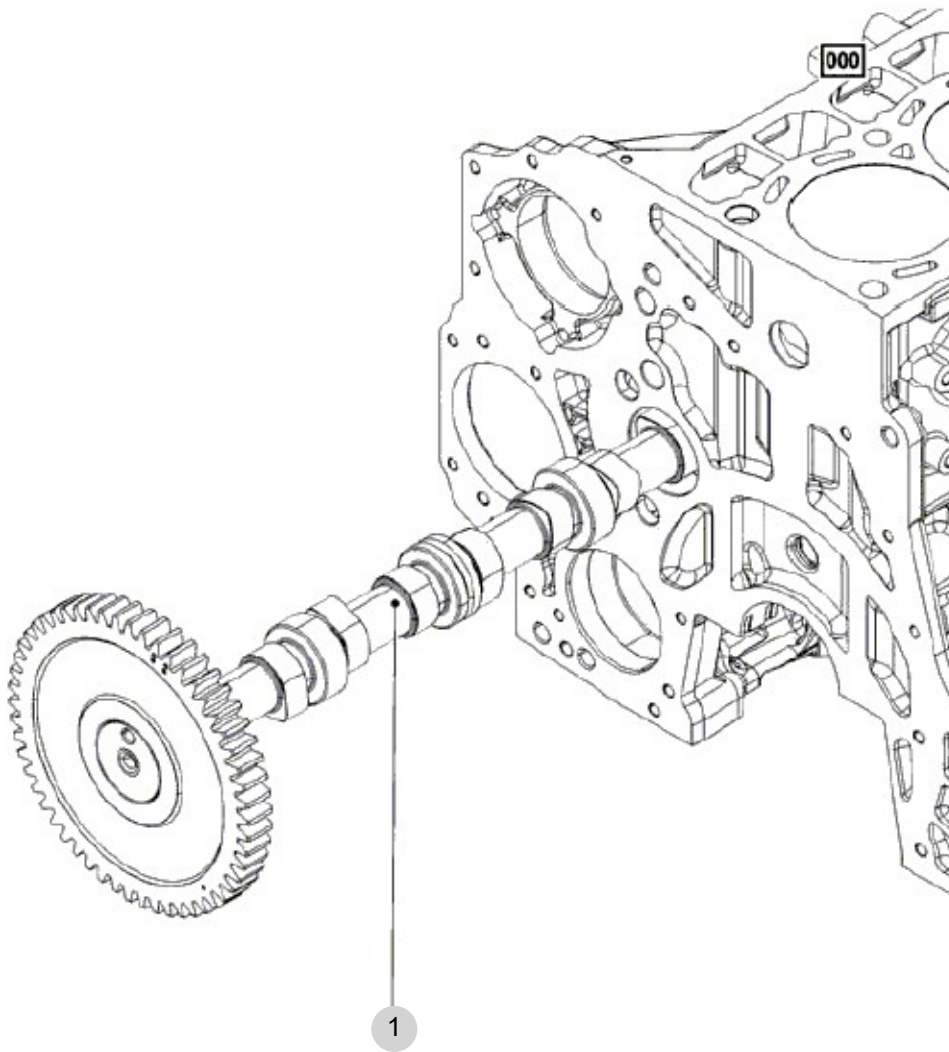
FIG 10

T654SM

0512 4284

년/월
Year/Month

2022-12



10 - 0512 4284

CAMSHAFT

NOTE

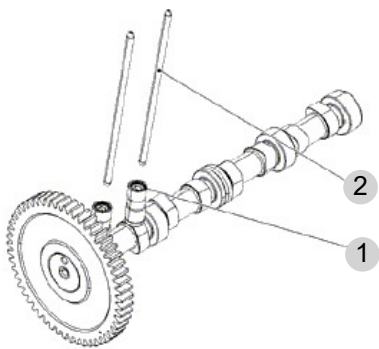
FIG 11

T654SM

0512 4004, 0512 4045, 0512 4046

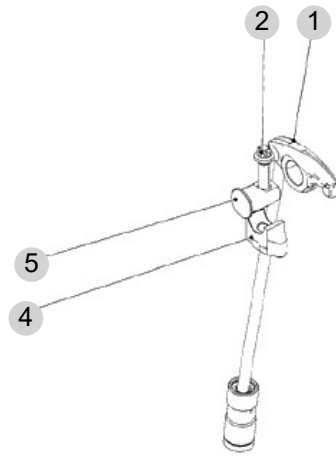
년/월
Year/Month

2022-12



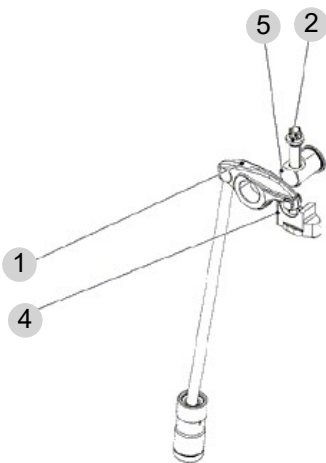
11 - 0512 4004

VALVE DRIVE



11 - 0512 4046

ROCKER ARM INLET



11 - 0512 4045

ROCKER ARM OUTLET

NOTE

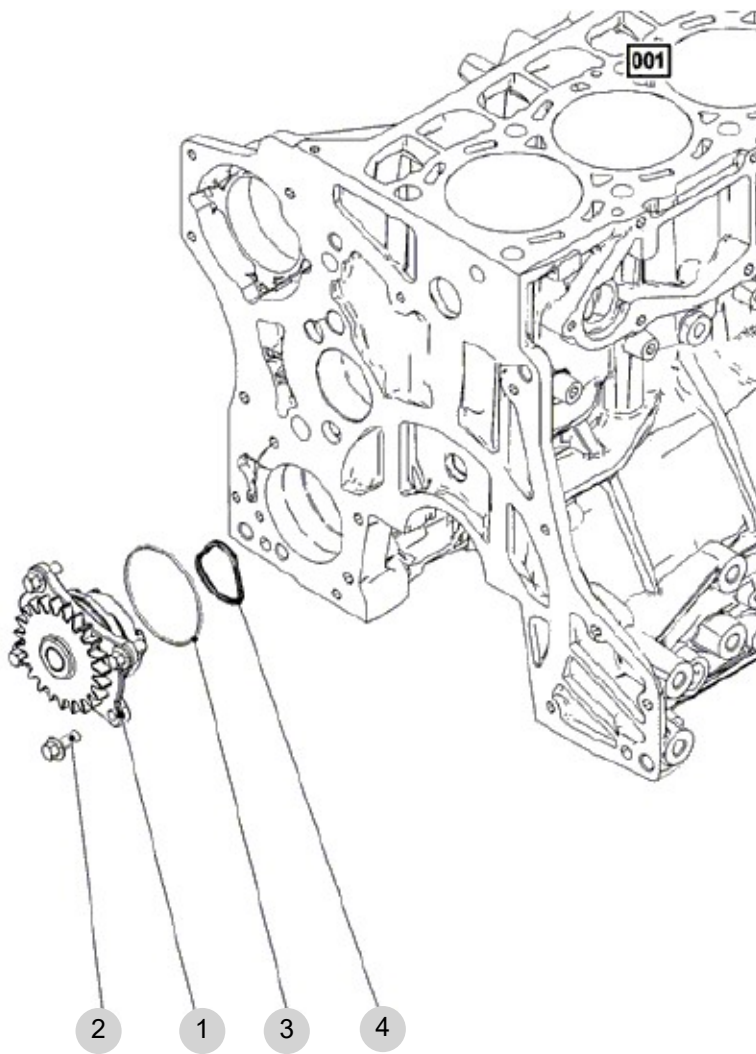
FIG 14

T654SM

0512 4027

년/월
Year/Month

2022-12



14 - 0512 4027

LUBRICAT. OIL PUMP

NOTE

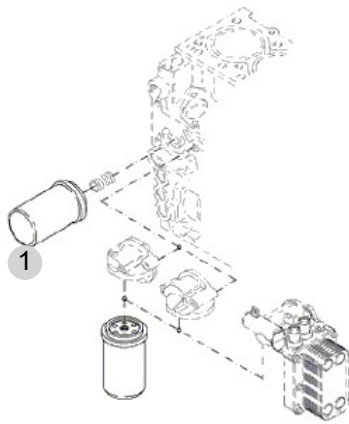
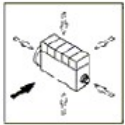
FIG 15

T654SM

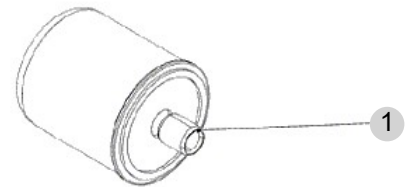
0512 4120, 0506 4400, 0512 4000

년/월
Year/Month

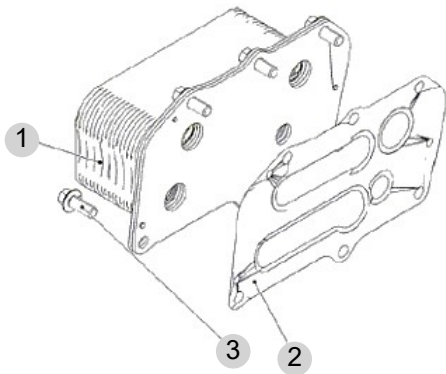
2022-12



15 - 0506 4400
LUBRIC. OIL FILTER



15 - 0512 4120
OIL FILTER ASSY



15 - 0512 4000
OIL COOLER

NOTE

FIG 16

T654SM

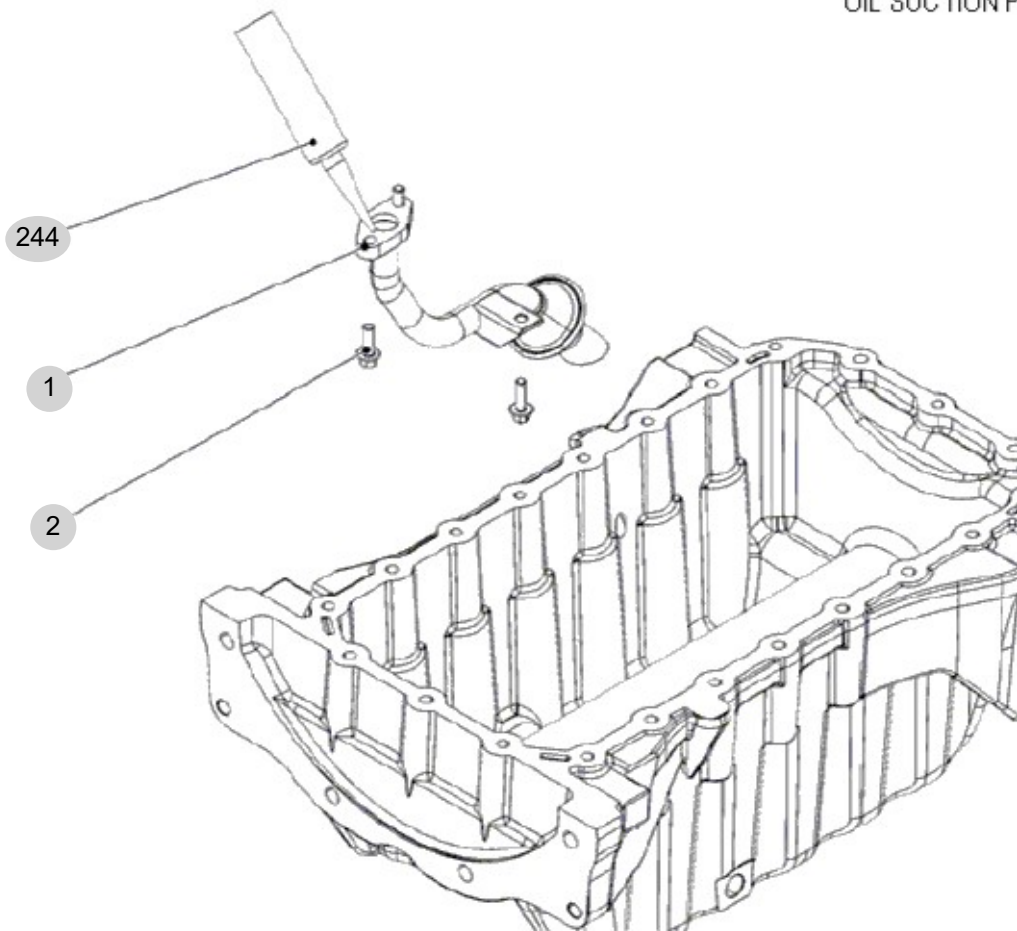
0512 4261

년/월
Year/Month

2022-12

16 - 0512 4261

OIL SUCTION PIPE



NOTE

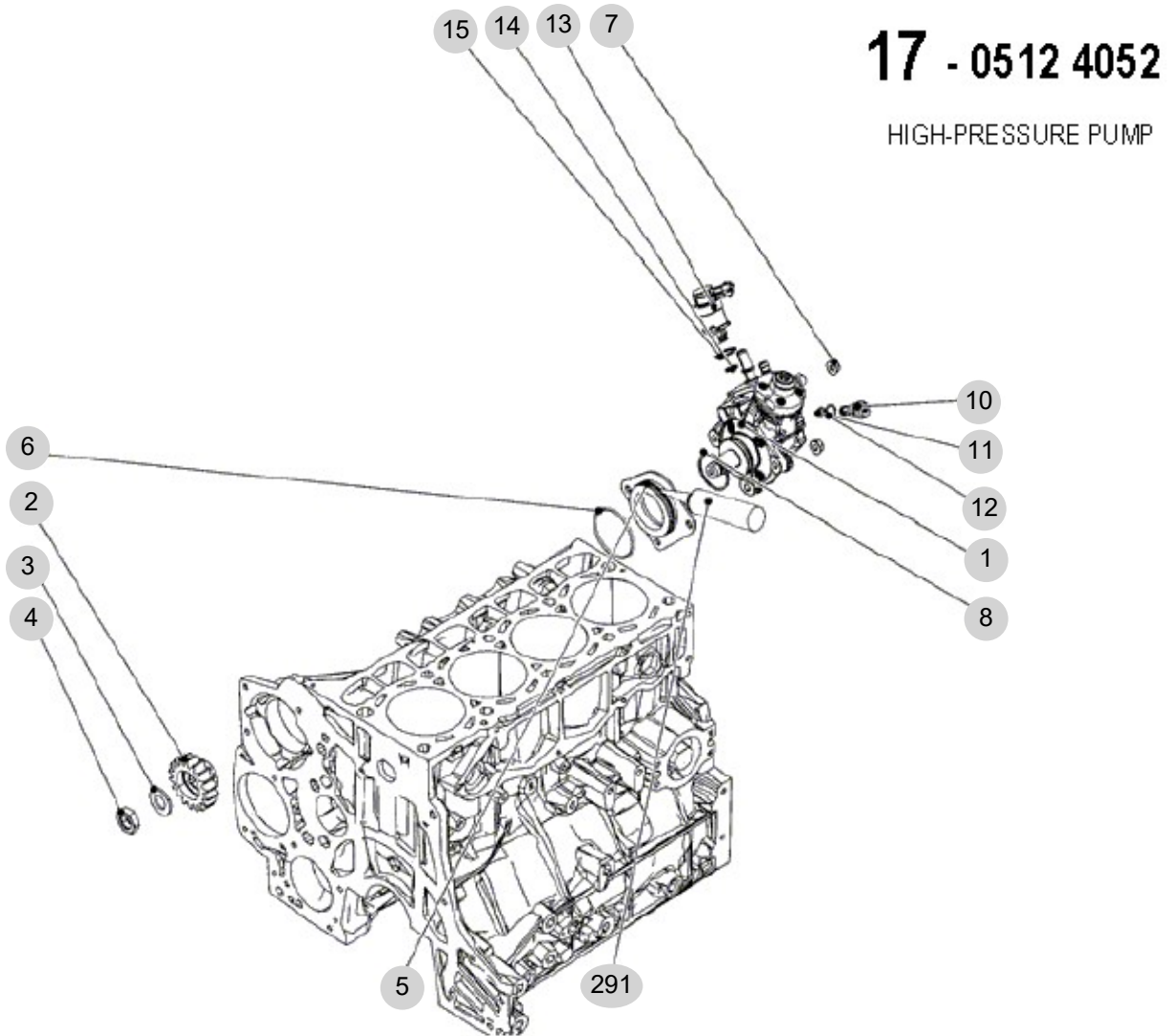
FIG 17

0512 4052

년/월
Year/Month

2022-12

T654SM



NOTE

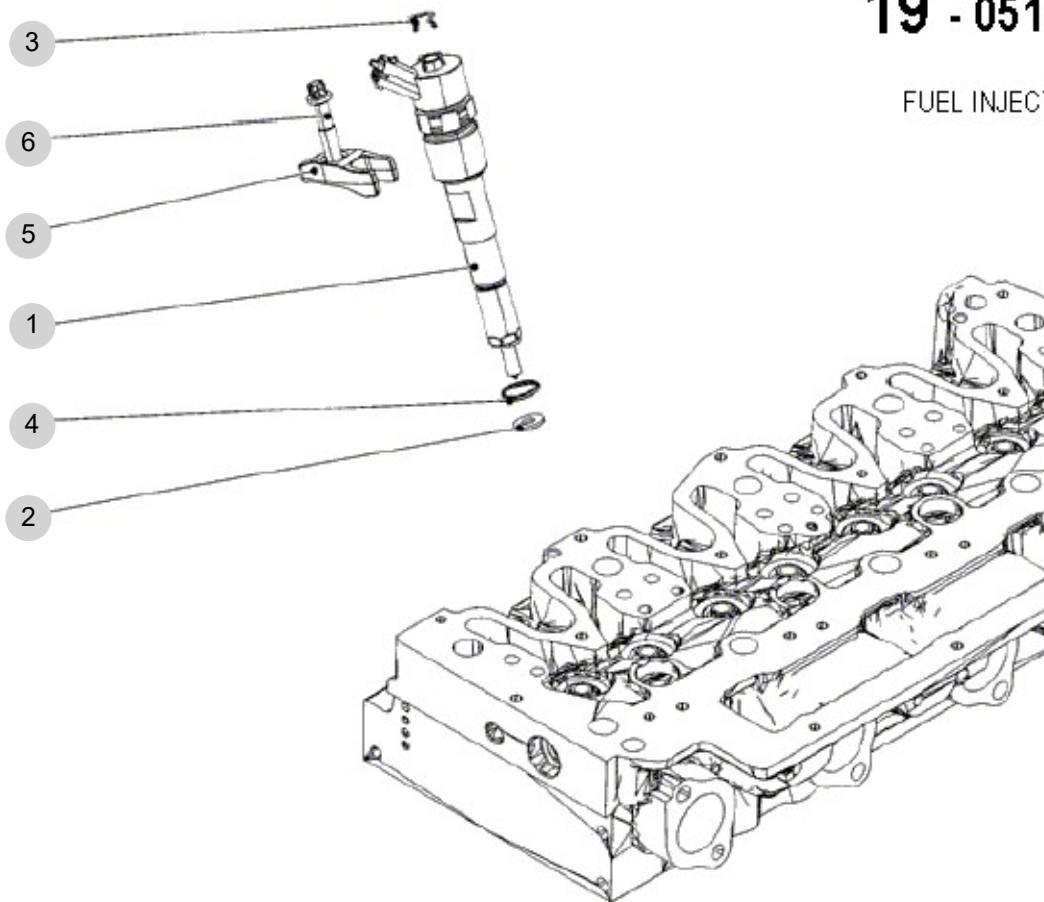
FIG 19

T654SM

0512 4047

년/월
Year/Month

2022-12



NOTE

FIG 20

T654SM

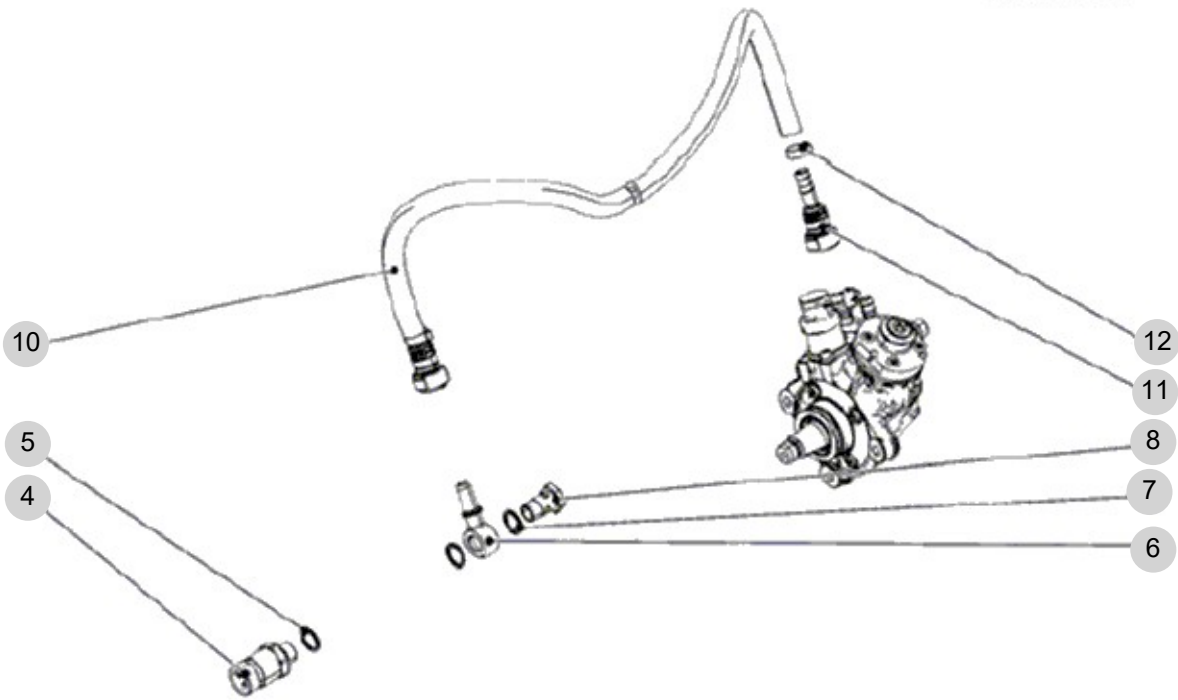
0512 4224

년/월
Year/Month

2022-12

20 - 0512 4224

FUEL FILTER



NOTE

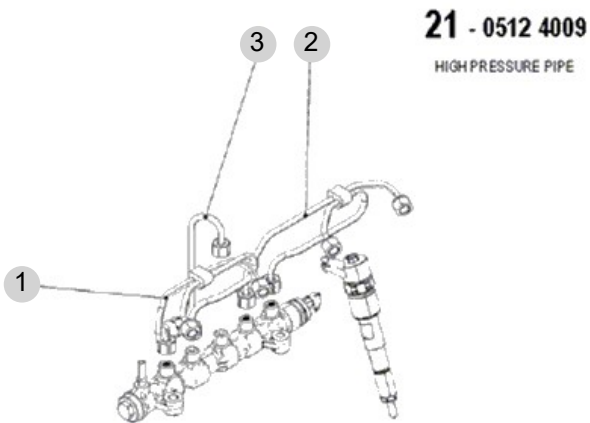
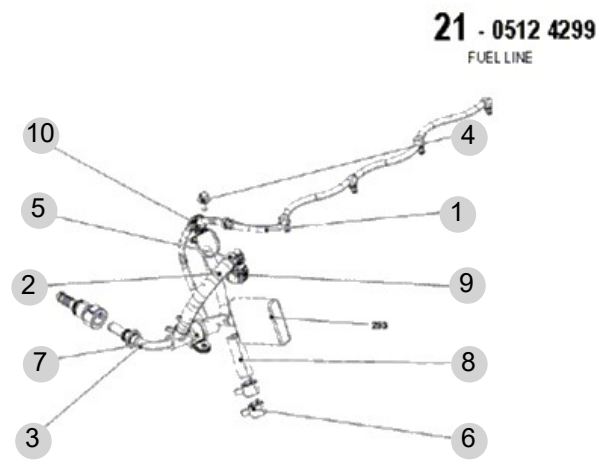
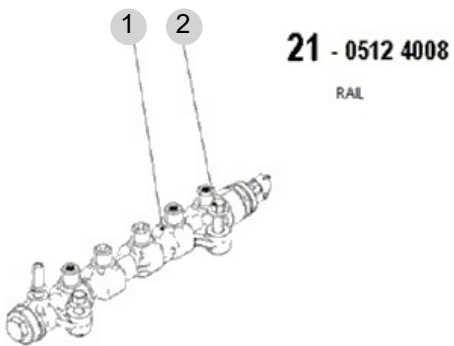
FIG 21

T654SM

0512 4009, 0512 4008, 0512 4299

년/월
Year/Month

2022-12



NOTE

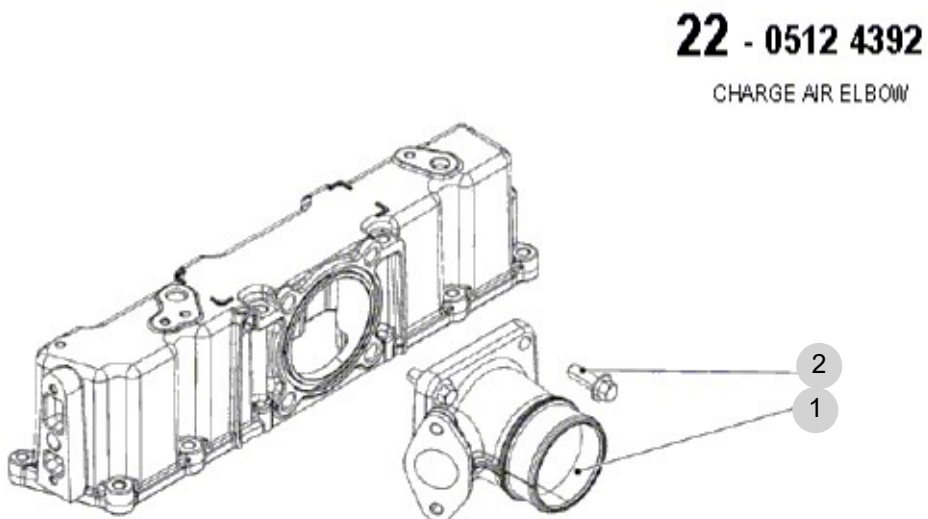
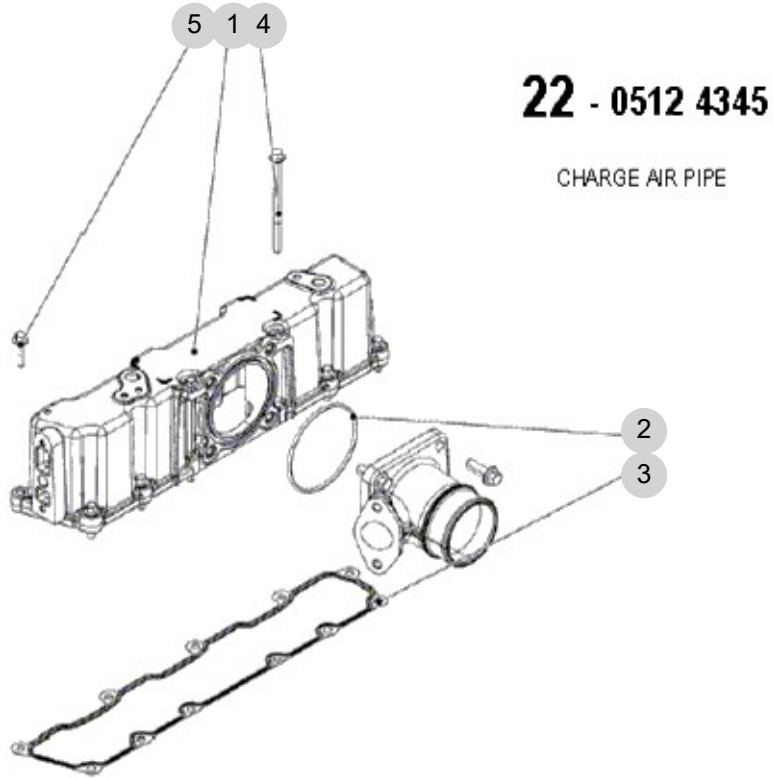
FIG 22

T654SM

0512 4345, 0512 4392

년/월
Year/Month

2022-12



NOTE

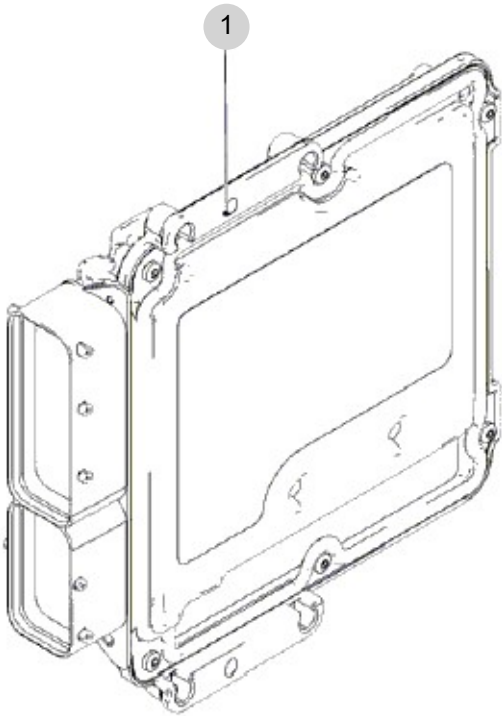
FIG 27

0511 8909

년/월
Year/Month

2022-12

T654SM



27 - 0511 8909

CONTROL UNIT

NOTE

FIG 37

T654SM

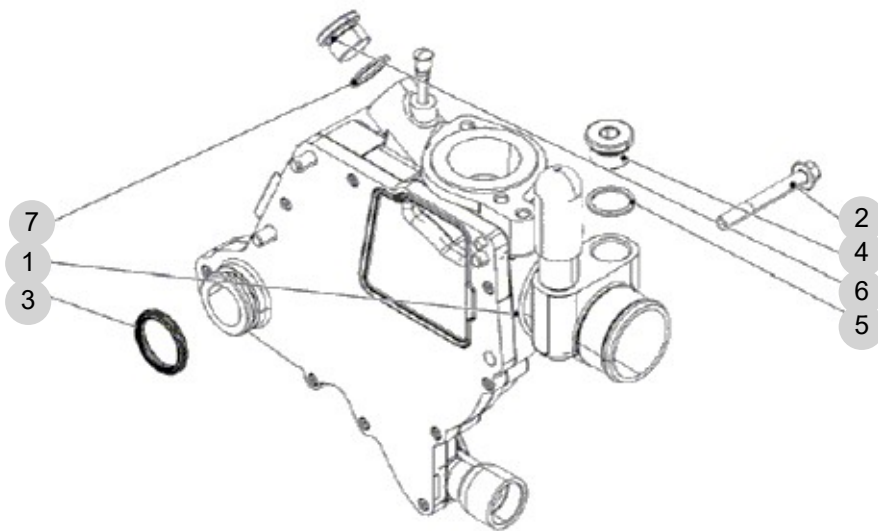
0512 4331

년/월
Year/Month

2022-12

37 - 0512 4331

COOLANT PUMP



NOTE

FIG 38

T654SM

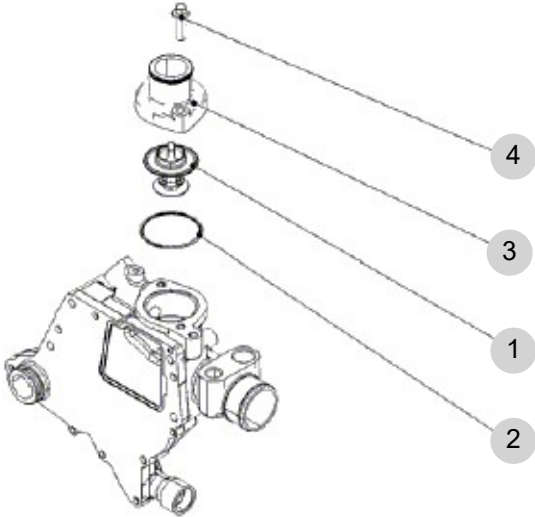
0512 4055

년/월
Year/Month

2022-12

38 - 0512 4055

THERMOSTAT



NOTE

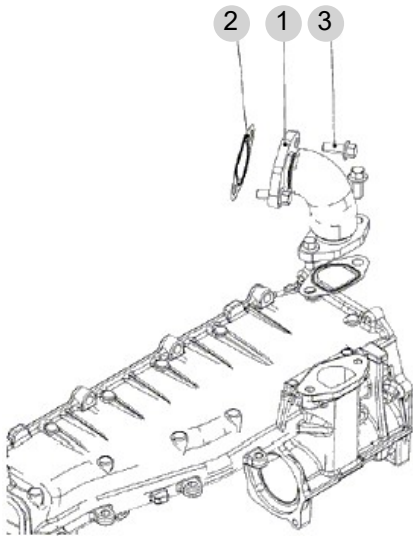
FIG 41

T654SM

0512 4143, 0512 4058, 0512 4097, 0512 4257

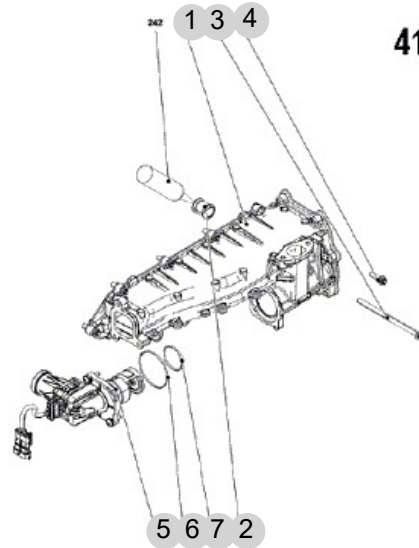
년/월
Year/Month

2022-12



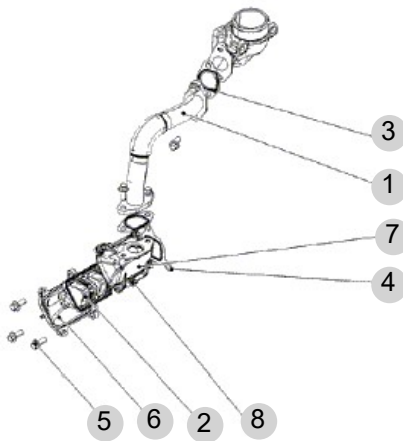
41 - 0512 4058

PIPELINE/LEAD



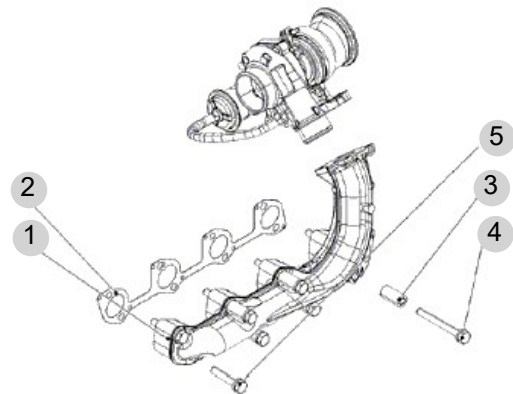
41 - 0512 4143

EGR-MODULE



41 - 0512 4097

PIPELINE/LEAD



41 - 0512 4257

EXHAUST MANFOLD

NOTE

FIG 43

T654SM

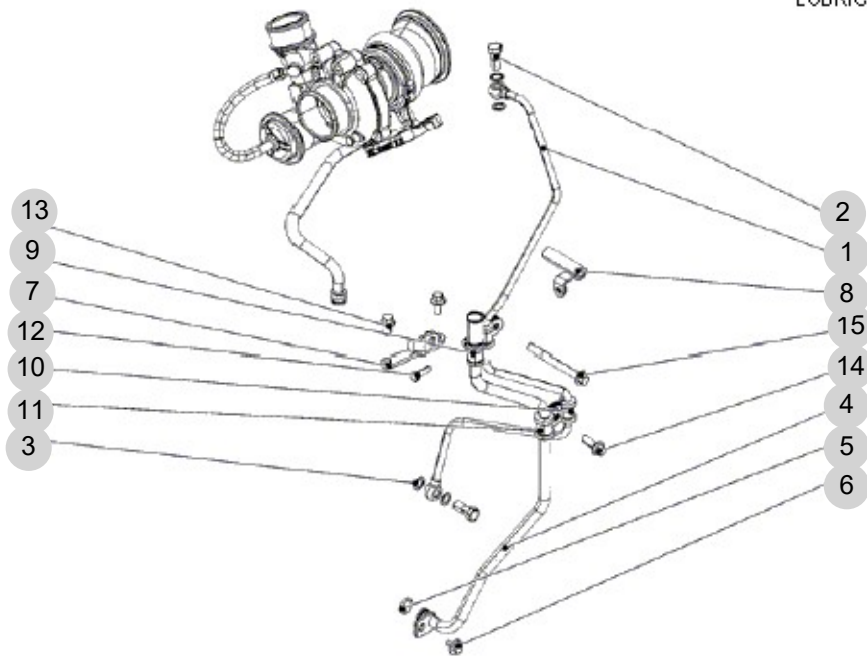
0512 4384

년/월
Year/Month

2022-12

43 - 0512 4384

LUBRICAT. OIL LINE



NOTE

FIG 44

T654SM

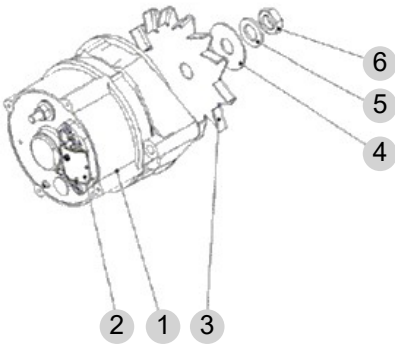
0512 4062, 0512 4256, 0512 4393, 0512 4400

년/월
Year/Month

2022-12

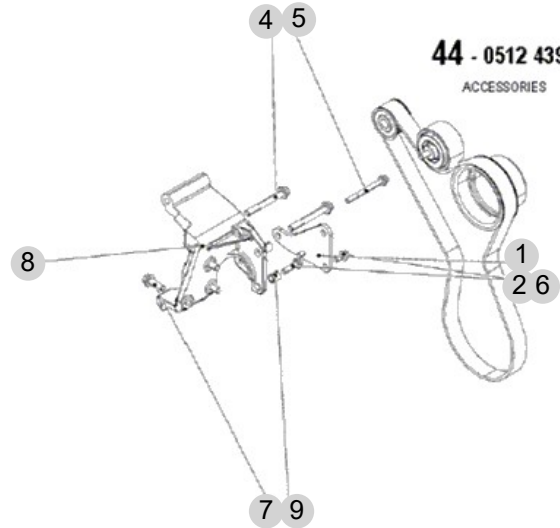
44 - 0512 4062

GENERATOR



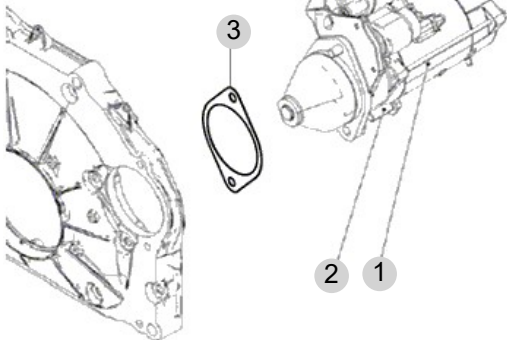
44 - 0512 4393

ACCESSORIES



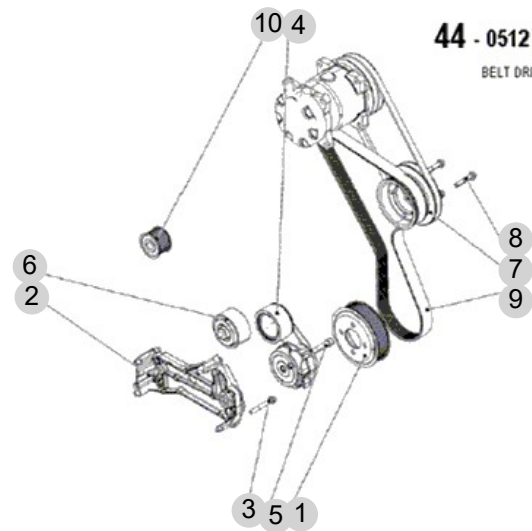
44 - 0512 4256

STARTER



44 - 0512 4400

BELT DRIVE



NOTE

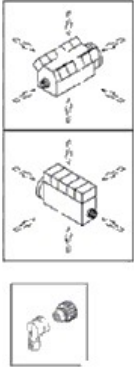
FIG 48-1

T654SM

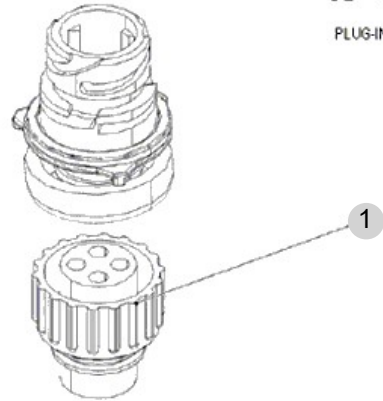
0511 7723, 0512 4011, 0512 4098, 0512 4127,
0512 4292

년/월
Year/Month

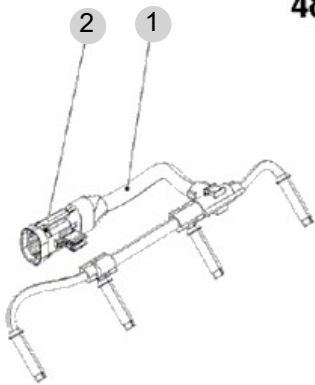
2022-12



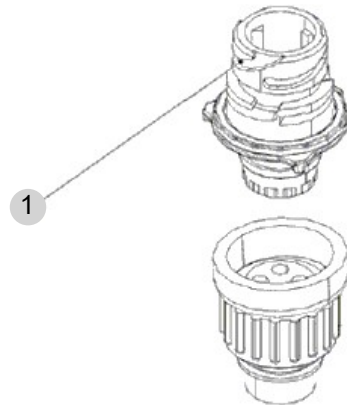
48 - 0511 7723
ATTACHMENT PLUG



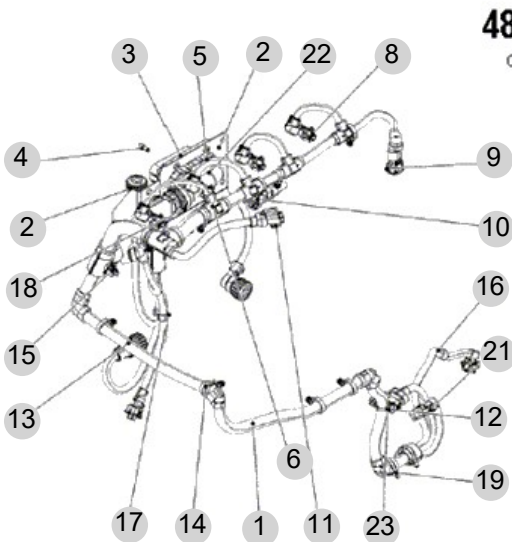
48 - 0512 4098
PLUG-IN CONNECTOR



48 - 0512 4011
CABLE HARNESS



48 - 0512 4127
PLUG-IN CONNECTOR



48 - 0512 4292
CABLE HARNESS

NOTE

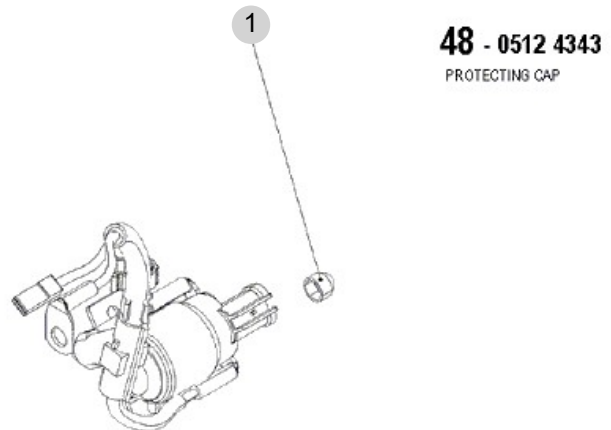
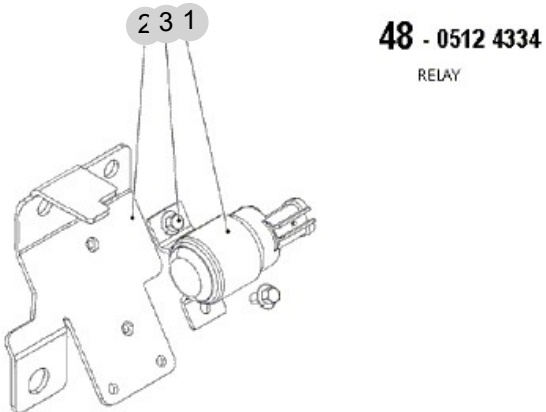
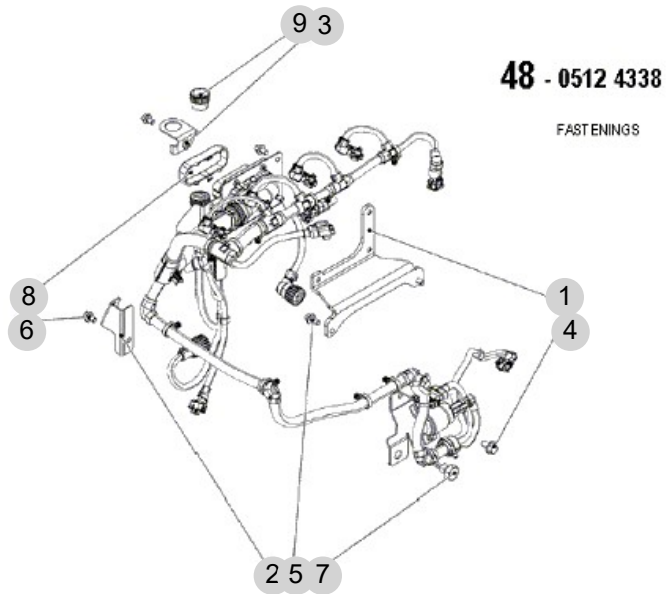
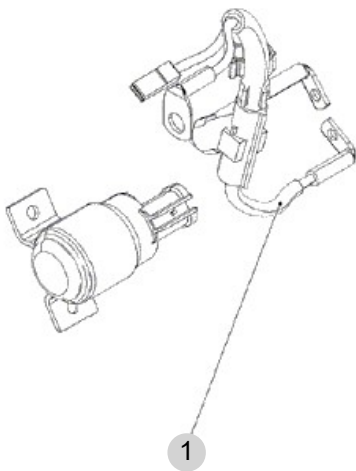
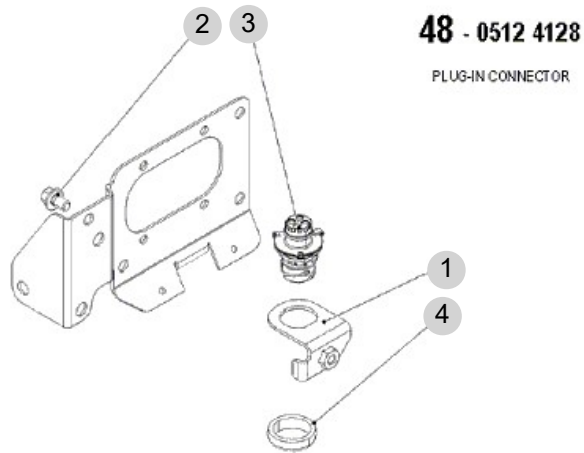
FIG 48-2

T654SM

0512 4128, 0512 4293, 0512 4334, 0512 4338,
0512 4343

년/월
Year/Month

2022-12



NOTE

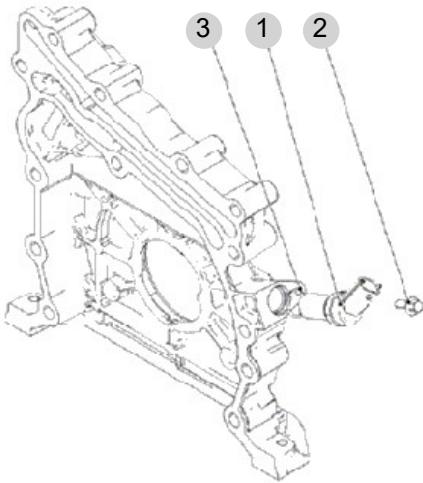
FIG 51

T654SM

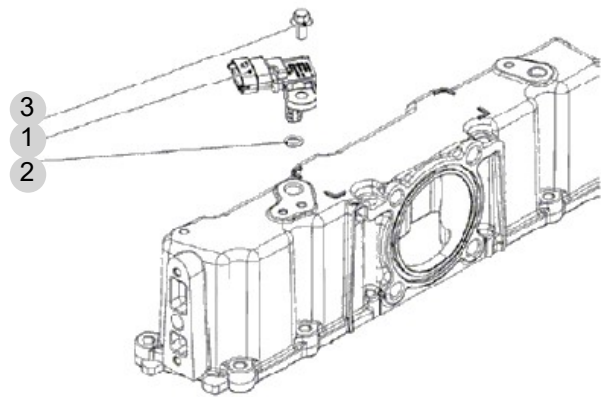
0512 4060, 0512 4104, 0512 4300, 0512 4329

년/월
Year/Month

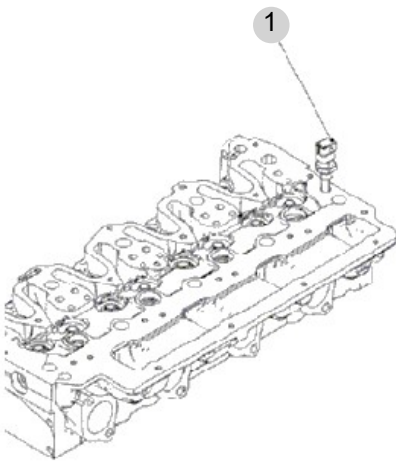
2022-12



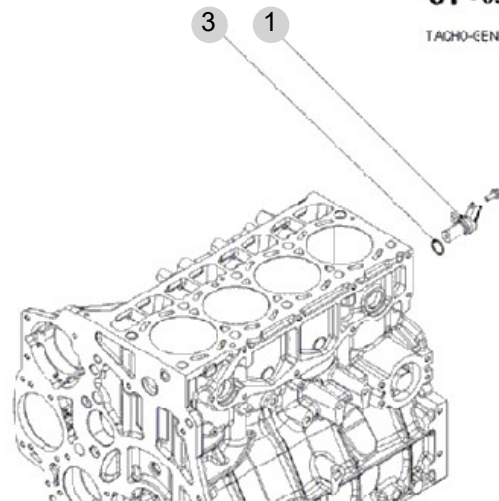
51 - 0512 4060
TACHO-GENERATOR



51 - 0512 4329
SENSOR



51 - 0512 4104
TEMPER.T TRANSMITTER



51 - 0512 4300
TACHO-GENERATOR

NOTE

FIG 63

T654SM

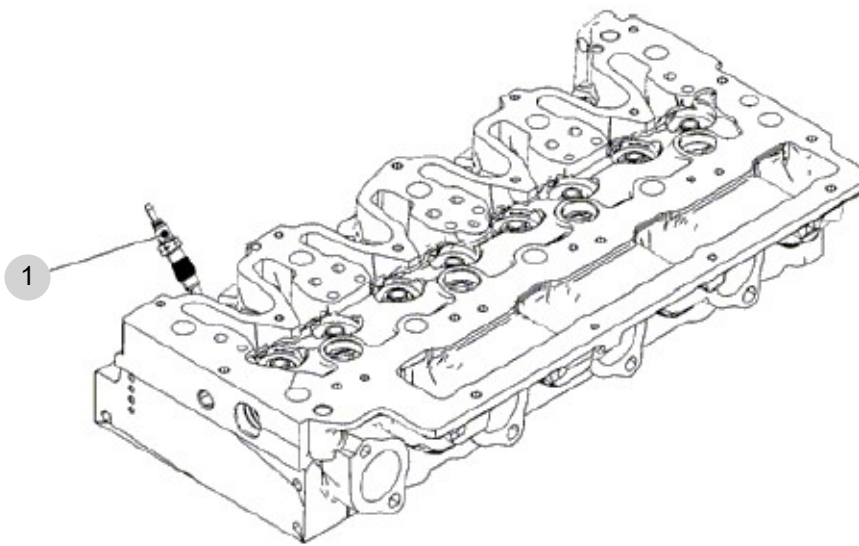
0512 4010

년/월
Year/Month

2022-12

63 - 0512 4010

GLOW PLUG



NOTE

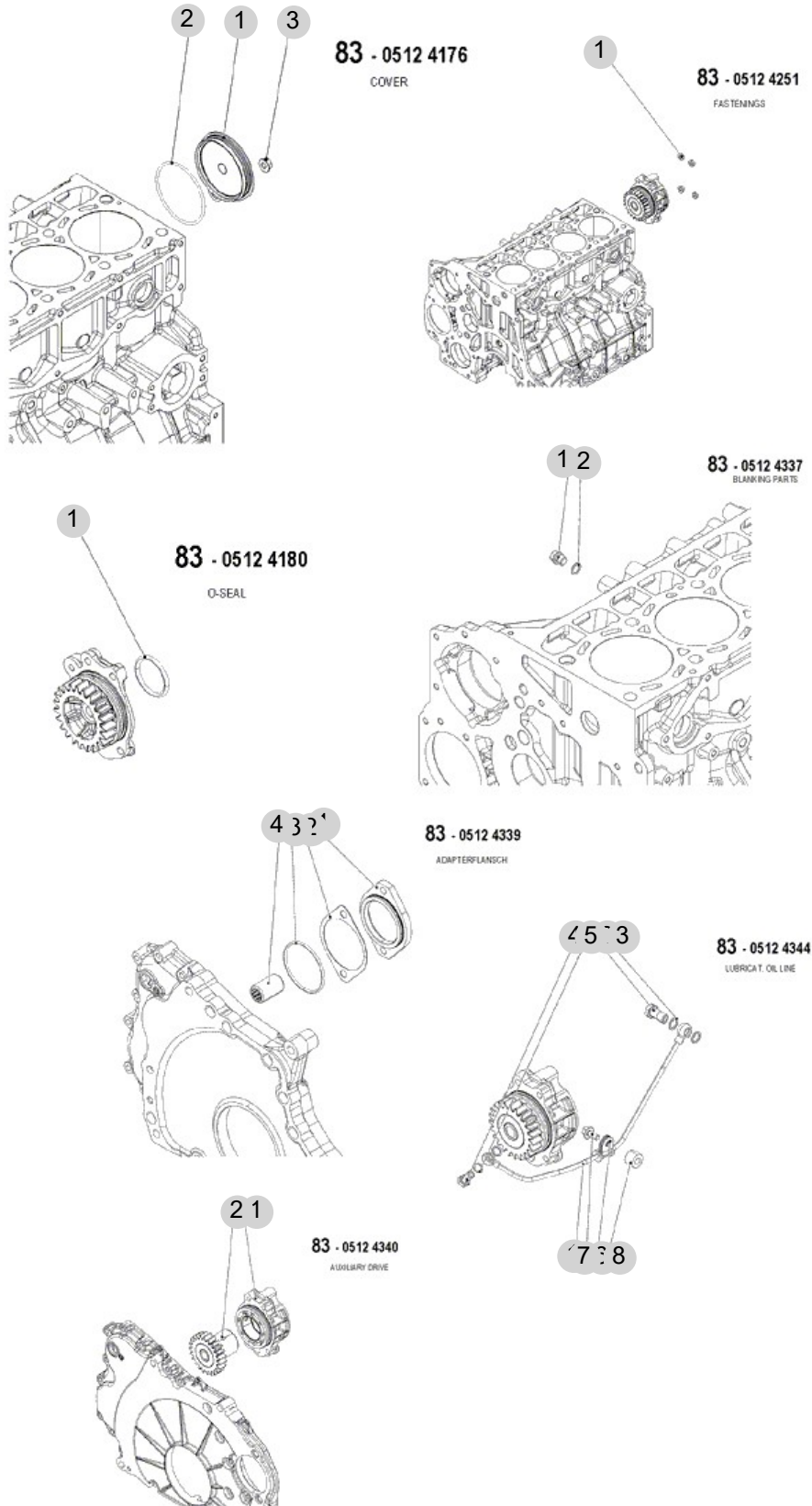
FIG 83

T654SM

0512 4176, 0512 4180, 0512 4251, 0512 4337,
0512 4339, 0512

년/월
Year/Month

2022-12



NOTE

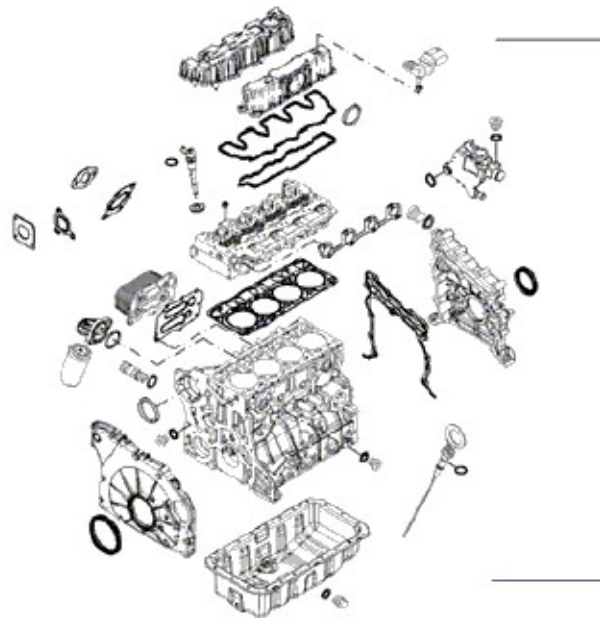
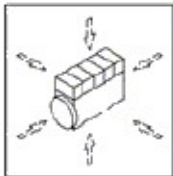
FIG 90

T654SM

0512 4355

년/월
Year/Month

2022-12



90 - 0512 4355

GASKET SET

1

NOTE

2. Engine Accessories PART NO. T2

FIG 201 AIR CLEANER	71
FIG 202 RADIATOR	73
FIG 203 MUFFLER & EXHAUST PIPE	76
FIG 204 FUEL TANK	79
FIG 205 FUEL FILTER & FUEL PUMP	81
FIG 206 BLOCK HEATER	83

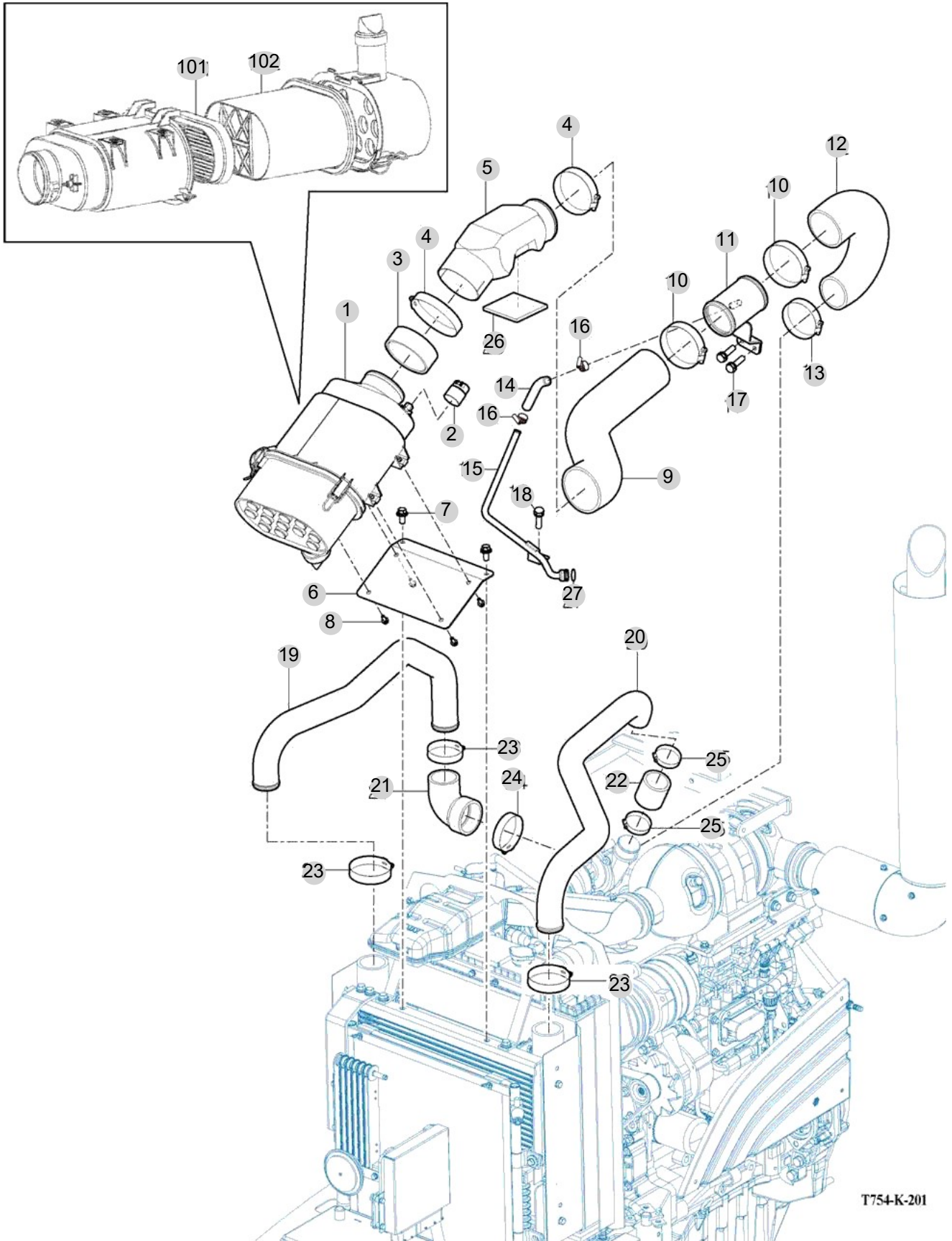
FIG 201

AIR CLEANER

년/월
Year/Month

2022-12

T654SM



T754-K-201

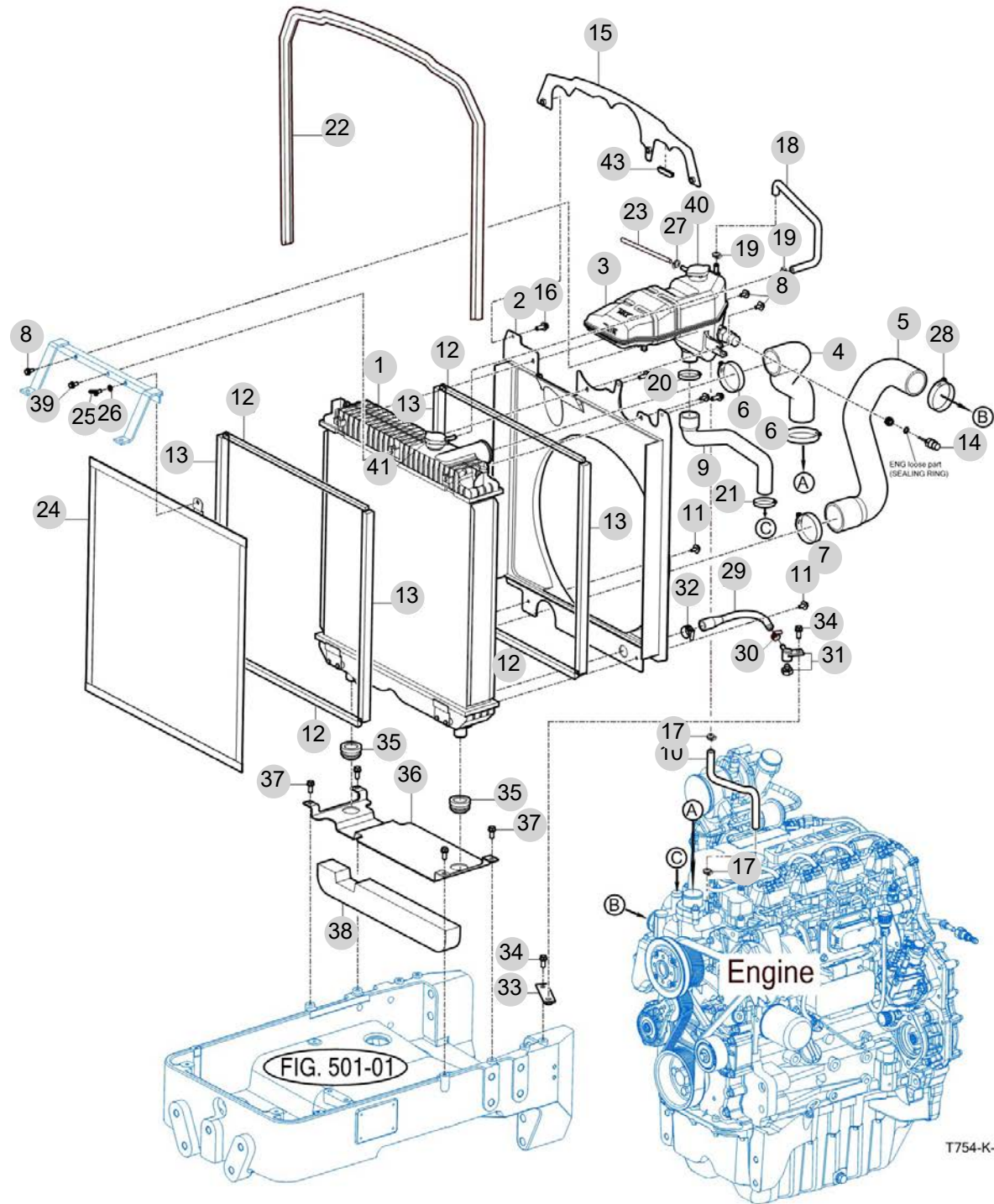
NOTE

FIG 202

RADIATOR

년/월
Year/Month

2022-12



NOTE

FIG 202		RADIATOR					년/월 Year/Month		
							2022-12		
T654SM		KEY NO	PART NO	DESCRIPTION	SPEC	QTY	REPAIR	EFFECTIVE DATE	REMARKS
202	1	18021042500	RADIATOR ASSY			1			
202	2	18021042201	SHROUD			1			
202	3	18021041002	RESERVE TANK			1			
202	3	18021041003	RESERVOIR TANK			1			
202	4	18021040010	HOSE , RADIATOR INLET			1			
202	5	18021040020	HOSE , RADIATOR/OUTLET			1			
202	6	34513310040	BAND CLAMP 64			2			
202	6	18027090600	BAND CLAMP 60 EMBO TYPE			2			
202	7	18027090700	BAND CLAMP 70 EMBO TYPE			1			
202	8	V2193606025	BOLT , HEX/SPL	M6X25		3			
202	9	18021040030	HOSE ID22			1			
202	10	18028200081	HOSE 290			1			
202	11	V2193606016	BOLT , HEX/SPL	M6X16		3			
202	12	16601042340	SPONGE , 495			4			
202	13	10011042360	SPONGE , 20X15	20X15X490		4			
202	14	04218100	LEVEL SWITCH			1			
202	15	18021042300GB	PLATE COMP , SEAL C			1			
202	16	V2323606016	BOLT , C/R HEX/SP	M6X16		3			
202	17	14501410050	BAND CLAMP 16			2			
202	17	18027090160	BAND CLAMP 16 EMBO TYPE			2			
202	18	18021040041	HOSE RD TANK			1			
202	19	14501410050	BAND CLAMP 16			2			
202	19	14501410050	BAND CLAMP 16			2			
202	19	18027090160	BAND CLAMP 16 EMBO TYPE			2			
202	20	14241010050	WIRE CLAMP 42			1			
202	20	18027090500	BAND CLAMP 50 EMBO TYPE			1			
202	21	18027090400	BAND CLAMP 40 EMBO TYPE			1			
202	22	10031040320	INSULATOR			1			
202	23	18021040050	HOSE , BREATHER 500			1			
202	24	17811042300GB	NET COMP , RADIATOR			1			
202	25	V2712606012	BOLT , WING	M6X12		1			
202	26	V4111600060	WASHER , PLAIN	M6		1			
202	27	14501410050	BAND CLAMP 16			1			
202	27	18027090160	BAND CLAMP 16 EMBO TYPE			1			
202	28	18027090600	BAND CLAMP 60 EMBO TYPE			1			
202	29	19021040091	HOSE(210)	1X1X1		1			
202	30	37481850030	BAND CLAMP 18			1			
202	30	18027090160	BAND CLAMP 16 EMBO TYPE	1/2 3/4		1			
202	31	15231041000	CONNECTOR			1			
202	32	37681850160	BAND CLAMP 25			1			
202	32	18027090250	BAND CLAMP 25 EMBO TYPE			1			
202	33	16991041100GB	PLATE COMP , CONNECTOR	1X1X1		1			
202	34	V2183608025	BOLT , HEX/SP	M8X25		1			
202	35	19021040020	CUSHION RADIATOR	1X1X1		2			
202	36	17131142100GB	SUPPORT , RADIATOR	480X150X38.5		1			
NOTE									

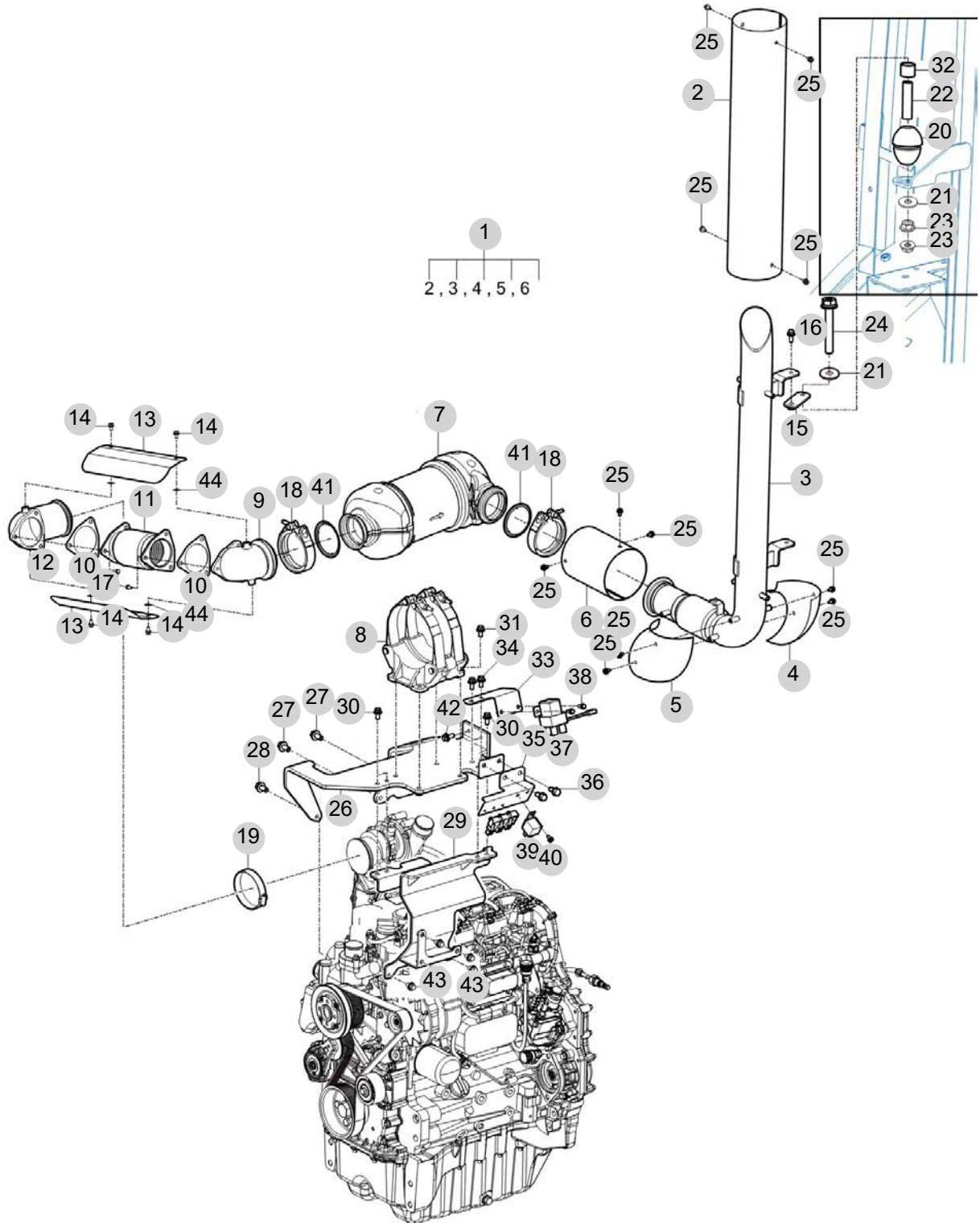
FIG 203

MUFFLER & EXHAUST PIPE

년/월
Year/Month

2022-12

T654SM



NOTE

FIG 203		MUFFLER & EXHAUST PIPE					년/월 Year/Month		
							2022-12		
T654SM		KEY NO	PART NO	DESCRIPTION	SPEC	QTY	REPAIR	EFFECTIVE DATE	REMARKS
203	1	18021061001	EXHAUST PIPE ASSY			1			
203	1	18021061002	EXHAUST PIPE ASSY			1			
203	1	18021061003	EXHAUST PIPE ASSY			1			
203	7	04603915	CATALYST ax rd 90(DOC)			1			
203	7	04605726	CATALYST ax rd 90(DOC)			1			
203	8	04604243	BRACKET (DOC MOUNT)			1			
203	8	04605741	BRACKET (DOC MOUNT)			1			
203	9	18021061600DD	ELBOW / DOC			1			
203	10	18021061800	GASKET , BELLOWS			2			
203	11	18021061700DD	BELLOWS COMP			1			
203	12	18021061500DD	ELBOW / TC			1			
203	13	18021062100DD	PLATE , INSULATOR			1			
203	13	18021062400DD	PLATE COMP , INSULATION			1			
203	14	V2123606012	BOLT , HEX /SP			4			
203	14	V2123606016	BOLT , HEX /SP	M6X16		4			
203	15	18021061900GB	CONNECTOR COMP			1			
203	16	V2183608020	BOLT , HEX/SP	M8X20		1			
203	17	V2173608020	BOLT , HEX/S	M8X20		6			
203	18	04603585	CLIP			1			
203	18	04607110	CLIP			2			
203	19	04602018	CLIP			1			
203	20	18501058010	RUBBER, VIBRATION	1X1X1		2			
203	21	35605033020	WASHER , WIRE WITHDRAWAL	T=1.6		4			
203	22	18501058020	SPACER	1X1X1		2			
203	23	V3802600060	NUT , HEX FLANGE	M6		4			
203	24	V2003606090	BOLT , HEX	M6X90		2			
203	25	V2327006012	BOLT , C/R HEX/SP	M6X12		11			
203	26	18021051502GB	BRACKET COMP , DOC			1			
203	26	18021051503GB	BRACKET COMP , DOC			1			
203	27	V2183608025	BOLT , HEX/SP	M8X25		2			
203	28	V2183608025	BOLT , HEX/SP	M8X25		1			
203	29	18021052500GB	BRACKET COMP , DOC SIDE			1			
203	30	V2183608030	BOLT , HEX/SP	M8X30		4			
203	31	V2183608035	BOLT , HEX/SP	M8X35		4			
203	32	15701062000	COLLAR 20X7X20			2			
203	32	15701062001	COLLAR 20X7X15			2			
203	33	18021051601GB	BKT COMP , GLOW RELAY			1			
203	34	V2183608025	BOLT , HEX/SP	M8X25		2			
203	35	18021052101GB	BKT COMP , FUSE			1			
203	36	V2183608025	BOLT , HEX/SP	M8X25		2			
203	37	10036802800	RELAY ASSY , GLOW			1			
203	38	V2123606016	BOLT , HEX /SP	M6X16		2			
203	39	11616212900	RELAY 5P			1			
203	40	V2123606016	BOLT , HEX /SP	M6X16		1			
203	41	04600004	GASKET DOC			2			
NOTE									

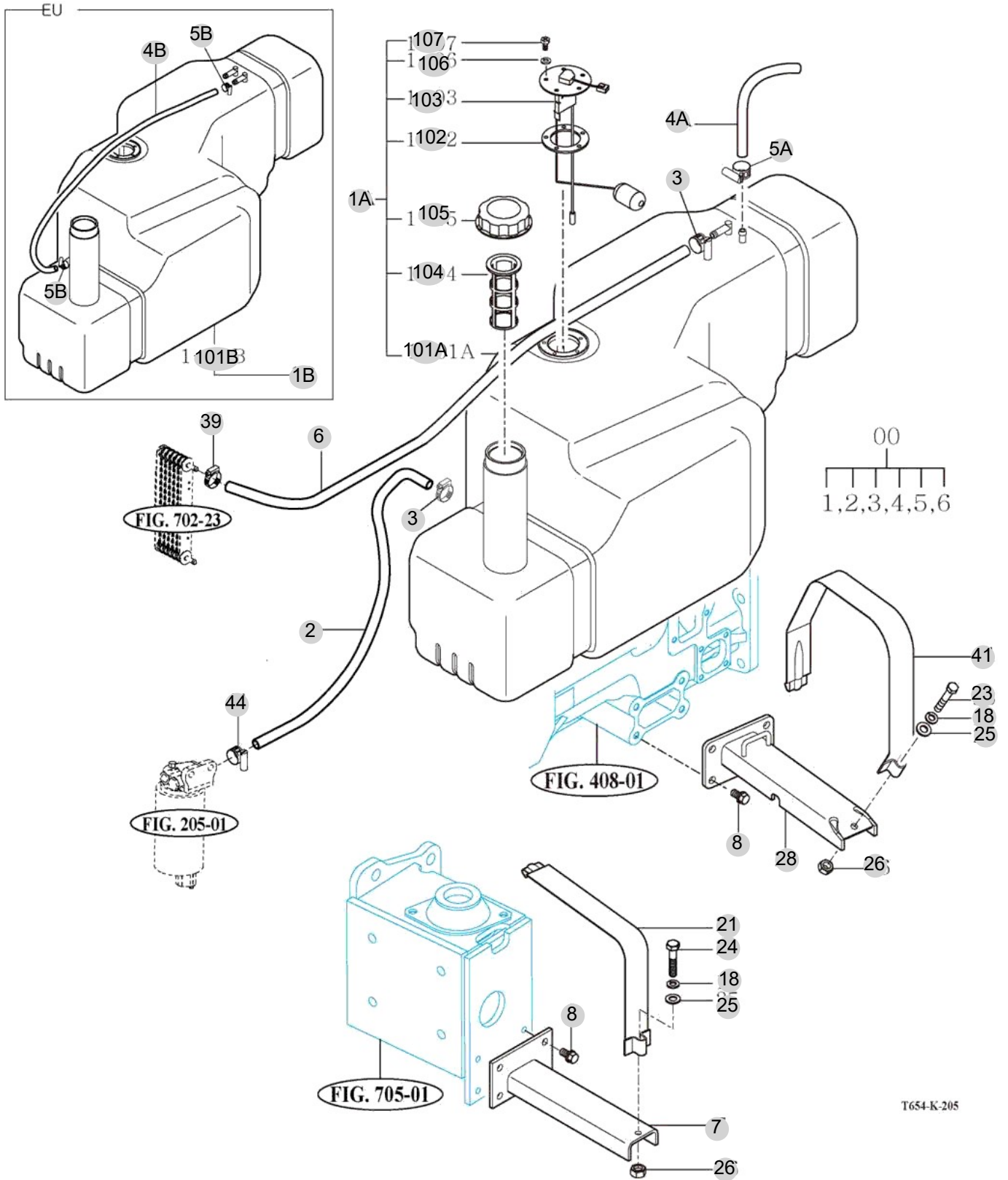
FIG 204

FUEL TANK

년/월
Year/Month

2022-12

T654SM



T654-K-205

NOTE

FIG 206

T654SM

BLOCK HEATER

년/월
Year/Month

2022-12



NOTE

3. Clutch/Brake/Steering PART NO. T3

FIG 301 CLUTCH	86
FIG 302 CLUTCH PEDAL	88
FIG 303 BRAKE	91
FIG 304 BRAKE PEDAL & LINK	93
FIG 305 FRONT WHEEL	95
FIG 306 REAR WHEEL	97
FIG 307 POWER STEERING WHEEL	99
FIG 308 POWER STEERING VALVE	101
FIG 309 POWER STEERING CYLINDER	103

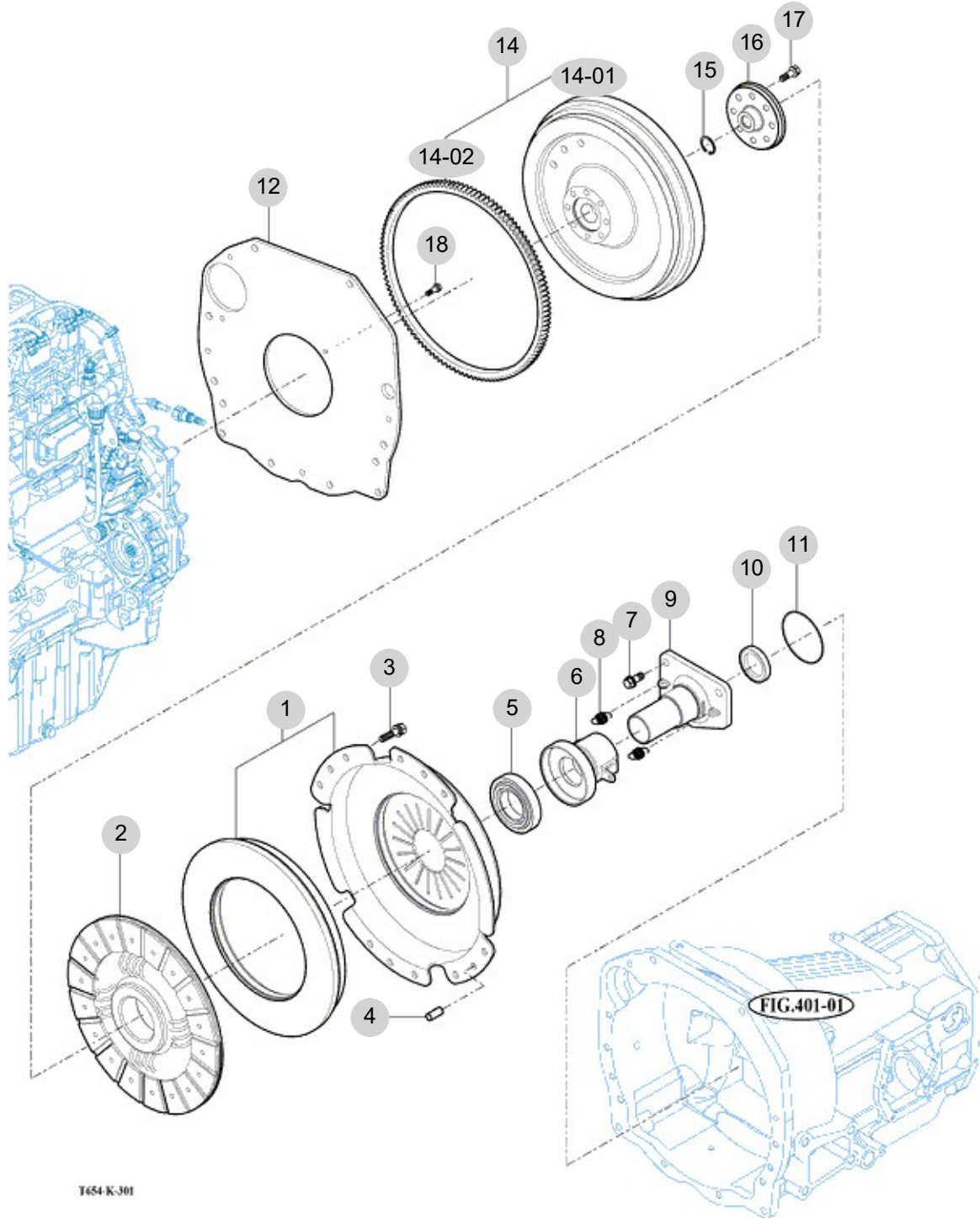
FIG 301

T654SM

CLUTCH

년/월
Year/Month

2022-12



NOTE

FIG 302		CLUTCH PEDAL					년/월 Year/Month		
							2022-12		
T654SM		KEY NO	PART NO	DESCRIPTION	SPEC	QTY	REPAIR	EFFECTIVE DATE	REMARKS
302	1A	15706304200GB	PANEL COMP , DASH			1			
302	2	14326160020	RUBBER , CUSHION	1X1X1		1			
302	3	14216020051	RUBBER , CUSHION B	1X1X1		2			
302	4	V3043600080	NUT , HEX/2	M8		2			
302	5	14041200080	RETURN SPRING , CLUTCH	HL2000공용		3			
302	6	14724042401GB	LEVER COMP , TILT	1X1X1		1			
302	7	V7081400090	E-RING	9		1			
302	8A	21615250020	GRIP , LEVER/RED			1			
302	9	15441230050	ROD	D=5.25 5.3		1			
302	10	V4111600060	WASHER , PLAIN	M6		1			
302	11	V5001920020	PIN , SPLIT	2X20		1			
302	12	18027071991	INSULATOR,DASH			1			
302	13	17686040020	RIVET SET , black	SV625		13			
302	14	14441010161	CLAMP , RADIATOR HOSE	1X1X1		2			
302	15	V2183608016	BOLT , HEX/SP	M8X16		10			
302	16	V2183608020	BOLT , HEX/SP	M8X20		2			
302	18	15276040020	CLIP , TRIM	1X1X1		2			
302	19	19996300010	BOOT,STEERING/HOSE	T=1.5		1			
302	21	14523293301GB	LEVER COMP,PARKING	1X1X1		1			
302	22	V4111600160	WASHER , PLAIN	M16		1			
302	23	V7081400150	E-RING	15		1			
302	24	14321200040	SPRING , TENSION 31	D=1.2		1			
302	25	16756214701	SWITCH ASSY , SAFETY	1X1X1		1			
302	26	V1222604025	SCREW , C/R PAN/SP	M4X25		2			
302	27	19991332100GB	PEDAL COMP , CLUTCH	340*100*150		1			
302	28	V2013608030	BOLT , HEX	M8X30		2			
302	29	V3043600080	NUT , HEX/2	M8		2			
302	30	15701330000GB	ROD SUB , CLUTCH			1			
302	30	15701330000	ROD SUB , CLUTCH			1			
302	30	15701330000	ROD SUB , CLUTCH			1			
302	3001	15701333100	ROD COMP , CLUTCH			1			
302	3002	19991333200	HOOK COMP	66*22*18.5		1			
302	3003	V3042600080	NUT , HEX/2	M8		1			
302	31	14322420010	PIN	D=8		2			
302	32	V4111600100	WASHER , PLAIN	M10		2			
302	33	V5001925020	PIN D2.5x20	2.5X20		2			
302	34	14526300210	BOOT,CLUTCH PEDAL	1X1X1		1			
302	36	V5901012150	WIRE , STEEL	1.2X150		1			
302	38	15701302000	BAR SET			1			
302	38-01	15701302100	BAR COMP			1			
302	38-02	18011300010M	FORK , RELEASE			1			
302	38-03	16791300020	BOLT , FORK/RELEASE			1			
302	40	14521160090	BOOT , BRAKE ROD	1X1X1		2			
302	41	V4111600120	WASHER , PLAIN	M12		1			
302	42	16001200080	RETURN SPRING , BRAKE	1X1X1		1			
NOTE									

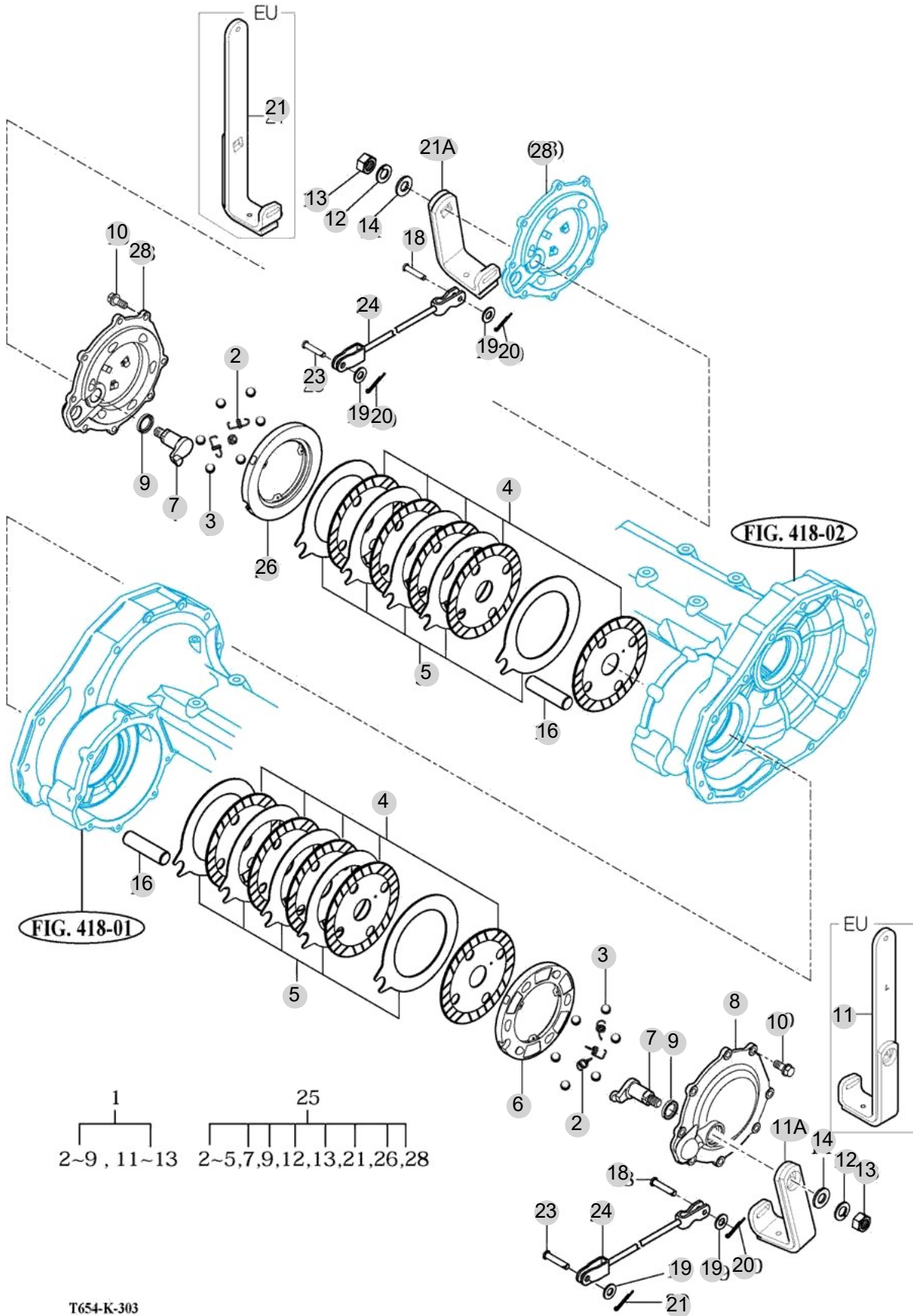
FIG 303

BRAKE

년/월
Year/Month

2022-12

T654SM



1
2~9, 11~13

25
2~5, 7, 9, 12, 13, 21, 26, 28

T654-K-303

NOTE

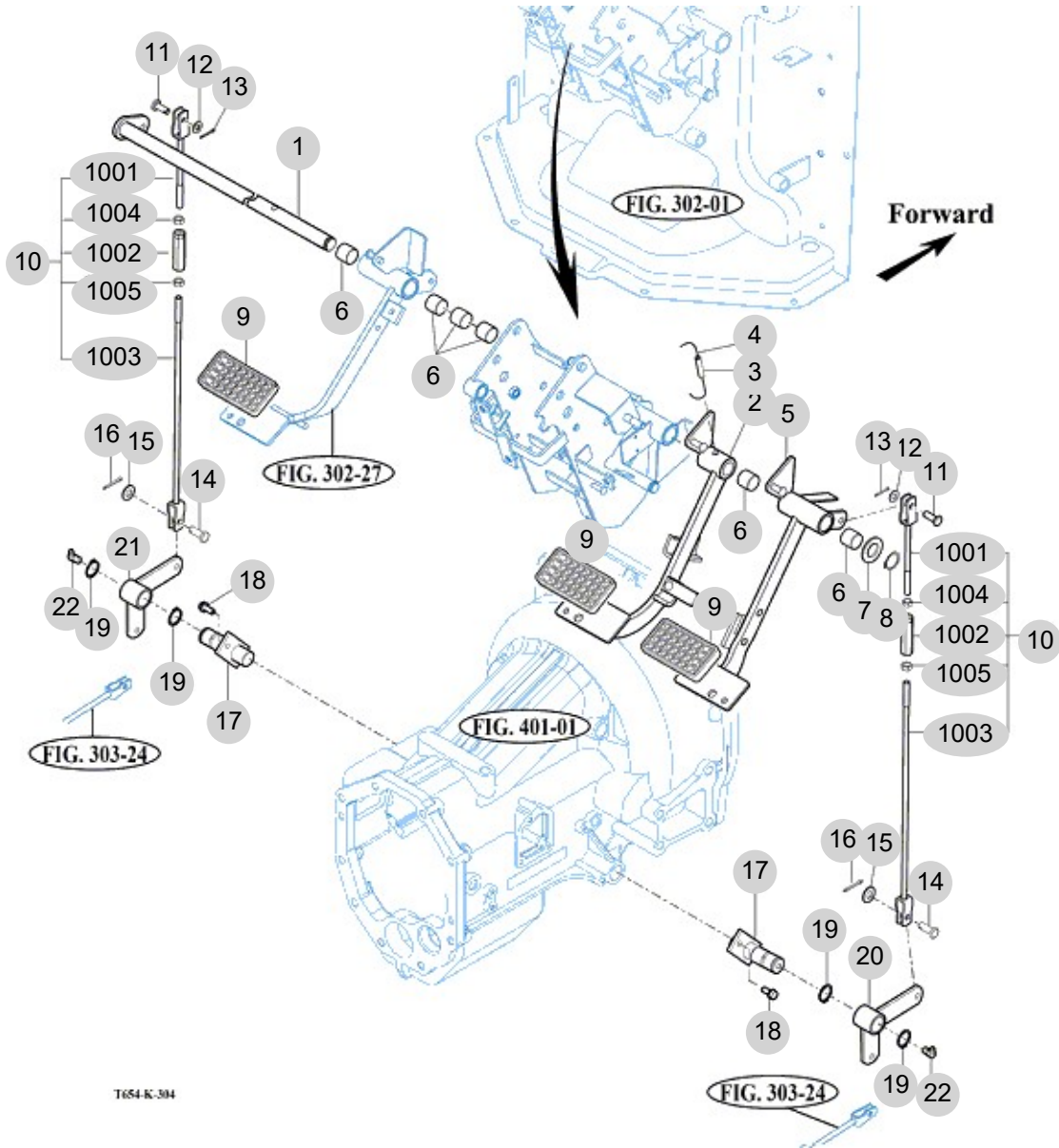
FIG 304

T654SM

BRAKE PEDAL & LINK

년/월
Year/Month

2022-12



T654-K-304

NOTE

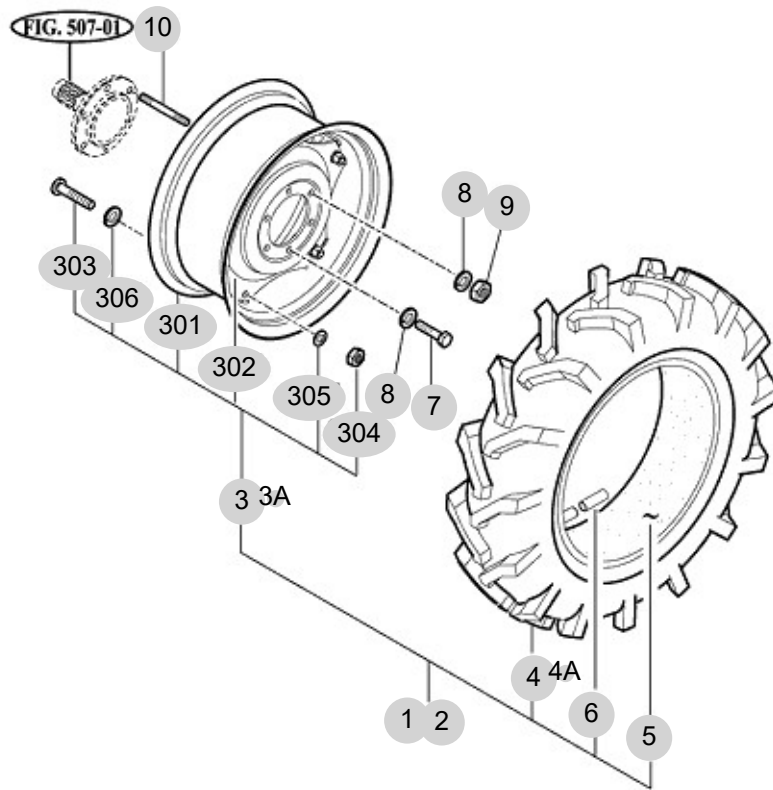
FIG 305

T654SM

FRONT WHEEL

년/월
Year/Month

2022-12



T552/T552NC-K-305A

NOTE

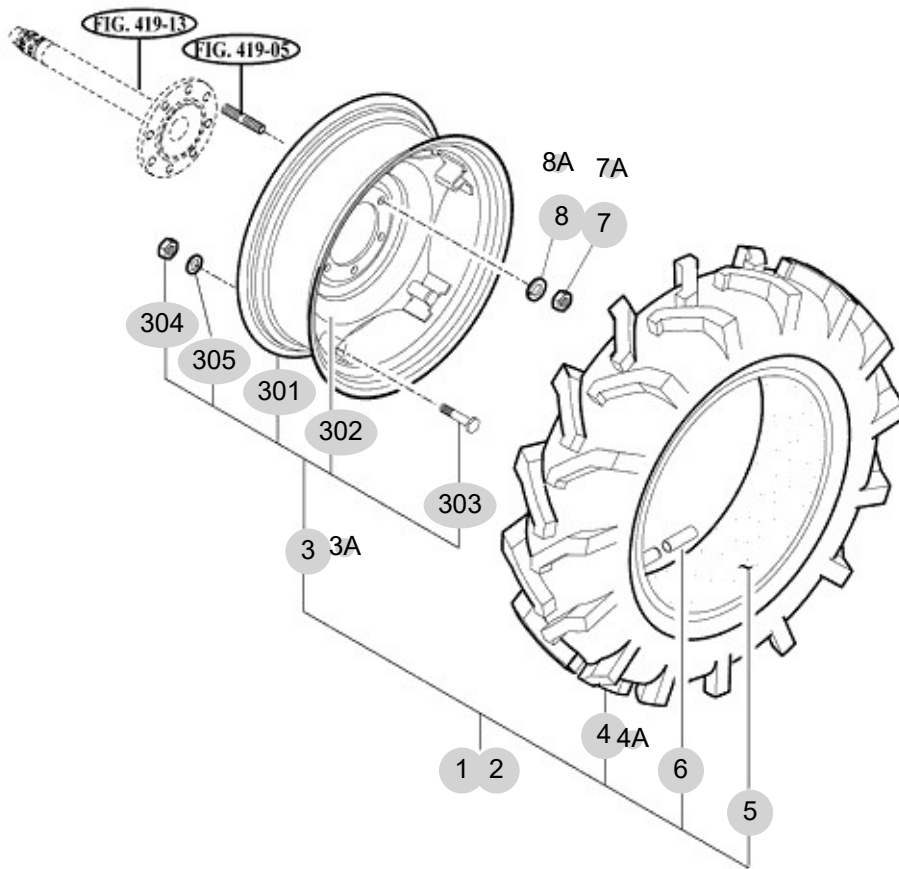
FIG 306

REAR WHEEL

년/월
Year/Month

2022-12

T654SM



T623TQP-K-306

NOTE

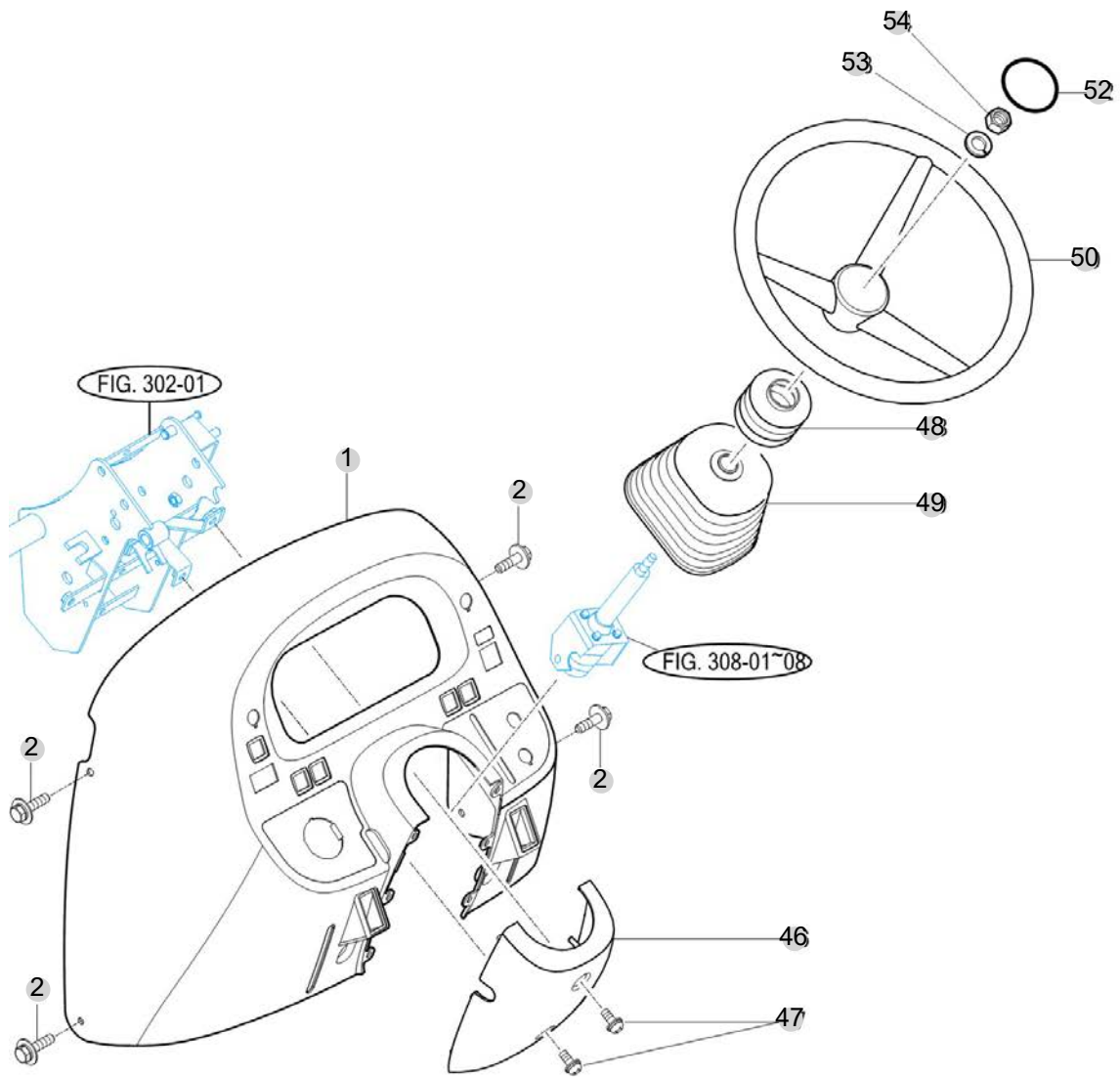
FIG 307

T654SM

POWER STEERING WHEEL

년/월
Year/Month

2022-12



T653-K-307

NOTE

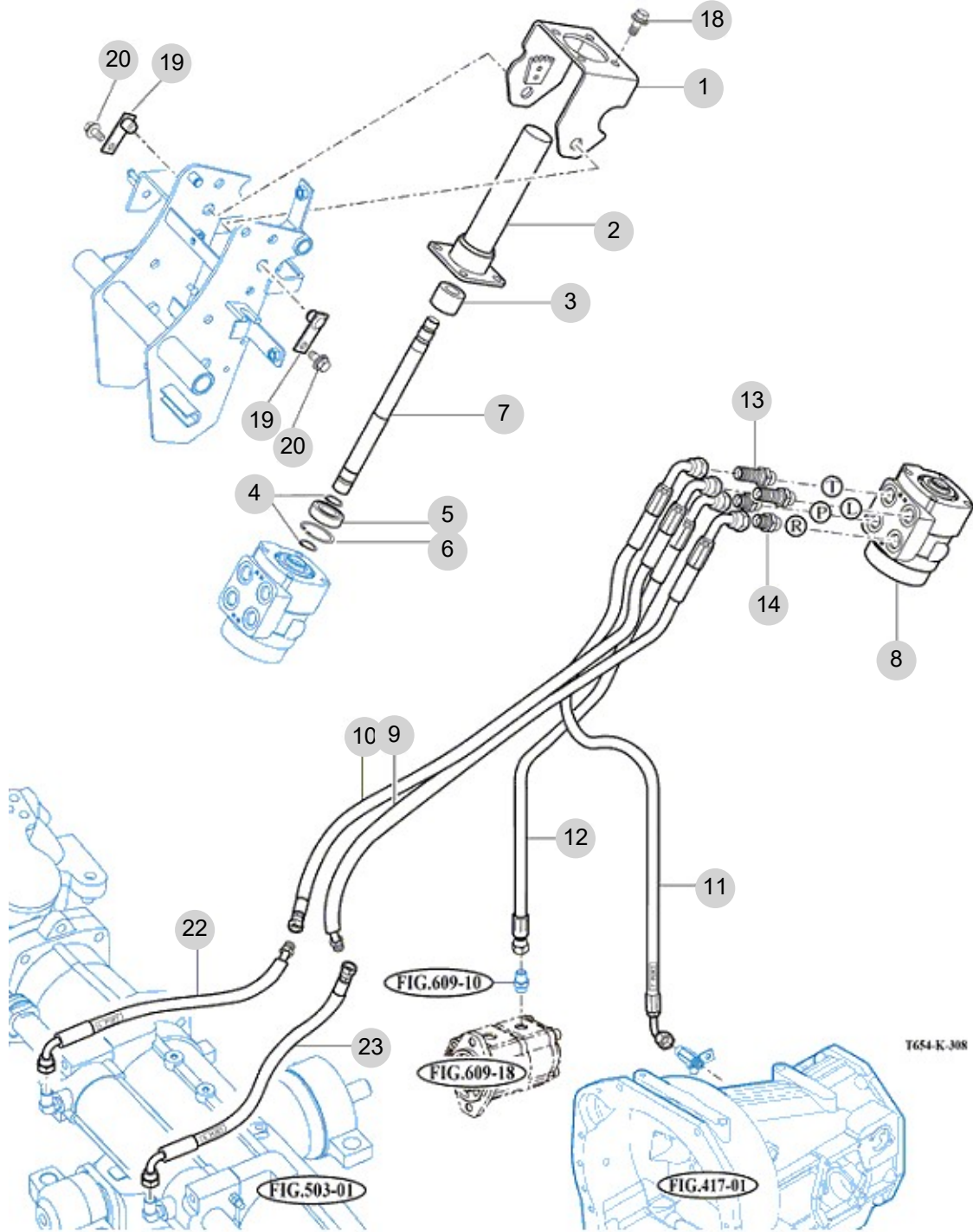
FIG 308

T654SM

POWER STEERING VALVE

년/월
Year/Month

2022-12



NOTE

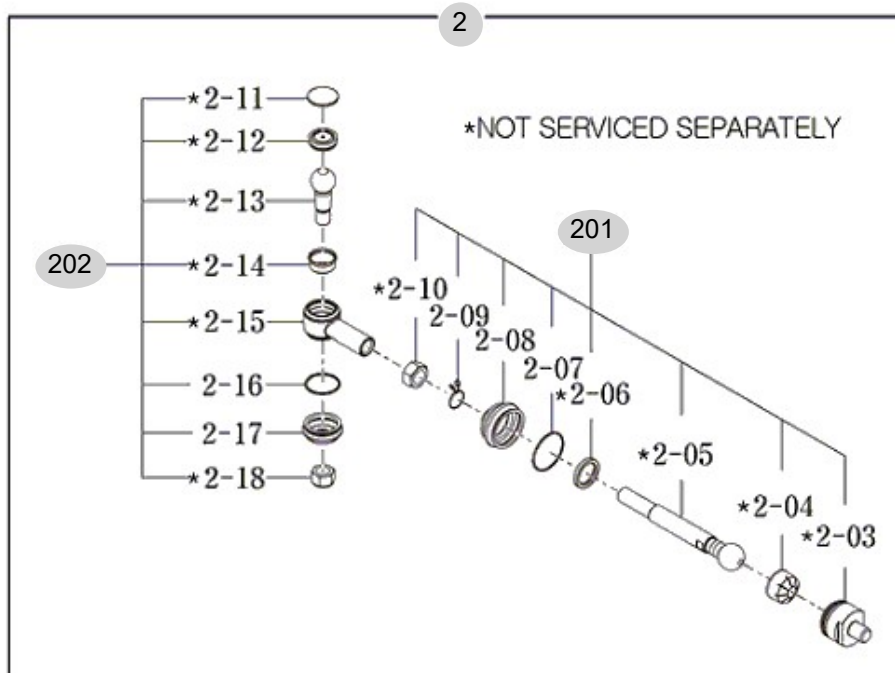
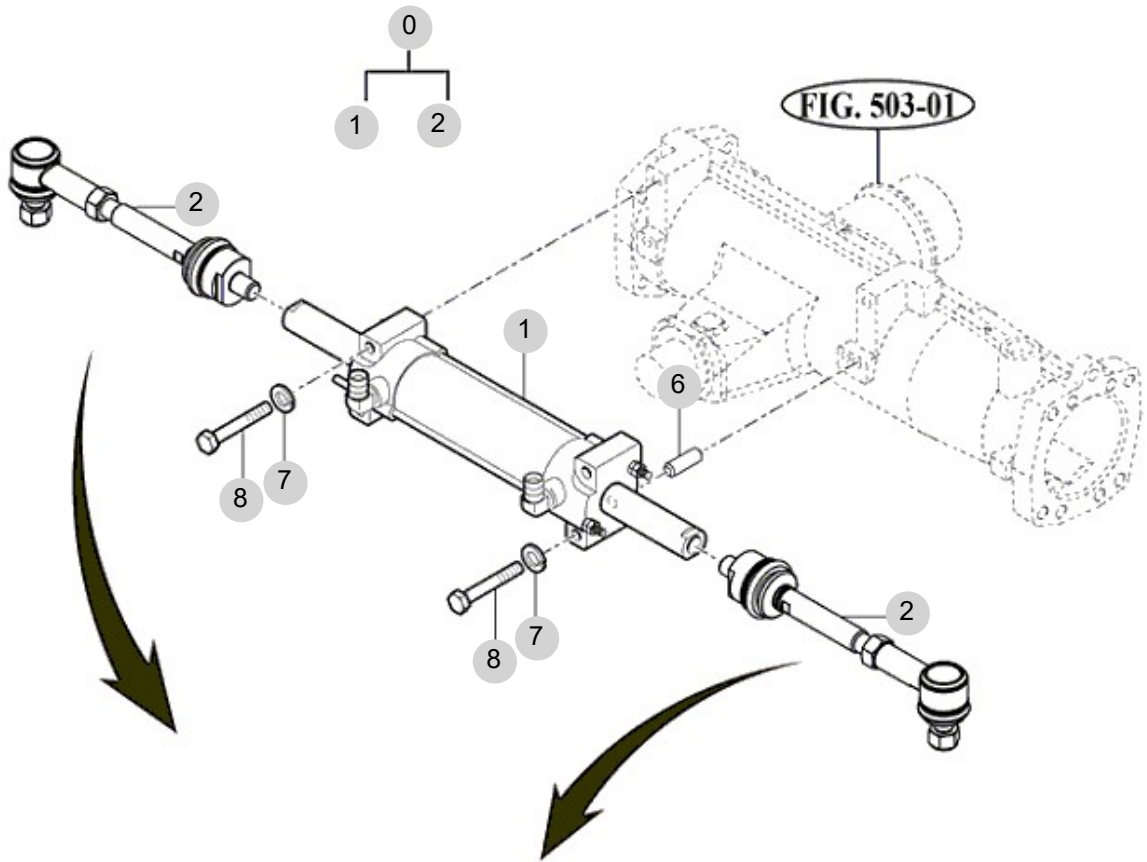
FIG 309

POWER STEERING CYLINDER

년/월
Year/Month

2022-12

T654SM



TX553/653/703-K-309

NOTE

4. Transmission PART NO. T4

FIG 401 TRANSMISSION FRONT CASE	106
FIG 402 FORWARD & BACKWARD GEARS	108
FIG 403 CHANGE GEARS	110
FIG 404 REVERSE GEARS	112
FIG 405 P.T.O DRIVE SHAFT	114
FIG 406 MAIN CHANGE LEVER	116
FIG 407 REVERSE CHANGE LEVER	118
FIG 408 TRANSMISSION MID CASE	120
FIG 409 TRANSMISSION REAR CASE	122
FIG 410 SUB CHANGE GEARS	124
FIG 411 SUB CHANGE SHIFTER	126
FIG 412 CREEP CHANGE	128
FIG 413US DRIVE GEARS	130
FIG 414 4WD CHANGE LEVER	132
FIG 415 P.T.O CHANGE GEARS	134
FIG 416 P.T.O CHANGE SHIFTER	136
FIG 417 REAR DIFFERENTIAL GEARS	138
FIG 418 REAR AXLE HOUSING	141

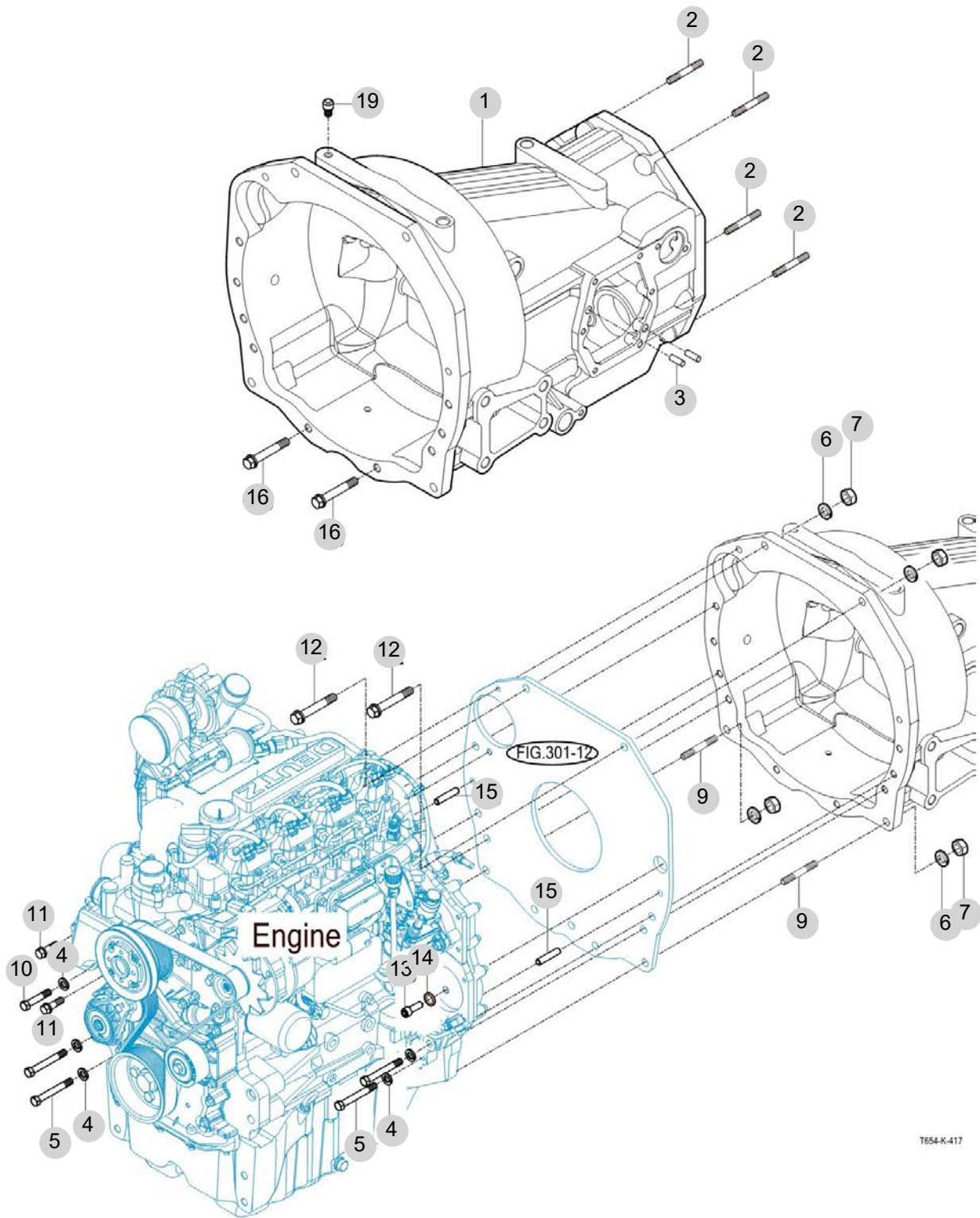
FIG 401

TRANSMISSION FRONT CASE

년/월
Year/Month

2022-12

T654SM



T654-K-417

NOTE

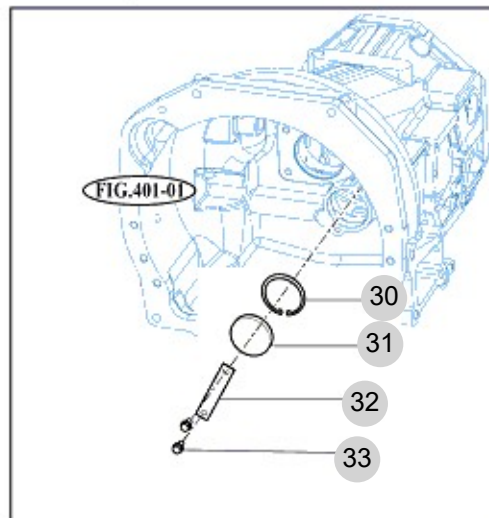
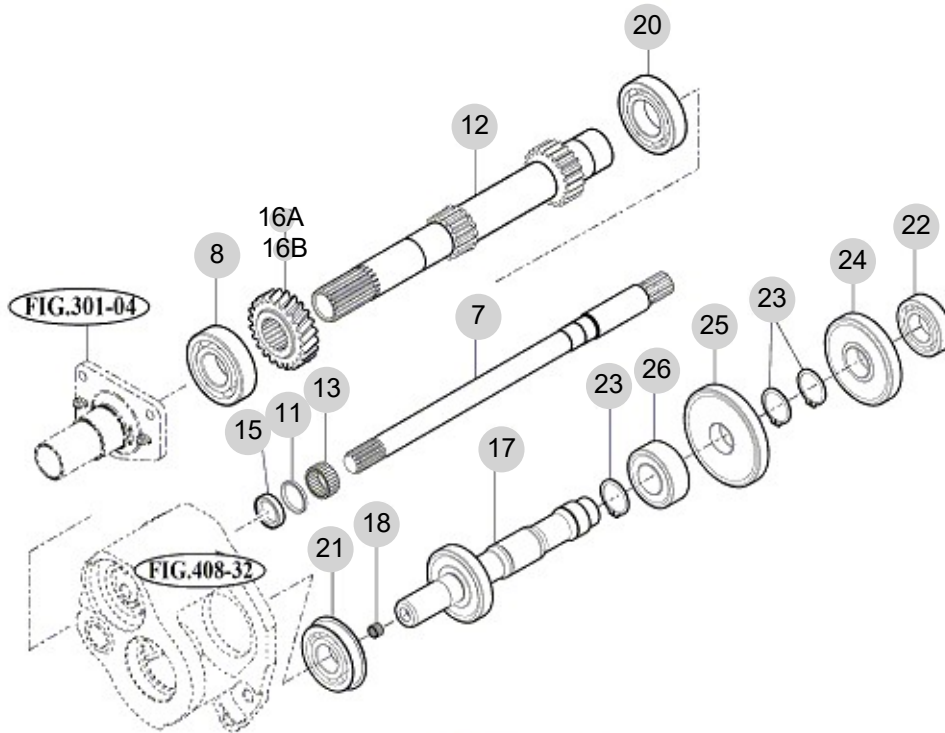
FIG 402

T654SM

FORWARD & BACKWARD GEARS

년/월
Year/Month

2022-12



*NOT SERVICED SEPARATELY

T654-E-402

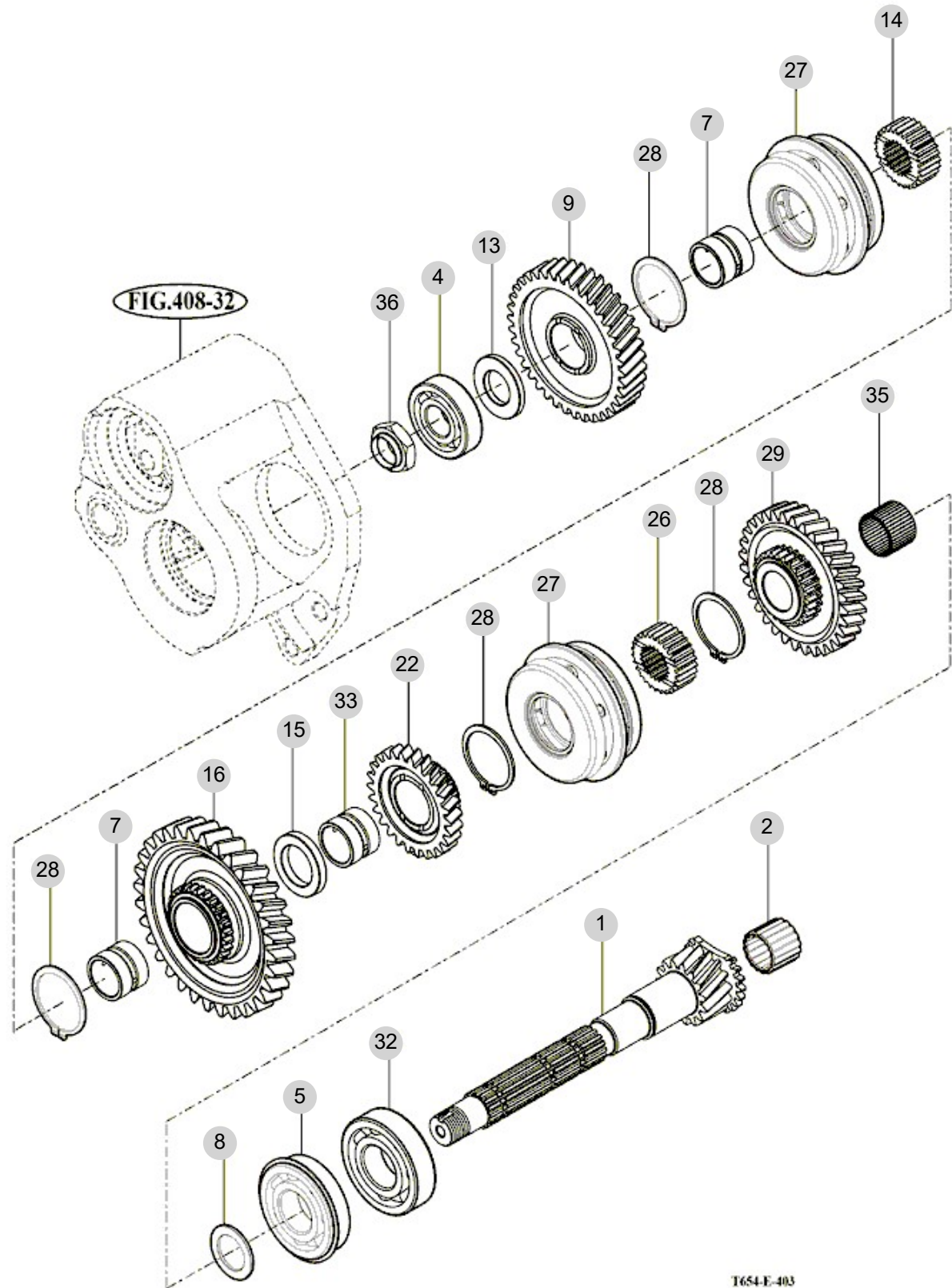
NOTE

FIG 403

CHANGE GEARS

년/월
Year/Month

2022-12



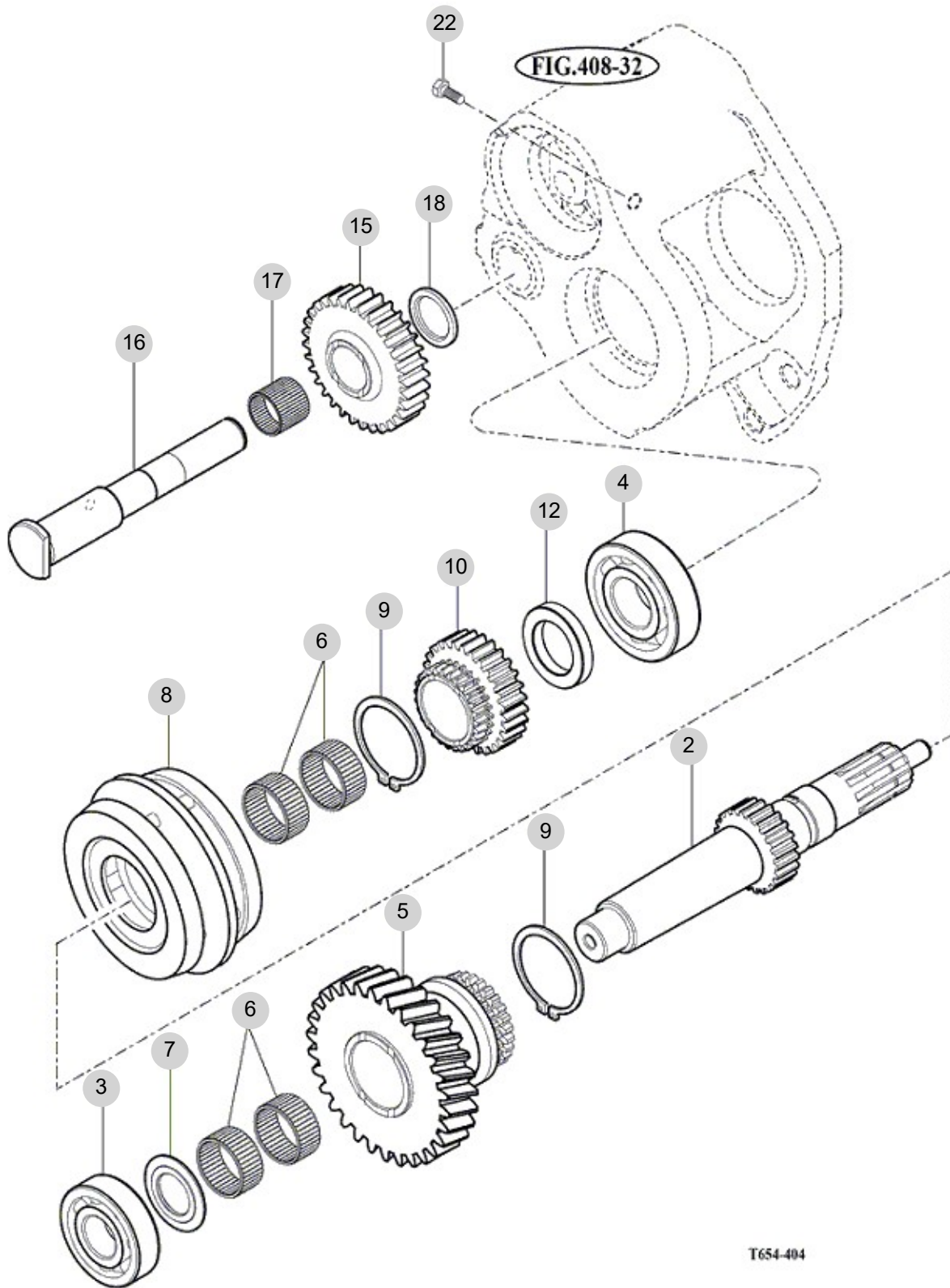
NOTE

FIG 404

REVERSE GEARS

년/월
Year/Month

2022-12



T654-404

NOTE

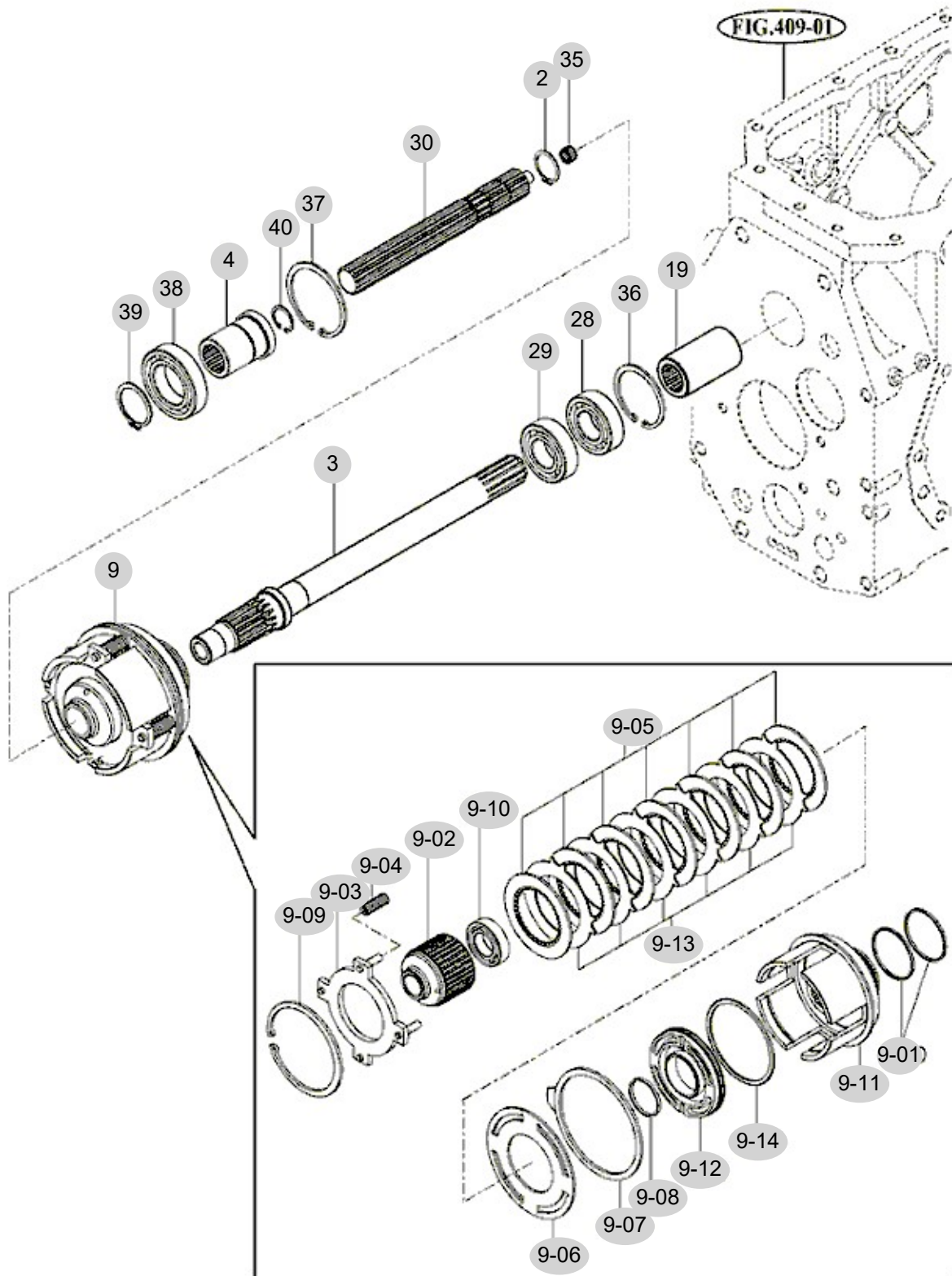
FIG 405

T654SM

P.T.O DRIVE SHAFT

년/월
Year/Month

2022-12



T543/T603-E-405A

NOTE

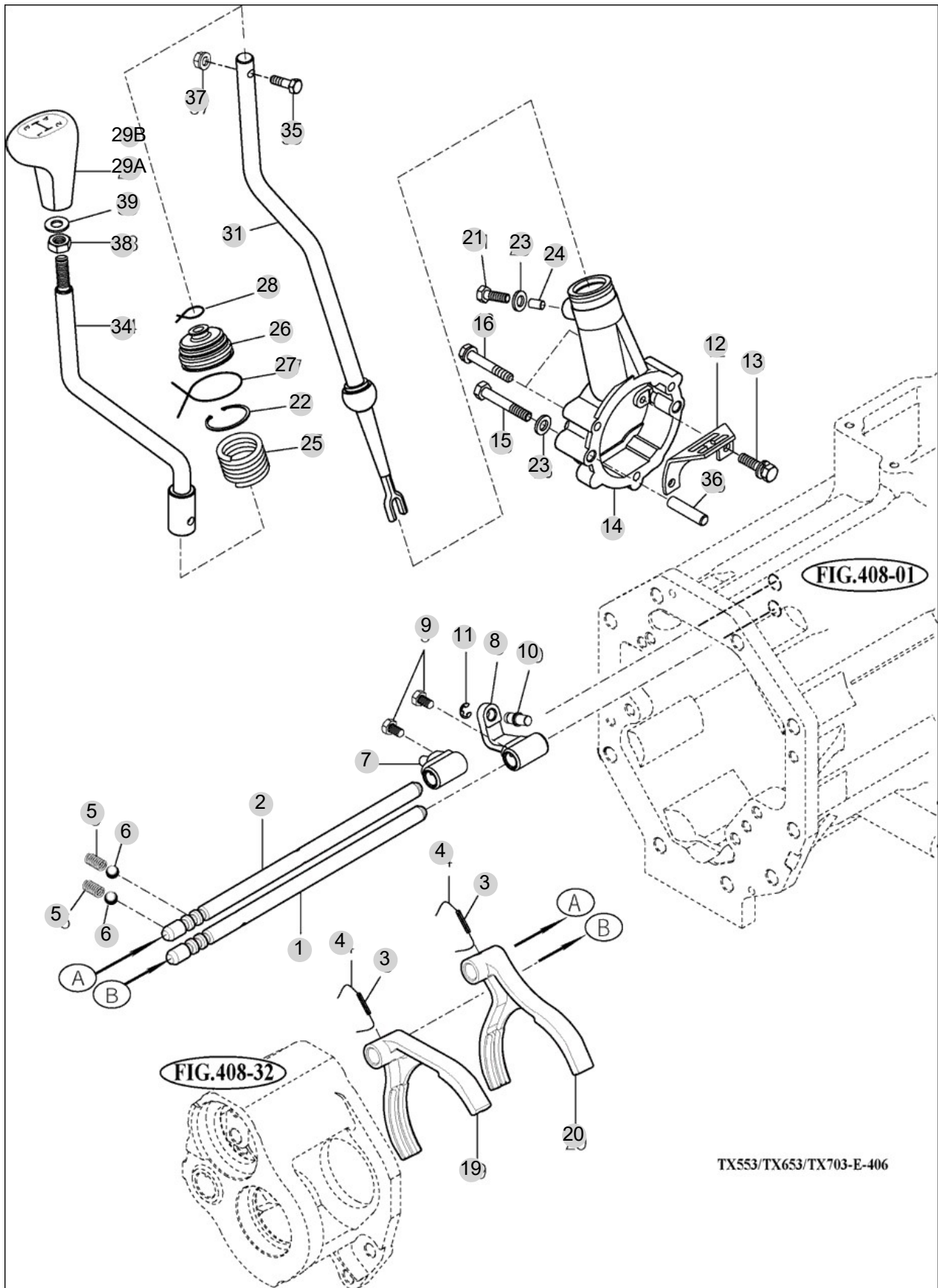
FIG 406

MAIN CHANGE LEVER

년/월
Year/Month

2022-12

T654SM



TX553/TX653/TX703-E-406

NOTE

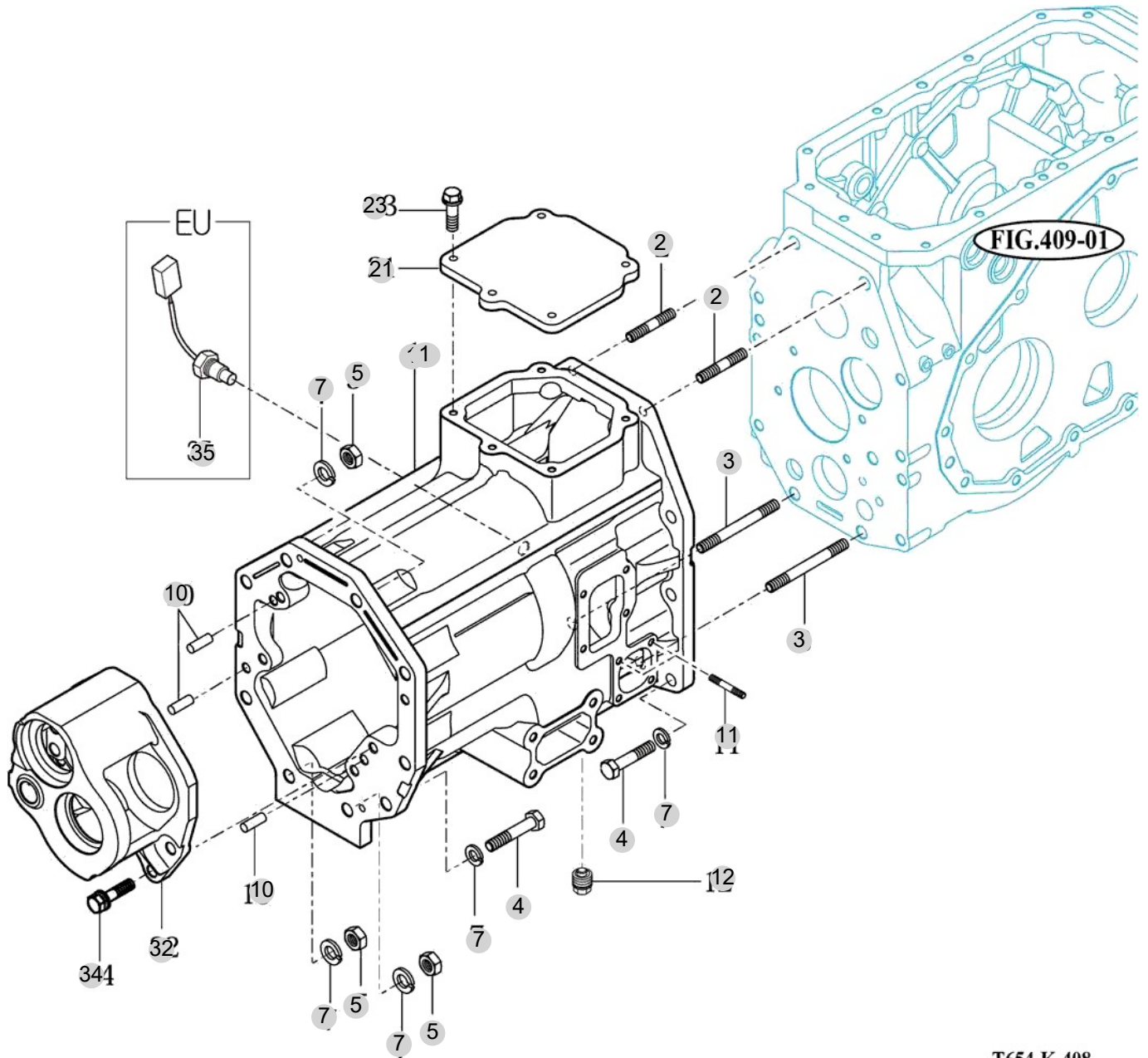
FIG 408

T654SM

TRANSMISSION MID CASE

년/월
Year/Month

2022-12



T654-K-408

NOTE

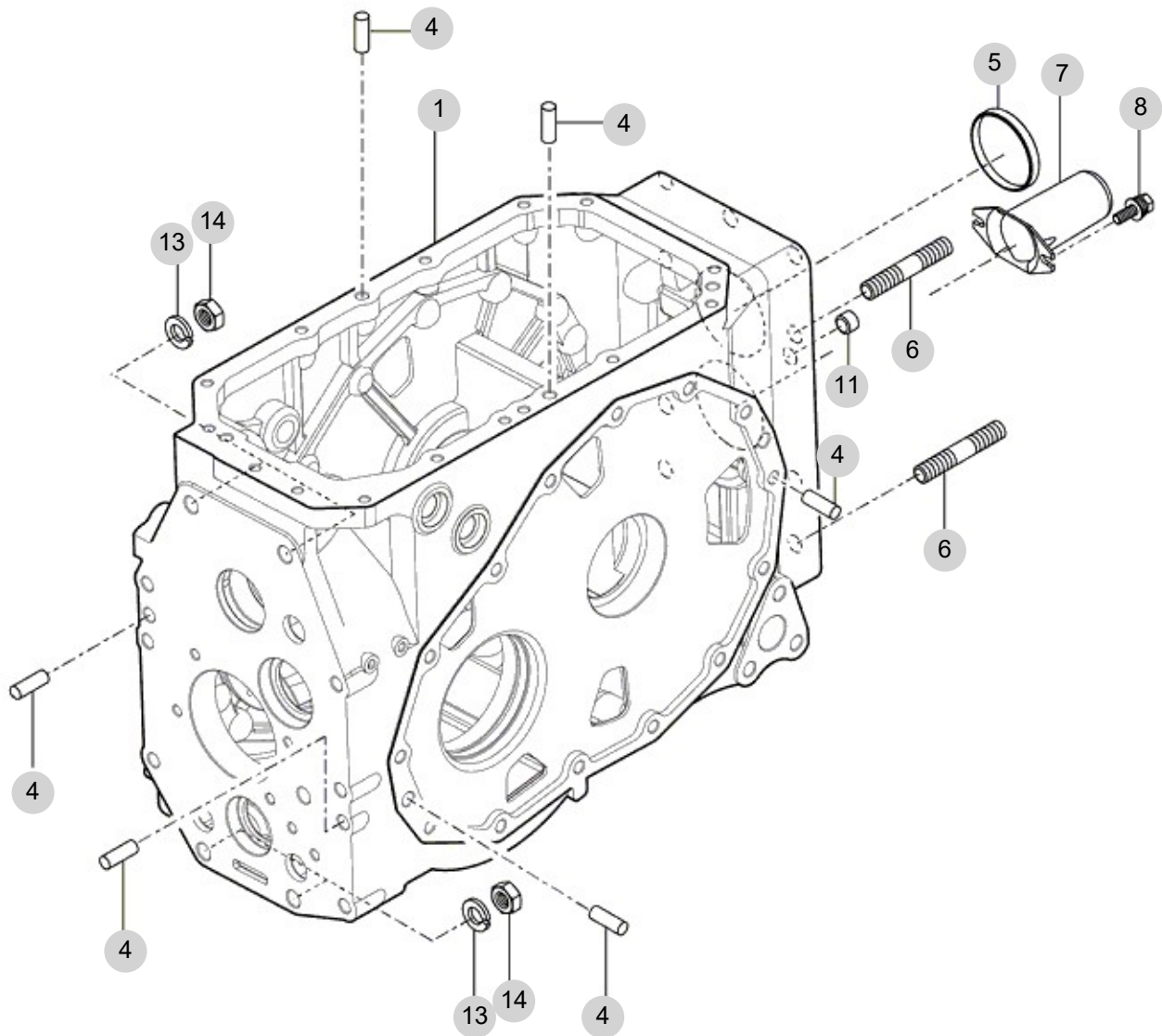
FIG 409

T654SM

TRANSMISSION REAR CASE

년/월
Year/Month

2022-12



TX553/653/703-E-409

NOTE

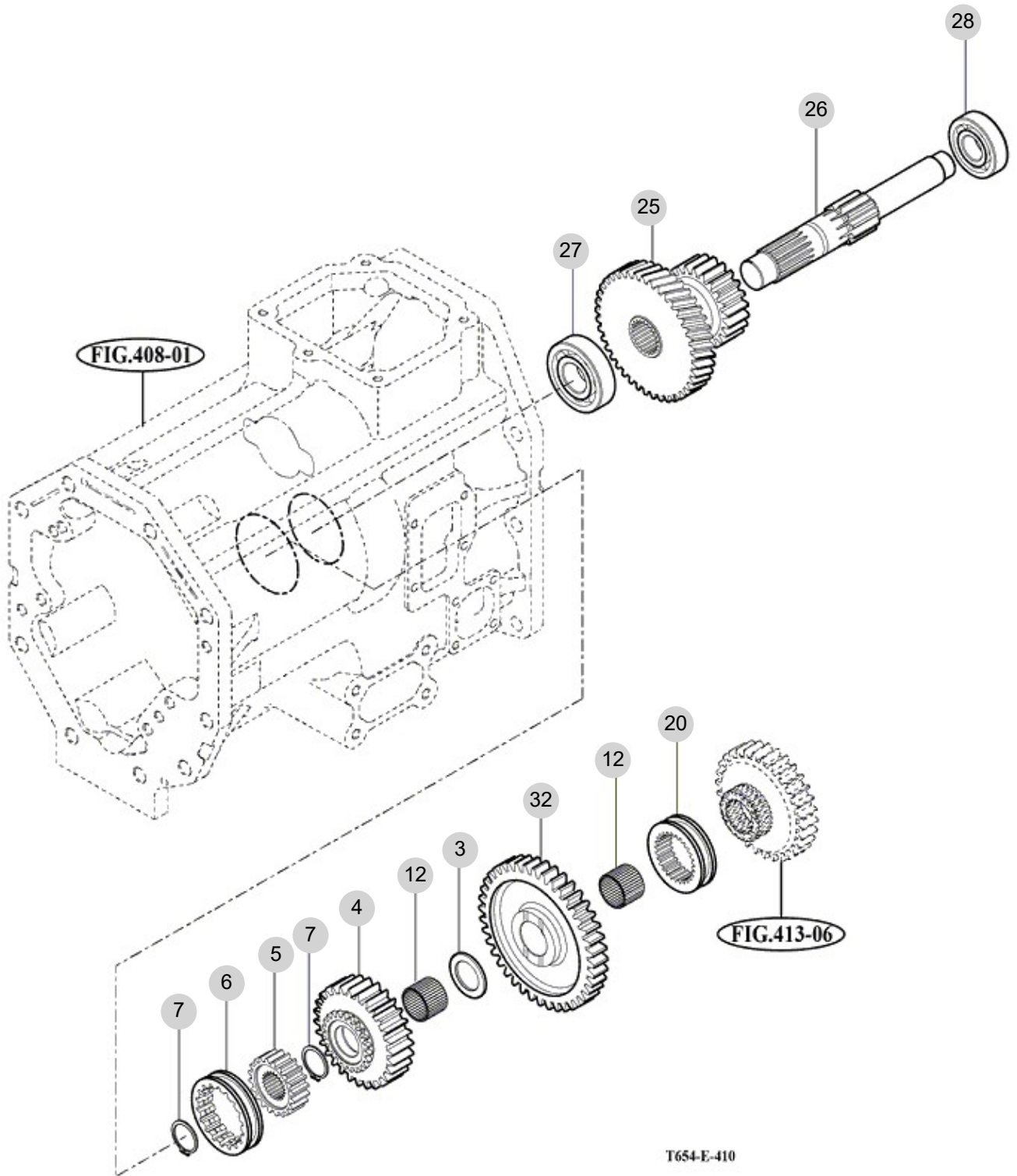
FIG 410

T654SM

SUB CHANGE GEARS

년/월
Year/Month

2022-12



NOTE

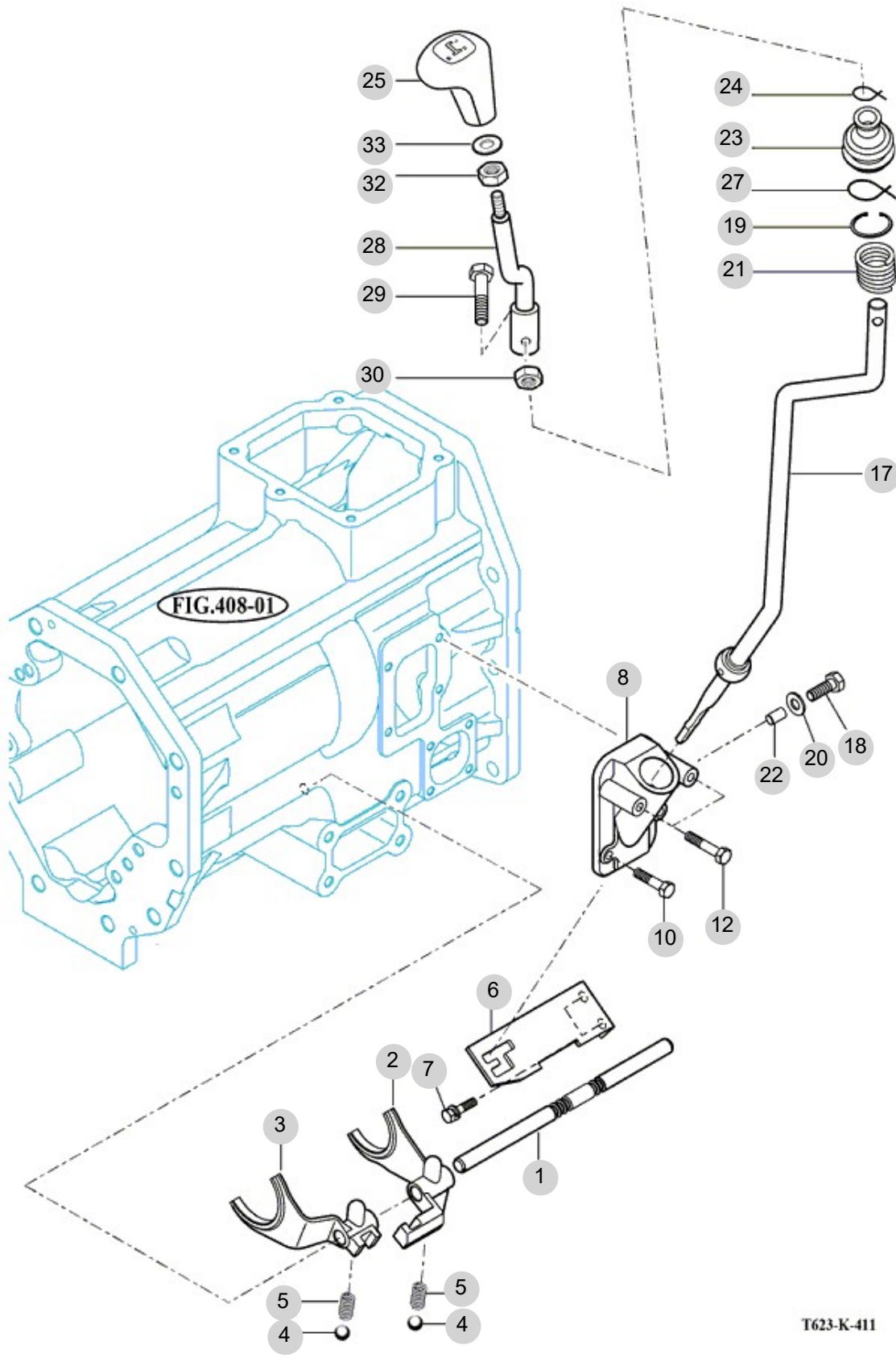
FIG 411

T654SM

SUB CHANGE SHIFTER

년/월
Year/Month

2022-12



T623-K-411

NOTE

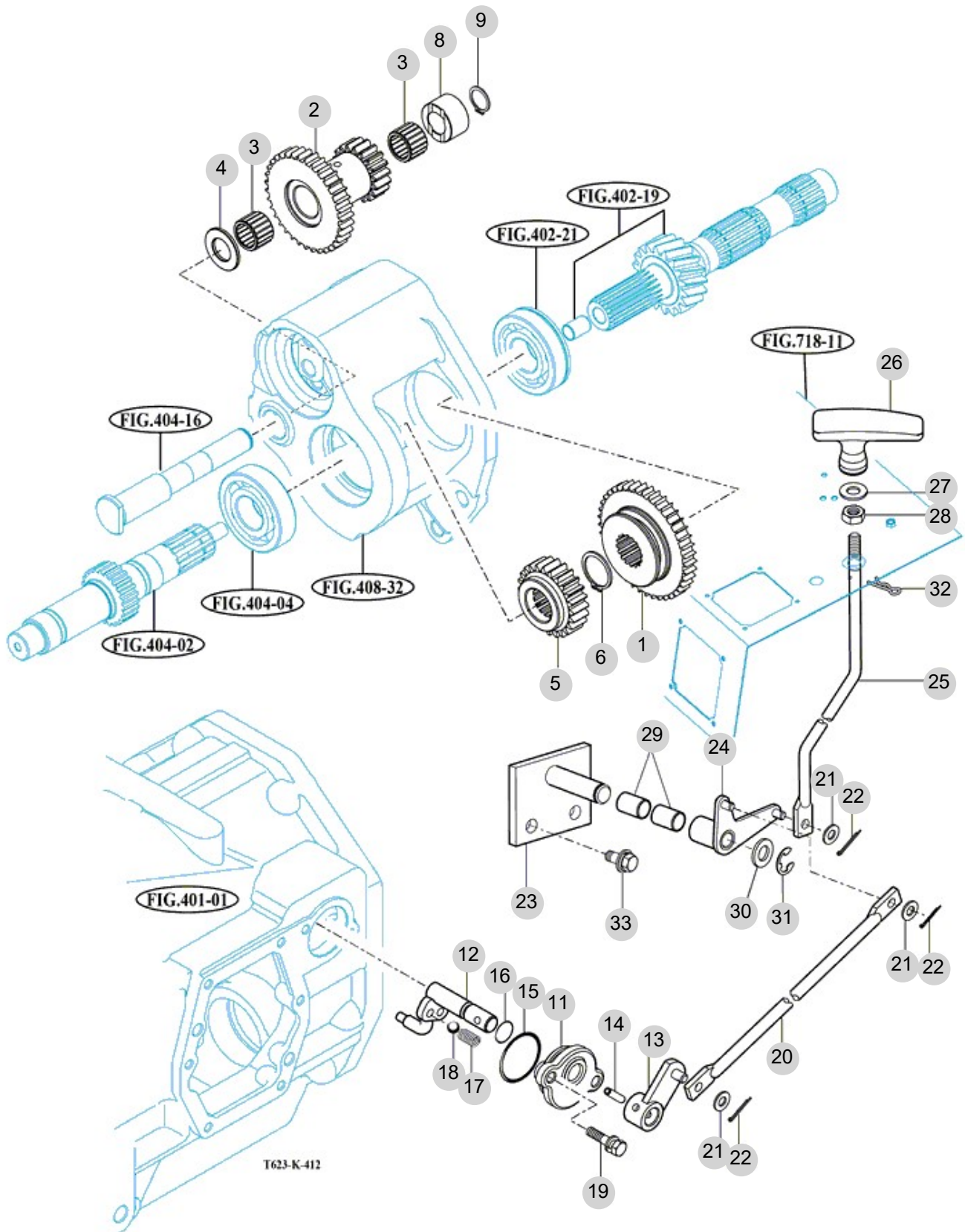
FIG 412

CREEP CHANGE

년/월
Year/Month

T654SM

2022-12



NOTE

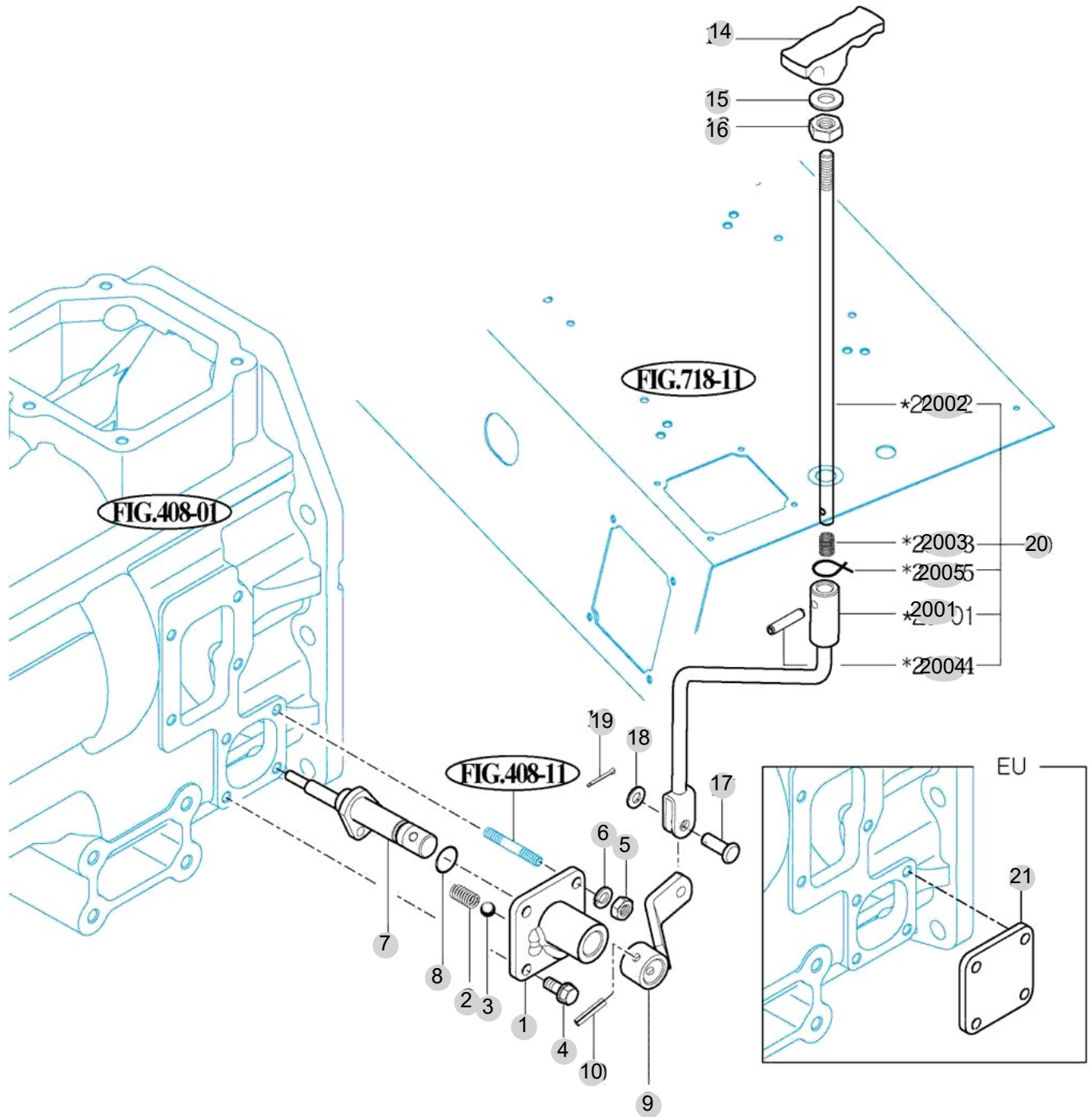
FIG 414

T654SM

4WD CHANGE LEVER

년/월
Year/Month

2022-12



T623-K-414

*NOT SERVICED SEPARATELY

NOTE

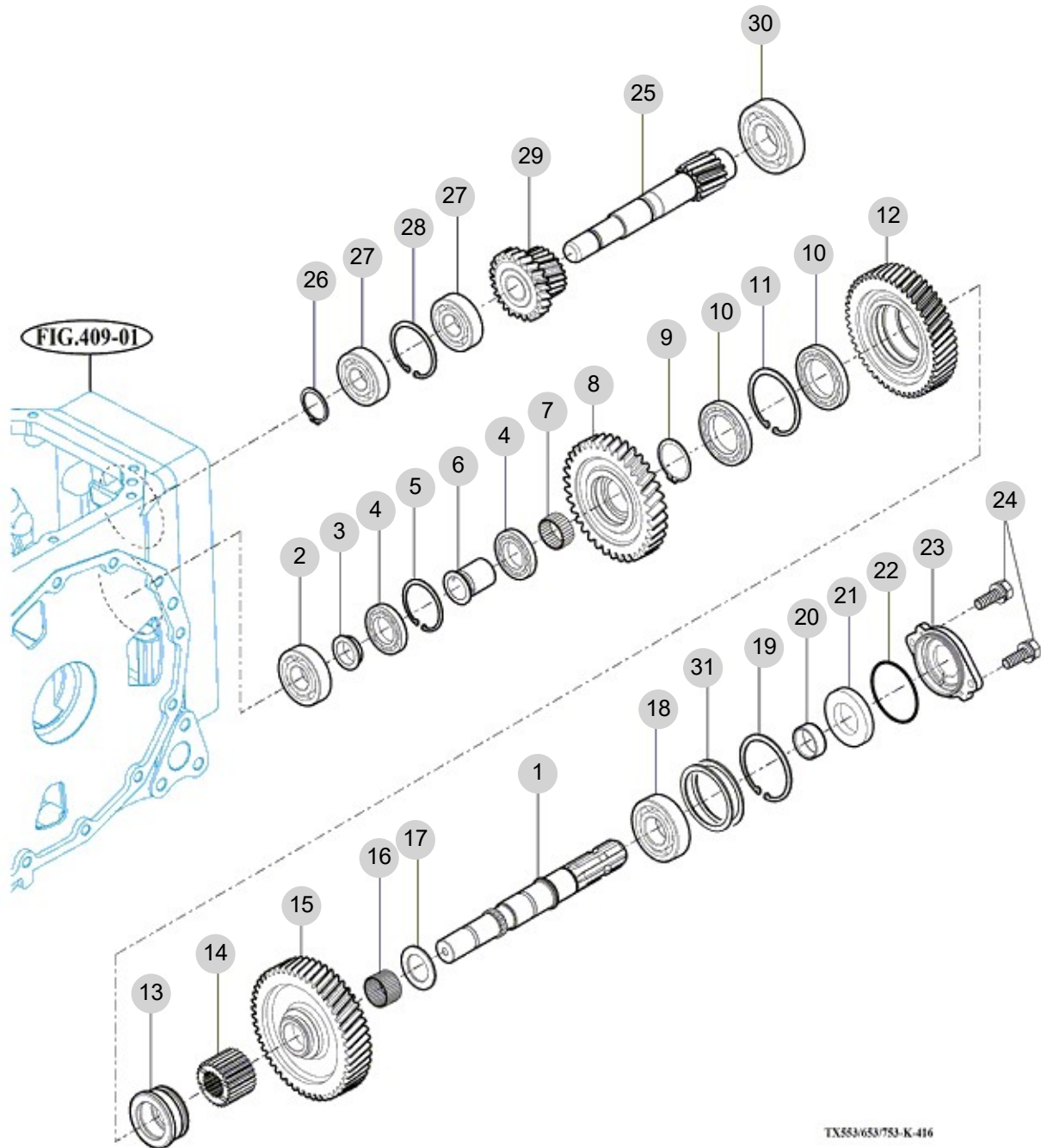
FIG 415

T654SM

P.T.O CHANGE GEARS

년/월
Year/Month

2022-12



TX553/653/753-K-416

NOTE

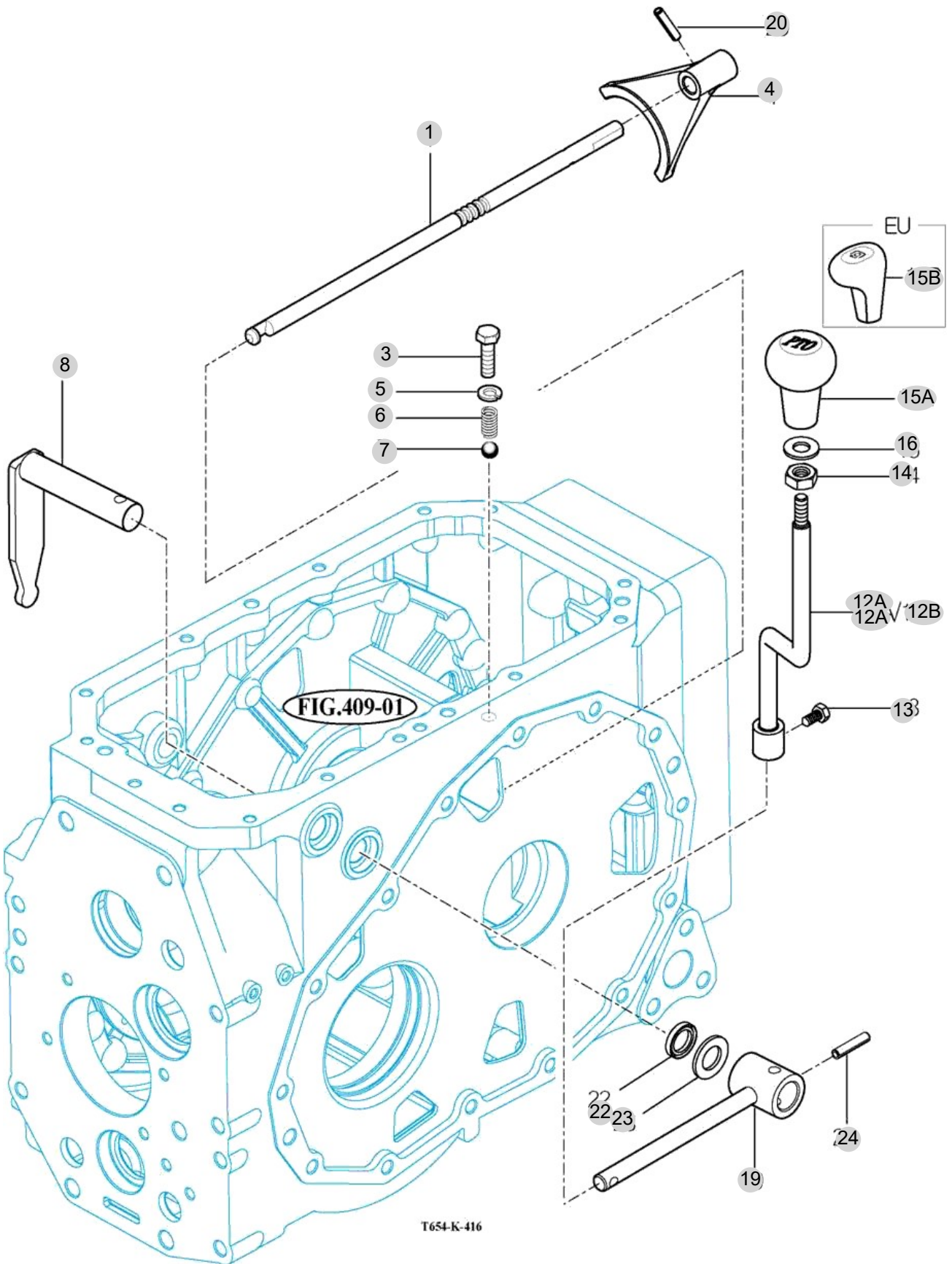
FIG 416

P.T.O CHANGE SHIFTER

년/월
Year/Month

2022-12

T654SM



NOTE

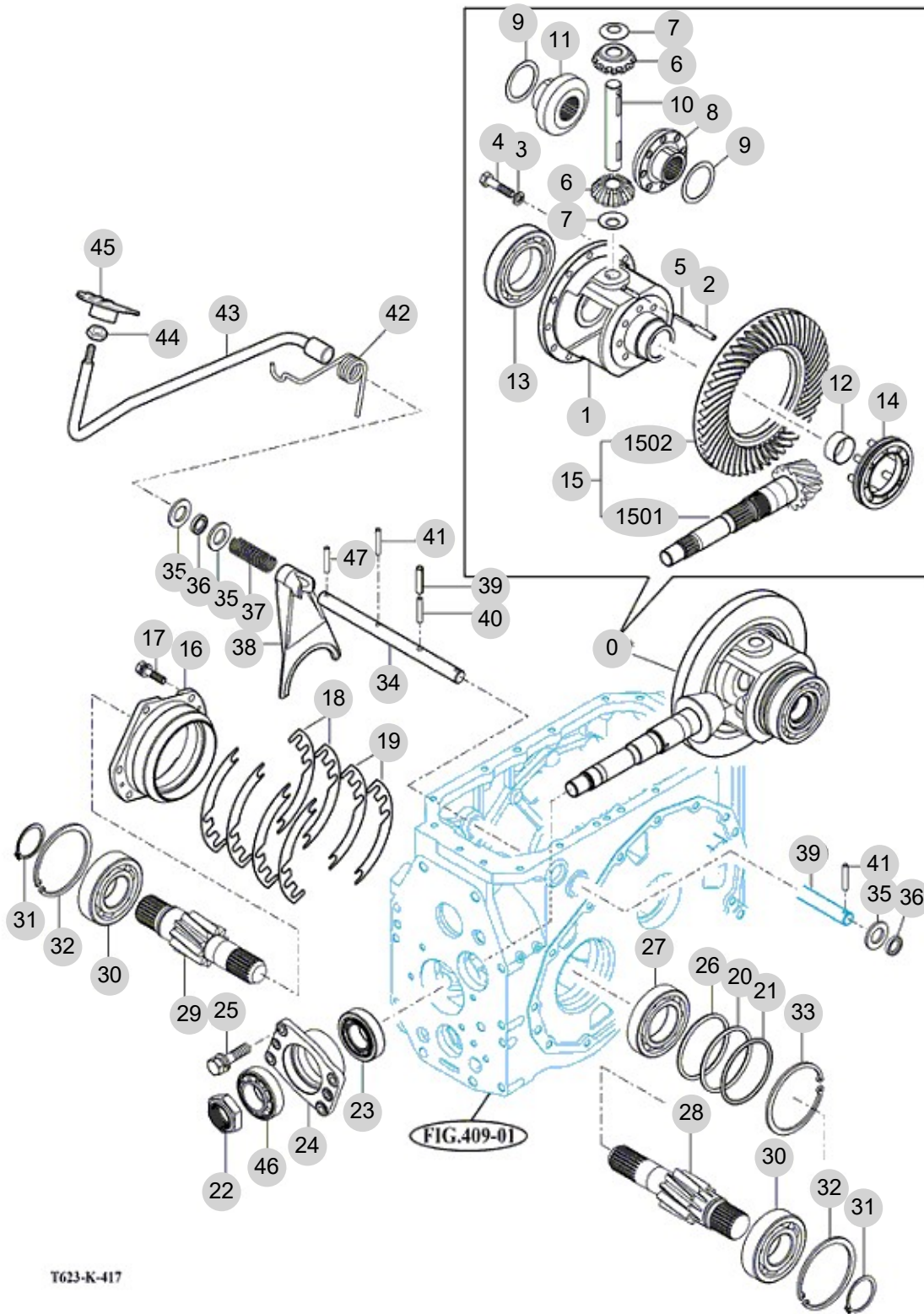
FIG 417

REAR DIFFERENTIAL GEARS

년/월
Year/Month

2022-12

T654SM



T623-K-417

NOTE

FIG 417		REAR DIFFERENTIAL GEARS					년/월 Year/Month		
							2022-12		
T654SM		KEY NO	PART NO	DESCRIPTION	SPEC	QTY	REPAIR	EFFECTIVE DATE	REMARKS
417	0	19963031000	DIFF SET , RR T553	1X1X1	1				
417	1	17973030011M	CASE , DIFF		1				
417	2	V5801408040	PIN , SPRING	8X50	1				
417	3	V4011600100	WASHER , SPRING	M10	12				
417	4	V2024610025	BOLT , HEX FINE	M10X25	12				
417	5	V5801405036	PIN , SPRING	5X36	1				
417	6	17973030060	PINION , DIFF 10	1X1X1	2				
417	7	17973030070	COLLAR , PINION	T=1	2				
417	8	17973030091	GEAR , BEVEL 16LH	1X1X1	1				
417	9	17973030100	COLLAR , THRUST	T=1	2				
417	10	17973030110	SHAFT , DIFF PINION	1X1X1	1				
417	11	17973030121	GEAR , BEVEL 16RH	1X1X1	1				
417	12	17973030030	BUSH , 40X44X20	404420	1				
417	13	V6001106214	BEARING , BALL	6214	1				
417	14	17973033400	SLEEVE COMP	1X1X1	1				
417	15	19963022100	GEAR SET , 11-48T		1				
417	1501	19963022110	PINION , BEVEL 11T	1X1X1	1				
417	1502	17973022120	GEAR , BEVEL 48T	1X1X1	1				
417	16	17973030131M	METAL , DIFF		1				
417	17	V2173610030	BOLT , HEX/S	M10X30	6				
417	18	17973030160	SHIM , 0.2	T=0.2	8				
417	19	17973030150	SHIM , 0.1	1X1X1	2				
417	20	17973030201	SHIM , 95X109.8X1.5	T=1.5	1				
417	21	14523010050	SHIM , 0.1	T=0.1	1				
417	22	17973030020	NUT , M40 P1,5	육각B=55	1				
417	23	V6321132208	BEARING , TAPER-ROLLER		1				
417	24	15703010040M	METAL , PINION		1				
417	25	V2173610035	BOLT , HEX/S	M10X35	4				
417	26	14523010100	SHIM , 0.2	T=0.2	1				
417	27	V6001106212	BEARING , BALL	6212	1				
417	28	19963030280	PINION , LH WHEEL	1X1X1	1				
417	29	19963030290	PINION , RH WHEEL	1X1X1	1				
417	30	V6001106310	BEARING , BALL	6310	2				
417	31	V7041400500	C-RING , SHAFT	50	2				
417	32	V7051401100	C-RING , HOLE	110	2				
417	33	V7051401100	C-RING , HOLE	110	1				
417	34	17973030391	SHAFT , DIFF LOCK	D=20	1				
417	35	V4111600200	WASHER , PLAIN	M20	3				
417	36	V7421203007	SEAL , OIL/G	G203006	2				
417	37	17973030420	SPRING	(D=3.6) X22.5X74.5	1				
417	38	17973030431M	FORK , DIFF		1				
417	39	V5801408036	PIN , SPRING	8X36	1				
417	40	V5801405036	PIN , SPRING	5X36	1				
417	41	V5801406032	PIN , SPRING	6X32	2				
417	42	14523160020	SPRING , DIFF PEDAL	D=5.5	1				
NOTE									

5. Front Axle PART NO. T5

FIG 501 FRONT AXLE SUPPORT	144
FIG 502 FRONT DRIVE SHAFT	146
FIG 503 FRONT AXLE HOUSING	148
FIG 504 FRONT DIFFERENTIAL GEARS	150
FIG 505 FRONT GEAR CASE (1)	152
FIG 506 FRONT GEAR CASE (2)	154
FIG 507 FRONT GEAR CASE (3)	156

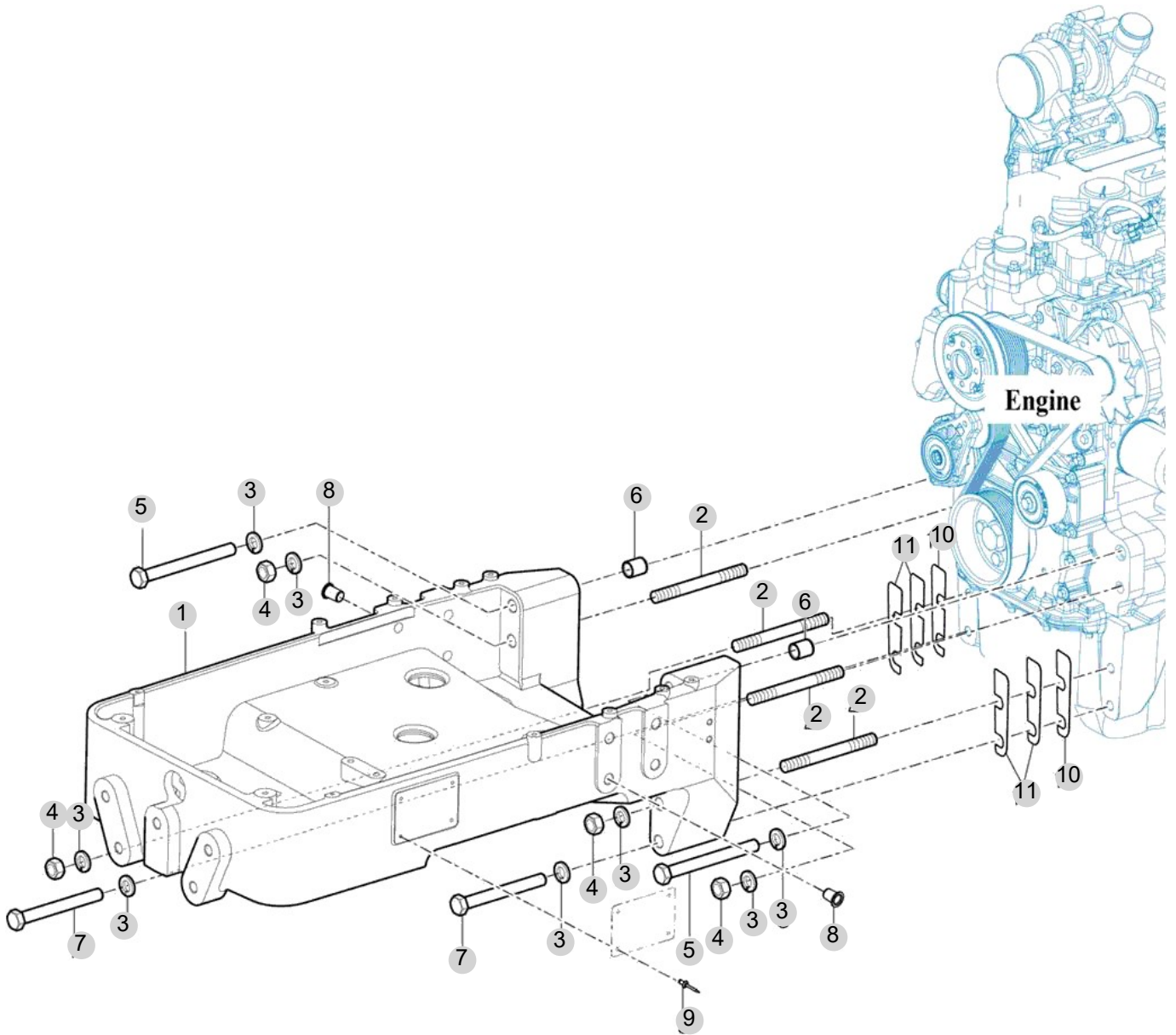
FIG 501

FRONT AXLE SUPPORT

년/월
Year/Month

2022-12

T654SM



T754-K-501

NOTE

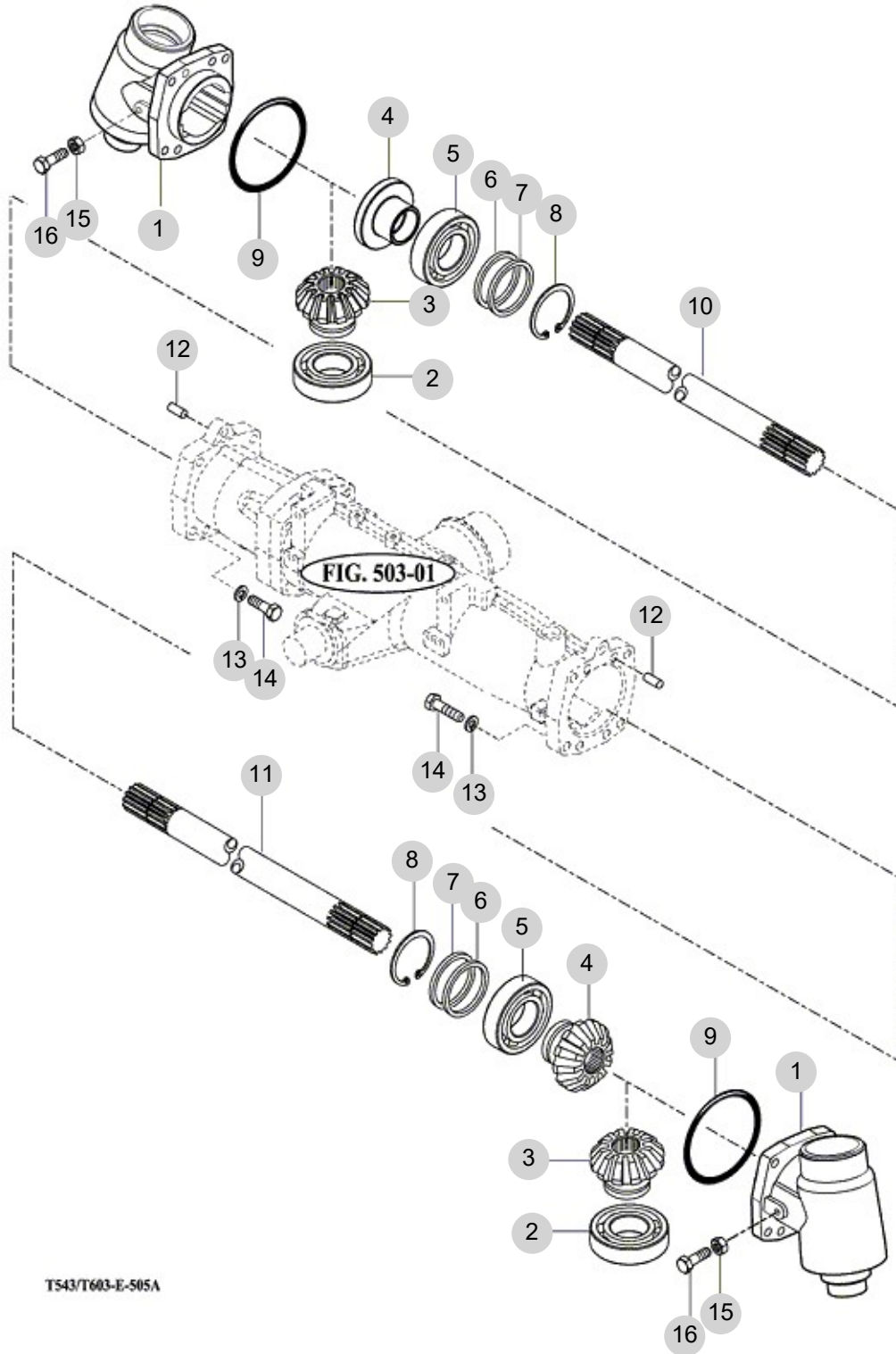
FIG 505

T654SM

FRONT GEAR CASE (1)

년/월
Year/Month

2022-12



T543/T603-E-505A

NOTE

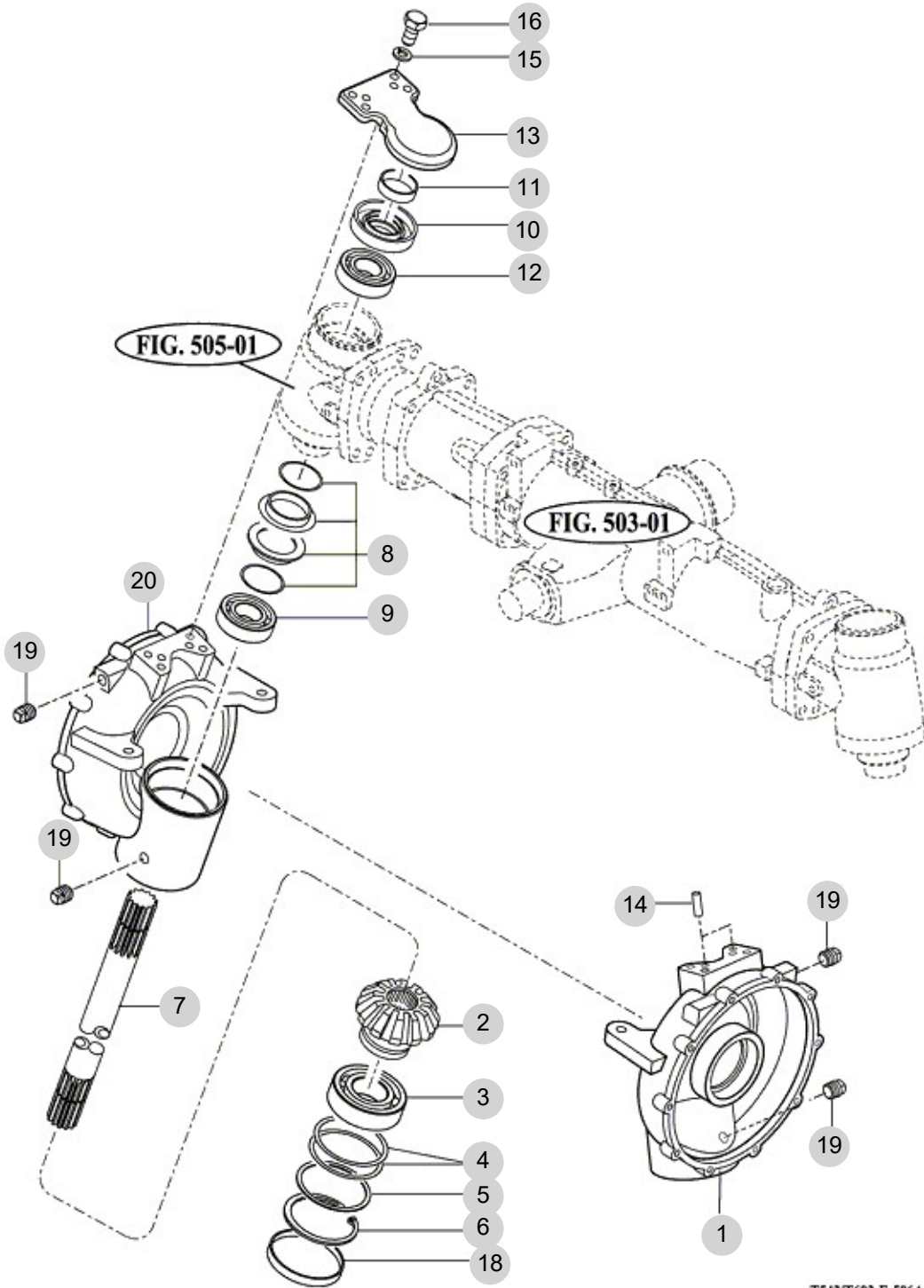
FIG 506

T654SM

FRONT GEAR CASE (2)

년/월
Year/Month

2022-12



T543/T603-E-506A

NOTE

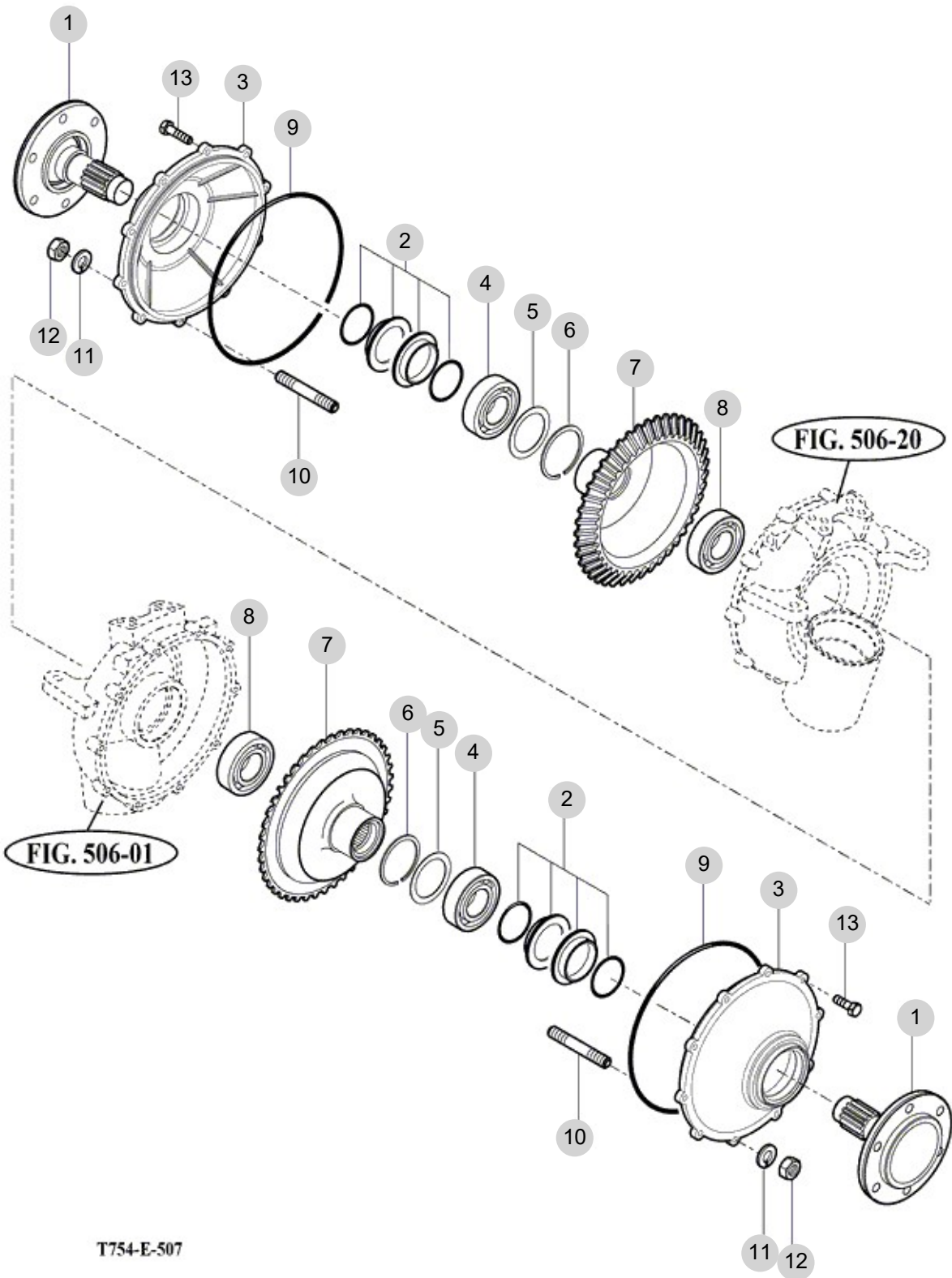
FIG 507

T654SM

FRONT GEAR CASE (3)

년/월
Year/Month

2022-12



NOTE

6. Hydraulic/3P-Link PART NO. T6

FIG 601 CYLINDER CASE	159
FIG 602 LIFT ARM	161
FIG 603 CYLINDER	163
FIG 604 POSITION LINK	165
FIG 605 CONTROL VALVE	167
FIG 606 DRAFT LINK	169
FIG 607 POSITION & DRAFT LEVER	171
FIG 608 EXTERIOR HYD. VALVE(OPTION_6P)	174
FIG 608 EXTERIOR HYD. VALVE	176
FIG 609 HYDRAULIC PIPE	178
FIG 610 JOYSTICK	180
FIG 611A HITCH & 3-P LINK (US)	182
FIG 612A LOWER LINK & LIFT ROD(US)	185
FIG 613 HYDRAULIC HOSE(US)	187

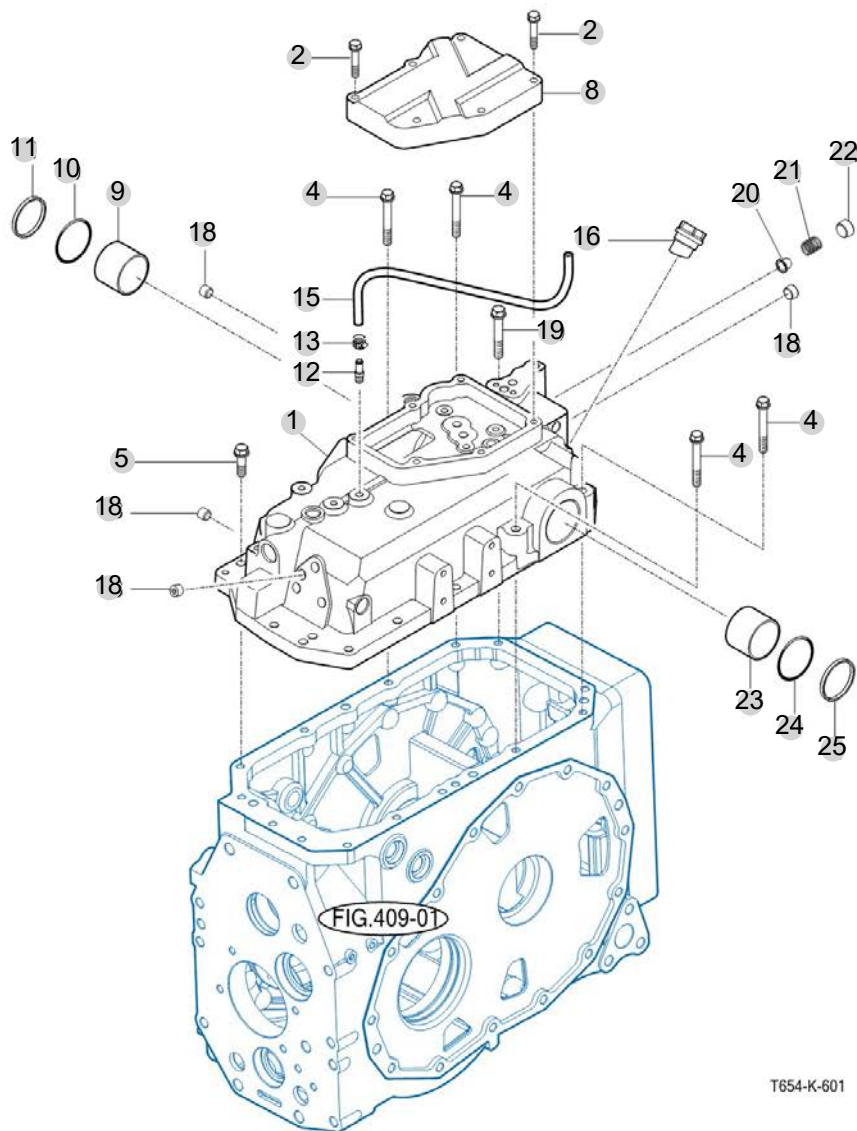
FIG 601

T654SM

CYLINDER CASE

년/월
Year/Month

2022-12



T654-K-601

NOTE

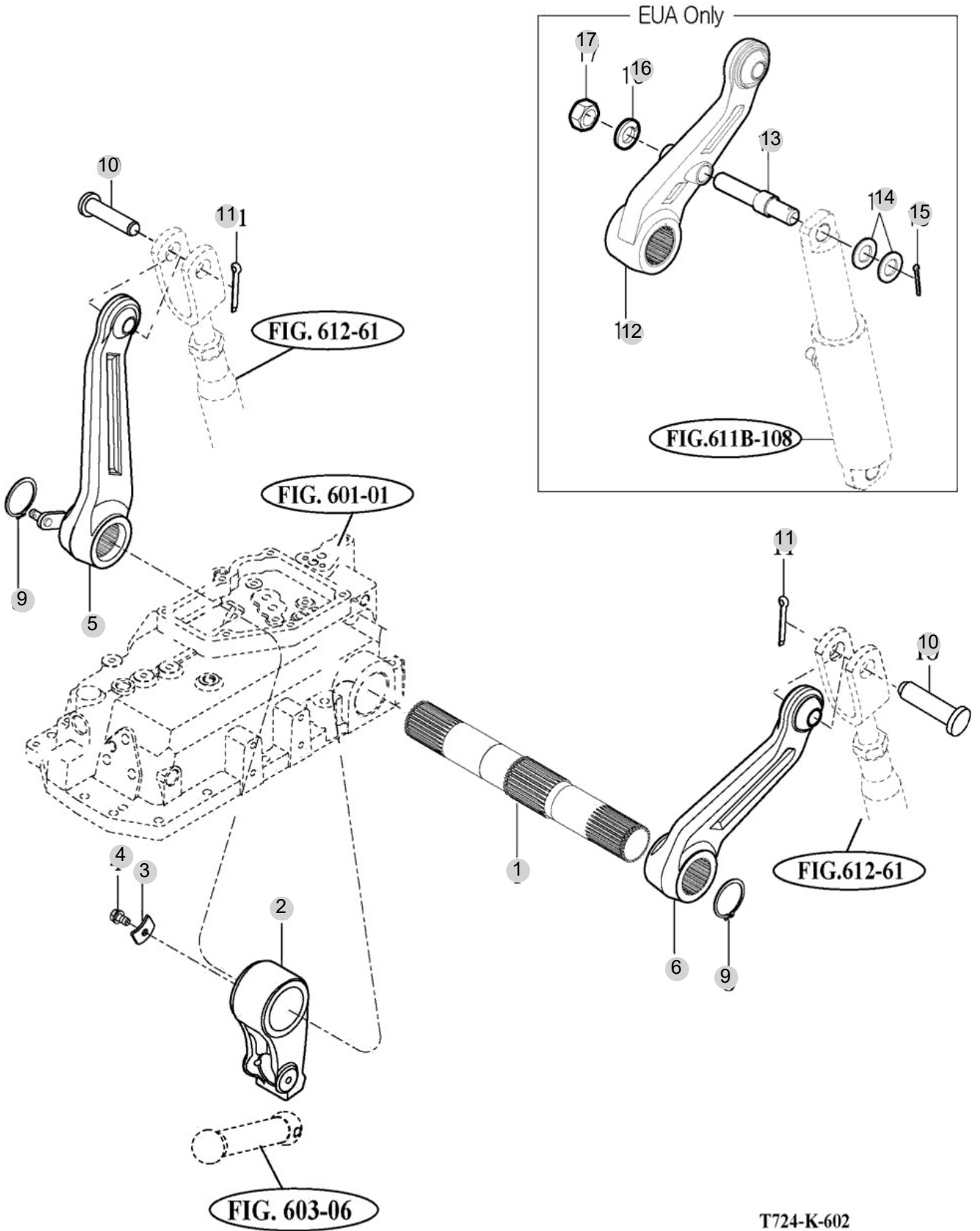
FIG 602

T654SM

LIFT ARM

년/월
Year/Month

2022-12



NOTE

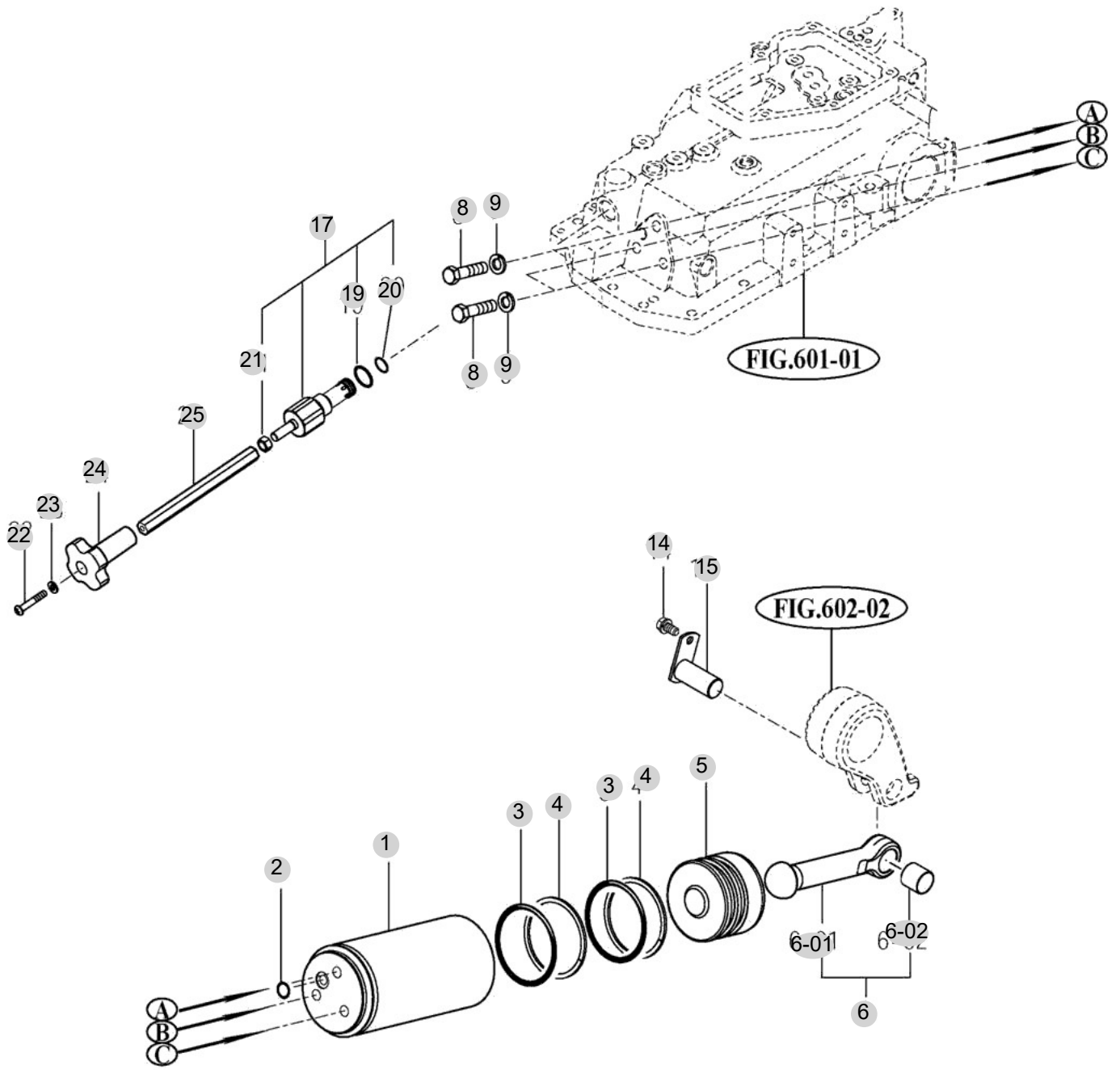
FIG 603

T654SM

CYLINDER

년/월
Year/Month

2022-12



T543/T603-E-603A

NOTE

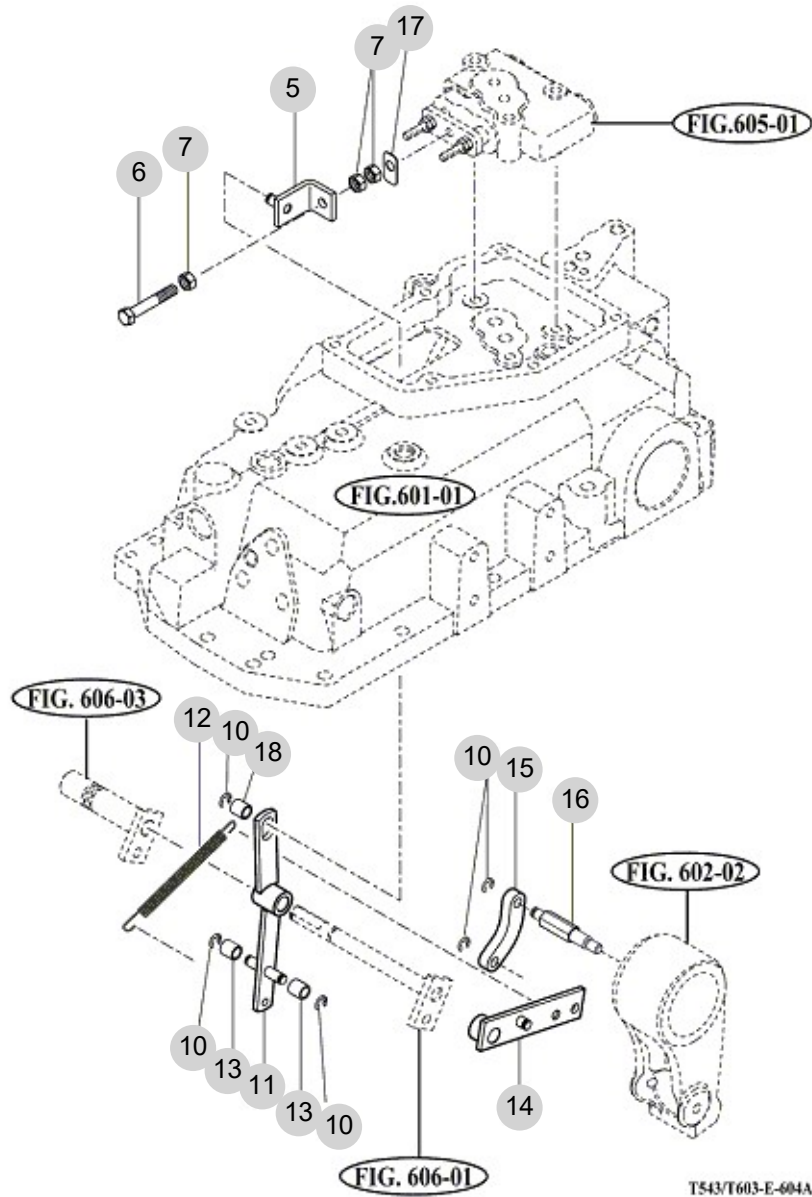
FIG 604

T654SM

POSITION LINK

년/월
Year/Month

2022-12



NOTE

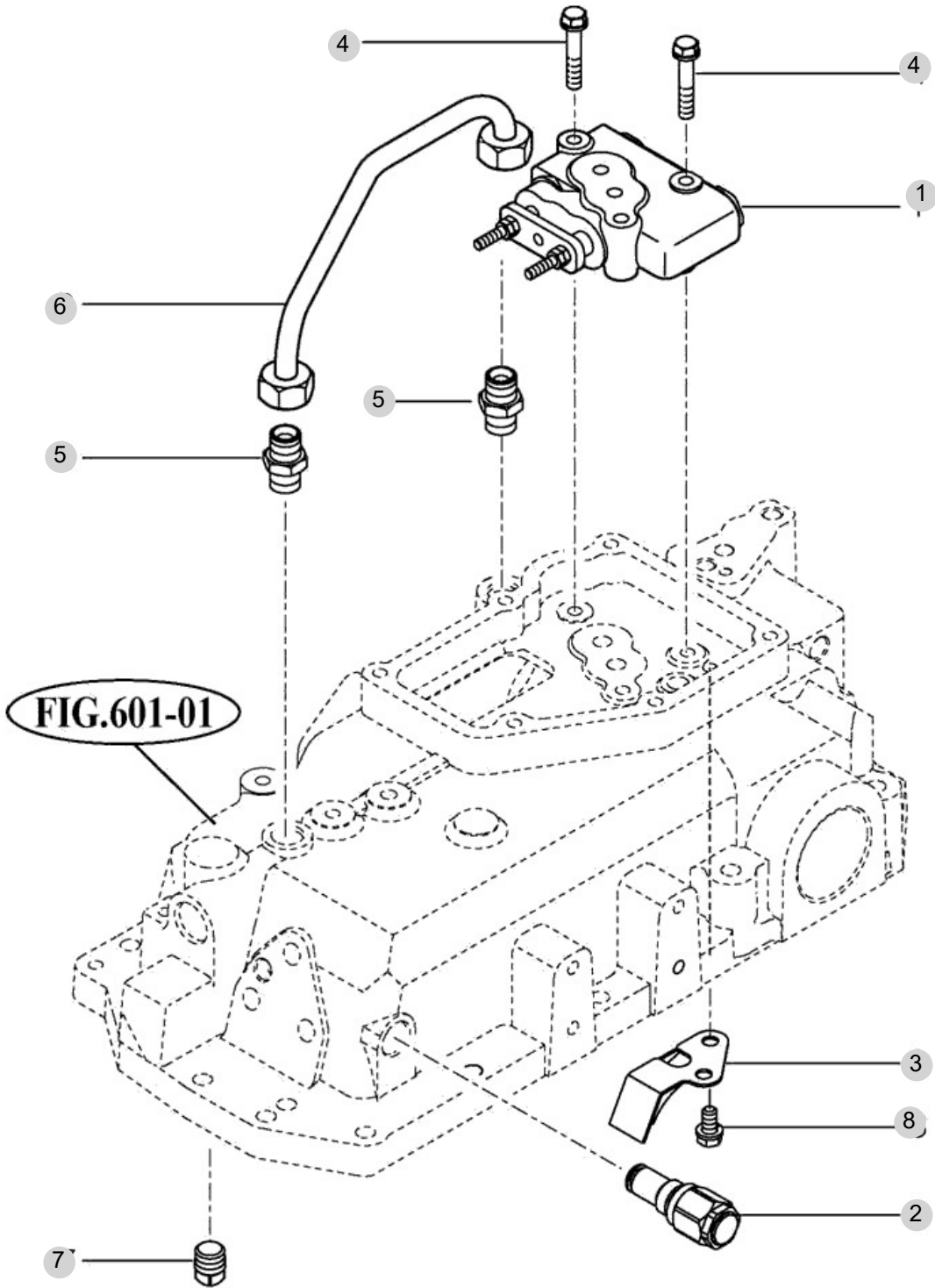
FIG 605

T654SM

CONTROL VALVE

년/월
Year/Month

2022-12



T543/T603-E-605A

NOTE

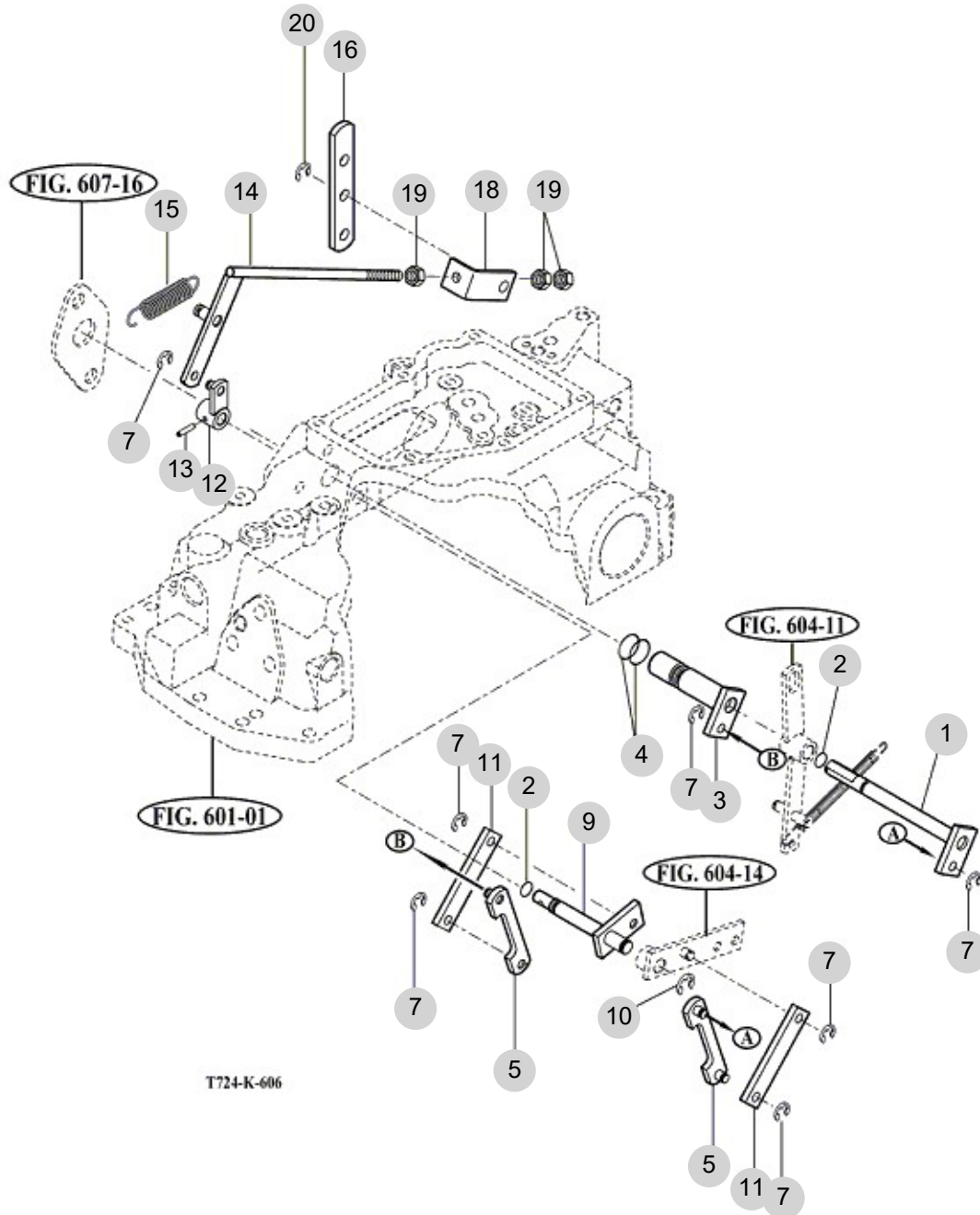
FIG 606

T654SM

DRAFT LINK

년/월
Year/Month

2022-12



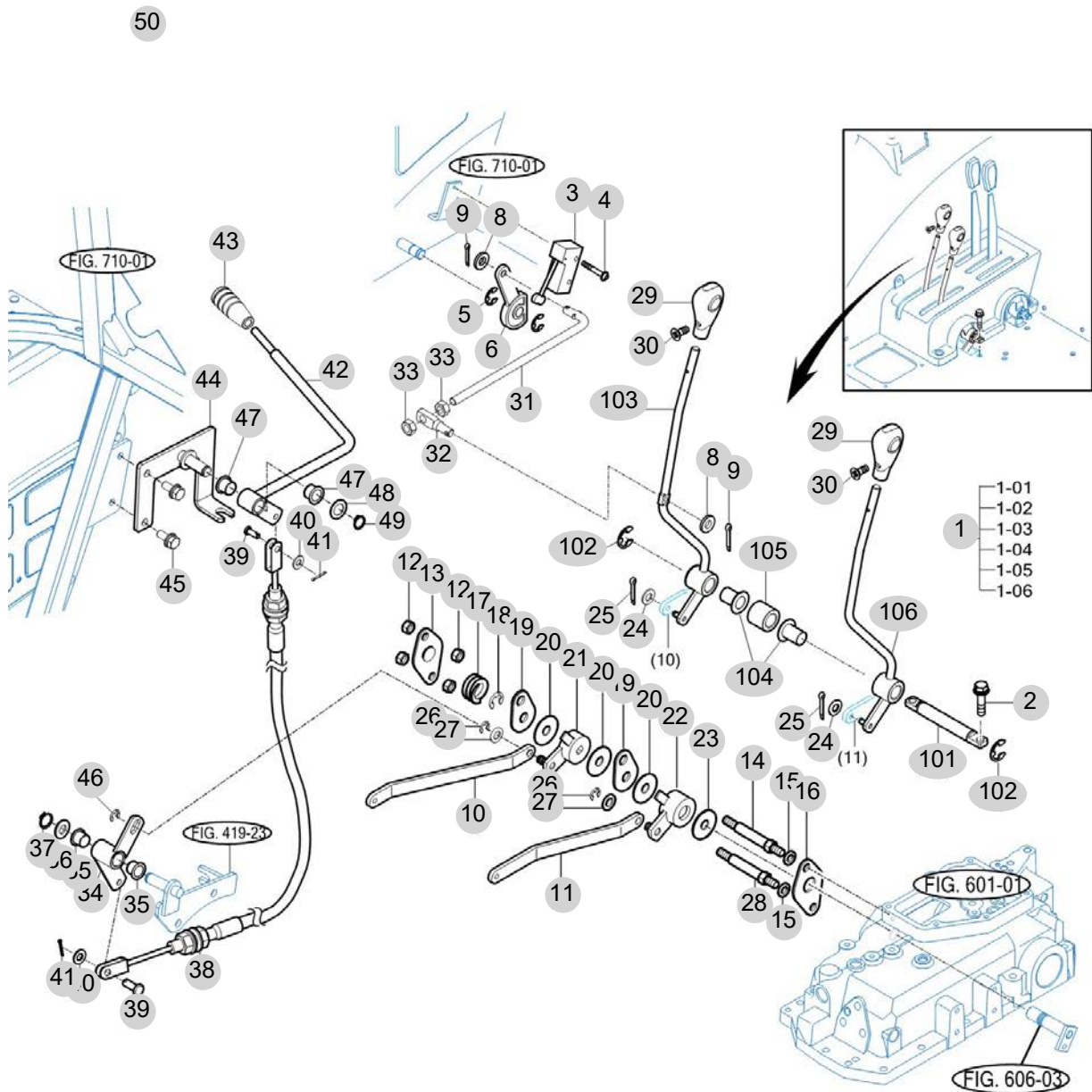
NOTE

FIG 607

POSITION & DRAFT LEVER

년/월
Year/Month

2022-12



T654-K-607

NOTE

FIG 607		POSITION & DRAFT LEVER					년/월 Year/Month		
							2022-12		
T654SM		KEY NO	PART NO	DESCRIPTION	SPEC	QTY	REPAIR	EFFECTIVE DATE	REMARKS
607	1	19997092101	REVER SUB , POSITION/DRAFT	1X1X1	1				
607	101	14527092110	SHAFT	D=16	1				
607	102	V7081400150	E-RING	15	2				
607	103	19997092201GB	LEVER COMP , POSITION	400*50*100	1				
607	104	14527092120	BUSH, NYLON/16X18X27	1X1X1	2				
607	105	14527092251	COLLER , SPACE	D=30	1				
607	106	19997092301GB	LEVER COMP , DRAFT	400*50*100	1				
607	2	V2183608020	BOLT , HEX/SP	M8X20	2				
607	3	16606742301	SWITCH ASSY . LIMIT		1				
607	4	V1222604025	SCREW , C/R PAN/SP	M4X25	2				
607	5	V7081400080	E-RING	8	2				
607	6	14527090020	CAM , SENSER	1X1X1	1				
607	8	V4111600060	WASHER , PLAIN	M6	2				
607	9	V5001920020	PIN , SPLIT	2X20	2				
607	10	19995070120	PLATE , POSITION	19X6T	1				
607	11	19995070140	PLATE , DRAFTER	19X6T	1				
607	12	V3043600100	NUT , HEX/2	M10	4				
607	13	17995070140	PLATE , C	3.2T	1				
607	14	17995070150	BOLT , SUPPORT	H14X108.9	1				
607	15	V4011600100	WASHER , SPRING	M10	2				
607	16	17995070170	PLATE , D	3.2TX90X50	1				
607	17	17995070180	SPRING	33X23	1				
607	18	V7081400120	E-RING	12	1				
607	19	17995070200	PLATE , A	3.2TX40X62	2				
607	20	13835070210	PLATE , FRICTION		3				
607	21	14525070221	ARM COMP , POSITION	1X1X1	1				
607	22	14525070230	ARM COMP , DRAFT LEVER		1				
607	23	13835070220	PLATE , FRICTION		1				
607	24	V4111600060	WASHER , PLAIN	M6	2				
607	25	V5001920020	PIN , SPLIT	2X20	2				
607	26	V7081400080	E-RING	8	2				
607	27	V4111600100	WASHER , PLAIN	M10	2				
607	28	17995070340	BOLT , SUPPORT		1				
607	29	19027592011	KNOB , AUX LEVER	1X1X1	2				
607	30	V1122804012	SCREW , C/R FLAT	M4X12	2				
607	31	19997090010	ROD,SWITCH	6*150*28	1				
607	32	19997090210	PIN , POSITION ROD	10.6*32*8	1				
607	33	V3002600060	NUT , HEX/1	M6	2				
607	34	19955070500GB	ARM COMP , EXTERIOR POSITION	1X1X1	1				
607	35	15602870024	BUSH , 16X24X15		2				
607	36	36212110030	WASHER , TENSION ARM		1				
607	37	V7041400160	C-RING , SHAFT		1				
607	38	18175070700	CABLE, EXTERNAL POSITION ASSY		1				
607	39	14322420010	PIN		2				
607	40	V4111600080	WASHER , PLAIN		2				
NOTE									

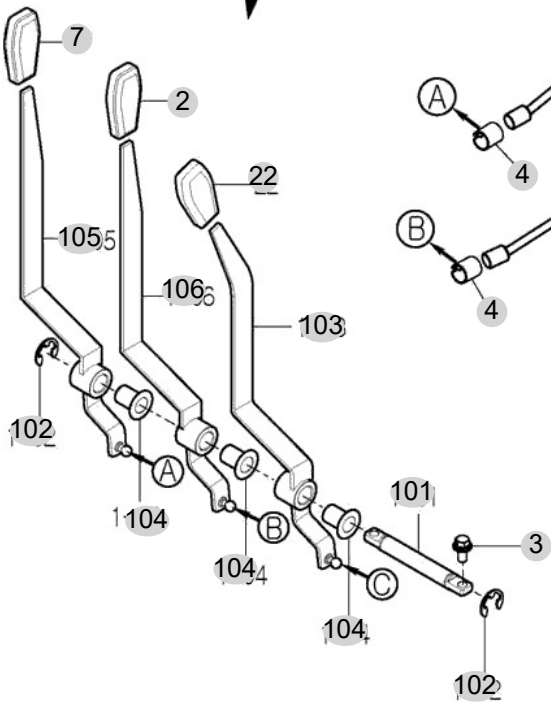
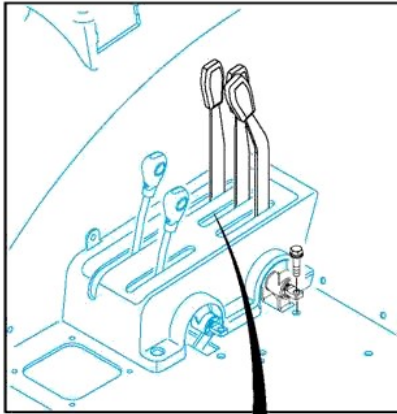
FIG 608

EXTERIOR HYD. VALVE(OPTION_6P)

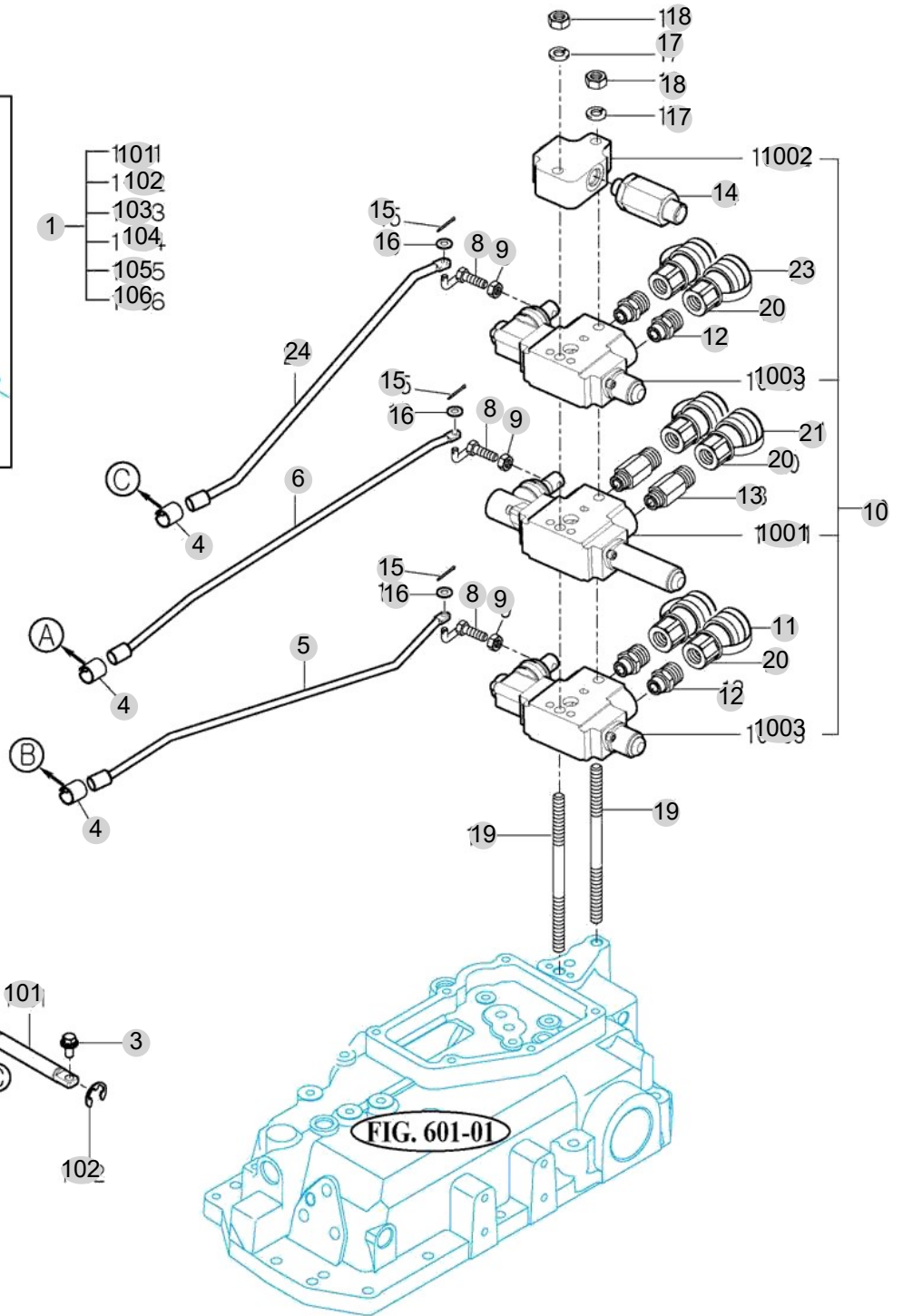
년/월
Year/Month

2022-12

T654SM



T754-K-608



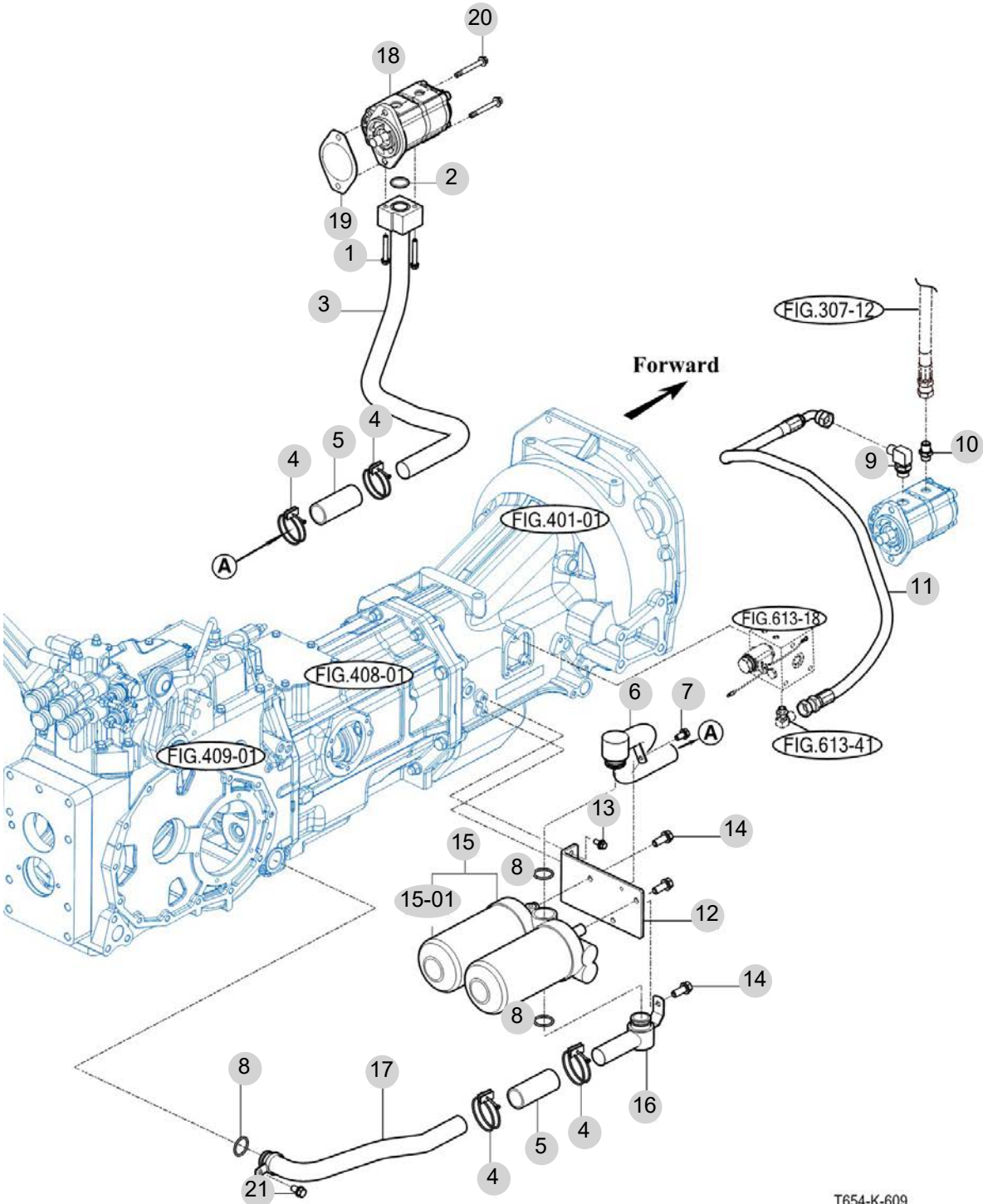
NOTE

FIG 609

HYDRAULIC PIPE

년/월
Year/Month

2022-12



T654-K-609

NOTE

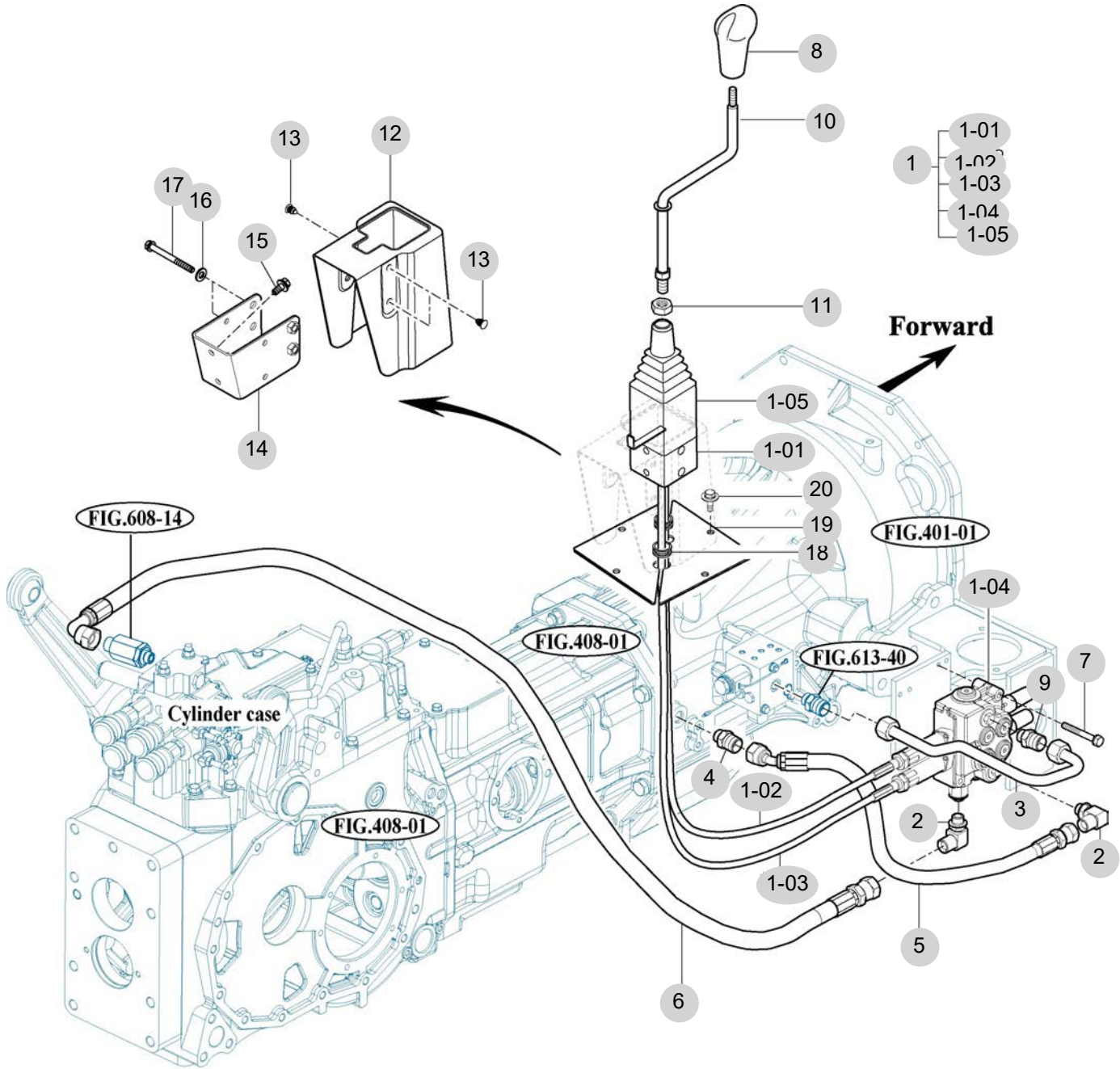
FIG 610

JOYSTICK

년/월
Year/Month

2022-12

T654SM



NOTE

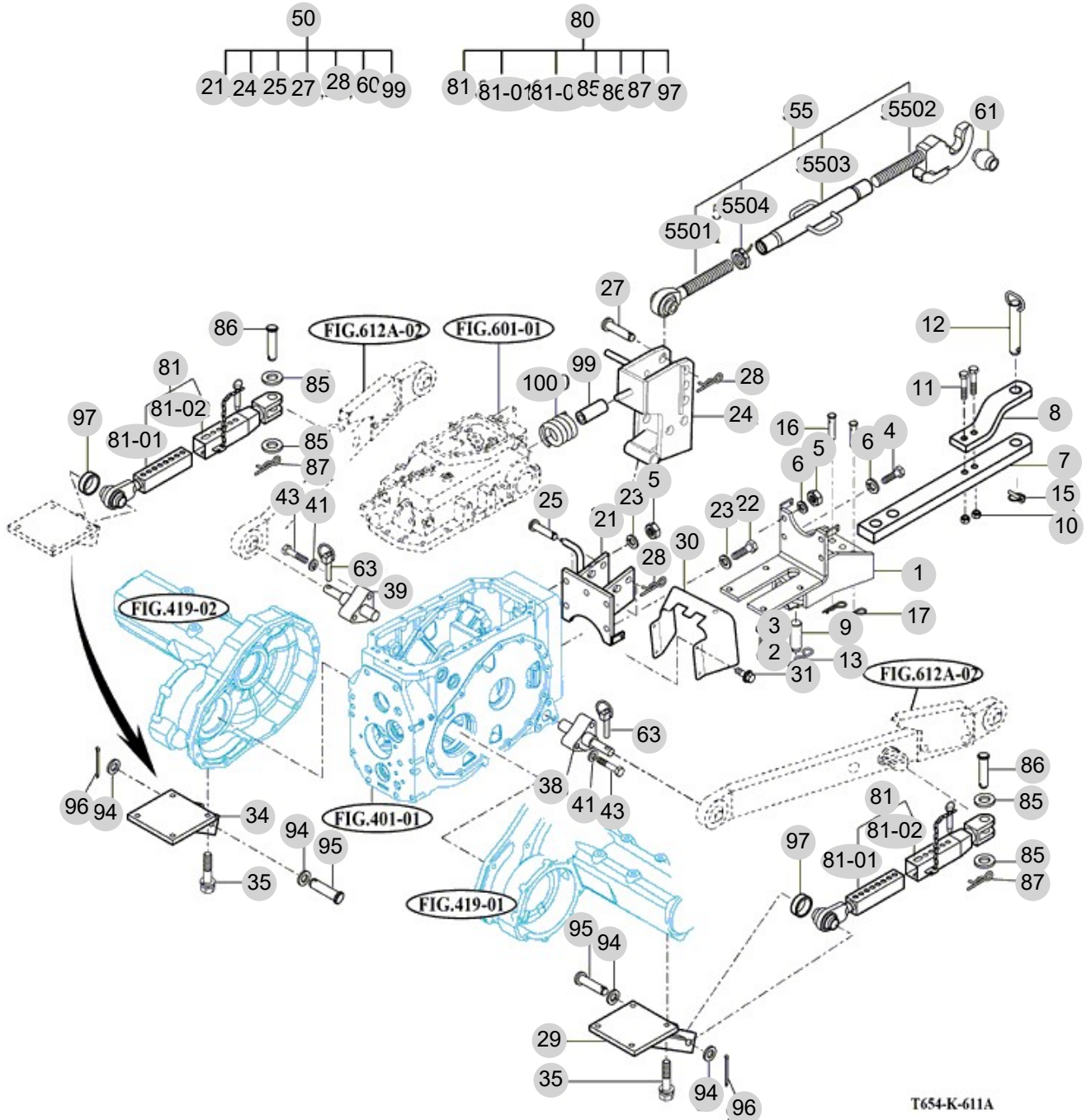
FIG 611A

T654SM

HITCH & 3-P LINK (US)

년/월
Year/Month

2022-12



NOTE

FIG 611A		HITCH & 3-P LINK (US)						년/월 Year/Month	
								2022-12	
T654SM		KEY NO	PART NO	DESCRIPTION	SPEC	QTY	REPAIR	EFFECTIVE DATE	REMARKS
611A	1	18015202000GB	BRACKET COMP , DRAW BAR/SWING	246*20*440	1				
611A	2	V2013614035	BOLT , HEX	M14X35	4				
611A	3	V4011600140	WASHER , SPRING	M14	4				
611A	4	V2013616035	BOLT , HEX	M16X35	2				
611A	5	V3043600160	NUT , HEX/2	M16	4				
611A	6	V4011600160	WASHER , SPRING	M16	4				
611A	7	17332470010GB	LINK , DRAW BAR SWING	65X35X660	1				
611A	8	18992470020GB	LINK , HITCH	1X1X1	1				
611A	9	17332472010	PIN , DRAWBAR	D=28	1				
611A	10	15189240160	NUT , NYLON , M16	1X1X1	2				
611A	11	V2004616080	BOLT , HEX	M16X80	2				
611A	12	S0973063031	PIN ASSY	D=19	2				
611A	13	V2173610020	BOLT , HEX/S		1				
611A	13	S2169908420	PIN , SNAP/28	1X1X1	1				
611A	15	14215020020	PIN , LINK		1				
611A	16	15645220011	PIN , 19X86	D=19	2				
611A	17	14445140051	PIN , 19	D=4.5	2				
611A	21	15705222000GB	BRACKET COMP		1				
611A	22	V2013616035	BOLT , HEX	M16X35	3				
611A	23	V4011600080	WASHER , SPRING	M8	5				
611A	24	19995222100GB	LINK COMP	13.0X18.3X23.4	1				
611A	25	15645250010	PIN , 19X122	D=19	2				
611A	27	15645220020	PIN , 19X95	D=19	1				
611A	28	14445140051	PIN , 19	D=4.5	3				
611A	29	17975254100GB	BRACKET COMP , LH	1X1X1	1				
611A	30	13605200012GB	COVER , SHIELD	1X1X1	1				
611A	31	V2183608016	BOLT , HEX/SP	M8X16	4				
611A	34	17975254200GB	BRACKET COMP , RH	1X1X1	1				
611A	35	V2013614030	BOLT , HEX	M14X30	8				
611A	38	17975252710	PIN , LOWER LINK		1				
611A	39	17975252810	PIN , LOWER LINK	1X1X1	1				
611A	41	V4011600140	WASHER , SPRING	M14	6				
611A	43	V2013614060	BOLT , HEX	M14X60	6				
611A	50	15705200500	BRACKET ASSY		1				
611A	55	17995201002GB	LINK ASSY . TOP LINK	1X1X1	1				
611A	5501	17995201300	ROD COMP , RH	1X1X1	1				
611A	5502	17995201101	ROD COMP , LH		1				
611A	5503	17995201202	SLEEVE COMP	1X1X1	1				
611A	5504	17995201400	NUT , LOCK M12	육각 B=30	1				
611A	61	17995201500	BALL , TOP LINK	1X1X1	1				
611A	63	14215020020	PIN , LINK		2				
611A	80	19955253001	LINK ASSY , ADJUSTER		2				
611A	81	19955253001	LINK ASSY , ADJUSTER		2				
611A	81-01	19955253101	LINK(BALL) ADJUSTER , SUB	1X1X1	2				
611A	81-02	19955253201	LINK(PIN) ADJUSTER , SUB	1X1X1	2				
NOTE									

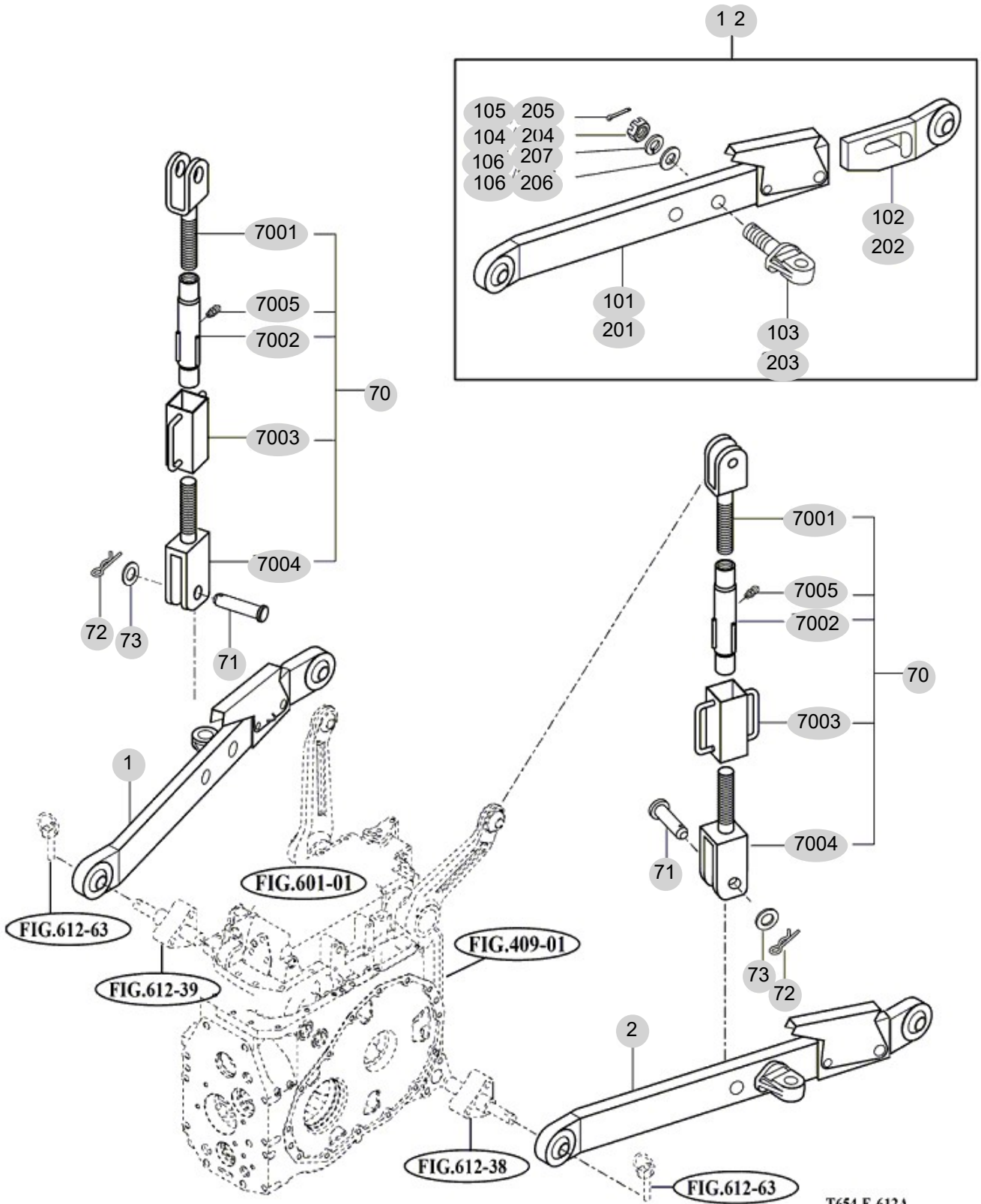
FIG 612A

LOWER LINK & LIFT ROD(US)

년/월
Year/Month

2022-12

T654SM



T654-E-612A

NOTE

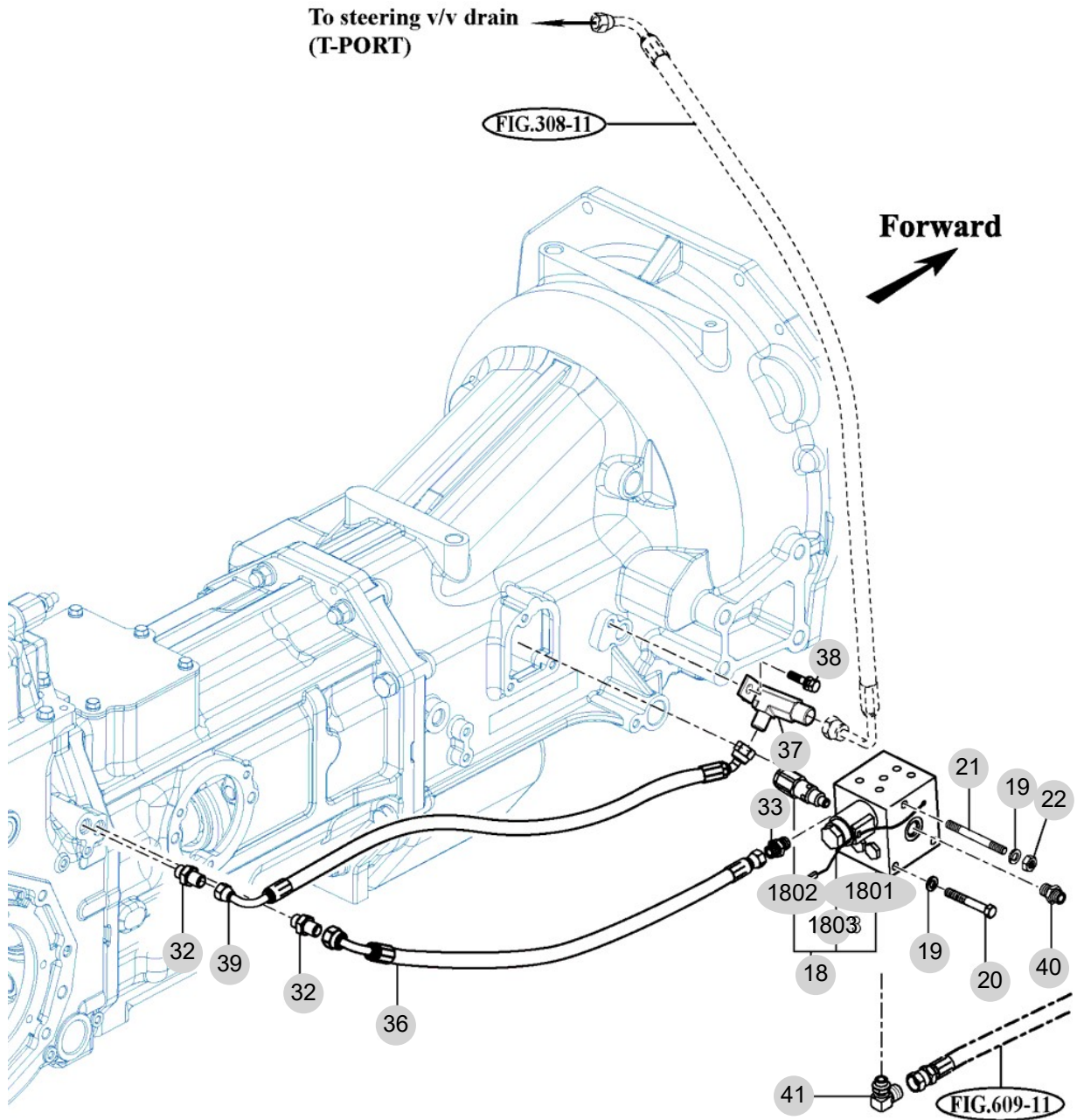
FIG 613

HYDRAULIC HOSE(US)

년/월
Year/Month

2022-12

T654SM



T654-K-614

NOTE

7. Sheet Metal & Cabin PART NO. T7

FIG 701 HOOD	190
FIG 702 FRONT FRAME	192
FIG 703 SIDE SUPPORT & FRAME HOOD	194
FIG 704 LEVER COVER & STEP	197
FIG 705 FRONT & REAR MOUNTING	199
FIG 706 SEAT & MAT	201
FIG 709 DOOR	203
FIG 710 FRONT GLASS	206
FIG 711 SIDE GLASS	208
FIG 712 REAR GLASS	210
FIG 713 SUB FENDER & COVER	212
FIG 714 MIRROR	214
FIG 715 HEATER & AIR-CON	216
FIG 715-2 HEATER & AIR-CON	218
FIG 716 FENDER COVER	220
FIG 717 ROOF	222
FIG 718 CABIN INTERIOR	224

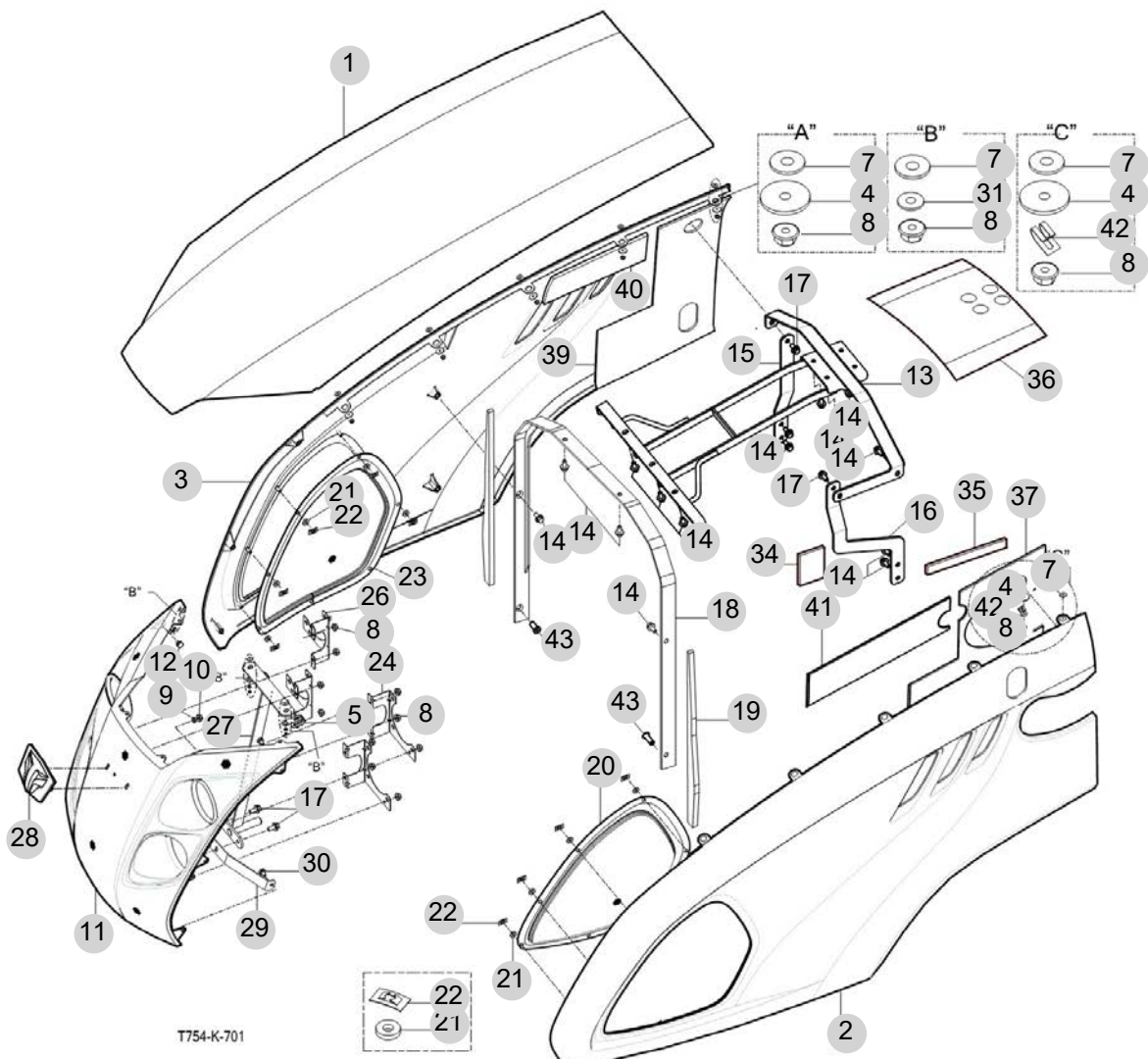
FIG 701

T654SM

HOOD

년/월
Year/Month

2022-12



NOTE

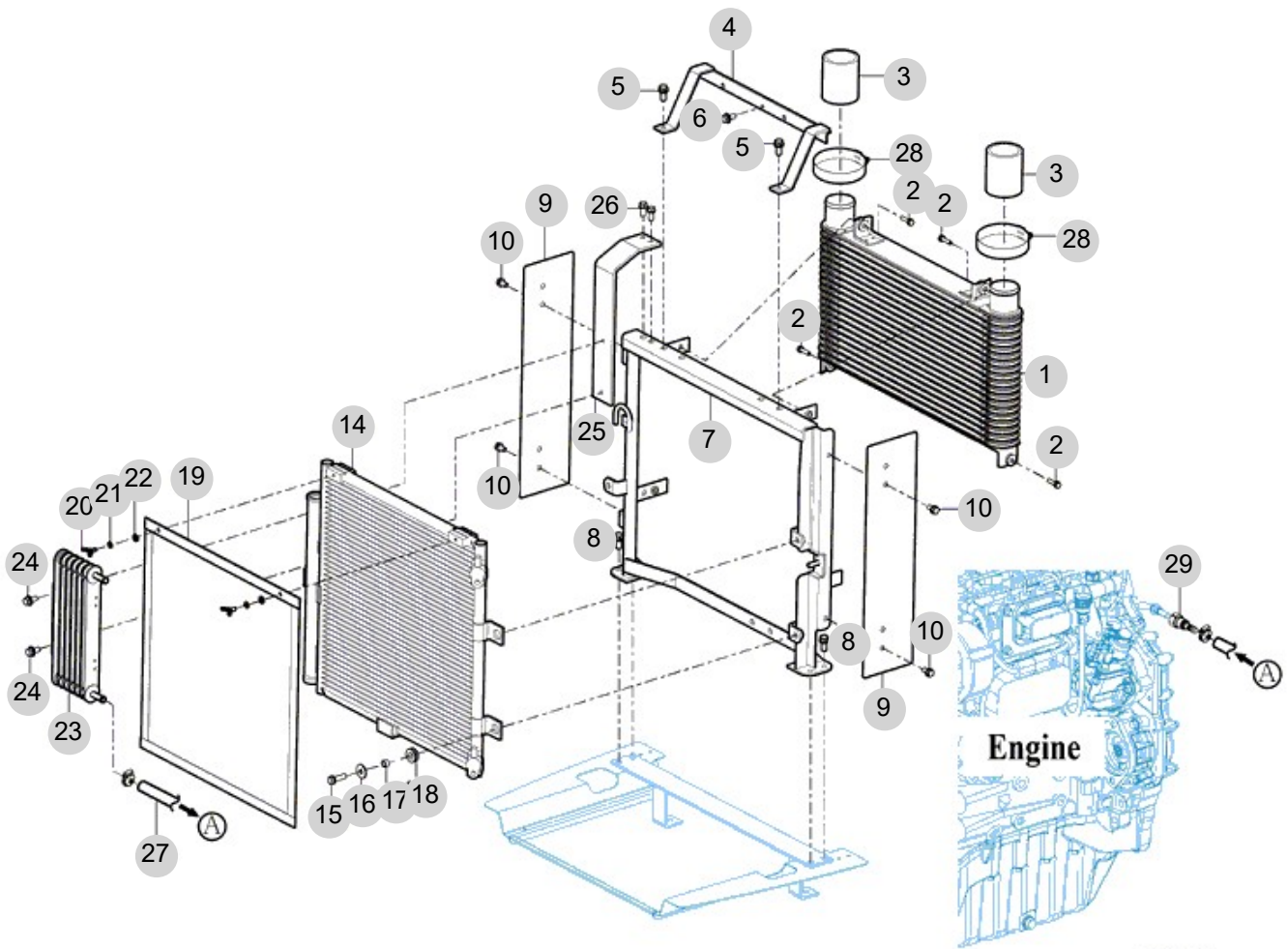
FIG 702

FRONT FRAME

년/월
Year/Month

2022-12

T654SM



T754-K-702

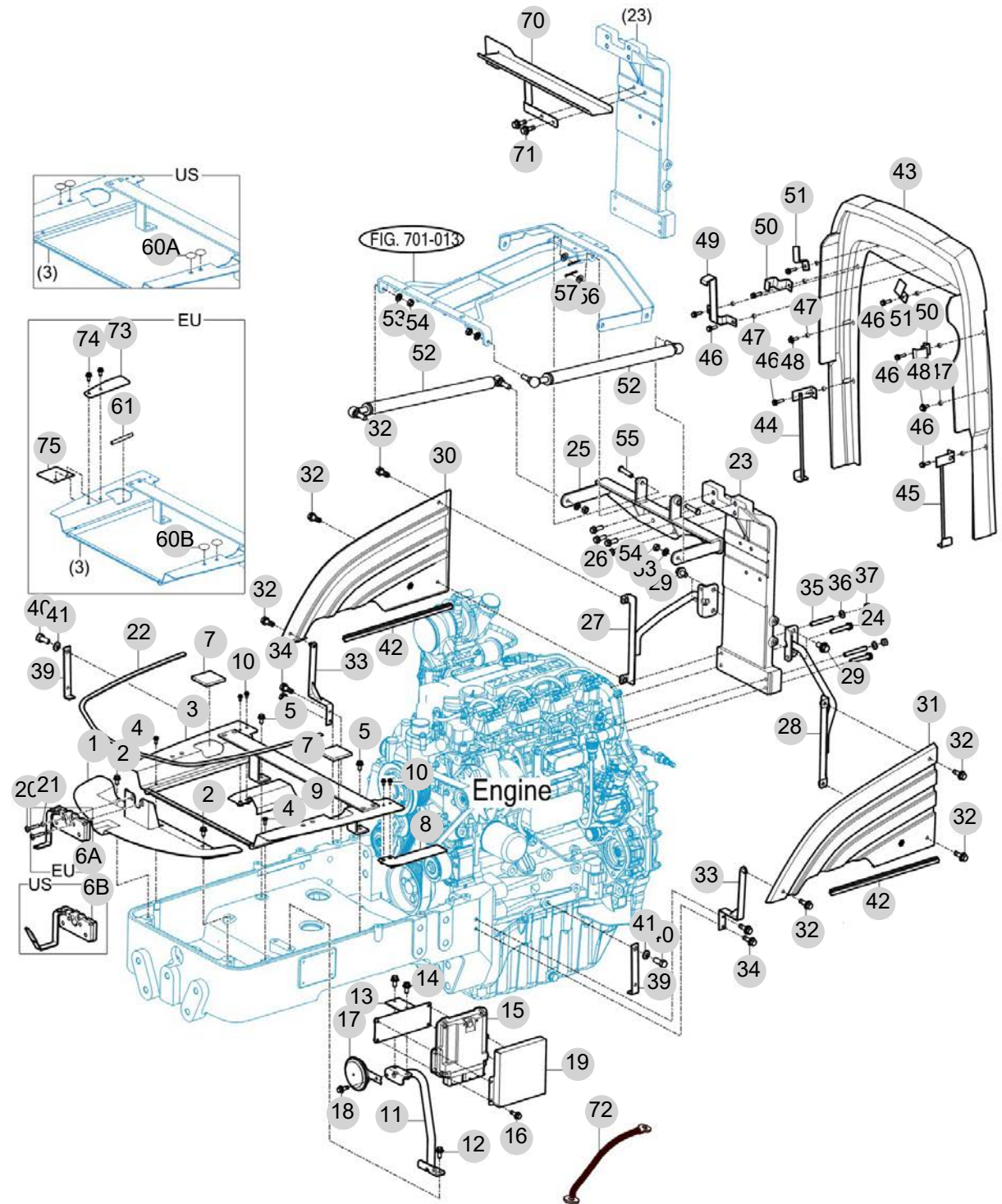
NOTE

FIG 703

SIDE SUPPORT & FRAME HOOD

년/월
Year/Month

2022-12



T754-K-703

NOTE

FIG 703		SIDE SUPPORT & FRAME HOOD					년/월	
							Year/Month	
T654SM		2022-12						
KEY NO	PART NO	DESCRIPTION	SPEC	QTY	REPAIR	EFFECTIVE DATE	REMARKS	
703	1	18014103101GB	PLATE COMP, LOW/FR		1			
703	2	V2173608020	BOLT, HEX/S	M8X20	2			
703	3	18026022102GB	FRAME COMP, BETTERY		1			
703	4	V2113606016	BOLT, HEX /S	M6X16	2			
703	5	V2183608020	BOLT, HEX/SP	M8X20	2			
703	6B	17136014800	LOCK COMP, HOOD		1			
703	7	10031040020	INSULATOR, RADIATOR	T=10	2			
703	8	17136012400GB	COVER COMP, LH	170X64X37	1			
703	9	17136012300GB	COVER COMP, RH	170X64X37	1			
703	10	V2123606012	BOLT, HEX /SP	M6X12	4			
703	11	18021051100	ECU STAND COMP		1			
703	11	18021051100GB	ECU STAND COMP		1			
703	12	V2184610025	BOLT, HEX/SP	M10X25	2			
703	13	18021051200	BRACKET COMP, ECU		1			
703	13	18021051200GB	BRACKET COMP, ECU		1			
703	14	V2184608020	BOLT, HEX/SP	M8X20	2			
703	15	02959610	CONTROL UNIT (ECU)		1			
703	16	V2123606025	BOLT, HEX /SP	M6X25	4			
703	17	13266212003	HORN		1			
703	18	V2123606016	BOLT, HEX /SP	M6X16	1			
703	19	18021025200GB	COVER, ECU		1			
703	20	V2053606035	BOLT, HEX C/R	M6X35	2			
703	21	V3802600060	NUT, HEX FLANGE	M6	2			
703	22	10034100010	INSULATOR, HOOD		1			
703	23	18026050011GB	HOOD SUPPORT		1			
703	24	V2173608050	BOLT . HEX/S	M8X50	2			
703	25	17136052102GB	HINGE COMP, HOOD		1			
703	25	17136052103GB	HINGE COMP, HOOD		1			
703	26	V2173610035	BOLT, HEX/S	M10X35	4			
703	27	18026022500GB	STAY COMP, RH		1			
703	28	18026022400GB	STAY COMP, LH		1			
703	29	V2183610020	BOLT, HEX/SP	M10X20	4			
703	30	17136113021GB	SUPPORT, RH SIDE		1			
703	31	17136113011GB	SUPPORT, LH SIDE		1			
703	32	V2123806012	BOLT . HEX /SP	M6X12	6			
703	33	18026022600GB	FRAME COMP, SIDE		2			
703	34	V2183608020	BOLT, HEX/SP	M8X20	4			
703	35	V2513408050	BOLT, STUD/2	M8X50	2			
703	36	V4011600080	WASHER, SPRING	M8	2			
703	37	V3042600080	NUT, HEX/2	M8	2			
703	38	14541063080	SEAL, LH	1X1X1	1			
703	39	18024050010GB	BRACKET, STEERING HOSE		2			
703	40	V2013614030	BOLT, HEX	M14X30	2			
703	41	V4011600140	WASHER, SPRING	M14	2			
703	42	17136040050	INSULATOR, SUPPORT		2			
NOTE								

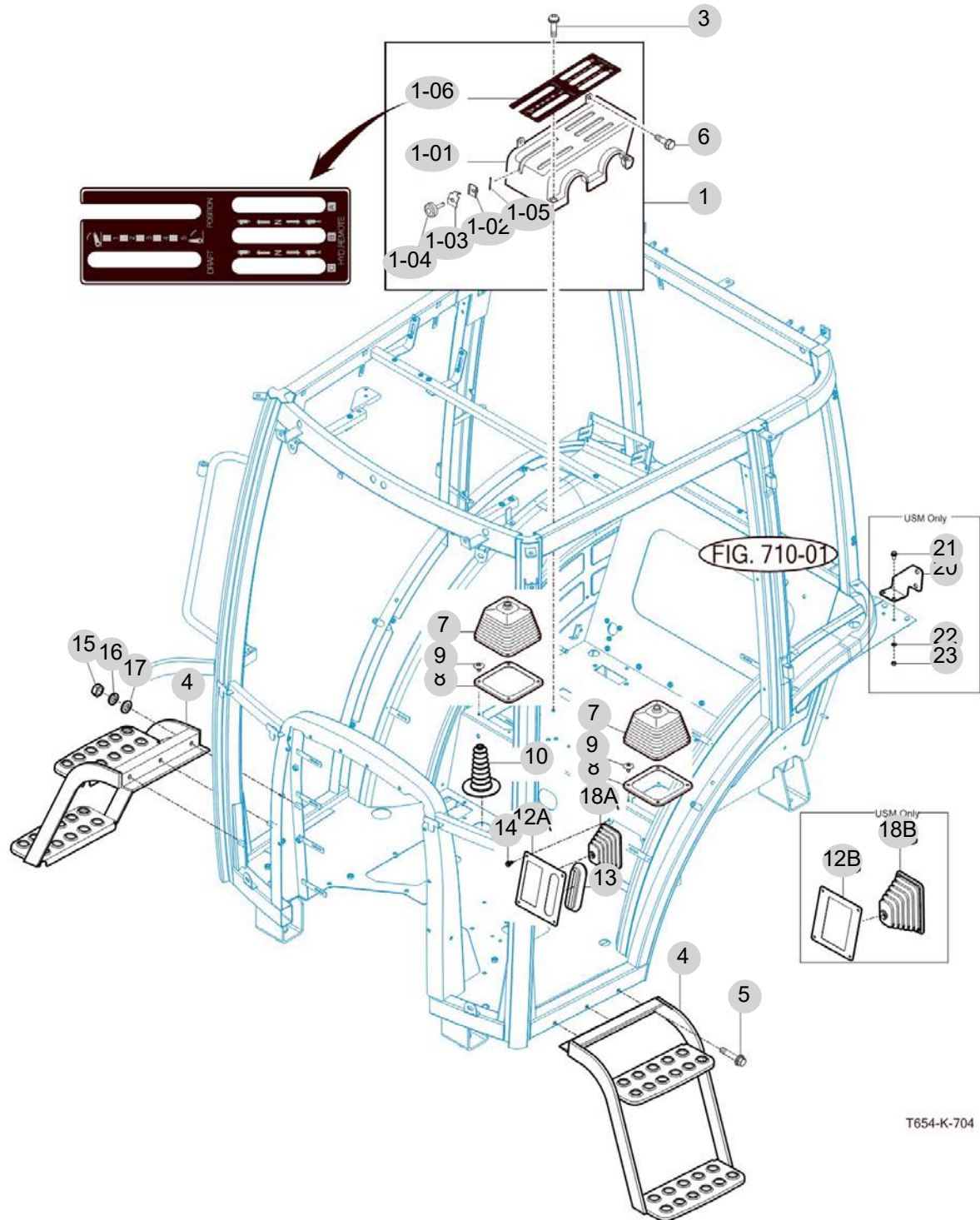
FIG 704

T654SM

LEVER COVER & STEP

년/월
Year/Month

2022-12



NOTE

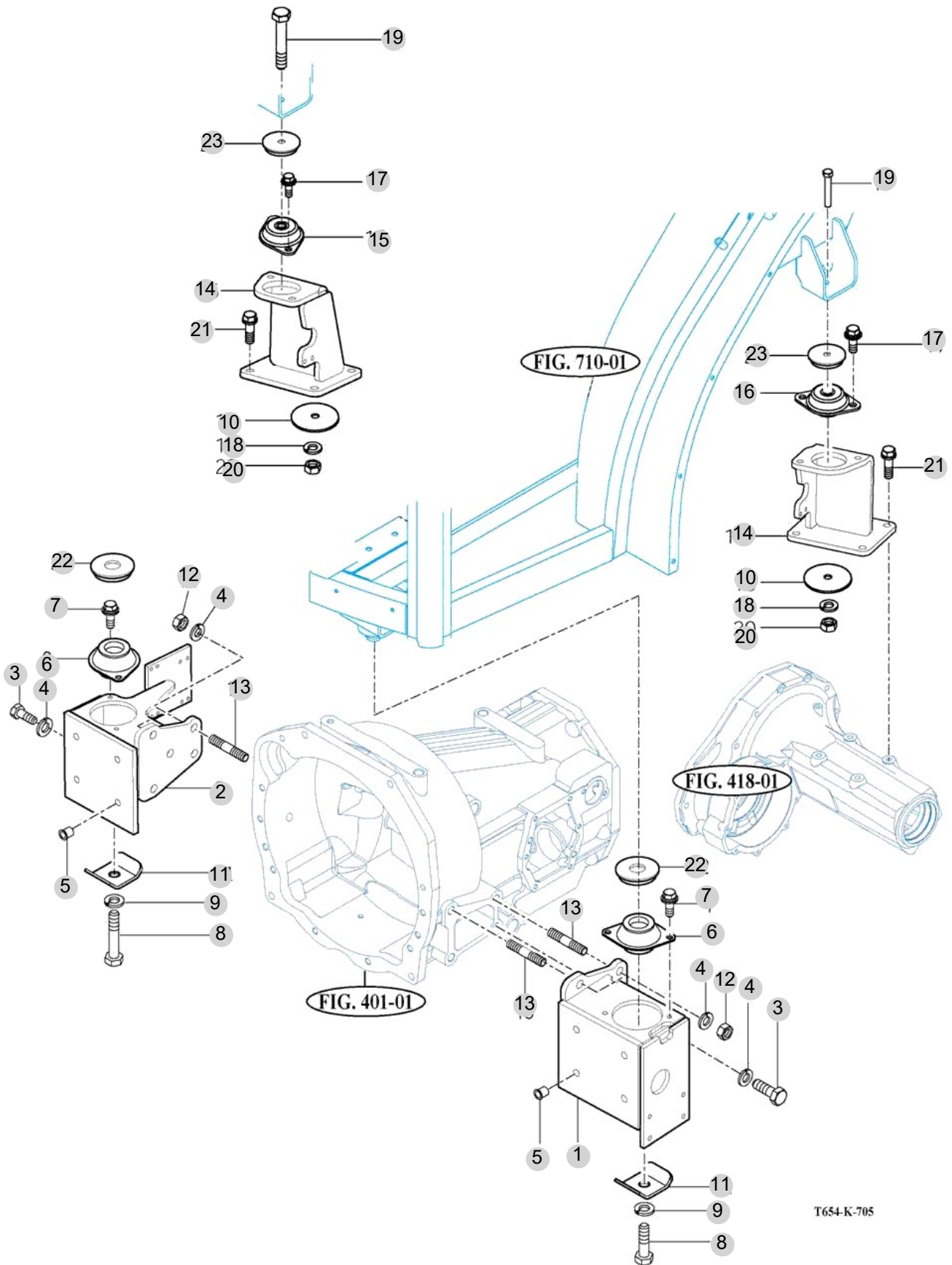
FIG 705

T654SM

FRONT & REAR MOUNTING

년/월
Year/Month

2022-12



T654-K-705

NOTE

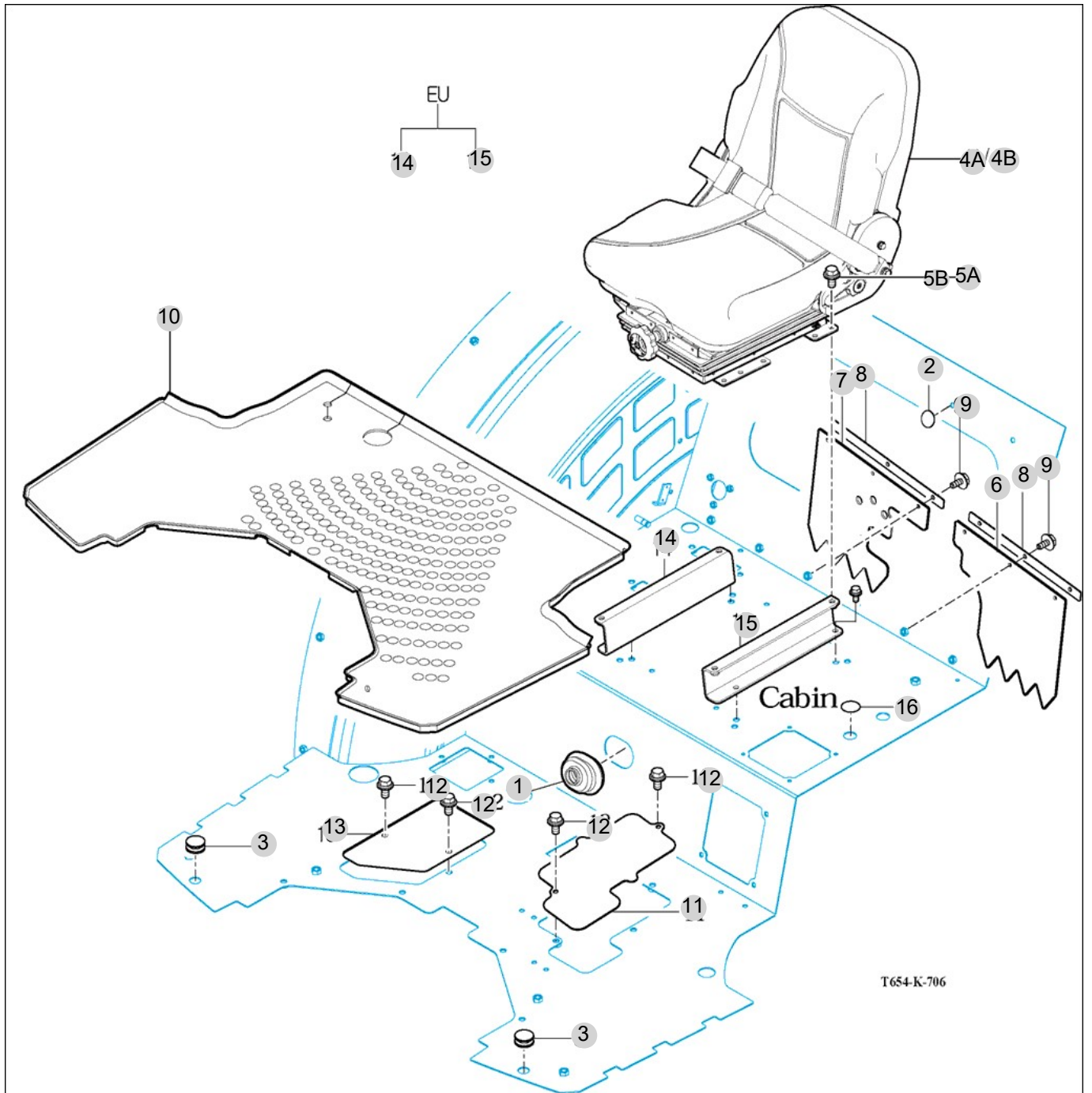
FIG 706

T654SM

SEAT & MAT

년/월
Year/Month

2022-12



NOTE

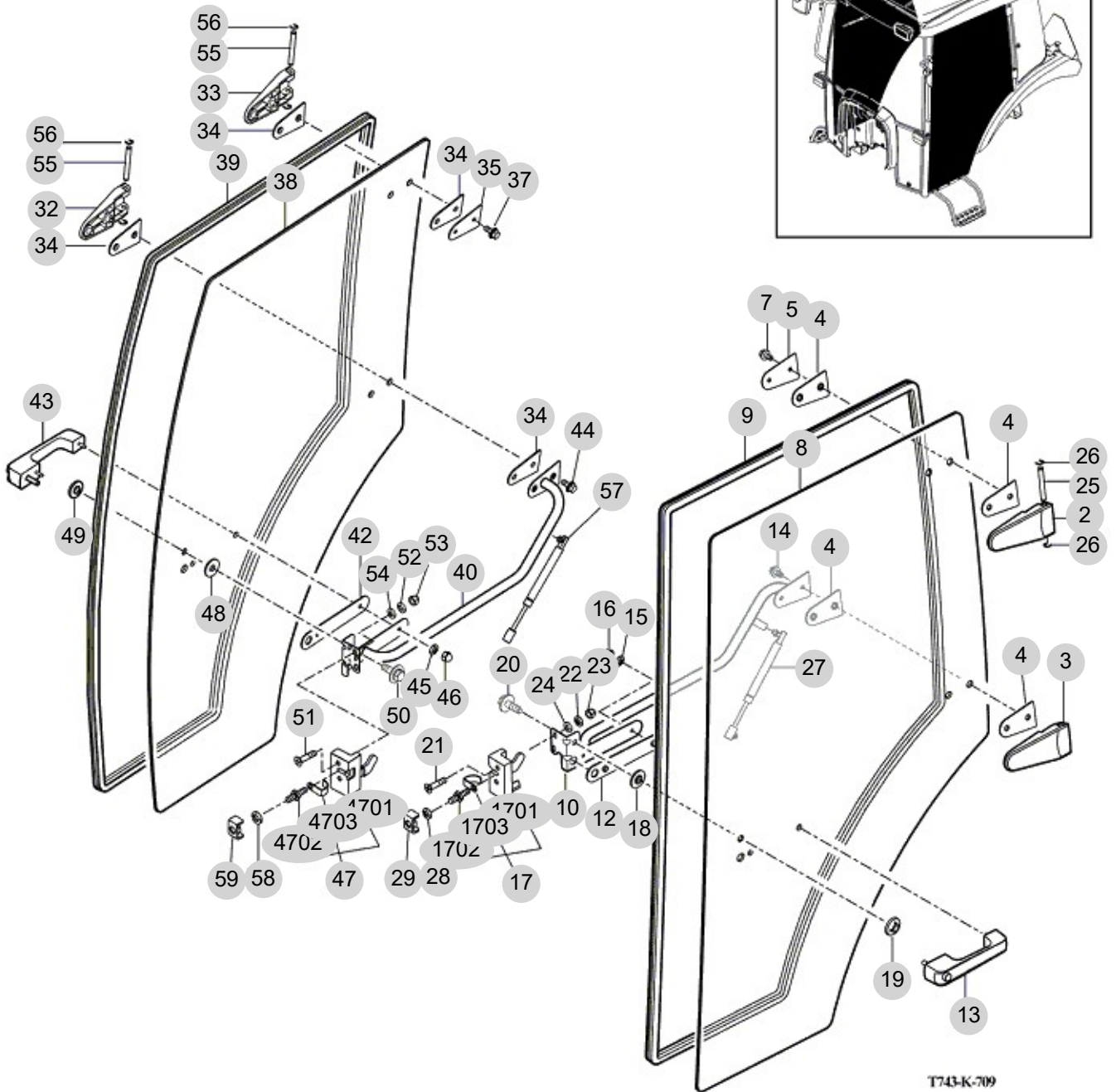
FIG 709

DOOR

년/월
Year/Month

T654SM

2022-12



NOTE

FIG 709		DOOR					년/월 Year/Month		
							2022-12		
T654SM		KEY NO	PART NO	DESCRIPTION	SPEC	QTY	REPAIR	EFFECTIVE DATE	REMARKS
709	2	14527052300	HINGE COMP , UPR/LH	1X1X1	1				
709	3	14527052400	HINGE COMP , UPR/RH	1X1X1	1				
709	4	14527052110	GASKET , DOOR HINGE	1X1X1	4				
709	5	14527052120GB	PLATE , DOOR HINGE	1X1X1	1				
709	7	V2183608020	BOLT , HEX/SP	M8X20	2				
709	8	14527052131	GLASS , LH/ DOOR	6T	1				
709	9	14527052140	INSULATOR/DOOR	1X1X1	1				
709	10	14527052500GB	GUIDE COMP ,LH/ DOOR	1X1X1	1				
709	12	14527052150	GASKET,DOOR GRIP	1X1X1	1				
709	13	14527052600	GRIP ASSY, LOCK/HANDLE	1X1X1	1				
709	14	V2183608020	BOLT , HEX/SP	M8X20	2				
709	15	V4011600060	WASHER , SPRING	M6	2				
709	16	V3402700060	NUT , HEX CAP	M6	2				
709	17	14527052700	LOCK SET , LH/DOOR	1X1X1	1				
709	1701	14527052710	LOCK ASSY, LH/DOOR	1X1X1	1				
709	1702	14527052720	STRIKER	1X1X1	1				
709	1703	14527052730	GUARD	1X1X1	1				
709	18	15817401130	GROMMET , 13X17X02		1				
709	19	14527042500	NUT COMP , GLASS	1X1X1	1				
709	20	V2193606012	BOLT , HEX/SPL	M6X12	1				
709	21	V1122608040	SCREW , C/R FLAT	M8X40	2				
709	22	V4011600080	WASHER , SPRING	M8	2				
709	23	V3412700080	NUT , SMALL CAP	M8	2				
709	24	V4111600080	WASHER , PLAIN	M8	2				
709	25	14527041110	PIN, HINGE DOOR	D=8	2				
709	26	V7082400070	E-RING	7	4				
709	27	14527301080	DAMPER ASSY , DOOR	1X1X1	1				
709	28	V4011600100	WASHER , SPRING	M10	1				
709	29	14527062500GB	BRACKET COMP , DOOR LOCK	1X1X1	1				
709	32	14527052300	HINGE COMP , UPR/LH	1X1X1	1				
709	33	14527052400	HINGE COMP , UPR/RH	1X1X1	1				
709	34	14527052110	GASKET , DOOR HINGE	1X1X1	4				
709	35	14527052120GB	PLATE , DOOR HINGE	1X1X1	1				
709	37	V2183608020	BOLT , HEX/SP	M8X20	2				
709	38	14527053131	GLASS , RH/ DOOR	6T	1				
709	39	14527052140	INSULATOR/DOOR	1X1X1	1				
709	40	14527053500GB	GUIDE COMP ,RH/DOOR	1X1X1	1				
709	42	14527052150	GASKET,DOOR GRIP	1X1X1	1				
709	43	14527052600	GRIP ASSY, LOCK/HANDLE	1X1X1	1				
709	44	V2183608020	BOLT , HEX/SP	M8X20	2				
709	45	V4011600060	WASHER , SPRING	M6	2				
709	46	V3402700060	NUT , HEX CAP	M6	2				
709	47	14527053700	LOCK SET , RH/DOOR	1X1X1	1				
709	4701	14527053710	LOCK ASSY, RH/DOOR	1X1X1	1				
709	4702	14527052720	STRIKER	1X1X1	1				
NOTE									

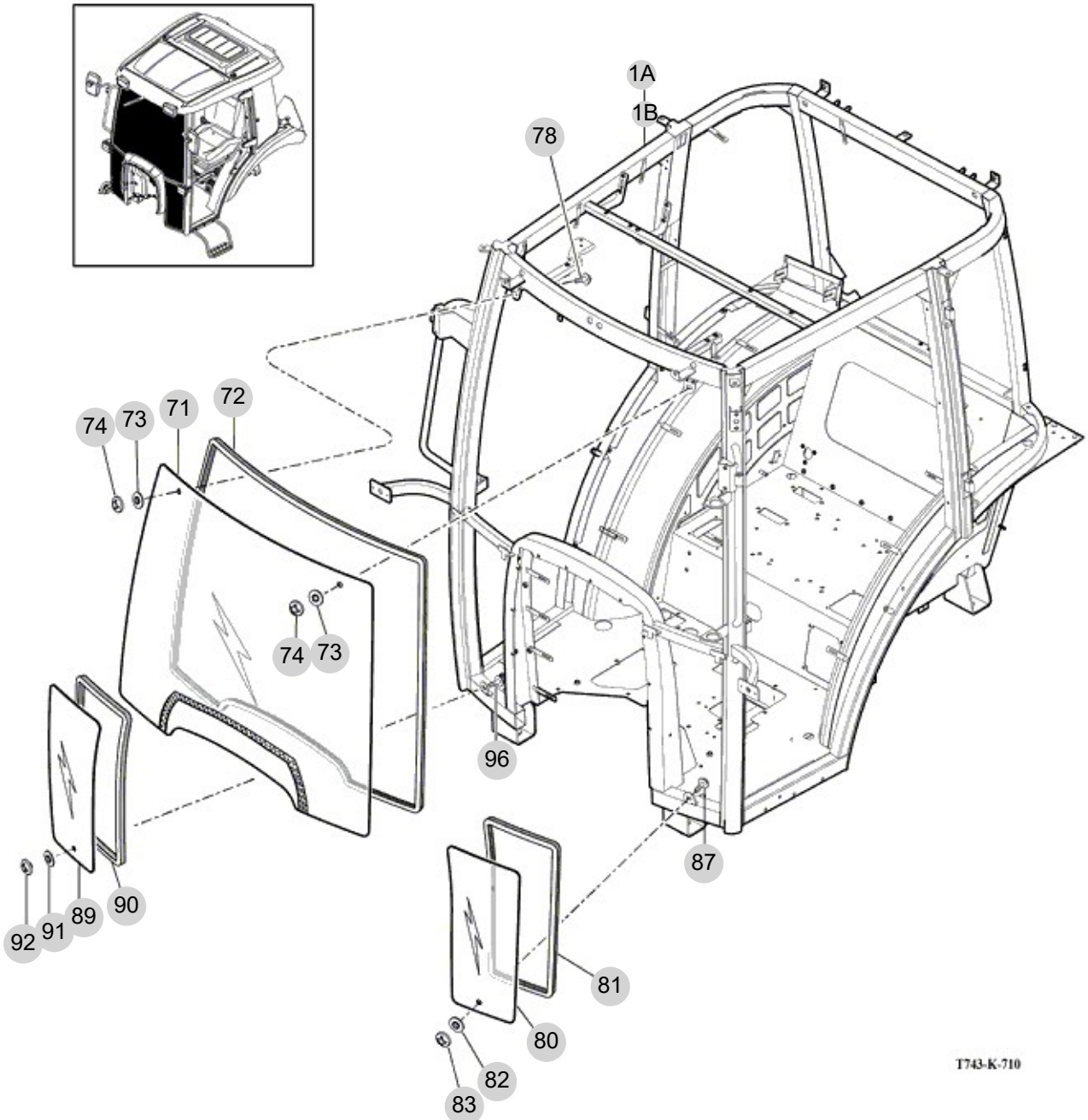
FIG 710

FRONT GLASS

년/월
Year/Month

T654SM

2022-12



T743-K-710

NOTE

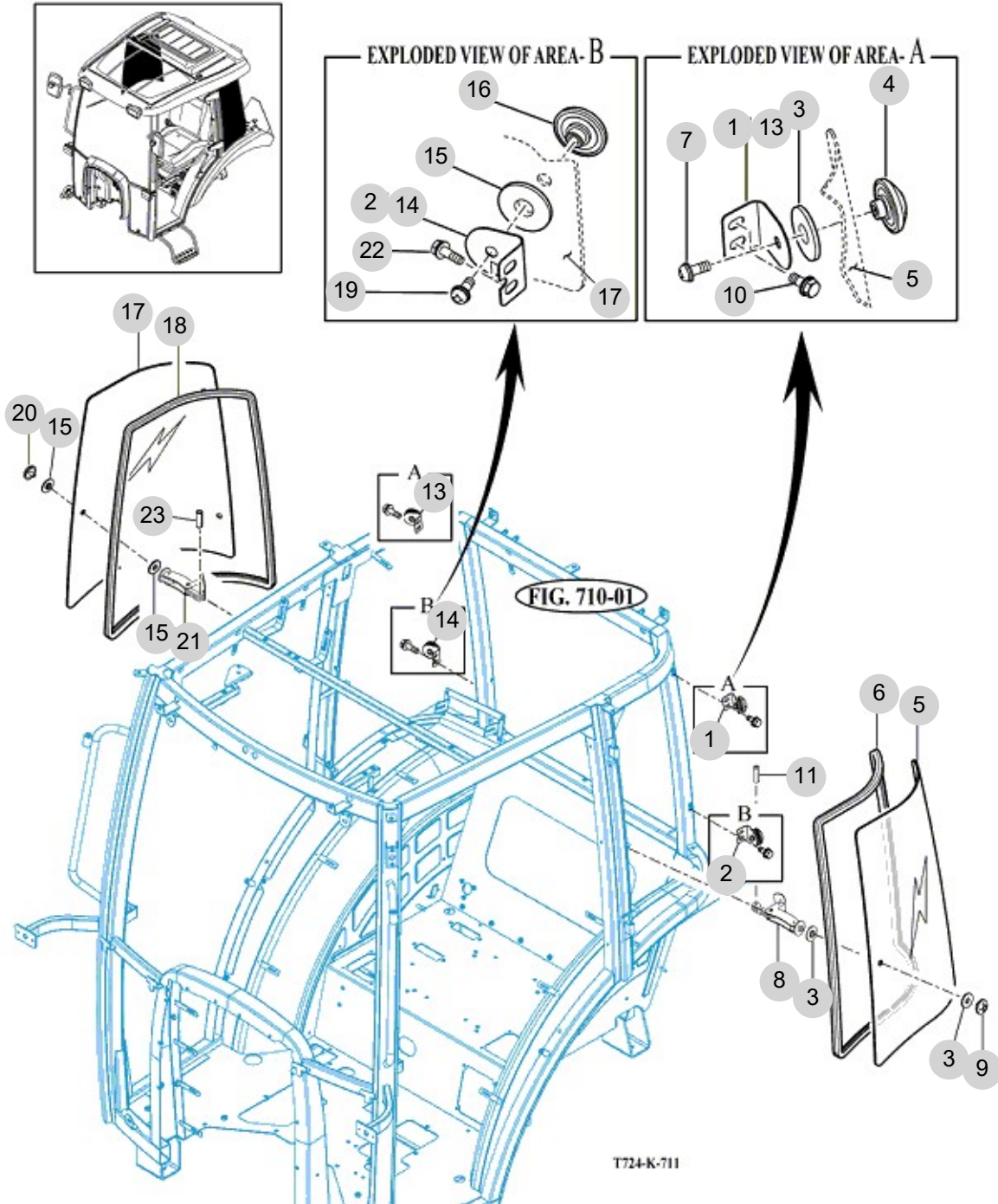
FIG 711

SIDE GLASS

년/월
Year/Month

2022-12

T654SM



NOTE

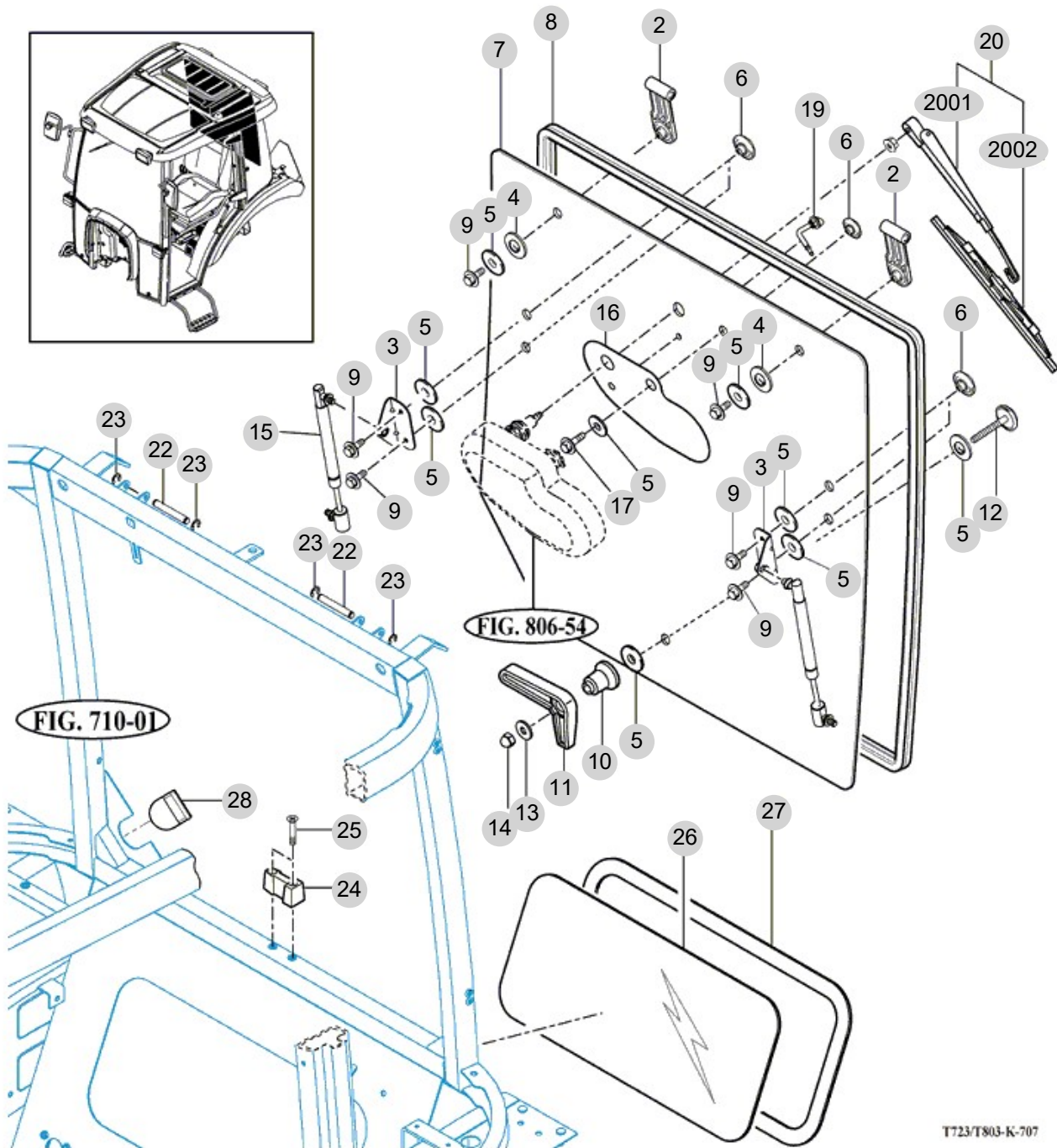
FIG 712

T654SM

REAR GLASS

년/월
Year/Month

2022-12



NOTE

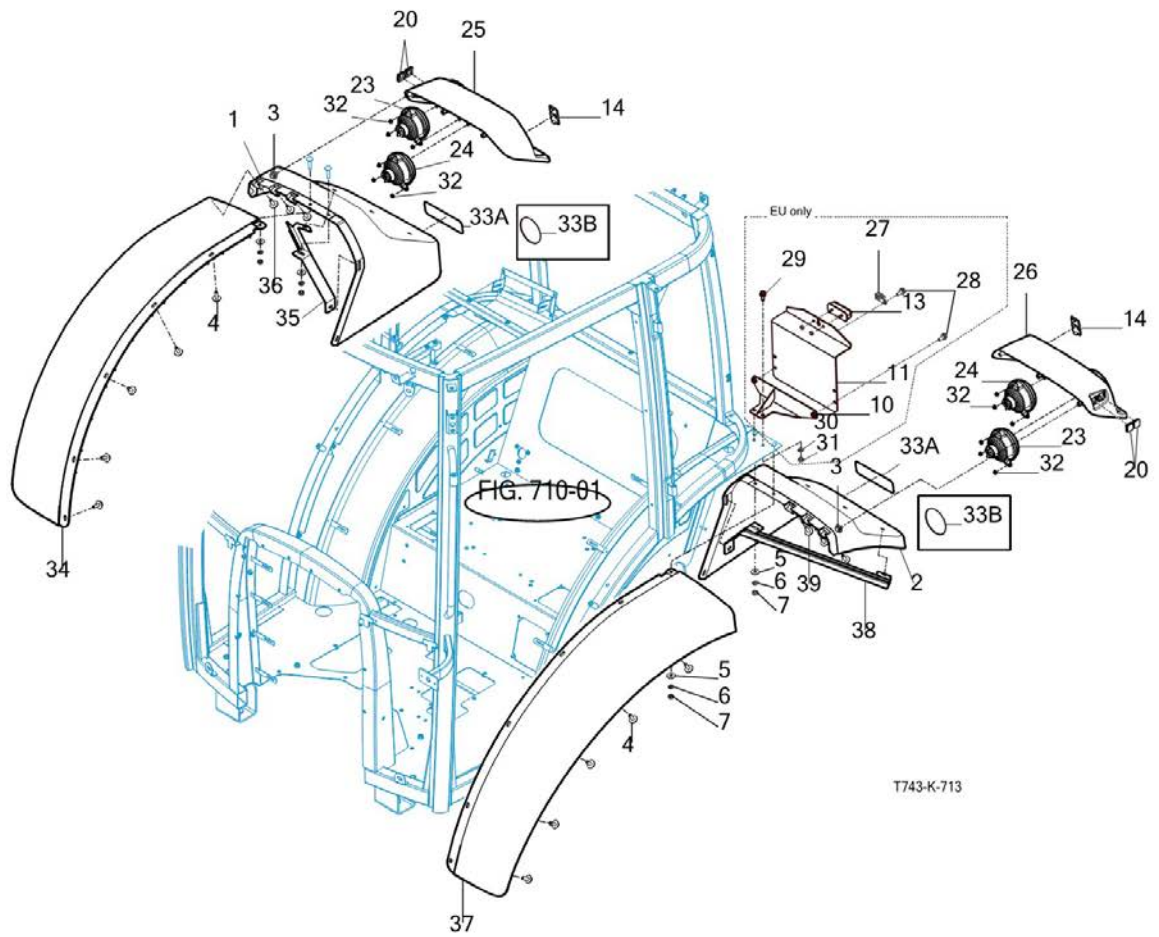
FIG 713

T654SM

SUB FENDER & COVER

년/월
Year/Month

2022-12



T743-K-713

NOTE

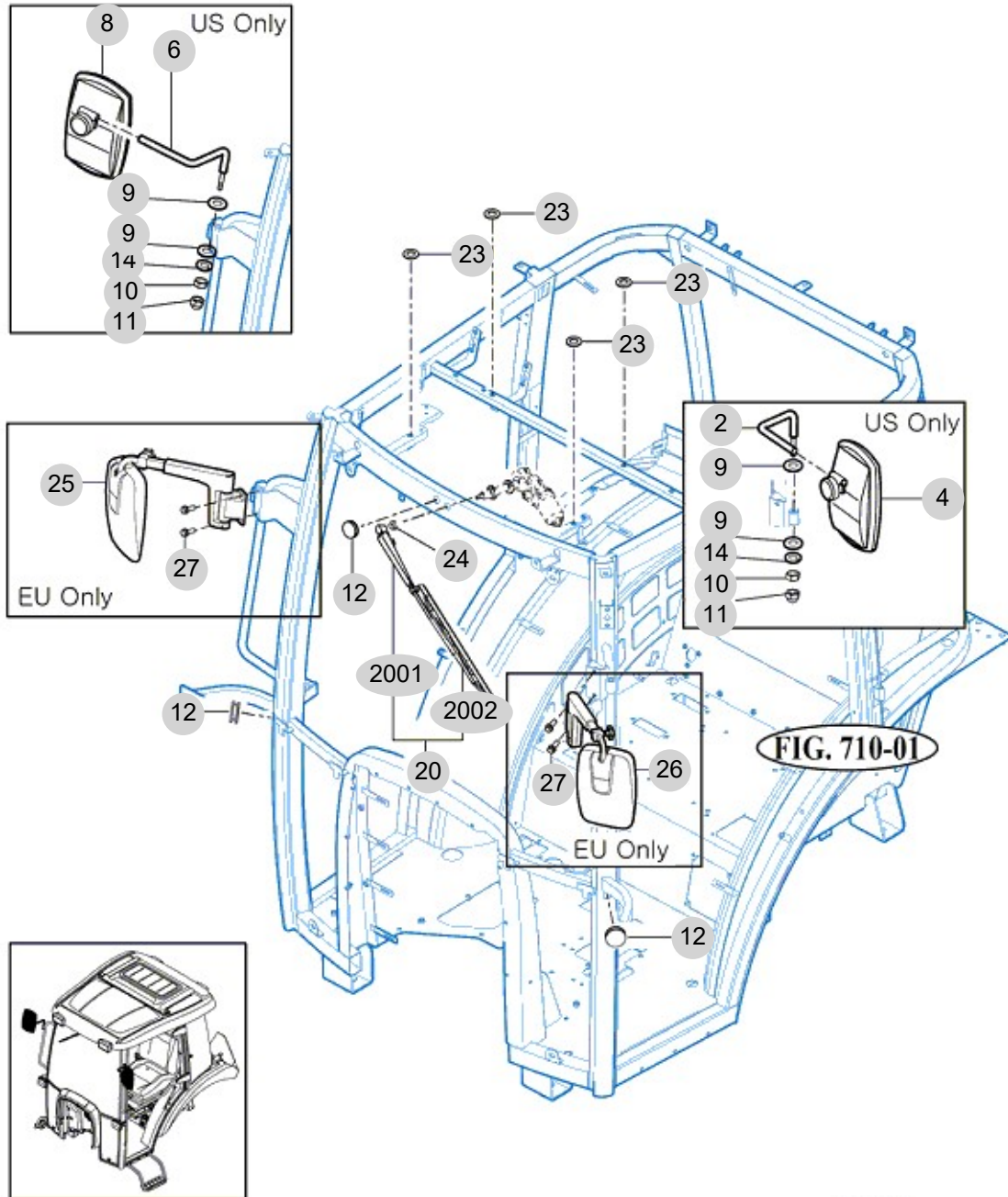
FIG 714

T654SM

MIRROR

년/월
Year/Month

2022-12



NOTE

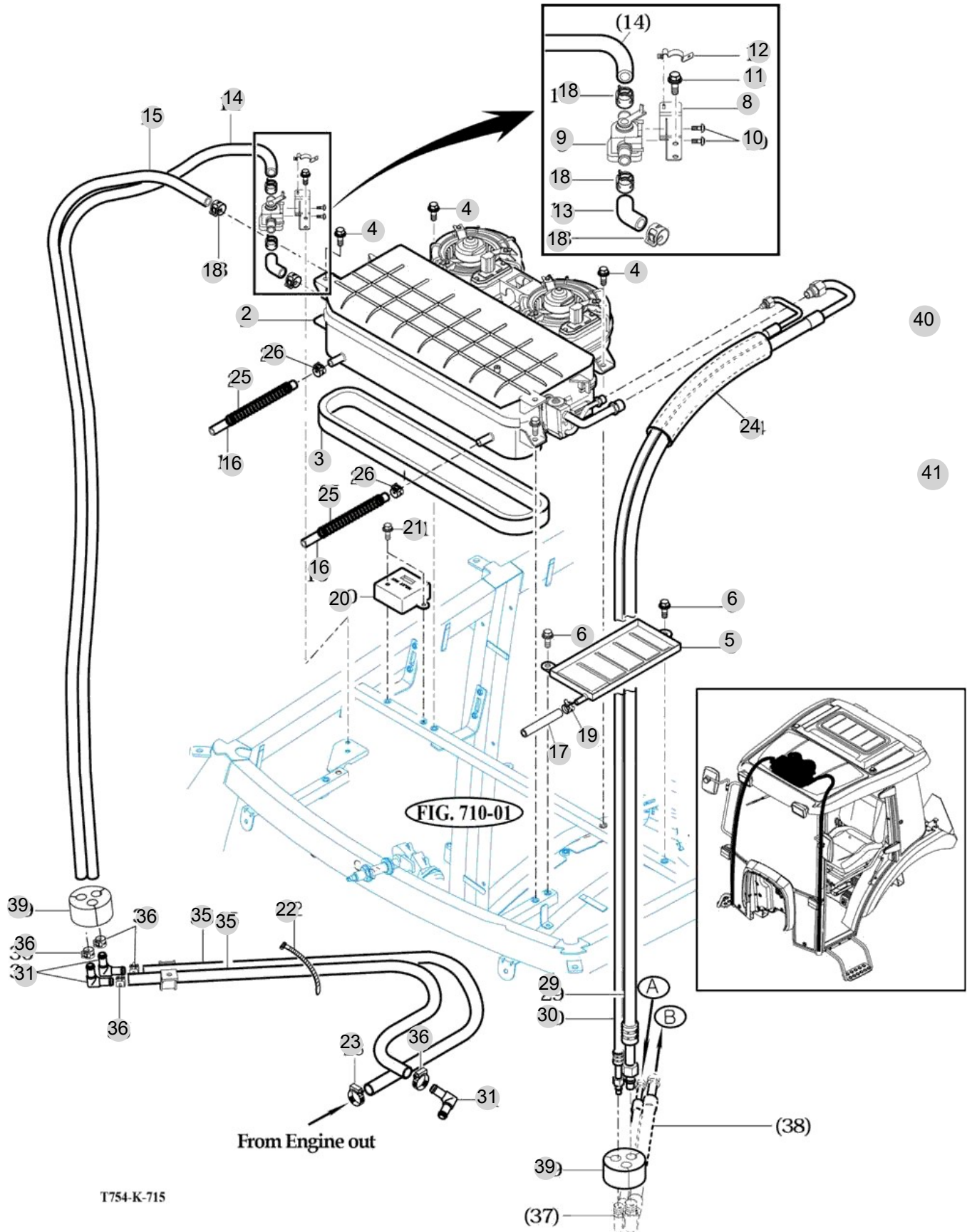
FIG 715

HEATER & AIR-CON

년/월
Year/Month

2022-12

T654SM



NOTE

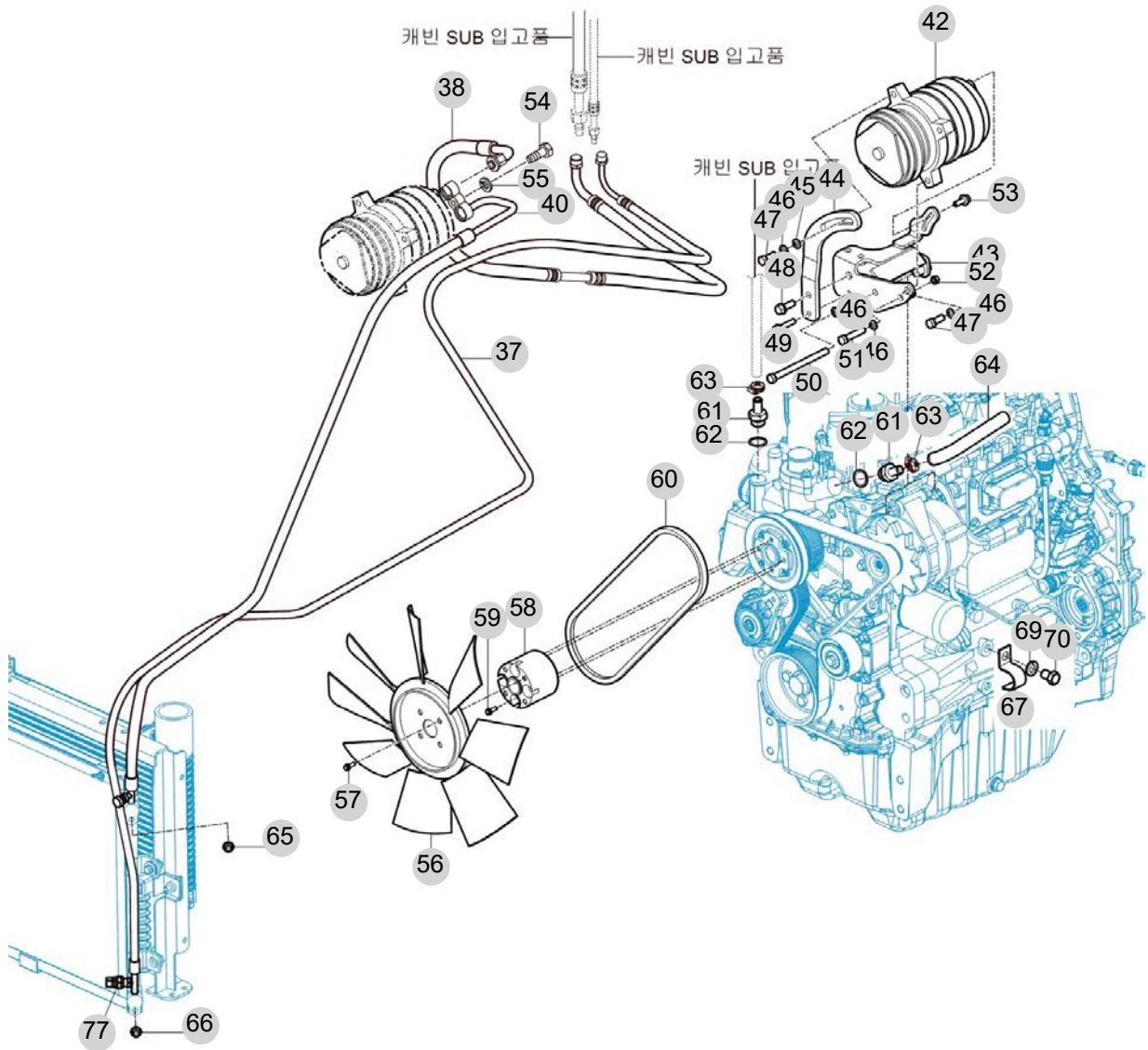
FIG 715-2

HEATER & AIR-CON

년/월
Year/Month

2022-12

T654SM



NOTE

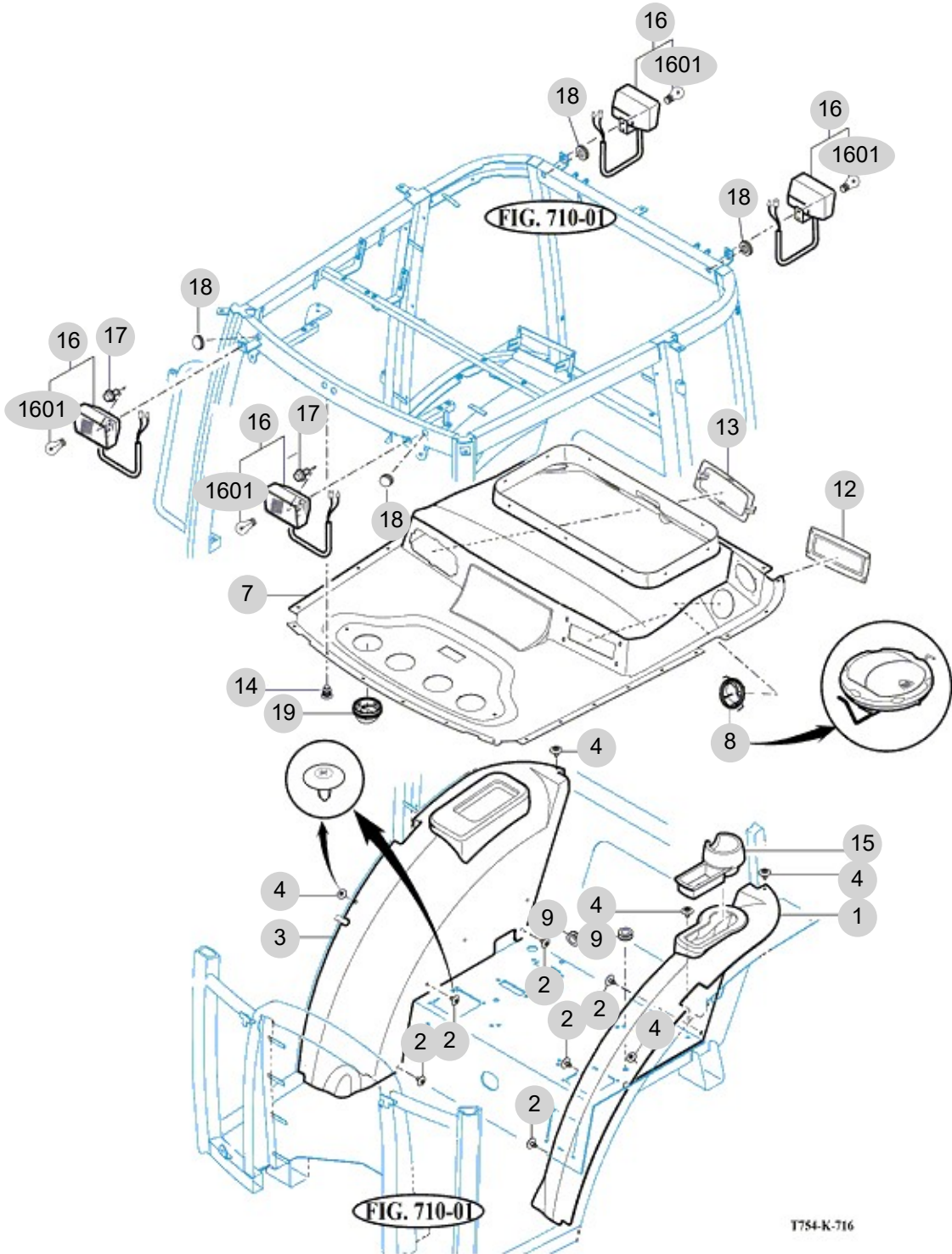
FIG 716

FENDER COVER

년/월
Year/Month

2022-12

T654SM



T754-K-716

NOTE

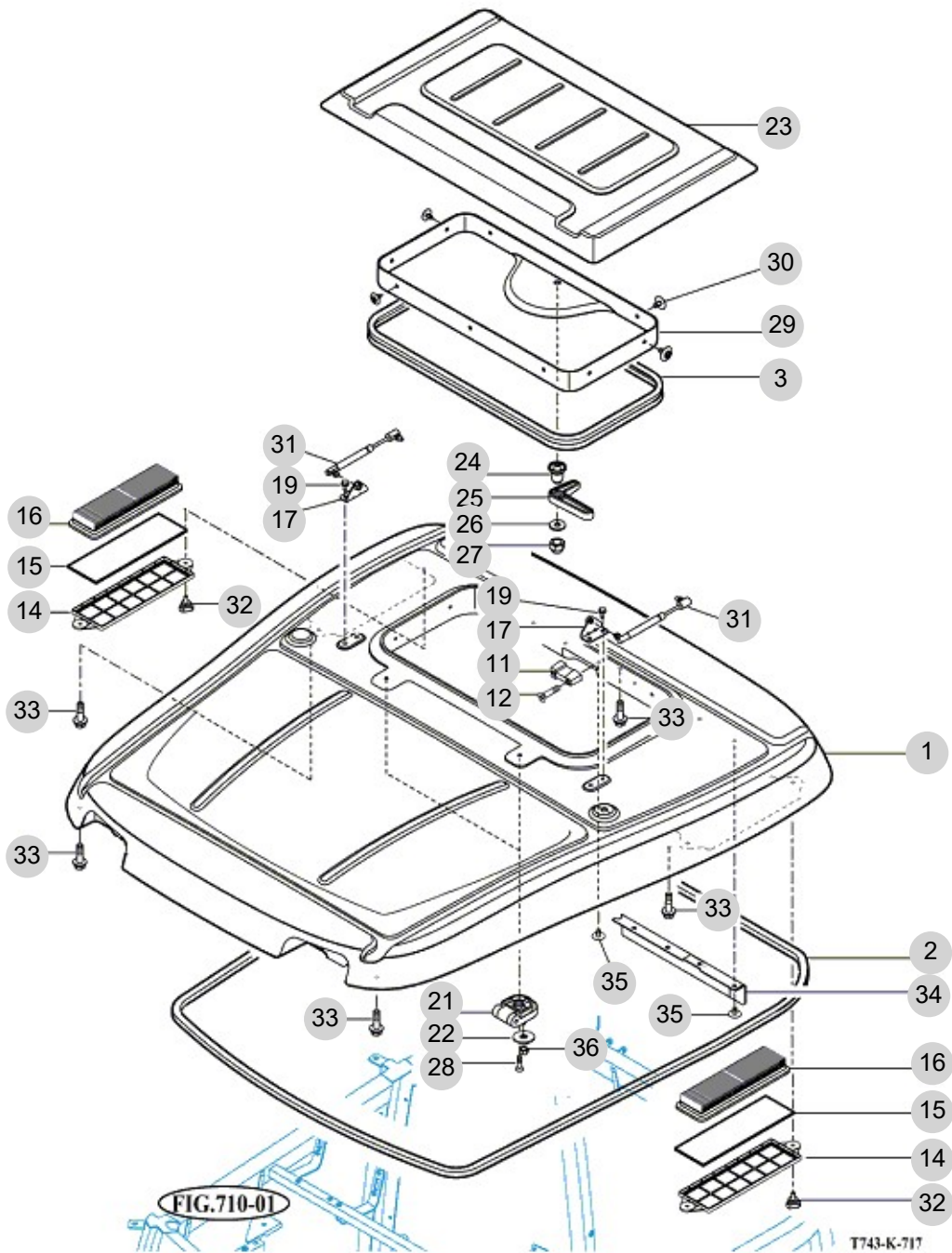
FIG 717

T654SM

ROOF

년/월
Year/Month

2022-12



NOTE

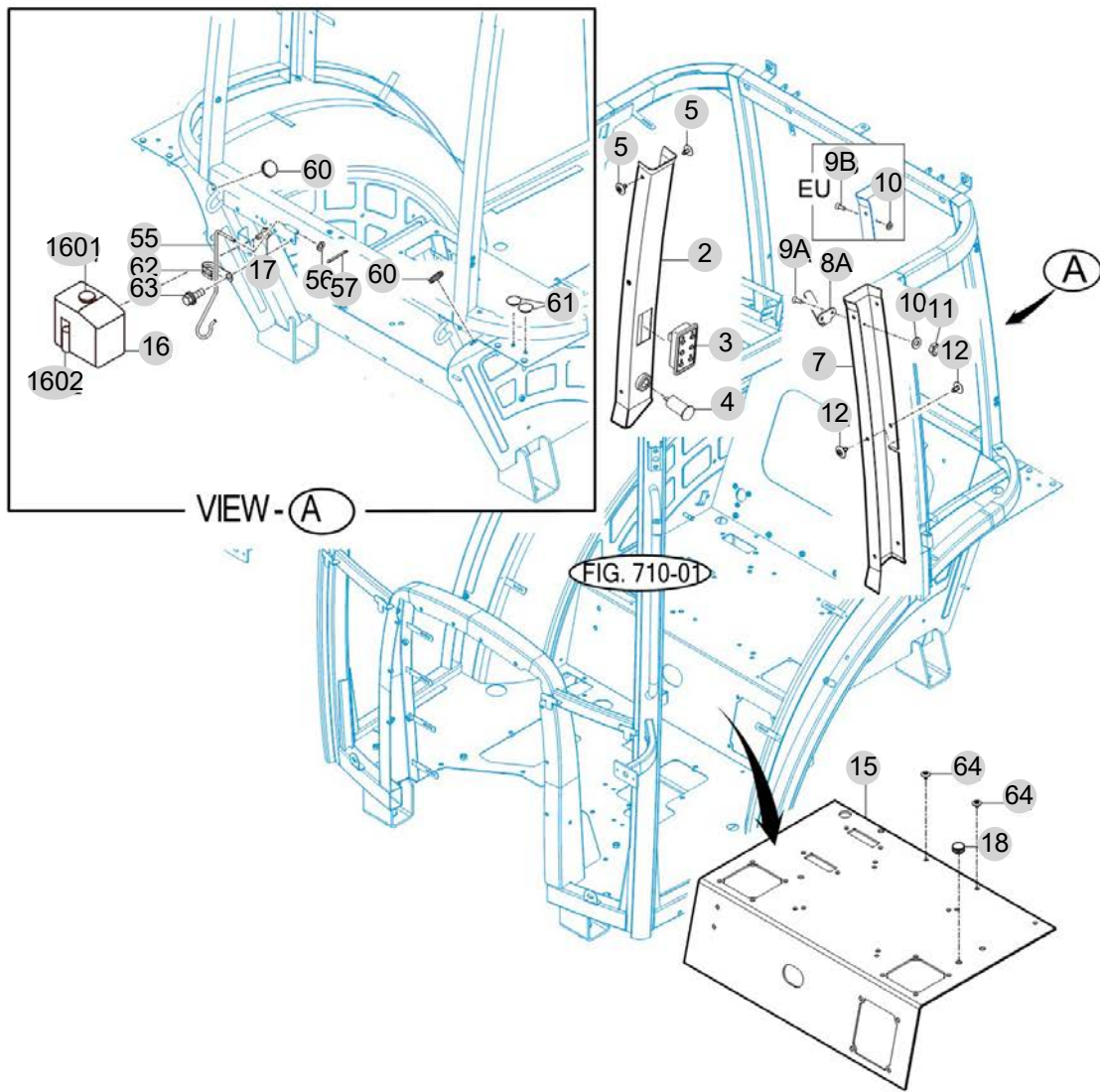
FIG 718

CABIN INTERIOR

년/월
Year/Month

T654SM

2022-12



T654-K-718

NOTE

8. Electrical System PART NO. T8

FIG 801 BATTERY & MOUNTING	227
FIG 802 HARNESS	229
FIG 803 LIGHT & BACK LAMP	231
FIG 804 INSTRUMENT PANEL	233
FIG 805 ELECTRIC SYSTEM (1)	235
FIG 806 ELECTRIC SYSTEM (2)	237

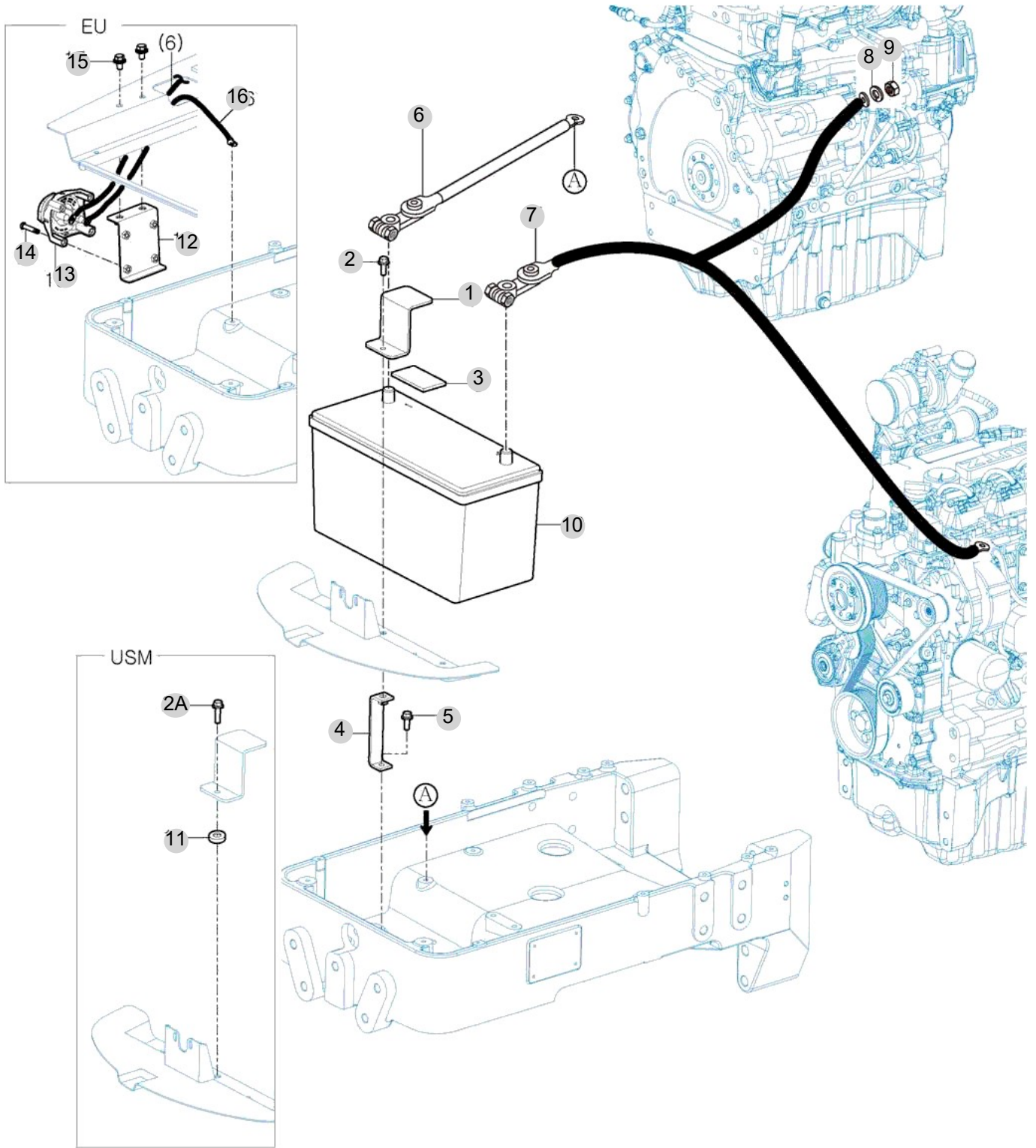
FIG 801

BATTERY & MOUNTING

년/월
Year/Month

2022-12

T654SM



NOTE

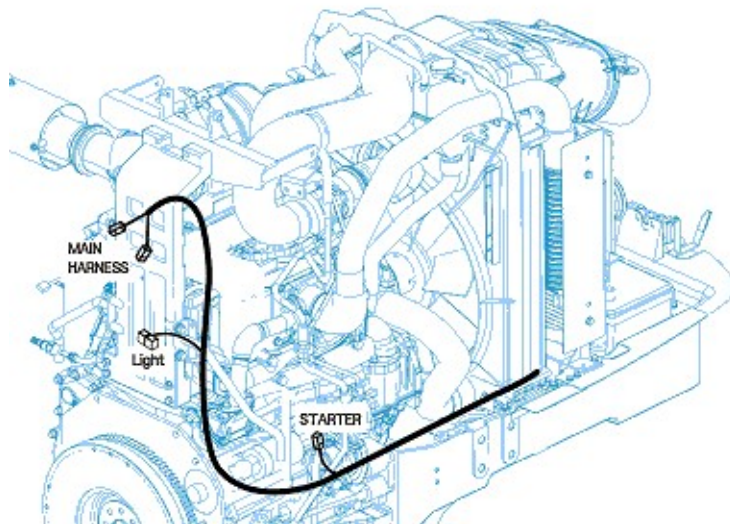
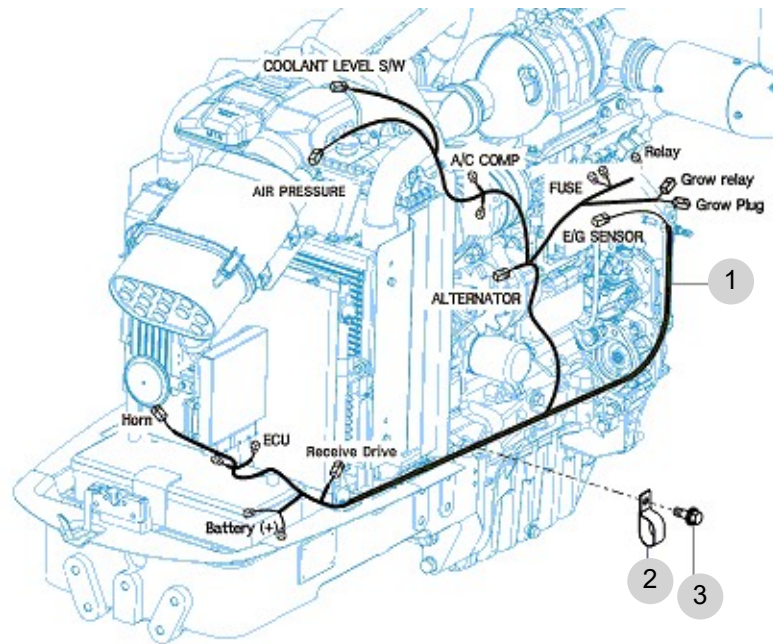
FIG 802

HARNESS

년/월
Year/Month

T654SM

2022-12



NOTE

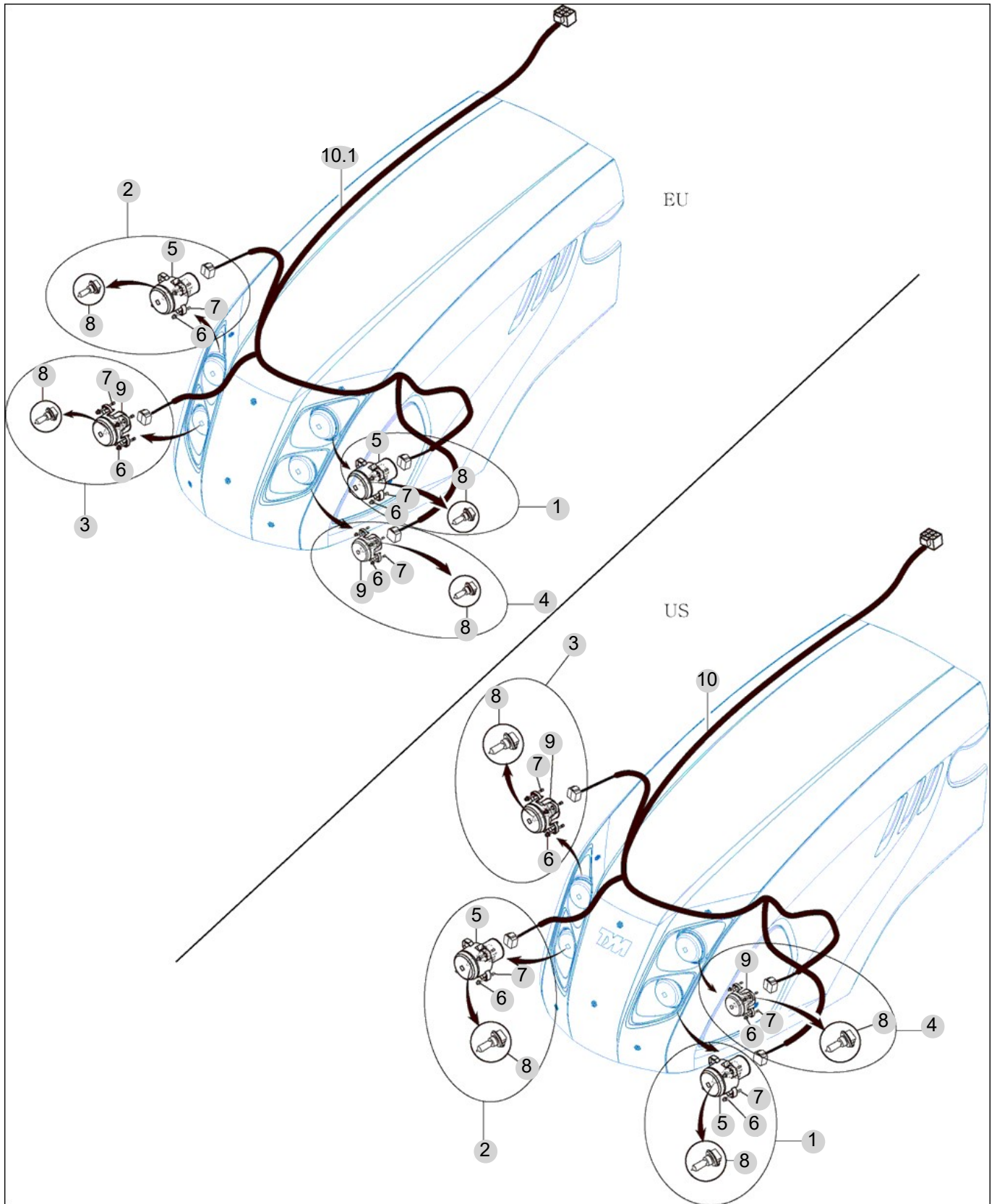
FIG 803

LIGHT & BACK LAMP

년/월
Year/Month

2022-12

T654SM



NOTE

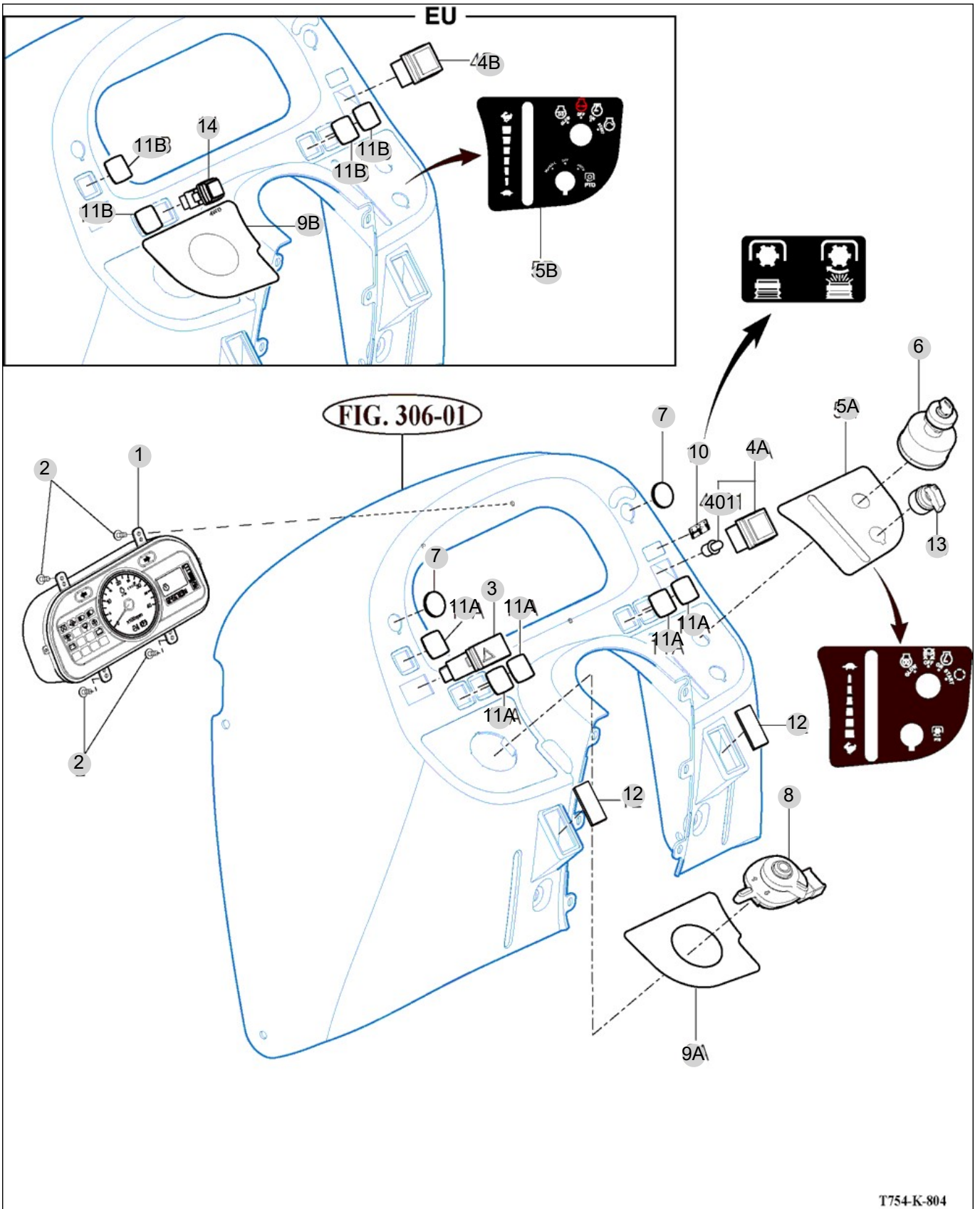
FIG 804

INSTRUMENT PANEL

년/월
Year/Month

2022-12

T654SM



NOTE

FIG 805

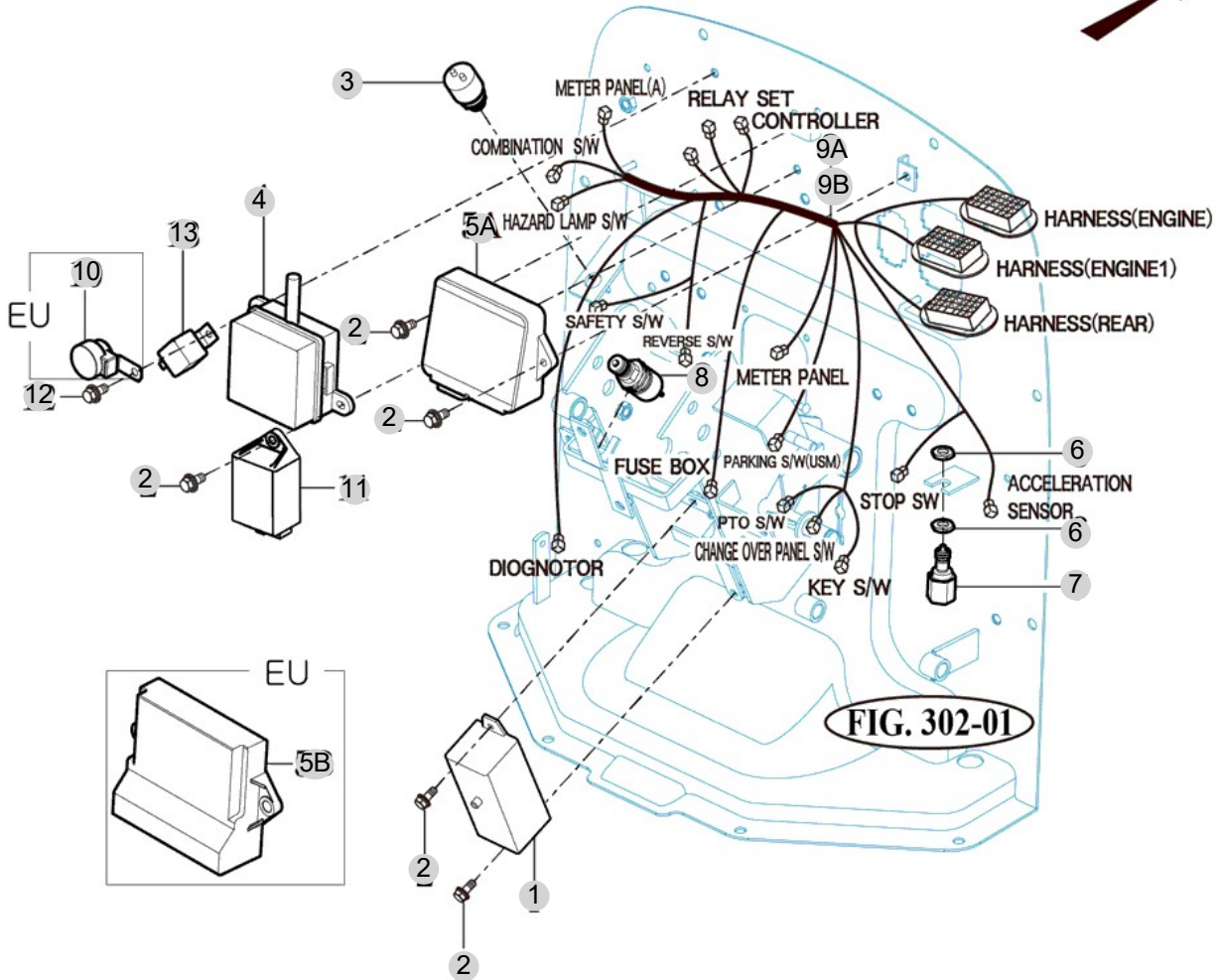
ELECTRIC SYSTEM (1)

년/월
Year/Month

2022-12

T654SM

Forward



T754-K-805

NOTE

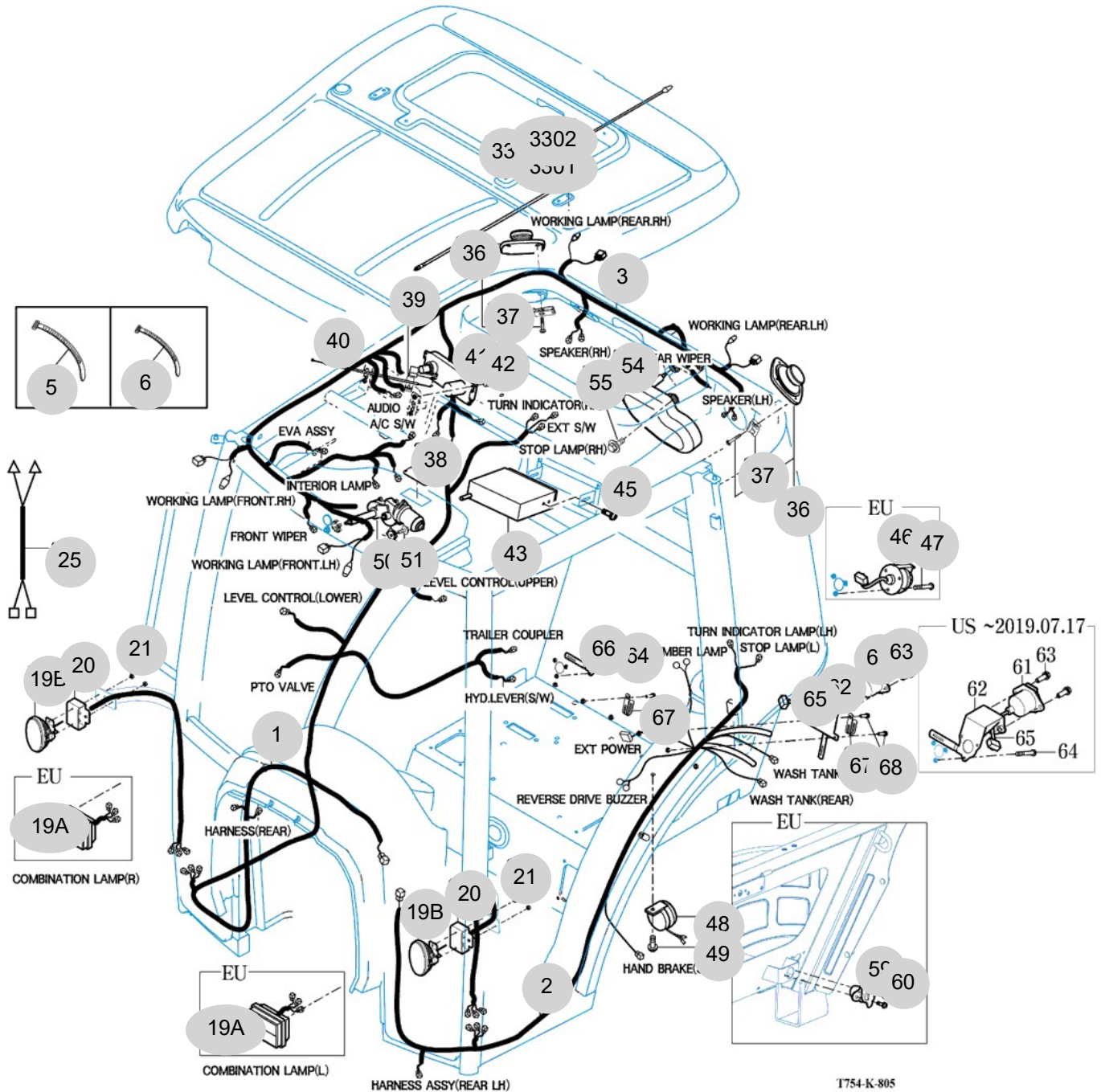
FIG 806

ELECTRIC SYSTEM (2)

년/월
Year/Month

T654SM

2022-12



T754-K-805

NOTE

FIG 806 T654SM		ELECTRIC SYSTEM (2)					년/월 Year/Month	
							2022-12	
KEY NO	PART NO	DESCRIPTION	SPEC	QTY	REPAIR	EFFECTIVE DATE	REMARKS	
806	1	18016683102	HARNESS ASSY , REAR			1		
806	1	18016683103	HARNESS ASSY , REAR			1		
806	1	18016683104	HARNESS ASSY , REAR			1		
806	1	18016683105	HARNESS ASSY , REAR			1		
806	1	18016683106	HARNESS ASSY , REAR			1		
806	2	18016683201	HARNESS ASSY , REAR LH			1		
806	2	18016683201	HARNESS ASSY , REAR LH			1		
806	2	18016683202	HARNESS ASSY , REAR LH			1		
806	2	18016683203	HARNESS ASSY , REAR LH			1		
806	2	18016683204	HARNESS ASSY , REAR LH			1		
806	3	14527024905	HARNESS ,CABIN			1		
806	3	14527024906	HARNESS ,CABIN			1		
806	5	13424020060	CABLE TIE , 300	1X1X1		5		
806	6	13764020030	CABLE TIE , 140			5		
806	19B	11446562000	LAMP ASSY , FR			2		
806	19B	11446562001	LAMP ASSY , FR TURN SIGNAL			2		
806	20	18026562000GB	BRACKET COMP , SIDE LAMP			2		
806	21	V3802600050	NUT , HEX FLANGE	M5		4		
806	25	V1222805016	SCREW , C/R PAN/SP			4		
806	25	11446682120	HARNESS ASSY, LAMP CONECT			2		
806	33	14527072300	ANTENNA ASSY	1X1X1		1		
806	3301	14527072310	ANTENNA	1X1X1		1		
806	3302	V1907004020	SCREW , TAPPING C/R PAN	M4X20		2		
806	36	14527025501	SPEAKER ASSY			2		
806	37	14527073120	SPRING NUT, SCREW	M4		8		
806	38	16997024500	LAMP ASSY , ROOM	12V 10W		1		
806	39	17687025300	CLIP , CABLE	1X1X1		1		
806	40	14527082230	CABLE ASSY, WATER VALVE	1X1X1		1		
806	41	14527082220	CONTROLLER ASSY, AIR CON	1X1X1		1		
806	42	V1112605012	SCREW , C/R PAN	M5X12		4		
806	43	17817024804	CD PLAYER ASSY			1		
806	43	10547024801	BLUETOOTH PLAYER ASSY			1		
806	45	V1222605016	SCREW , C/R PAN/SP	M5X16		2		
806	48	34522812402	BUZZER ASSY			1		
806	49	V2183608020	BOLT , HEX/SP	M8X20		1		
806	50	14527062600	MOTOR ASSY, FR/ WIPER	1X1X1		1		
806	50	14527062600	MOTOR ASSY, FR/ WIPER			1		
806	50	14527062601	MOTOR ASSY, FR/ WIPER			1		
806	51	V2193606020	BOLT , HEX/SPL	M6X20		1		
806	54	16997032000	MOTOR ASSY , WIPER			1		
806	54	16997032000	MOTOR ASSY , WIPER			1		
806	54	16997032001	MOTOR ASSY , WIPER			1		
806	55	V2193606020	BOLT , HEX/SPL	M6X20		1		
806	61	13267028202	SOCKET ASSY , TRAILER			1		
806	61	13307028201	SOCKET ASSY , TRAILER			1		
NOTE								

9. Label/Option PART NO. T9

FIG 901 TOOL & ACCESSORY	241
FIG 903 LABEL	243
FIG 903 LABEL	245

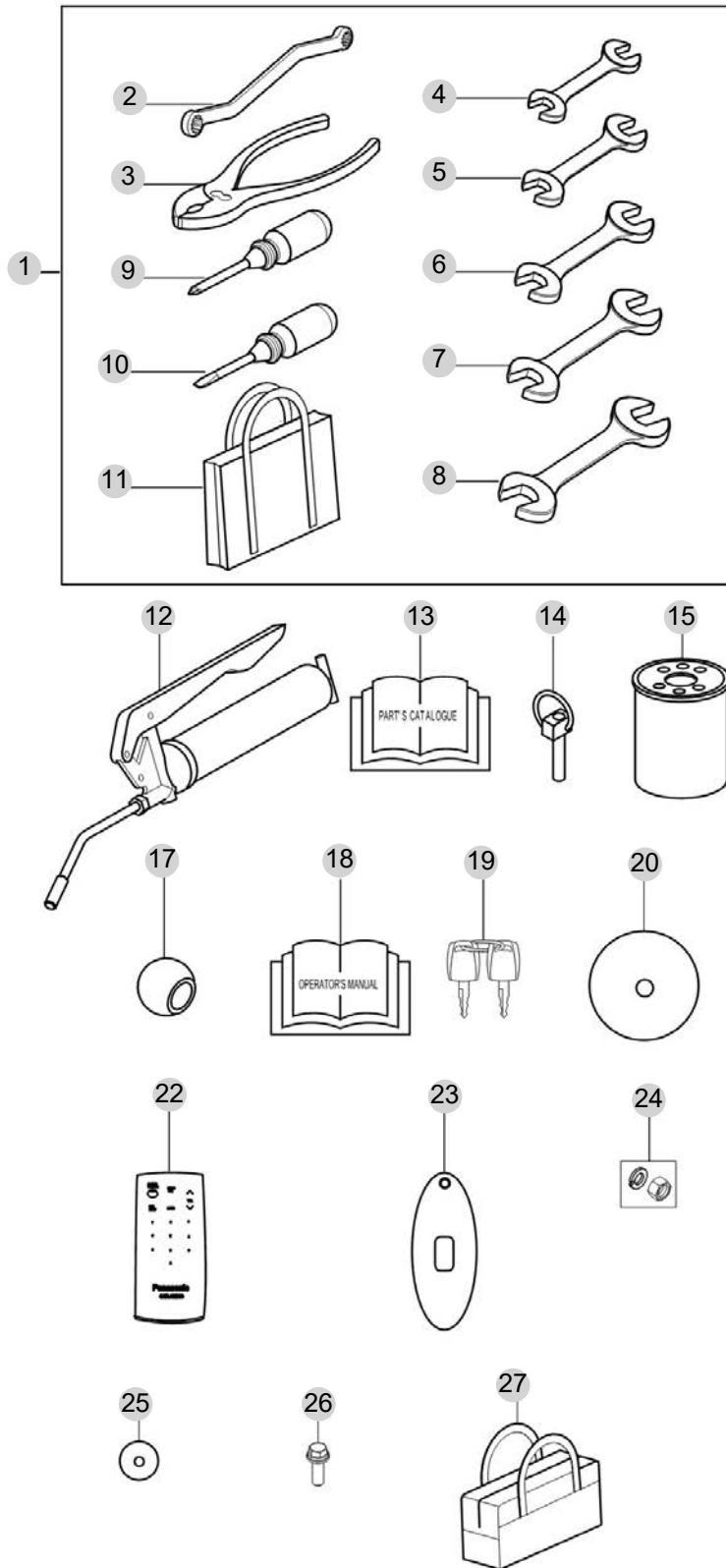
FIG 901

TOOL & ACCESSORY

년/월
Year/Month

2022-12

T654SM



NOTE

FIG 903

LABEL

년/월
Year/Month

T654SM

2022-12

Inner/Outer air Ventilation

- When grills of rear and both sides are opened, inner air will ventilate in.
- For effective use, open it when operate heater or air conditioner and close when ventilate fresh air.

1200-904-122-1

18

T654

51

TYM

90



⚠ DANGER

Do not ride except operator.

1200-910-016-0

6

⚠ CAUTION

Do not touch while the system is hot. It cause serious burns.

1200-910-024-6

33



32B

TYM CORPORATION

HSR02 7031

DATE APPROVAL REVISION

REV	TOTAL		
	T-1	T-2	T-3
B-1	12	18	12
B-2	12	18	12
B-3	12	18	12
B-4	12	18	12

Manufactured by TYM CORPORATION

32A

⚠ WARNING

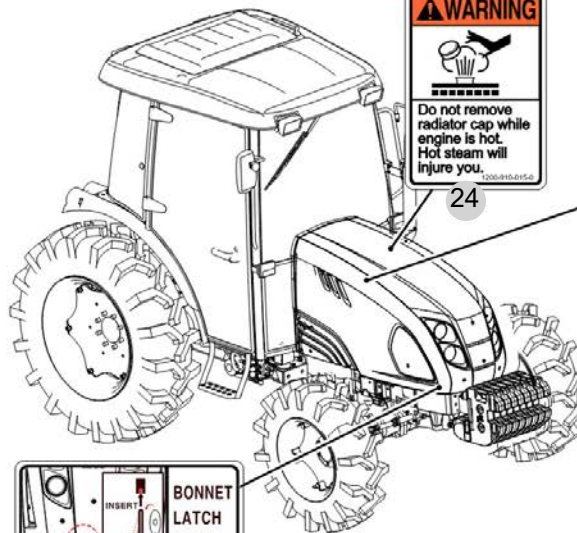
Do not refuel the tractor while smoking or near naked flame or sparks. always stop engine before refueling tractors.

1200-910-025-6

17



87



⚠ WARNING

Do not remove radiator cap while engine is hot. Hot steam will injure you.

1200-910-017-6

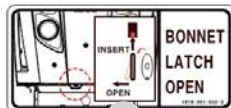
24

⚠ CAUTION

Keep hands and clothing away from rotating fan and belts to prevent serious injury.

1200-910-012-0

23



88

NOTE

