

FIG 001-1

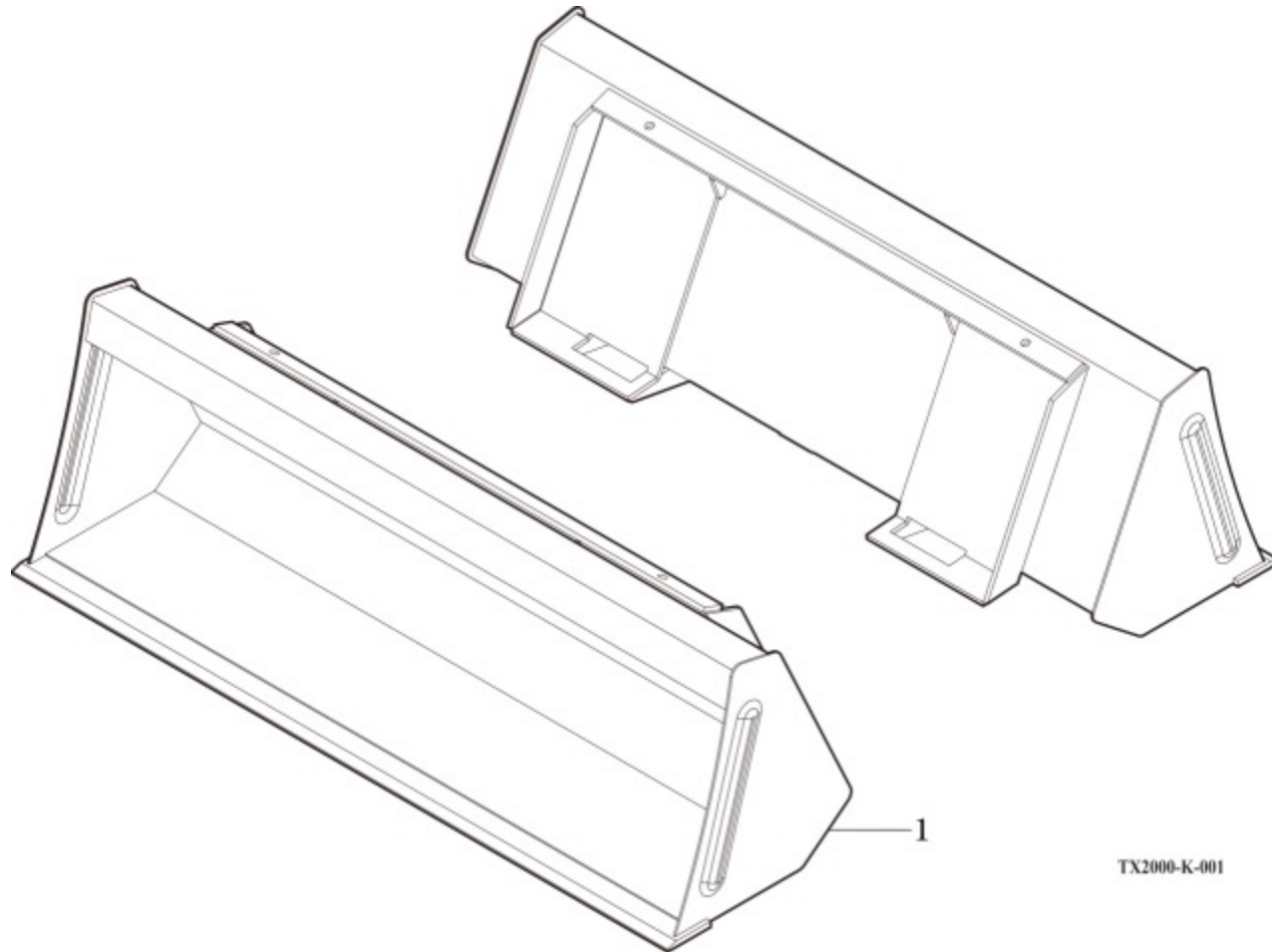
TX2000

# BUCKET (BOBCAT TYPE)

P1

Year / Month

2019 / 01



TX2000-K-001



FIG 001-2

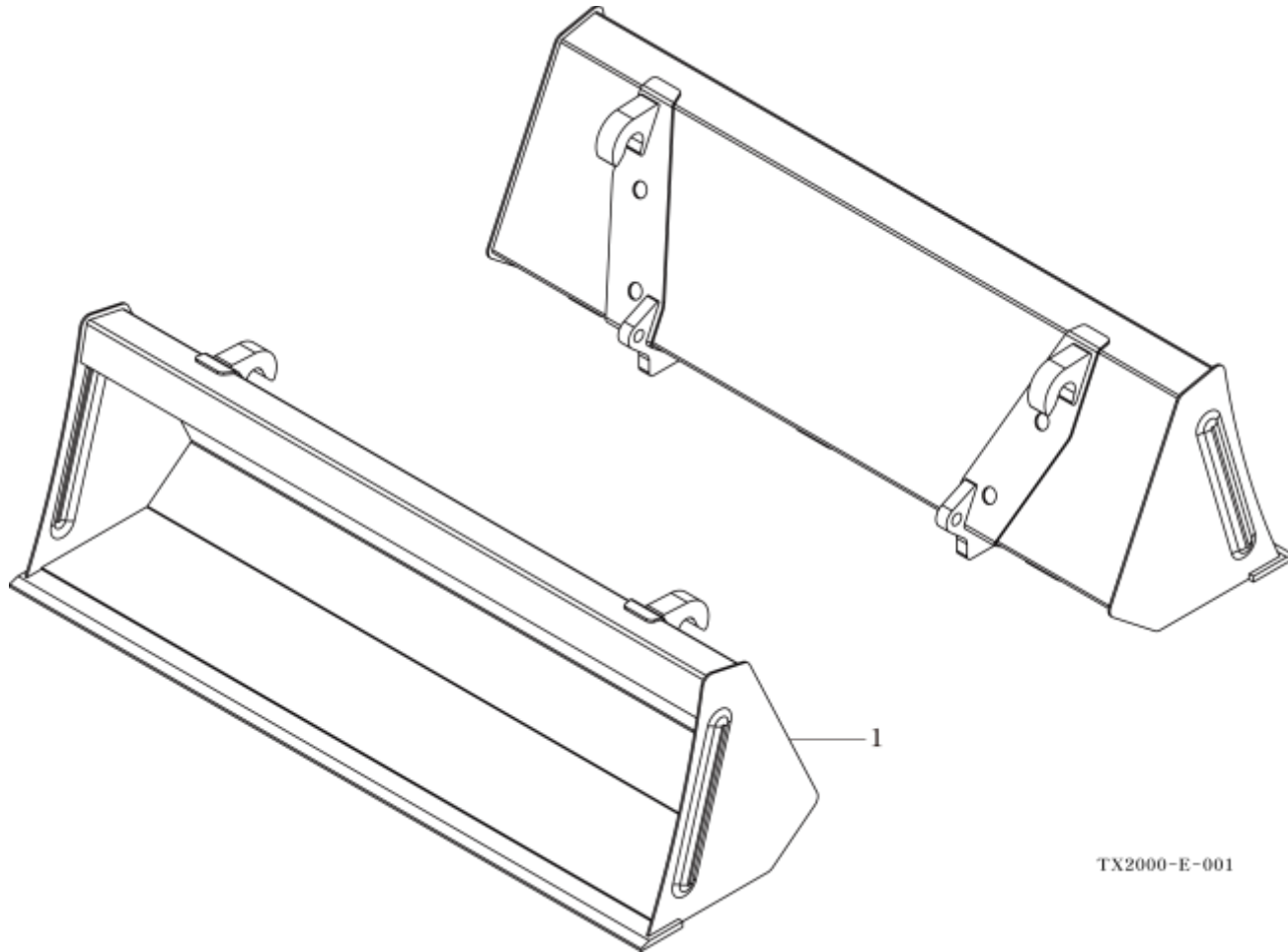
TX2000

# BUCKET (EURO TYPE)

P1

Year / Month

2019 / 01



TX2000-E-001



FIG 002-1

TX2000

# QUICK ATTACHMENT ASS'Y

P1

Year / Month

2019 / 01

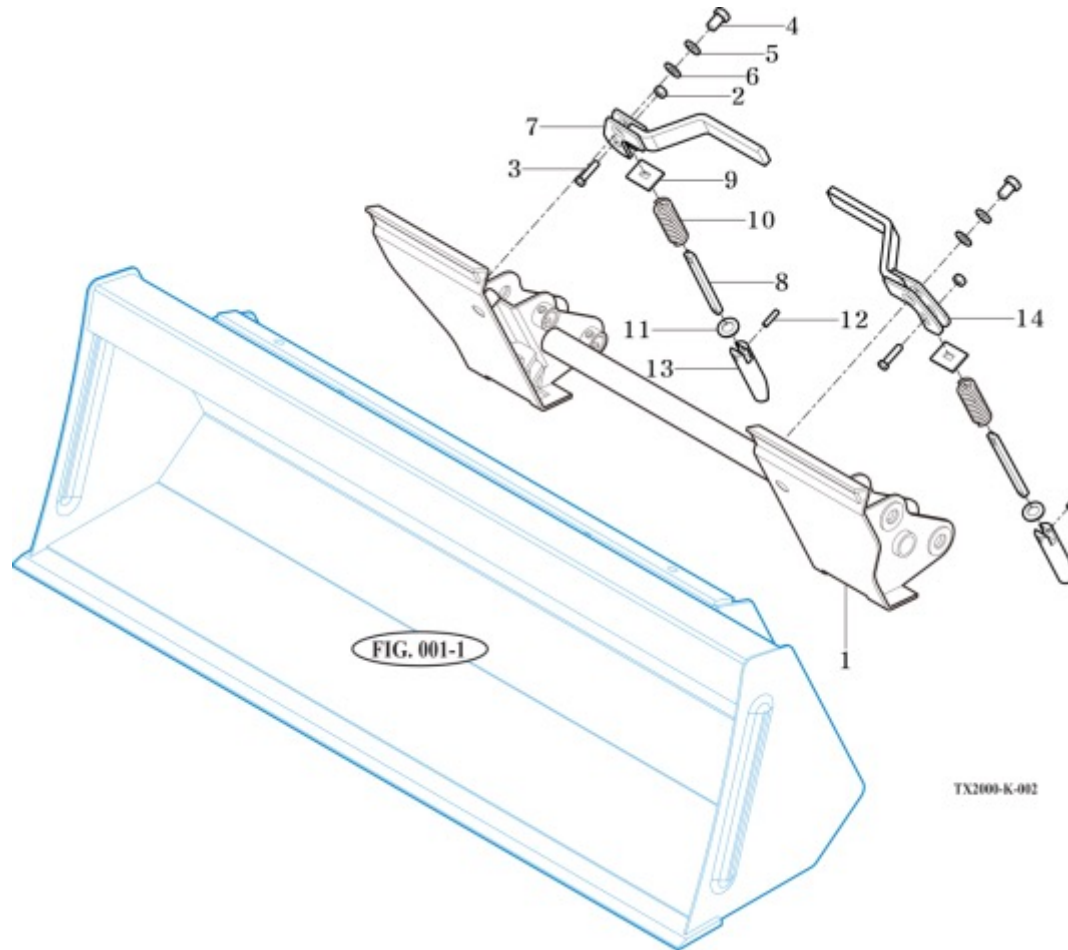




FIG 002-2

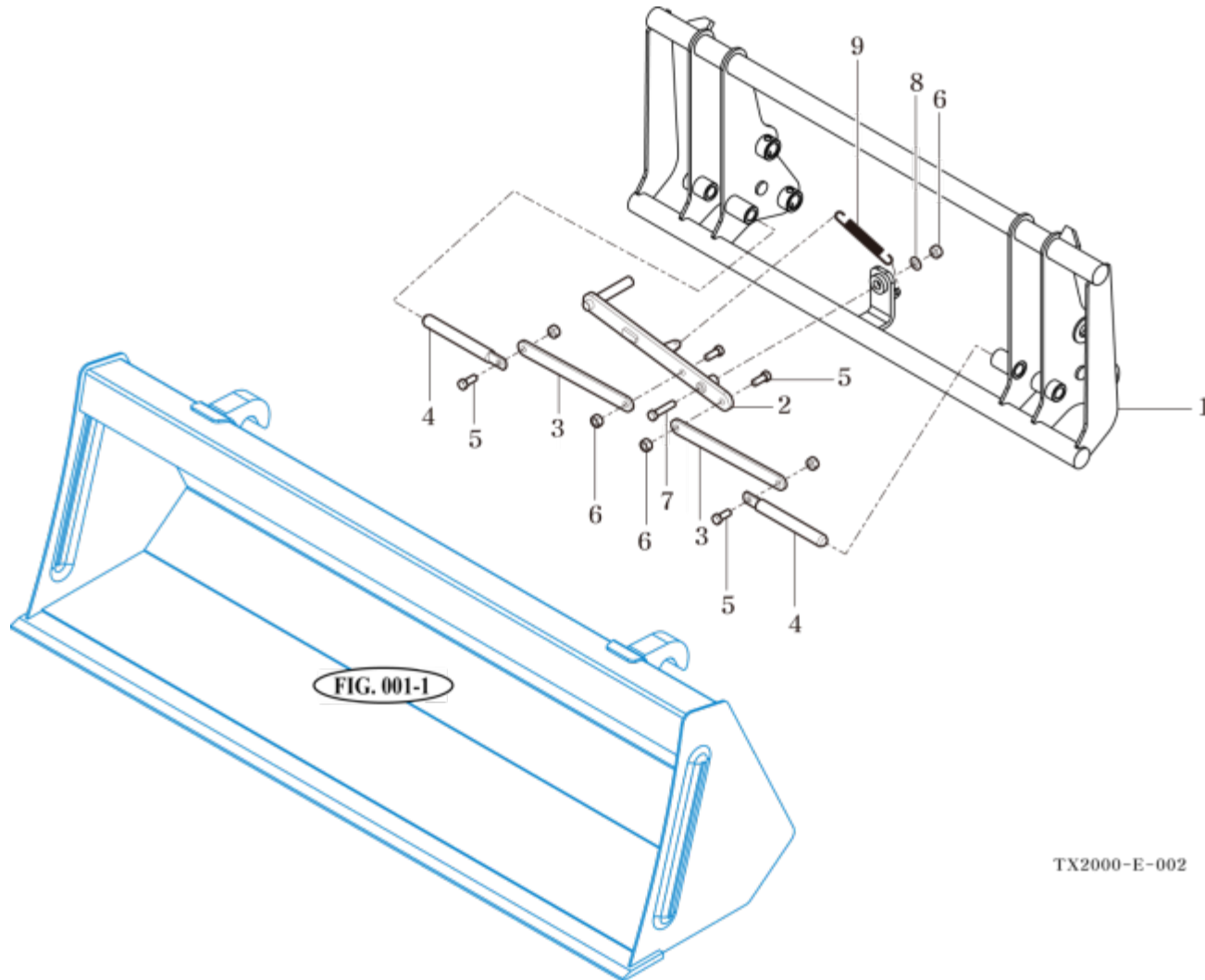
TX2000

# QUICK ATTACHMENT ASS'Y (EURO TYPE)

P1

Year / Month

2019 / 01



TX2000-E-002





FIG 003

TX2000

# MOUNTING FRAME ASS'Y

P1

Year / Month

2019 / 01

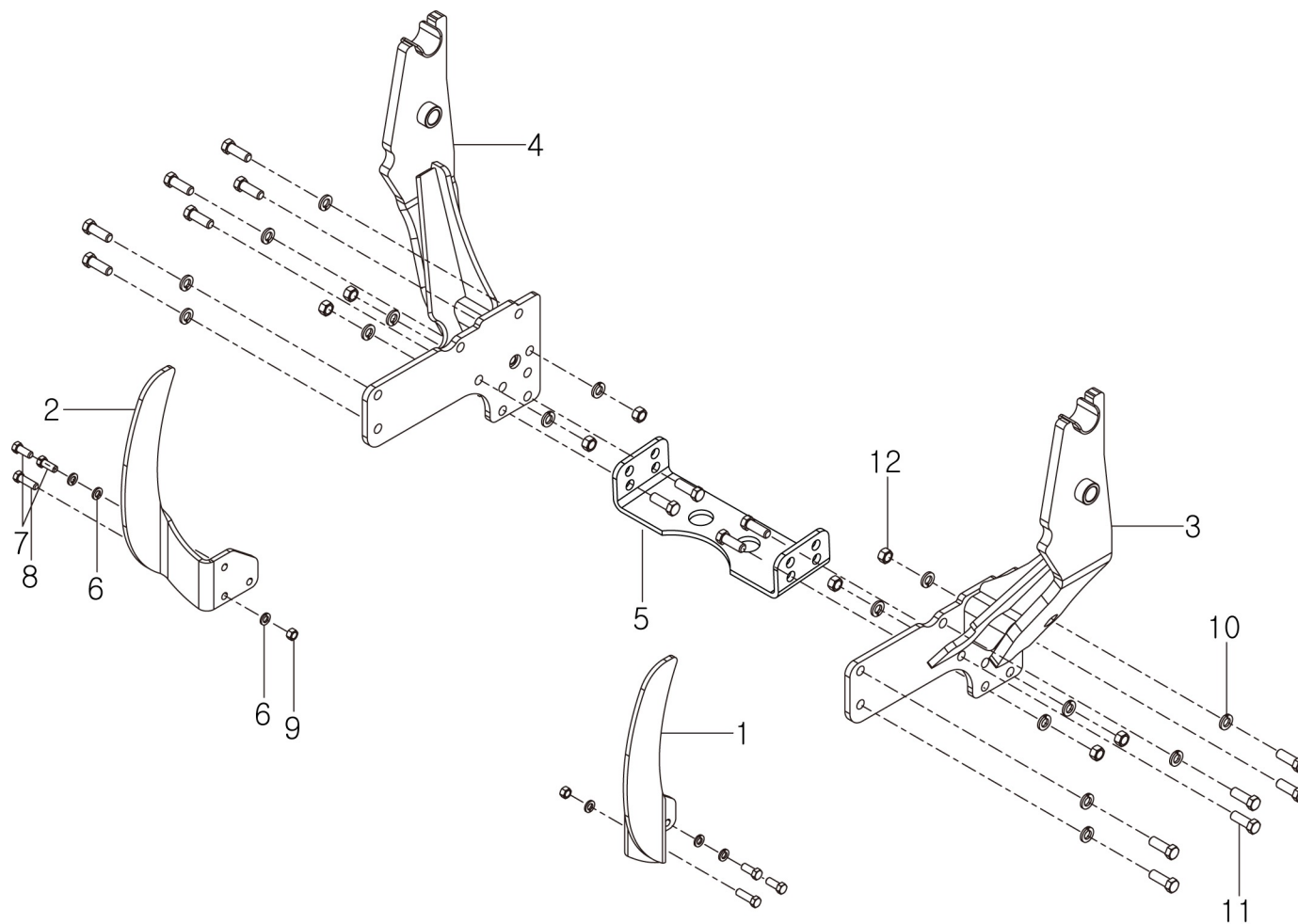
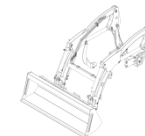




FIG 004

TX2000

# BOOM ASS'Y

P1

Year / Month

2019 / 01

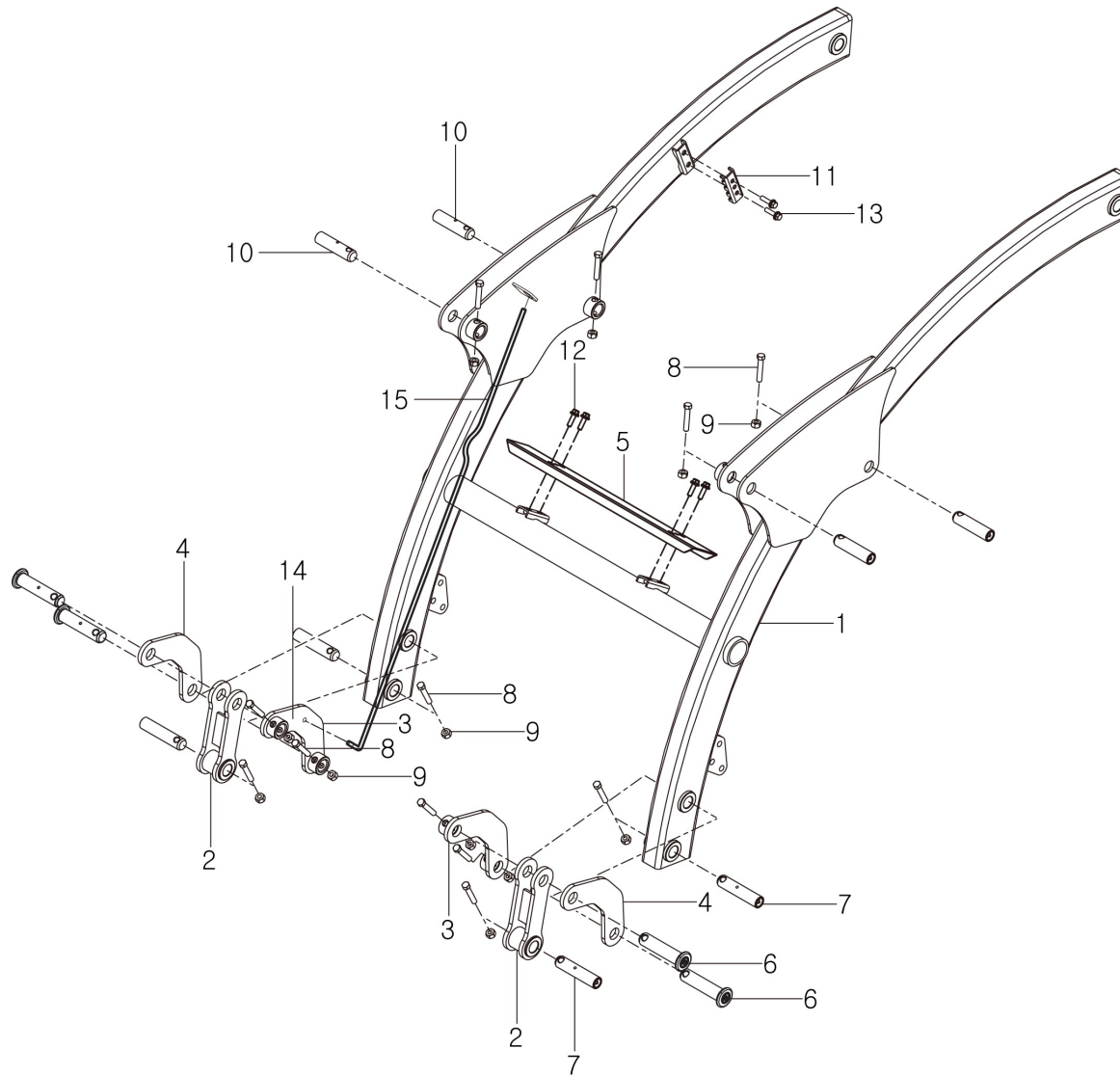




FIG 005

TX2000

# POST ASSEMBLY

P1

Year / Month

2019 / 01

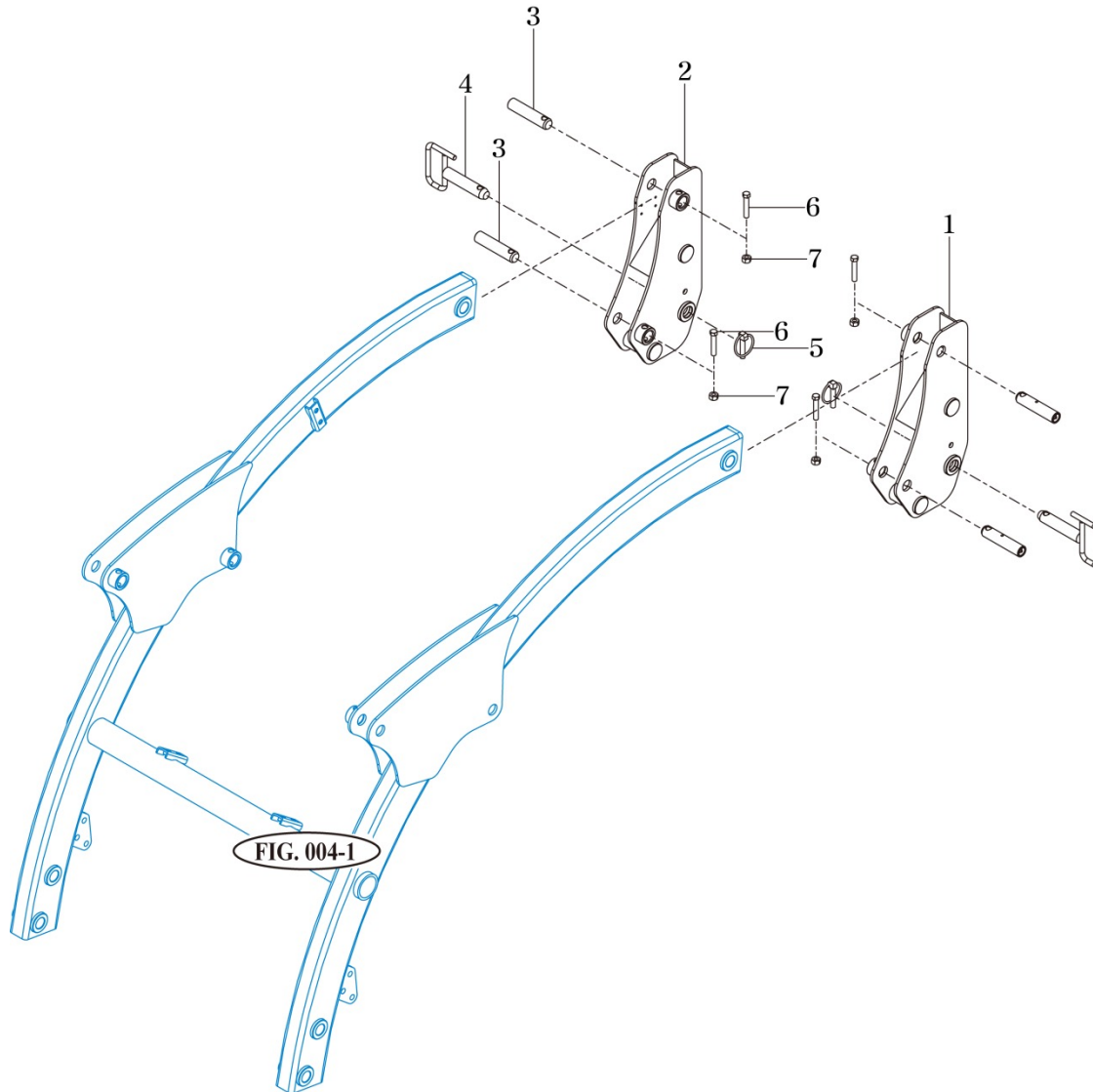




FIG 006

TX2000

# STAND

P1

Year / Month

2019 / 01

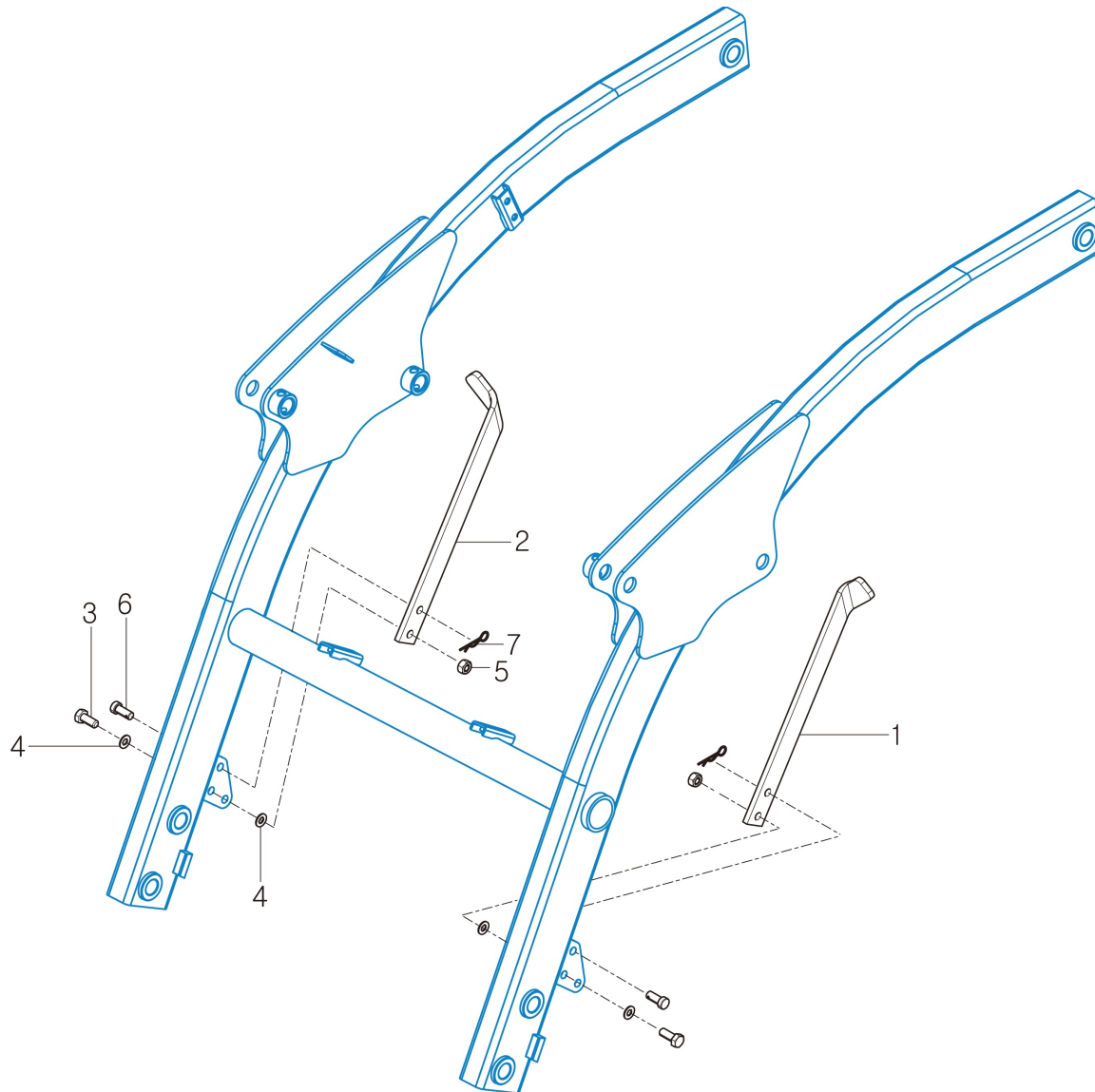






FIG 007-1

TX2000

# HYDRAULIC PIPING ASSEMBLY (Standard type)

P1

Year / Month

2019 / 01

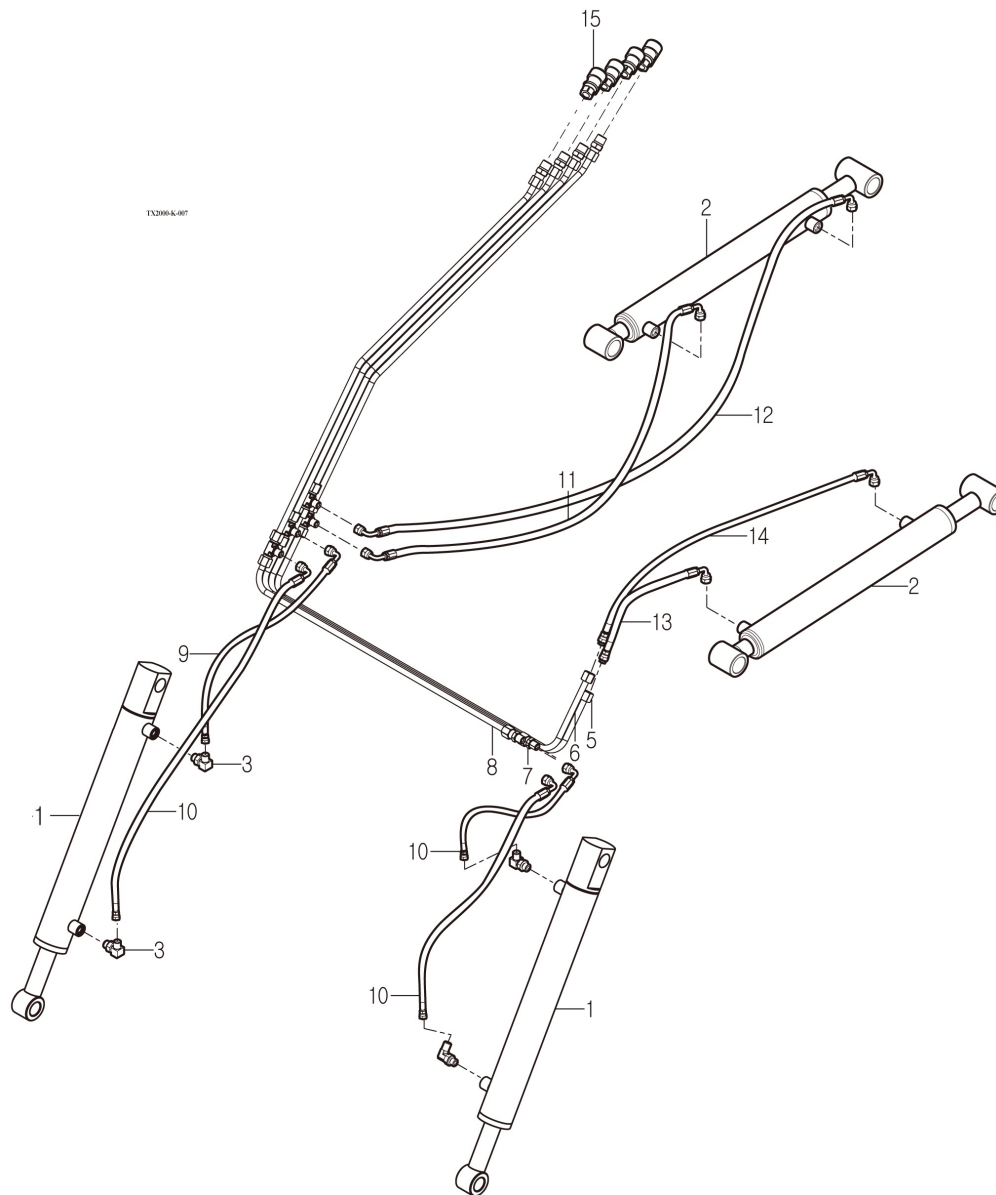
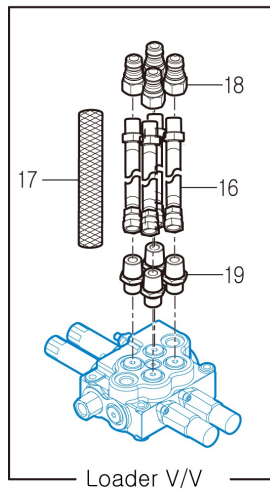
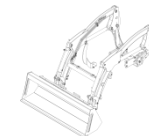




FIG 007-2

TX2000

# HYDRAULIC PIPING ASSEMBLY (3<sup>rd</sup> Function type)

P1

Year / Month

2019 / 01

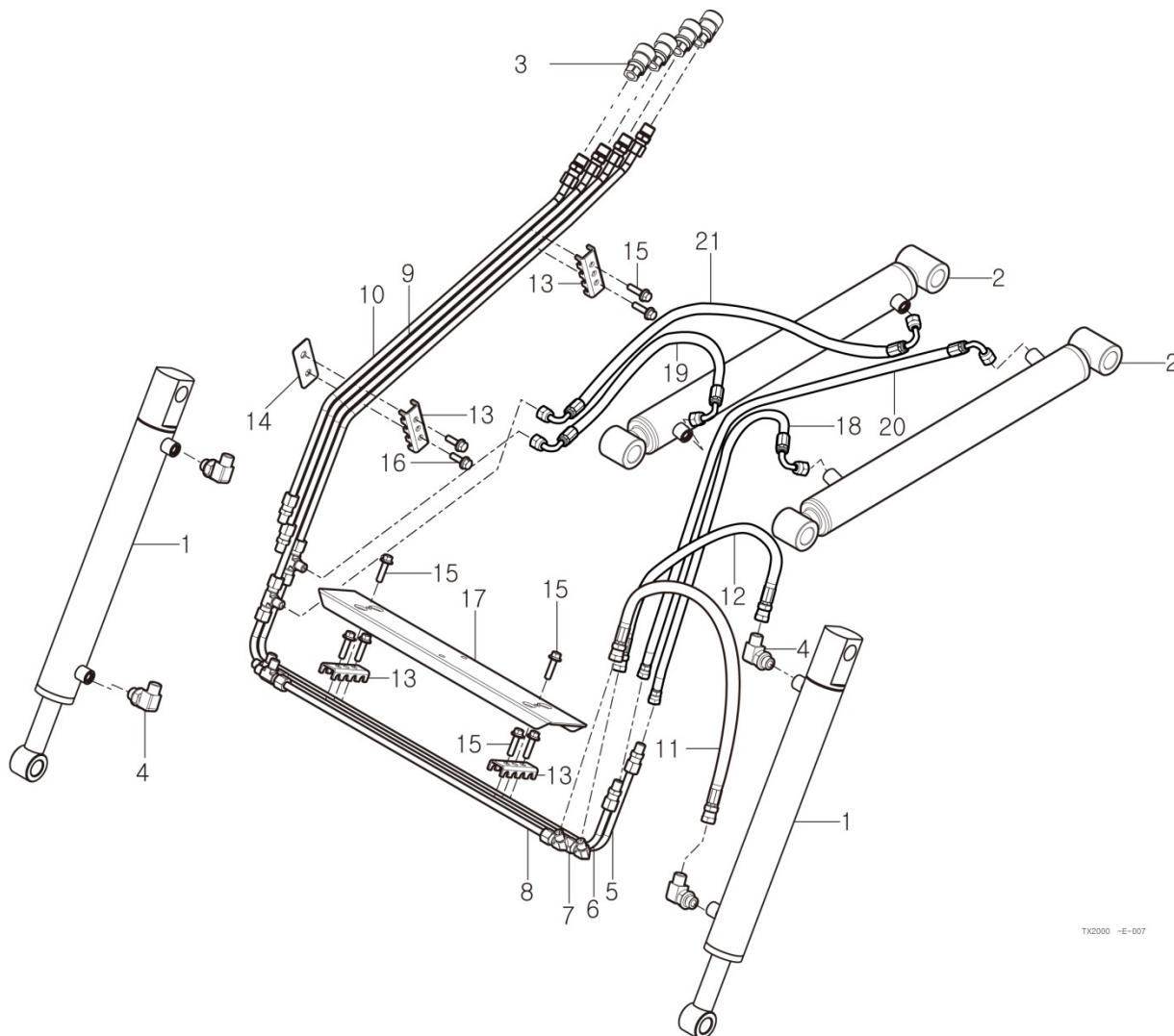
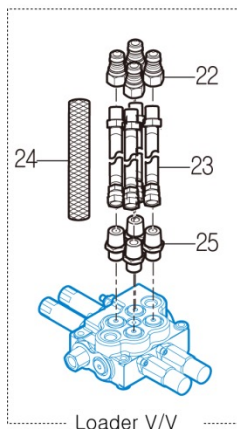
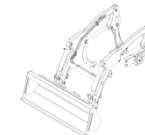



FIG 007- 2		HYDRAULIC PIPING ASSEMBLY			P1	Year/Month 2019/01	
KEY NO.	PART NO.	DESCRIPSTION	SPEC.	QTY.	EFFECTIVE DATE	REMARKS	
007 001	85113001000GB	BUCKET CYLINDER LH		2			
007 002	87503003004GB	BOOM CYLINDER		2			
007 003	16495301000	COUPLER	PT3/8	4			
007 004	19027562050	ADAPTER , PF1/4	PF1/4	4			
007 005	85113004000	PIPE ASSY , BOOM UP	PF1/4	1			
007 006	85113005000	PIPE ASSY , BOOM DOWN	PF1/4	1			
007 007	88203005200	PIPE ASSY , B LOW	PF1/4	1			
007 008	88203004200	PIPE ASSY , A LOW	PF1/4	1			
007 009	88203004101	PIPE ASSY , A UPPPER	PF1/4	1			
007 010	88203005101	PIPE ASSY , B UPPPER	PF1/4	1			
007 011	85103008050	HOSE ASSY , 380 HYD	PF1/4	1		rollback lh	
007 012	80105201500	HOSE ASSY , 450 90° HYD	PF1/4	1		dump lh	
007 013	85102000050	BRACKET A	3.2T	4			
007 014	88202000300	BRACKET A COMP	3.2T	1			
007 015	V2183608035	BOLT , HEX	M8X35	8			
007 016	V2183608030	BOLT , HEX	M8X30	2			
007 017	87603009101SR	COVER COMP , PIPE		1			
007 018	85113009230	HOSE , 430/90°	PF1/4	1		boom up lh	
007 019	85113009210	HOSE , 380/90°/90°	PF1/4	1		boom up rh	
007 020	85113009240	HOSE , 880/90°	PF1/4	1		boom down lh	
007 021	85113009220	HOSE , 860//90°/90°	PF1/4	1		boom down rh	
007 022	V7740010601	NIPPLE	PT3/8	4			
007 023	85103008110	HOSE 1300	PF1/4, PT3/8	4			
007 024	85103008120	HOSE COVER , 1000	L=1000	1			
007 025	80105030300	UNION , PF3/8-PF1/4	PF3/8-PF1/4	4			

FIG 008

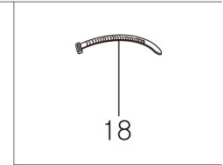
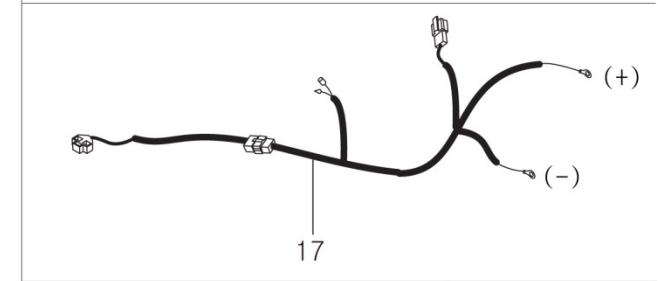
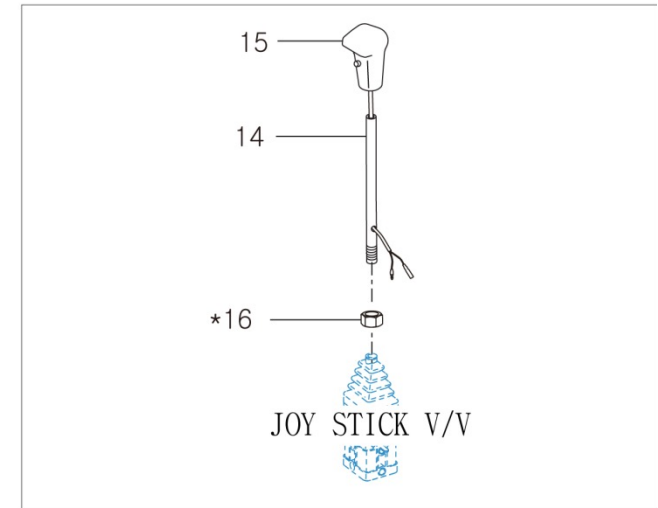
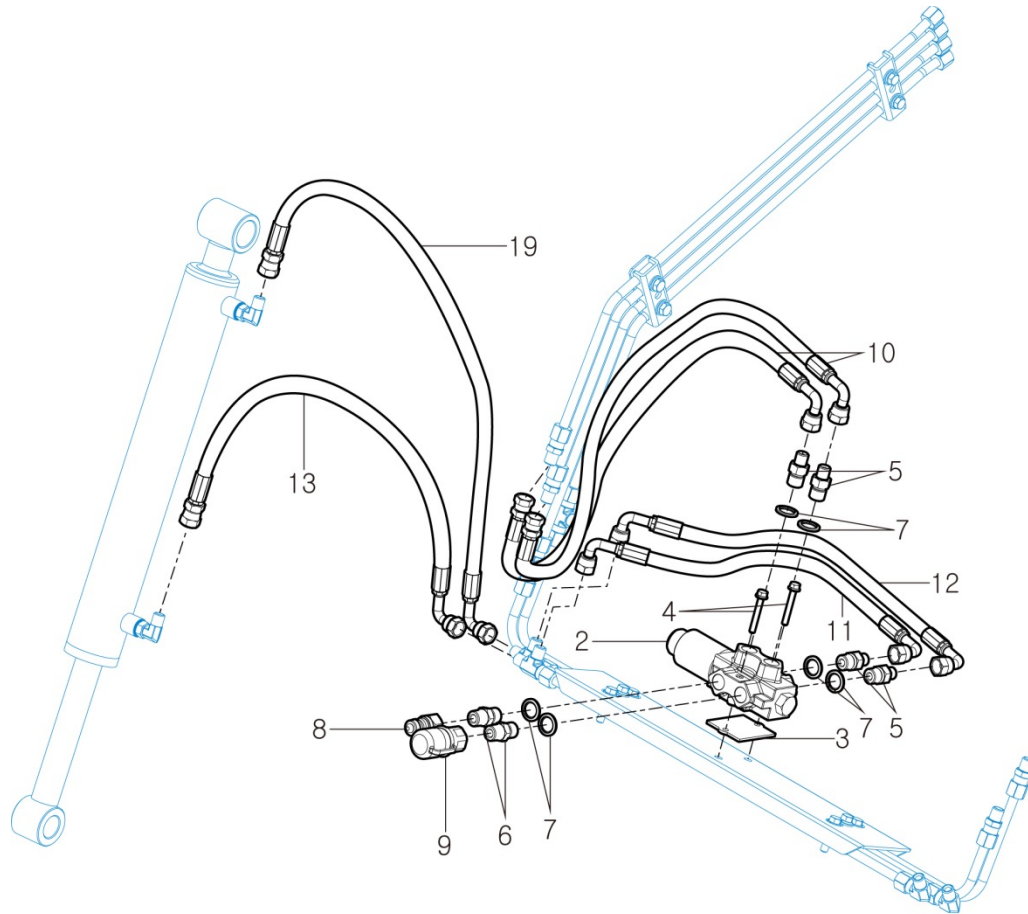
TX2000

# 3RD FUNCTION VALVE SUB

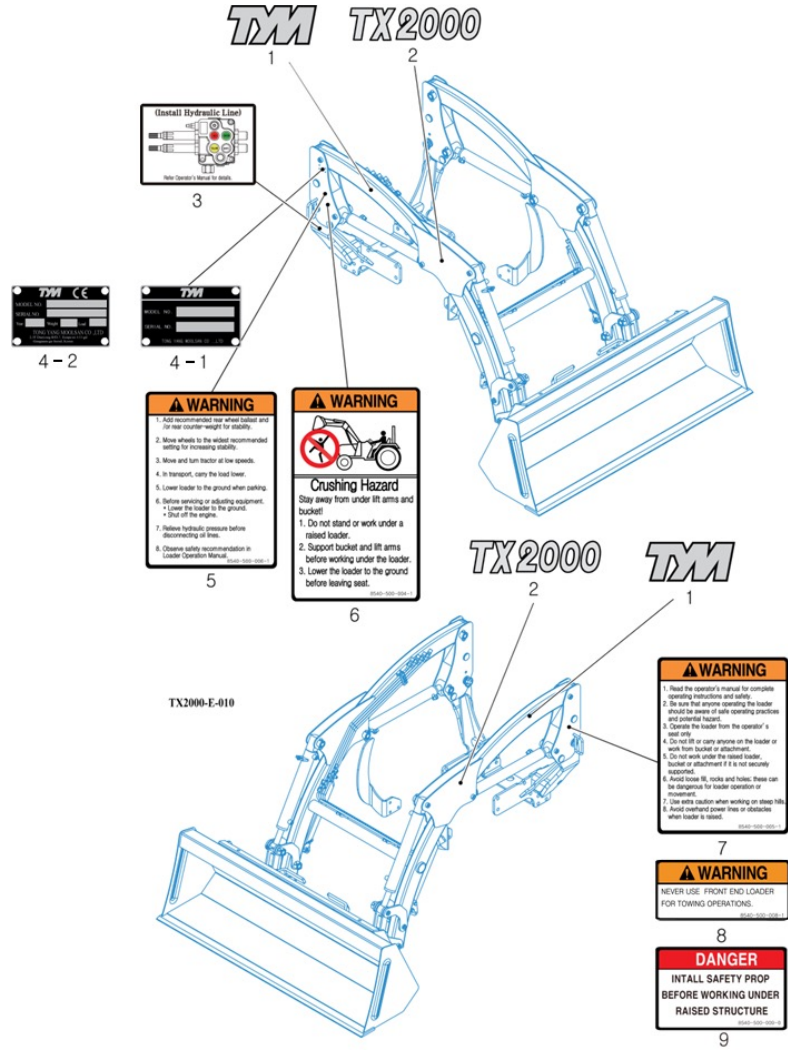
P1

Year / Month

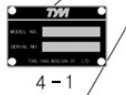
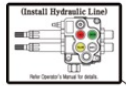
2019 / 01







**T<sub>M</sub> TX2000**



**TX2000 T<sub>M</sub>**

TX2000-E-010

