

FIG 001

TX57

# BUCKET

P1

Year / Month

2019 / 04

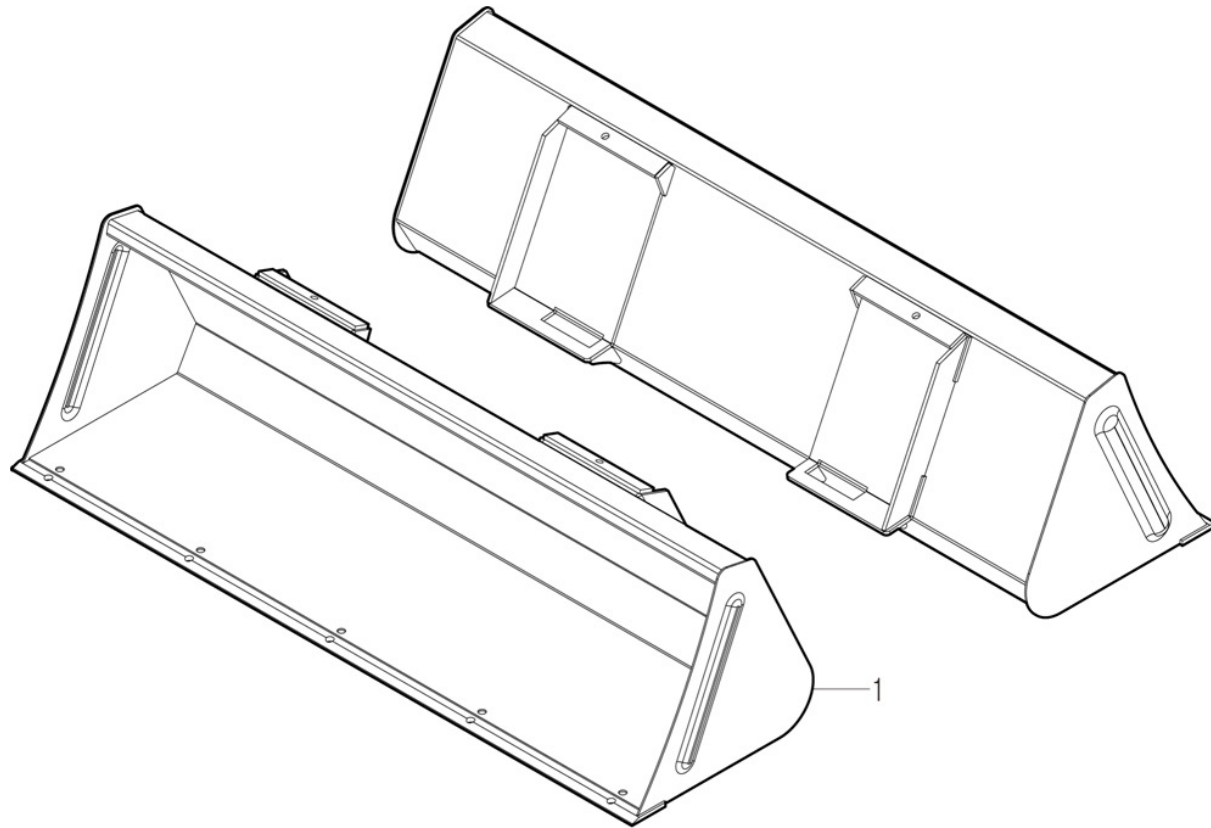




FIG 002

TX57

# QUICK ATTACHMENT ASS'Y

P1

Year / Month

2019 / 04

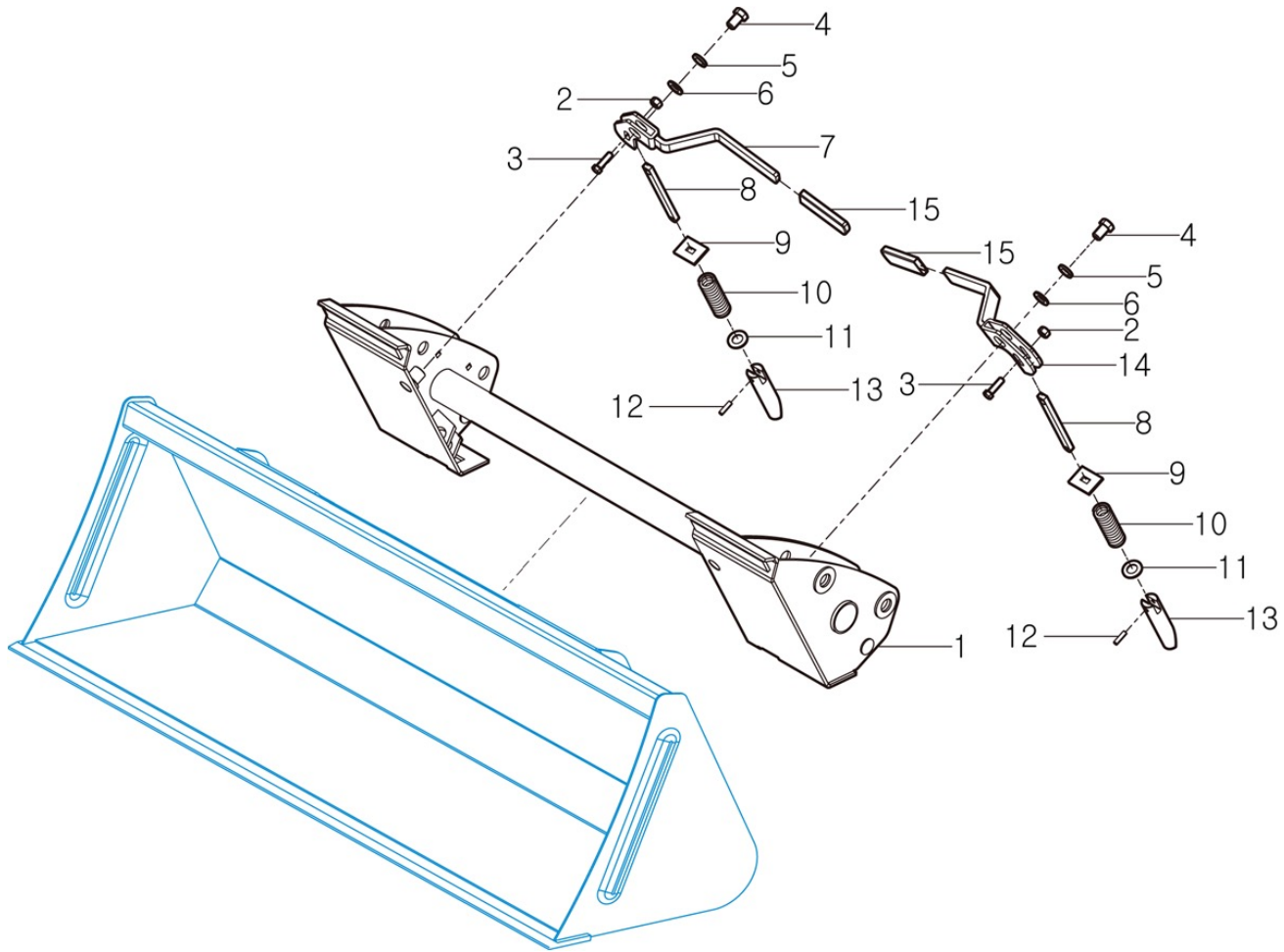




FIG 003

TX57

# MOUNTING FRAME ASS'Y

P1

Year / Month

2019 / 04

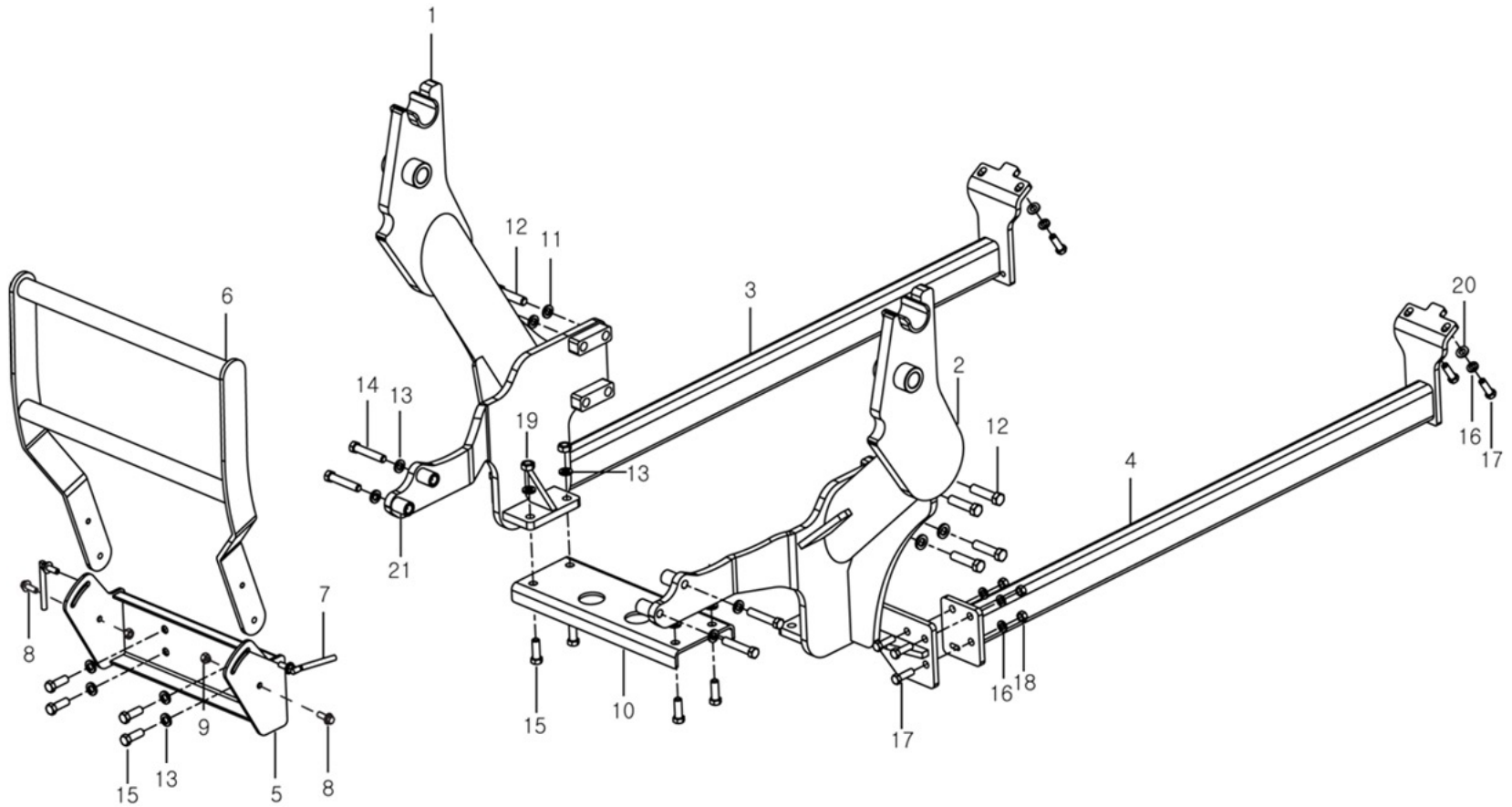




FIG 004

TX57

# BOOM ASS'Y

P1

Year / Month

2019 / 04

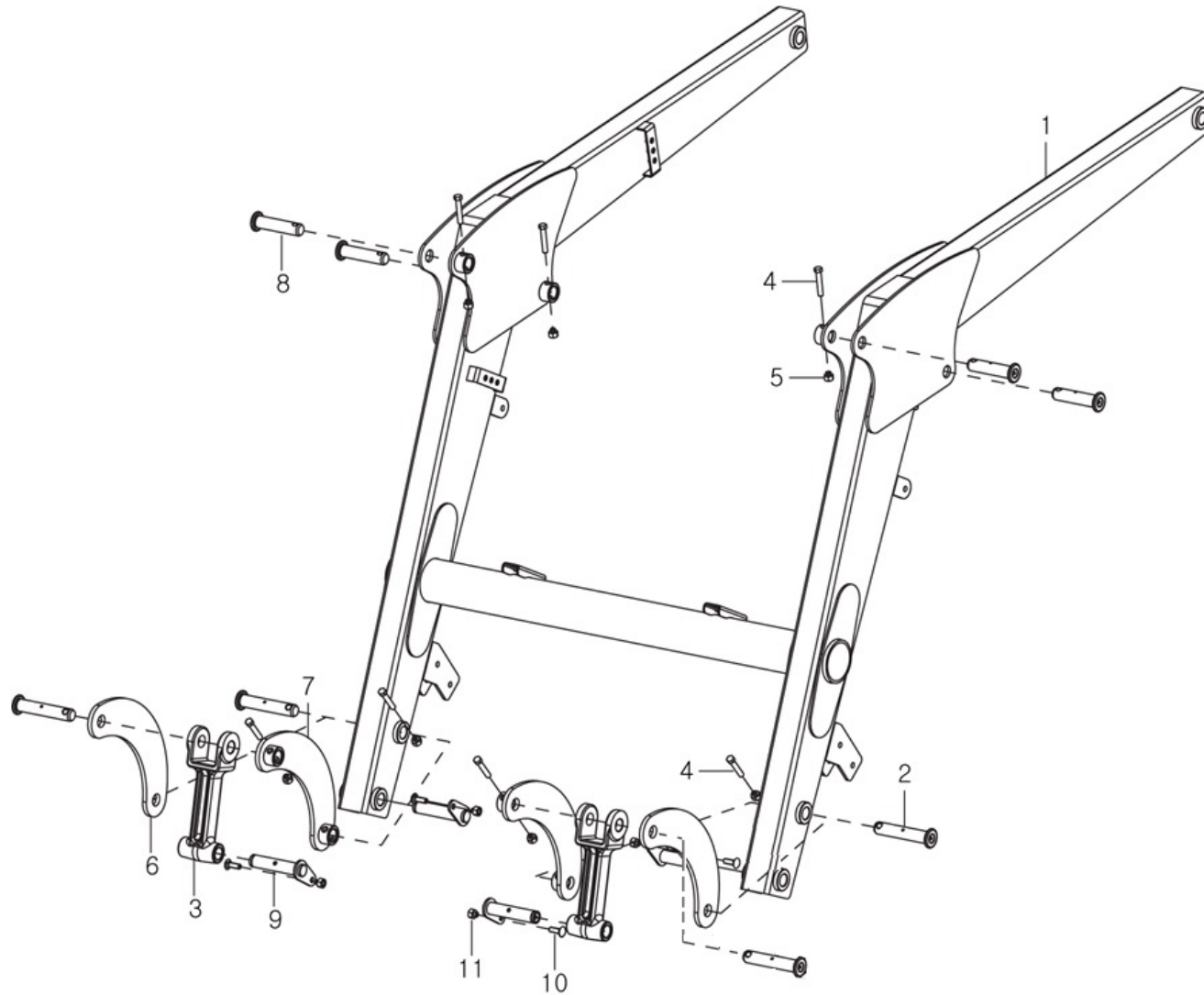






FIG 005

TX57

# POST ASSEMBLY

P1

Year / Month

2019 / 04

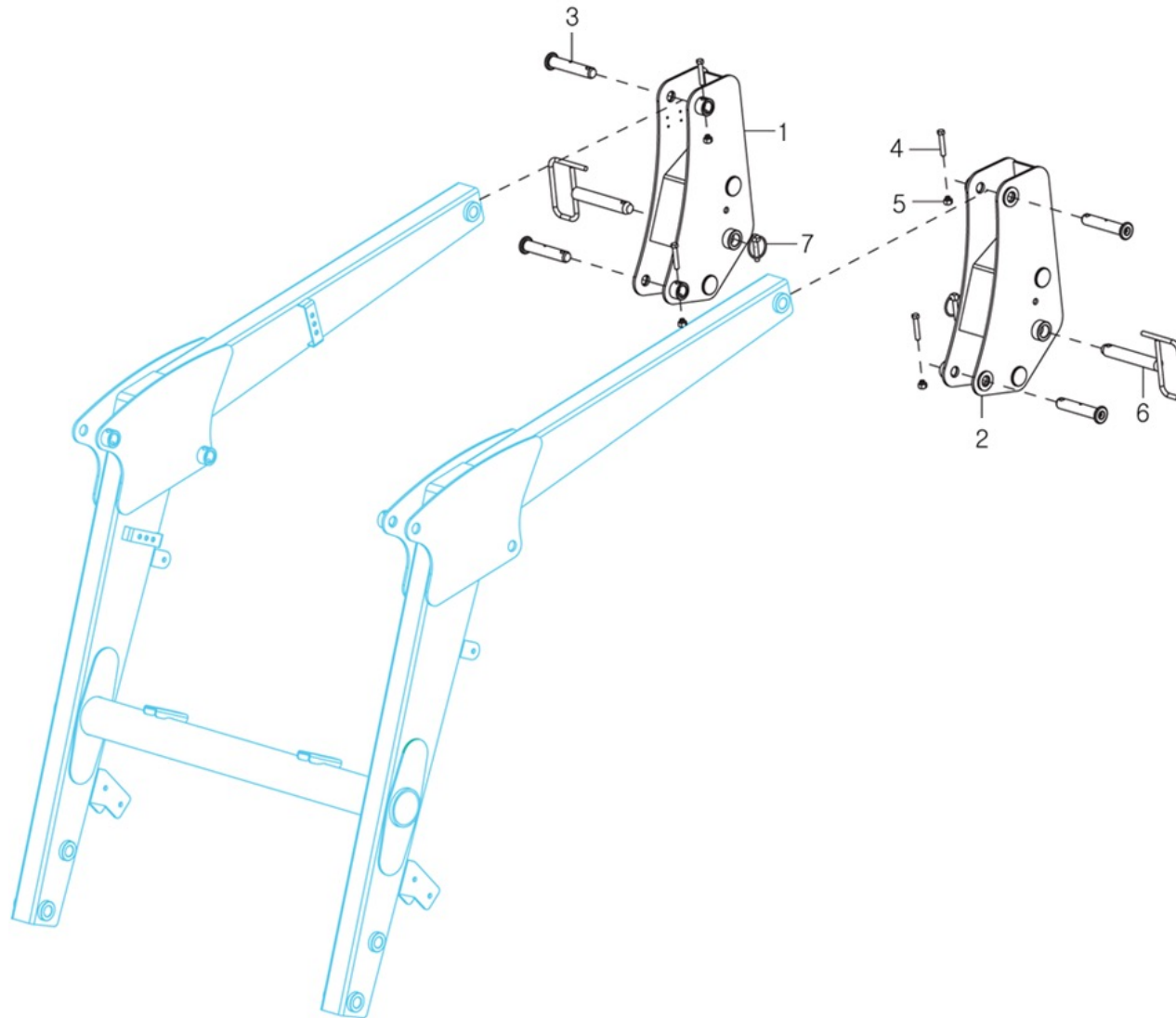




FIG 006

TX57

# STAND & SAFETY BAR

P1

Year / Month

2019 / 04

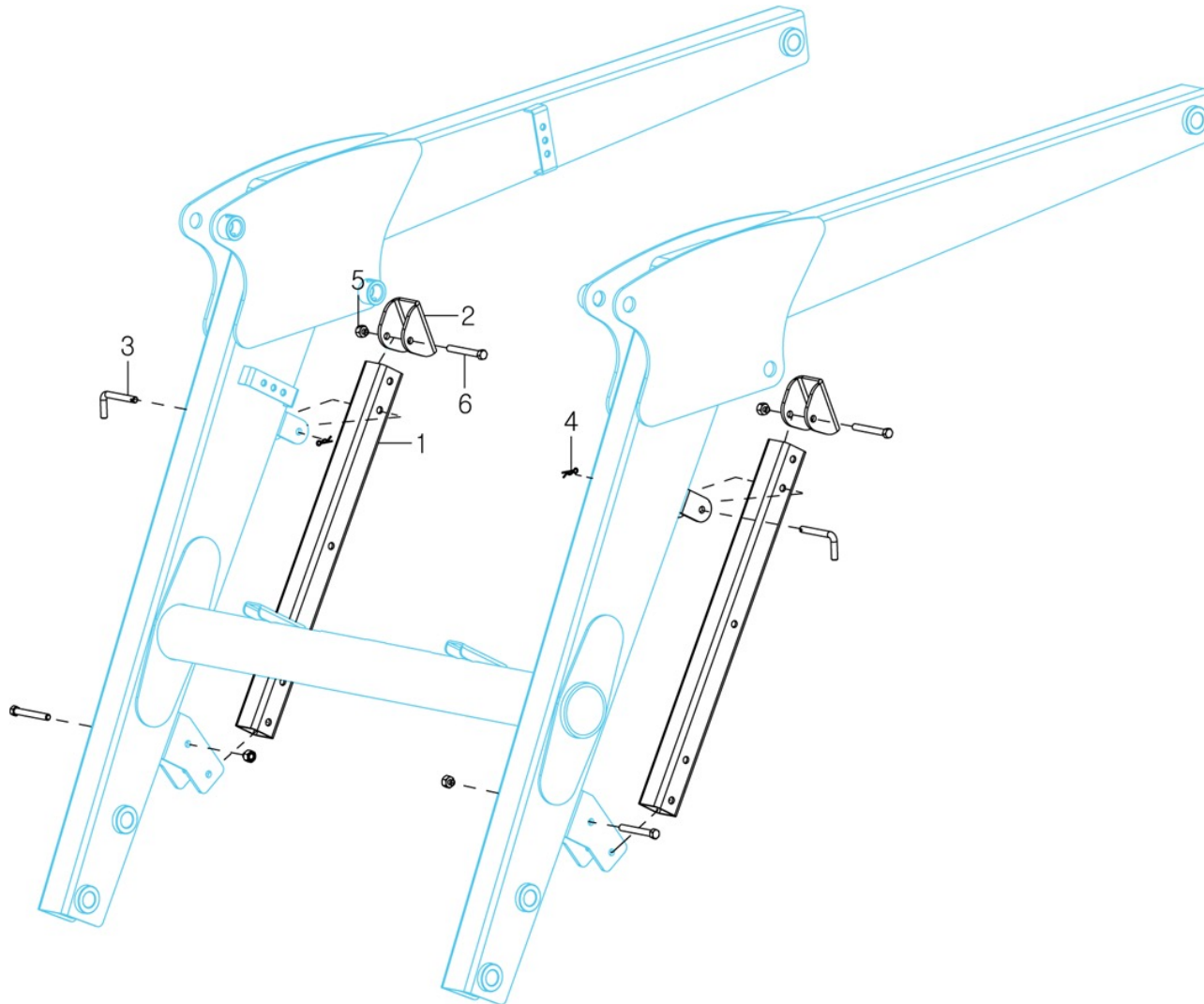




FIG 007

TX57

# LOADER VALVE

P1

Year / Month

2019 / 04



## Loader V/V

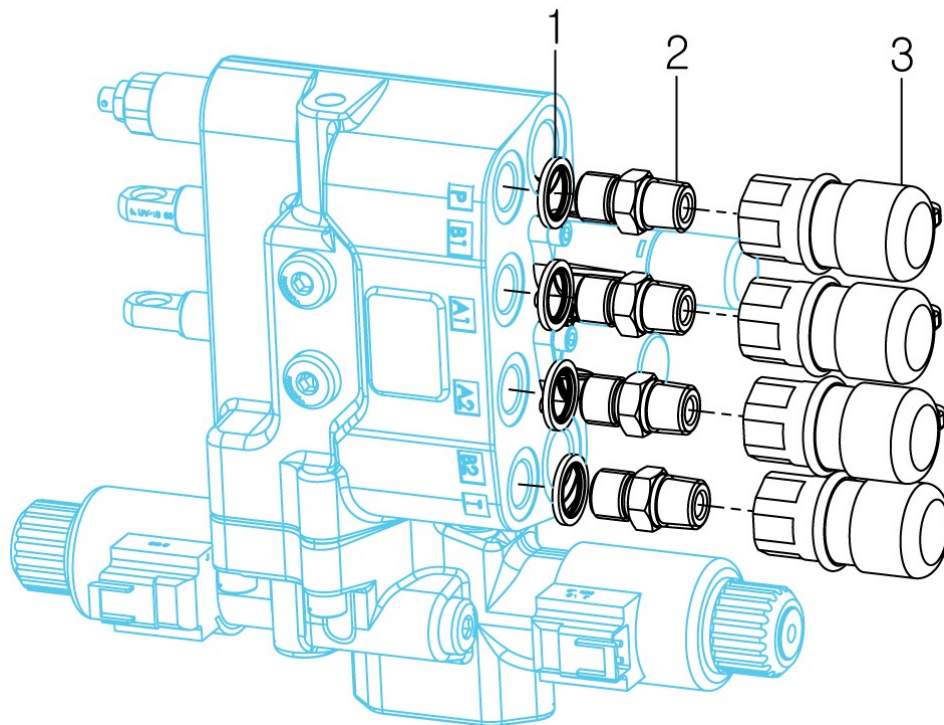




FIG 008

TX57

# HYDRAULIC PIPING ASSEMBLY

P1

Year / Month

2019 / 04

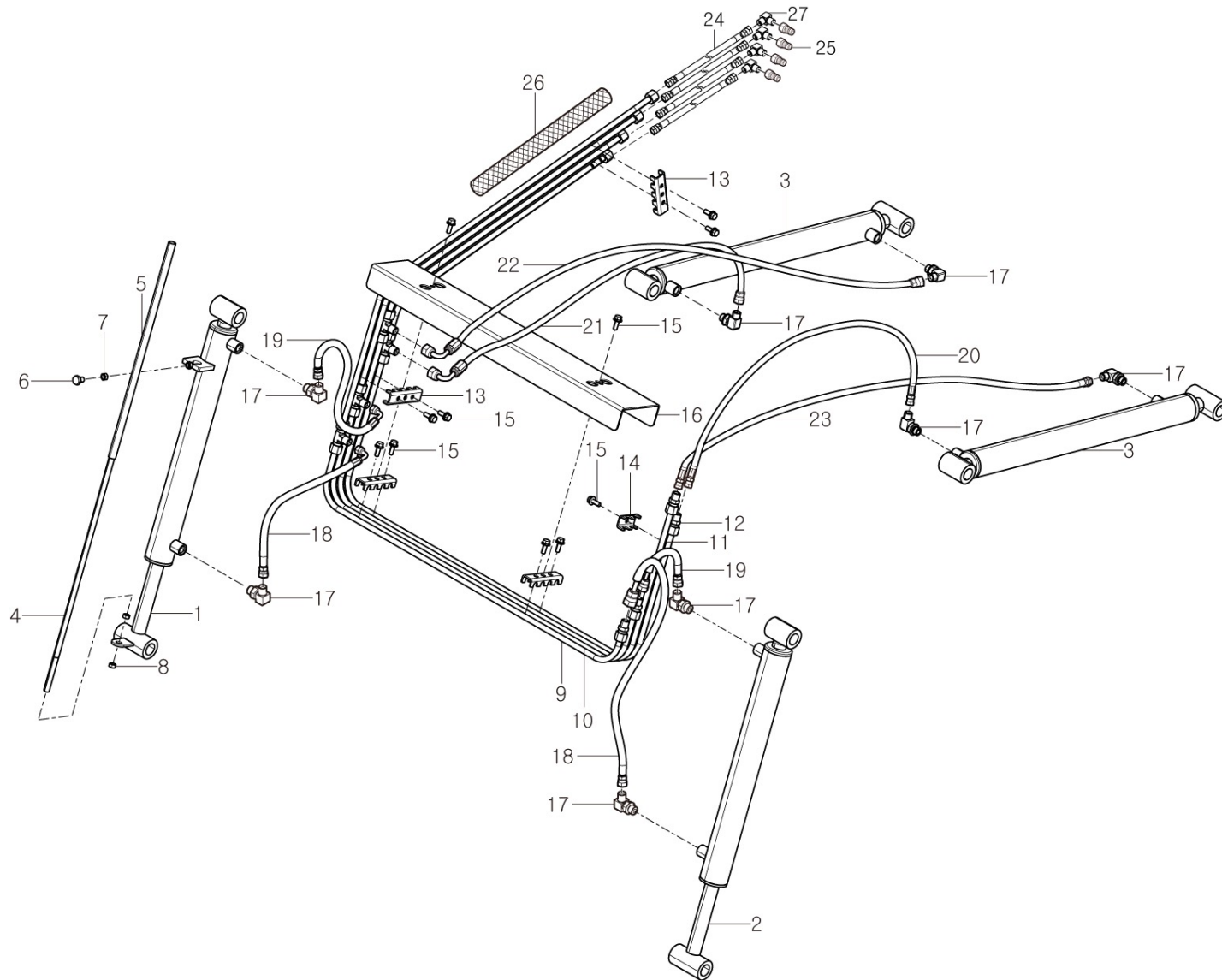



FIG 008		HYDRAULIC PIPING ASSEMBLY			P1	Year/Month 2019/04	
KEY NO.	PART NO.	DESCRIPTION	SPEC.	QTY.	EFFECTIVE DATE	REMARKS	
008	001	85253001000GB	CYLINDER ASSY , BUCKET LH		1		
008	002	85253002000GB	CYLINDER ASSY , BUCKET RH		1		
008	003	86763003000GB	CYLINDER ASSY , BOOM		2		
008	004	86003000292	STUD , BUCKET	D12	1		
008	005	86603000301	GUIDE , BUCKET	D15.9X1.6T	1		
008	006	V2013610030	BOLT , HEX	M10X30	1		
008	007	V3043600100	NUT , HEX	M10	1		
008	008	V3043600120	NUT , HEX	M12	2		
008	009	85253009000	PIPE ASSY , BUCKET RALLBACK		1		
008	010	85253008000	PIPE ASSY , BUCKET DUMP				
008	011	85253007000	PIPE ASSY , BOOM DOWN		1		
008	012	85253006000	PIPE ASSY , BOOM UP				
008	013	86502000060	BRACKET B	3.2T	4		
008	014	86502000070	BRACKET C	3.2T	1		
008	015	V2183608040	BOLT , HEX	M8X40	11		
008	016	86803009010SR	COVER , PIPE		1		
008	017	36313530021	ADAPTOR		8		
008	018	86003004010	HOSE ASSY , 390 90° HYD	PF3/8	2		
008	019	86003004020	HOSE ASSY , 450 90° HYD	PF3/8	2		
008	020	86503000360	HOSE ASSY , 510 90° HYD	PF3/8	1		
008	021	86403000371	HOSE ASSY , 670 90° HYD	PF3/8	1		
008	022	86003004051	HOSE ASSY , 980 90° HYD	PF3/8	1		
008	023	86003004072	HOSE ASSY , 1000	PF3/8	1		
008	024	81113009910	HYD. HOSE 1550	PF3/8-M18	4		
008	025	V7740010601	NIPPLE	PT3/8	4		
008	026	85813000450	HOSE COVER	L=1000	1		
008	027	16751850222	ELBOW , PF3/8-PT3/8		4		



FIG 009

TX57

# 3RD FUNCTION PIPE KIT

P1

Year / Month

2019 / 04

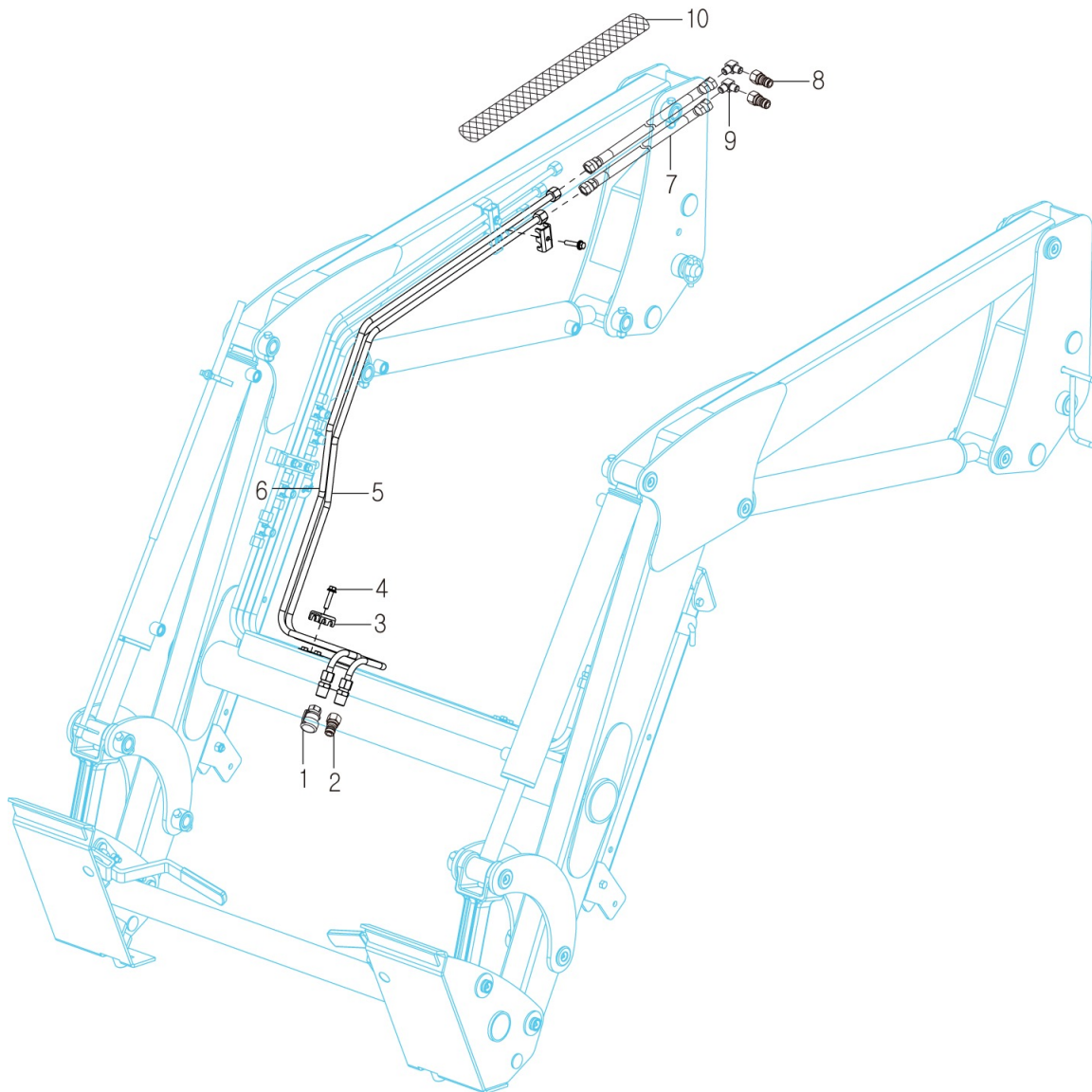




FIG 010

TX57

# DECAL

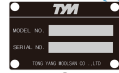
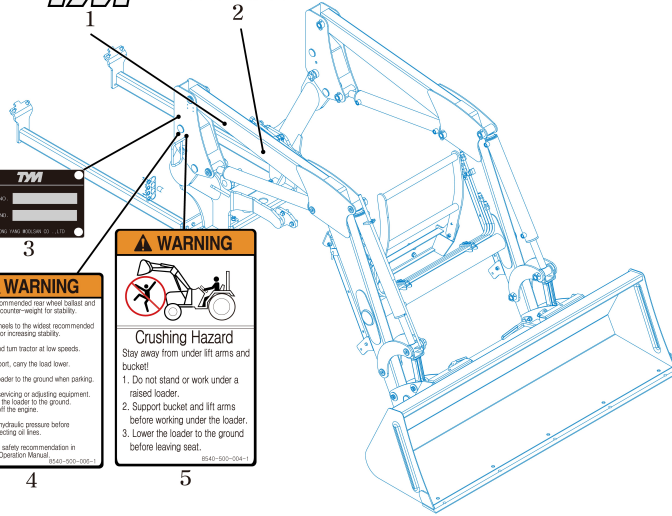
P1

Year / Month

2019 / 04



## TM TX57



3

**WARNING**

1. Add recommended rear wheel ballast and/or rear counter-weight for stability.
2. Move wheels to the widest recommended setting for increasing stability.
3. Move and turn tractor at low speeds.
4. In transport, carry the load low.
5. Lower loader to the ground when parking.
6. Before servicing or adjusting equipment:
  - Lower the loader to the ground.
  - Shut off the engine.
7. Relieve hydraulic pressure before disconnecting or lines.
8. Observe safety recommendation in Loader Operation Manual. (8441-000-000-1)

4

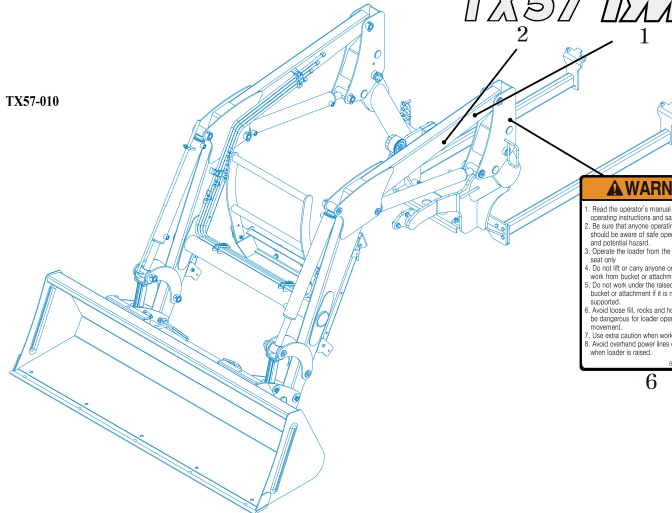
**WARNING**

**Crushing Hazard**  
Stay away from under lift arms and bucket!

1. Do not stand or work under a raised loader.
2. Support bucket and lift arms before working under the loader.
3. Lower the loader to the ground before leaving seat.

5

## TX57 TM



TX57-010

**WARNING**

1. Read the operator's manual for complete operating instructions and safety.
2. Be sure that anyone operating the loader knows the basics of safe operating practices and potential hazard.
3. Operate the loader from the operator's seat only.
4. Do not lift or carry anyone on the loader or work from bucket or attachment.
5. Do not work under the raised loader, bucket or attachment if it is not securely supported.
6. Avoid loose fit, rocks and holes; these can be dangerous for loader operation or movement.
7. Use extra caution when working on steep hills.
8. Avoid overhead power lines or obstacles when loader is raised.

6

**WARNING**

NEVER USE FRONT END LOADER FOR TOWING OPERATIONS.

7

**DANGER**

INSTALL SAFETY PROP BEFORE WORKING UNDER RAISED STRUCTURE

8

